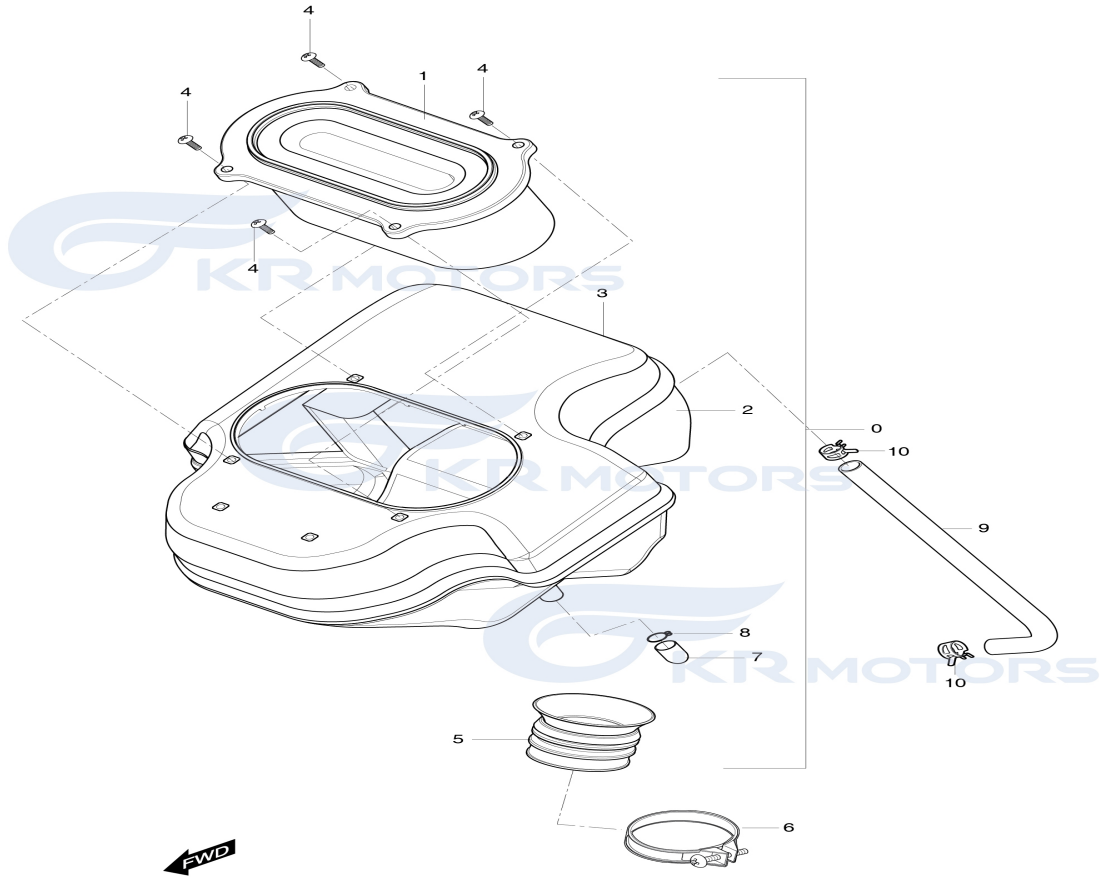
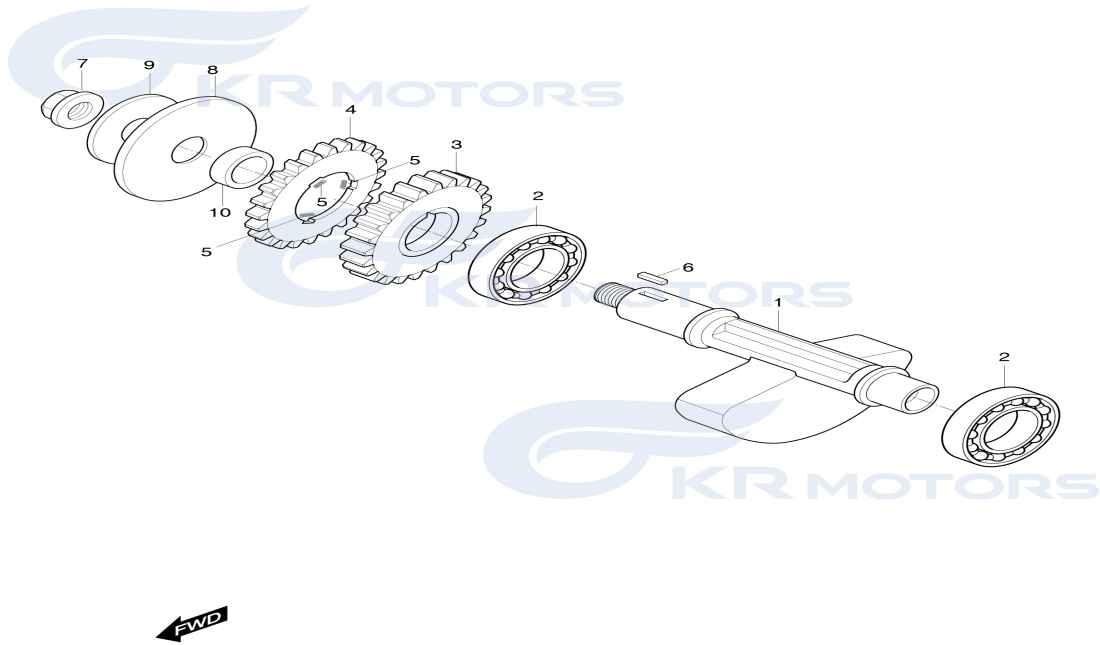


FIG 11



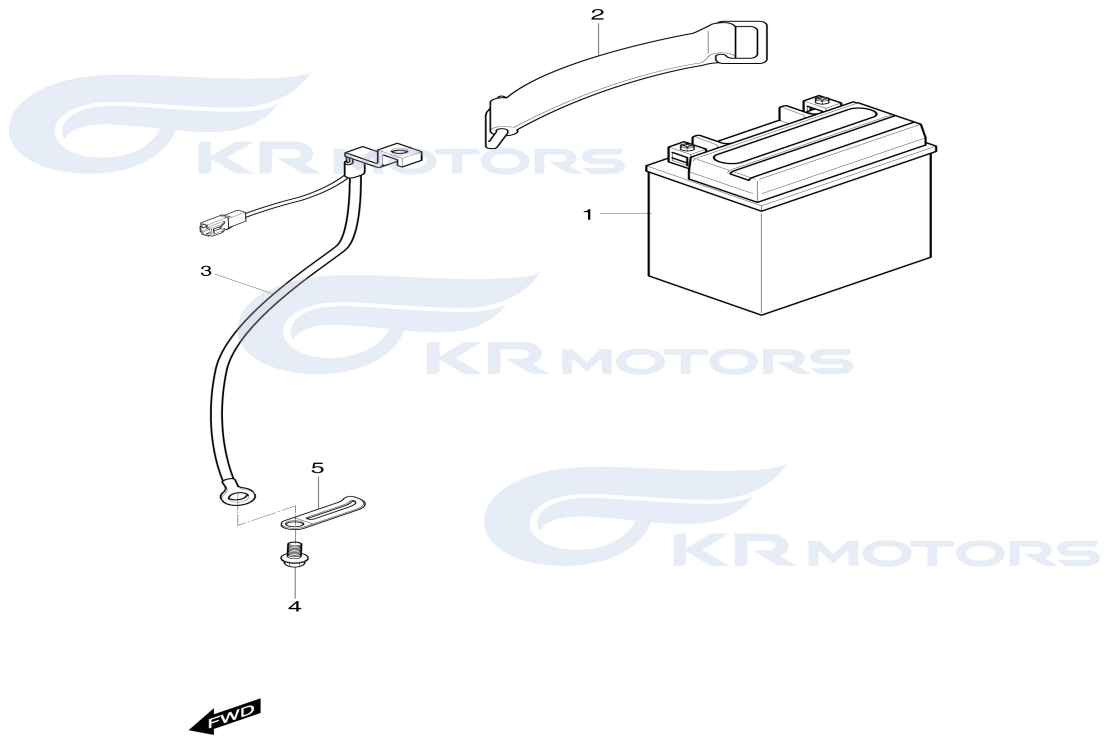
SEQ	PART CODE	PART NAME	U/S	REMARK
0	13700HC8100	CLEANER ASSY, AIR (GD250N)	1	
1	13780HC8100	FILTER COMP, AIR CLEANER	1	
4	02142-05165	SCREW,HANDLE COVER NO1	4	
5	13881HC8100	TUBE, OUTLET(NEED BONDING)	1	
6	09402-52207	CLAMP (X100)	1	
7	13895HF4500	PLUG	1	
8	09401-14301	CLIP	1	

FIG 6-1



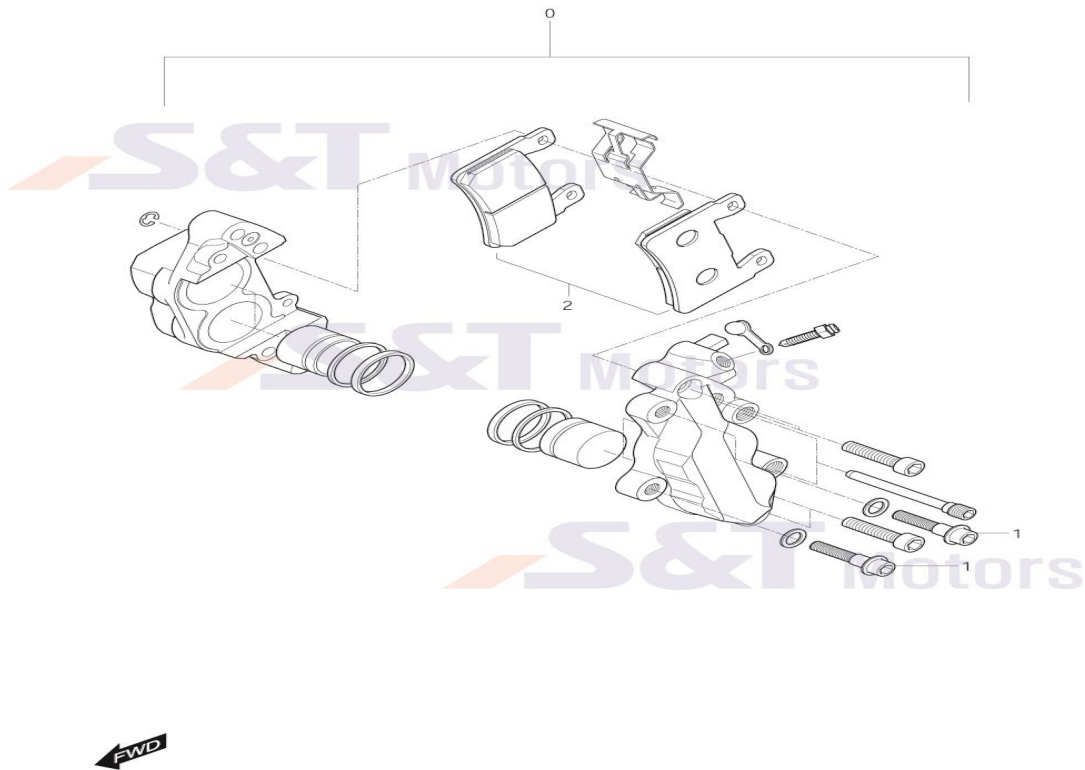
SEQ	PART CODE	PART NAME	U/S	REMARK
1	12651HC8111	BALANCER, CRANK	1	KM4NF46C3F1101479~(2014.06.13~) =12651HC8100
2	08113-63030	BEARING,DRIVE SHAFT	2	
3	12666HC8100	GEAR, BALANCER DRIVEN (GD250N)	1	
4	12667HC8100	GR,CRANK BALANCER DRIVEN (GD2)	1	=12667HP8800
5	21114HC8100	SPRING, BALANCER DRIVEN(GD250N)	3	
6	09421H04005	KEY BALANCER SHAFT (GD250N)	1	
7	08316-26128	NUT,MAGNET FLY	1	
8	09160H12005	WASHER,CRANK BALANCER (MS3)	1	
9	09164-12016	WASHER,CLUTCH ASS'Y	1	
10	09180H17006	SPCR,CRANK BALANCER DRI (MS3)	1	

FIG 20



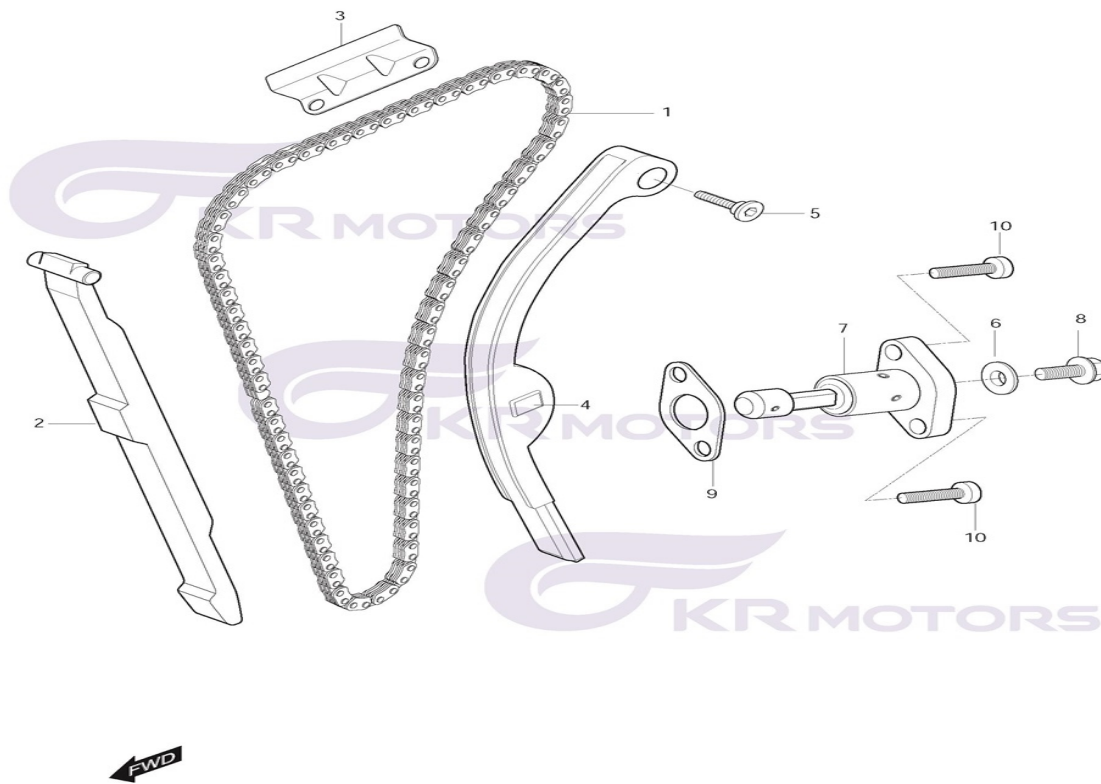
SEQ	PART CODE	PART NAME	U/S	REMARK
1	33610HP8800KOR	BATTERY ASS'Y(12V 10AH)(GT250R	1	
2	09462H00009	BAND BATTERY (RX)	1	
3	33860HC8100	LEAD WIRE, BATT MINUS(GD250N)	1	
4	01547-06148	BOLT,BRACKET PILLION (GA)	1	
5	09404-06401	CLAMP,OIL HOSE	1	

FIG 39



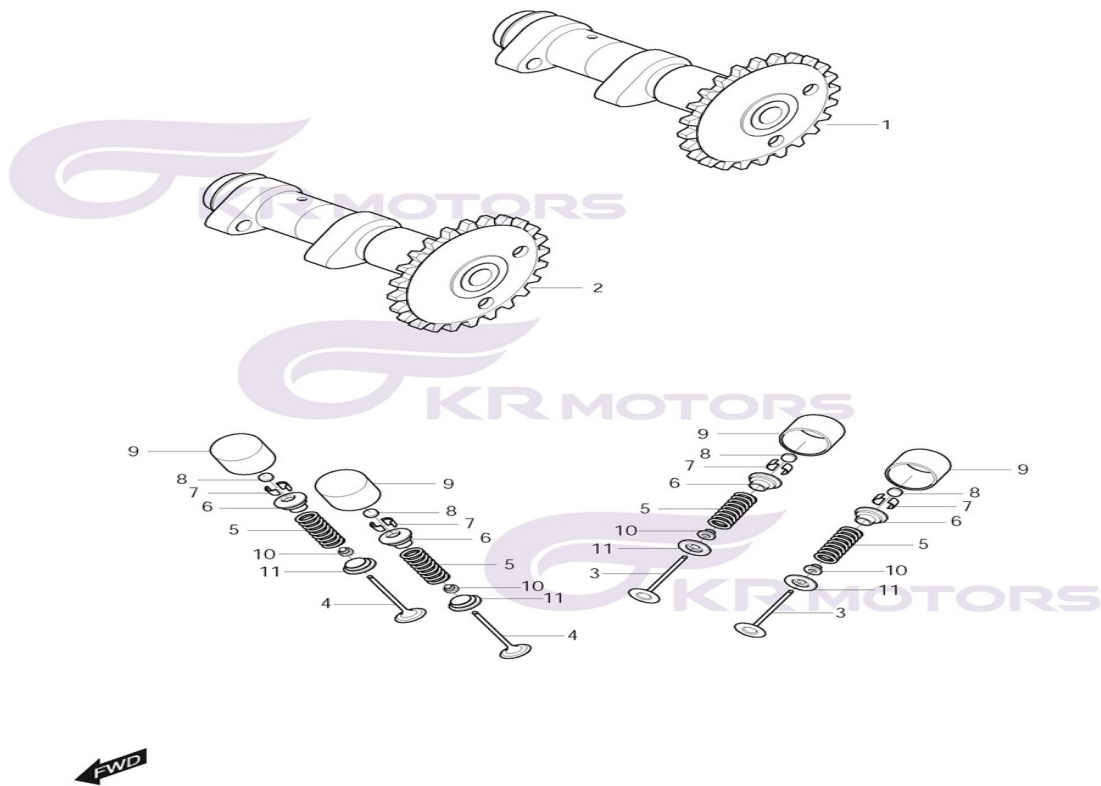
SEQ	PART CODE	PART NAME	U/S	REMARK
0	59300H99701HPA	FRONT CALIPER+PAD SET (GT650P)	1	
1	07120-08358	BOLT,CALIPER (GV650)	2	
2	59301H99700	PAD SET (GT650N)	1	

FIG 9



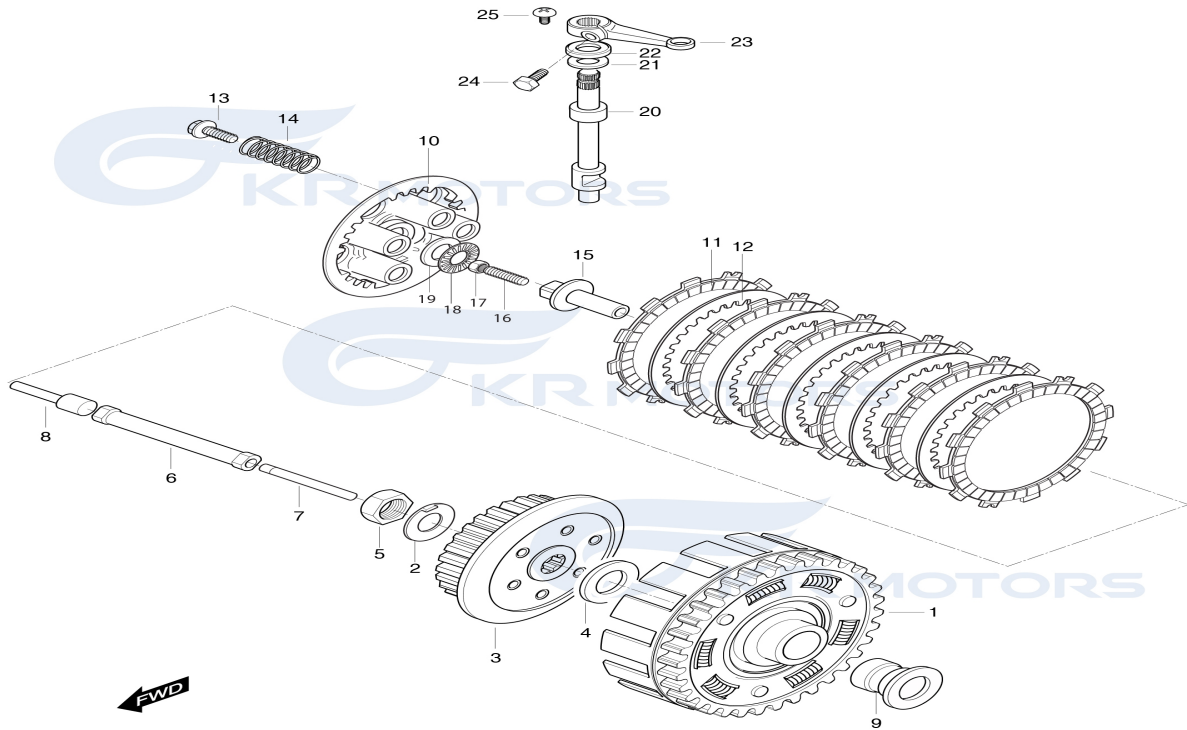
SEQ	PART CODE	PART NAME	U/S	REMARK
1	12760HP8800	CHAIN,CAM SHAFT DRIVE(MS3-250)	1	
2	12771HC8100	GUIDE, CAM CHAIN NO.1 (GD250N)	1	
3	12782HP7600	GUIDE,CAM CHAIN NO.2 (MS3)	1	
4	12811HC8100	TENSIONER, CAM CHAIN (GD250N)	1	
5	12812HP7600	BOLT,CAM CHAIN TENSIONER (MS3)	1	
6	09161H11008	WASHER,CYLINDER HEAD COVER(GD)	1	
7	12830H98A00	ADJUSTER ASS'Y, TENSIONER	1	
8	12839HN9120	SCREW,TENSIONER ADJUSTER(GT250)	1	
9	12837HP7600	GASKET,TENSIONER ADJUSTER (GT)	1	
10	07110-06208	BOLT,FRONT FENDER LH (GD,GA-F)	2	

FIG 8



SEQ	PART CODE	PART NAME	U/S	REMARK
1	12710HC8100HPA	CAMSHAFT ASS'Y,INTAKE (GD250N)	1	
2	12720HC8101HPA	CAMSHAFT EXHAUST ASS'Y(GD250N)	1	
3	12911HP8800	VALVE,INTAKE (MS3)	2	
4	12912HP8800	VALVE,EXHAUST (MS3)	2	
5	12921HC8100	SPRING, VALVE (GD250N)	4	
6	12931HJ8200	RETAINER,VALVE SPRING (GV250)	4	
7	12932HJ8200	COTTER,VALVE (GV250)	8	
8	12892-05C00170	SHIM TAPPET (GD)	4	
9	12881H88400	TAPPET (GV250N)	4	
10	09289H04002	SEAL,VALVE STEM OIL (GV250)	4	
11	12933HJ8200	SEAT,VALVE SPRING (GV250)	4	

FIG 15

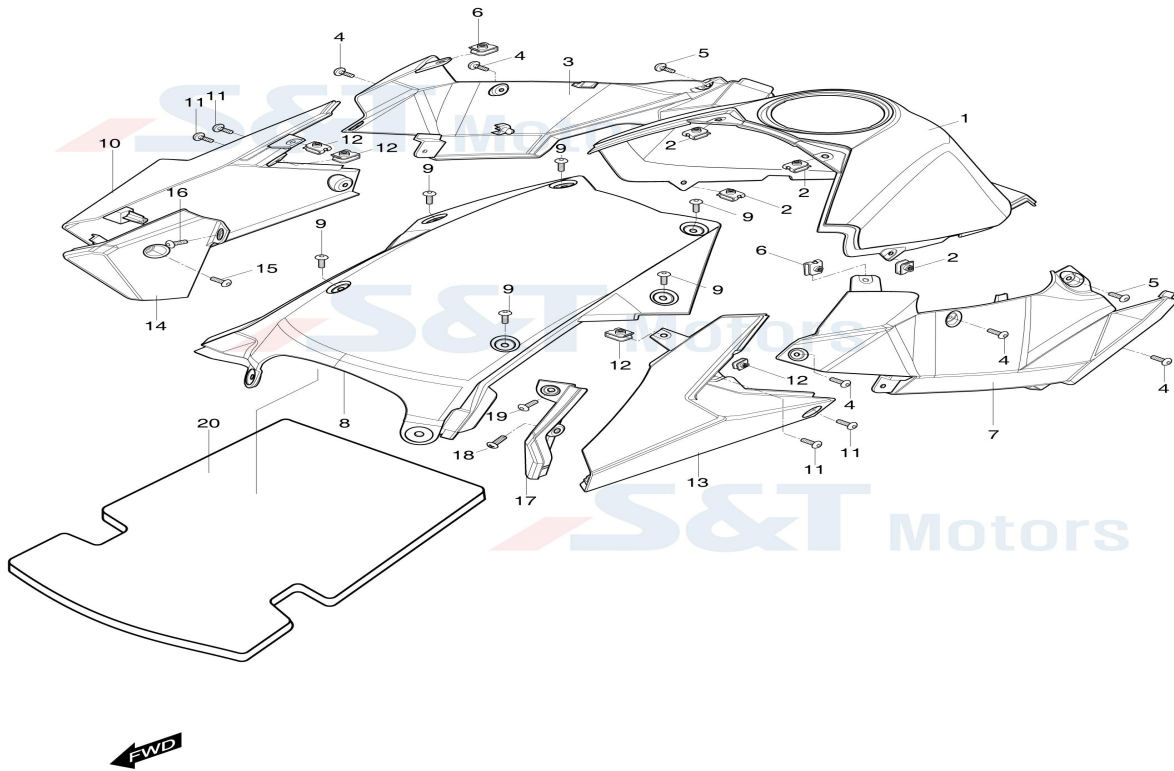


SEQ	PART CODE	PART NAME	U/S	REMARK
1	21210HC8100HPA	GEAR ASSY,PRIMARY DRIVEN	1	
2	09169H16001	LOCK WASHER,CLUTCH SLEEVE(GV25	1	
3	21411HC8100	HUB, CLUTCH SLEEVE (GD250N)	1	
4	09160H20003	WASH,PRIMARY DRIVEN GR (GT650)	1	
5	09140-16014	NUT,CLUTCH SLEEVE	1	
6	23110HJ8202	ROD COMP,CLUTCH PUSH (GT250)	1	
7	23113HJ8200	ROD,CLUTCH PUSH R (GV250)	1	
8	23115HN9100	ROD,CLUTCH PUSH NO.2 (GT650)	1	
9	21251H13E00	SPACER PRIM DRVN GEAR (125CC	1	
10	21462HJ8201	DISK,CLUTCH PRESSURE (GV250)	1	
11	21441HJ8201	PLATE,CLUTCH DRIVE (GV250)	6	
12	21451HJ8201	PLATE,CLUTCH DRIVEN (GV250)	5	
13	09116H05001	BOLT,CLUTCH SPRING 5*20(GV250)	5	
14	09440H16003	SPRING,CLUTCH (GV250)	5	
15	23121-38201	PIECE CLUTCH PUSH (GD)	1	
16	09134-06010	SCREW,CLUTCH RELEASE	1	
17	08310-22068	NUT,UNIT&COIL (GV650)	1	

18	09263H15001	BEARING,CLUTCH RELEASE	1
19	09160-15015	THRUST WASHER,CLUTCH RELEASE	1
20	23122HG5100	SHAFT,CLUTCH RELEASE CAM (GV)	1
21	08211-10201	THRUST WASHER,CLUTCH RELEASE	1
22	09282-10007	OIL SEAL,CLUTCH RELEASE CAM	1
23	23271HJ8250	ARM,CLUTCH RELEASE (GV250- KEU	1
24	01107-06168	BOLT,RELEASE ARM (GT250RN)	1
25	02142-06108	SCREW,KICK STARTER	1



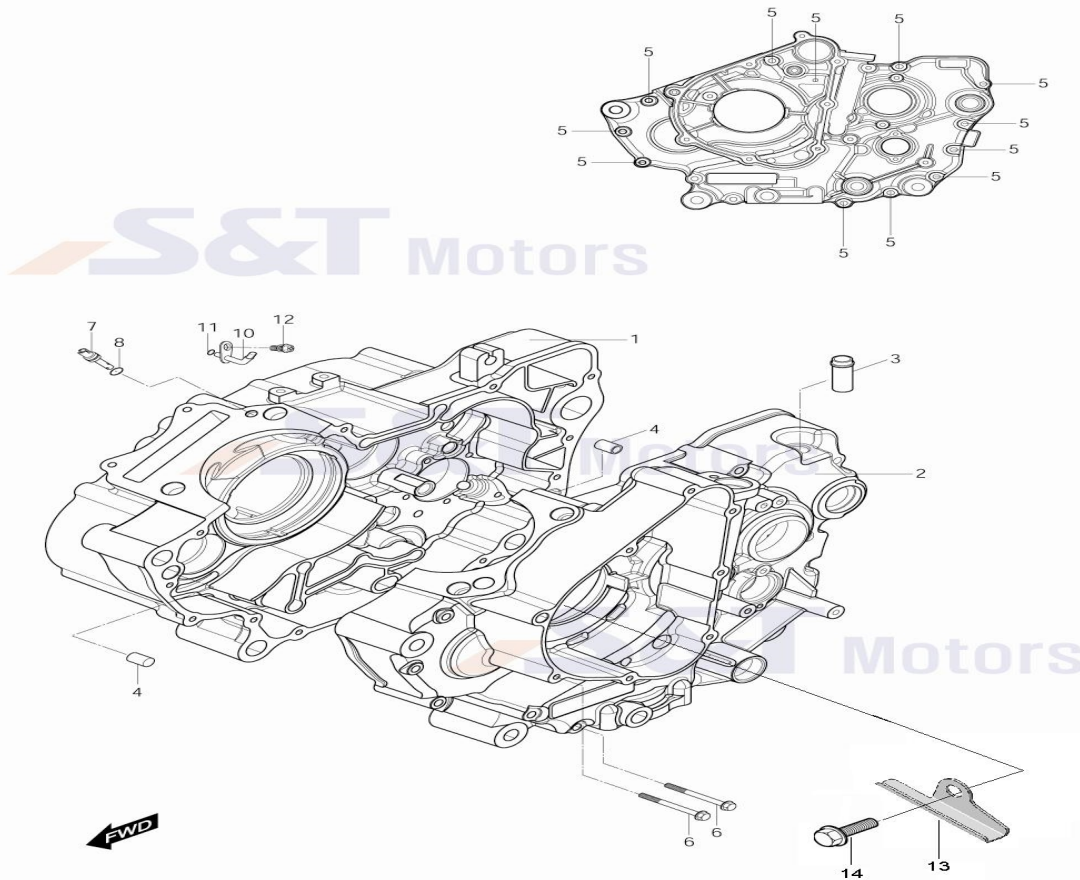
FIG 35



SEQ	PART CODE	PART NAME	U/S	REMARK
1-1	94411HC8100CBK	COVER, F/TANK CENTER (GD250N)	1	MY14, COLOR: SBK / MY15, COLOR: LG, WP
1-2	94411HC8100CVB	COVER, F/TANK CENTER (GD250N)	1	MY14, COLOR:VB
1-3	94411HC8100CVM	COVER, F/TANK CENTER (GD250N)	1	MY14, COLOR:VM
1-4	94411HC8100CWP	COVER, F/TANK CENTER (GD250N)	1	MY14, COLOR:WP
1-5	94411HC8100CDR	COVER, F/TANK CENTER (GD250N)	1	MY15, COLOR:DR
2	09148H05030	NUT,SIDE COVER (GT)	4	
3	94421HC8100SST	COVER, FUEL TANK R (GD250N)	1	MY14, =94421HC8100CST
3-1	94421HC8100CLG	COVER, FUEL TANK R (GD250R)	1	MY15, COLOR: DR, LG
3-2	94421HC8100CWP	COVER, FUEL TANK R (GD250R)	1	MY15, COLOR: WP
4	09106H05120	SCREW, SIDE COVER R & UNDER	6	
5	09106H06150	WRENCH BOLT 6*15MM (GT650)	2	
6	09148H05030	NUT,SIDE COVER (GT)	2	
7	94431HC8100SST	COVER, FUEL TANK L (GD250N)	1	MY14, =94421HC8100CST
7-1	94431HC8100CLG	COVER, FUEL TANK L (GD250R)	1	MY15, COLOR: DR, LG
7-2	94431HC8100CWP	COVER, FUEL TANK L (GD250R)	1	MY15, COLOR: WP
8-1	94441HC8100CBK	COVER, FRONT CENTER (GD250N)	1	MY14, COLOR: SBK / MY15, COLOR: LG, WP
8-2	94441HC8100CVB	COVER, FRONT CENTER (GD250N)	1	MY14, COLOR:VB

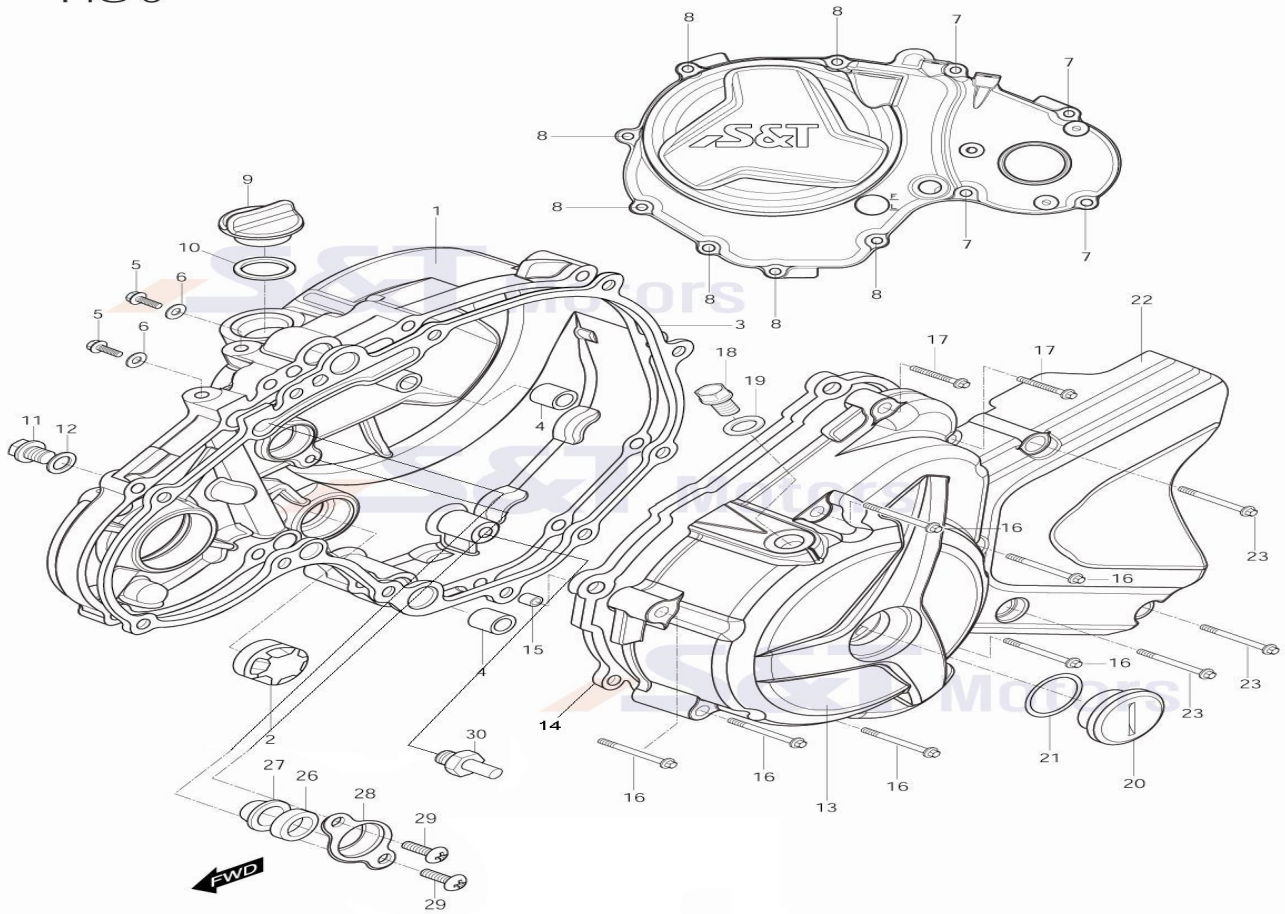
8-3	94441HC8100CVM	COVER, FRONT CENTER (GD250N)	1 MY14, COLOR:VM
8-4	94441HC8100CWP	COVER, FRONT CENTER (GD250N)	1 MY14, COLOR:WP
8-5	94441HC8100CDR	COVER, FRONT CENTER (GD250N)	1 MY15, COLOR:DR
9	09106H05120	SCREW, SIDE COVER R & UNDER	6
10-1	94451HC8100CBK	COVER, FRONT R (GD250N)	1 MY14, COLOR: SBK
10-1-1	68130HC8100363	EMBLEM, EXIV 250 (GD250N)	1
10-2	94451HC8100CVB	COVER, FRONT R (GD250N)	1 MY14, COLOR:VB
10-2-1	68130HC810003P	EMBLEM, EXIV 250 (GD250N)	1
10-3	94451HC8100CVM	COVER, FRONT R (GD250N)	1 MY14, COLOR:VM
10-3-1	68130HC810003P	EMBLEM, EXIV 250 (GD250N)	1
10-4	94451HC8100CWP	COVER, FRONT R (GD250N)	1 MY14, MY15, COLOR: WP
10-4-1	68130HC810010R	EMBLEM, EXIV 250 (GD250N)	1 MY14, COLOR: WP
10-4-2	68130HC8100EV1	EMBLEM, EXIV 250 (GD250N)	1 MY15, COLOR: WP
10-5	94451HC8100CLG	COVER, FRONT R (GD250N)	1 MY15, COLOR: DR, LG
10-5-1	68130HC8100EV2	EMBLEM, EXIV 250 (GD250N)	1 MY15, COLOR: DR, LG
11	09106H06150	WRENCH BOLT 6*15MM (GT650)	2
12	09148H05030	NUT,SIDE COVER (GT)	4
13-1	94461HC8100CBK	COVER, FRONT L (GD250N)	1 MY14, COLOR: SBK
13-1-1	68130HC8100363	EMBLEM, EXIV 250 (GD250N)	1
13-2	94461HC8100CVB	COVER, FRONT L (GD250N)	1 MY14, COLOR:VB
13-2-1	68130HC810003P	EMBLEM, EXIV 250 (GD250N)	1
13-3	94461HC8100CVM	COVER, FRONT L (GD250N)	1 MY14, COLOR:VM
13-3-1	68130HC810003P	EMBLEM, EXIV 250 (GD250N)	1
13-4	94461HC8100CWP	COVER, FRONT L (GD250N)	1 MY14, MY15, COLOR: WP
13-4-1	68130HC810010R	EMBLEM, EXIV 250 (GD250N)	1 MY14, COLOR: WP
13-4-2	68130HC8100EV1	EMBLEM, EXIV 250 (GD250N)	1 MY15, COLOR: WP
13-5	94461HC8100CLG	COVER, FRONT L (GD250N)	1 MY15, COLOR: DR, LG
13-5-1	68130HC8100EV2	EMBLEM, EXIV 250 (GD250N)	1 MY15, COLOR: DR, LG
14	94452HC8100	COVER, FRONT INNER R (GD250N)	1
15	03241-05125	SCREW LOWER COVER CENT (EZ,	1
16	09106H05120	SCREW, SIDE COVER R & UNDER	1
17	94462HC8100	COVER, FRONT INNER L (GD250N)	1
18	03241-05125	SCREW LOWER COVER CENT (EZ,	1
19	09106H05120	SCREW, SIDE COVER R & UNDER	1
20	94612HC8100	CUSHION, FRONT CENTER COVER	1

FIG 4



SEQ	PART CODE	PART NAME	U/S	REMARK
0	11300HC8100HPA	CRANK CASE SET (GD250N)	1	
1	11310HC8100HPA	CRANK CASE R ASS'Y (GD250N)	1	PLUG + BEARING 4
2	11320HC8100HPA	CRANK CASE L ASS'Y (GD250N)	1	HOOK + UNION + BEARING 4
3	09364-12001	UNION,BREATHER HOSE	1	
4	04213-13189	PIN,CRANK CASE (GT&GV)	2	
5	01547-06558	BOLT,CRANK CASE	12	
6	01547-06808	BOLT,CRANKCASE (GD)	2	
7	11411HN9100	JET,OIL (GT650)	1	
8	09280H04001	O-RING,OIL JET (GT650)	1	
9	09223-04001	HOOK,GEAR SHIFT CAM	1	
10	11430HC8100	JET COMP, PISTON OIL	1	
11	09280H04001	O-RING,OIL JET (GT650)	1	
12	02112-05105	SCREW,FRONT FORK COVER	1	
13	24811HC8100	PLATE, OIL GUIDE (GD250N)	1	
14	01547-06148	BOLT,BRACKET PILLION (GA)	1	

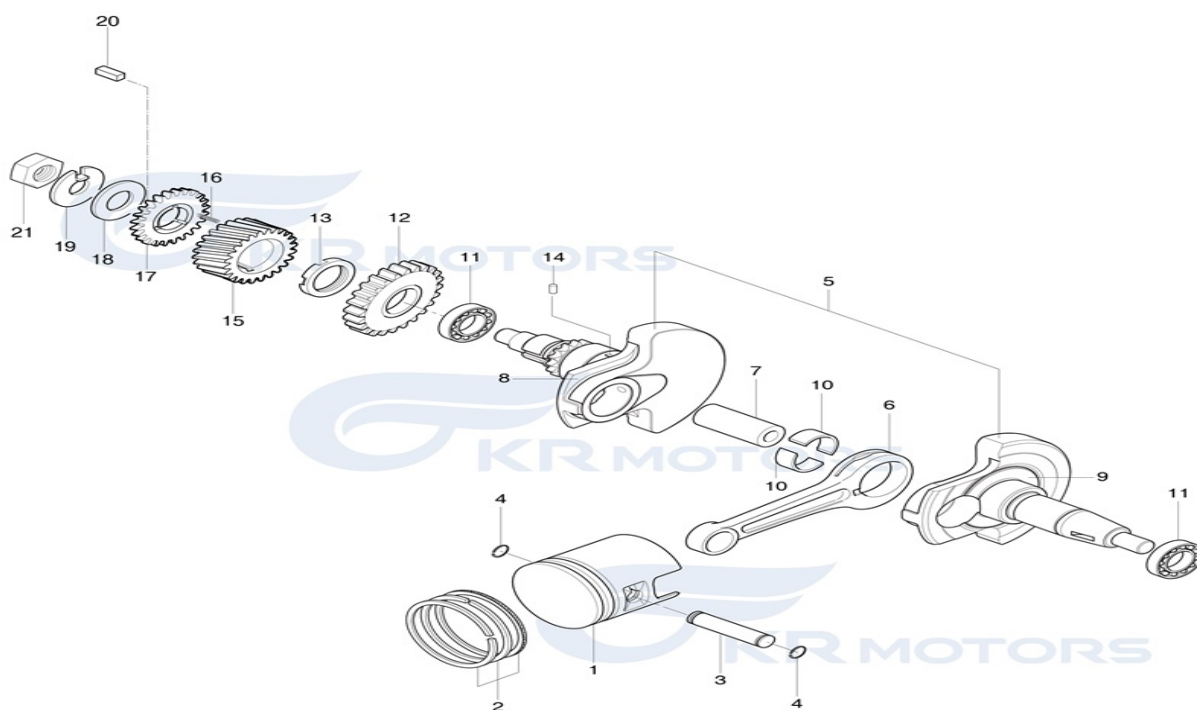
FIG 5



SEQ	PART CODE	PART NAME	U/S	REMARK
1	11341HC8102HPA	COVER COMP,CLUTCH (GD250R)	1	"KR" 8.29.2014~, KM4NF46D1F1100002 = 11341HC8101HPA "S&T"
2	11971-45010	LENS,OIL LEVEL (TN,RG,GS)	1	
3	11482HC8100	GASKET, CLUTCH COVER (GD250N)	1	
4	04213-13189	PIN,CRANK CASE (GT&GV)	2	
5	01517-06128	BOLT,OIL DRAIN	2	
6	09168H06019	GASKET,OIL GALLEY BOLT (GV)	2	
7	01547-06258	BOLT,INTAKE HEAD (GV650)	4	
8	01547-06358	BOLT,MAGET&SPROCKET COV	7	
9	09259-20012121	PLUG,ENGINE OIL FILTER (GD)	1	
10	09280-17003	O/RING,ENGINE OIL FILTER	1	
11	09247-14026	PLUG,BOLT	1	
12	09168H14003	GASKET,OIL CHECK PLUG (SB)	1	
13	11351HC8100121	COVER, MAGNETO (GD250N)	1	
14	11483HC8100	GASKET, MAGNETO COVER (GD250N)	1	
15	04213-09129	PIN,MAGNETO COVER	1	
16	01547-06408	BOLT,MAGNET COVER (GV650)	6	
17	01547-06258	BOLT,INTAKE HEAD (GV650)	2	

18	09247H12102	PLUG,T D C	1
19	09168H12003	GASKET,TDC PLUG (SB)	1
20	09259-26015121	PLUG,CRANK SHAFT HOLE□□(TN	1
21	09280-22008	O/RING,CRANK SHAFT HOLE PL	1
22	11360HC8100	COVER COMP, ENGINE SPROCKET	1
23	01547-06408	BOLT,MAGNET COVER (GV650)	3
26	09282-12001	OIL SEAL,CRANK SHAFT RH	1
27	11342HG5100	JET,CLUTCH COVER (GV)	1
28	11343HG5100	RETAINER,CLUTCH COVER (GV)	1
29	02112-06108	SCREW	2
30	25671-31C00	STOPPER,SHIFT ARM	1

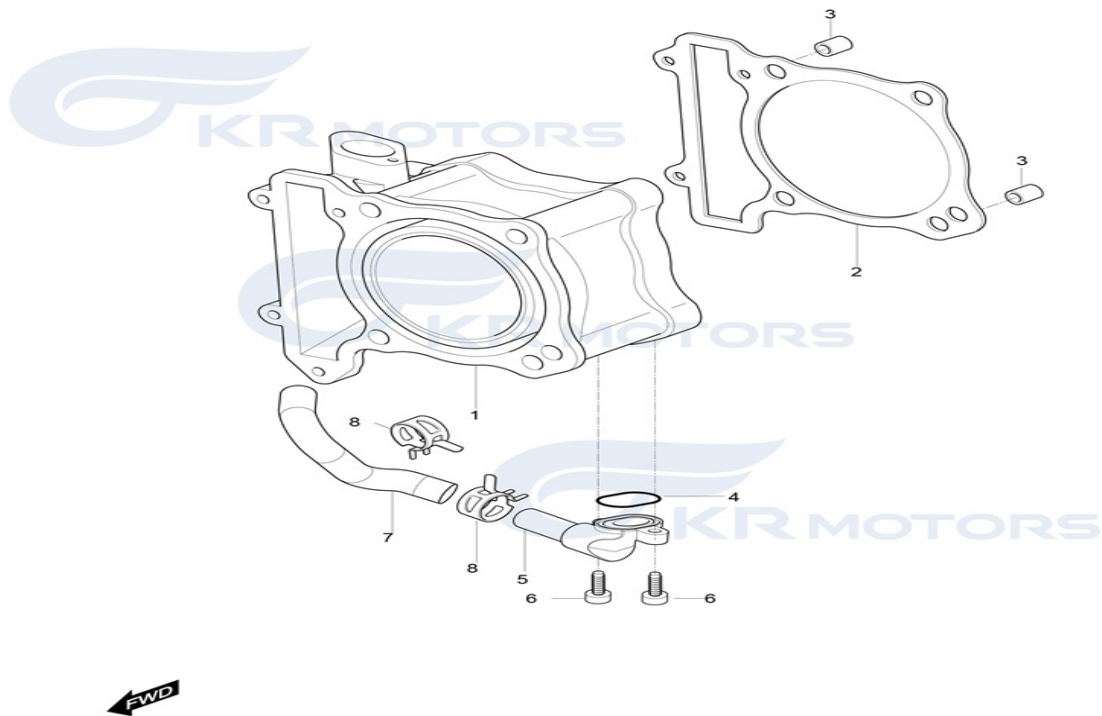
FIG 6



SEQ	PART CODE	PART NAME	U/S	REMARK
0	12111HP8810HPA	PISTON ASS'Y (GD250N)	1	
1	12111HP8800PPS	PISTON COMP (MS3-250)	1	
2	12140HC8100	RING SET, PISTON (GD250N)	1	
2-1	12141HC8100	RING, PISTON 1ST (GD250N)	1	
2-2	12142HC8100	RING, PISTON 2ND (GD250N)	1	
2-3	12144HC8100	RING, PISTON OIL (GD250N)	1	
3	12151HP8810	PIN,PISTON (MS3-250D)	1	
4	09381H19001	CIRCLIP,PISTON PIN (TE450)	2	
5	12200HC8100HPA	CRANK SHAFT ASS'Y (GD250N)	1	
6	12161HP88030AO	ROD,CONNECTING (GD250)	1	=12161HP88000AO
7	12211HP8801	PIN, CRANK (GD250N)	1	
10	12218HP88000A0	BEARING,CRANK PIN (MS3)	2	
11	09262H35002	BEARING,CRANK SHAFT L(RX125SM)	2	
12	12661HC8100	GEAR, CR BALANCER DRIVE(GD250N)	1	
13	09140H35001	NUT,CRANK BALANCER DRIVE (MS3)	1	
14	04221-04069	PIN,GEAR SHAFT CAM	1	
15	21111HC8100	GEAR, PRIMARY DRIVE (GD250N)	1	

16	21114-35C00	SPRING PRIARY DRIVE GEAR(GSX)	3
17	21112HC8100	GEAR, PRIMARY DRIVE NO.2 (GD2	1
18	09166H16021	WASHER,PRIMARY DRIVE GEAR(GV)	1
19	09166H16032	WASHER,PRIMARY DRIVE GEAR(GV25	1
20	09421H05001	KEY,PRIMARY DRIVE GEAR (GV250	1
21	09140-16019	NUT,PRIMARY DRIVEN GEAR	1

FIG 3



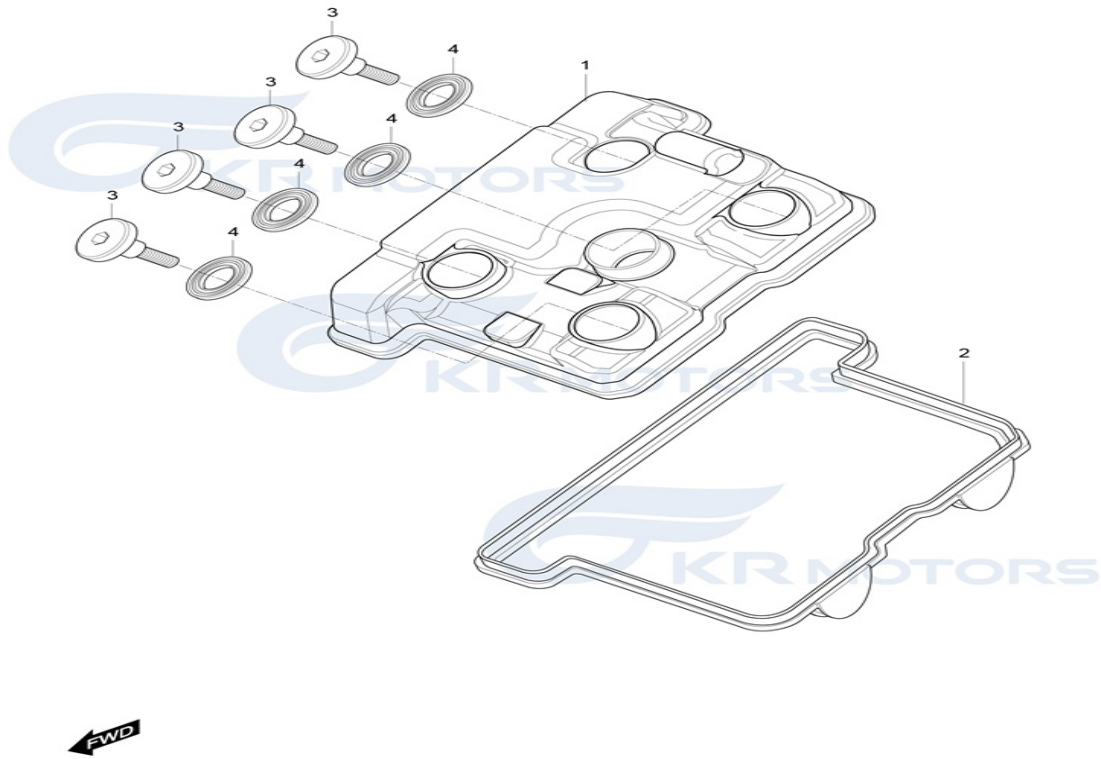
SEQ	PART CODE	PART NAME	U/S	REMARK
1	11210HP8802SCY	CYLINDER COMP (GD250N)	1	=11210HP8801SCY
2	11241HP7600	GASKET,CYLINDER (MS3)	1	
3	04213-13189	PIN,CRANK CASE (GT&GV)	2	
4	17541HP7600	O-RING,W/PUMP CONNECT CAP(MS3)	1	
5	17531HC8100	CAP COMP, WATER PUMP CONNECTOR	1	
6	09106-06030	BOLT,STARTER CLUTCH	2	
7	17491HC8101	HOSE, WATER PUMP OUTLETT(GD250)	1	
8	09401H24402	CLAMP,CONNECTOR INLET HOSE(GT6)	2	





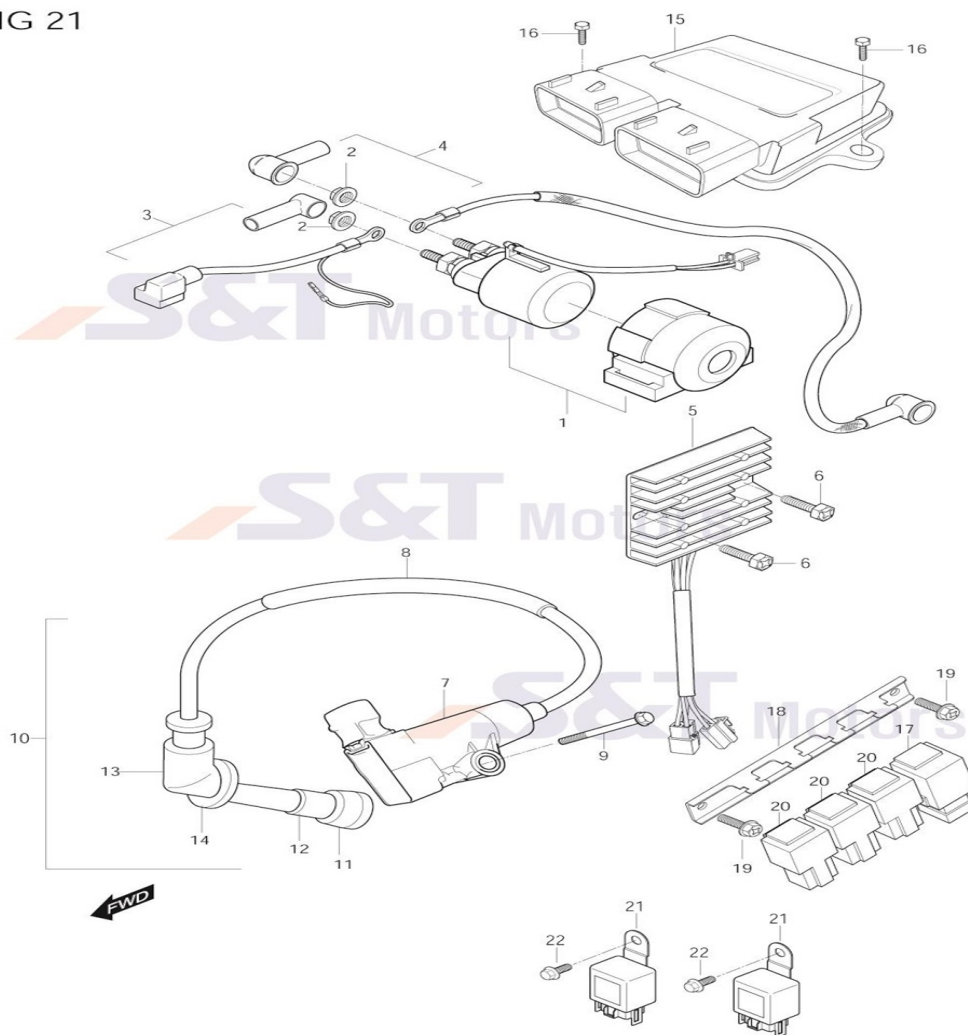
17	09128-06005	BOLT,FUEL COCK	2
18	17650HP9300	SENSOR,WATER TEMP&GUAGE(GV650F	1
19	09403-09301	CLAMP,BATTERY EXHAUST	1

FIG 1



SEQ	PART CODE	PART NAME	U/S	REMARK
1	11170HC8100121	COVER, CYLINDER HEAD	1	
2	11173HP7600	GASKET,CYL HEAD COV (MS3)	1	
3	09109H07018	BOLT,CYLINDER HEAD COVER (GV)	4	
4	09161H11008	WASHER,CYLINDER HEAD COVER(GD)	4	

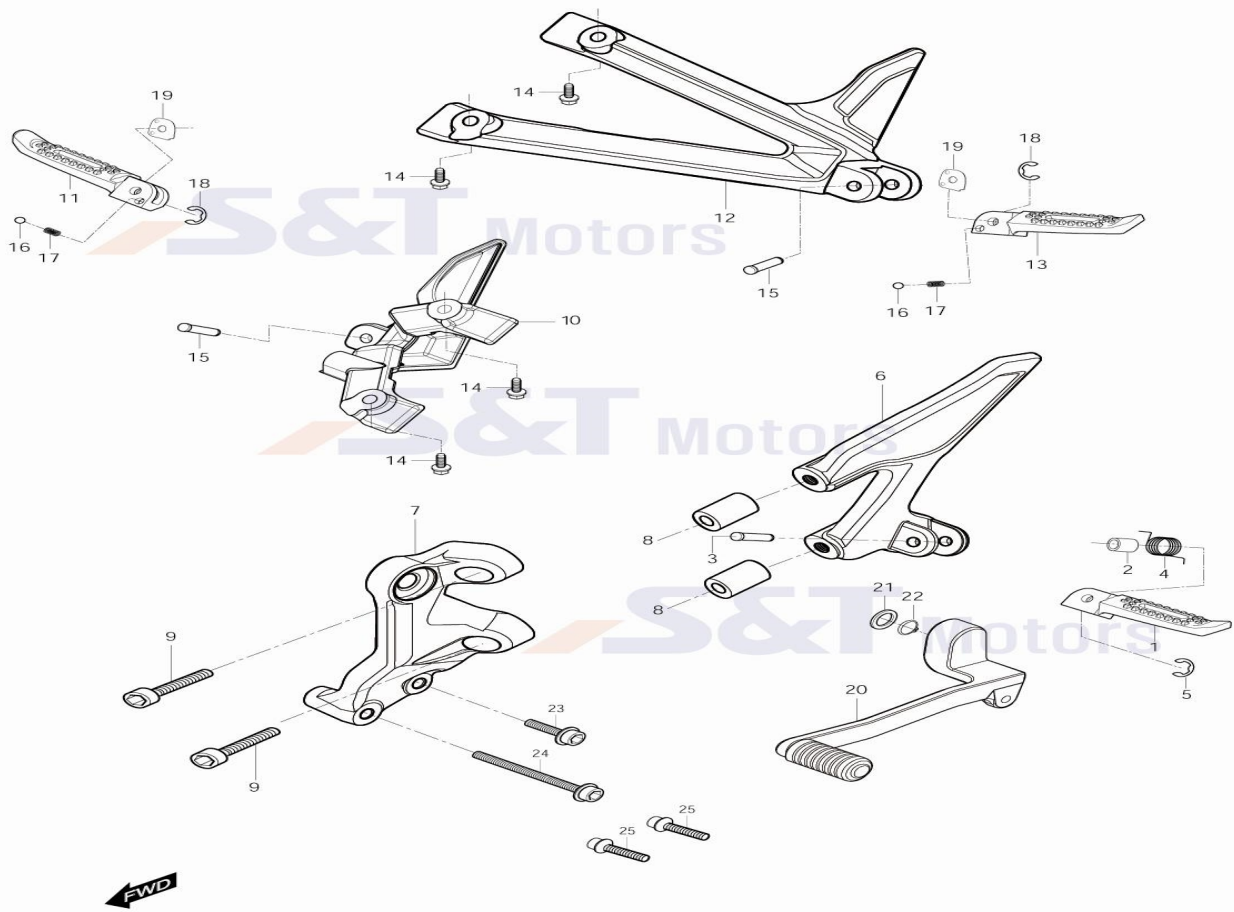
FIG 21



SEQ	PART CODE	PART NAME	U/S	REMARK
1	31800HG5100	RELAY ASSY'STARTING MOTOR (GV)	1	
2	08316-26066	NUT,REAR COMBI LAMP	2	
3	33840HC8100	LEAD WIRE,BATTERY PLUS(GD250N)	1	
4	33850HC8100	LEAD WIRE,STARTER MOTOR(GD250N)	1	
5	32800HN9110	RECTIFIER REGULATOR ASSY(GT650)	1	
6	09128-06039	SCREW,BATTERY HOLDER BAND (GV)	2	
7	33410H98A00	COIL ASSY,IGNITION (MS3)	1	
8	33415HC8100	CABLE, IGNITION COIL (GD250N)	1	
9	01547-06358	BOLT,MAGET&SPROCKET COV	1	
10	33500HC8101	CAP ASS'Y, SPARK PLUG (GD250N)	1	6.13.2014~, KM4NF46C3F1101479~
15	32900HC8100	ENGINE CONTROL UNIT (GD250N)	1	
16	01517-06166	BOLT,STEERING LOCK (GV)	2	
17	38610HR9700	RELAY,TURN SIGNAL (GT650FI)	1	
18	38742HP7600	BRACKET,RELAY (GV650FI)	1	
19	01517-06166	BOLT,STEERING LOCK (GV)	2	
20	38740HP7600	RELAY ASS'Y,12V 30A (GV650FI)	3	

21	38740HM5401	RELAY ASSY (GT650)	2
22	01517-06125	BOLT,COVER CYLINDER HEAD	2

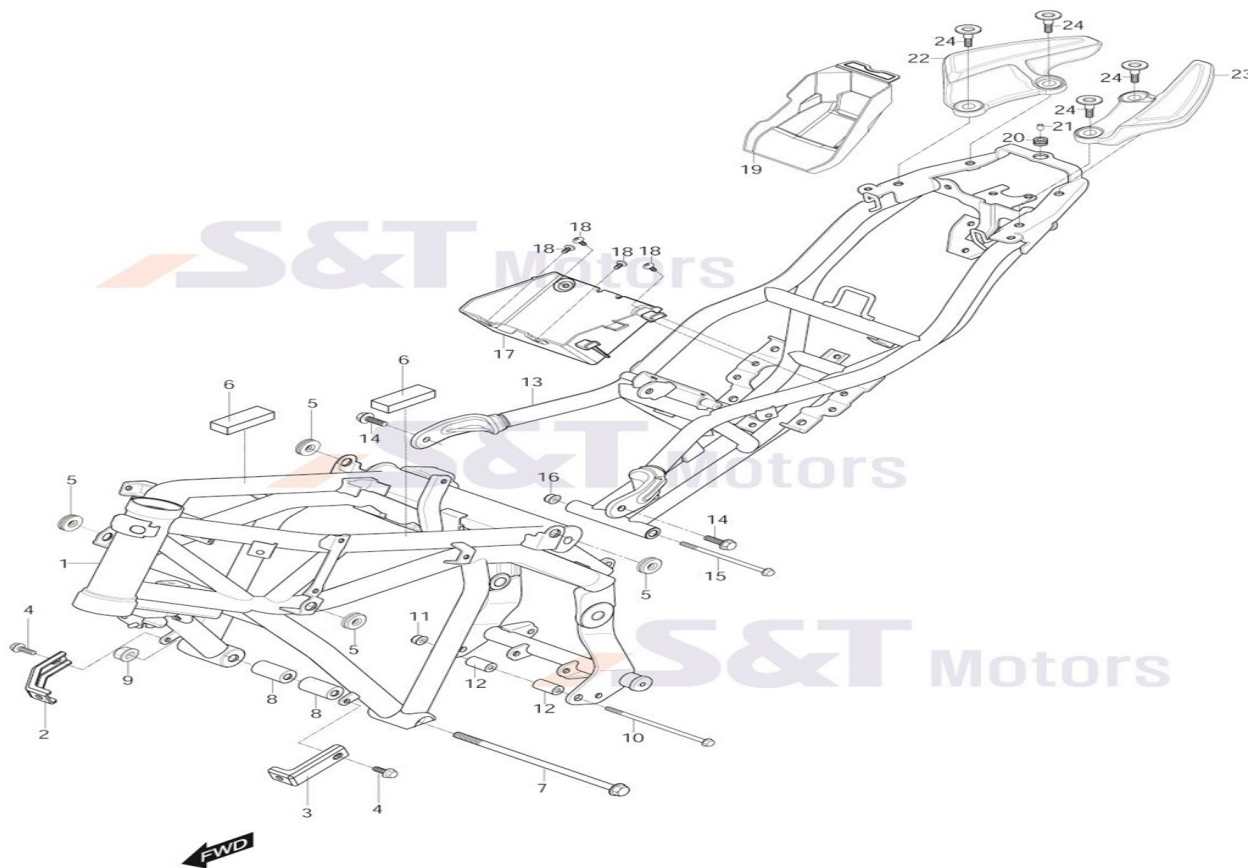
FIG 30



SEQ	PART CODE	PART NAME	U/S	REMARK
1	43571HC9701	FOOTREST,FRONT LH	1	
2	09180H08008	SPACER FRONT FOOTREST	1	
3	43579HM8101	PIN,FRONT FOOTREST (GT250)	1	
4	09448H14008	SPRING FRONT FOOTREST(GD250N)	1	
5	08332-11079	E-RING	1	
6	43540HC8100	BRKT FRONT FOOTREST L (GD250N)	1	
7	43560HC8101	BKT,F/T FOOTREST BACK L(GD250)	1	
8	43570HC8100	SPC,FT FOOT ADJUSTER(GD250N)	2	
9	07110-10658	BOLT,FT FOOT BKT&STEP(GD250N)	2	
10	43621HC8100	BKT,PILLION FOOTREST R(GD250N)	1	
11	43661HC8100	FOOTREST,PILLION R (GD250N)	1	
12	43721HC8100	BKT,PILLION FOOTREST L(GD250N)	1	
13	43671HC8100	FOOTREST BAR, PILLION L	1	
14	07110-08308	BOLT,DOWN TUBE	4	
15	43579HM8101	PIN,FRONT FOOTREST (GT250)	2	
16	06111H99D00	BALL, PILLION FOOTREST BAR.	2	
17	09443H99D00	SPRING, PILLION FOOTREST	2	
18	08332-11079	E-RING	2	

19	43631HC8100	PLATE, PILLION STOPPER(GD250N)	2
20	25609HP920003P	LEVER,GR SHIFT CAM (GT650S)	1
21	08331-31159	CIRCLIP,KICK IDLE	1
22	09160H15002	WASHER,BRAKE PEDAL (GT250)	1
23	07120-08358	BOLT,CALIPER (GV650)	1
24	07120-08608	BOLT,CRANK CASE (GT650)	1
25	07110-10358	BOLT,MUFFLER SUPPORT	2 OPTION

FIG 27

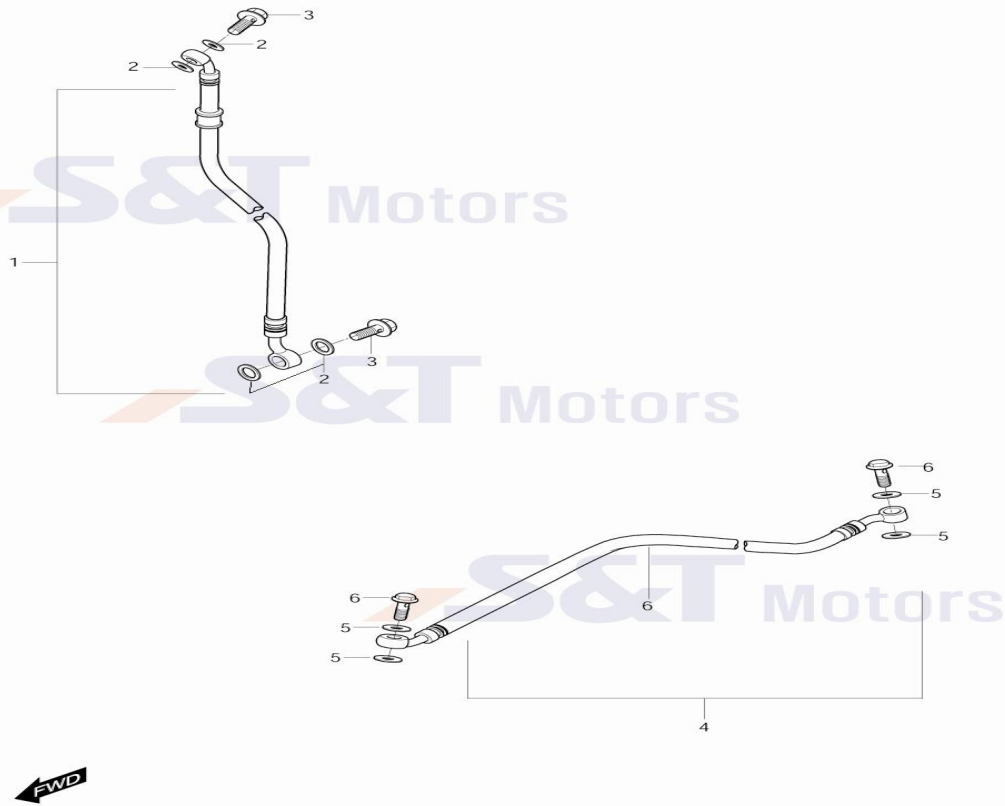


SEQ	PART CODE	PART NAME	U/S	REMARK
1	41100HC81000BW	FRAME COMP, FRONT (GD250N)	1	WHITE
1-1	41100HC81000DR	FRAME COMP, FRONT (GD250N)	1	RED, MY15
2	17780HC8100	BKT COMP, RADIATOR RH (GD250N)	1	
3	17790HC8100	BKT COMP, RADIATOR LH (GD250N)	1	
4	01517-06125	BOLT,COVER CYLINDER HEAD	2	
5	09320-08018	CUSHION,FRAME COVER	4	
6	44613HC8100	CUSHION AIR,CLEANER	2	
7	09103H10100	BOLT, FM & EG FT L=320(GD250N)	1	L=310
8	41185HN9100	SPACER,FM & E/G RR UPP (GT650)	2	L=50
9	08319-31108	NUT,FRONT SORBER	1	
10	09103H10102	BOLT, FM & EG FT L=215(GD250N)	1	
11	08319-31108	NUT,FRONT SORBER	1	
12	41185HC8100	SPACER,FM&EG RR L=41.4(GD250N)	2	
13	41500HC8100PAM	FRAME COMP, REAR (GD250N)	1	
14	09116H10061	BOLT,FRONT FOOTREST BAR	2	
15	09103H10153	BOLT E/G M.T.G REAR (GT250RN)	1	
16	08319-31108	NUT,FRONT SORBER	1	
17	41541HC8100	HOLDER, BATTERY (GD250N)	1	



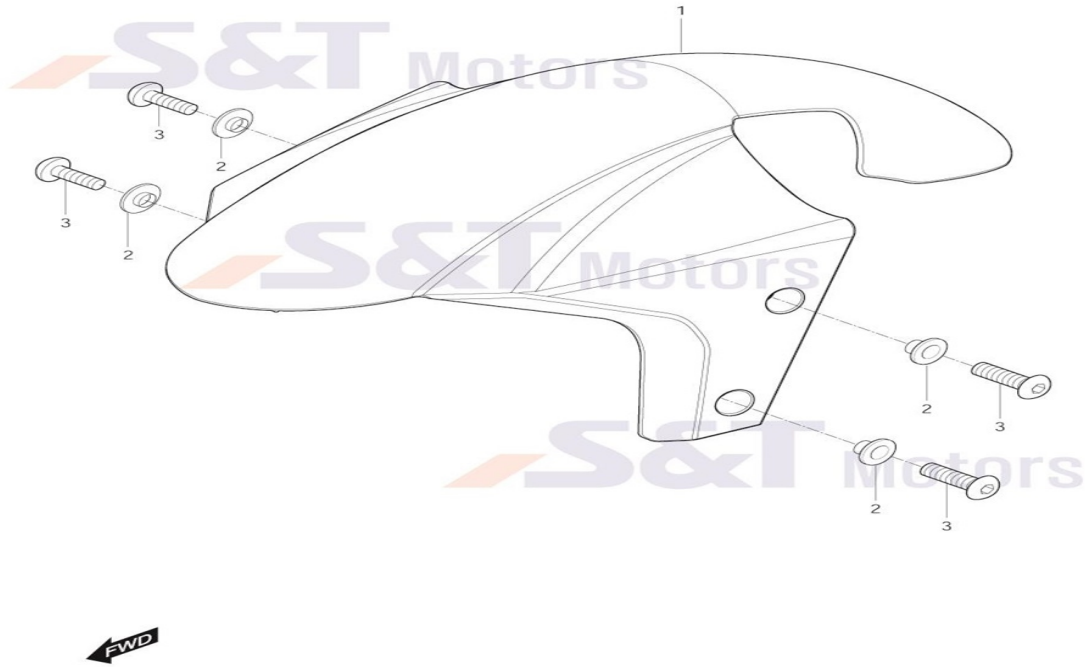
18	02142-06125	SCREW,COVER LEG SHIELD	4
19	91311HC8100	BOX, TRUNK (GD250N)	1
20	09320-09016	CUSHION,TOOL HOLDER	1
21	09180-06011	SPACER,BATT HOLE	1
22	47511HC8100	GRIP, PILLION RIDER R (GD250N)	1
23	47521HC8100	GRIP, PILLION RIDER L (GD250N)	1
24	09106-08010	BOLT, PILLION RIDER (GD250N)	4

FIG 44



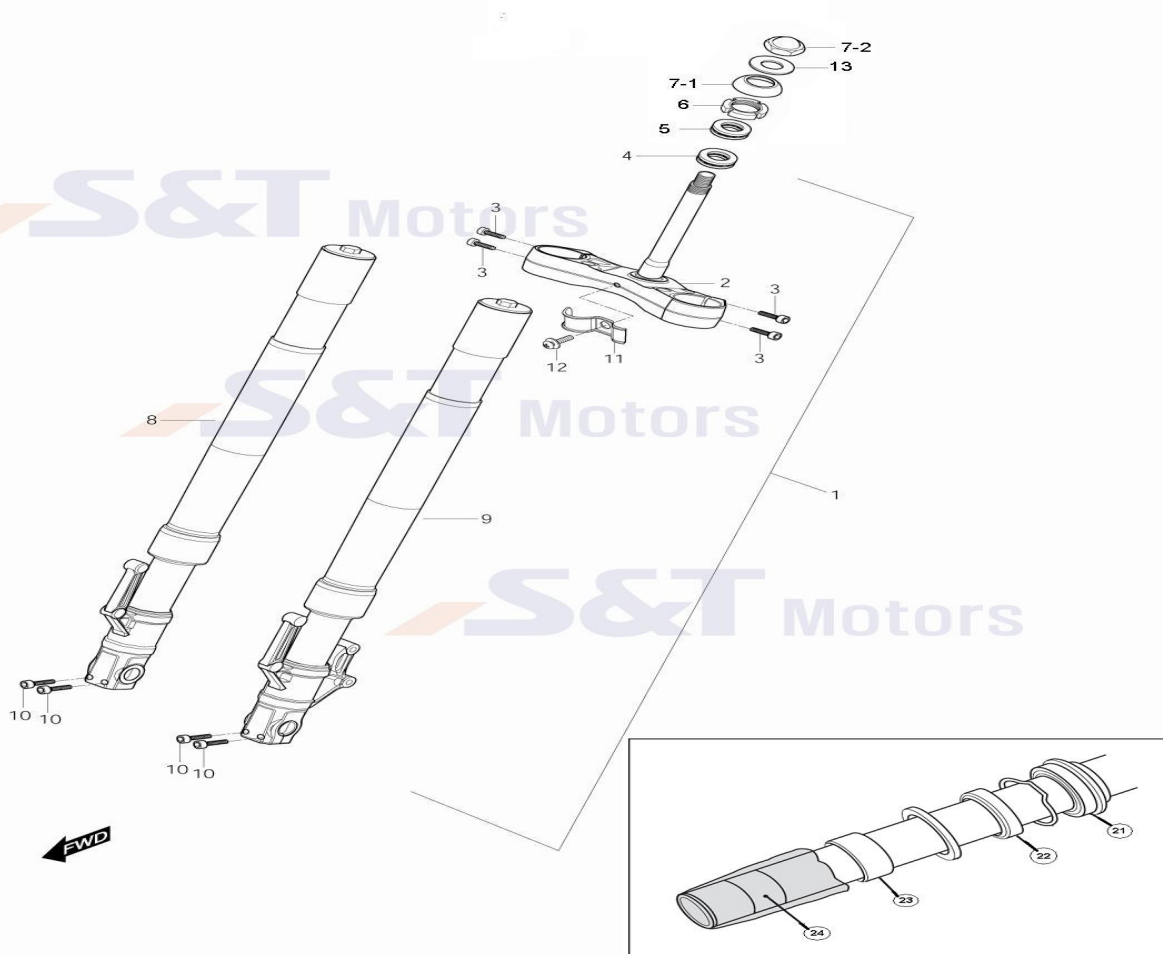
SEQ	PART CODE	PART NAME	U/S	REMARK
1	59480HC8100	HOSE COMP, FT BRAKE (GD250N)	1	
2	09161-10009	WASHER,BRAKE FLUID (FX)	4	
3	09360-10039	BOLT BRAKE FLUID (AG)	2	
4	69480HC8100	HOSE COMP, REAR BRAKE (GD250N)	1	
5	09161-10009	WASHER,BRAKE FLUID (FX)	4	
6	09360-10039	BOLT BRAKE FLUID (AG)	2	

FIG 38



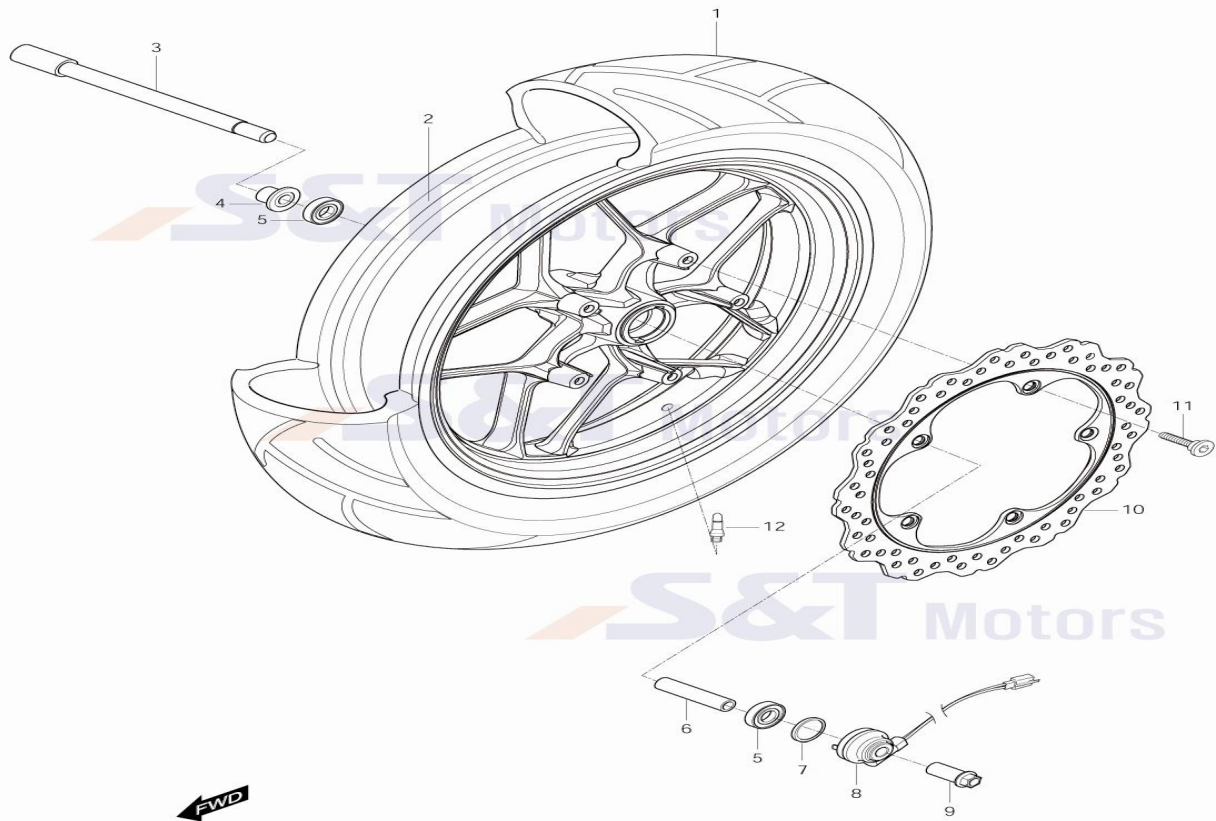
SEQ	PART CODE	PART NAME	U/S	REMARK
1	53111HC8100CLG	FENDER, FRONT (GD250N)	1 MY14	
1-1	53111HC8100CBK	FENDER, FRONT (GD250R)	1 MY15	
2	09169H06078	WASHER,FRONT FENDER (GT650)	4	
3	09106H06150	WRENCH BOLT 6*15MM (GT650)	4	

FIG 36



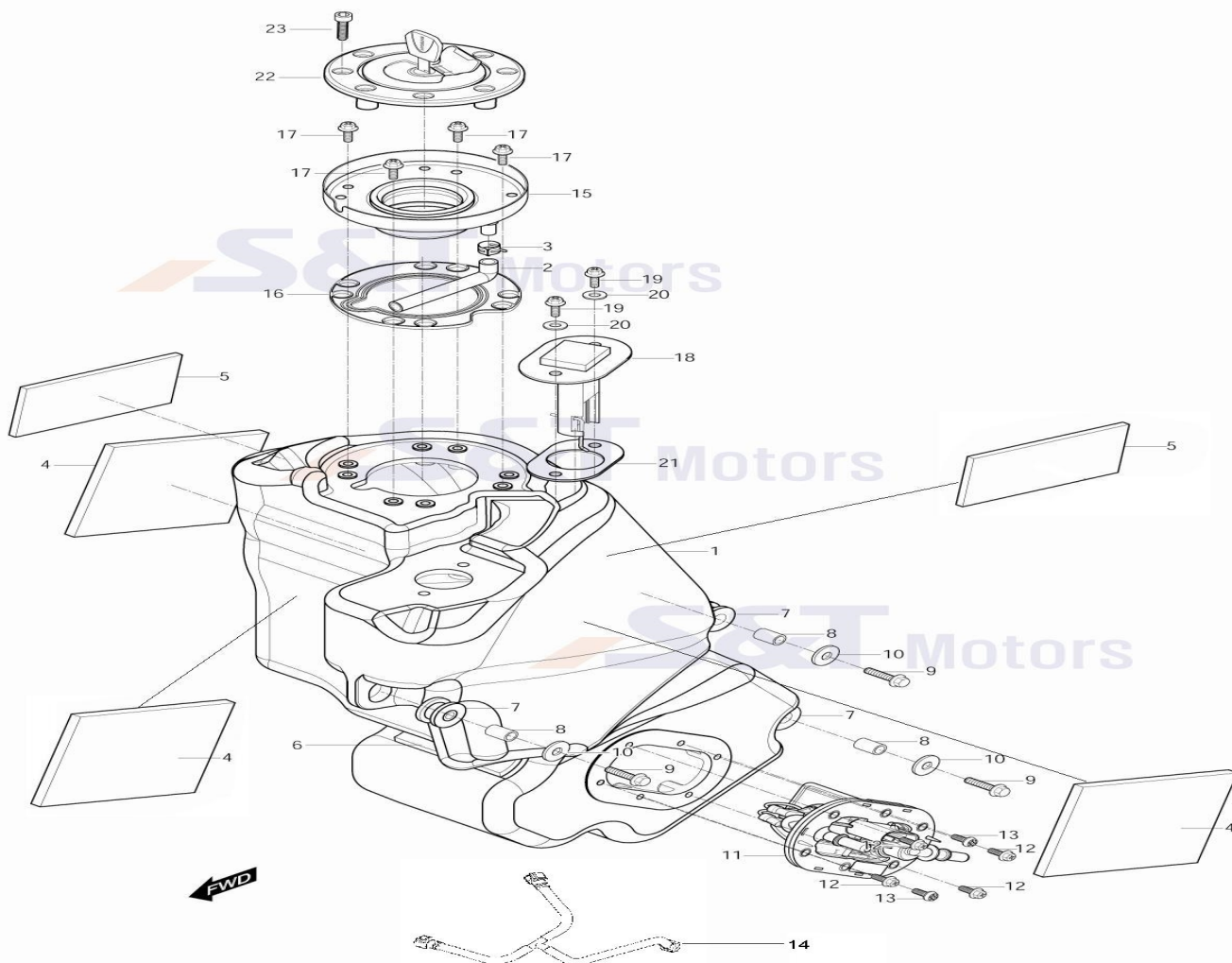
SEQ	PART CODE	PART NAME	U/S	REMARK
1	51100HC8100HPA	FORK ASS'Y, FRONT (GD250N)	1	
2	51410HC8100HPA	BRACKET COMP,FT FORK UNDER	1	=51411HC8100+51412SC8100+09265H28001
3	07110-08255	BOLT,EXHAUST PIPE	4	
4	09265H28001	BEARING,STEERING LOWER (RX)	1	
5	09265H25001	BEARING,STEERING UPPER (RX)	1	
6	51631-28000	NUT,STEERING	1	
7-1	51643HG5801	DUST SEAL,STEERING UPPER (RX)	1	
7-2	51631HN9101	NUT,STEERING STEM UPPER(GT250)	1	
8	51210HC8100	DAMPER ASSY, FT FORK R(GD250N)	1	
9	51220HC8100	DAMPER ASSY, FT FORK L(GD250N)	1	
10	07110-08408	BOLT,REAR PULLEY (GV650)	4	
11	59266HM8100	CLAMP,BRAKE HOSE (GT250)	1	
12	02112-06168	SCREW	1	
13	09166H25001	WASHER,STEERING STEM (GT650)	1	
21	09289H37250	DUST SEAL, FORK (GD250N)	1	
22	09285H37250	OIL SEAL, FORK (GD250N)	1	
23	51214HC8100	PISTON, FORK (GD250N)	1	
24	51213HC8100	METAL SLIDE, FORK (GD250N)	1	

FIG 39



SEQ	PART CODE	PART NAME	U/S	REMARK
0	54140HC8100HPA	WHEEL,FRONT ASS'Y (GD250N)	1	WHEEL+BEARING+SPACE+TIRE+DISC+...
0-1	54140SC8100120	WHEEL,FRONT ASS'Y (GD250N)	1	BLACK ASSY
1	55101HC8100	TIRE COMP, FRONT110/70-R17 54S	1	
2	54141HC8100	WHEEL,FT(J17×MT3.00)(GD250N)	1	WHITE
2-1	54141HC8100120	WHEEL,FT(J17×MT3.00)(GD250R)	1	BLACK
3	54711HC8100	AXLE, FRONT (GD250N)	1	
4	54740HM8101	SPACER COMP,FRONT AXLE R(GT250)	1	
5	08124-63027	BEARING FRONT HUB R/L (GV)	2	
6	54731HC8100	SPACER, FRONT HUB (GD250N)	1	
7	54690HM8101	COVER,SPEEDOMETER (GT250)	1	
8	34860HP9201	SENSOR,SPEEDOMETER (GT650R)	1	
9	54721HM8102	NUT,FRONT AXLE (GT250)	1	
10	59221HC8100	DISC COMP, FRONT (GD250N)	1	
11	59421-03A01	BOLT,FRONT BRAKE DISK (SBS)	5	
12	55220-29C20	VALVE ASS'Y	1	
15	64160H99D00	WEIGHT,WHEEL BALANCE(WHITE)ST7	1	
15-1	64160HC9700	WEIGHT,WHEEL BALANCE(BLACK)	1	BLACK

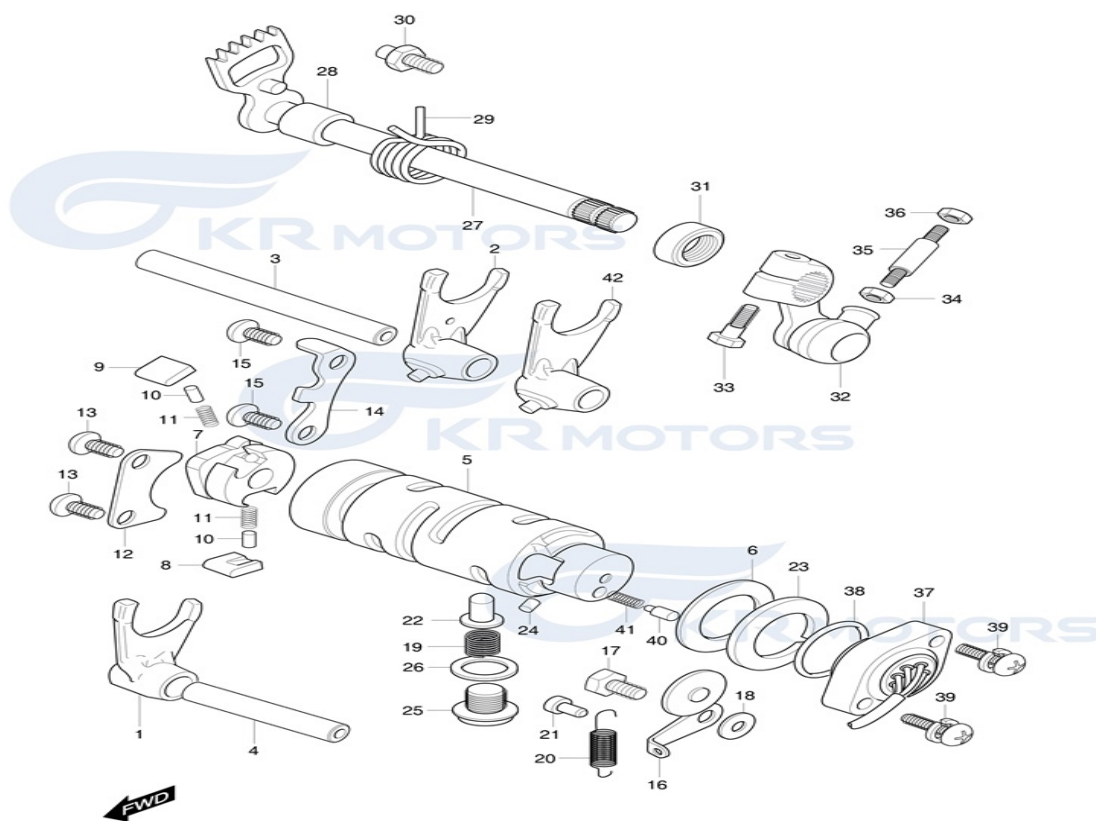
FIG 31



SEQ	PART CODE	PART NAME	U/S	REMARK
0	44110SC8102HPA	FUEL TANK ASS'Y (GD250N)	1	
0-1	44110SC8103HPA	FUEL TANK ASS'Y (GD250N)	1	FULL ASSY
1	44110HC8101	TANK COMP, FUEL (GD250N)	1	
2	09352H70103650	HOSE,FUEL TANK (GV)	1	
3	09401-10401	CLIP,FUEL HOSE	1	
4	44215HC8100	CUSHION, FUEL TANK FRONT UPPER	3	
5	44216HC8100	CUSHION, FUEL TANK UPPER R/L	2	
6	44217HC8100	CUSHION, FUEL TANK FRONT LOWER	1	
7	09320H10039	CUSHION,FUEL TANK (TE450)	3	
8	09180H06066	SPACER,FUEL TANK (TE450)	3	
9	01517-06256	BOLT,REAR SEAT (GV)	3	
10	09160-06060	WASHER,COMBI LAMP	3	
11	15100HC8100	PUMP ASS'Y,FUEL MODULE(GD250N)	1	
12	09128-05005	BOLT,FUEL TANK INLET (GD250R)	4	
13	09139H05014	SCREW,SPECIAL (GT650RN)	2	
14	15810HC8100	HOSE COMP,FUEL INJECTO(GD250N)	1	
15	44120HC8101	PLATE COMP, F/TANK INLET(GD250	1	=44120HC8100

16	44125HC8100	SEAL,F/TANK INLET PLAT(GD250N)	1
17	09128-05005	BOLT,FUEL TANK INLET (GD250R)	4
18+21	34810HC8100SVC	FUEL SENDER GAUGE ASSY(GD250N)	1
19	01517-06128	BOLT,OIL DRAIN	2
20	09168-06010	GASKET FUEL LEVEL GAUGE (GA)	2
21+18	34810HC8100SVC	FUEL SENDER GAUGE ASSY(GD250N)	1
22	44200H35C30	CAP,FUEL TANK FILL (GT125)	1
23	09106-05017	BOLT F/TANK FILLER CAP (GT250R)	4

FIG 17

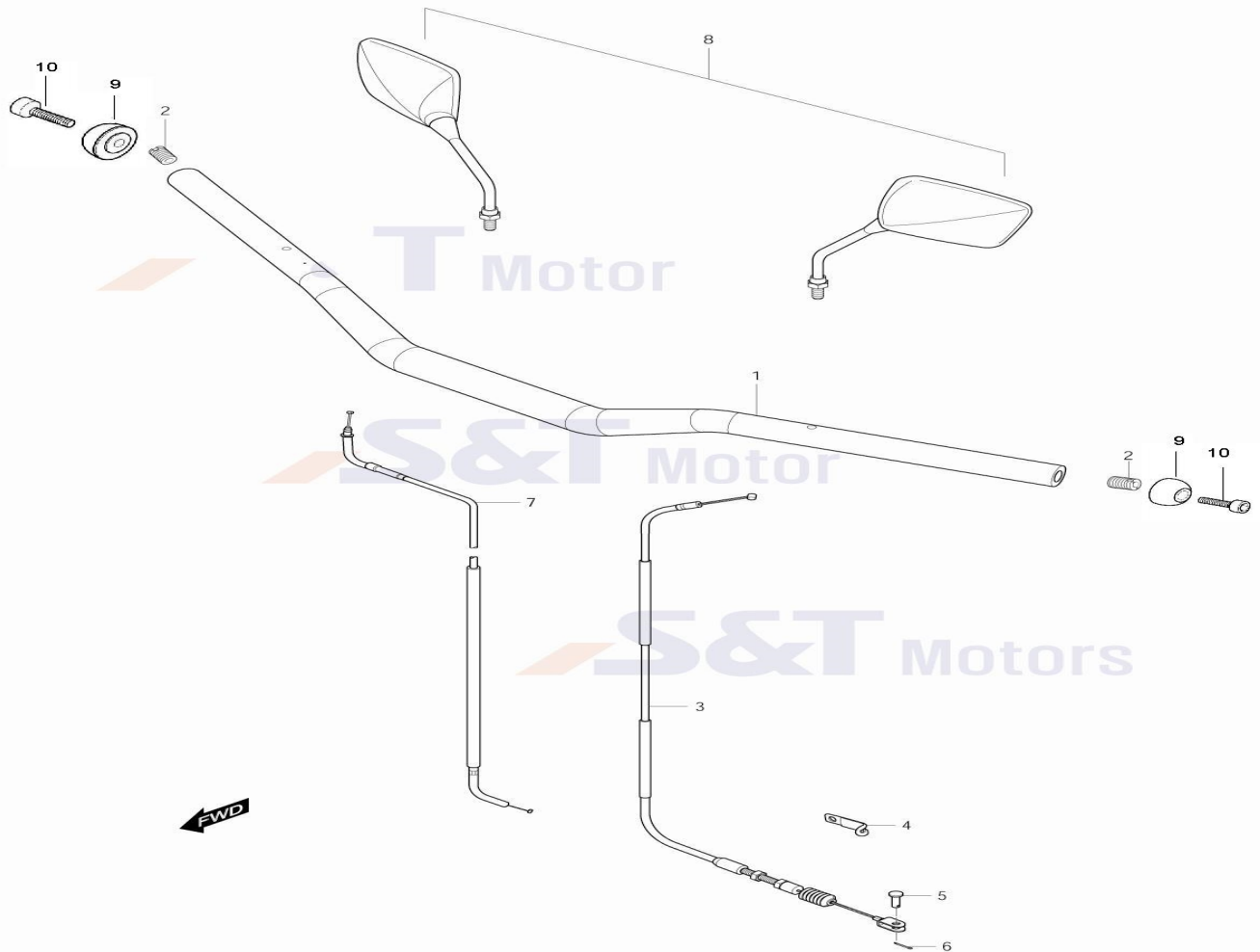


SEQ	PART CODE	PART NAME	U/S	REMARK
1	25211HC8100	FORK, GEAR SHIFT NO.1 (GD250N	1	
2	25231HC8100	FORK, GEAR SHIFT NO.3(GD250N)	1	
3	25411-05201	SHAFT GEAR SHIFT FORK NO1	1	
4	25421-35403	SHAFT SHIFT FORK (GV250N)	1	
5	25310HC8100	CAM COMP, GEAR SHIFT	1	
6	08211-25401	WASHER,GEAR SHIFT CAM	1	
7	25322-31301	GEAR,SHIFT CAM DRVN(TN,RG,GS)	1	
8	25323-34201	PAWL,GEAR SHIFT NO1(TN,RG,GS)	1	
9	25324-34201	PAWL,GEAR SHIFT NO2(TN,RG,GS)	1	
10	09261-05003	PIN,GEAR SHIFT	2	
11	09440-04003	SPRING,GEAR SHIFT PLATE	2	
12	25331-30000	LIFTER,GEAR SHIFT (TN,RG,GS)	1	
13	02122-06128	SCREW,OL GR SH	2	
14	25341HG5100	GUIDE,GEAR SHIFT CAM (GV)	1	
15	02122-06128	SCREW,OL GR SH	2	
16	25350HG5100	STOPPER,GEAR SHIFT CAM (GV)	1	
17	09111-06019	BOLT,GEAR SHIFT CAM STOP	1	
18	08211-06141	WASHER,GEAR SHIFT CAM	1	



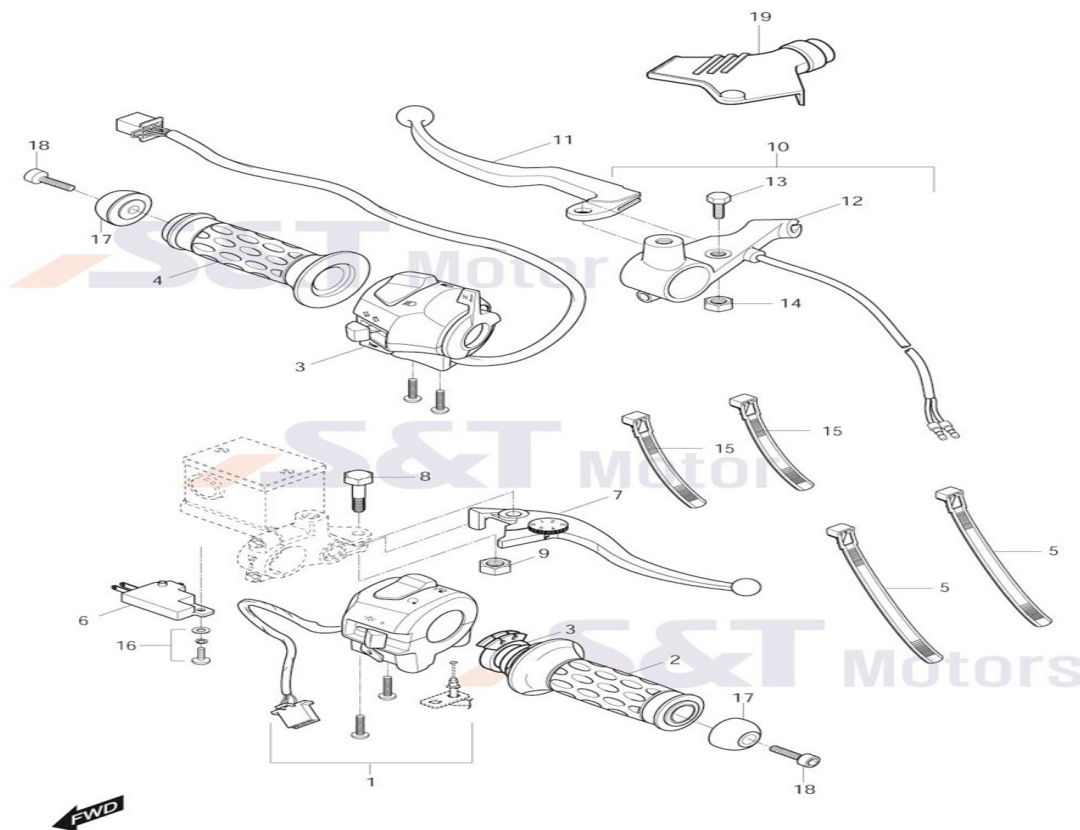
19	09440H11020	SPRING,GEAR SHIFT CAM STOPP(GV	1
20	09443H08044	SPRING,GEAR SHIFT CAM STOPPER	1
22	25351-30010	STOPPER,GEAR SHIFT CAM N.	1
23	25381-45400	PLATE,GEAR SHIFT CAM STOPPER	1
24	04221-04069	PIN,GEAR SHAFT CAM	1
25	09247-14026	PLUG,BOLT	1
26	09168H14003	GASKET,OIL CHECK PLUG (SB)	1
27	25510HG5101	SHAFT COMP,GEAR SHIFT (GV250)	1
28	09180-12068	SPACER,SHAFT GEAR SHTG	1
29	09444-26013	SPRING	1
30	25671-01000	STOPPER,GR SHIFT	1
31	09285-12002	OIL SEAL,GEAR SHIFT (GV250)	1
32	25520-32C00	ARM COMP,G/SHIFT LINK (GD)	1
33	01107-06208	BOLT,GEAR SHIFT	1
34	08310-11068	NUT	1
35-1	25525HP9200	ROD,GR SHIFT LINK(L=240)(GT650	1
35-2	25525HR8320	ROD,GR SHIFT LINK(L=195)(GT250	1 Option
36	09140-06011	NUT,GR SHIFT LINK LH	1
37	37720HR8401	SWITCH ASS'Y,NEUTRAL (GV250N)	1
38	09280-26003	O/RING,GEAR SHIFT SWITCH	1
39	02112-95208	SCREW	2
40	09209-05011	CONTACT,GEAR S SWITCH	2
41	09440-04010	SPRING,GEAR SWITCH	1
42	25221HC8100	FORK, GEAR SHIFT NO.2 (GD250N	1

FIG 40



SEQ	PART CODE	PART NAME	U/S	REMARK
1	56110HC8100	HANDLEBAR COMP (GD250N)	1	
2	56111HC8100	BOLT HANDLEBAR INSERT	2	
3	58200HR7900	CABLE ASS'Y,CLUTCH (RX125D)	1	
4	09403H09304	CLAMP CLUTCH CABLE (GA)	1	
5	09200-06004	PIN,CLUTCH	1	
6	04111-20158	COTTER PIN	1	
7	58300HC8100	CABLE ASS'Y, THROTTLE (GD250N)	1	
8	56501HP9250	MIRROR SET(PEU03/04) (GT650S)	1	
8-1	56500HP9250	MIRROR,RR VIEW R(GT650S PEU3,4)	1	
8-2	56600HP9250	MIRR,RR VIEW L(GT650S PEU03,4)	1	
9	56200HC8101	BALANCER, HANDLEBAR (GD250N)	2	
10	09106H06006	BOLT,CLUTCH SPRING (GV650P)	2	

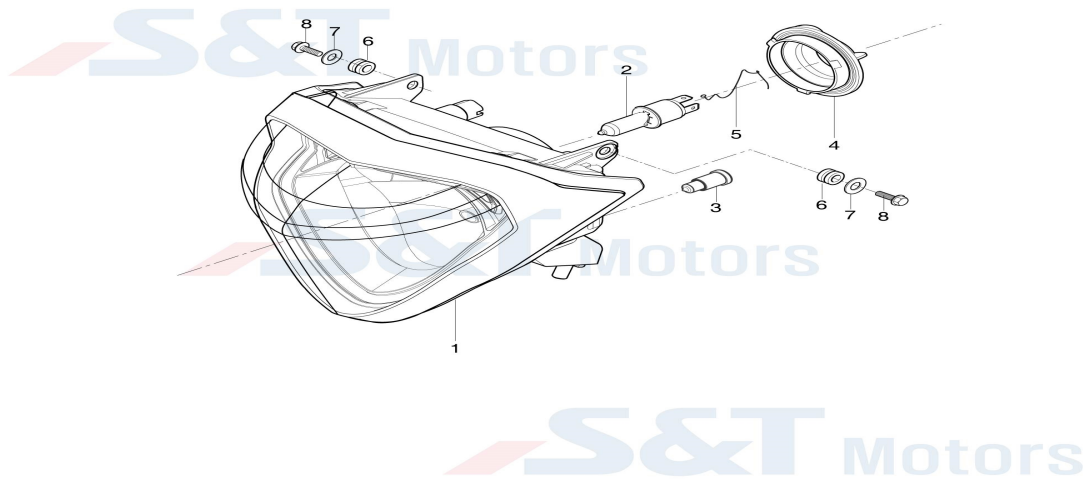
FIG 41



SEQ	PART CODE	PART NAME	U/S	REMARK
1	37200HC8150	SWITCH ASS'Y,HANDLE R (GD250N)	1	
1-1	37200HN9100	SWITCH ASS'Y,HANDLE R (GT650)	1	with Hazard SW
2	57110HP9300	GRIP COMP,THROTTLE (GT650RFI	1	
3	37400HP9300	SWITCH ASS'Y,HANDLE L(GT650FI)	1	
4	57211HG5800CHA	GRIP L	1	
5	09407-20406	CLAMP,WIRING HARNESS (GV250)	2	
6	57460-17C00	SWITCH ASS'Y STOP (AG,SB)	1	
7	57300HN9103	LEVER ASSY,FRONT BRAKE (GT650)	1	
8	57431HN9101	BOLT,BRAKE LEVER PIVOT (GT650)	1	
9	08319-21068	NUT,BRAKE LEVER	1	
10	57500HN9102	LEVER ASS'Y,CLUTCH (GT650)	1	
11	57620HP9500	LEVER COMP,CLUTCH (GV650)	1	
12	57511HN9101	HOLDER,LEVER(BLACK) (GT650)	1	
13	57531HN9100	BOLT,CLUTCH LEVER PIVOT(GT650)	1	
14	08319-21068	NUT,BRAKE LEVER	1	
15	09407-14403	CLAMP,STRNINER(125MM) (EZ)	2	
16	02112-74108	SCREW	1	
17	56200HC8101	BALANCER, HANDLEBAR (GD250N)	2	

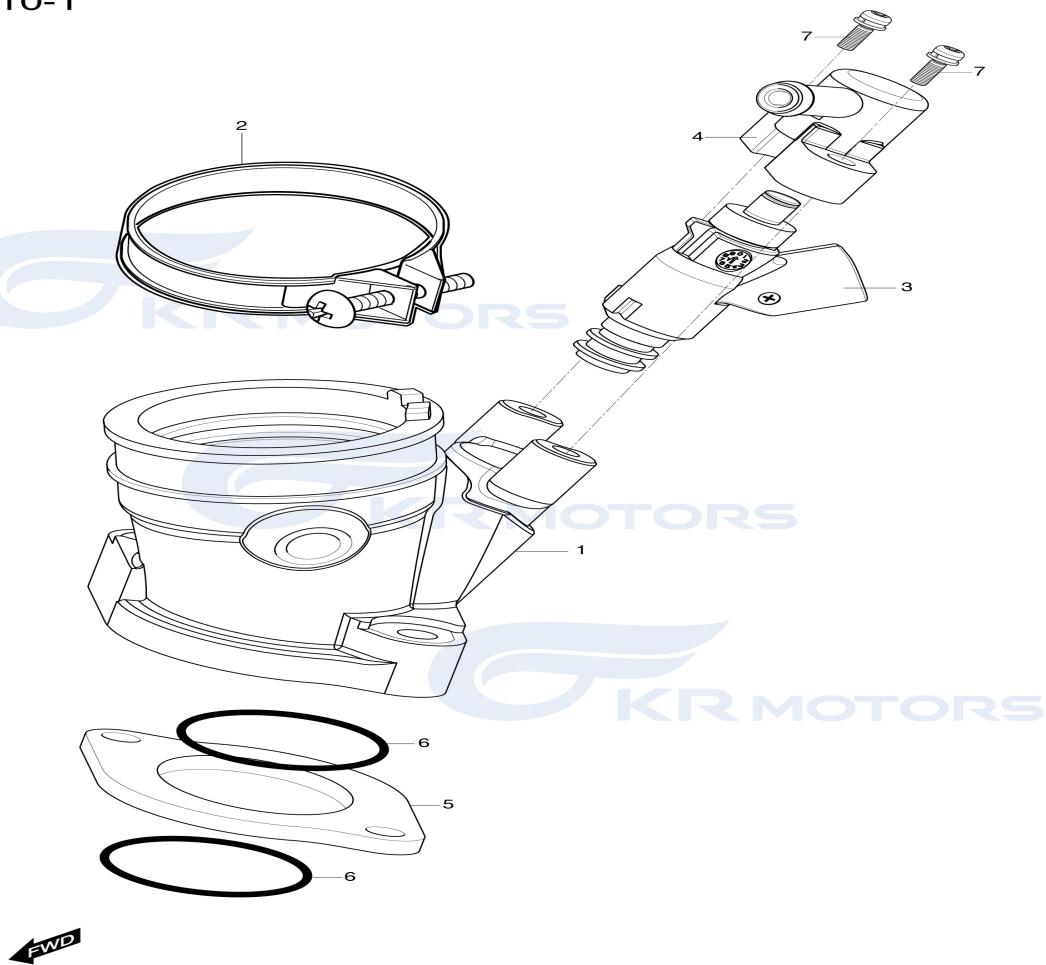
18	09106H06006	BOLT,CLUTCH SPRING (GV650P)	2
19	57661HN9100	COVER,REAR BRAKE LEVER (SF50R)	1
20	57460HJ8250	SWITCH,ASS'Y,CLUTCH (GV250)	1

FIG 23



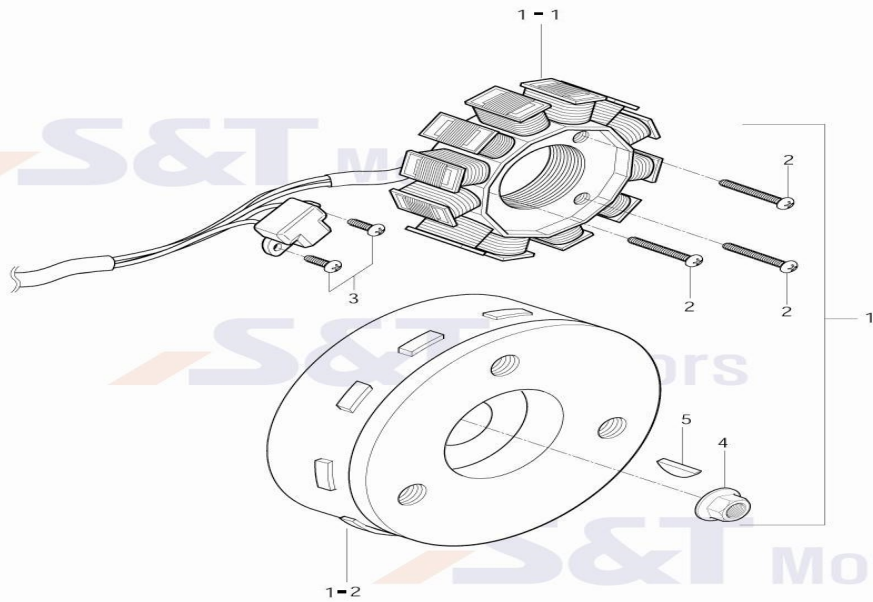
SEQ	PART CODE	PART NAME	U/S	REMARK
1	35100HC8100	HEAD LAMP ASS'Y (GD250N)	1	
2	09471H12103	BULB,HEAD LAMP(12V H4 60/55W)	1	
3	09471H12110	BULB,POSITION LAMP (12V 5W)	1	
4	35173HC8100	DUST COVER (GD250N)	1	
5	35175HC8100	SPRING,BULB SOCKET (GD250N)	1	
6	09320-10020	CUSHION,TANK UPPER	2	
7	09169-06034	WASHER,LEG SHIELD	2	
8	09116-06143	BOLT OIL COOLER (GSX)	2	

FIG 10-1



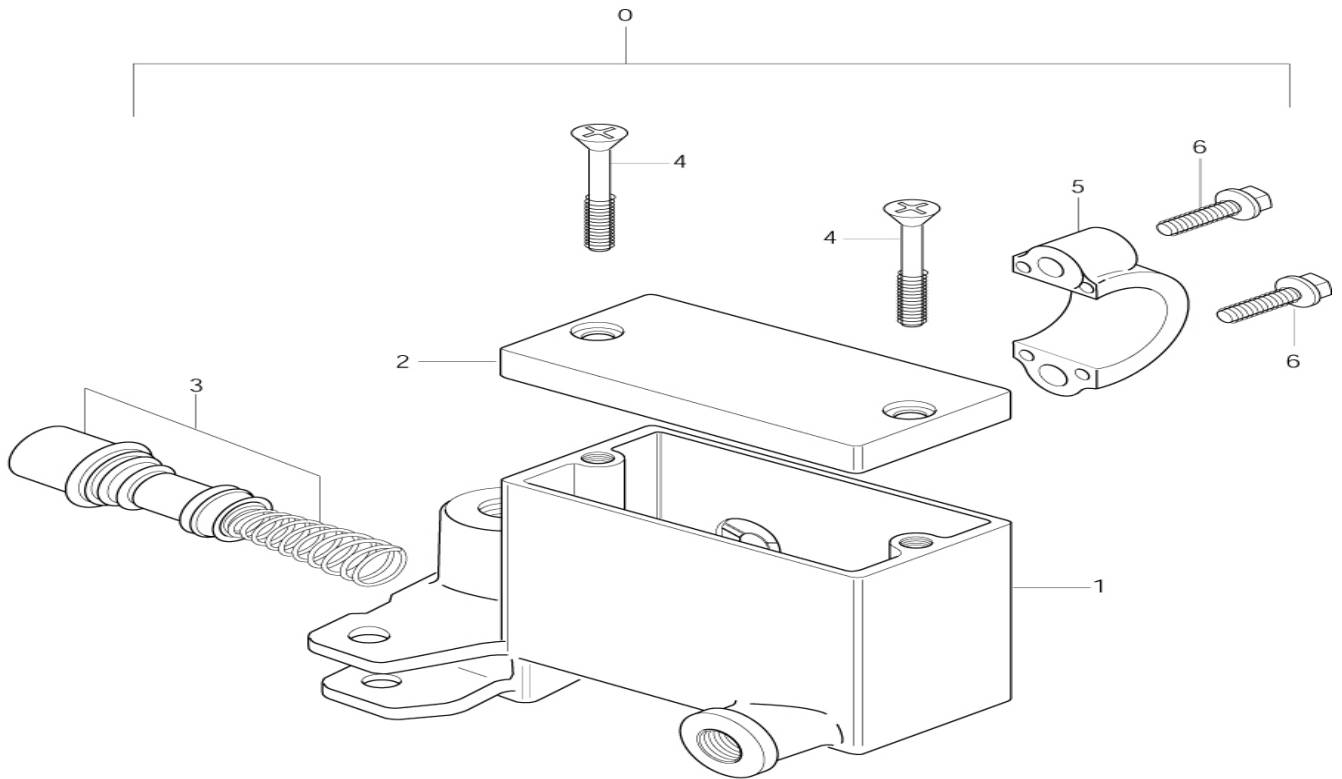
SEQ	PART CODE	PART NAME	U/S	REMARK
1	15711HP8810	CAP,INJECTOR (MS3)	1	
2	15710H98A00	INJECTOR (MS3-250)	1	
3	13110HC8100	PIPE COMP, INTAKE (GD250N)	1	
4	13129HC8100	INSULATOR, INTAKE PIPE(GD250N)	1	

FIG 19



SEQ	PART CODE	PART NAME	U/S	REMARK
0	32100HD8500	MAGNETO ASSY (GD250R)		1 =32100HC8100
1	32100HC8100	MAGNETO ASSY (GD250N)		1
1-1	32101HC8100	STATOR (GD250N)		1
1-2	32102HC8100	ROTOR (GD250N)		1
2	07110-05255	SCREW, MAGNETO STATOR (GD250N)		3
3	02112-05168	SCREW		2
4	08316-26128	NUT, MAGNET FLY		1
5	09420H04001	KEY, MAGNETO (GT650)		1

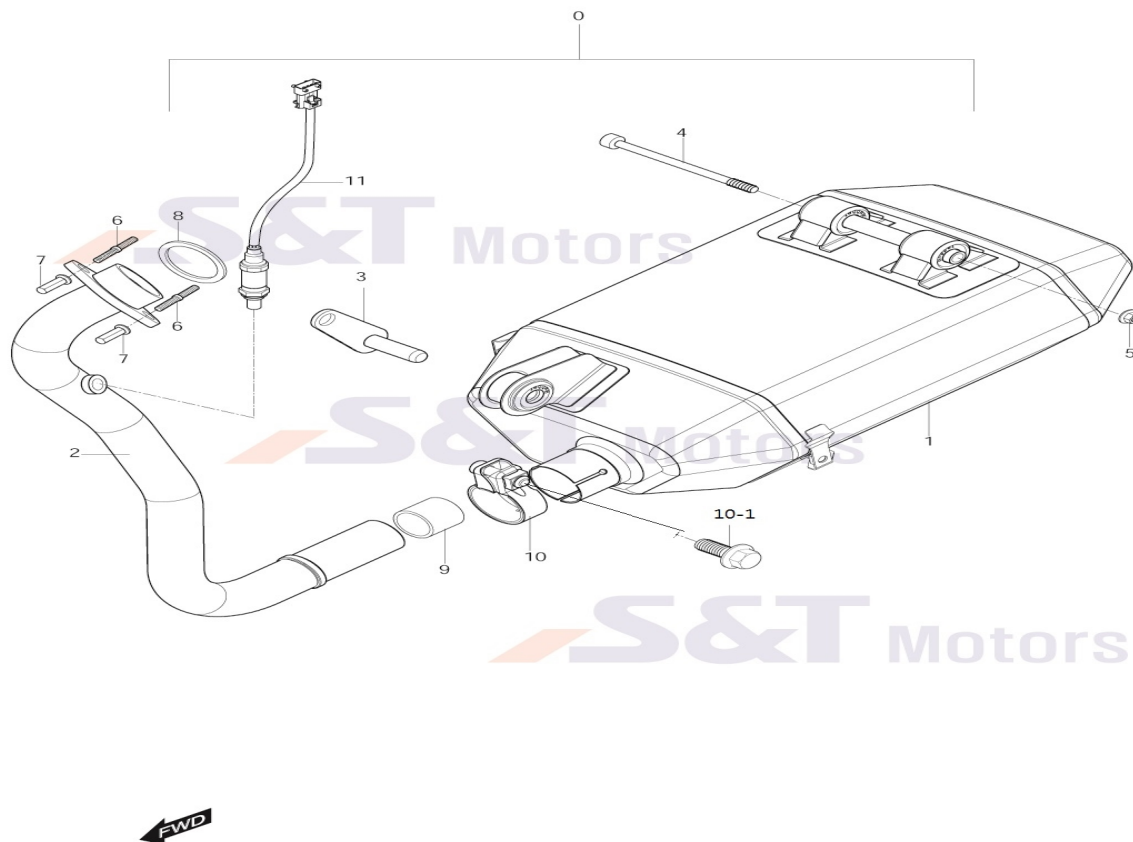
FIG.43



SEQ	PART CODE	PART NAME	U/S	REMARK
0	59600HP8900	CYLINDER ASSY,FT MASTER(TE450	1	
2	59669-36510	CAP,RESERVIOR (GD)	1	
4	59691-35C00	SCREW (GD)	2	
5	59671-35C00	HOLDER (GD)	1	
6	01107-35C00	BOLT (GD)	2	

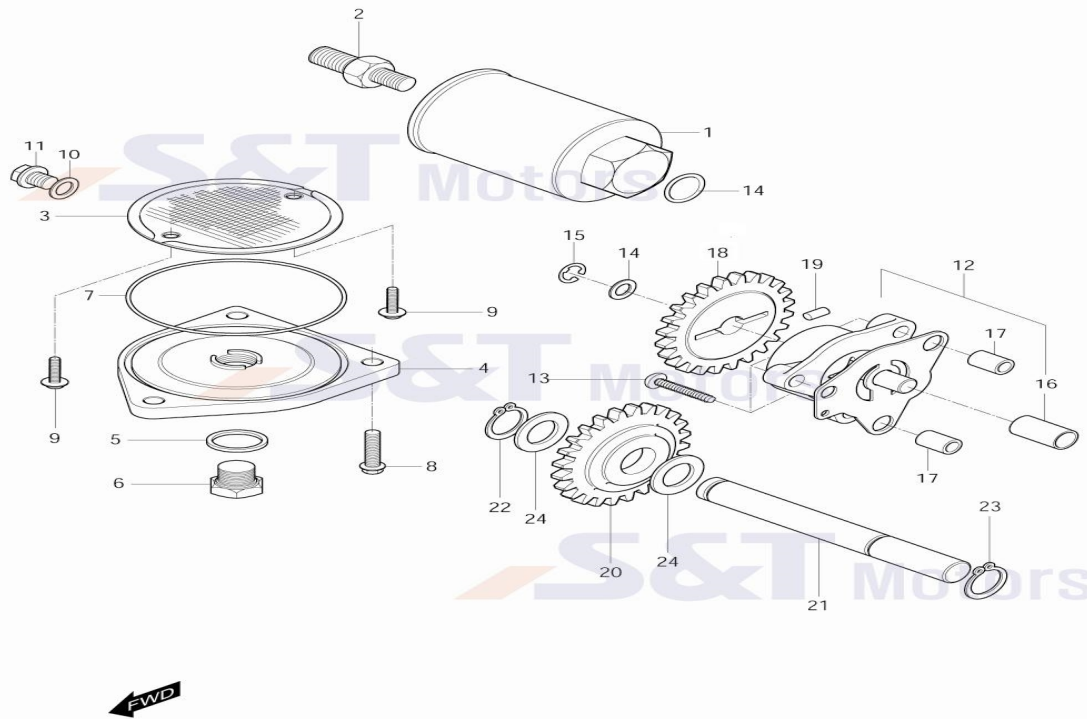


FIG 14



SEQ	PART CODE	PART NAME	U/S	REMARK
1	14310HC8100	BODY COMP, MUFFLER (GD250N)	1	
2	14150HC8100	PIPE COMP, EXHAUST (GD250N)	1	
3	14411HC8100	BRACKET, MUFFLER PLATE	1	
4	09106H08141	BOLT, MUFFLER SUPPORT (GD250N)	1	BLACK -> White
5	08319-31088	NUT,PILLION FOOTREST	1	
6	01421-08258	STUD BOLT,EXHAUST PIPE (FX)	2	
7	09143H08001	NUT,EXHAUST PIPE (GV)	2	
8	14181-46E00	GASKET EXHAUST PIPE (GSX)	1	
9	14773H99D01	GASKET, EXHAUST FT PIPE CONNEC	1	
10	14770HG5803PAM	CONNECTOR COMP,EXHAUST PIPE	1	17770HG5803PAM+09103H08254=14770HC8100
10-0-1	09103H08254	BOLT,CALIPER (GV)	1	[2014/10/6]
10-1	09103H08254	BOLT,CALIPER (GV)	1	
11	37950H99D01	SENSOR ASS'Y, OXYGEN (GV700C)	1	

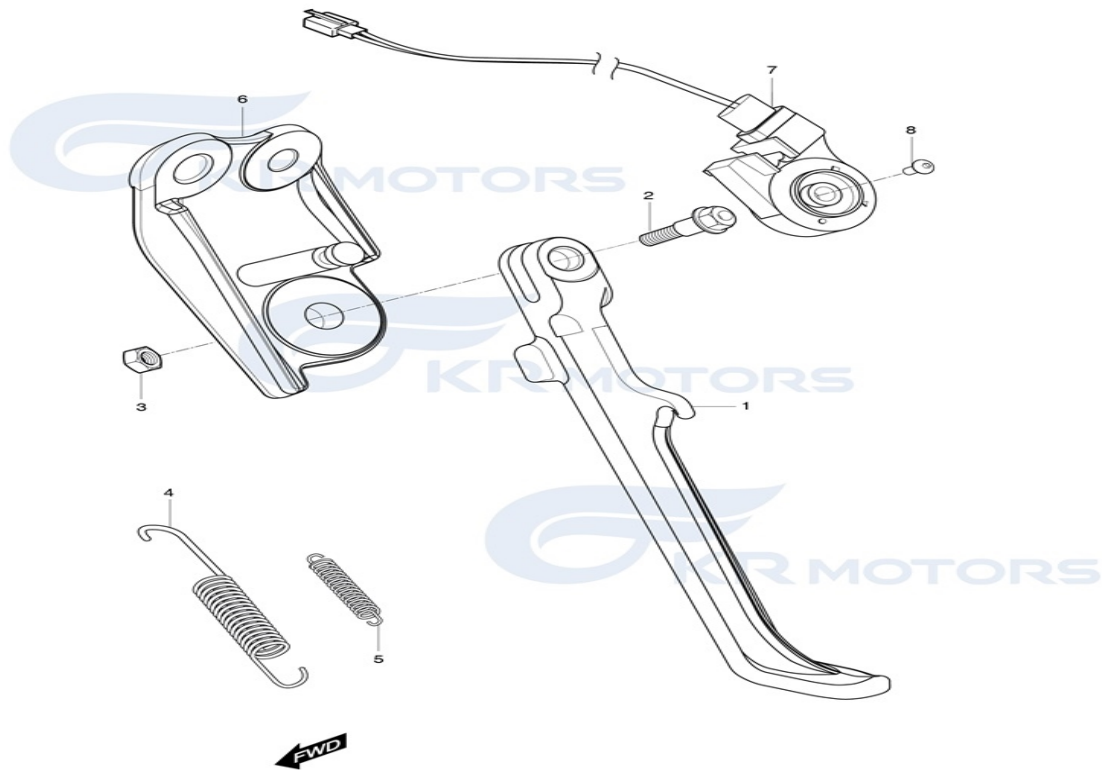
FIG 12



SEQ	PART CODE	PART NAME	U/S	REMARK
1	16510HC8100HAS	FILTER,E/GOIL(GD250)	1	
2	09362H14001	UNION,ENGINE OIL FILER (MS3)	1	
3	16520-05202	STRAINER,ENG OIL	1	
4	16523-05200	CAP,OIL STRAINER	1	
5	09168H14003	GASKET,OIL CHECK PLUG (SB)	1	
6	09247-14026	PLUG,BOLT	1	
7	09280-60005	O/RING,OIL STRAINER CAP	1	
8	01547-06208	BOLT,OIL STRAINER CAP	3	
9	02112-95126	SCREW,ENGINE OIL STATER	2	
10	09168H14003	GASKET,OIL CHECK PLUG (SB)	1	
11	09247-14019	PLUG,OIL DRAIN (GT650)	1	
12	16400HG5103	PUMP ASS'Y, OIL (GD250N)	1	
13	02112-06258	SCREW (GV650)	3	
14	08211-08141	WASHER,O/P DRIVE GEAR NO1	1	
15	08332-11069	CIRCLIP,OIL PUMP DRIVE GEAR	1	
16	16419HG5100	BUSH,OIL PUMP (GV)	1	
17	09206-08001	PIN,MAGNET COVER (GT&GV)	2	
18	16331HG5102	GEAR,OIL PUMP DRVN (GV)	1	

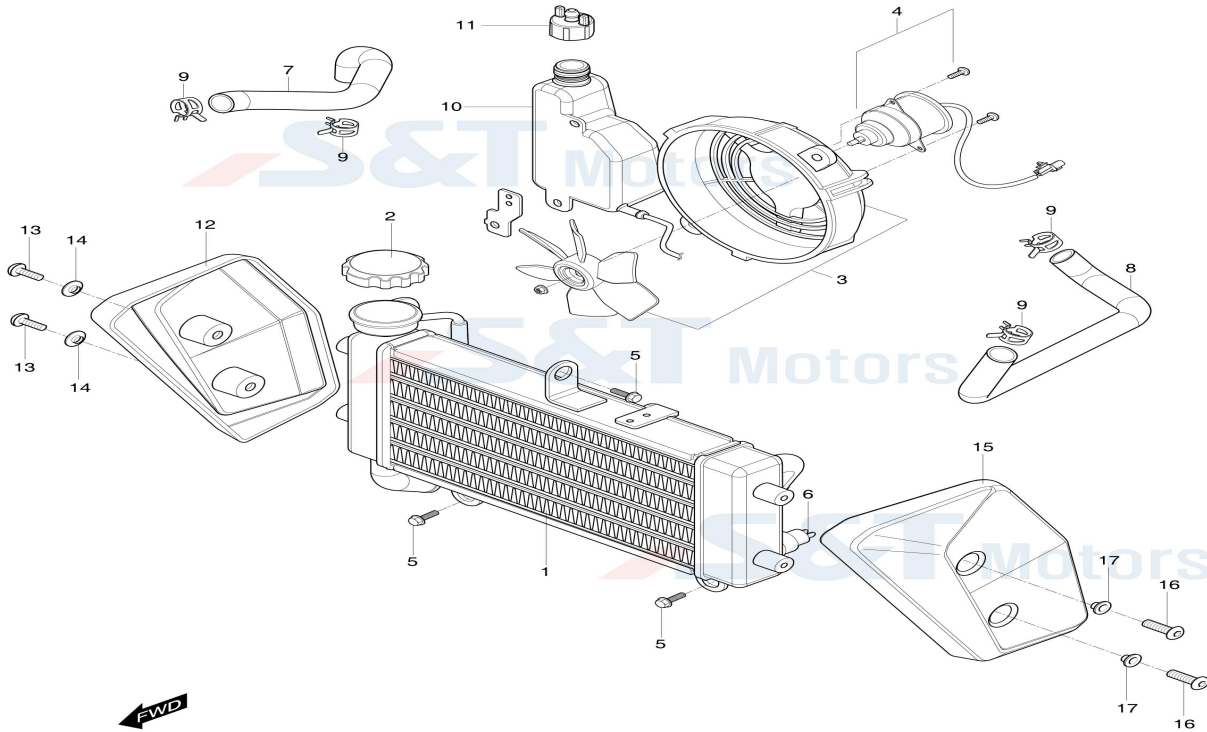
19	09261-02001	PIN,OIL PUMP	1
20	16431HG5104	GEAR,OIL PUMP IDLE (GV)	1
21	16451HG5101	SHAFT,OIL PUMP IDLE GEAR (GV)	1
22	08331-31109	CIRCLIP (GV)	1
23	08331-31109	CIRCLIP (GV)	1
24	08211-10181	WASHER (GV)	2

FIG 28



SEQ	PART CODE	PART NAME	U/S	REMARK
1	42311HC8100	STAND, PROP (GD250N)	1	
2	09111H10045	BOLT, PROP STAND (GD250)	1	
3	08310-22106	NUT,PROP STAND (GV)	1	
4	09443-15047	SPRING,CENTER STAND	1	
5	09443-06001	SPRING,PROP STAND INN(SB-FN02)	1	
6	42340HC8101	BRKT COMP,PROP STAND (GD250N)	1	=42340HC8100+94612HC8100
7	37840HC8100	SWITCH ASSY, PROP STAND(GD250)	1	
8	09106H06150	WRENCH BOLT 6*15MM (GT650)	1	

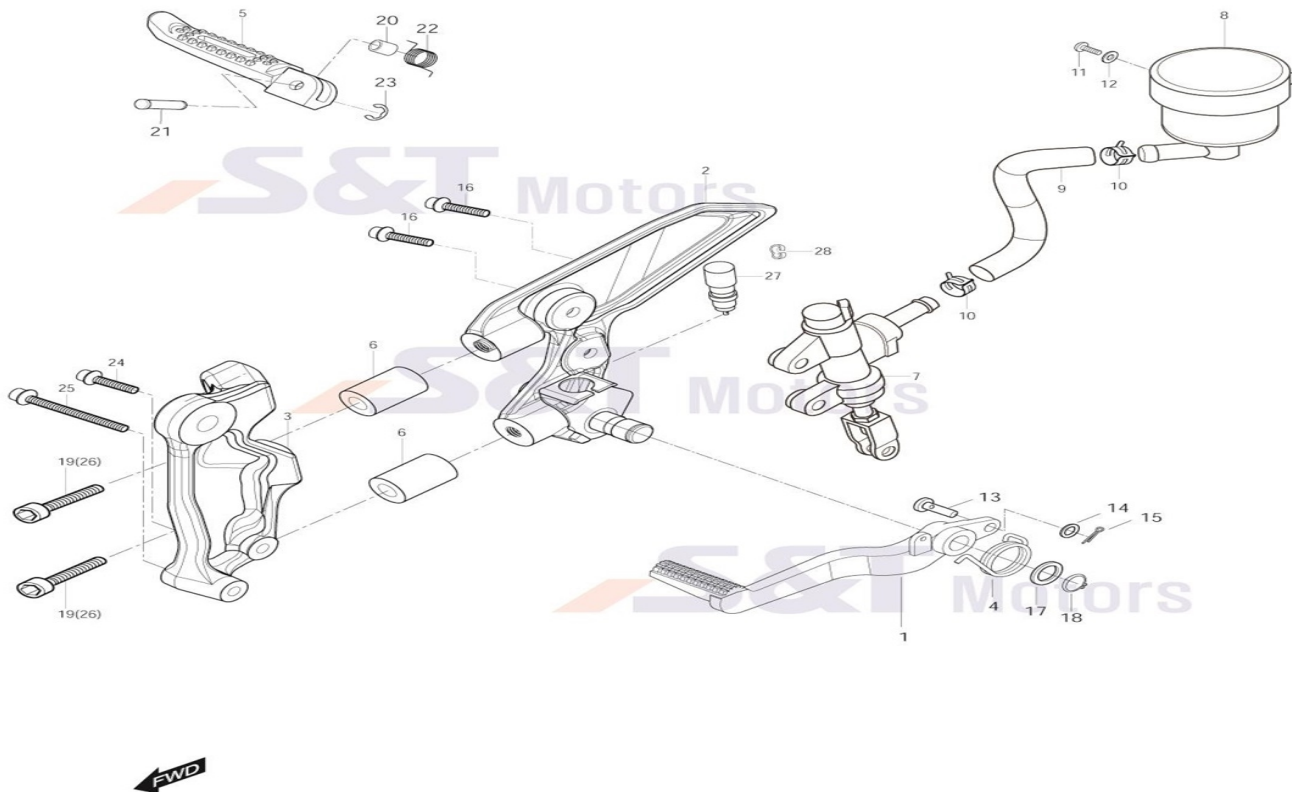
FIG 13



SEQ	PART CODE	PART NAME	U/S	REMARK
1	17700HC8100	RADIATOR ASS'Y, WATER (GD250N)	1	
2	17720HC8100	CAP COMP, RADIATOR (GD250N)	1	
3	17800HC8100	FAN ASS'Y, RADIATOR (GD250N)	1	
4	17810HC8100	MOTOR ASS'Y, RADIATOR FAN (GD)	1	
5	01517-06205	BOLT,SPORT CARRIER (FX)	3	
6	17860HC8100	SWITCH ASS'Y, THERMO (GD250N)	1	
7	17741HC8101	HOSE, RADIATOR INLET	1	
8	17761HC8101	HOSE, RADIATOR OUTLET (GD250N)	1	
9	09401H24402	CLAMP,CONNECTOR INLET HOSE(GT6	4	
10	17910HC8100	TANK ASS'Y, RESERVOIR (GD250N)	1	
11	17921HC8100	CAP, RESERVOIR TANK (GD250N)	1	
12	94471HC8100CLG	COVER, RADIATOR R (GD250N)	1	MY14
12-1	94471HC8100CBK	COV,RADIATOR RH	1	MY15
13	09106H06150	WRENCH BOLT 6*15MM (GT650)	2	
14	09169H06078	WASHER,FRONT FENDER (GT650)	2	
15	94472HC8100CLG	COVER, RADIATOR L (GD250N)	1	
15-1	94472HC8100CBK	COV,RADIATOR LH	1	MY15
16	09106H06150	WRENCH BOLT 6*15MM (GT650)	2	



FIG 29

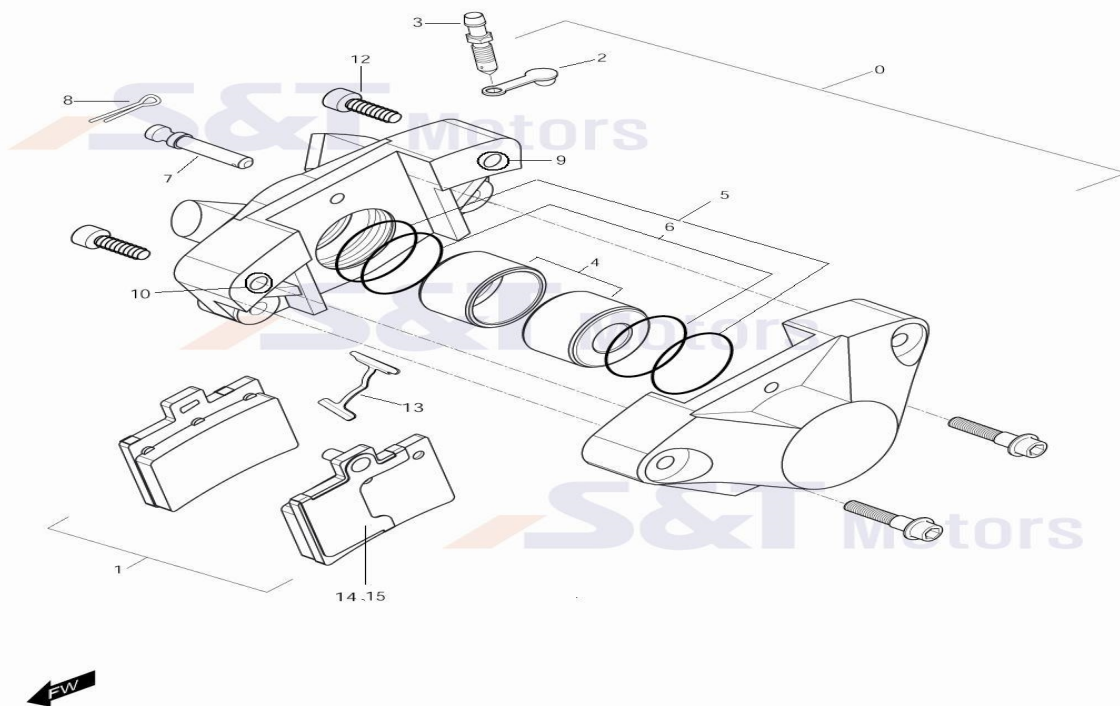


SEQ	PART CODE	PART NAME	U/S	REMARK
1	43110HM810003P	PEDAL COMP,BRAKE (GT250)	1	
2	43530HC8100	BRKT FRONT FOOTREST R (GD250N)	1	
3	43550HC8101	BKT,F/T FOOTREST BACK R(GD250)	1	
4	09448H30004	SPRING,BRAKE PEDAL RETURN(GT25)	1	
5	43561HC9701	FOOTREST,FRONT RH	1	
6	43570HC8100	SPC,FT FOOT ADJUSTER(GD250N)	2	
7~9	69609HC8100	CYLINDER SET, REAR MASTER	1	
10	09400H13001	CLAMP,RESERVER TANK HOSE(GT250)	2	
11	01517-06168	BOLT,STEERING LOCK (SD)	1	
12	09160-06019	WASHER	1	
13	09200H06040	PIN,REAR MASTER CYLINDER(GT250)	1	
14	08322-21068	WASHER HEAD LAMP AIMING	1	
15	04111-20208	COTTER PIN	1	
16	07120-08208	BOLT,CALIPER (GT250RN)	2	
17	09160H15002	WASHER,BRAKE PEDAL (GT250)	1	
18	08331-31159	CIRCLIP,KICK IDLE	1	
19	07110-10658	BOLT,FT FOOT BKT&STEP(GD250N)	2	

20	09180H08008	SPACER FRONT FOOTREST	1
21	43579HM8101	PIN,FRONT FOOTREST (GT250)	1
22	09448H14008	SPRING FRONT FOOTREST(GD250N)	1
23	08332-11079	E-RING	1
24	07120-08358	BOLT,CALIPER (GV650)	1
25	07120-08608	BOLT,CRANK CASE (GT650)	1
26	07110-10358	BOLT,MUFFLER SUPPORT	2
27	37740HN9100	SWITCH ASS'Y,REAR STOP (GT650)	1
28	09408-00002	CLIP,CABLE	1

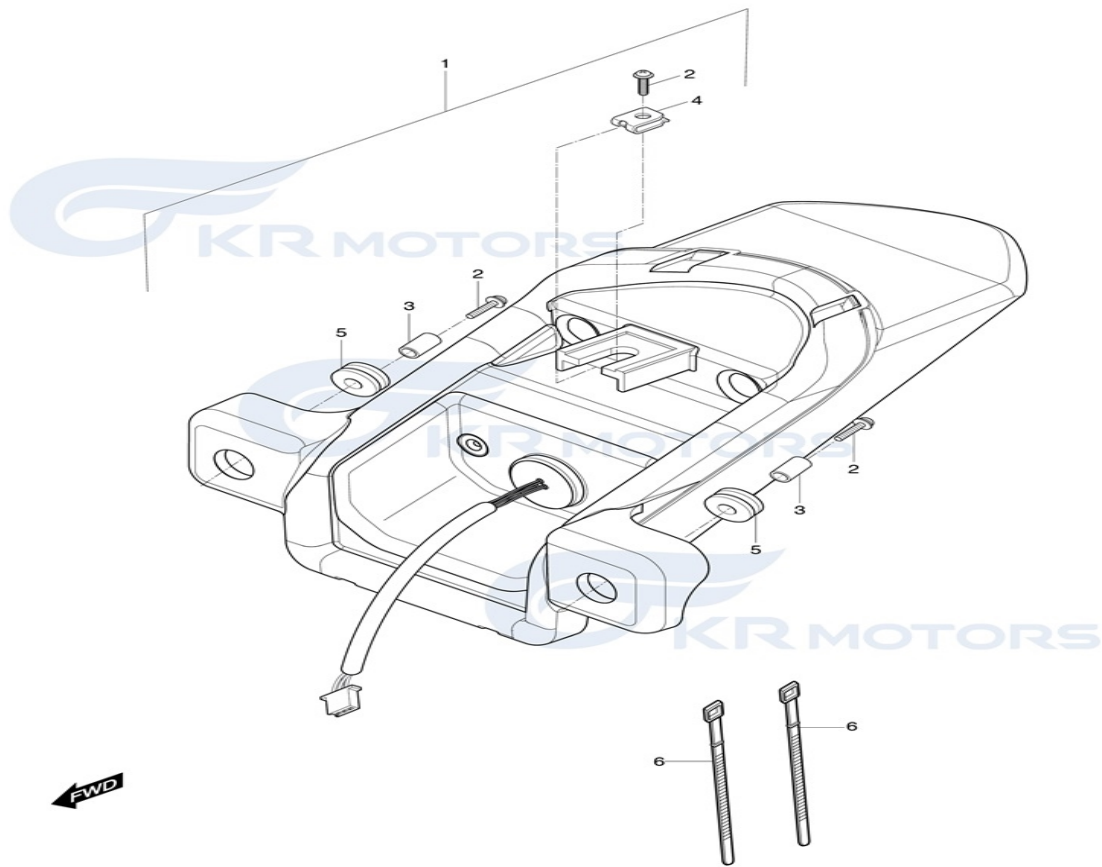


FIG 49



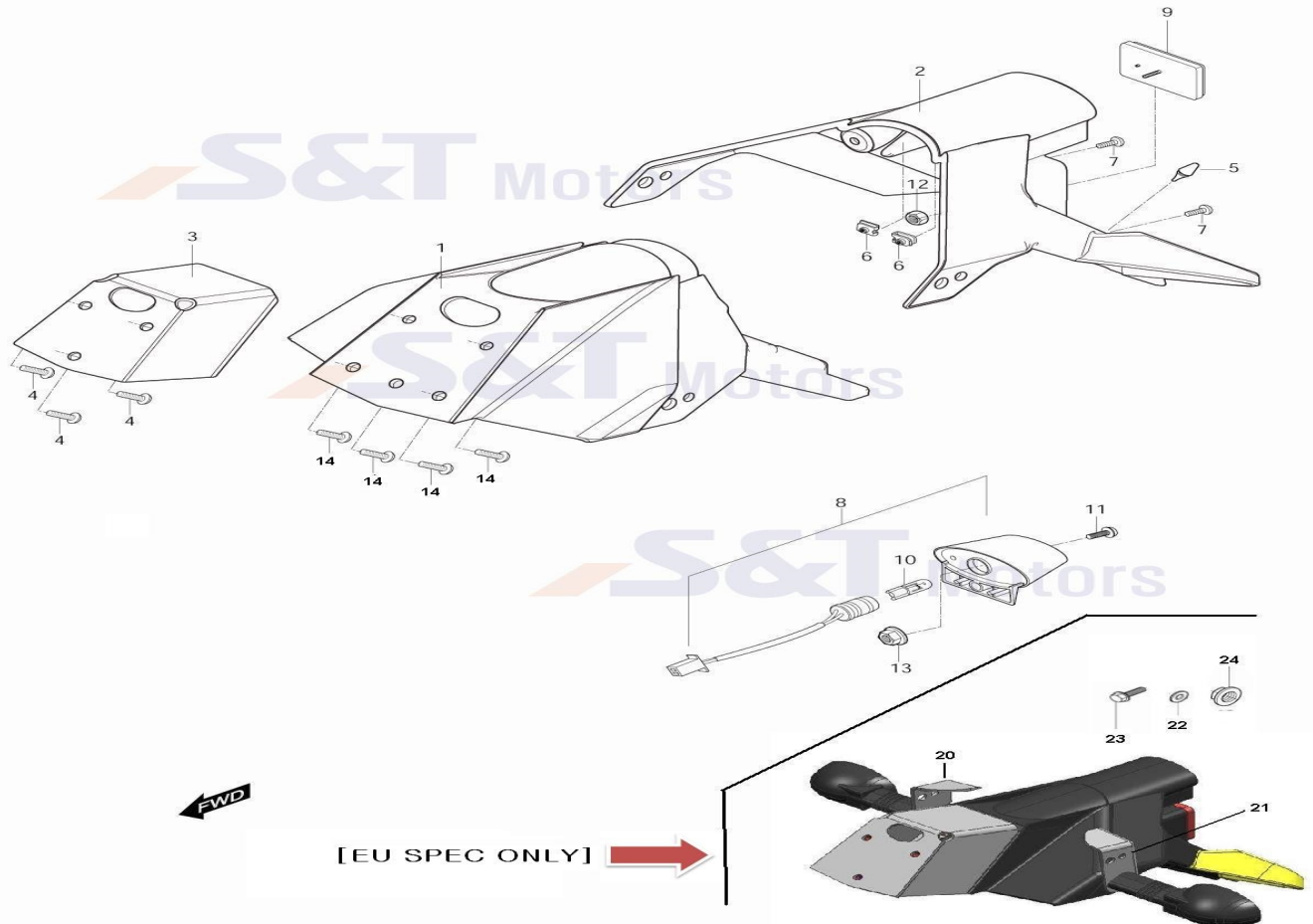
SEQ	PART CODE	PART NAME	U/S	REMARK
0	69300HC8100	CALIPER ASSY,REAR BRAKE(GD250)	1	
1	69301HC8100	PAD SET, BRAKE	1	
2	69321HC8100	CAP, BLEEDER	1	
3	69322HC8100	BLEEDER	1	
4	69323HC8100	PISTON, CALIPER	2	
5	69324HC8100	SEAL, PISTON	2	
6	69325HC8100	DUST SEAL	2	
7	69326HC8100	BOLT	1	
8	69370HC8100	COTTER PIN, REAR BRAKE	1	
9	69380HC8100	O-RING	1	
10	69380HC8100	O-RING	1	
12	69320HC8100	BOLT	2	
13	69350HC8100	SPRING, REAR BRAKE PAD	1	
14	69362HC8100	SHIM, BRAKE PAD OUTER	1	
15	69361HC8100	SHIM, BRAKE PAD INNER	1	

FIG 26



SEQ	PART CODE	PART NAME	U/S	REMARK
1	35710HC8100	LAMP ASS'Y, TAIL&STOP (GD250N)	1	
2	09136H06022	SCREW, COWLING	3	
3	09180-06011	SPACER, BATT HOLE	2	
4	09148-06020	NUT	1	
5	09320-09016	CUSHION, TOOL HOLDER	2	

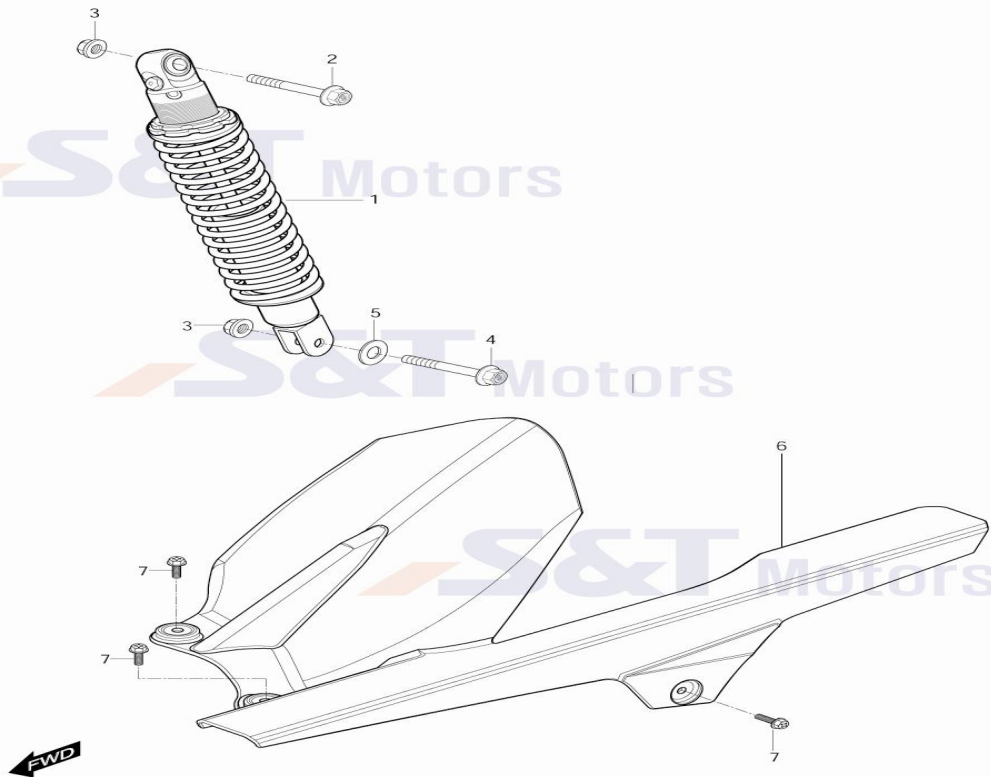
FIG 33



SEQ	PART CODE	PART NAME	U/S	REMARK
1	63111HC8100	REAR FENDER REAR NO,1 (GD250N)	1	
2	63112HC8100	REAR FENDER REAR NO,2 (GD250N)	1	
3	63120HC8100PAM	ADAPTOR, REAR FENDER (GD250N)	1	
4	02142-06165	SCREW,LEG SHIELD LOWER(GT250RN)	3	
5	09321-06023	CUSHION,LICENCE PLATE	1	
6	08316-26055	NUT,FRONT TURN SIGNAL LAMP	2	
7	03241-05125	SCREW LOWER COVER CENT (EZ,	2	
8	35910HP7600	LAMP ASSY,LICENSE PLATE (GT)	1	
9	35970-17303	REFLEX,REFLECTOR ASS'Y,REAR(FX	1	
10	09471-12110	BULB,POSITION LAMP(12V W5W)(GA	1	
11	02112-05205	SCREW,LICENSE LAMP (GT650RN)	1	
12	08310-11055	NUT,REAR REAR	1	
13	08316-26055	NUT,FRONT TURN SIGNAL LAMP	1	
14	09136-06017	SCREW,AIR CLENR	4	
20	63113HC8100	BRACKET,RR TURN SIGNAL LAMP	1	
21	63114HC8100	BRACKET,RR TURN SIGNAL LAMP	1	
22	09160-06019	WASHER	2	

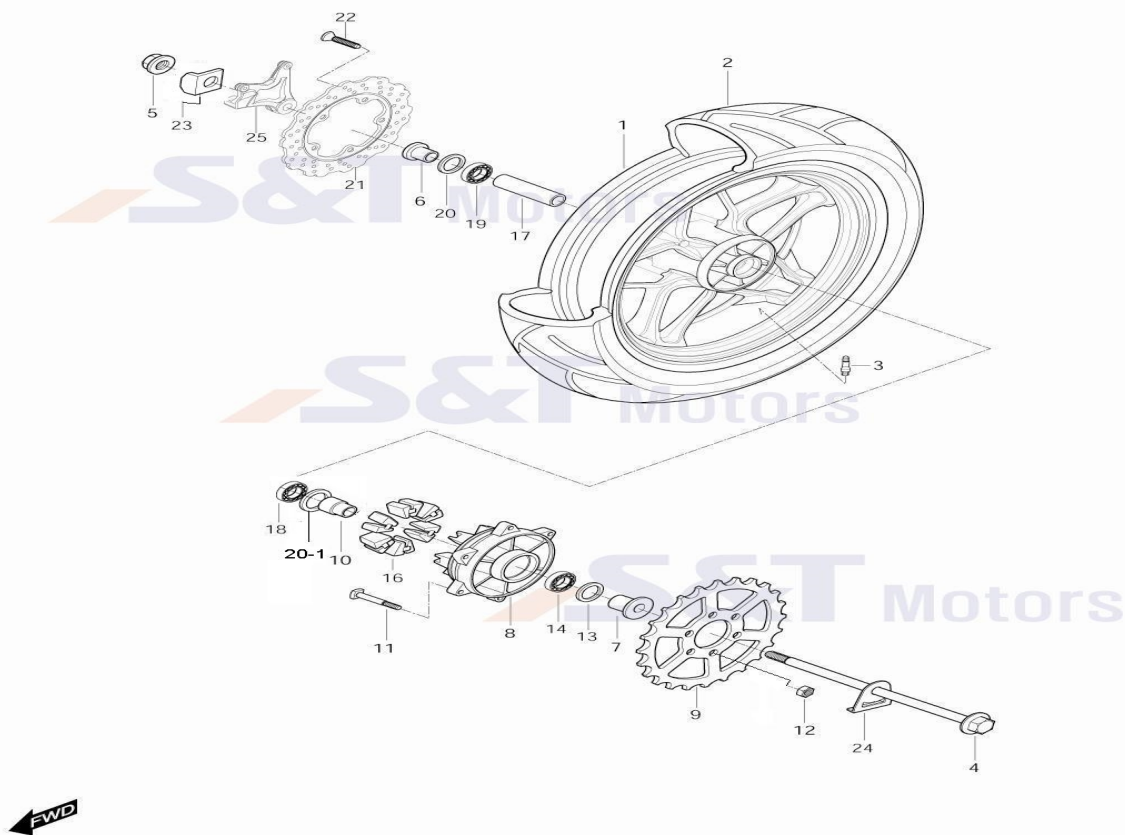
23	01517-06205	BOLT,SPORT CARRIER (FX)	2
24	08316-26066	NUT,REAR COMBI LAMP	2

FIG 46



SEQ	PART CODE	PART NAME	U/S	REMARK
1	62100HC8100	SHOCK ABSORBER ASSY,RR(GD250N)	1	WHITE
1-1	62100HC8100D02	SHOCK ABSORBER ASSY,RR(GD250R)	1	RED
2	09103H10101	BOLT,HANDLE BAR SET (EZ)	1	
3	08319-31108	NUT,FRONT SORBER	2	
4	09103H10101	BOLT,HANDLE BAR SET (EZ)	1	
6	61310HC8100	CASE COMP, CHAIN (GD250N)	1	
7	01517-06125	BOLT,COVER CYLINDER HEAD	3	

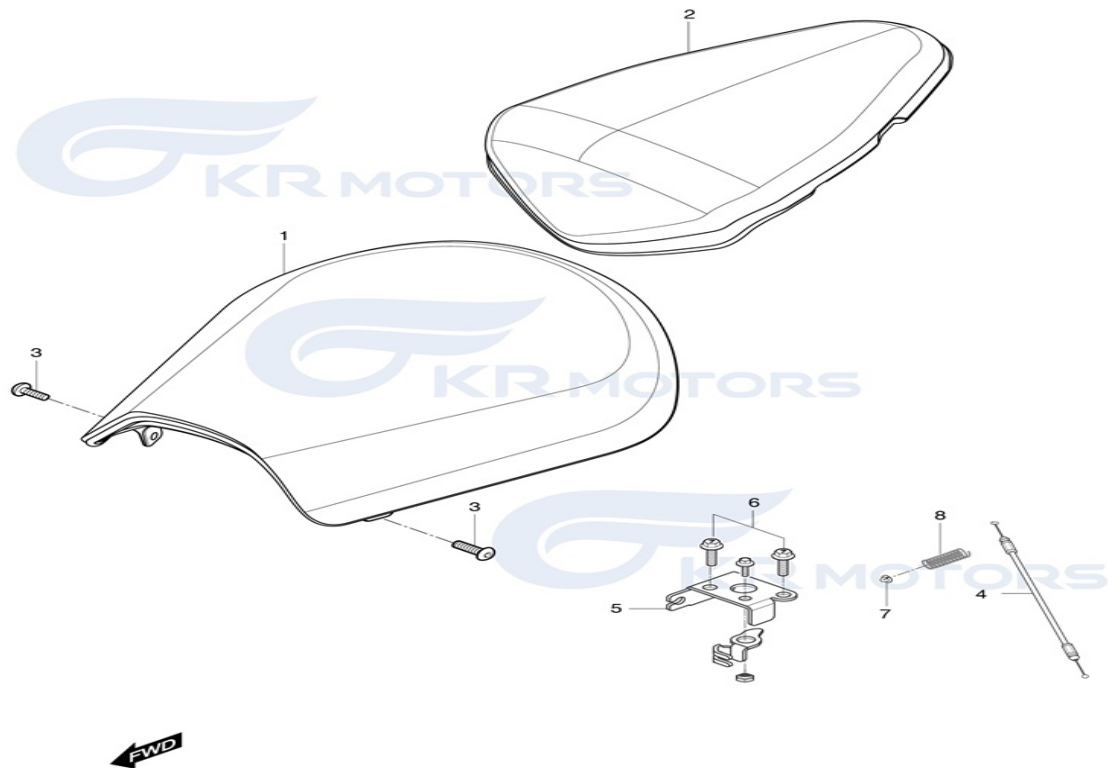
FIG 47



SEQ	PART CODE	PART NAME	U/S	REMARK
1	64150HC8100	WHEEL COMP,RR (J17×MT4.00)(	1	WHITE
1-1	64150HC8100120	WHEEL COMP,RR (J17×MT4.00)(	1	BLACK
2	65101HC8100	TIRE COMP, REAR (150/60-17 66S	1	
3	55220-29C20	VALVE ASS'Y	1	
4	64711HC8100	AXLE, REAR (GD250N)	1	
5	09159H16002	NUT,REAR AXLE (GT250)	1	
6	64741HM8100	SPACER,REAR AXLE R (GT250)	1	
7	64751HM8100	SPACER,REAR AXLE L (GT250)	1	
8	64611HN9150120	DRUM,RR SPROCKET MOUNTING(GT650	1	
9	64511HM8104	SPROCKET,REAR	1	=64511HC8100
10	64733HM8100	RETAINER,RR MOUNT'G DRUM(GT250	1	
11	01517-08358	BOLT,PILLION RIDER REAR (FXM)	6	
12	08319-31088	NUT,PILLION FOOTREST	6	
13	09285-28001	OIL SEAL REAR DRUM	1	
14	08133-62047	BEARING,REAR SPROCKET DRUM(GT)	1	
16	64651HM8101	HUB,S/ABSORBER (GT650)	6	
17	64731HM8100	SPACER,REAR WHEEL BEARING(GT25	1	

18	08133-62037	BEARING,REAR HUB R/L (RT125	1
19	08133-62037	BEARING,REAR HUB R/L (RT125	1
20-1	09280-55001	OIL RING,REAR HUB L (GT250)	1
20-2	09283-27010	OIL SEAL,REAR AXLE	1
21	69211HC8100	DISC, REAR BRAKE (GD250N)	1
22	59421-03A01	BOLT,FRONT BRAKE DISK (SBS)	5
23	61411HN9100	PLATE,CHAIN ADJUSTER R (GT650)	1
24	61511HN9100	PLATE,CHAIN ADJUSTER L (GT650)	1
25	69340HC8101	CARRIER, CALIPER (GD250N)	1 MY 14 (November, 2013~)
26	64160H99D00	WEIGHT,WHEEL BALANCE(WHITE)ST7	1
26-1	64160HC9700	WEIGHT,WHEEL BALANCE(BLACK)	1 BLACK

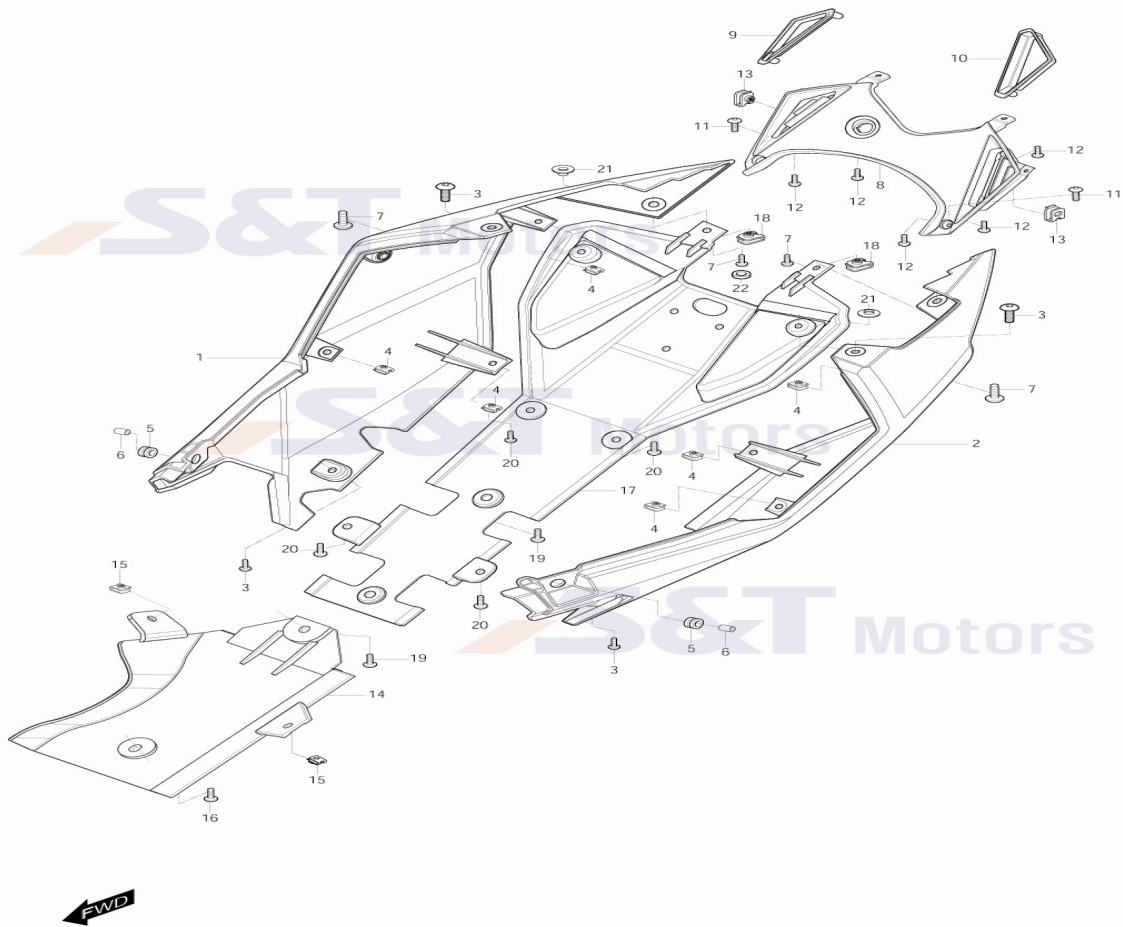
FIG 32



SEQ	PART CODE	PART NAME	U/S	REMARK
1	45110HC8100	SEAT SET, FRONT (GD250N)	1	
2	45200HC8100	SEAT SET, REAR (GD250N)	1	
3	09106H06150	WRENCH BOLT 6*15MM (GT650)	2	
4	45280HC8100	CABLE COMP, SEAT LOCK (GD250N)	1	
5	45220HC8100	LOCK ASSY, SEAT STRIKER (GD250N)	1	
6	01547-06308	BOLT, MAGNET & CLUTCH COVER (EZ)	2	
7	45285HC8100	GUIDE, SEAT LOCK CABLE SPRING	1	
8	09440-11016	SPRING GEAR SHIFT CAM STOP	1	



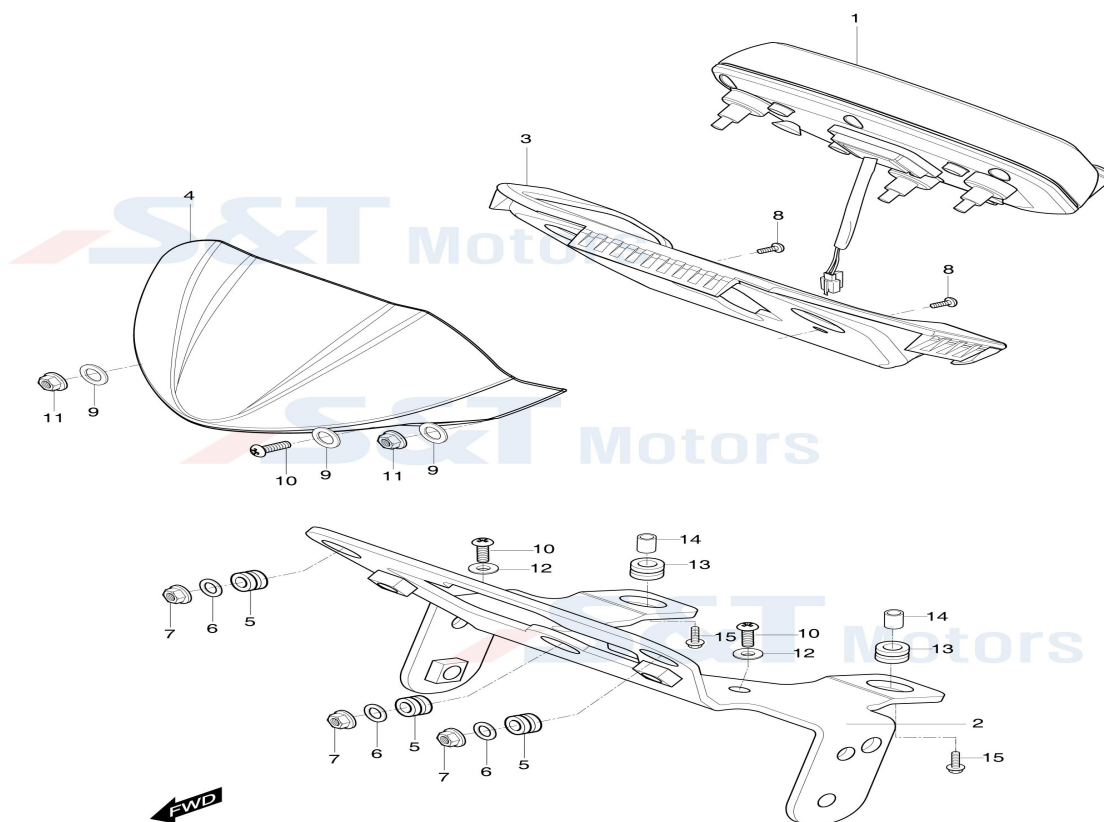
FIG 34



SEQ	PART CODE	PART NAME	U/S	REMARK
1-1	47111HC8100CST	COVER, SIDE R (GD250N)	1	MY14
1-1-1	68124HC8150015	EMBLEM, "HYOSUNG" TAIL COVER R	1	MY14, COLOR:VB, VM, WP
1-1-2	68124HC8150363	EMBLEM, "HYOSUNG" TAIL COVER R	1	MY14, COLOR: SBK
1-2	47111HC8100CLG	COVER, SIDE R (GD250R)	1	MY15, COLOR:DR, LG
1-3	47111HC8100CWP	COVER, SIDE R (GD250R)	1	MY15, COLOR:WP
1-3-1	68124HD8550D02	EMBLEM, TAIL COVER RH (HYOSUNG)	1	MY15
2-1	47211HC8100CST	COVER, SIDE L (GD250N)	1	MY14
2-1-1	68126HC8150015	EMBLEM, "HYOSUNG" TAIL COVER L	1	MY14, COLOR:VB, VM, WP
2-1-2	68126HC8150363	EMBLEM, "HYOSUNG" TAIL COVER L	1	MY14, COLOR: SBK
2-2	47211HC8100CLG	COVER, SIDE L (GD250R)	1	MY15, COLOR:DR, LG
2-3	47211HC8100CWP	COVER, SIDE L (GD250R)	1	MY15, COLOR:WP
2-3-1	68126HD8550D02	EMBLEM, TAIL COVER LH (HYOSUNG)	1	MY15
3	09106H06150	WRENCH BOLT 6*15MM (GT650)	4	
4	09148H05030	NUT,SIDE COVER (GT)	6	
5	09320-10015	CUSHION OIL COOLER (GA)	2	
6	09180H06078	SPACER,FRONT SEAT (GT650RN)	2	

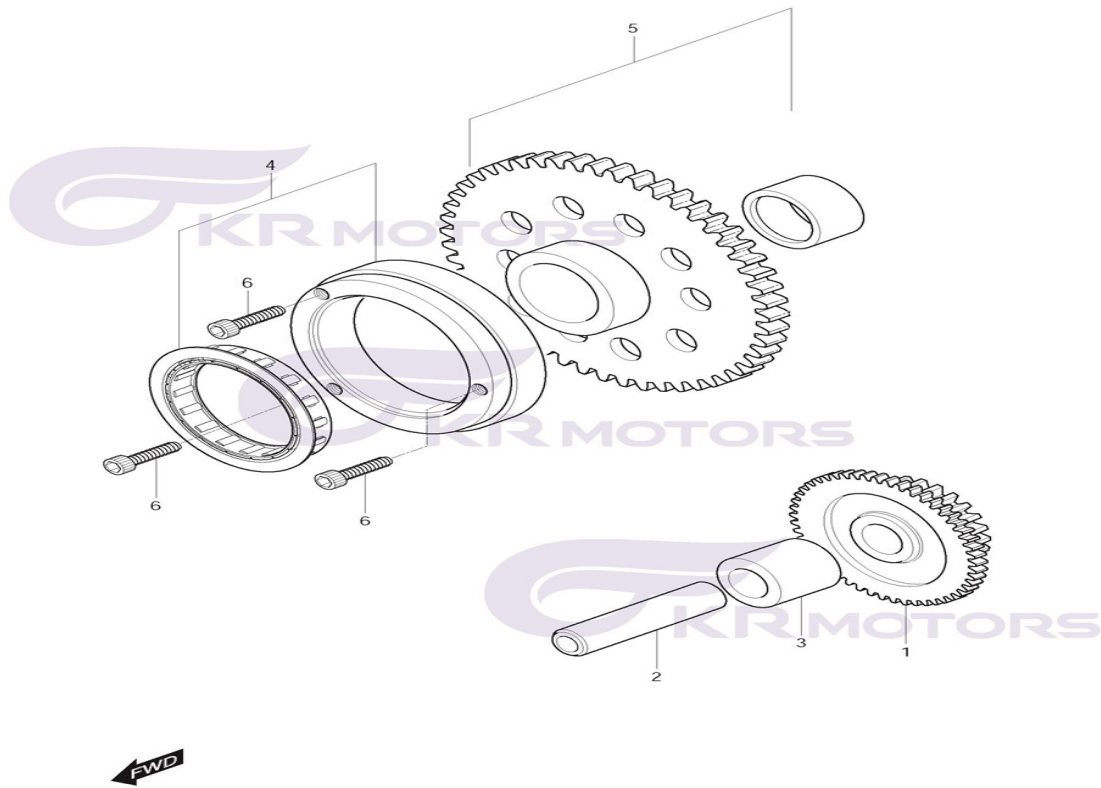
7	09106H05120	SCREW, SIDE COVER R & UNDER	4
8	47311HC8100CBK	COVER, SIDE CENTER (GD250N)	1 MY14, MY15
9-1	47112HC8100CVB	COVER, SIDE DECO R (GD250N)	1 MY14, COLOR:VB
9-2	47112HC8100CVM	COVER, SIDE DECO R (GD250N)	1 MY14, COLOR:VM
9-3	47112HC8100CWP	COVER, SIDE DECO R (GD250N)	1 MY14, COLOR:WP
9-4	47112HC8100CDR	COVER, SIDE DECO R (GD250R)	1 MY15
10-1	47212HC8100CVB	COVER, SIDE DECO L (GD250N)	1 MY14, COLOR:VB
10-2	47212HC8100CVM	COVER, SIDE DECO L (GD250N)	1 MY14, COLOR:VM
10-3	47212HC8100CWP	COVER, SIDE DECO L (GD250N)	1 MY14, COLOR:WP
10-4	47212HC8100CDR	COVER, SIDE DECO L (GD250R)	1 MY15
11	09106H05120	SCREW, SIDE COVER R & UNDER	2
12	03241-05125	SCREW LOWER COVER CENT (EZ,	4
13	09148H05030	NUT,SIDE COVER (GT)	2
14	47411HC8100	COVER,SIDE UNDER FRONT(GD250N)	1
15	09148H05030	NUT,SIDE COVER (GT)	2
16	09106H06150	WRENCH BOLT 6*15MM (GT650)	1
17	47412HC8100	COVER, SIDE UNDER REAR(GD250N)	1
18	09148H05030	NUT,SIDE COVER (GT)	2
19	09106H06150	WRENCH BOLT 6*15MM (GT650)	2
20	09106H05120	SCREW, SIDE COVER R & UNDER	4
21	09169H06078	WASHER,FRONT FENDER (GT650)	2
22	09320H12060	GROMMET,SEAT TAIL COVER (GV)	1

FIG 22



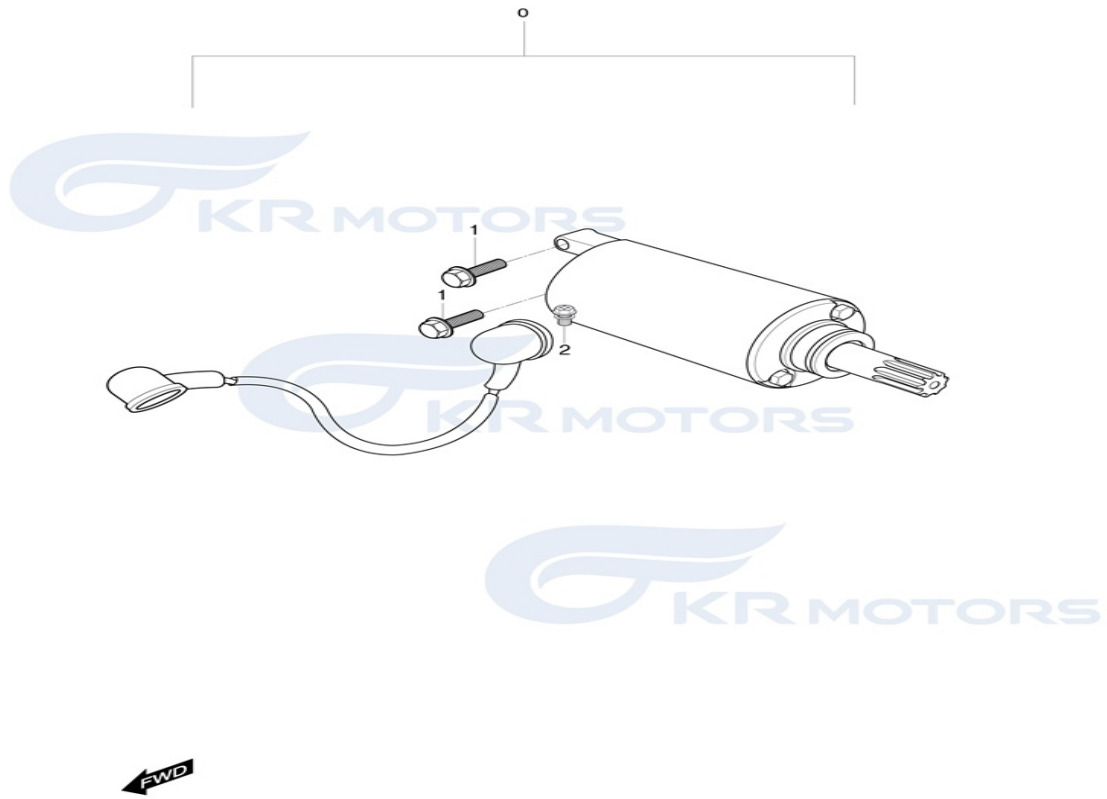
SEQ	PART CODE	PART NAME	U/S	REMARK
1	34100HC8100HAS	SPEEDOMETER (GD250N)	1	
2	51550HC8100	BRACE COMP, SP/METER (GD250N)	1	
3	94642HC8100	COVER SP/METER REAR (GD250N)	1	
4	94641HB8100	COVER,SPEEDMETER (GT650P)	1	
5	09320-09016	CUSHION,TOOL HOLDER	3	
6	09169-06034	WASHER,LEG SHIELD	3	
7	08316-26066	NUT,REAR COMBI LAMP	3	
8	09106H06150	WRENCH BOLT 6*15MM (GT650)	2	
9	09169-06034	WASHER,LEG SHIELD	3	
10	09106H06150	WRENCH BOLT 6*15MM (GT650)	3	
11	08316-26066	NUT,REAR COMBI LAMP	2	
12	08322-21065	WASHER,MIRROR	2	
13	94433H07C00	CUSHION SEAT TAIL COVER (GA)	2	
14	09180-06011	SPACER,BATT HOLE	2	

FIG 7



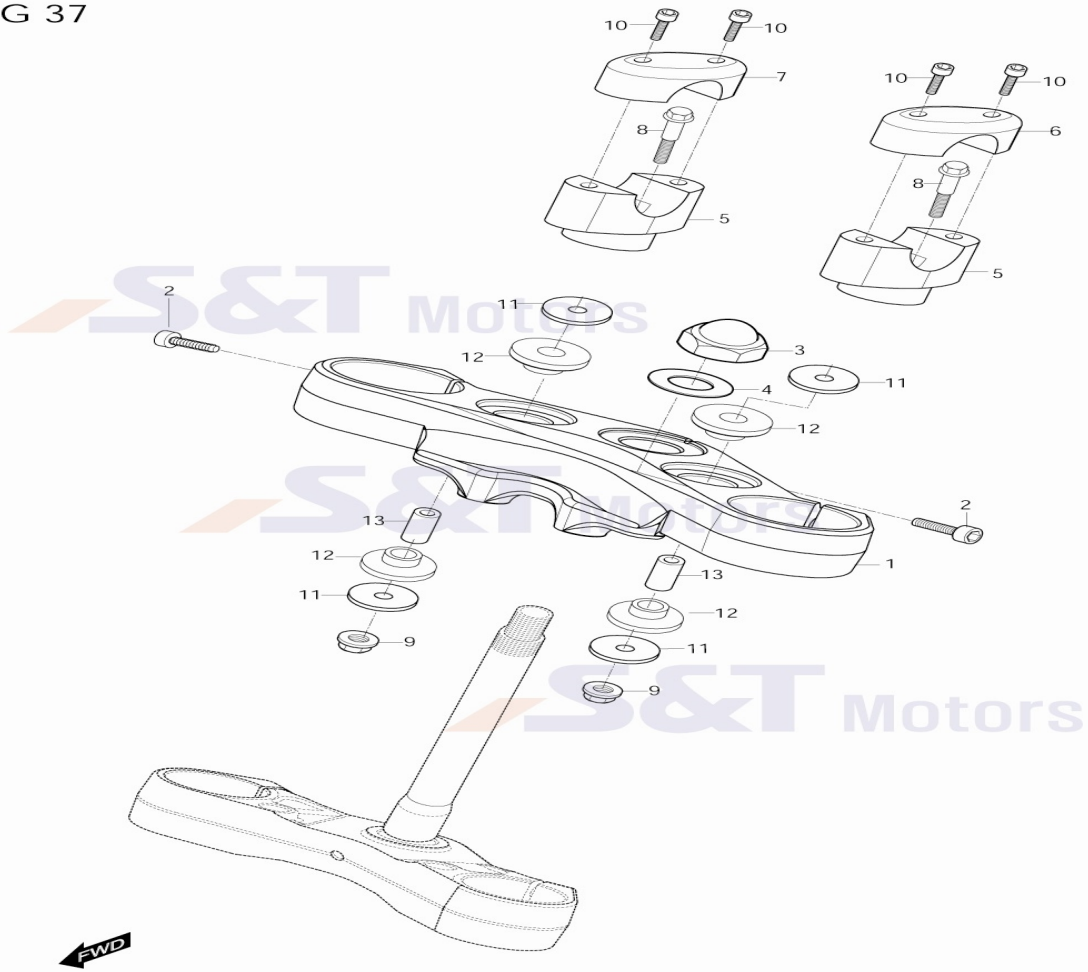
SEQ	PART CODE	PART NAME	U/S	REMARK
1	12611HC8100	GEAR, STARTER IDLE (GD250N)	1	
2	09206-13003	PIN,STARTER IDLE GEAR	1	
3	09180H13002	SPACER, STARTER IDLE GEAR(GD2	1	
4	12614HC8100	CLUTCH, STARTER ONE-WAY (GD2	1	
5	12620HC8101	GEAR COMP, STARTER CLUTCH	1	=12620HP8800

FIG 18



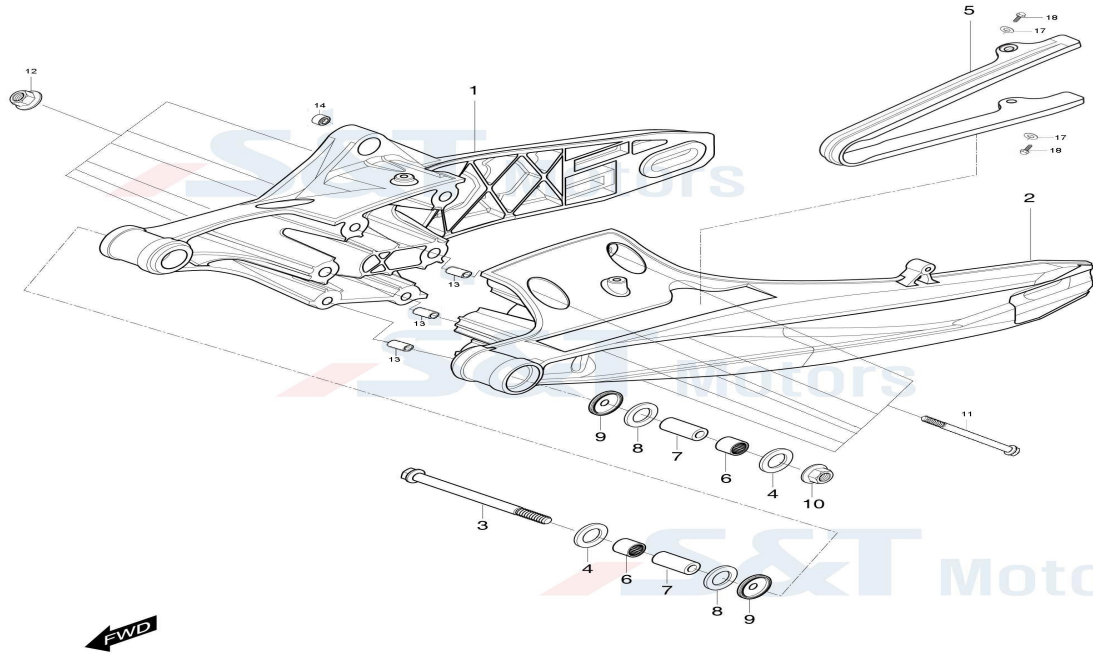
SEQ	PART CODE	PART NAME	U/S	REMARK
0	31100HC8100	MOTOR ASS'Y, STARTING(GD250N)	1	
1	01547-06208	BOLT,OIL STRAINER CAP	1	
2	09137-05004	SCREW,START MOT TERM (GD,GA-F)	1	

FIG 37



SEQ	PART CODE	PART NAME	U/S	REMARK
1	51311HC8100	BRACKET, FT FORK UPPER(GD250N	1	
2	07110-08255	BOLT,EXHAUST PIPE	2	
3	09159H22102	NUT,STEERING UPPER (GT650RN)	1	
4	09160H22031	WASHER,STEERING UPPER (RX)	1	
5	56221HC8100	HOLDER, H/BAR LOWER (GD250N)	2	
6	56212HC8100	HOLDER, HANDLE UPPER LH(GD250)	1	
7	56211HC8100	HOLDER, HANDLE UPPER RH	1	
8	09100H10618	BOLT,HANDLE HOLDER LOW(GD250N)	2	
9	08319-31108	NUT,FRONT SORBER	2	
10	07110-08255	BOLT,EXHAUST PIPE	4	
11	09160-10102	WASHER,MUFFLER SPORT	4	
12	56231HC8100	CUSHION,HANDLE HOL LOW(GD250N)	4	
13	09180HC8100	SPC,HANDLE HOLDER CUSH(GD250N)	2	

FIG 45

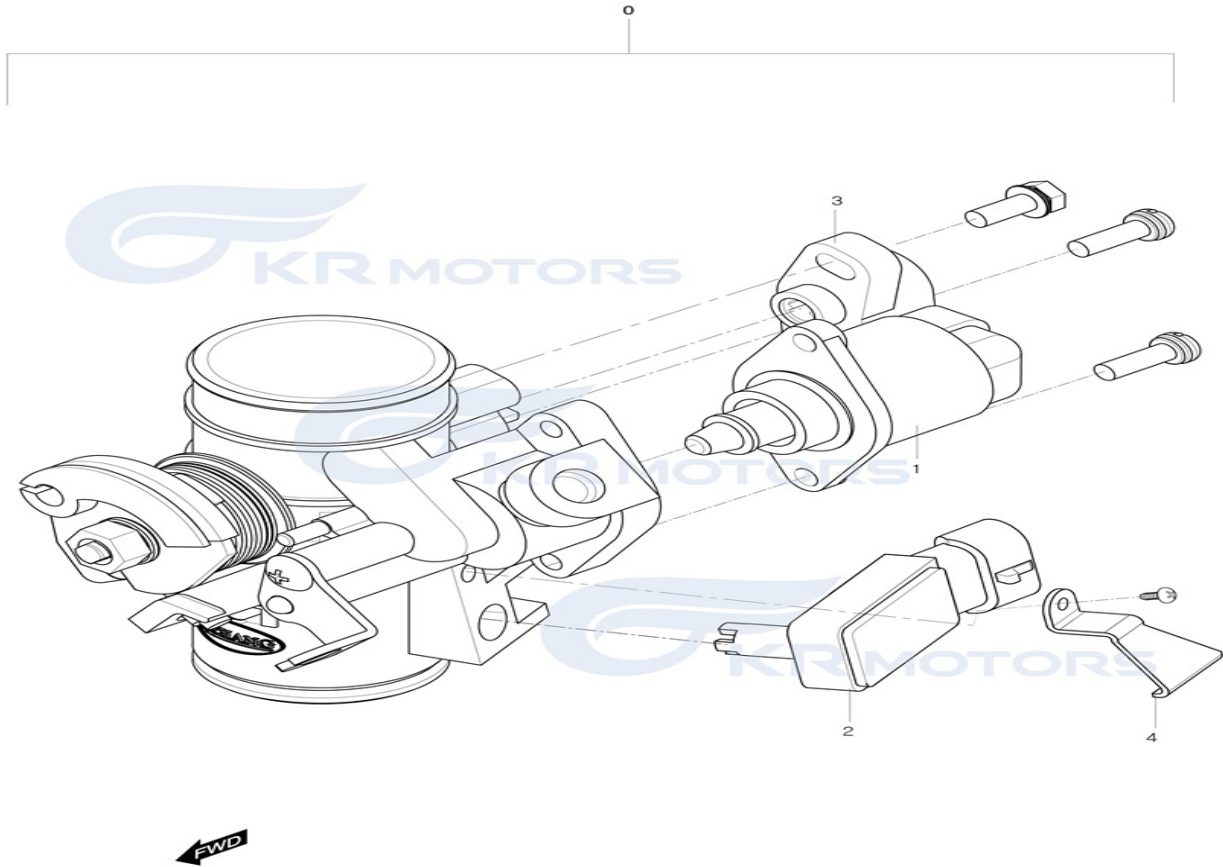


SEQ	PART CODE	PART NAME	U/S	REMARK
0	61000HC8100HPA	SWINGINGARM ASS'Y, REAR(GD250)	1	
1	61110HC8101	SWINGINGARM COMP, REAR RH	1	=61110HC8100
1-1	61110HC8100HPA	S/ARM REAR ASSY RH (GD250N)	1	...+BEARING+...
2	61120HC8101	S/ARM COMP, REAR LH (GD250N)	1	=61120HC8100
2-1	61120HC8100HPA	S/ARM REAR ASSY LH (GD250N)	1	...+BEARING+...
3	61211HC8100	SHAFT,REAR S/ARM PIVOT(GD250N)	1	
4	09284-26002	SEAL,FRONT HUB R/L INNER(TE450)	2	
5	61273HC8101	BUFFER, CHAIN DEFENSE(GD250N)	1	=61110HC8100
6	09263-22017	BEARING,REAR SWING	2	
7	61251HC8100	SPC, S/ARM PIVOT BEARING (GD25)	2	
8	09181H17002	SHIM,REVER IDLE GR THRUST(TE45)	1	
9	09284H38003	DUST SEAT,RR S/ARM PIVOT(TE450)	2	
10	08319-31128	NUT,SWING ARM PIVOT	1	
11	01517-10458	BOLT,PILLTON FOOTREST RH	6	
12	08319-31108	NUT,FRONT SORBER	6	
13	04213-13189	PIN,CRANK CASE (GT&GV)	3	
14	09319H10055	BUSH (TE50)	1	
17	09169H06011	WASHER	2	

18	02142-06165	SCREW,LEG SHIELD LOWER(GT250RN	2
19	61411HN9100	PLATE,CHAIN ADJUSTER R (GT650)	1
20	61511HN9100	PLATE,CHAIN ADJUSTER L (GT650)	1
21	09103H08608	BOLT,CHAIN ADJUSTER (GT650)	2
22	08316-16088	NUT,CYLINDER HEAD	2

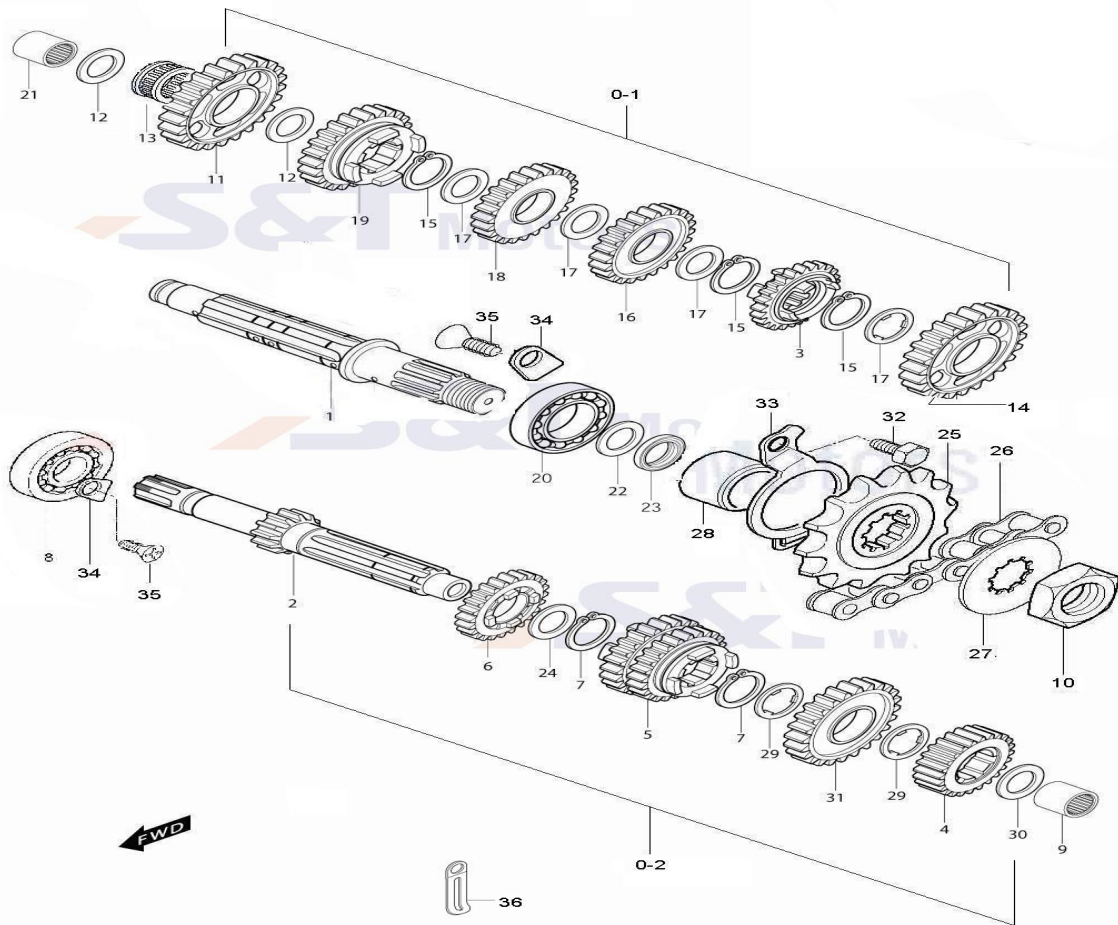


FIG 10



SEQ	PART CODE	PART NAME	U/S	REMARK
0	13400HC8102	BODY ASS'Y, THROTTLE (GD250N)	1	=13400HC8101=13400HC8100
1	37941HR8410	VALVE ISC (GV250)	1	
2	37920HS7610	SENSOR, INTAKE AIR PRESSURE	1	
3	13580H88600	SENSOR, THROTT POSITION(GV250EI)	1	
4	37921HS7610	BRACKET, MAP SENSOR (GD250N)	1	

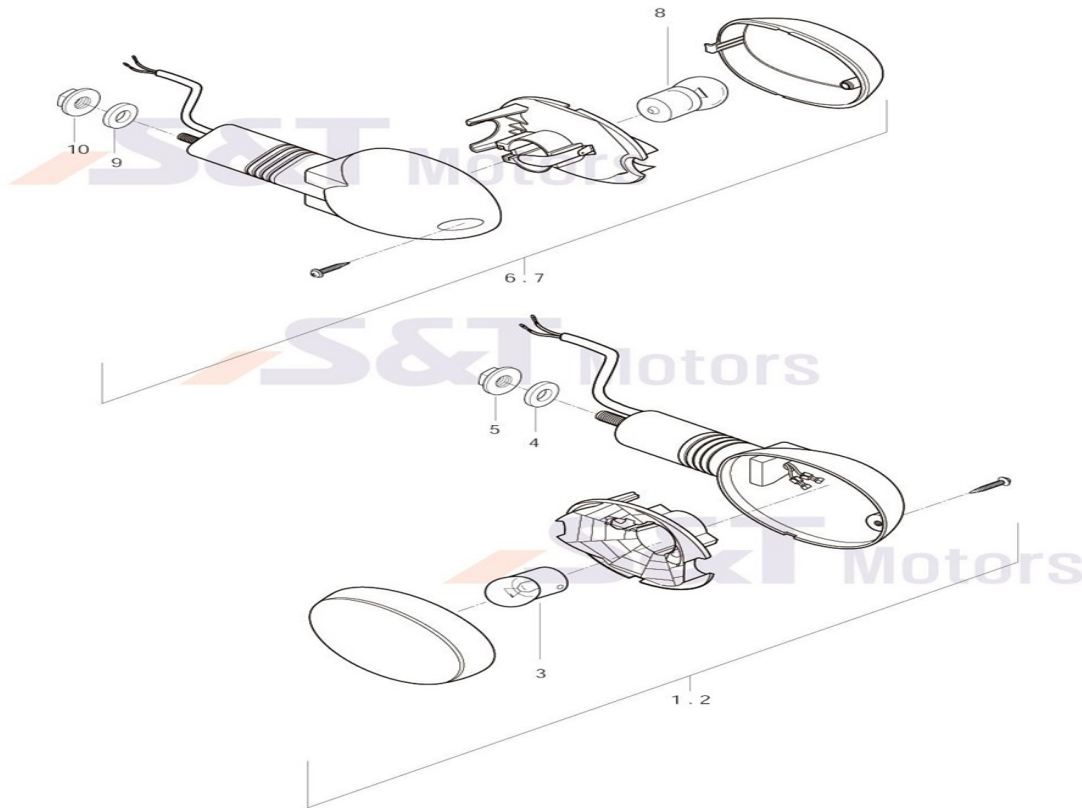
FIG 16



SEQ	PART CODE	PART NAME	U/S	REMARK
0-1	24300HC8100	SHAFT ASSY, DRIVE (GD250N)	1	
0-1-1	24300HC8102	SHAFT ASSY, DRIVE (GD250N)	1	2014.08.01~ Vin No. KM4NF46C7E1500524~ (E/G No.GD250-102675~)
1	24131HC8100	SHAFT, DRIVE (GD250N)	1	24300HC8102
1-1	24131HC8102	SHAFT, DRIVE (GD250N)	1	
0-2	24200HC8100	SHAFT ASSY, COUNTER (GD250N)	1	
2	24121HC8100	SHAFT, COUNTER	1	
3	24361HC8100	GEAR, 6TH DRIVEN (GD250N)	1	24300HC8102
3-1	24361HC8102	GEAR, 6TH DRIVEN (GD250N)	1	
4	24221HC8100	GEAR, 2ND DRIVE	1	
5	24231HC8100	GEAR, 3RD & 4TH DRIVE	1	
6	24251HC8102	GEAR, 5TH DRIVE (GD250N)	1	
7	09380-20007	CIRCLIP 2ND DRIVEN GEAR	2	
8	08110-63040	BEARING,COUNTER SHAFT R (GV)	1	
9	09263H15018	BEARING,COUNTER SHAFT L (GV)	1	
10	09140-16017	NUT,ENGINE SPROCKET	1	
11	24311HC8100	GEAR, 1ST DRIVEN (GD250N)	1	
12	09160-15034	THRUST WASHER,3RD DRIVE GEAR	2	

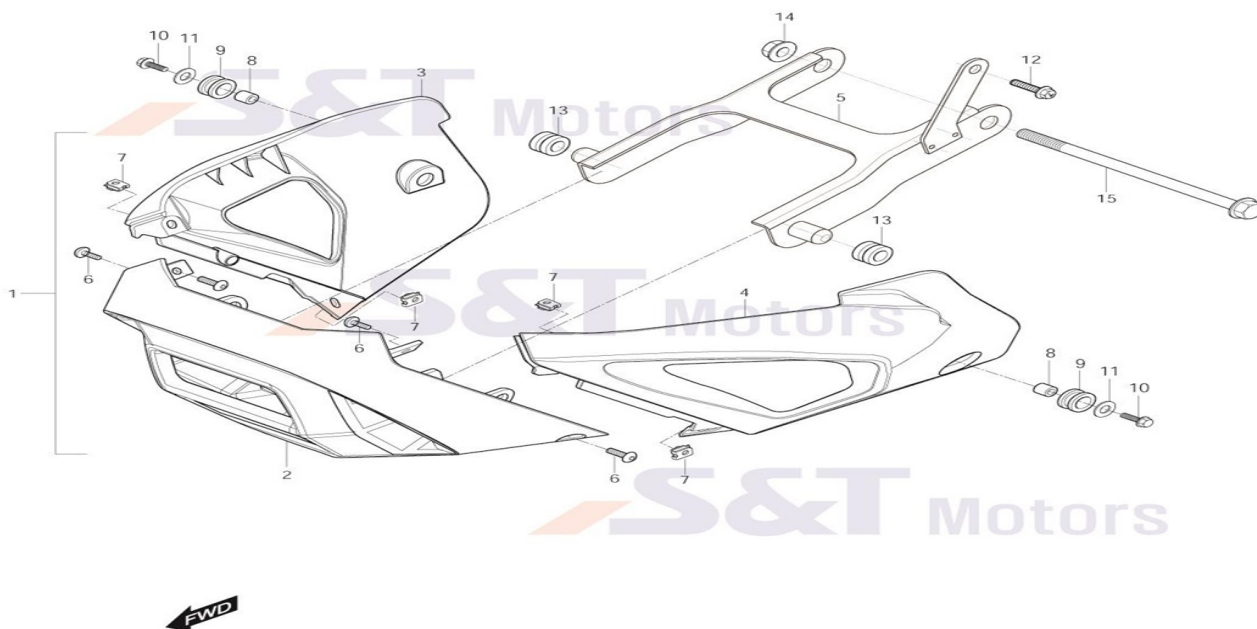
13	09263H15000	BEARING, 1ST DRIVEN GEAR	1
14	24321HC8100	GEAR 2ND DRIVEN (GD250N)	1
15	09380-20007	CIRCLIP 2ND DRIVEN GEAR	3
16	24331HC8100	GEAR, 3RD DRIVEN (GD250N)	1 24300HC8102
16-1	24331HC8101	GEAR, 3RD DRIVEN (GD250N)	1
17	09167-20011	THRUST WASHER,3RD DRIVE GEAR	4
18	24341HC8100	GEAR, 4TH DRIVEN (GD250N)	1 24300HC8102
18-1	24341HC8101	GEAR, 4TH DRIVEN (GD250N)	1
19	24351HC8100	GEAR, 5TH DRIVEN (GD250N)	1 24300HC8102
19-1	24351HC8102	GEAR, 5TH DRIVEN (GD250N)	1 [2014/9/3]
20	09262H22016	BEARING,DRIVE SHAFT L (GV)	1
21	09263H15015	BEARING,DRIVE SHAFT R (GV)	1
22	09160H20011	WASHER,OIL SEALING (GV250)	1
23	09283-27010	OIL SEAL,REAR AXLE	1
24	09167-20015	THRUST WASHER, 5TH DRIVE GEA	1
25	27510HC8101	SPROCKET COMP,EG 15T (GD250N)	1 =27510HC8100
26	27600HC8100	CHAIN ASS'Y,DRIVE 110L(GD250N)	1
27	09167H20002	WASHER,ENGINE SPROCKET(GD250R)	1 KM4NF46C8F1500548
28	27531HJ8201	SPACER,ENGINE SPROCKET (GV250)	1
29	09167-20011	THRUST WASHER,3RD DRIVE GEAR	2
30	09160-15034	THRUST WASHER,3RD DRIVE GEAR	1
31	24261HC8100	GEAR, 6TH DRIVE (GD250N)	1
32	01107-06106	BOLT,DR SH RETAINER	1
33	24751HG5102	RETAINER,DRIVE SHAFT O/SEAL(GV)	1
34	24741HG5100	RETAINER,COUNTER SHAFT BG (GV)	2
35	02122-06128	SCREW,OL GR SH	2
36	09404-06404	CLAMP,WIRING HARNESS	1

FIG 24



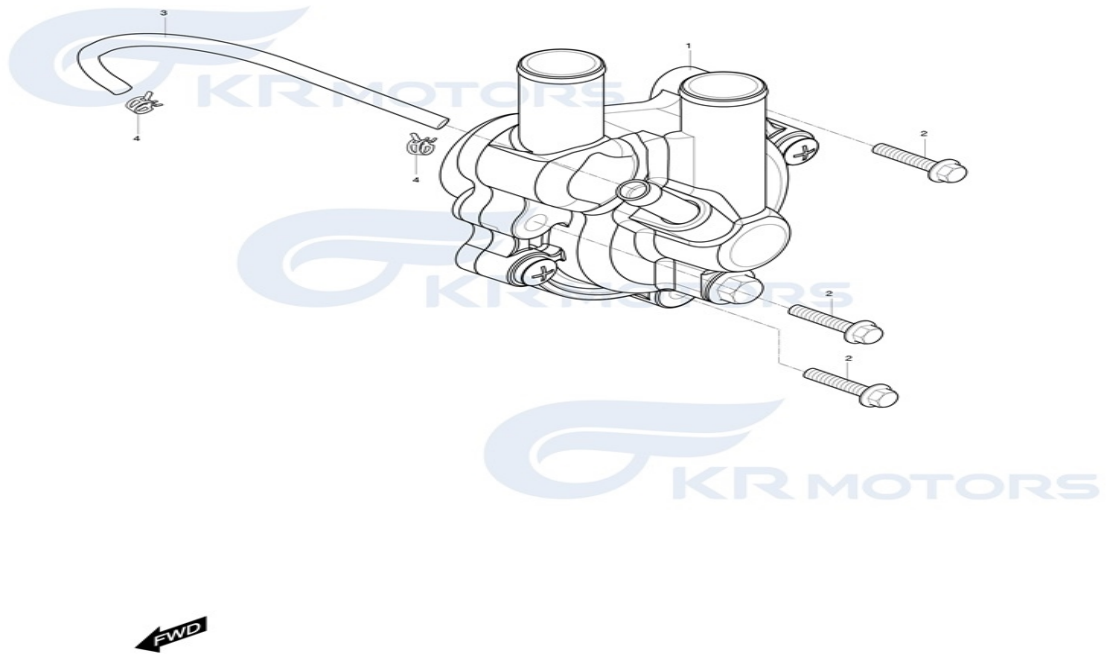
SEQ	PART CODE	PART NAME	U/S	REMARK
1	35601HR8600	FRONT TURNSIGNAL R (GT250FI)	1	
2	35602HR8600	FRONT TURNSIGNAL L (GT250FI)	1	
3	09471H12112	BULB(12V G18:RY10W) (GV650)	2	
4	09160-06019	WASHER	2	
5	08316-26066	NUT,REAR COMBI LAMP	2	
6	35603H99700	LAMP,REAR TURNSIGNAL R(GT650N)	1	
7	35604H99700	LAMP,REAR TURNSIGNAL L(GT650N)	1	
8	09471H12112	BULB(12V G18:RY10W) (GV650)	2	
9	09160-06019	WASHER	2	
10	08316-26066	NUT,REAR COMBI LAMP	2	

FIG 48



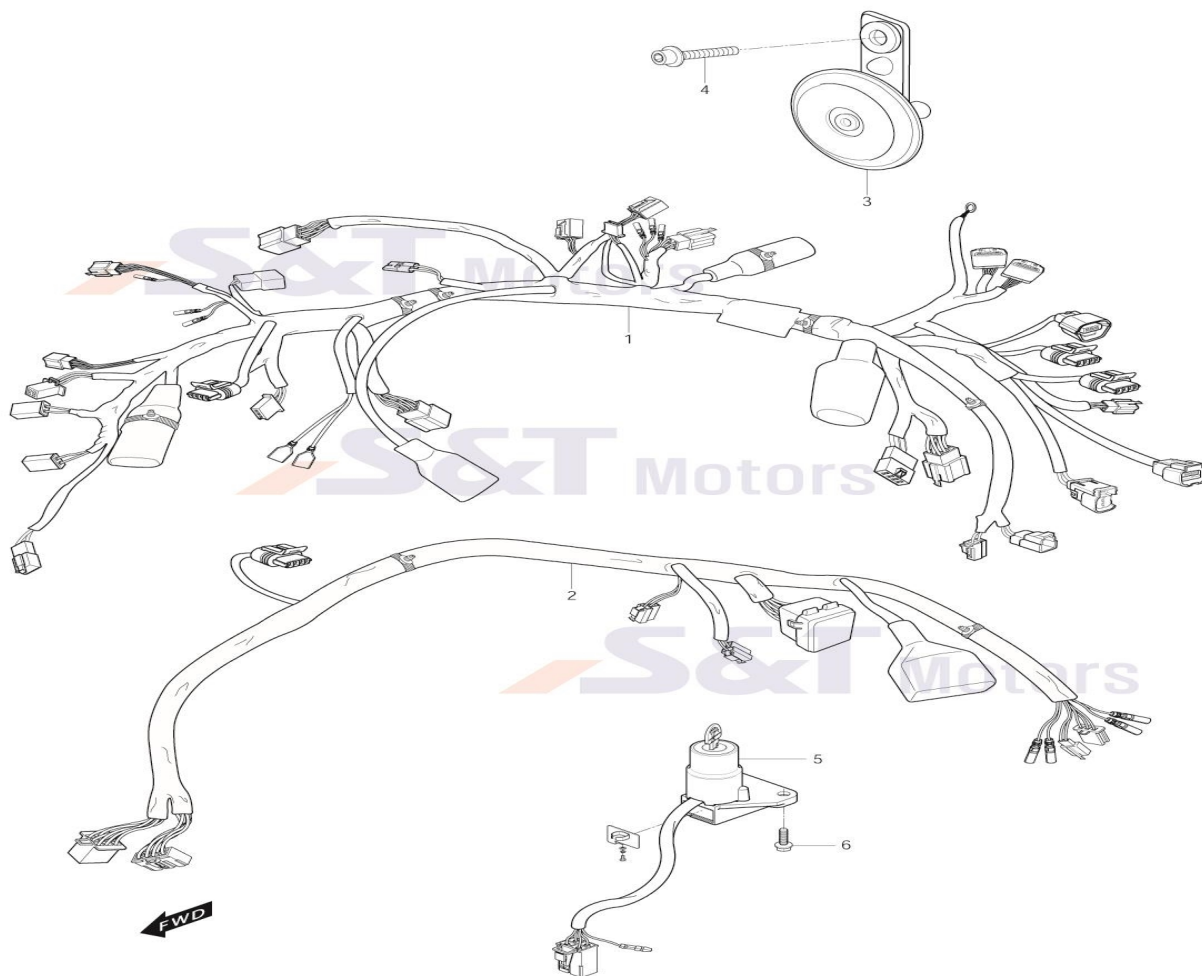
SEQ	PART CODE	PART NAME	U/S	REMARK
2	94531HC8100	COVER, BODY UNDER FT (GD250N)	1	
3	94532HC8100	COVER, BODY UNDER R (GD250N)	1	
4	94533HC8100	COVER, BODY UNDER L (GD250N)	1	
5	94540HC8101	BKT,UNDER COWLING ASSY(GD250N)	1	01.08.2014~, KM4NF46C7E1100348~ =94540HC8100
6	09106H05120	SCREW, SIDE COVER R & UNDER	4	
7	09148H05030	NUT,SIDE COVER (GT)	4	
8	09180-06011	SPACER,BATT HOLE	2	
9	09320-09016	CUSHION,TOOL HOLDER	2	
10	01517-06165	BOLT,SPORT CARRIER (SD)	2	
11	09160-06006	WASHER	2	
12	01517-06125	BOLT,COVER CYLINDER HEAD	1	
13	09320-11008	CUSHION,LEG SHIELD	2	
14	08319-31108	NUT,FRONT SORBER	1	
15	09103H10156	BOLT, UNDER COWLING & ENGINE	1	

FIG 13-1



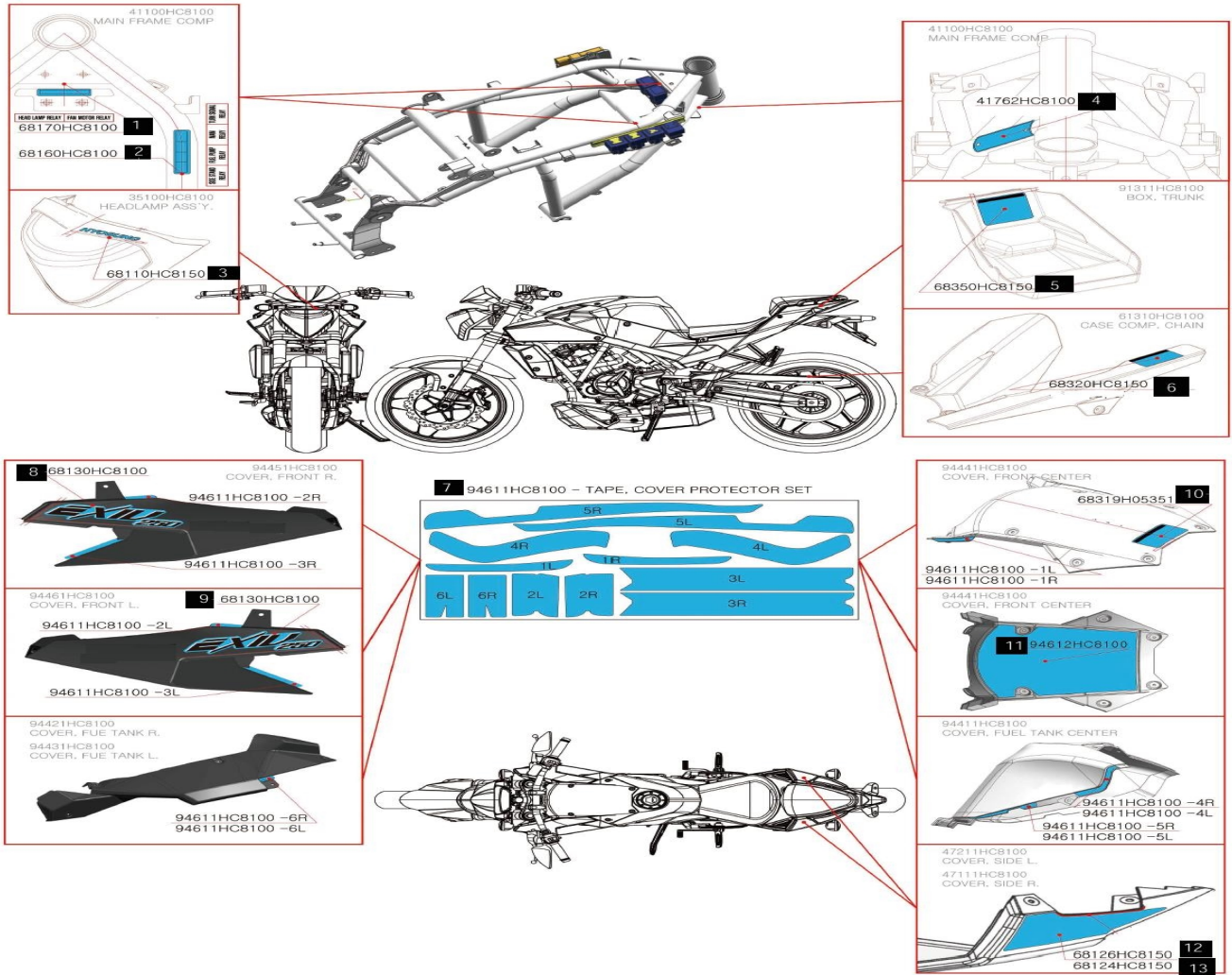
SEQ	PART CODE	PART NAME	U/S	REMARK
1	17400HC8100	PUMP ASS'Y, WATER (GD250N)	1	
2	01547-06308	BOLT,MAGNET&CLUTCH COVER (EZ)	3	
3	09280H30001	O-RING, WATER PUMP	1	
4	09401H13401	CLAMP,THERMOSTAT BYPASS HOS	2	

FIG 25



SEQ	PART CODE	PART NAME	U/S	REMARK
1	36610HC8151	HARNESS, WIRING (GD250N)	1	04.02.2014~, KM4NF46C4E1500335~
1-1	36610HC8152	HARNESS, WIRING (GD250N)	1	Nov, 2014
2	36670HC8100	LEAD WIRE, REAR COMBI (GD250N)	1	
3	38500HC8100	HORN ASS'Y (GD250N)	1	
4	07120-08208	BOLT,CALIPER (GT250RN)	1	
5	37000HP9200	KEY SET (GT650S)	1	
6	01517-06308	BOLT,STEERING LOCK NO1	2	
0-1	36950HR8600	NOISE FILTER (GD250N)	2	
0-2	32800HP8800	DIODE,ECU (MS3)	1	
0-3	32800HJ6170	DIODE HAZARD□□□□□ (FXM)	2	
0-4	32800HJ8250	DIODE,NEUTRAL SWITCH(GV250 KEU)	1	
10	37890HP8810	SENSOR,TIP OVER (GT650REI)	1	

**GD-250N LABEL ATTACHMENT GUIDE**



SEQ	PART CODE	PART NAME	U/S	REMARK
1	68170HC8100	LABEL, RELAY NO.2	1 MY14,15	
2	68160HC8100	LABEL, RELAY NO.1 (GD250N)	1 MY14,15	
3	68110HC815003P	EMBLEM, "HYOSUNG" (GD250N)	1 MY14	
4-1	41762HC8100	PLATE,MANUFACTURER(□□□□)	1 Spec: EU,G,S,ARG',IRAN	
5-1	68350HC8151	LABEL, CAUTION No.1(□□□)	1 Spec: AT,EG,EU,G,NE,IRAN,MAL'	
5-2	68350HC8160	LABEL, CAUTION No1.(□□)(GD	1 Spec: G	
5-3	68350HC8180	LABEL, CAUTION No1.(□□□)(	1 Spec: S, ARG'	
5-4	68350HC8190	LABEL, CAUTION No1.(□□)(GD	1 Spec: F	
6-1	68320HC8150	LABEL,CHAIN CASE. (□□)	1 Spec: AT,EG,EU,G,NE,IRAN,MAL'	
6-2	68320HC8160	LABEL, CHAIN CASE.(□□)(GD2	1 Spec: G	
6-3	68320HC8180	LABEL, CHAIN CASE.(□□□)	1 Spec: S, ARG'	
6-4	68320HC8190	LABEL, CHAIN CASE.(□□)(GD2	1 Spec: F	
7	94611HC8100	TAPE, COVER PROTECTOR SET	1 MY14,15	
8&9-1	68130HC810003P	EMBLEM, EXIV 250 (GD250N)	2 MY14 COLOR: VB, VM	
8&9-2	68130HC810010R	EMBLEM, EXIV 250 (GD250N)	2 MY14 COLOR: WP	
8&9-3	68130HC8100363	EMBLEM, EXIV 250 (GD250N)	2 MY14 COLOR: SBK	
8&9-4	68130HC8100EV2	EMBLEM, EXIV 250 (GD250N)	2 MY15, COLOR: DR, LG	
8&9-5	68130HC8100EV1	EMBLEM, EXIV 250 (GD250N)	2 MY15 COLOR: WP	



10-1	68319H05351PL	LABEL,CAUTION□□GT/GV/RT/RX	1 Spec: EG,EU,EN,U,G,AT,NE,US,IRAN,MAL'
10-2	68319H05371PL	LABEL,CAUTION□□GT/GV/RT/RX	1 Spec: G
10-3	68319H05380PL	LABEL,CAUTION□□GT/GV/RT/RX	1 Spec: S, ARG'
10-4	68319H05391PL	LABEL,CAUTION□□GT/GV/RT/RX	1 Spec: F
12-1	68126HC8150015	EMBLEM, "HYOSUNG" TAIL COVER L	1 M/C COLOR: VB, VM, WP
12-2	68126HC8150363	EMBLEM, "HYOSUNG" TAIL COVER L	1 MY14 COLOR: SBK
12-3	68126HD8550D02	EMBLEM, TAIL COVER LH (HYOSUNG	1 MY15
13-1	68124HC8150015	EMBLEM, "HYOSUNG" TAIL COVER R	1 MY14 COLOR: VB, VM, WP
13-2	68124HC8150363	EMBLEM, "HYOSUNG" TAIL COVER R	1 MY14 COLOR: SBK
13-3	68124HD8550D02	EMBLEM, TAIL COVER RH (HYOSUNG	1 MY15
14	68256HD8500CRK	SYMBOL, KR WINDSCREEN (GD250R)	1 MY15 - ON SPEEDOMETER COVER