



 **HYOSUNG**  
MOTORS & MACHINERY INC.

## **REFERENCE**

1.The detailed specifications of each model are referred by the persons who are in charge of overseas marketing team, Hyosung.

2.Special demand

When you order any colored parts, please add color code to the end of parts number and it will be helpful to register your parts order.

※ **Color code**

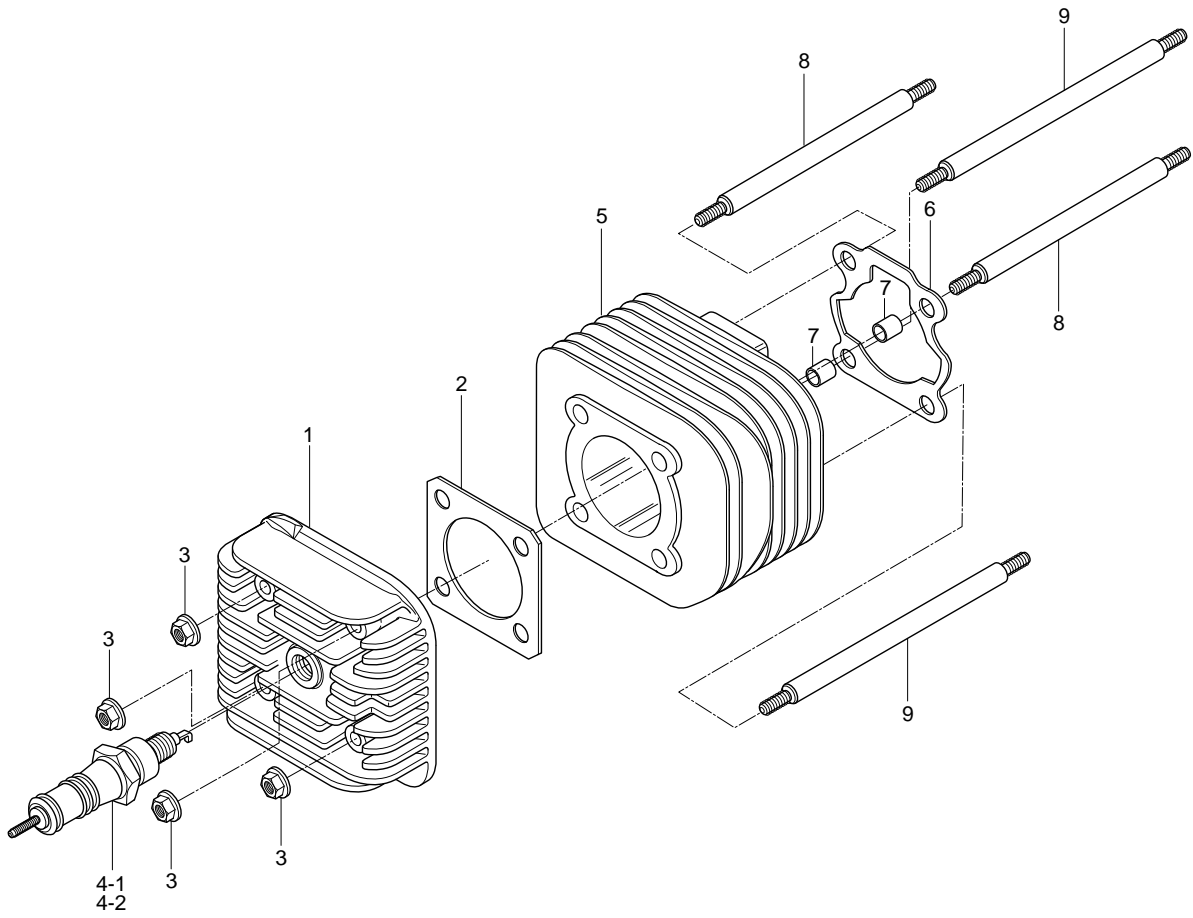
**CGG : G,green**

**CPR : PEARL CANDY RED**

**CSG : STRIPE GREEN & SILVER GRAY M)**

**HYOSUNG**

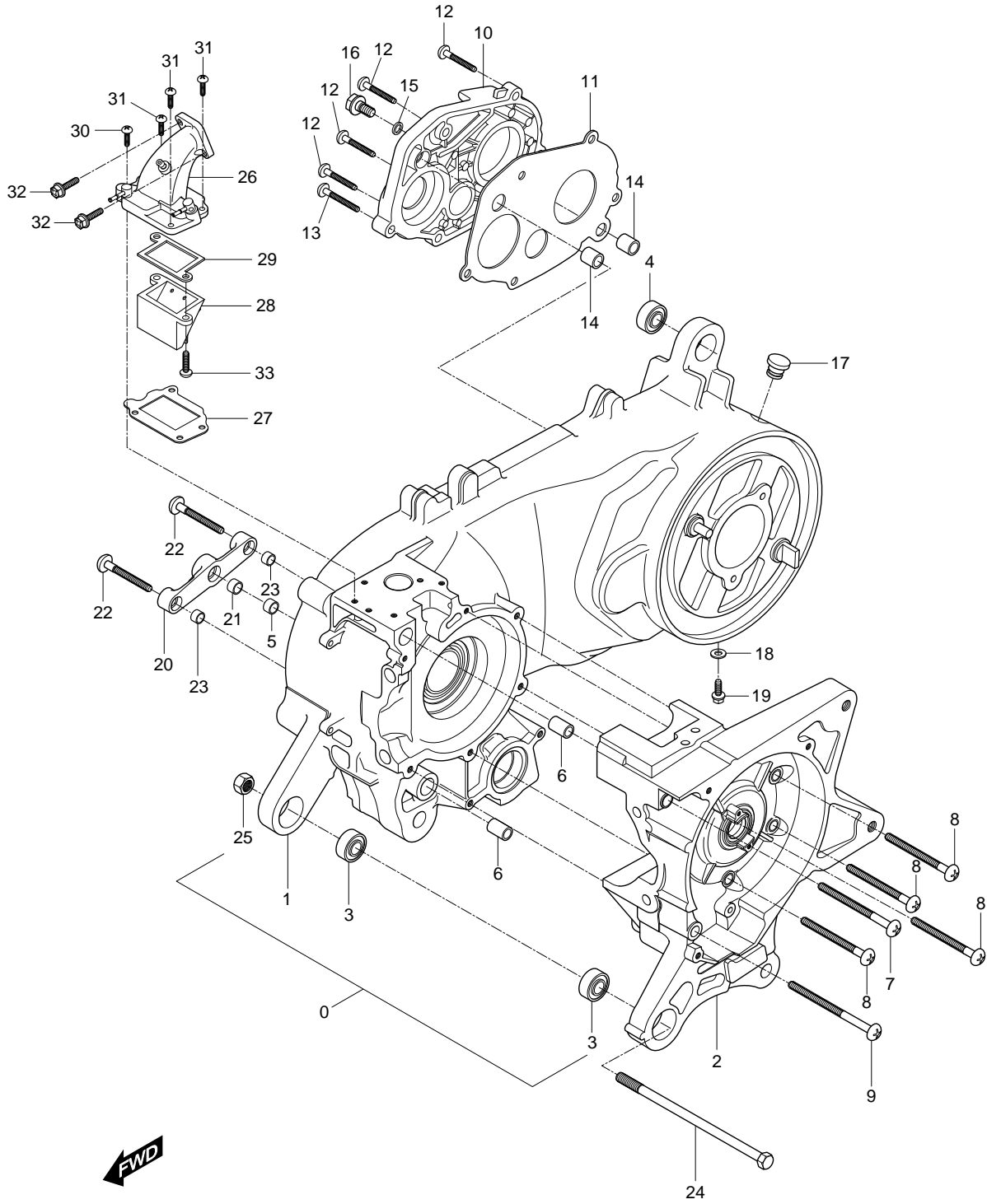
FIG 1



# FIG 1. CYLINDER

| REF. PARTS NO. |                |                |                |                | PARTS NAME               | Q`TY | REMARKS | REC.Q'TY /<br>100 otorcycles<br>(PCS) |
|----------------|----------------|----------------|----------------|----------------|--------------------------|------|---------|---------------------------------------|
| NO.            | DOMESTIC       | ST01           | KEN01          | MAT01          |                          |      |         |                                       |
| 1              | 11111HE7101    | 11111HE7101    | 11111HE7101    | 11111HE7101    | HEAD COMP, cylinder      | 1    |         | 2                                     |
| 2              | 11141-04C00    | 11141-04C00    | 11141-04C00    | 11141-04C00    | GASKET,cylinder head(NA) | 1    |         | 6                                     |
| 3              | 08316-16088    | 08316-16088    | 08316-16088    | 08316-16088    | NUT,cylinder head(M8)    | 4    |         |                                       |
| 4              |                |                | 09482-01255    | 09482-01255    | PLUG,spark(BRR 7HS)      | 1    |         |                                       |
| 4-1            | 09482-00255    | 09482-00255    |                |                | PLUG,spark(BPR 7HS)      | 1    |         | 30                                    |
| 5              | 11210HE7100PCY | 11210HE7100PCY | 11210HE7100PCY | 11210HE7100PCY | CYLINDER COMP            | 1    |         | 10                                    |
| 6              | 11241HE7102    | 11241HE7102    | 11241HE7102    | 11241HE7102    | GASKET,cylinder(NA)      | 1    |         | 30                                    |
| 7              | 04213-11129    | 04213-11129    | 04213-11129    | 04213-11129    | PIN,cylinder knock       | 2    |         |                                       |
| 8              | 09108-08056    | 09108-08056    | 09108-08056    | 09108-08056    | STUD BOLT,cylinder       | 2    |         |                                       |
| 9              | 09108-08216    | 09108-08216    | 09108-08216    | 09108-08216    | STUD BOLT,cylinder       | 2    |         |                                       |

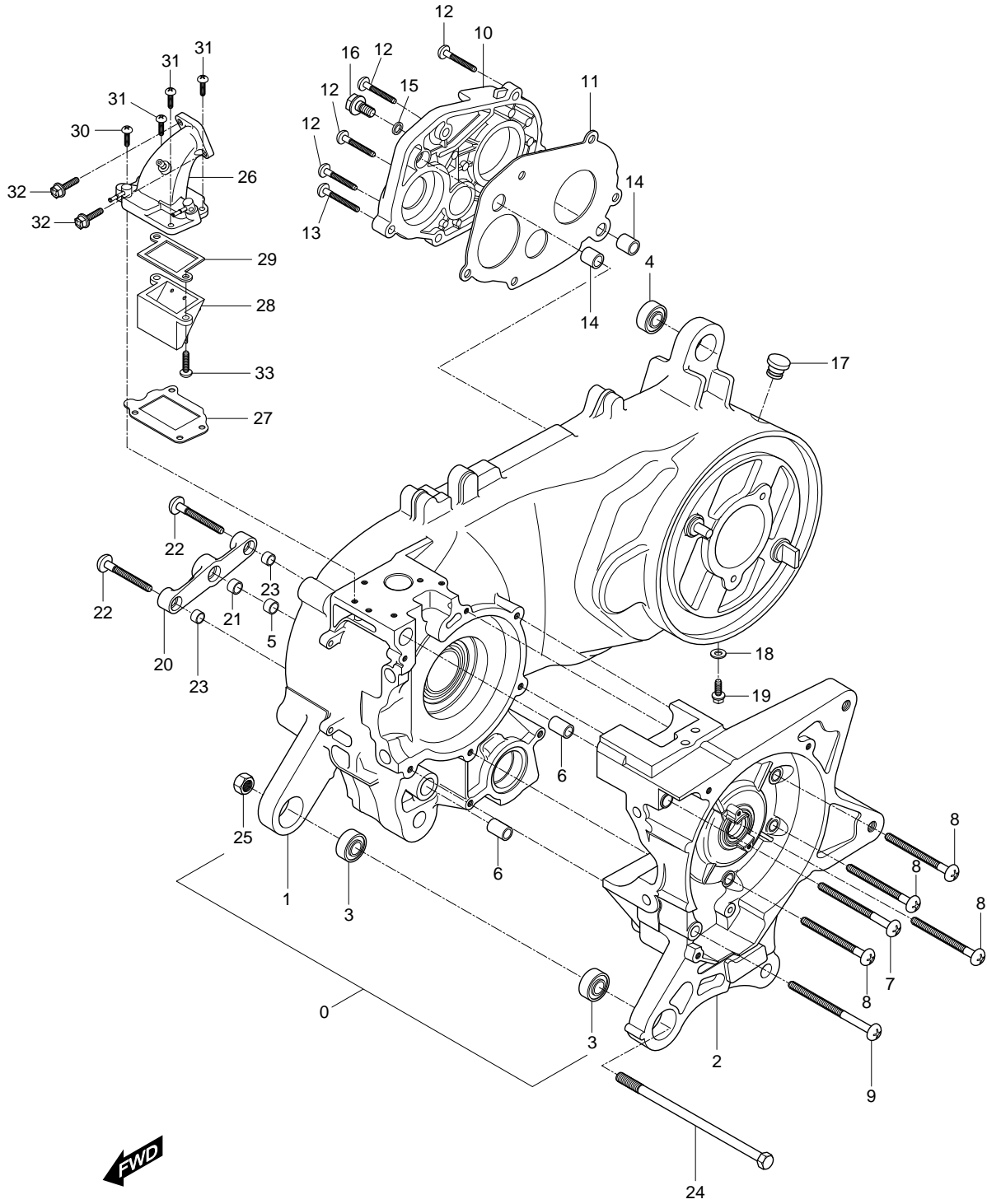
FIG 2



# FIG 2.CRANK CASE

| REF. PARTS NO. |                |                |                |                |                              | PARTS NAME | Q'TY                      | REMARKS | REC.Q'TY |
|----------------|----------------|----------------|----------------|----------------|------------------------------|------------|---------------------------|---------|----------|
| NO.            | DOMESTIC       | ST01           | KEN01          | MAT01          |                              |            |                           | (PCS)   |          |
| 0              | 11300HE7100HPA | 11300HE7100HPA | 11300HE7100HPA | 11300HE7100HPA | CASE SET,crank               | 1          |                           |         |          |
| 1              | 11311HE7107PCC | 11311HE7107PCC | 11311HE7107PCC | 11311HE7107PCC | CASE,crank R                 | 1          |                           | 1       |          |
| 2              | 11321HE7103PCC | 11321HE7103PCC | 11321HE7103PCC | 11321HE7103PCC | CASE,crank L                 | 1          |                           | 1       |          |
| 3              | 09319-12036    | 09319-12036    | 09319-12036    | 09319-12036    | BUSH, engine mounting        | 2          |                           | 4       |          |
| 4              | 09319-10032    | 09319-10032    | 09319-10032    | 09319-10032    | BUSH,rear shock absorber     | 1          |                           | 2       |          |
| 5              | 09300-08016    | 09300-08016    | 09300-08016    | 09300-08016    | BUSH,starter idle shaft      | 1          |                           |         |          |
| 6              | 04213-11169    | 04213-11169    | 04213-11169    | 04213-11169    | PIN,crank case               | 2          |                           |         |          |
| 7              | 02112-06758    | 02112-06758    | 02112-06758    | 02112-06758    | SCREW,crank case(M6*75)      | 1          |                           |         |          |
| 8              | 02112-06508    | 02112-06508    | 02112-06508    | 02112-06508    | SCREW,crank case(M6*50)      | 4          |                           |         |          |
| 9              | 02112-06858    | 02112-06858    | 02112-06858    | 02112-06858    | SCREW,crank case(M6*85)      | 1          |                           |         |          |
| 10             | 11431HE7100PCR | 11431HE7100PCR | 11431HE7100PCR | 11431HE7100PCR | COVER,gear box               | 1          | <b>~KM4CE13B251111096</b> | 2       |          |
| 10~1           | 11431HE7102PCR | 11431HE7102PCR | 11431HE7102PCR | 11431HE7102PCR | COVER,gear box               | 1          | <b>KM4CE13B251111097~</b> | 2       |          |
| 11             | 11484HE7102    | 11484HE7102    | 11484HE7102    | 11484HE7102    | GASKET, gear box cover       | 1          |                           | 10      |          |
| 12             | 01547-06258    | 01547-06258    | 01547-06258    | 01547-06258    | SCREW,gear box cover(M6*     | 5          |                           |         |          |
| 13             | 01547-06308    | 01547-06308    | 01547-06308    | 01547-06308    | SCREW,gear box cover(M6*     | 1          |                           |         |          |
| 14             | 04213-11169    | 04213-11169    | 04213-11169    | 04213-11169    | PIN,gear box cover           | 2          |                           |         |          |
| 15             | 09168-08008    | 09168-08008    | 09168-08008    | 09168-08008    | GASKET,oil level(NA)         | 1          |                           | 3       |          |
| 16             | 01514-08128    | 01514-08128    | 01514-08128    | 01514-08128    | BOLT,oil level(M8*12)        | 1          |                           | 2       |          |
| 17             | 09250H11005    | 09250H11005    | 09250H11005    | 09250H11005    | PLUG,oil filter              | 1          |                           |         |          |
| 18             | 09168H10003    | 09168H10003    | 09168H10003    | 09168H10003    | GASKET,oil drain bolt        | 1          |                           | 2       |          |
| 19             | 09247-100A8    | 09247-100A8    | 09247-100A8    | 09247-100A8    | PLUG,oil drain               | 1          |                           | 2       |          |
| 20             | 11382-37B01    | 11382-37B01    | 11382-37B01    | 11382-37B01    | CAP,starter idle gear        | 1          |                           | 2       |          |
| 21             | 09300-08016    | 09300-08016    | 09300-08016    | 09300-08016    | BUSH,starter idle shaft      | 1          |                           |         |          |
| 22             | 02112-06308    | 02112-06308    | 02112-06308    | 02112-06308    | SCREW,starter idle gear cap( | 2          |                           |         |          |
| 23             | 04213-09109    | 04213-09109    | 04213-09109    | 04213-09109    | PIN,starter idle gear cap    | 2          |                           |         |          |
| 24             | 09100-12028    | 09100-12028    | 09100-12028    | 09100-12028    | BOLT,engine mounting(L185    | 1          |                           |         |          |

FIG 2

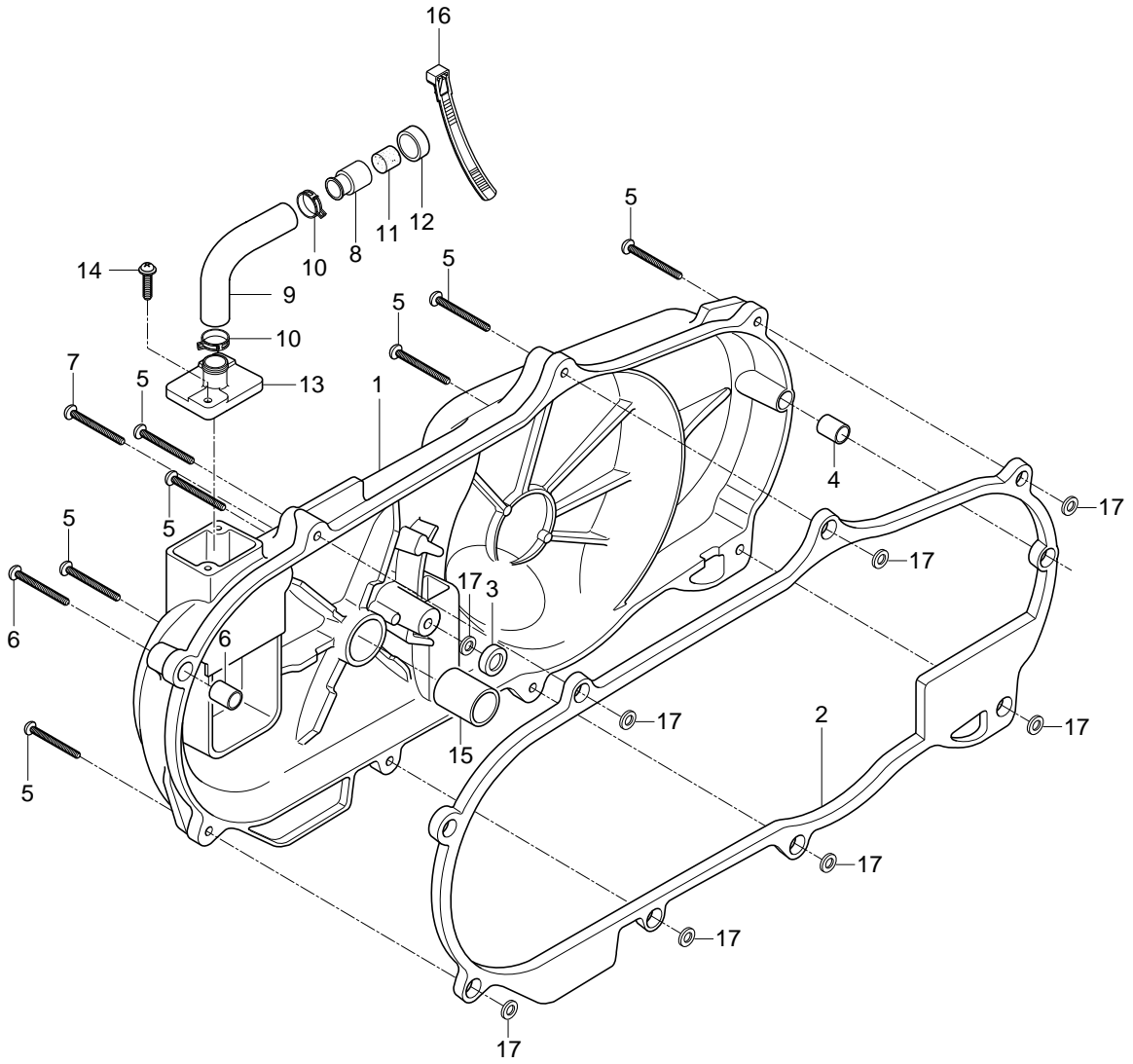


# FIG 2.CRANK CASE

| REF. PARTS NO. |             |             |             |             |  | PARTS NAME | Q`TY | REMARKS | REC.Q'TY |
|----------------|-------------|-------------|-------------|-------------|--|------------|------|---------|----------|
| NO.            | DOMESTIC    | ST01        | KEN01       | MAT01       |  |            |      | (PCS)   |          |
| 25             | 08319-31126 | 08319-31126 | 08319-31126 | 08319-31126 | NUT,engine mounting(M12)                 | 1          |      |         |          |
| 26             | 13110HE7101 | 13110HE7101 | 13110HE7101 | 13110HE7101 | PIPE COMP,intake                         | 1          |      | 2       |          |
| 27             | 13125HE7101 | 13125HE7101 | 13125HE7101 | 13125HE7101 | GASKET,intake pipe(NA)                   | 1          |      | 4       |          |
| 28             | 13150HE7100 | 13150HE7100 | 13150HE7100 | 13150HE7100 | VALVE ASSY,reed                          | 1          |      | 2       |          |
| 29             | 13126HE7102 | 13126HE7102 | 13126HE7102 | 13126HE7102 | GASKET,reed valve                        | 1          |      | 4       |          |
| 30             | 02112-36256 | 02112-36256 | 02112-36256 | 02112-36256 | SCREW,intake pipe front L(∅              | 1          |      |         |          |
| 31             | 02112-36206 | 02112-36206 | 02112-36206 | 02112-36206 | SCREW,intake pipe(M6*20)                 | 3          |      |         |          |
| 32             | 09128-06026 | 09128-06026 | 09128-06026 | 09128-06026 | SCREW,carburetor                         | 2          |      |         |          |
| 33             | 09138-04003 | 09138-04003 | 09138-04003 | 09138-04003 | SCREW,reed valve ass'y(M4 <sup>3</sup> ) | 2          |      |         |          |



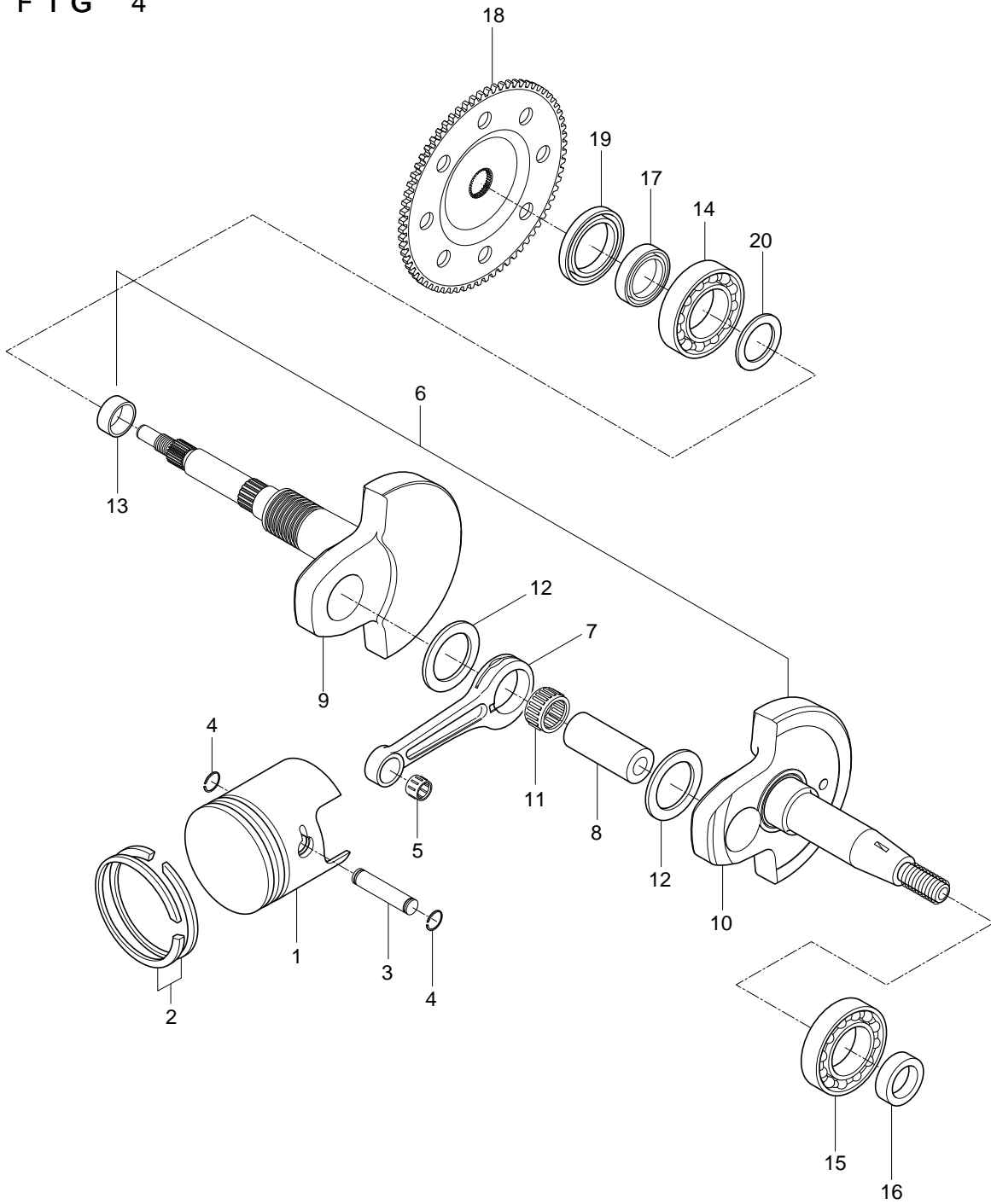
FIG 3



# FIG 3. CRANK CASE

| REF. PARTS NO. |                |                |                |                |                             | PARTS NAME | Q'TY     | REMARKS | REC.Q'TY |
|----------------|----------------|----------------|----------------|----------------|-----------------------------|------------|----------|---------|----------|
| NO.            | DOMESTIC       | ST01           | KEN01          | MAT01          |                             |            |          | (PCS)   |          |
| 1              | 11341HE7101999 | 11341HE7101999 | 11341HE7101999 | 11341HE7101999 | COVER,clutch                | 1          |          | 2       |          |
| 2              | 11480HE7102    | 11480HE7102    | 11480HE7102    | 11480HE7102    | GASKET COMP,clutch cove     | 1          |          | 10      |          |
| 3              | 11490HE7102    | 11490HE7102    | 11490HE7102    | 11490HE7102    | GASKET,crank case R center  | 1          |          |         |          |
| 4              | 04213-11169    | 04213-11169    | 04213-11169    | 04213-11169    | PIN,clutch cover            | 2          |          |         |          |
| 5              | 02112-06255    | 02112-06255    | 02112-06255    | 02112-06255    | SCREW,clutch cover(M6*25    | 7          |          |         |          |
| 6              | 02112-06455    | 02112-06455    | 02112-06455    | 02112-06455    | SCREW,clutch cover(M6*45    | 1          |          |         |          |
| 7              | 02112-06605    | 02112-06605    | 02112-06605    | 02112-06605    | SCREW,clutch cover(M6*60    | 1          |          |         |          |
| 8              | 17210HE7110    | 17210HE7110    | 17210HE7110    | 17210HE7110    | CASE,crankcase cleaner      | 1          |          |         |          |
| 9              | 17175HE7110    | 17175HE7110    | 17175HE7110    | 17175HE7110    | HOSE,crankcase air intake   | 1          |          |         |          |
| 10             | 09401-31403    | 09401-31403    | 09401-31403    | 09401-31403    | CLAMP,air intake hose       | 2          |          |         |          |
| 11             | 17213HE7110    | 17213HE7110    | 17213HE7110    | 17213HE7110    | FILTER,crankcase cleaner ca | 1          |          |         |          |
| 12             | 17212HE7110    | 17212HE7110    | 17212HE7110    | 17212HE7110    | CAP,crankcase cleaner case  | 1          |          |         |          |
| 13             | 17181HE7110    | 17181HE7110    | 17181HE7110    | 17181HE7110    | JOINT,crankcase cleaner     | 1          |          |         |          |
| 14             | 02142-16125    | 02142-16125    | 02142-16125    | 02142-16125    | SCREW,crankcase cleaner joi | 2          |          |         |          |
| 15             | 09300H14002    | 09300H14002    | 09300H14002    | 09300H14002    | BUSH,kick starter shaft     | 1          |          |         |          |
| 16             | 09407-254A1    | 09407-254A1    | 09407-254A1    | 09407-254A1    | CLAMP,crankcase cleaner ca  | 1          |          |         |          |
| 17             | 09120H07001    | 09120H07001    | 09120H07001    | 09120H07001    | SPACER,clutch cover gasket  | 7          | NOT SALE |         |          |

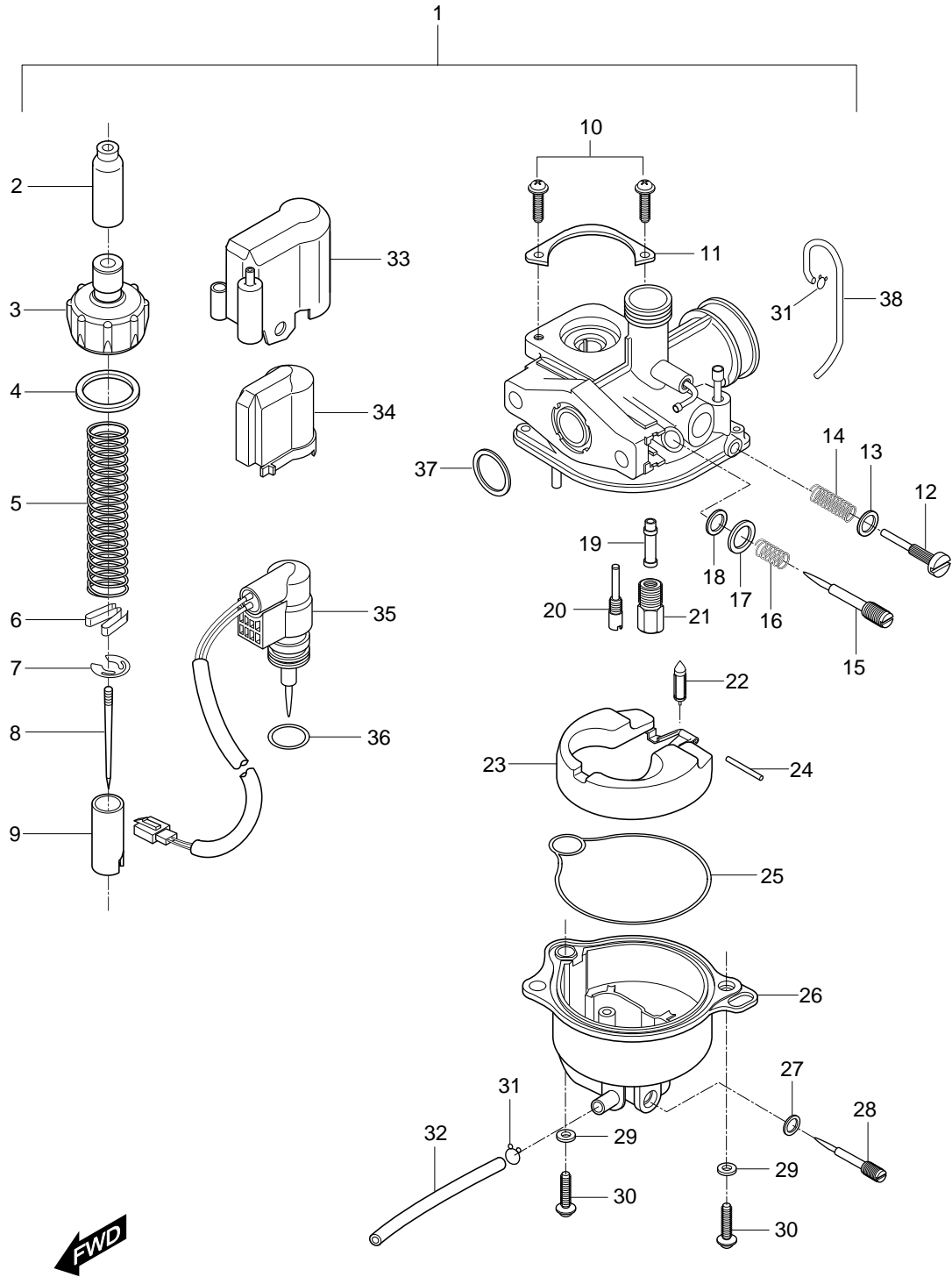
FIG 4



# FIG 4. CRANK SHAFT

| REF. PARTS NO. |                |                |                |                |                           | PARTS NAME | Q'TY               | REMARKS | REC.Q'TY |
|----------------|----------------|----------------|----------------|----------------|---------------------------|------------|--------------------|---------|----------|
| NO.            | DOMESTIC       | ST01           | KEN01          | MAT01          |                           |            |                    | (PCS)   |          |
| 1              | 12111-41D00PSA | 12111-41D00PSA | 12111-41D00PSA | 12111-41D00PSA | PISTON COMP               |            |                    | 14      |          |
| 1-1            | 12111HP5300    | 12111HP5300    | 12111HP5300    | 12111HP5300    | PISTON COMP               | 1          | KM4CE13B851111217~ |         |          |
| 2              | 12141-35510    | 12141-35510    | 12141-35510    | 12141-35510    | RING,piston               | 2          |                    | 4       |          |
| 3              | 12151-35500    | 12151-35500    | 12151-35500    | 12151-35500    | PIN,piston                | 1          |                    | 2       |          |
| 4              | 09381-12001    | 09381-12001    | 09381-12001    | 09381-12001    | CIRCLIP,piston pin        | 2          |                    | 30      |          |
| 5              | 09263H12004    | 09263H12004    | 09263H12004    | 09263H12004    | BEARING,piston pin        | 1          |                    |         |          |
| 6              | 12200SE7100HPA | 12200SE7100HPA | 12200SE7100HPA | 12200SE7100HPA | SHAFT ASSY,crank          | 1          |                    | 2       |          |
| 7              | 12161HE7100    | 12161HE7100    | 12161HE7100    | 12161HE7100    | CONNROD                   | 1          |                    |         |          |
| 8              | 12211HE7100    | 12211HE7100    | 12211HE7100    | 12211HE7100    | PIN,crank                 | 1          |                    |         |          |
| 9              | 12221HE7100CSA | 12221HE7100CSA | 12221HE7100CSA | 12221HE7100CSA | CRANKSHAFT, R             | 1          |                    |         |          |
| 10             | 12261HE7100CSA | 12261HE7100CSA | 12261HE7100CSA | 12261HE7100CSA | CRANKSHAFT, L             | 1          |                    |         |          |
| 11             | 09263H20002    | 09263H20002    | 09263H20002    | 09263H20002    | BEARING,crank pin         | 2          |                    | 2       |          |
| 12             | 09160-20010    | 09160-20010    | 09160-20010    | 09160-20010    | THRUST WASHER,connrod     | 2          |                    |         |          |
| 13             | 09180-18011    | 09180-18011    | 09180-18011    | 09180-18011    | SPACER,crankshaft R       | 1          |                    |         |          |
| 14             | 09262H250A2    | 09262H250A2    | 09262H250A2    | 09262H250A2    | BEARING, crankshaft R     | 1          |                    | 4       |          |
| 15             | 09262H250A2    | 09262H250A2    | 09262H250A2    | 09262H250A2    | BEARING, crankshaft L     | 1          |                    | 4       |          |
| 16             | 09283-25083    | 09283-25083    | 09283-25083    | 09283-25083    | OIL SEAL, crankshaft L    | 1          |                    | 6       |          |
| 17             | 09283-17017    | 09283-17017    | 09283-17017    | 09283-17017    | OIL SEAL, crankshaft R    | 1          |                    | 6       |          |
| 18             | 12622HE7101    | 12622HE7101    | 12622HE7101    | 12622HE7101    | GEAR,starter              | 1          |                    | 2       |          |
| 19             | 09284-24001    | 09284-24001    | 09284-24001    | 09284-24001    | OIL SEAL, pump drive gear | 1          |                    | 4       |          |
| 20             | 09181-25057    | 09181-25057    | 09181-25057    | 09181-25057    | SHIM,crankshaft ass'y R   | 1          |                    |         |          |

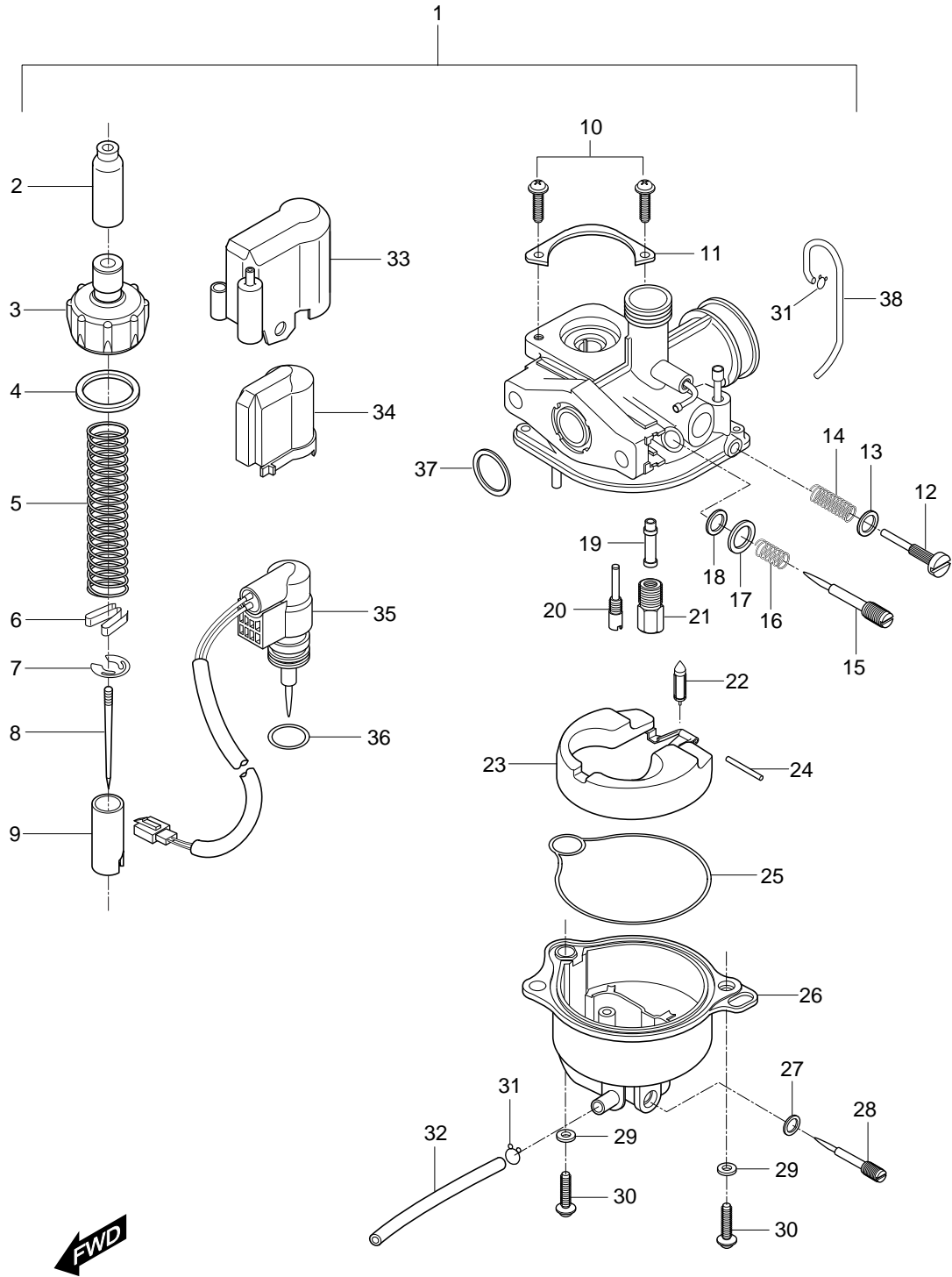
FIG 5



# FIG 5. CARBURETOR

| REF. PARTS NO. |                |             |                |                |                       | PARTS NAME | Q'TY | REMARKS | REC.Q'TY |
|----------------|----------------|-------------|----------------|----------------|-----------------------|------------|------|---------|----------|
| NO.            | DOMESTIC       | ST01        | KEN01          | MAT01          |                       |            |      | (PCS)   |          |
| 1              | 13200HE7107HAS |             |                |                | CARBURETOR ASSY       | 1          |      | 8       |          |
| 1-1            |                |             | 13200HG7701HAS | 13200HG7701HAS | CARBURETOR ASSY       | 1          |      |         |          |
| 1-2            |                | 13200HG7720 |                |                | CARBURETOR ASSY       | 1          |      |         |          |
| 2              | 13681HE7100    | 13681HE7100 | 13681HE7100    | 13681HE7100    | CAP,carburetor top    | 1          |      |         |          |
| 3              | 13261HE7100    | 13261HE7100 | 13261HE7100    | 13261HE7100    | COVER,top             | 1          |      |         |          |
| 4              | 13249HE7100    | 13249HE7100 | 13249HE7100    | 13249HE7100    | GASKET,top cover      | 1          |      |         |          |
| 5              | 13573HE7100    | 13573HE7100 | 13573HE7100    | 13573HE7100    | SPRING,throttle valve | 1          |      |         |          |
| 6              | 13581HE7100    | 13581HE7100 | 13581HE7100    | 13581HE7100    | CLIP                  | 1          |      |         |          |
| 7              | 13533HE7100    | 13533HE7100 | 13533HE7100    | 13533HE7100    | E-RING,throttle valve | 1          |      |         |          |
| 8              | 13383HE7100    | 13383HE7100 | 13383HE7100    | 13383HE7100    | NEEDLE,jet            | 1          |      |         |          |
| 9              | 13551HE7100    | 13551HE7100 | 13551HE7100    | 13551HE7100    | VALVE,throttle        | 1          |      |         |          |
| 10             | 13601HE7100    | 13601HE7100 | 13601HE7100    | 13601HE7100    | SCREW                 | 2          |      |         |          |
| 11             | 13610HE7100    | 13610HE7100 | 13610HE7100    | 13610HE7100    | RETAINER              | 1          |      |         |          |
| 12             | 13267HE7100    | 13267HE7100 | 13267HE7100    | 13267HE7100    | SCREW,throttle stop   | 1          |      |         |          |
| 13             | 13266HE7100    | 13266HE7100 | 13266HE7100    | 13266HE7100    | WASHER                | 1          |      |         |          |
| 14             | 13265HE7100    | 13265HE7100 | 13265HE7100    | 13265HE7100    | SPRING                | 1          |      |         |          |
| 15             | 13269HE7100    | 13269HE7100 | 13269HE7100    | 13269HE7100    | SCREW,pilot air       | 1          |      |         |          |
| 16             | 13268HE7100    | 13268HE7100 | 13268HE7100    | 13268HE7100    | SPRING                | 1          |      |         |          |
| 17             | 13606HE7100    | 13606HE7100 | 13606HE7100    | 13606HE7100    | WASHER                | 1          |      |         |          |
| 18             | 13295HE7100    | 13295HE7100 | 13295HE7100    | 13295HE7100    | O-RING                | 1          |      |         |          |
| 19             | 09494HE7100    | 09494HE7100 | 09494HE7100    | 09494HE7100    | JET,needle            | 1          |      |         |          |
| 20             | 09492HE7100    | 09492HE7100 | 09492HE7100    | 09492HE7100    | JET,pilot             | 1          |      |         |          |
| 21             | 09491HE7100    | 09491HE7100 | 09491HE7100    | 09491HE7100    | JET,main              | 1          |      |         |          |
| 22             | 13370HE7100    | 13370HE7100 | 13370HE7100    | 13370HE7100    | VALVE,needle          | 1          |      |         |          |
| 23             | 13250HE7100    | 13250HE7100 | 13250HE7100    | 13250HE7100    | FLOAT                 | 1          |      |         |          |
| 24             | 13254HE7100    | 13254HE7100 | 13254HE7100    | 13254HE7100    | PIN,float             | 1          |      |         |          |

FIG 5

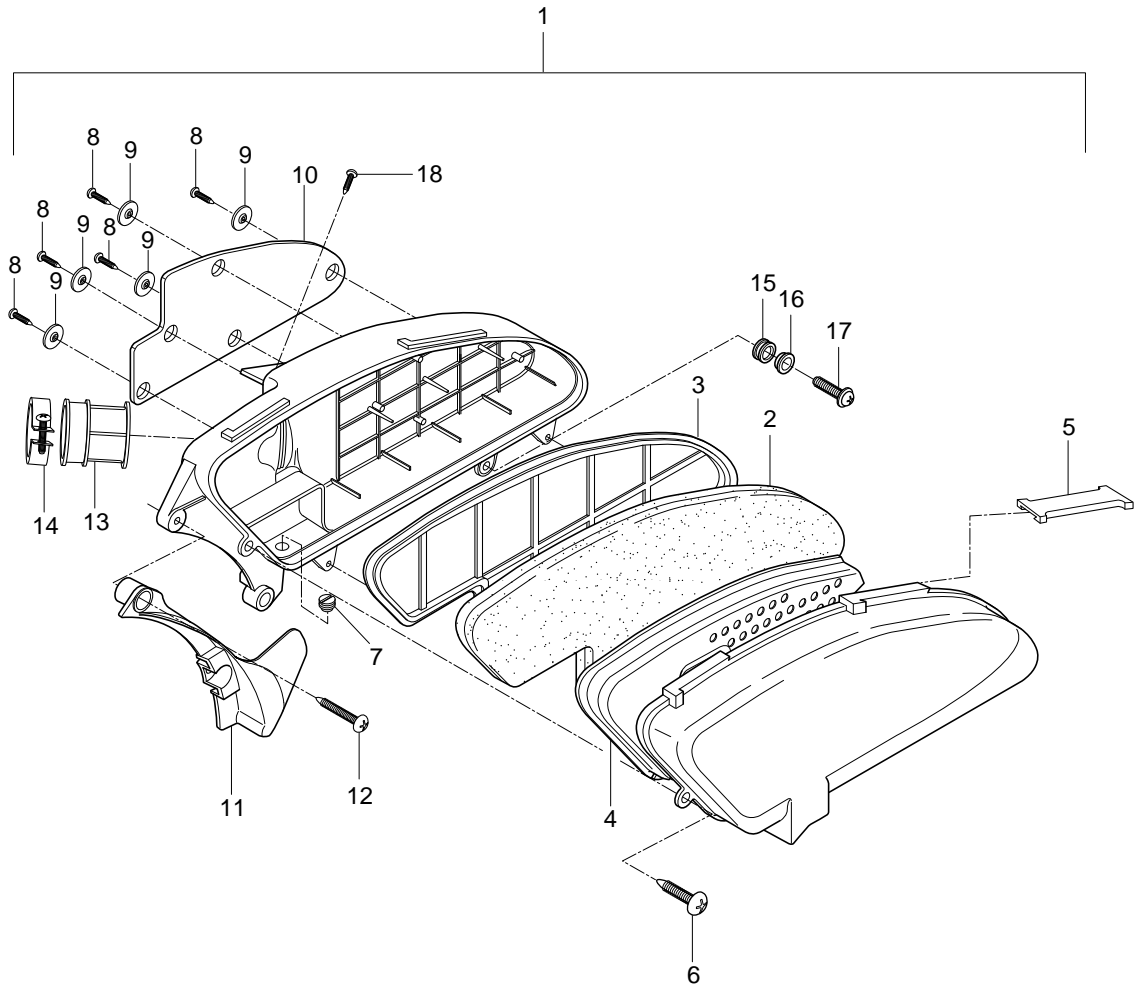


# FIG 5. CARBURETOR

| REF. PARTS NO. |             |             |             |             |                     | PARTS NAME | Q'TY | REMARKS | REC.Q'TY |
|----------------|-------------|-------------|-------------|-------------|---------------------|------------|------|---------|----------|
| NO.            | DOMESTIC    | ST01        | KEN01       | MAT01       |                     |            |      | (PCS)   |          |
| 25             | 13258HE7100 | 13258HE7100 | 13258HE7100 | 13258HE7100 | GASKET              | 1          |      |         |          |
| 26             | 13245HE7100 | 13245HE7100 | 13245HE7100 | 13245HE7100 | BODY,float          | 1          |      |         |          |
| 27             | 13278HE7100 | 13278HE7100 | 13278HE7100 | 13278HE7100 | O-RING,drain screw  | 1          |      |         |          |
| 28             | 13247HE7110 | 13247HE7110 | 13247HE7110 | 13247HE7110 | SCREW,drain         | 1          |      |         |          |
| 29             | 08321HE7100 | 08321HE7100 | 08321HE7100 | 08321HE7100 | WASHER              | 2          |      |         |          |
| 30             | 02112-04148 | 02112-04148 | 02112-04148 | 02112-04148 | SCREW               | 2          |      |         |          |
| 31             | 09401-08401 | 09401-08401 | 09401-08401 | 09401-08401 | CLIP                | 2          |      |         |          |
| 32             | 13683HE7100 | 13683HE7100 | 13683HE7100 | 13683HE7100 | HOSE                | 1          |      |         |          |
| 33             | 13630HE7100 | 13630HE7100 | 13630HE7100 | 13630HE7100 | CAP,holder outer    | 1          |      |         |          |
| 34             | 13640HE7100 | 13640HE7100 | 13640HE7100 | 13640HE7100 | CAP,holder inner    | 1          |      |         |          |
| 35             | 13430HE7100 | 13430HE7100 | 13430HE7100 | 13430HE7100 | ELEMENT ASSY,thermo | 1          |      |         |          |
| 36             | 13650HE7100 | 13650HE7100 | 13650HE7100 | 13650HE7100 | O-RING,element      | 1          |      |         |          |
| 37             | 13277HE7100 | 13277HE7100 | 13277HE7100 | 13277HE7100 | O-RING              | 1          |      |         |          |
| 38             | 13684HE7100 | 13684HE7100 | 13684HE7100 | 13684HE7100 | HOSE,air vent       | 1          |      |         |          |



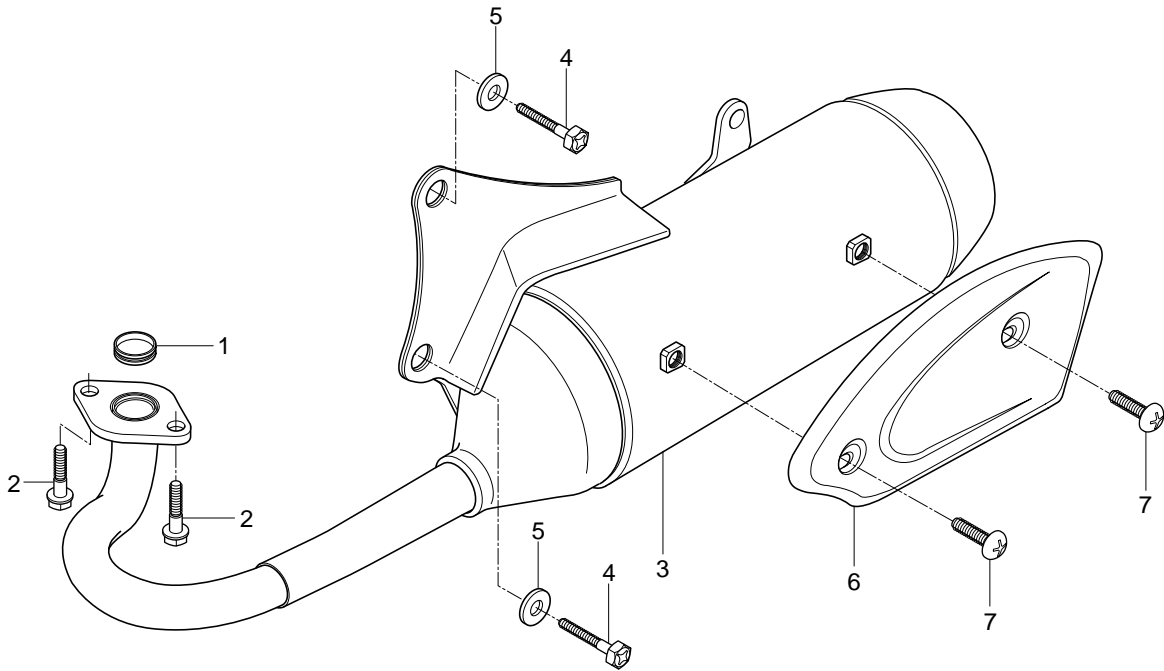
FIG 6



# FIG 6. AIR CLEANER

| REF. PARTS NO. |             |             |             |             |                                | PARTS NAME | Q'TY | REMARKS | REC.Q'TY |
|----------------|-------------|-------------|-------------|-------------|--------------------------------|------------|------|---------|----------|
| NO.            | DOMESTIC    | ST01        | KEN01       | MAT01       |                                |            |      | (PCS)   |          |
| 1              | 13700HE7109 | 13700HE7109 | 13700HE7109 | 13700HE7109 | CLEANER ASSY,air               | 1          |      | 4       |          |
| 2              | 13780HE7102 | 13780HE7102 | 13780HE7102 | 13780HE7102 | FILTET,air cleaner             | 1          |      |         |          |
| 3              | 13791HE7102 | 13791HE7102 | 13791HE7102 | 13791HE7102 | HOLDER,air cleaner             | 1          |      |         |          |
| 4              | 13891HE7101 | 13891HE7101 | 13891HE7101 | 13891HE7101 | PARTITION,air cleaner inlet    | 1          |      |         |          |
| 5              | 13821H11210 | 13821H11210 | 13821H11210 | 13821H11210 | SLIDER,air cleaner             | 2          |      |         |          |
| 6              | 03151-06165 | 03151-06165 | 03151-06165 | 03151-06165 | SCREW,TPG(M6*16)               | 3          |      |         |          |
| 7              | 13860-00010 | 13860-00010 | 13860-00010 | 13860-00010 | DRAIN COMP                     | 1          |      |         |          |
| 8              | 03511-04105 | 03511-04105 | 03511-04105 | 03511-04105 | SCREW,air cleaner(M4*10)       | 5          |      |         |          |
| 9              | 13724-41D40 | 13724-41D40 | 13724-41D40 | 13724-41D40 | WASHER,air cleaner seat        | 5          |      |         |          |
| 10             | 13723HE7100 | 13723HE7100 | 13723HE7100 | 13723HE7100 | SEAT,air cleaner case          | 1          |      |         |          |
| 11             | 13735HE7104 | 13735HE7104 | 13735HE7104 | 13735HE7104 | COVER,air cleaner              | 1          |      |         |          |
| 12             | 03141-06305 | 03141-06305 | 03141-06305 | 03141-06305 | SCREW,air cleaner upper(M6*10) | 1          |      |         |          |
| 13             | 13881HE7100 | 13881HE7100 | 13881HE7100 | 13881HE7100 | TUBE,outlet                    | 1          |      |         |          |
| 14             | 09402-42306 | 09402-42306 | 09402-42306 | 09402-42306 | CLAMP,outlet & carburetor s    | 1          |      |         |          |
| 15             | 13812-29C50 | 13812-29C50 | 13812-29C50 | 13812-29C50 | COLLAR,cleaner case            | 1          |      |         |          |
| 16             | 09320-09016 | 09320-09016 | 09320-09016 | 09320-09016 | CUSHION                        | 1          |      |         |          |
| 17             | 09137H06021 | 09137H06021 | 09137H06021 | 09137H06021 | SCREW,air cleaner rear         | 1          |      |         |          |
| 18             | 03241-15125 | 03241-15125 | 03241-15125 | 03241-15125 | SCREW,rear fender R lower l    | 1          |      |         |          |

FIG 7



# FIG 7. MUFFLER

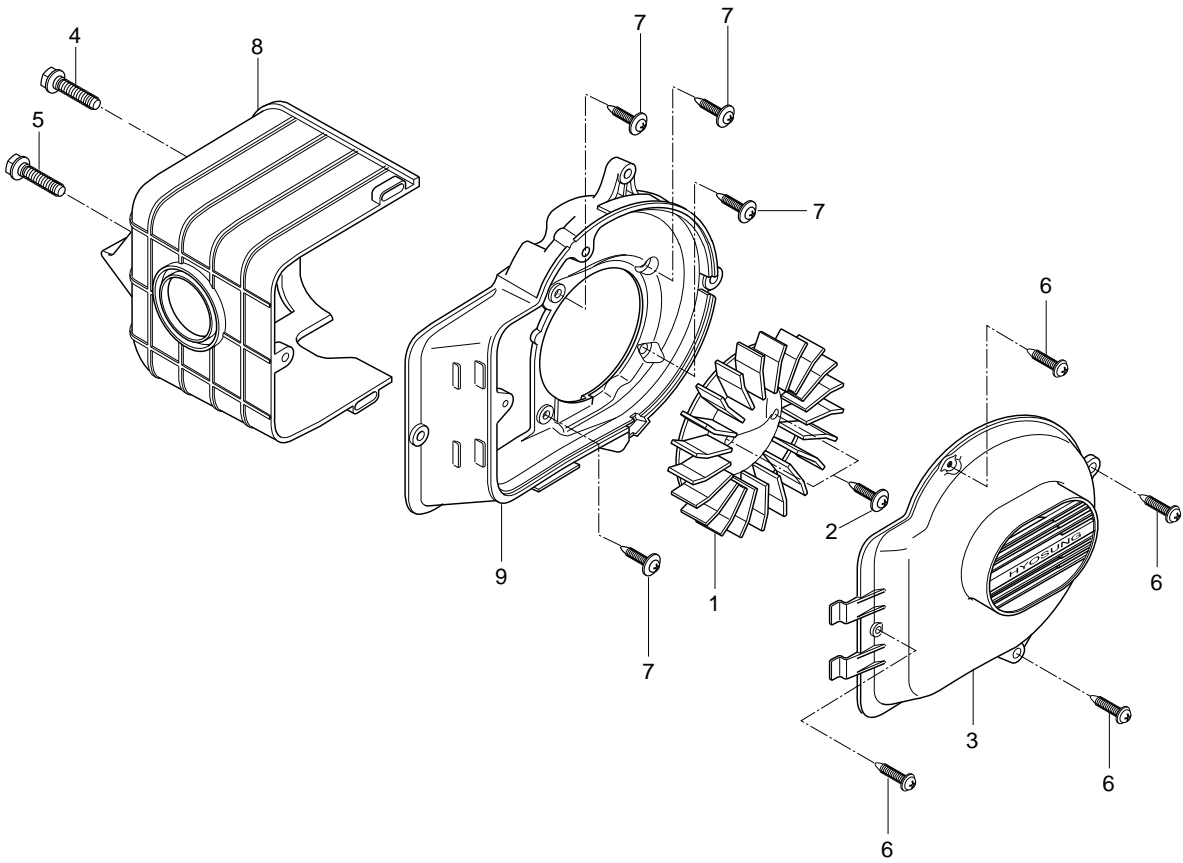
| REF. PARTS NO. |                |                |                | PARTS NAME     | Q`TY                     | REMARKS | REC.Q'TY<br>(PCS) |
|----------------|----------------|----------------|----------------|----------------|--------------------------|---------|-------------------|
| NO.            | DOMESTIC       | ST01           | KEN01          |                |                          |         |                   |
| 1              | 14181-41D00    | 14181-41D00    | 14181-41D00    | 14181-41D00    | GASKET,exhaust pipe(NA)  | 1       | 18                |
| 2              | 01517-08208    | 01517-08208    | 01517-08208    | 01517-08208    | BOLT,muffler(M8*20)      | 2       |                   |
| 3              | 14310HE7106PAM | 14310HE7106PAM | 14310HE7106PAM | 14310HE7106PAM | BODY COMP,muffler        | 1       | 12                |
| 4              | 01177-08268    | 01177-08268    | 01177-08268    | 01177-08268    | BOLT,muffler             | 2       |                   |
| 5              | 08322-11088    | 08322-11088    | 08322-11088    | 08322-11088    | WASHER,muffler           | 2       | <b>NOT SALE</b>   |
| 6              | 14780HE7101PAM | 14780HE7101PAM | 14780HE7101PAM | 14780HE7101PAM | COVER COMP,muffer        | 1       | 4                 |
| 7              | 02112-36105    | 02112-36105    | 02112-36105    | 02112-36105    | SCREW,muffler cover(M6*1 | 2       |                   |



# FIG 8. OIL PUMP

| REF. PARTS NO. |                 |                 |                 |                 |                            | PARTS NAME | Q`TY | REMARKS | REC.Q`TY |
|----------------|-----------------|-----------------|-----------------|-----------------|----------------------------|------------|------|---------|----------|
| NO.            | DOMESTIC        | ST01            | KEN01           | MAT01           |                            |            |      | (PCS)   |          |
| 1              | 16000-41D06     | 16000-41D06     | 16000-41D06     | 16000-41D06     | PUMP ASSY,oil              | 1          |      | 2       |          |
| 2              | 09280H20002     | 09280H20002     | 09280H20002     | 09280H20002     | O-RING,oil pump            | 1          |      | 4       |          |
| 3              | 02112-35168     | 02112-35168     | 02112-35168     | 02112-35168     | SCREW,oil pump             | 2          |      |         |          |
| 4              | 02112-06128     | 02112-06128     | 02112-06128     | 02112-06128     | SCREW,oil pump cable brack | 1          |      |         |          |
| 5              | 02112-06106     | 02112-06106     | 02112-06106     | 02112-06106     | SCREW,oil pump cable adjus | 2          |      |         |          |
| 6              | 16631HE7101     | 16631HE7101     | 16631HE7101     | 16631HE7101     | BRACKET,oil pump cable ad  | 1          |      |         |          |
| 7              | 16821HE7102     | 16821HE7102     | 16821HE7102     | 16821HE7102     | HOSE,oil No. 1             | 1          |      |         |          |
| 8              | 09401-10401     | 09401-10401     | 09401-10401     | 09401-10401     | CLIP,oil hose No. 1        | 2          |      |         |          |
| 9              |                 |                 |                 |                 |                            |            |      |         |          |
| 10             | 16831HE7102-200 | 16831HE7102-200 | 16831HE7102-200 | 16831HE7102-200 | HOSE,oil No. 2(L=200)      | 1          |      |         |          |
| 11             |                 |                 |                 |                 |                            |            |      |         |          |
| 12             | 09401H05404     | 09401H05404     | 09401H05404     | 09401H05404     | CLIP                       | 2          |      |         |          |
| 13             | 09408-00066     | 09408-00066     | 09408-00066     | 09408-00066     | CLAMP,oil hose No. 2       | 1          |      |         |          |
| 14             | 09404-06401     | 09404-06401     | 09404-06401     | 09404-06401     | CLAMP,oil hose No. 1       | 1          |      |         |          |
| 15             | 09367-03001     | 09367-03001     | 09367-03001     | 09367-03001     | JOINT,oil hose No. 2       | 1          |      |         |          |
| 16             | 09352-20503-025 | 09352-20503-025 | 09352-20503-025 | 09352-20503-025 | HOSE,oil(L=25)             | 1          |      |         |          |
| 17             | 09401-04401     | 09401-04401     | 09401-04401     | 09401-04401     | CLIP,oil hose No. 2        | 5          |      |         |          |
| 18             | 09352-20503     | 09352-20503     | 09352-20503     | 09352-20503     | HOSE,oil(L=80)             | 1          |      |         |          |
| 19             | 16831H11200     | 16831H11200     | 16831H11200     | 16831H11200     | HOSE,oil No. 2(L=170)      | 1          |      |         |          |
| 20             | 16331-37B00     | 16331-37B00     | 16331-37B00     | 16331-37B00     | GEAR,oil pump driven       | 1          |      | 4       |          |

FIG 9

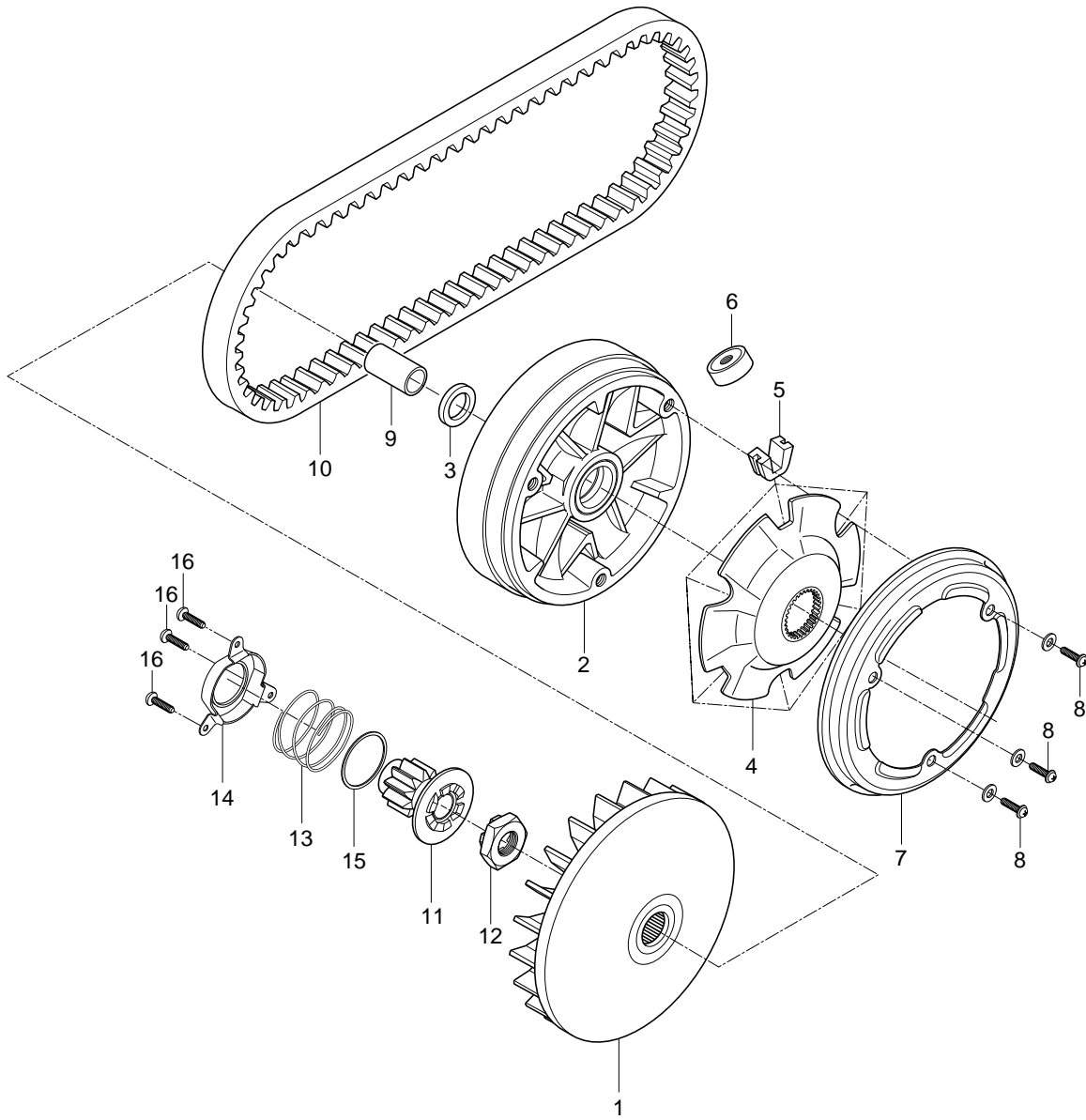


# FIG 9. COOLING FAN

| REF. PARTS NO. |             |             |             |             |                               | PARTS NAME | Q'TY | REMARKS | REC.Q'TY |
|----------------|-------------|-------------|-------------|-------------|-------------------------------|------------|------|---------|----------|
| NO.            | DOMESTIC    | ST01        | KEN01       | MAT01       |                               |            |      | (PCS)   |          |
| 1              | 17110-04C00 | 17110-04C00 | 17110-04C00 | 17110-04C00 | FAN COMP,cowling              | 1          |      | 2       |          |
| 2              | 02152-06128 | 02152-06128 | 02152-06128 | 02152-06128 | SCREW,cooling fan(M6*12)      | 2          |      |         |          |
| 3              | 17131HE7100 | 17131HE7100 | 17131HE7100 | 17131HE7100 | COWLING.fan                   | 1          |      | 2       |          |
| 4              | 02112-96168 | 02112-96168 | 02112-96168 | 02112-96168 | SCREW,cylinder cowling(M6*12) | 1          |      |         |          |
| 5              | 02112-96168 | 02112-96168 | 02112-96168 | 02112-96168 | SCREW,cylinder cowling(M6*12) | 1          |      |         |          |
| 6              | 03151-06208 | 03151-06208 | 03151-06208 | 03151-06208 | SCREW,fan cowling(M6*20)      | 4          |      |         |          |
| 7              | 02112-06168 | 02112-06168 | 02112-06168 | 02112-06168 | SCREW,fan case(M6*16)         | 4          |      |         |          |
| 8              | 17120HE7104 | 17120HE7104 | 17120HE7104 | 17120HE7104 | COWLING COMP.cylinder         | 1          |      | 2       |          |
| 9              | 17140HE7102 | 17140HE7102 | 17140HE7102 | 17140HE7102 | CASE COMP,fan                 | 1          |      | 2       |          |



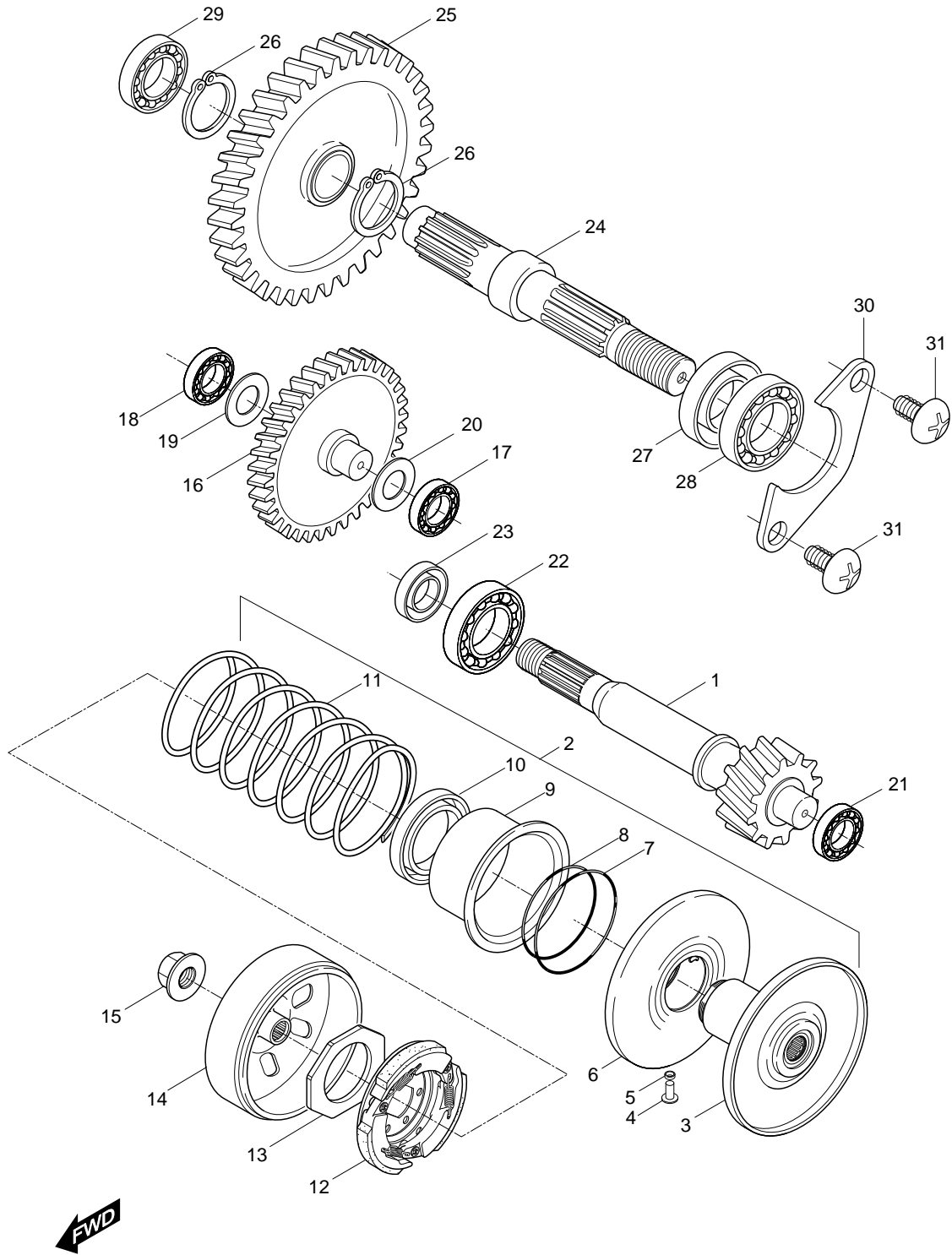
FIG 10



# FIG 10. TRANSMISSION(1)

| REF. PARTS NO. |             |             |             |             |                             | PARTS NAME | Q'TY               | REMARKS | REC.Q'TY |
|----------------|-------------|-------------|-------------|-------------|-----------------------------|------------|--------------------|---------|----------|
| NO.            | DOMESTIC    | ST01        | KEN01       | MAT01       |                             |            |                    | (PCS)   |          |
| 1              | 21110HE7101 | 21110HE7101 | 21110HE7101 | 21110HE7101 | FACE COMP,fixed drive       | 1          |                    | 4       |          |
| 2              | 21120HE7100 | 21120HE7100 | 21120HE7100 | 21120HE7100 | FACE,movable drive          | 1          | ~KM4CE13B251111116 | 1       |          |
|                | 21120HP5301 | 21120HP5301 | 21120HP5301 | 21120HP5301 | FACE,movable drive          | 1          | KM4CE13B651111118~ | 1       |          |
| 3              | 09284-22003 | 09284-22003 | 09284-22003 | 09284-22003 | OIL SEAL,movable drive      | 1          | NOT SALE           |         |          |
| 4              | 21431HE7100 | 21431HE7100 | 21431HE7100 | 21431HE7100 | PLATE,movable drive         | 1          |                    |         |          |
| 5              | 21481HE7100 | 21481HE7100 | 21481HE7100 | 21481HE7100 | DAMPER,movable drive        | 6          |                    | 6       |          |
| 6              | 21652HE7100 | 21652HE7100 | 21652HE7100 | 21652HE7100 | ROLLER,movable dirve        | 6          |                    | 24      |          |
| 7              | 21122-37B01 | 21122-37B01 | 21122-37B01 | 21122-37B01 | COVER,movable drive         |            |                    |         |          |
| 8              | 02142-04088 | 02142-04088 | 02142-04088 | 02142-04088 | SCREW,movable drive(M4*8)   |            |                    |         |          |
| 9              | 09180H16011 | 09180H16011 | 09180H16011 | 09180H16011 | SPACER,movable drive        | 1          |                    |         |          |
| 10             | 27601HE7100 | 27601HE7100 | 27601HE7100 | 27601HE7100 | V-BELT,drive                | 1          |                    | 14      |          |
| 11             | 26280HE7101 | 26280HE7101 | 26280HE7101 | 26280HE7101 | GEAR,kick starter driven    | 1          |                    | 1       |          |
| 12             | 26282HE7100 | 26282HE7100 | 26282HE7100 | 26282HE7100 | NUT,kick starter            | 1          |                    | 2       |          |
| 13             | 09440-33003 | 09440-33003 | 09440-33003 | 09440-33003 | SPRING,kick drivengear      | 1          |                    | 2       |          |
| 14             | 26283-41D02 | 26283-41D02 | 26283-41D02 | 26283-41D02 | HOLDER,kick driven gear sp  | 1          |                    |         |          |
| 15             | 26284-41D00 | 26284-41D00 | 26284-41D00 | 26284-41D00 | WASHER,kick driven gear sp  | 1          |                    |         |          |
| 16             | 02112-74108 | 02112-74108 | 02112-74108 | 02112-74108 | SCREW,kick driven gear spri | 3          |                    |         |          |

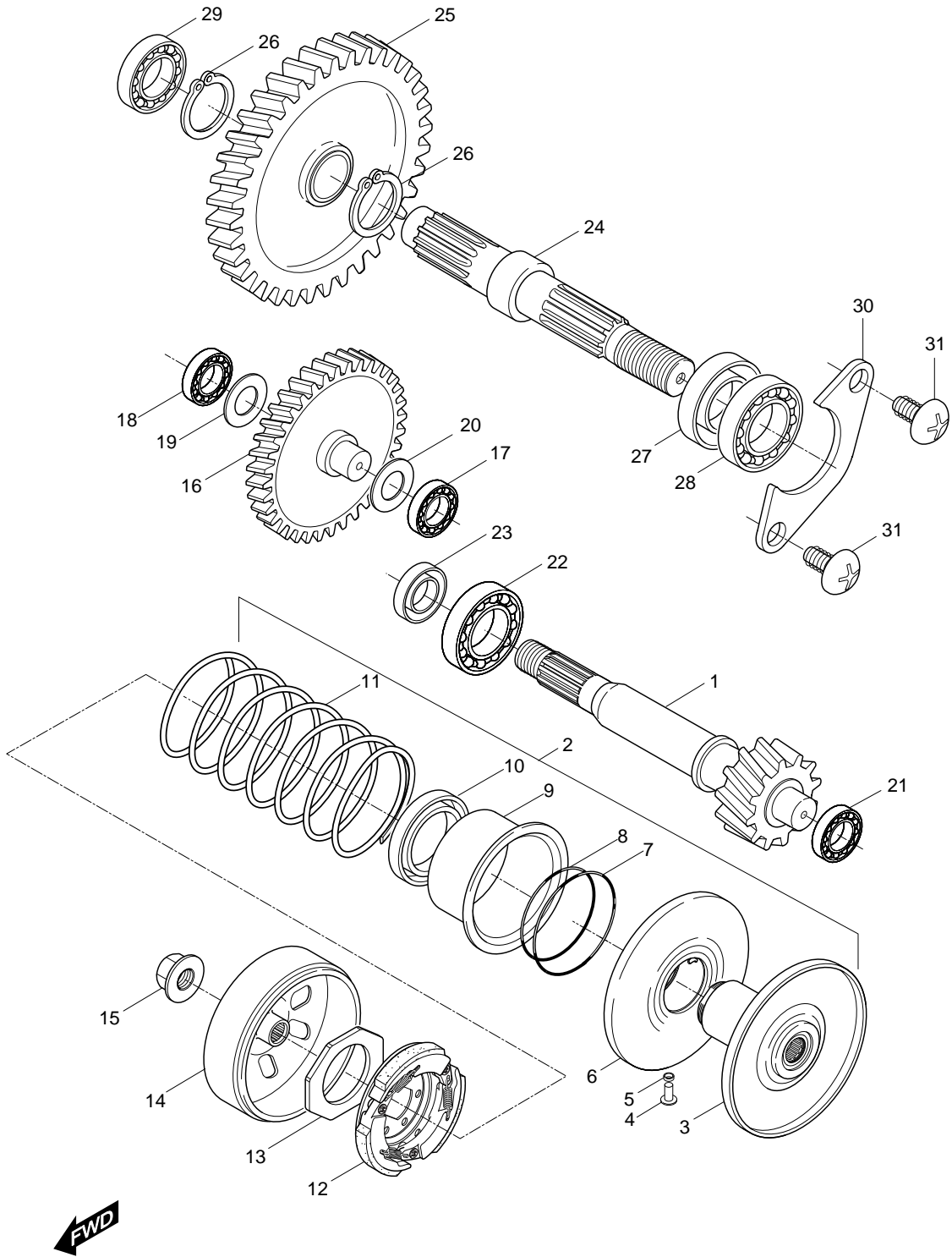
FIG 11



# FIG 11. TRANSMISSION(2)

| REF. PARTS NO. |             |             |             |             |                            | PARTS NAME | Q'TY | REMARKS | REC.Q'TY |
|----------------|-------------|-------------|-------------|-------------|----------------------------|------------|------|---------|----------|
| NO.            | DOMESTIC    | ST01        | KEN01       | MAT01       |                            |            |      | (PCS)   |          |
| 1              | 24131HE7102 | 24131HE7102 | 24131HE7102 | 24131HE7102 | SHAFT,drive                | 1          |      |         |          |
| 2              | 21091HE7101 | 21091HE7101 | 21091HE7101 | 21091HE7101 | PULLEY ASS'Y,driven        | 1          |      |         |          |
| 3              | 21210HE7101 | 21210HE7101 | 21210HE7101 | 21210HE7101 | FACE COMP,fixed driven     | 1          |      |         |          |
| 4              | 09201H05002 | 09201H05002 | 09201H05002 | 09201H05002 | PIN,roller guide           | 3          |      |         |          |
| 5              | 09180H05002 | 09180H05002 | 09180H05002 | 09180H05002 | SPACER                     | 3          |      |         |          |
| 6              | 21240HE7101 | 21240HE7101 | 21240HE7101 | 21240HE7101 | FACE,movable driven        | 1          |      |         |          |
| 7              | 09280H38002 | 09280H38002 | 09280H38002 | 09280H38002 | O-RING                     | 1          |      |         |          |
| 8              | 09280H36002 | 09280H36002 | 09280H36002 | 09280H36002 | O-RING                     | 1          |      |         |          |
| 9              | 21471HE7100 | 21471HE7100 | 21471HE7100 | 21471HE7100 | SHEET,movable face         | 1          |      |         |          |
| 10             | 09284H34001 | 09284H34001 | 09284H34001 | 09284H34001 | OIL SEAL                   | 2          |      |         |          |
| 11             | 09440H54002 | 09440H54002 | 09440H54002 | 09440H54002 | SPRING,driven face         | 1          |      |         |          |
| 12             | 21501HE7102 | 21501HE7102 | 21501HE7102 | 21501HE7102 | CLUTCH ASSY,shoe(NA)       | 1          |      | 6       |          |
| 13             | 09140H28004 | 09140H28004 | 09140H28004 | 09140H28004 | NUT(M28)                   | 1          |      | 2       |          |
| 14             | 21220HE7102 | 21220HE7102 | 21220HE7102 | 21220HE7102 | HOUSING COMP,clutch(M1     | 1          |      |         |          |
| 15             | 08316-26108 | 08316-26108 | 08316-26108 | 08316-26108 | NUT,clutch housing         | 1          |      |         |          |
| 16             | 24151HE7100 | 24151HE7100 | 24151HE7100 | 24151HE7100 | SHAFT,idle                 | 1          |      |         |          |
| 17             | 08113-62010 | 08113-62010 | 08113-62010 | 08113-62010 | BEARING,idle shaft L       | 1          |      |         |          |
| 18             | 09263H16002 | 09263H16002 | 09263H16002 | 09263H16002 | BEARING,idle shaft R       | 1          |      |         |          |
| 19             | 08211-12201 | 08211-12201 | 08211-12201 | 08211-12201 | WASHER,idle shaft R        | 1          |      |         |          |
| 20             | 08211-16301 | 08211-16301 | 08211-16301 | 08211-16301 | WASHER,idle shaft L        | 1          |      |         |          |
| 21             | 09262-15017 | 09262-15017 | 09262-15017 | 09262-15017 | BEARING,drive shaft L      | 1          |      |         |          |
| 22             | 09262H17001 | 09262H17001 | 09262H17001 | 09262H17001 | BEARING,drive shaft R      | 1          |      |         |          |
| 23             | 09283H17003 | 09283H17003 | 09283H17003 | 09283H17003 | OIL SEAL,drive shaft       | 1          |      |         |          |
| 24             | 24141-41D00 | 24141-41D00 | 24141-41D00 | 24141-41D00 | SHAFT,rear axle            | 1          |      |         |          |
| 25             | 24371HE7100 | 24371HE7100 | 24371HE7100 | 24371HE7100 | GEAR,final driven          | 1          |      |         |          |
| 26             | 08331-31229 | 08331-31229 | 08331-31229 | 08331-31229 | CIRCLIP, final driven gear | 2          |      |         |          |

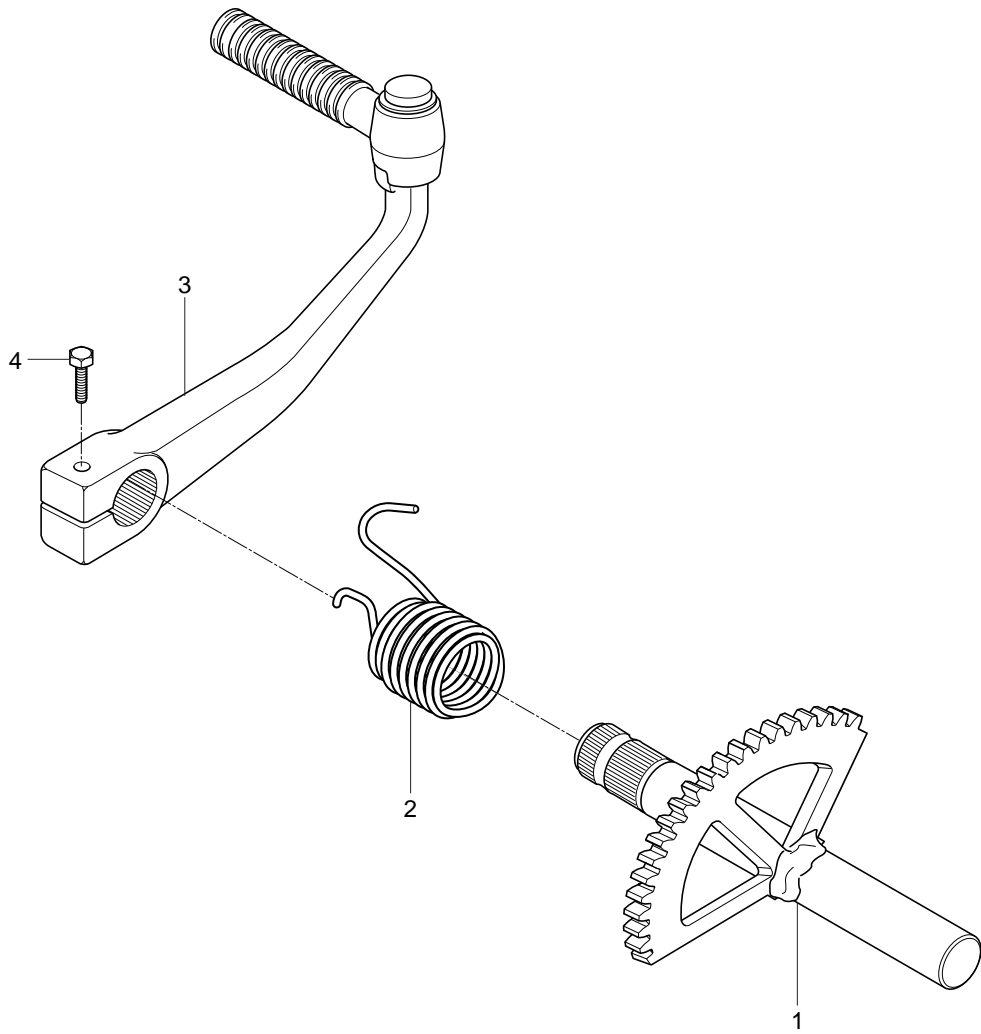
FIG 11



## FIG 11. TRANSMISSION(2)

| REF. PARTS NO. |             |             |             |             | PARTS NAME                  | Q'TY | REMARKS | REC.Q'TY<br>(PCS) |
|----------------|-------------|-------------|-------------|-------------|-----------------------------|------|---------|-------------------|
| NO.            | DOMESTIC    | ST01        | KEN01       | MAT01       |                             |      |         |                   |
| 27             | 09283-27010 | 09283-27010 | 09283-27010 | 09283-27010 | OIL SEAL,axle shaft L       | 1    |         |                   |
| 28             | 08130-62047 | 08130-62047 | 08130-62047 | 08130-62047 | BEARING,axle shaft L        | 1    |         |                   |
| 29             | 08110-62030 | 08110-62030 | 08110-62030 | 08110-62030 | BEARING,axle shaft R        | 1    |         |                   |
| 30             | 24751H07900 | 24751H07900 | 24751H07900 | 24751H07900 | RETAINER,axle shaft bearing | 1    |         |                   |
| 31             | 02122-06168 | 02122-06168 | 02122-06168 | 02122-06168 | SCREW,bearing retainer(M6)  | 2    |         |                   |

FIG 12

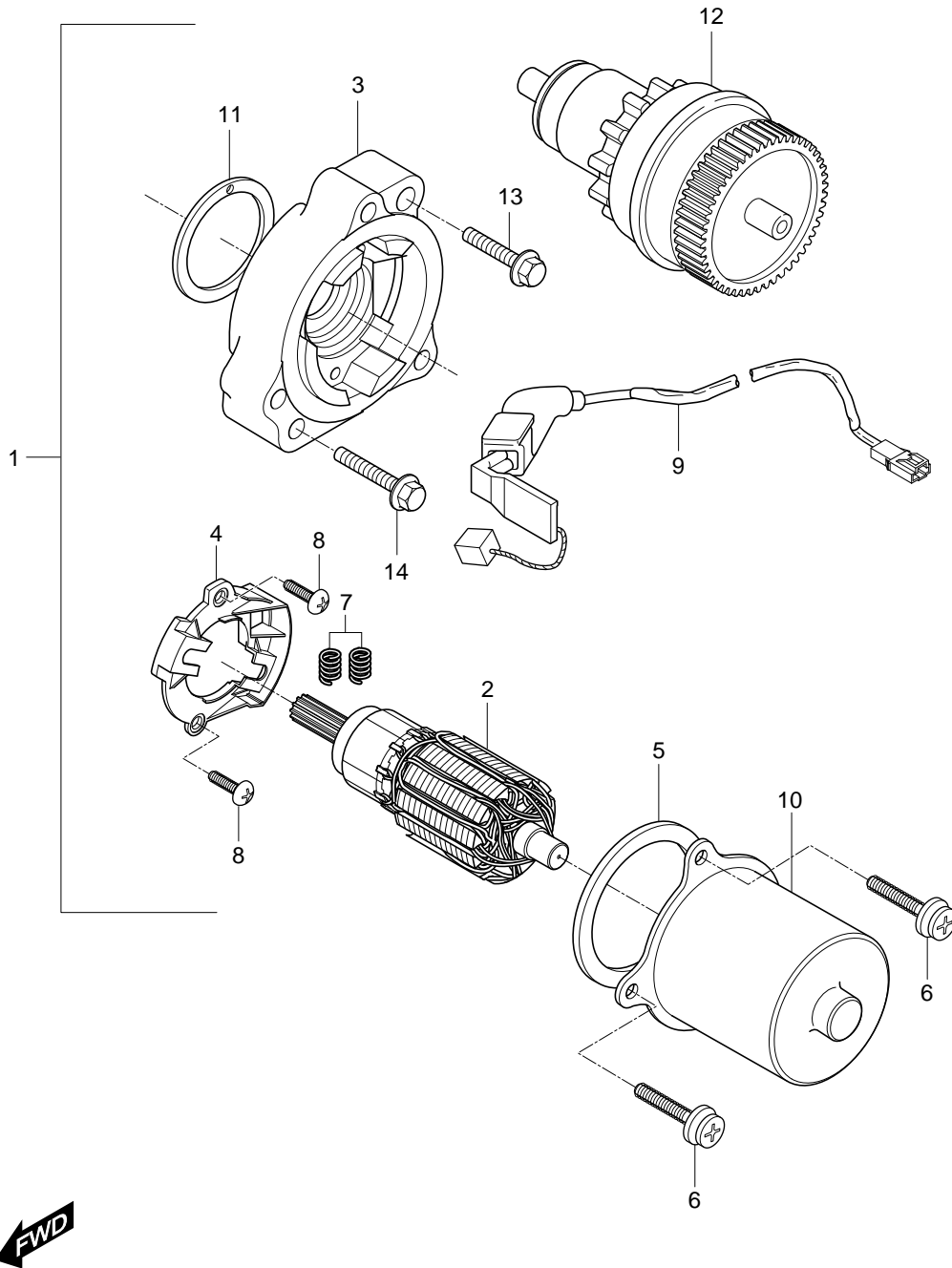


# FIG 12. KICK STARTER

| REF. PARTS NO. |             |             |             |             |                             | PARTS NAME | Q`TY | REMARKS | REC.Q'TY |
|----------------|-------------|-------------|-------------|-------------|-----------------------------|------------|------|---------|----------|
| NO.            | DOMESTIC    | ST01        | KEN01       | MAT01       |                             |            |      | (PCS)   |          |
| 1              | 26210HE7102 | 26210HE7102 | 26210HE7102 | 26210HE7102 | SHAFT,kick starter          | 1          |      | 2       |          |
| 2              | 09448H30016 | 09448H30016 | 09448H30016 | 09448H30016 | SPRING,kick starter shaft   | 1          |      | 2       |          |
| 3              | 26300HE7100 | 26300HE7100 | 26300HE7100 | 26300HE7100 | LEVER ASSY,kick starter     | 1          |      | 2       |          |
| 4              | 01107-06208 | 01107-06208 | 01107-06208 | 01107-06208 | BOLT,kick starter lever(M6* | 1          |      |         |          |



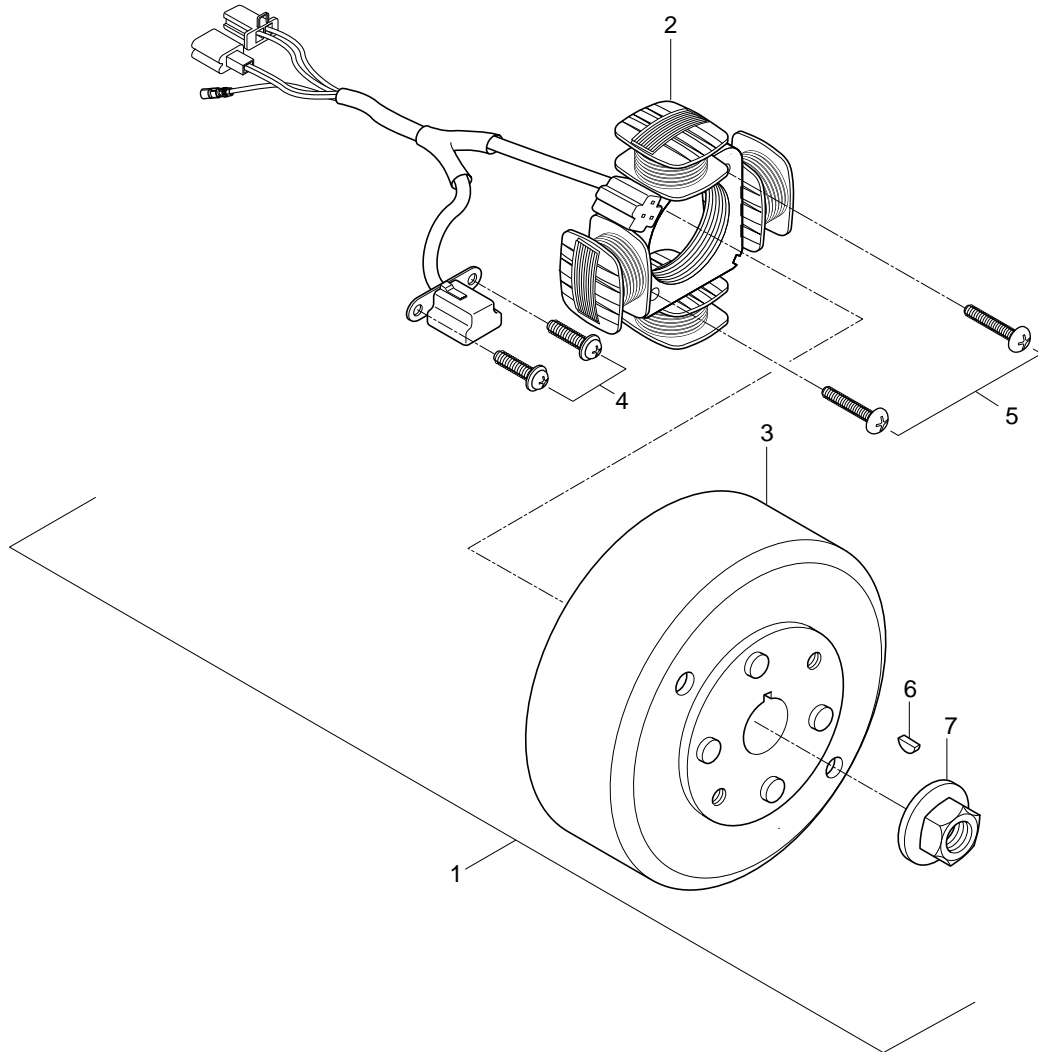
FIG 13



# FIG 13. STARTING MOTOR

| REF. PARTS NO. |             |             |             |             |                            | PARTS NAME | Q'TY | REMARKS | REC.Q'TY |
|----------------|-------------|-------------|-------------|-------------|----------------------------|------------|------|---------|----------|
| NO.            | DOMESTIC    | ST01        | KEN01       | MAT01       |                            |            |      | (PCS)   |          |
| 1              | 31100HE7100 | 31100HE7100 | 31100HE7100 | 31100HE7100 | MOTOR ASSY,starting        | 1          |      | 6       |          |
| 2              | 31311-04C01 | 31311-04C01 | 31311-04C01 | 31311-04C01 | ARMATURE                   | 1          |      |         |          |
| 3              | 31130-04C00 | 31130-04C00 | 31130-04C00 | 31130-04C00 | HOLDER ASSY, brush         | 1          |      |         |          |
| 4              | 31131-04C00 | 31131-04C00 | 31131-04C00 | 31131-04C00 | HOLDER,brush               | 1          |      |         |          |
| 5              | 31157-02540 | 31157-02540 | 31157-02540 | 31157-02540 | GASKET                     | 1          |      |         |          |
| 6              | 02112-35166 | 02112-35166 | 02112-35166 | 02112-35166 | SCREW(M5*16)               | 3          |      |         |          |
| 7              | 31135-05B00 | 31135-05B00 | 31135-05B00 | 31135-05B00 | SPRING,brush               | 2          |      |         |          |
| 8              | 02112-06308 | 02112-06308 | 02112-06308 | 02112-06308 | SCREW(M6*30)               | 2          |      |         |          |
| 9              | 31142-41A00 | 31142-41A00 | 31142-41A00 | 31142-41A00 | WIRE,lead                  | 1          |      |         |          |
| 10             | 31120-04C00 | 31120-04C00 | 31120-04C00 | 31120-04C00 | COVER,starting motor       | 1          |      |         |          |
| 11             | 31156-05B00 | 31156-05B00 | 31156-05B00 | 31156-05B00 | O-RING                     | 1          |      |         |          |
| 12             | 31370HE7100 | 31370HE7100 | 31370HE7100 | 31370HE7100 | PINION ASSY,starting motor | 1          |      |         |          |
| 13             | 02112-36308 | 02112-36308 | 02112-36308 | 02112-36308 | SCREW,starting motor(M6*3  | 1          |      |         |          |
| 14             | 02112-36358 | 02112-36358 | 02112-36358 | 02112-36358 | SCREW,starting motor(M6*3  | 1          |      |         |          |

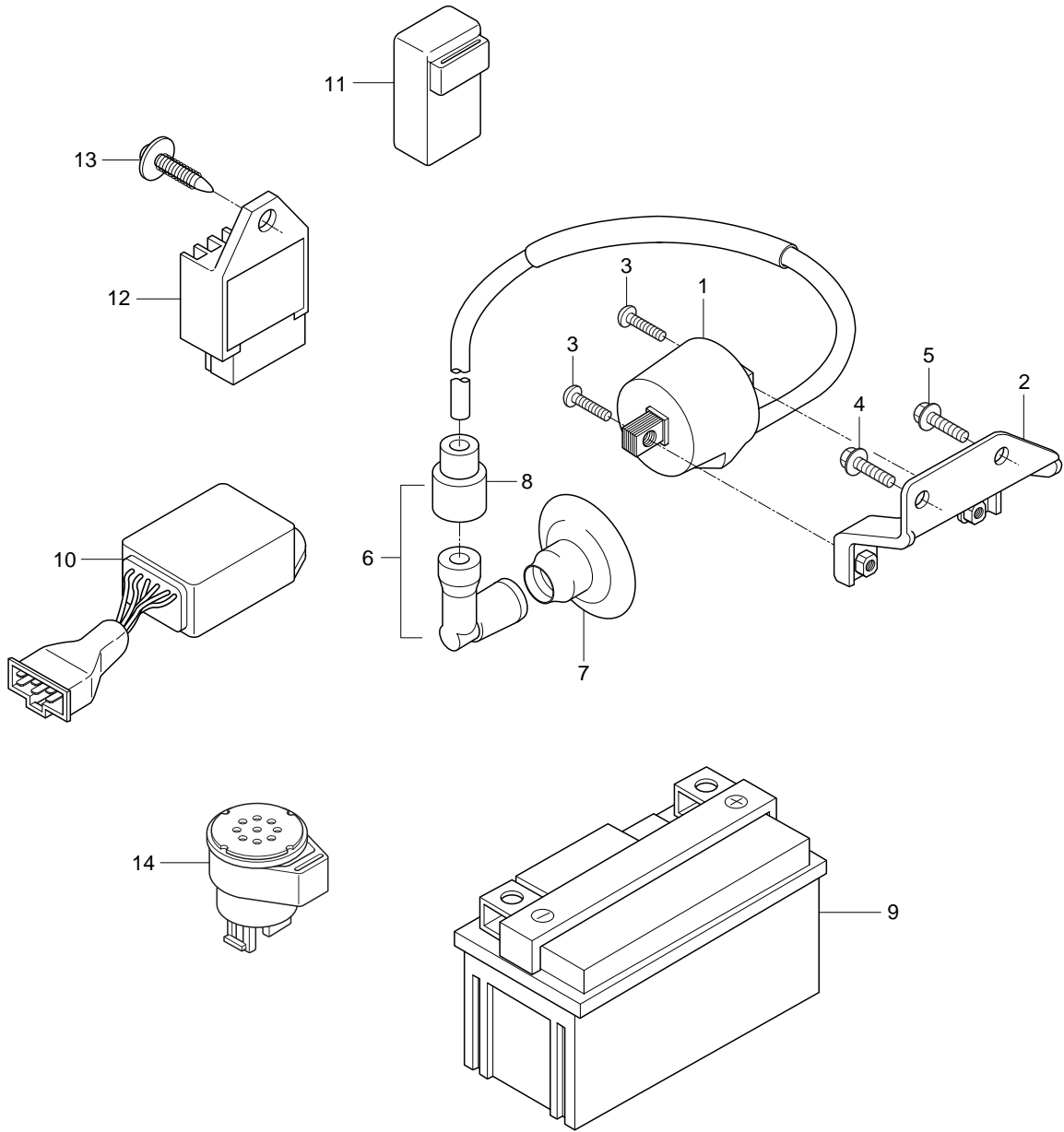
FIG 14



# FIG 14. MAGNETO

| REF. PARTS NO. |             |             |             |             |                           | PARTS NAME | Q'TY | REMARKS | REC.Q'TY |
|----------------|-------------|-------------|-------------|-------------|---------------------------|------------|------|---------|----------|
| NO.            | DOMESTIC    | ST01        | KEN01       | MAT01       |                           |            |      | (PCS)   |          |
| 1              | 32100HE7100 | 32100HE7100 | 32100HE7100 | 32100HE7100 | MAGNETO ASSY              | 1          |      | 2       |          |
| 2              | 32101HE7100 | 32101HE7100 | 32101HE7100 | 32101HE7100 | STATOR ASSY               | 1          |      |         |          |
| 3              | 32102HE7100 | 32102HE7100 | 32102HE7100 | 32102HE7100 | ROTOR ASSY                | 1          |      |         |          |
| 4              | 02112-05106 | 02112-05106 | 02112-05106 | 02112-05106 | SCREW,pulser coil(M5*10)  | 2          |      |         |          |
| 5              | 02112-06206 | 02112-06206 | 02112-06206 | 02112-06206 | SCREW,magneto stator      | 2          |      |         |          |
| 6              | 08341-31039 | 08341-31039 | 08341-31039 | 08341-31039 | KEY,magneto               | 1          |      |         |          |
| 7              | 08316-26108 | 08316-26108 | 08316-26108 | 08316-26108 | NUT,magneto flywheel(M10) | 1          |      |         |          |

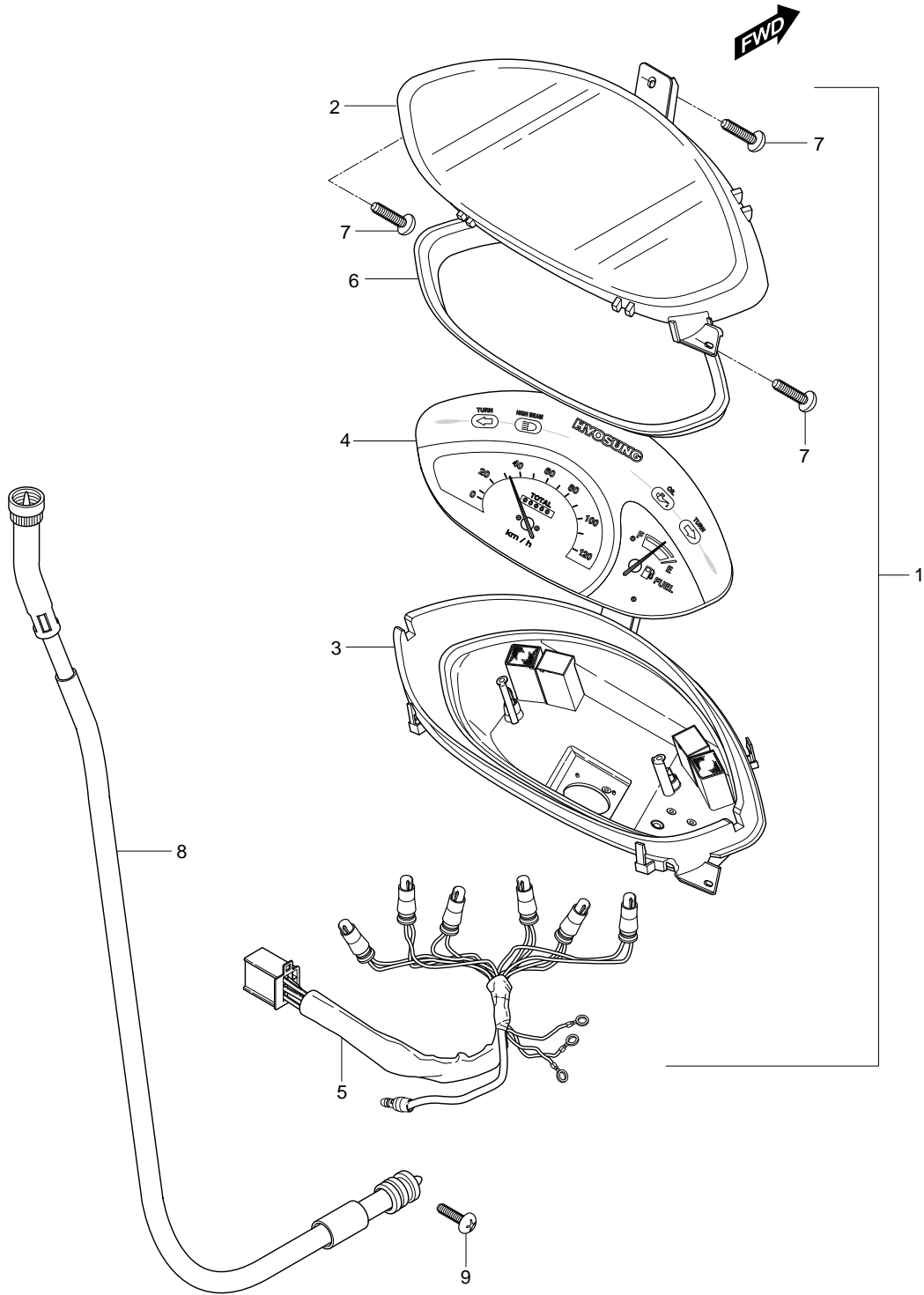
FIG 15



# FIG 15. ELECTRICAL

| REF. PARTS NO. |             |             |             |             |                                 | PARTS NAME | Q'TY | REMARKS | REC.Q'TY |
|----------------|-------------|-------------|-------------|-------------|---------------------------------|------------|------|---------|----------|
| NO.            | DOMESTIC    | ST01        | KEN01       | MAT01       |                                 |            |      | (PCS)   |          |
| 1              | 33410HG7200 | 33410HG7200 | 33410HG7200 | 33410HG7200 | COIL ASSY,ignition              | 1          |      | 2       |          |
| 2              | 33416HE7101 | 33416HE7101 | 33416HE7101 | 33416HE7101 | BRACKET,ignition coil           | 1          |      |         |          |
| 3              | 02112-06206 | 02112-06206 | 02112-06206 | 02112-06206 | SCREW,ignition coil(M6*20)      | 2          |      |         |          |
| 4              | 02112-06206 | 02112-06206 | 02112-06206 | 02112-06206 | SCREW,ignition coil bracket     | 1          |      |         |          |
| 5              | 02112-06206 | 02112-06206 | 02112-06206 | 02112-06206 | SCREW,ignition coil bracket     | 1          |      |         |          |
| 6              | 33510H11200 | 33510H11200 | 33510H11200 | 33510H11200 | CAP,spark plug                  | 1          |      | 3       |          |
| 7              | 33543H11200 | 33543H11200 | 33543H11200 | 33543H11200 | BOOT spark plug cap             | 1          |      |         |          |
| 8              | 33542-98000 | 33542-98000 | 33542-98000 | 33542-98000 | SEAL,hightension cord           | 1          |      |         |          |
| 9              | 33610-40B12 | 33610-40B12 | 33610-40B12 | 33610-40B12 | BATTERY ASSY                    | 1          |      |         |          |
| 10             | 32900H41D10 | 32900H41D10 | 32900H41D10 | 32900H41D10 | C.D.I UNIT                      | 1          |      | 4       |          |
| 11             | 31800-41D00 | 31800-41D00 | 31800-41D00 | 31800-41D00 | RELAY ASS'Y,starting moto       | 1          |      | 4       |          |
| 12             | 32800-36C20 | 32800-36C20 | 32800-36C20 | 32800-36C20 | RECTIFIER ASS'Y                 | 1          |      | 2       |          |
| 13             | 02112-06168 | 02112-06168 | 02112-06168 | 02112-06168 | SCREW,rectifier(M6*16)          | 1          |      |         |          |
| 14             | 38610-36C00 | 38610-36C00 |             |             | RELAY ASS'Y,turnsignal & buzzer | 1          |      | 4       |          |
| 14-1           |             |             | 38610H09411 | 38610H09411 | RELAY ASS'Y,turnsignal & buzzer |            |      |         |          |

FIG 16

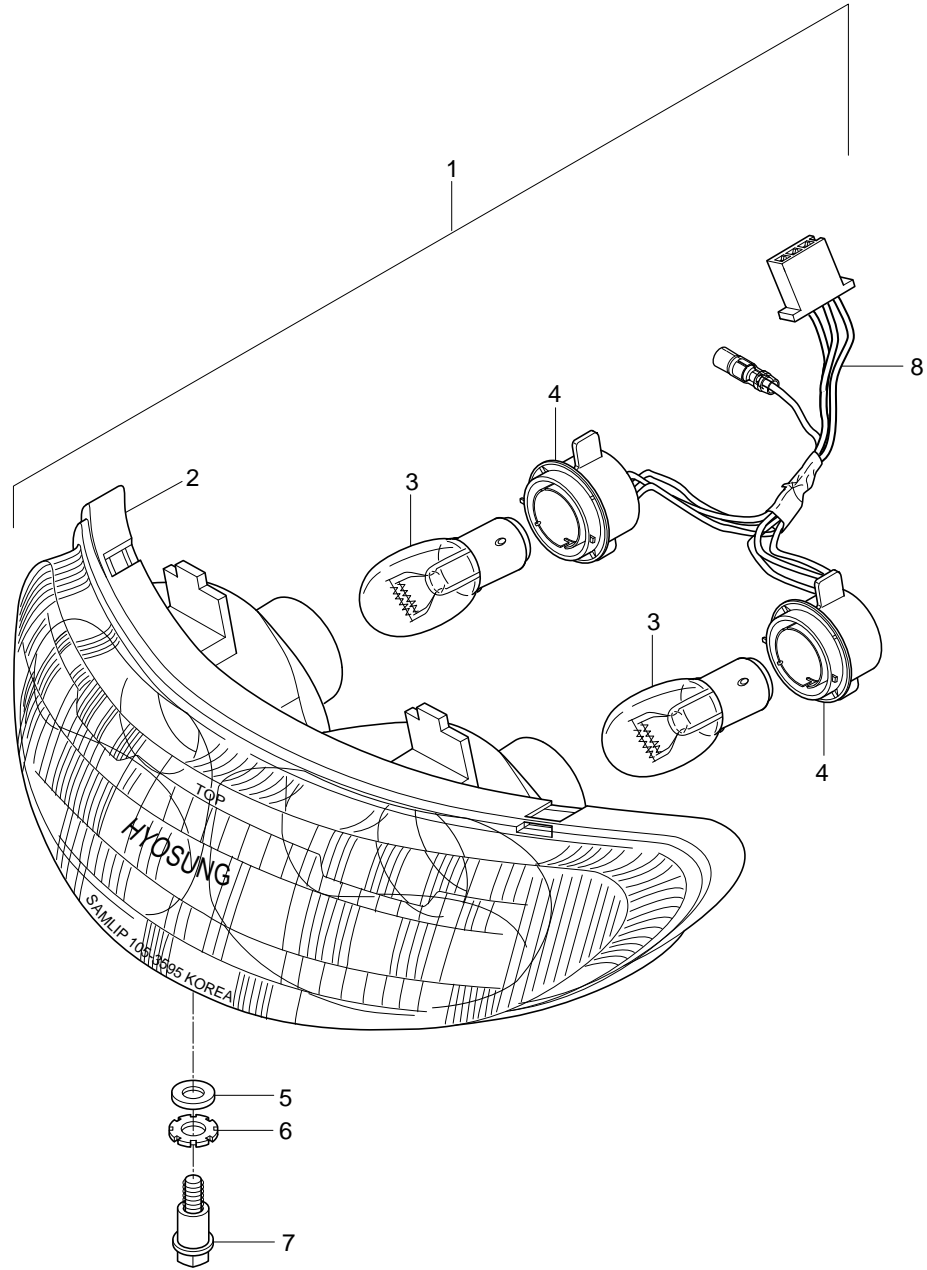


# FIG 16. SPEEDOMETER

| REF. PARTS NO. |             |             |             |             |                           | PARTS NAME | Q'TY            | REMARKS | REC.Q'TY |
|----------------|-------------|-------------|-------------|-------------|---------------------------|------------|-----------------|---------|----------|
| NO.            | DOMESTIC    | ST01        | KEN01       | MAT01       |                           |            |                 | (PCS)   |          |
| 1              | 34100HG7201 | 34100HG7201 |             | 34100HG7201 | SPEEDOMETER ASSY          | 1          |                 |         |          |
| 1-1            |             |             | 34100HG7751 |             | SPEEDOMETER ASSY          |            |                 | 6       |          |
| 2              | 34510HE7100 | 34510HE7100 | 34510HE7100 | 34510HE7100 | FRONT ACRYL               | 1          |                 |         |          |
| 3              | 34610HE7100 | 34610HE7100 | 34610HE7100 | 34610HE7100 | CASE                      | 1          | <b>NOT SALE</b> |         |          |
| 4              | 34102HG7200 | 34102HG7200 | 34102HG7200 | 34102HG7200 | DIAL                      | 1          | <b>NOT SALE</b> |         |          |
| 5              | 34160HE7100 | 34160HE7100 | 34160HE7100 | 34160HE7100 | CORD                      | 1          |                 |         |          |
| 6              | 34101HE7100 | 34101HE7100 | 34101HE7100 | 34101HE7100 | CASE>window               | 1          |                 |         |          |
| 7              | 03241-05165 | 03241-05165 | 03241-05165 | 03241-05165 | SCREW,speedometer(M5*16   | 3          |                 |         |          |
| 8              | 34910HB1101 | 34910HB1101 | 34910HB1101 | 34910HB1101 | CABLE ASSY,speedometer    | 1          |                 |         |          |
| 9              | 02112-05168 | 02112-05168 | 02112-05168 | 02112-05168 | SCREW,speedometer cable(N | 1          |                 |         |          |



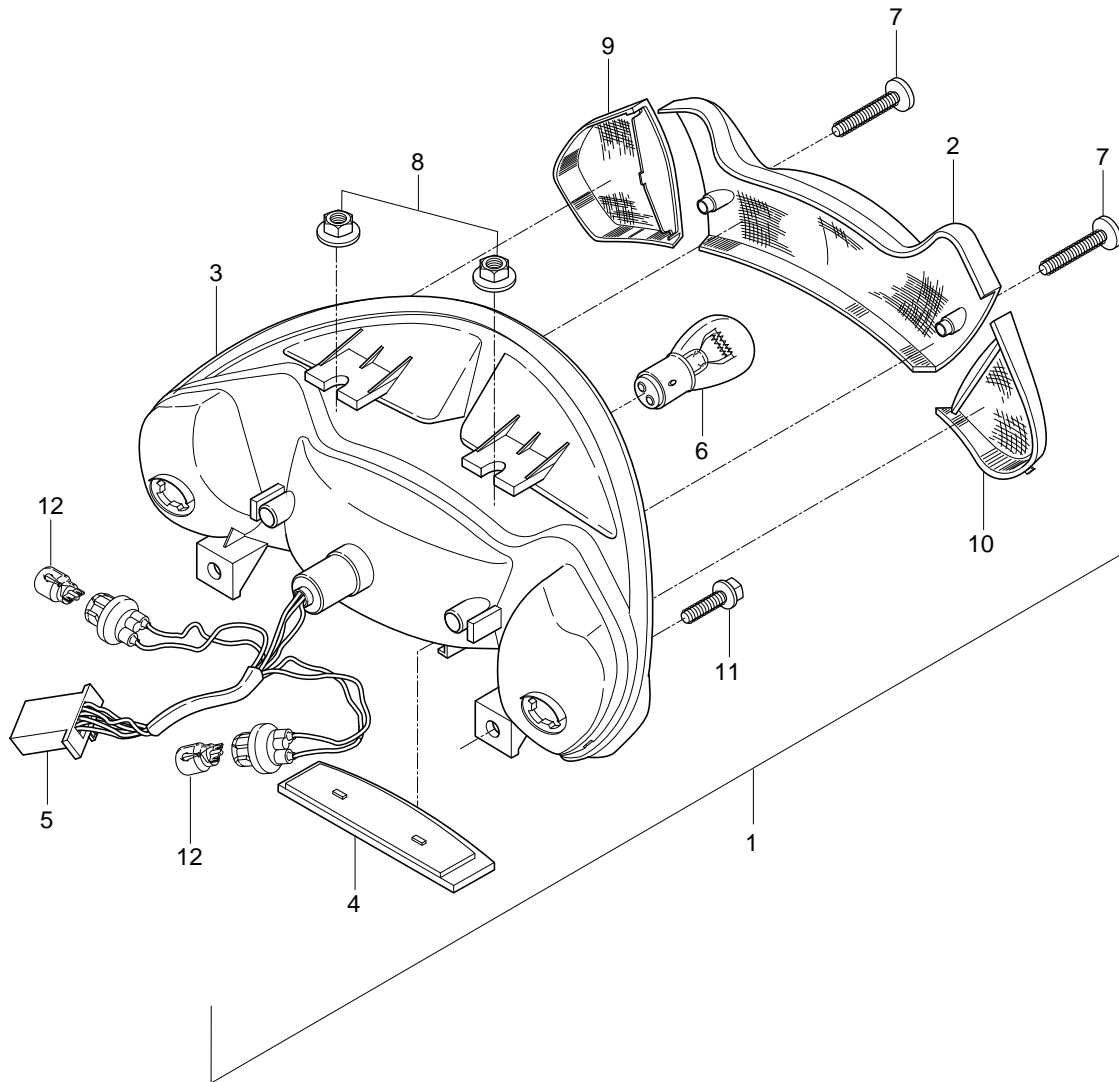
FIG 17



# FIG 17. HEAD LAMP

| REF. PARTS NO. |             |             |             | PARTS NAME  | Q`TY                    | REMARKS | REC.Q'TY<br>(PCS) |
|----------------|-------------|-------------|-------------|-------------|-------------------------|---------|-------------------|
| NO.            | DOMESTIC    | ST01        | KEN01       |             |                         |         |                   |
| 1              | 35100HE7100 | 35100HE7100 |             |             | HEAD LAMP ASSY          | 1       | 8                 |
| 1-1            |             |             | 35100HF7400 | 35100HF7400 | HEAD LAMP ASSY          |         |                   |
| 2              | 35110HE7100 | 35110HE7100 | 35110HE7100 | 35110HE7100 | HEAD LAMP,sub           | 1       |                   |
| 3              | 09471-12013 | 09471-12013 | 09471-12013 | 09471-12013 | BULB(18/18W)            | 2       | 20                |
| 4              | 35171H11A00 | 35171H11A00 | 35171H11A00 | 35171H11A00 | SOCKET                  | 2       |                   |
| 5              | 08322-21068 | 08322-21068 | 08322-21068 | 08322-21068 | WASHER,head lamp aiming | 1       |                   |
| 6              | 35128H11200 | 35128H11200 | 35128H11200 | 35128H11200 | WASHER,head lamp aiming | 1       |                   |
| 7              | 35151H11200 | 35151H11200 | 35151H11200 | 35151H11200 | BOLT,head lamp aiming   | 1       |                   |
| 8              | 35130HE7100 | 35130HE7100 |             |             | CORD COMP               | 1       |                   |
| 8-1            |             |             | 35130HF7400 | 35130HF7400 |                         |         |                   |

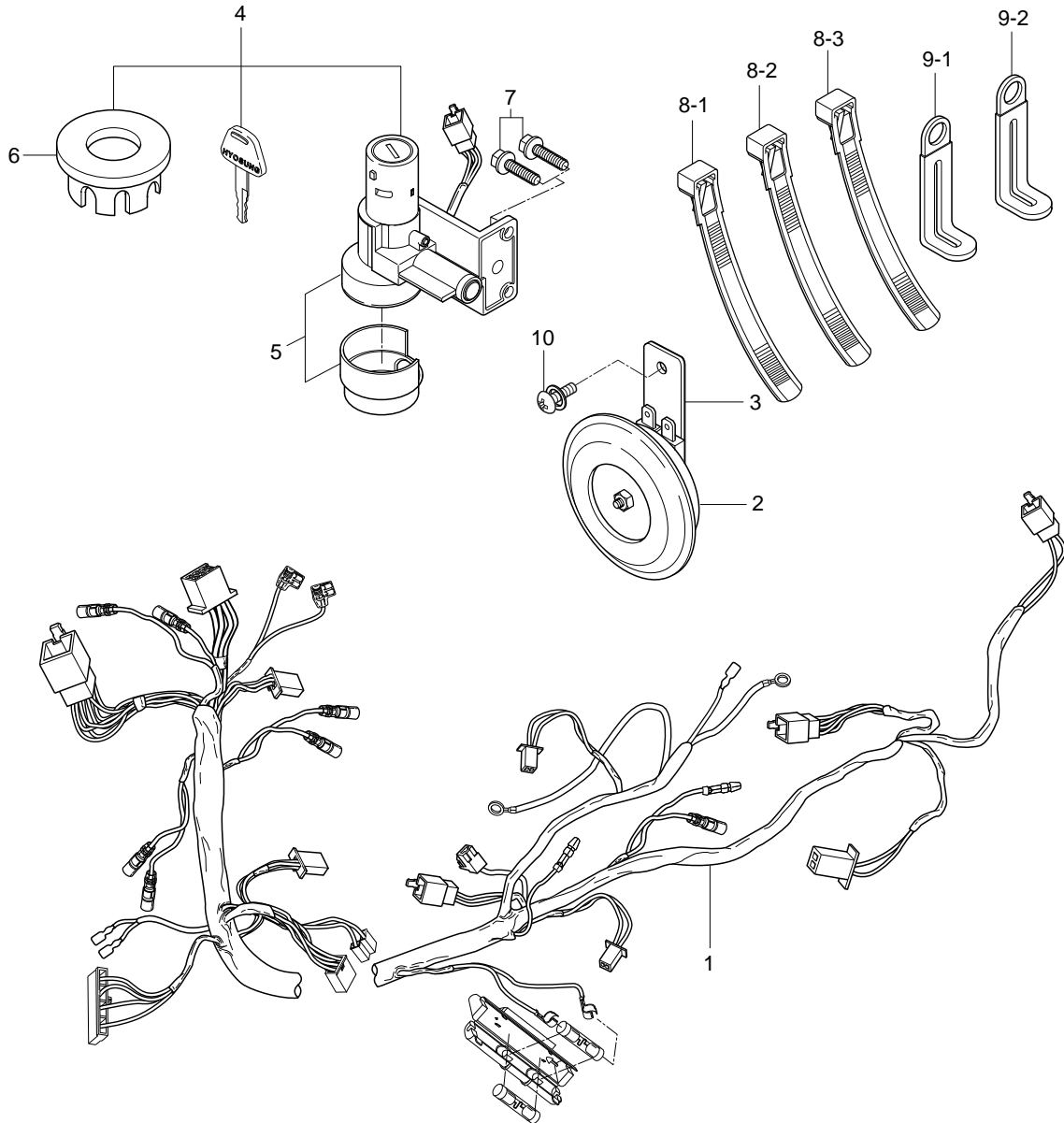
FIG 18



# FIG 18. REAR COMBINATION

| REF. PARTS NO. |             |             |             |             |                      | PARTS NAME | Q'TY | REMARKS | REC.Q'TY |
|----------------|-------------|-------------|-------------|-------------|----------------------|------------|------|---------|----------|
| NO.            | DOMESTIC    | ST01        | KEN01       | MAT01       |                      |            |      | (PCS)   |          |
| 1              | 35710HG7200 | 35710HG7200 |             |             | LAMP ASSY,rear combi | 1          |      |         |          |
| 1-1            |             |             | 35710HG7700 | 35710HG7700 | LAMP ASSY,rear combi |            |      | 4       |          |
| 2              | 35712HE7100 | 35712HE7100 | 35712HE7100 | 35712HE7100 | LENS,tail lamp       | 1          |      |         |          |
| 3              | 35713HE7100 | 35713HE7100 | 35713HE7100 | 35713HE7100 | HOUSING,tail lamp    | 1          |      |         |          |
| 4              | 35714HE7100 | 35714HE7100 | 35714HE7100 | 35714HE7100 | LENS,licence         | 1          |      |         |          |
| 5              | 35760HG7700 | 35760HG7700 | 35760HG7700 | 35760HG7700 | CORD COMP            | 1          |      |         |          |
| 6              | 09471-12047 | 09471-12047 | 09471-12047 | 09471-12047 | BULB(12V,21/5W)      | 1          |      |         |          |
| 7              | 03211-04206 | 03211-04206 | 03211-04206 | 03211-04206 | SCREW(M4*20)         | 2          |      |         |          |
| 8              | 08316-26066 | 08316-26066 | 08316-26066 | 08316-26066 | NUT,rear combi lamp  | 2          |      |         |          |
| 9              | 35652HG7700 | 35652HG7700 | 35652HG7700 | 35652HG7700 | LENS,T/signal rear R | 1          |      |         |          |
| 10             | 35672HG7700 | 35672HG7700 | 35672HG7700 | 35672HG7700 | LENS,T/signal rear L | 1          |      |         |          |
| 11             | 01517-06168 | 01517-06168 | 01517-06168 | 01517-06168 | BOLT,rear combi      | 2          |      |         |          |
| 12             | 09471-12114 | 09471-12114 | 09471-12114 | 09471-12114 | BULB(12V, 10W)       | 2          |      | 20      |          |

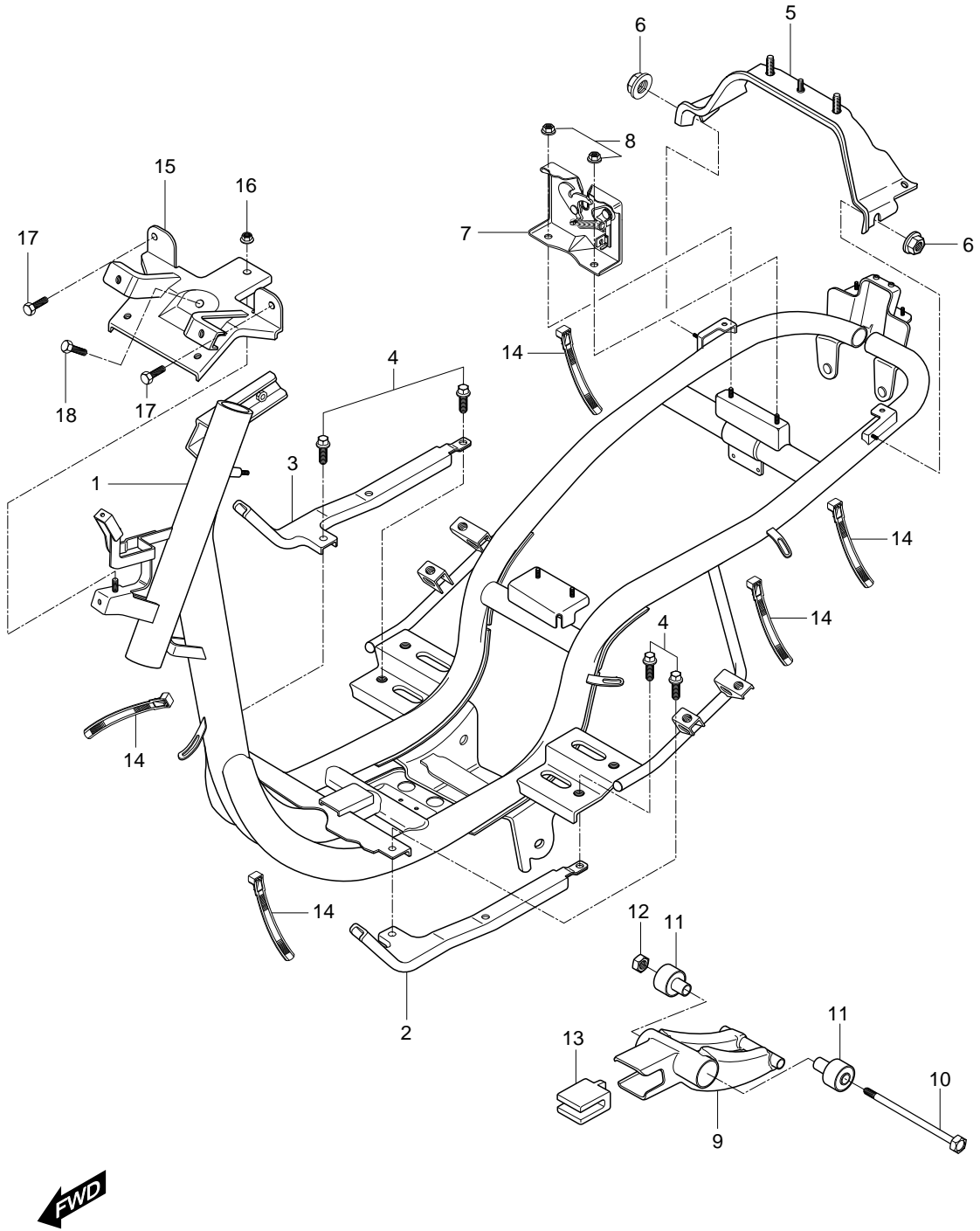
FIG 19



# FIG 19. WIRING HARNESS

| REF. PARTS NO. |             |             |             |             |                    | PARTS NAME | Q'TY            | REMARKS | REC.Q'TY |
|----------------|-------------|-------------|-------------|-------------|--------------------|------------|-----------------|---------|----------|
| NO.            | DOMESTIC    | ST01        | KEN01       | MAT01       |                    |            |                 | (PCS)   |          |
| 1              | 36610HG7201 | 36610HG7201 |             |             | HARNESS,wiring     | 1          |                 | 2       |          |
| 1-1            |             |             | 36610HG7250 |             | HARNESS,wiring     |            |                 |         |          |
| 1-2            |             |             |             | 36610HG7260 | HARNESS,wiring     |            |                 |         |          |
| 2              | 38500H09401 | 38500H09401 |             |             | HORN ASSY          | 1          |                 | 2       |          |
| 2-1            |             |             | 38500HG7700 | 38500HG7700 | HORN ASSY          |            |                 |         |          |
| 3              | 38520HE7100 | 38520HE7100 | 38520HE7100 | 38520HE7100 | BRACKET,horn       | 2          | <b>NOT SALE</b> |         |          |
| 4              | 37000HG7230 | 37000HG7230 | 37000HG7230 | 37000HG7230 | KEY SET            | 1          |                 | 4       |          |
| 5              | 37100HF7400 | 37100HF7400 | 37100HF7400 | 37100HF7400 | LOCK ASSY,steering | 1          | <b>NOT SALE</b> |         |          |
| 6              | 37155HJ6130 | 37155HJ6130 | 37155HJ6130 | 37155HJ6130 | CAP,steering lock  | 1          |                 |         |          |
| 7              | 09128-06026 | 09128-06026 | 09128-06026 | 09128-06026 | BOLT,steering lock | 2          |                 |         |          |
| 7-1            |             |             | 09139H06044 | 09139H06044 | BOLT,steering lock | 1          |                 |         |          |
| 8              | 09407-11401 | 09407-11401 | 09407-11401 | 09407-11401 | CLAMP              | 2          |                 |         |          |
| 9              | 09407-254A1 | 09407-254A1 | 09407-254A1 | 09407-254A1 | CLAMP              | 5          |                 |         |          |
| 10             | 09407-22402 | 09407-22402 | 09407-22402 | 09407-22402 | CLAMP              | 2          |                 |         |          |
| 11             | 09404-06404 | 09404-06404 | 09404-06404 | 09404-06404 | CLAMP              | 3          |                 |         |          |
| 12             | 09403-14404 | 09403-14404 | 09403-14404 | 09403-14404 | CLAMP              | 1          |                 |         |          |
| 13             | 02112-06126 | 02112-06126 | 02112-06126 | 02112-06126 | SCREW(M6*12)       | 1          |                 |         |          |

FIG 20

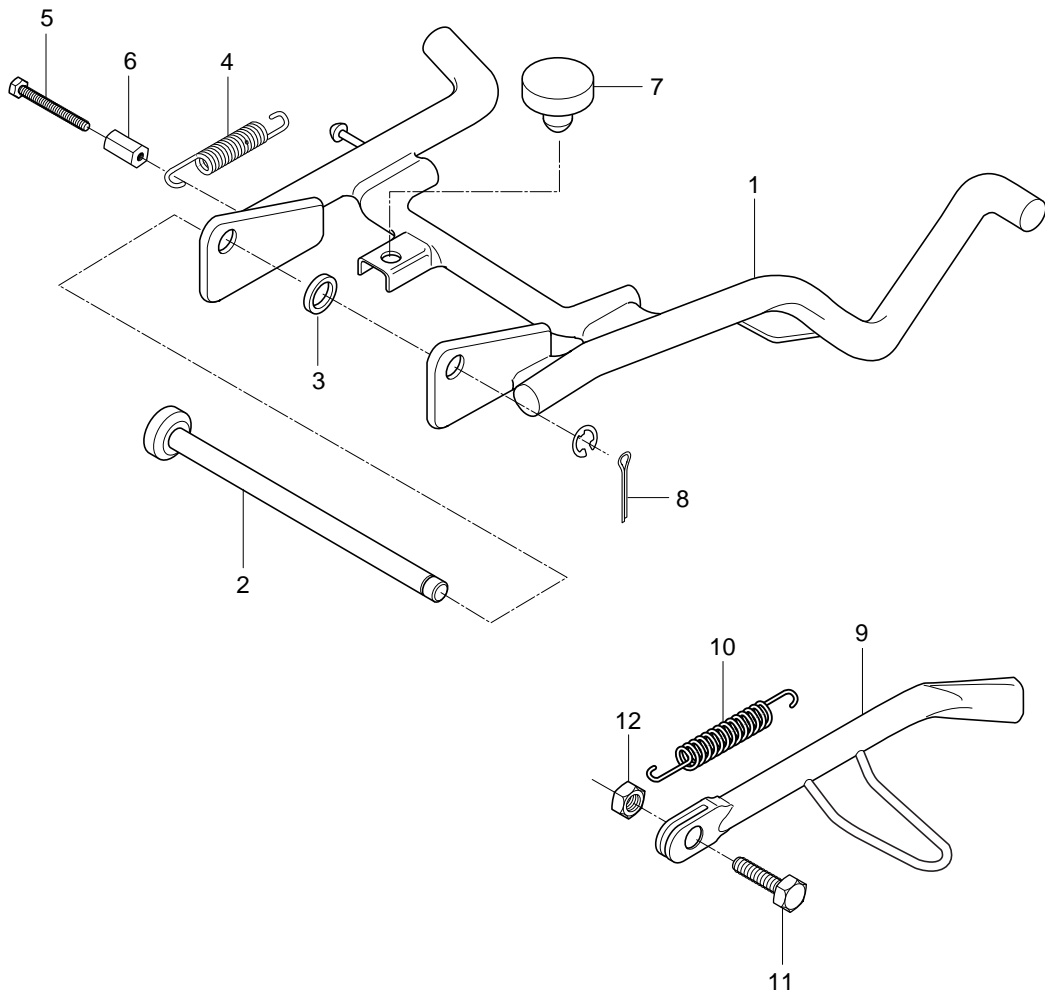


# FIG 20. FRAME

| REF. PARTS NO. |                |                |                |                |                               | PARTS NAME | Q'TY | REMARKS | REC.Q'TY |
|----------------|----------------|----------------|----------------|----------------|-------------------------------|------------|------|---------|----------|
| NO.            | DOMESTIC       | ST01           | KEN01          | MAT01          |                               |            |      | (PCS)   |          |
| 1              | 41100HG7203PAM | 41100HG7203PAM |                |                | FRAME COMP                    | 1          |      |         |          |
| 1-1            |                |                | 41100HG7251PAM | 41100HG7251PAM | FRAME COMP                    |            |      |         |          |
| 2              | 41520HG7200    | 41520HG7200    | 41520HG7200    | 41520HG7200    | PLATE,leg shield rear L       | 1          |      |         |          |
| 3              | 41510HG7200    | 41510HG7200    | 41510HG7200    | 41510HG7200    | PLATE,leg shield rear R       | 1          |      |         |          |
| 4              | 01517-06125    | 01517-06125    | 01517-06125    | 01517-06125    | BOLT,plate leg shield & fram  | 4          |      |         |          |
| 5              | 41170HE7100    | 41170HE7100    | 41170HE7100    | 41170HE7100    | PLATE COMP,rear carrier       | 1          |      |         |          |
| 6              | 08316-16068    | 08316-16068    | 08316-16068    | 08316-16068    | NUT,rear carrier plate & fram | 2          |      |         |          |
| 7              | 45220HE7100    | 45220HE7100    | 45220HE7100    | 45220HE7100    | LOCK,seat striker             | 1          |      |         |          |
| 8              | 08316-16068    | 08316-16068    | 08316-16068    | 08316-16068    | NUT,seat striker & frame(M6   | 2          |      |         |          |
| 9              | 41180HE7100HPA | 41180HE7100HPA | 41180HE7100HPA | 41180HE7100HPA | BRACKET COMP,crankcase        | 1          |      |         |          |
| 10             | 09103-12045    | 09103-12045    | 09103-12045    | 09103-12045    | BOLT,crankcase bracket        | 1          |      | 2       |          |
| 11             | 09319H12048    | 09319H12048    | 09319H12048    | 09319H12048    | BUSH,crankcase bracket        | 2          |      | 4       |          |
| 12             | 08319-31126    | 08319-31126    | 08319-31126    | 08319-31126    | NUT,crankcase bracket(M12)    | 1          |      |         |          |
| 13             | 41185-41D00    | 41185-41D00    | 41185-41D00    | 41185-41D00    | CUSHION,swing stop            | 1          |      |         |          |
| 14             | 09407-22402    | 09407-22402    | 09407-22402    | 09407-22402    | CLAMP                         | 5          |      |         |          |
| 15             | 48220HG7200    | 48220HG7200    | 48220HG7200    | 48220HG7200    | BRACKET COMP,leg shield       | 1          |      |         |          |
| 16             | 08316-16068    | 08316-16068    | 08316-16068    | 08316-16068    | NUT,cdi(m6)                   | 1          |      |         |          |
| 17             | 01517-06166    | 01517-06166    | 01517-06166    | 01517-06166    | BOLT,leg shield front lower t | 2          |      |         |          |
| 18             | 01517-06166    | 01517-06166    | 01517-06166    | 01517-06166    | BOLT,leg shield front lower t | 1          |      |         |          |



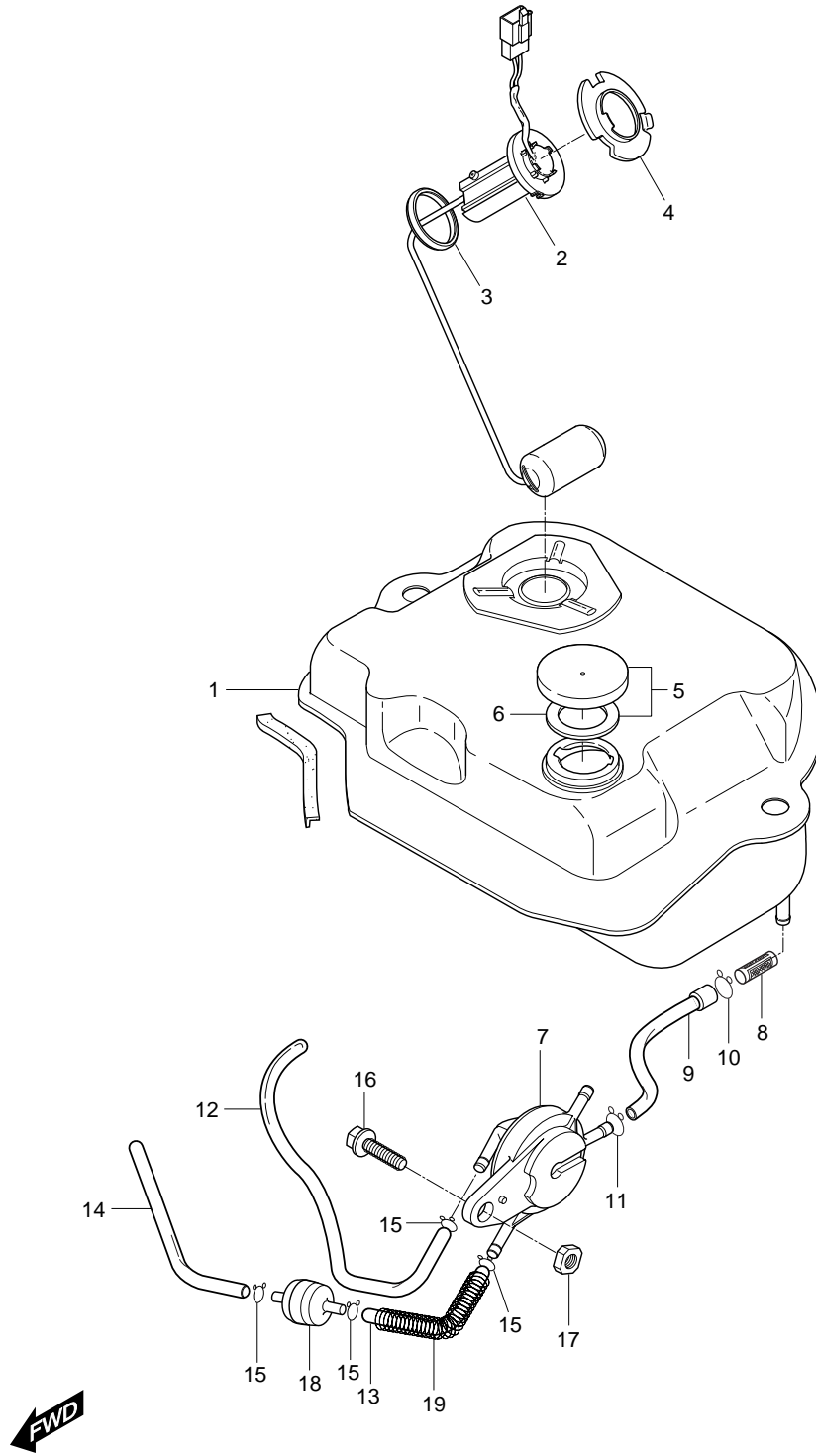
FIG 21



# FIG 21. STAND

| REF. PARTS NO. |             |             |             |             |                             | PARTS NAME | Q`TY | REMARKS | REC.Q'TY |
|----------------|-------------|-------------|-------------|-------------|-----------------------------|------------|------|---------|----------|
| NO.            | DOMESTIC    | ST01        | KEN01       | MAT01       |                             |            |      | (PCS)   |          |
| 1              | 42110HE7100 | 42110HE7100 | 42110HE7100 | 42110HE7100 | STAND COMP,center           | 1          |      | 2       |          |
| 2              | 42211-41D00 | 42211-41D00 | 42211-41D00 | 42211-41D00 | SHAFT,center stand          | 1          |      |         |          |
| 3              | 08322-11106 | 08322-11106 | 08322-11106 | 08322-11106 | WASHER,center stand         | 1          |      |         |          |
| 4              | 09443-15047 | 09443-15047 | 09443-15047 | 09443-15047 | SPRING,center stand         | 1          |      |         |          |
| 5              | 09100-06078 | 09100-06078 | 09100-06078 | 09100-06078 | BOLT,center stand spring    | 1          |      |         |          |
| 6              | 09140-06007 | 09140-06007 | 09140-06007 | 09140-06007 | NUT,center stand spring(M8) | 1          |      |         |          |
| 7              | 09321-10001 | 09321-10001 | 09321-10001 | 09321-10001 | CUSHION,center stand        | 2          |      |         |          |
| 8              | 04111-20208 | 04111-20208 | 04111-20208 | 04111-20208 | COTTER PIN,center stand     | 1          |      |         |          |
| 9              | 42310HG2651 | 42310HG2651 | 42310HG2651 | 42310HG2651 | STAND COMP,prop             | 1          |      | 2       |          |
| 10             | 09443-14036 | 09443-14036 | 09443-14036 | 09443-14036 | SPRING,prop stand           | 1          |      |         |          |
| 11             | 09100-10031 | 09100-10031 | 09100-10031 | 09100-10031 | BOLT,prop stand             | 1          |      |         |          |
| 12             | 08313-11107 | 08313-11107 | 08313-11107 | 08313-11107 | NUT,prop stand(M10)         | 1          |      |         |          |

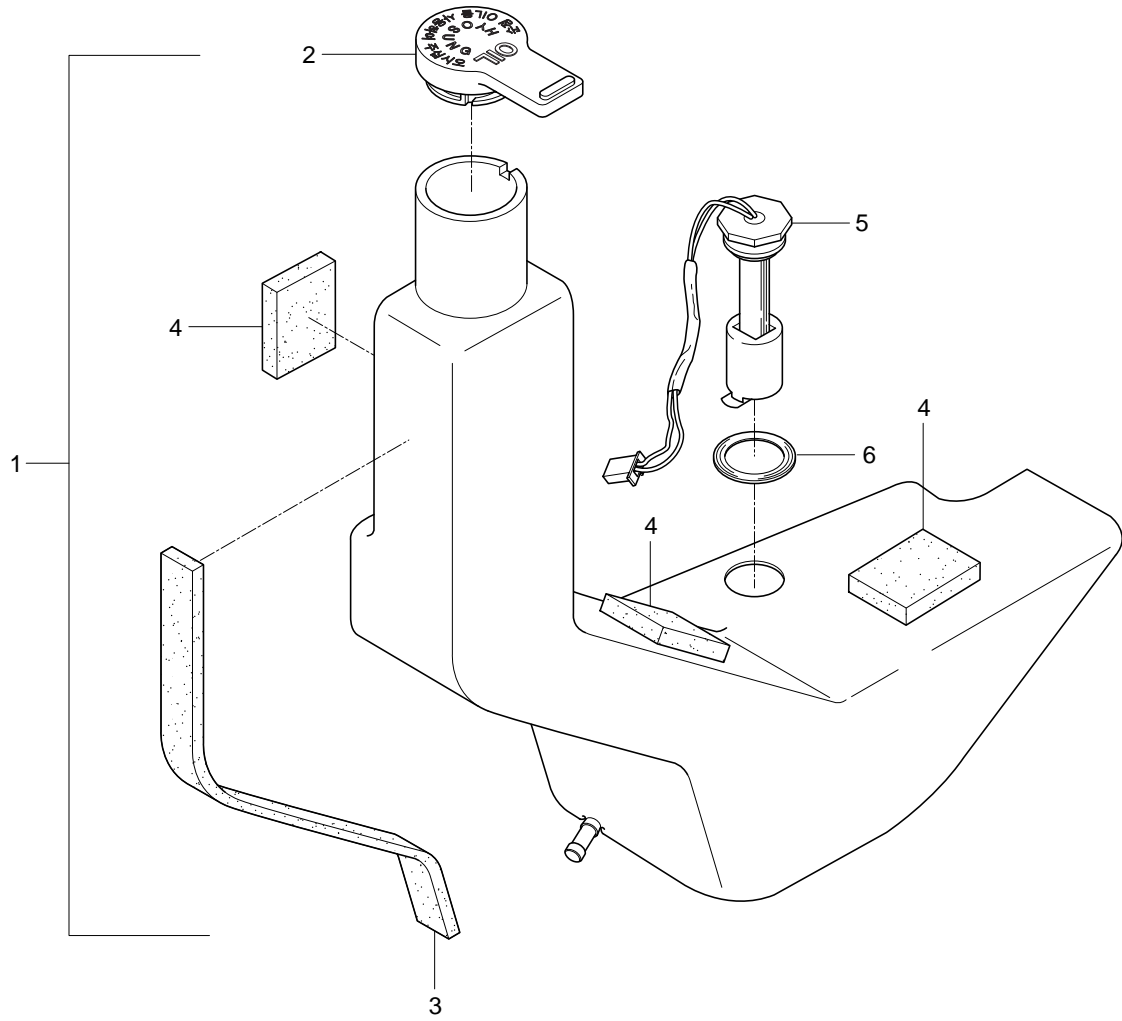
FIG 22



# FIG 22. FUEL TANK

| REF. PARTS NO. |                 |                 |                 |                 | PARTS NAME                  | Q'TY | REMARKS | REC.Q'TY<br>(PCS) |
|----------------|-----------------|-----------------|-----------------|-----------------|-----------------------------|------|---------|-------------------|
| NO.            | DOMESTIC        | ST01            | KEN01           | MAT01           |                             |      |         |                   |
| 1              | 44110HE7100PAM  | 44110HE7100PAM  | 44110HE7100PAM  | 44110HE7100PAM  | TANK COMP,fuel              | 1    |         | 2                 |
| 2              | 34810HE7100     | 34810HE7100     | 34810HE7100     | 34810HE7100     | GAUGE ASSY,fuel level sen   | 1    |         | 2                 |
| 3              | 34825HE7100     | 34825HE7100     | 34825HE7100     | 34825HE7100     | PACKING                     | 1    |         |                   |
| 4              | 34811HE7100     | 34811HE7100     | 34811HE7100     | 34811HE7100     | PLATE,fuel gauge            | 1    |         |                   |
| 5              | 44200HK2700     | 44200HK2700     | 44200HK2700     | 44200HK2700     | CAP COMP,fuel tank filler   | 1    |         | 2                 |
| 6              | 44248-35000     | 44248-35000     | 44248-35000     | 44248-35000     | GASKET,fuel tank filler cap | 1    |         |                   |
| 7              | 44300HE7100     | 44300HE7100     | 44300HE7100     | 44300HE7100     | COCK ASSY,fuel              | 1    |         | 2                 |
| 8              | 44322HE7100     | 44322HE7100     | 44322HE7100     | 44322HE7100     | FILTER,fuel tank            | 1    |         |                   |
| 9              | 44199HE7101     | 44199HE7101     | 44199HE7101     | 44199HE7101     | HOSE,inlet                  | 1    |         |                   |
| 10             | 09401-10401     | 09401-10401     | 09401-10401     | 09401-10401     | CLIP,inlet hose No.1        | 1    |         |                   |
| 11             | 09401H11401     | 09401H11401     | 09401H11401     | 09401H11401     | CLIP,inlet hose No.2        | 1    |         |                   |
| 12             | 09352-50823-360 | 09352-50823-360 | 09352-50823-360 | 09352-50823-360 | HOSE,vacuum                 | 1    |         |                   |
| 13             | 44197H11A01     | 44197H11A01     | 44197H11A01     | 44197H11A01     | HOSE,outlet No.1(L=220)     | 1    |         |                   |
| 14             | 44196HE7101     | 44196HE7101     | 44196HE7101     | 44196HE7101     | HOSE,outlet No.2(L=160)     | 1    |         |                   |
| 15             | 09401-08401     | 09401-08401     | 09401-08401     | 09401-08401     | CLIP,outlet hose            | 6    |         |                   |
| 16             | 01517-06208     | 01517-06208     | 01517-06208     | 01517-06208     | BOLT,fuel cock(M6*20)       | 1    |         |                   |
| 17             | 08316-16068     | 08316-16068     | 08316-16068     | 08316-16068     | NUT,fuel cock(M6)           | 1    |         |                   |
| 18             | 44910HG2600     | 44910HG2600     | 44910HG2600     | 44910HG2600     | STRAINER COMP,fuel          | 1    |         | 4                 |
| 19             | 09440-10009     | 09440-10009     | 09440-10009     | 09440-10009     | SPRING,outlet hose No.1 hos | 1    |         |                   |

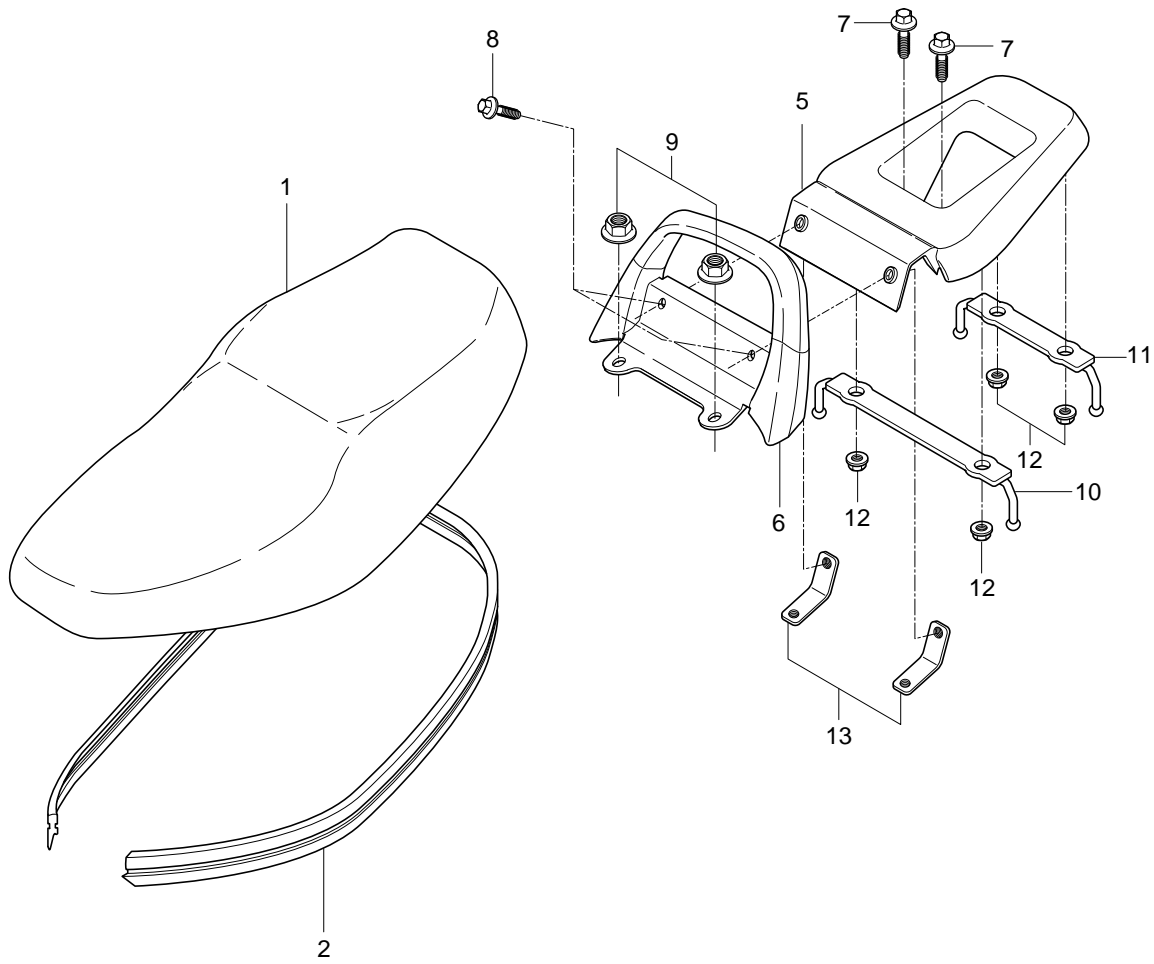
FIG 23



# FIG 23. OIL TANK

| REF. PARTS NO. |             |             |             |             | PARTS NAME              | Q`TY | REMARKS | REC.Q'TY<br>(PCS) |
|----------------|-------------|-------------|-------------|-------------|-------------------------|------|---------|-------------------|
| NO.            | DOMESTIC    | ST01        | KEN01       | MAT01       |                         |      |         |                   |
| 1              | 44611HG7200 | 44611HG7200 | 44611HG7200 | 44611HG7200 | TANK,oil                | 1    |         | 2.00              |
| 2              | 44651HG2600 | 44651HG2600 | 44651HG2600 | 44651HG2600 | CAP,oil tank filler     | 1    |         |                   |
| 3              | 44612HE7100 | 44612HE7100 | 44612HE7100 | 44612HE7100 | CUSHION,oil tank No.1   | 1    |         |                   |
| 4              | 44613HE7100 | 44613HE7100 | 44613HE7100 | 44613HE7100 | CUSHION,oil tank No.2   | 3    |         |                   |
| 5              | 37880-40D00 | 37880-40D00 | 37880-40D00 | 37880-40D00 | SWITCH ASSY,oil level   | 1    |         | 4                 |
| 6              | 44643-31000 | 44643-31000 | 44643-31000 | 44643-31000 | GASKET,oil level switch | 1    |         | 4                 |

FIG 24

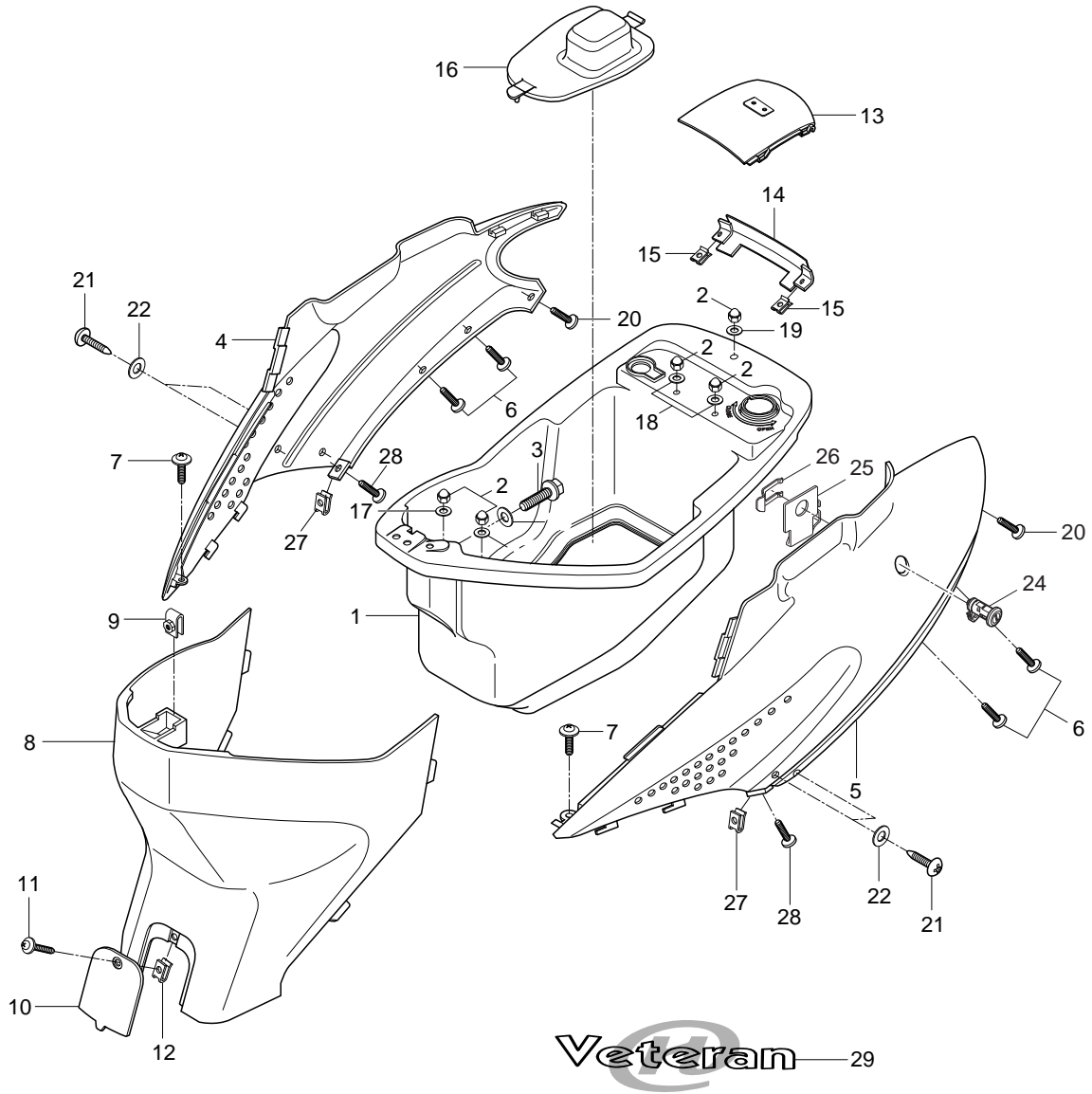


# FIG 24. SEAT

| REF. PARTS NO. |             |             |             |             |                              | PARTS NAME | Q'TY            | REMARKS | REC.Q'TY |
|----------------|-------------|-------------|-------------|-------------|------------------------------|------------|-----------------|---------|----------|
| NO.            | DOMESTIC    | ST01        | KEN01       | MAT01       |                              |            |                 | (PCS)   |          |
| 1              | 45100HG7200 | 45100HG7200 | 45100HG7200 | 45100HG7200 | SEAT SET                     | 1          |                 | 2       |          |
| 2              | 45211HE7100 | 45211HE7100 | 45211HE7100 | 45211HE7100 | MOLDING,seat                 | 1          | <b>NOT SALE</b> |         |          |
| 3              | 45215HE7100 | 45215HE7100 | 45215HE7100 | 45215HE7100 | BOLT                         | 1          |                 |         |          |
| 4              | 45285HE7100 | 45285HE7100 | 45285HE7100 | 45285HE7100 | BRACKET,seat support front   | 1          |                 |         |          |
| 5              | 46411HE7100 | 46411HE7100 | 46411HE7100 | 46411HE7100 | CARRIER COMP,rear            | 1          |                 | 4       |          |
| 6              | 46210HE7100 | 46210HE7100 | 46210HE7100 | 46210HE7100 | HANDLE COMP,pillion ride     | 1          |                 | 4       |          |
| 7              | 09111H06E06 | 09111H06E06 | 09111H06E06 | 09111H06E06 | BOLT,rear carrier            | 2          |                 |         |          |
| 8              | 09111H06E10 | 09111H06E10 | 09111H06E10 | 09111H06E10 | BOLT,handle pillion rider    | 2          |                 |         |          |
| 9              | 08316-16088 | 08316-16088 | 08316-16088 | 08316-16088 | NUT,handle pillion rider(M6) | 2          |                 |         |          |
| 10             | 46440HE7100 | 46440HE7100 | 46440HE7100 | 46440HE7100 | HOOK COMP,rear carrier Nc    | 1          |                 |         |          |
| 11             | 46450HE7100 | 46450HE7100 | 46450HE7100 | 46450HE7100 | HOOK COMP,rear carrier Nc    | 1          |                 |         |          |
| 12             | 08316-16068 | 08316-16068 | 08316-16068 | 08316-16068 | NUT,handle pillion rider(M6) | 4          |                 |         |          |
| 13             | 46430HE7100 | 46430HE7100 | 46430HE7100 | 46430HE7100 | BRACKET COMP,pillion rid     | 2          |                 |         |          |



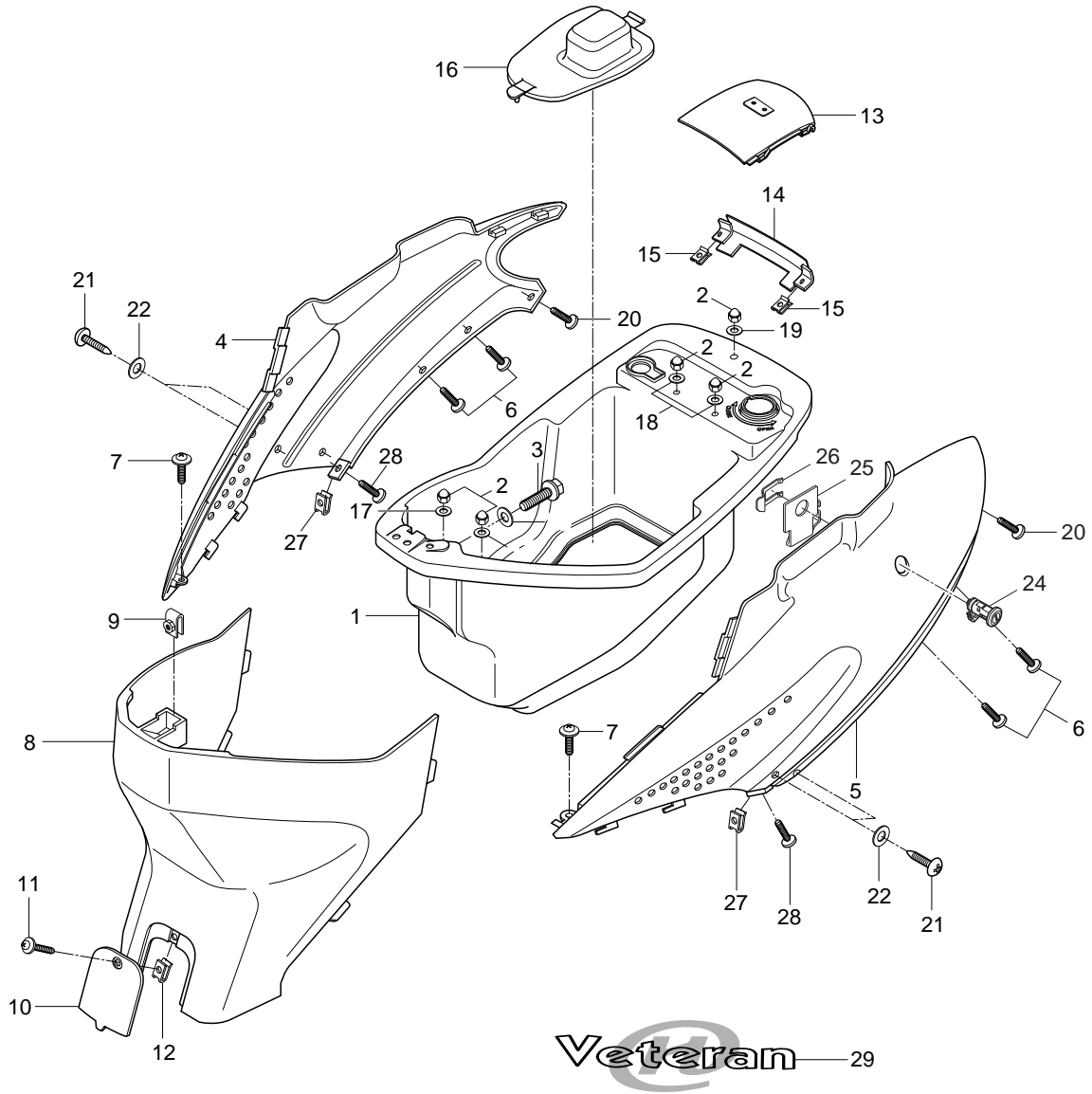
FIG 25



# FIG 25. SIDE COVER

| REF. PARTS NO. |             |             |             |             |                              | PARTS NAME | Q'TY     | REMARKS | REC.Q'TY |
|----------------|-------------|-------------|-------------|-------------|------------------------------|------------|----------|---------|----------|
| NO.            | DOMESTIC    | ST01        | KEN01       | MAT01       |                              |            |          | (PCS)   |          |
| 1              | 92311HG7200 | 92311HG7200 | 92311HG7200 | 92311HG7200 | BOX,helmet                   | 1          |          | 4       |          |
| 2              | 08313-11068 | 08313-11068 | 08313-11068 | 08313-11068 | NUT,helmet box(M6)           | 5          |          |         |          |
| 3              | 01517-06165 | 01517-06165 | 01517-06165 | 01517-06165 | BOLT,helmet box & cover fr   | 1          |          |         |          |
| 4              | 47111HG7200 | 47111HG7200 | 47111HG7200 | 47111HG7200 | COVER,side R(CPR,CSB)        | 1          |          | 20      |          |
| 5              | 47211HG7200 | 47211HG7200 | 47211HG7200 | 47211HG7200 | COVER,side L(CPR,CSB)        | 1          |          | 20      |          |
| 6              | 03241-05125 | 03241-05125 | 03241-05125 | 03241-05125 | SCREW,sider cover & rear fe  | 4          |          |         |          |
| 7              | 03241-05165 | 03241-05165 | 03241-05165 | 03241-05165 | SCREW,sider cover & leg rea  | 2          |          |         |          |
| 8              | 47131HG7200 | 47131HG7200 | 47131HG7200 | 47131HG7200 | COVER,front                  | 1          |          | 5       |          |
| 9              | 09148-06020 | 09148-06020 | 09148-06020 | 09148-06020 | NUT,cover front & helmet bo  | 1          |          |         |          |
| 10             | 41546HG7200 | 41546HG7200 | 41546HG7200 | 41546HG7200 | COVER,spark plug             | 1          |          | 5       |          |
| 11             | 03241-05125 | 03241-05125 | 03241-05125 | 03241-05125 | SCREW,spark plug cover & f   | 1          |          |         |          |
| 12             | 09148-05020 | 09148-05020 | 09148-05020 | 09148-05020 | NUT,cover front & spark plug | 1          |          |         |          |
| 13             | 47141HE7100 | 47141HE7100 | 47141HE7100 | 47141HE7100 | COVER,center(OPR,OSB)        | 1          |          | 5       |          |
| 14             | 47151HE7101 | 47151HE7101 | 47151HE7101 | 47151HE7101 | COVER,lower(OPR,OSB)         | 1          |          | 5       |          |
| 15             | 09148-05020 | 09148-05020 | 09148-05020 | 09148-05020 | NUT,cover front & spark plug | 2          |          |         |          |
| 16             | 92321HE7100 | 92321HE7100 | 92321HE7100 | 92321HE7100 | COVER,helmet box             | 1          |          | 2       |          |
| 17             | 09160-06019 | 09160-06019 | 09160-06019 | 09160-06019 | WASHER,helmet box front      | 2          |          |         |          |
| 18             | 09160-06004 | 09160-06004 | 09160-06004 | 09160-06004 | WASHER,helmet box center     | 2          |          |         |          |
| 19             | 09160-06019 | 09160-06019 | 09160-06019 | 09160-06019 | WASHER,helmet box rear       | 1          |          |         |          |
| 20             | 03241-05125 | 03241-05125 | 03241-05125 | 03241-05125 | SCREW,side cover & cover l   | 2          |          |         |          |
| 21             | 03241-05125 | 03241-05125 | 03241-05125 | 03241-05125 | SCREW,side cover & leg side  | 4          |          |         |          |
| 22             | 09160-06016 | 09160-06016 | 09160-06016 | 09160-06016 | WASHER,side cover & leg si   | 4          | NOT SALE |         |          |
| 23             | 09160-06004 | 09160-06004 | 09160-06004 | 09160-06004 | WASHER,helmet box & cove     | 1          |          |         |          |
| 24             | 45700HG2610 | 45700HG2610 | 45700HG2610 | 45700HG2610 | LOCK ASSY,seat               | 1          |          |         |          |
| 25             | 45381HG2601 | 45381HG2601 | 45381HG2601 | 45381HG2601 | GUIDE,seat lock cable        | 1          |          |         |          |
| 26             | 92414HF4500 | 92414HF4500 | 92414HF4500 | 92414HF4500 | LOCK,key set                 | 1          |          |         |          |

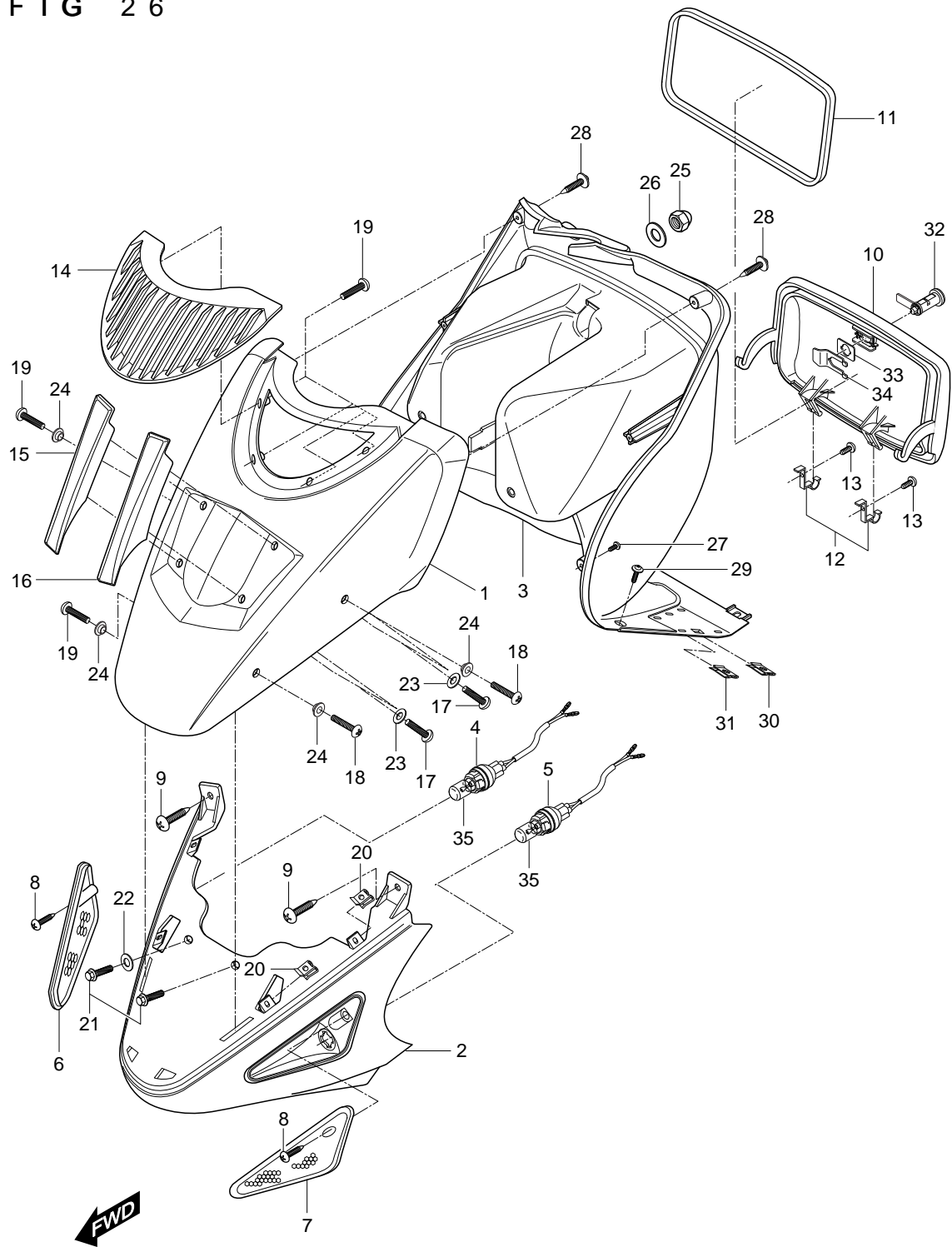
FIG 25



# FIG 25. SIDE COVER

| REF. PARTS NO. |             |             |                |                | PARTS NAME                 | Q'TY | REMARKS | REC.Q'TY |
|----------------|-------------|-------------|----------------|----------------|----------------------------|------|---------|----------|
| NO.            | DOMESTIC    | ST01        | KEN01          | MAT01          |                            |      |         | (PCS)    |
| 27             | 09148-05020 | 09148-05020 | 09148-05020    | 09148-05020    | NUT                        | 2    |         |          |
| 28             | 03241-05125 | 03241-05125 | 03241-05125    | 03241-05125    | SCREW,side cove & rear fen | 2    |         |          |
| 29             | 68130HG7200 | 68130HG7200 |                |                | TAPE,side cover            | 2    |         |          |
| 29-1           |             |             | 68134HE73000JJ | 68134HE73000JJ | TAPE, side cover R(PR)     | 1    |         |          |
| 29-2           |             |             | 68134HE73000LG | 68134HE73000LG | TAPE, side cover R(SB)     | 1    |         |          |
| 29-3           |             |             | 68136HE73000JJ | 68136HE73000JJ | TAPE, side cover L(PR)     | 1    |         |          |
| 29-4           |             |             | 68136HE73000LG | 68136HE73000LG | TAPE, side cover L(SB)     | 1    |         |          |

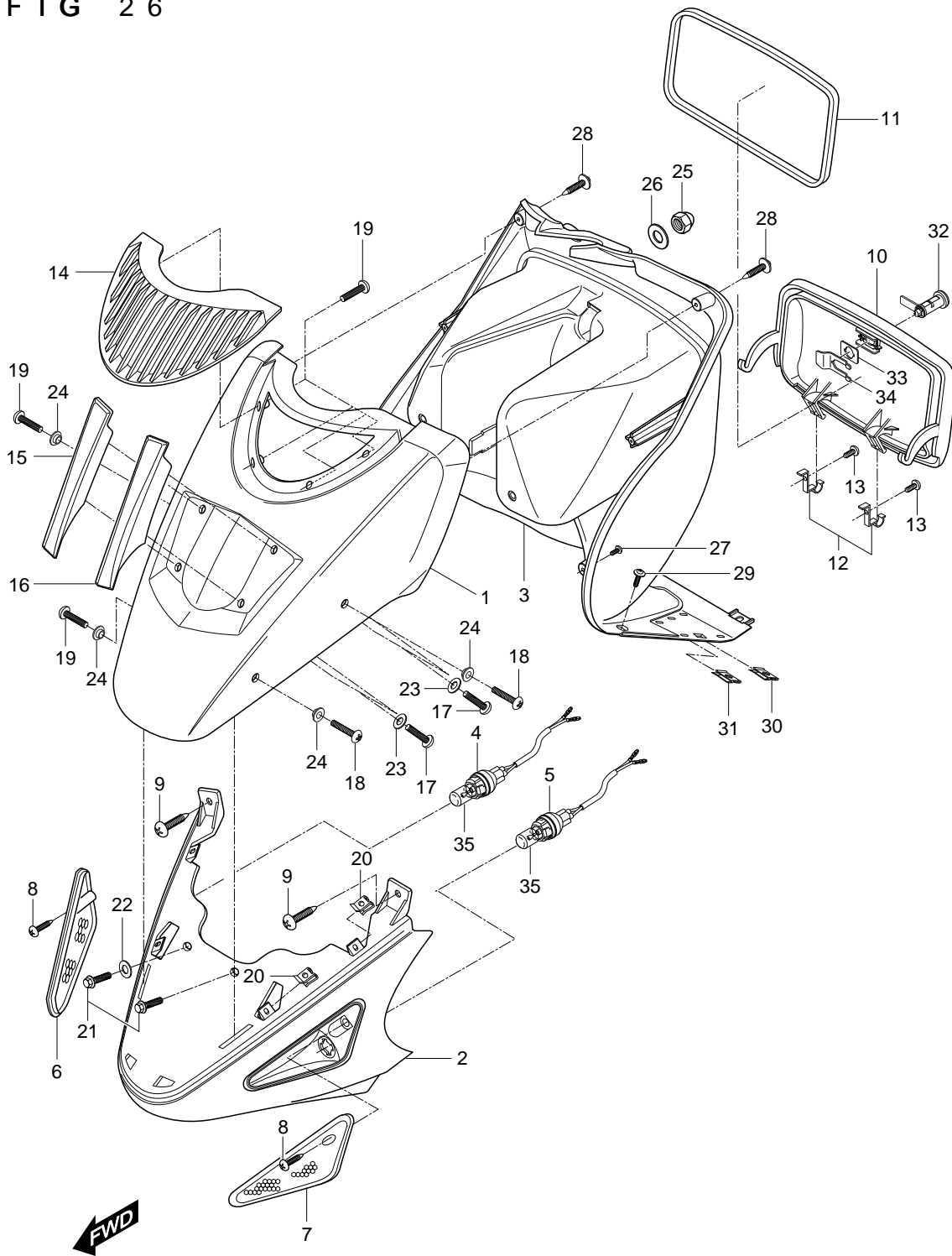
FIG 26



# FIG 26. FRONT LEG SHIELD

| REF. PARTS NO. |                |                |                |                |                               | PARTS NAME | Q'TY | REMARKS | REC.Q'TY |
|----------------|----------------|----------------|----------------|----------------|-------------------------------|------------|------|---------|----------|
| NO.            | DOMESTIC       | ST01           | KEN01          | MAT01          |                               |            |      | (PCS)   |          |
| 1              | 48111HG7200    | 48111HG7200    | 48111HG7200    | 48111HG7200    | LEG SHIELD,front upper(CP     | 1          |      | 20      |          |
| 2              | 48211HG7200    | 48211HG7200    | 48211HG7200    | 48211HG7200    | LEG SHIELD,front lower(CP     | 1          |      | 20      |          |
| 3              | 92111HG7200    | 92111HG7200    | 92111HG7200    | 92111HG7200    | COVER,leg shield              | 1          |      | 10      |          |
| 4              | 35618HE7100    | 35618HE7100    | 35618HE7100    |                | SOCKET ASSY,front turnsig     | 1          |      |         |          |
| 4-1            |                |                |                | 35623HF7400    | WIRE FT T/SIG R               |            |      |         |          |
| 5              | 35638HE7100    | 35638HE7100    | 35638HE7100    |                | SOCKET ASSY,front turnsig     | 1          |      |         |          |
| 5-1            |                |                |                | 35643HF7400    | WIRE FT T/SIG L               |            |      |         |          |
| 6              | 35612HE7101    | 35612HE7101    | 35612HE7101    |                | LENS,front turnsignal R       | 1          |      | 20      |          |
| 7              | 35632HE7101    | 35632HE7101    | 35632HE7101    |                | LENS,front turnsignal L       | 1          |      | 20      |          |
| 8              | 03211-04165    | 03211-04165    | 03211-04165    | 03211-04165    | SCREW,front turnsignal lenst  | 2          |      |         |          |
| 9              | 03241-05125    | 03241-05125    | 03241-05125    | 03241-05125    | SCREW,leg shield front lowe   | 2          |      |         |          |
| 10             | 92211HG7200    | 92211HG7200    | 92211HG7200    | 92211HG7200    | COVER,trunk box               | 1          |      |         |          |
| 11             | 92116HE7100    | 92116HE7100    | 92116HE7100    | 92116HE7100    | SEAL,trunk box                | 1          |      |         |          |
| 12             | 92115HE7100    | 92115HE7100    | 92115HE7100    | 92115HE7100    | PLATE,trunk box               | 2          |      | 20      |          |
| 13             | 03241-05125    | 03241-05125    | 03241-05125    | 03241-05125    | SCREW,trunk box plate(M5*     | 2          |      |         |          |
| 14             | 48311HG72000S3 | 48311HG72000S3 | 48311HG72000S3 | 48311HG72000S3 | SHIELD,leg front upper No.1   | 1          |      |         |          |
| 15             | 48151HG72000CR | 48151HG72000CR | 48151HG72000CR | 48151HG72000CR | DECORATION,leg shield fro     | 1          |      |         |          |
| 16             | 48152HG72000CR | 48152HG72000CR | 48152HG72000CR | 48152HG72000CR | DECORATION,leg shield fro     | 1          |      |         |          |
| 17             | 03241-05166    | 03241-05166    | 03241-05166    | 03241-05166    | SCREW,leg shield front uppe   | 4          |      |         |          |
| 18             | 03241-05206    | 03241-05206    | 03241-05206    | 03241-05206    | SCREW,leg shield front uppe   | 4          |      |         |          |
| 19             | 03241-05126    | 03241-05126    | 03241-05126    | 03241-05126    | SCREW,leg shield front uppe   | 4          |      |         |          |
| 20             | 09148-05020    | 09148-05020    | 09148-05020    | 09148-05020    | NUT,leg shield front upper &  | 4          |      |         |          |
| 21             | 01517-06206    | 01517-06206    | 01517-06206    | 01517-06206    | BOLT,leg shield front lower & | 2          |      |         |          |
| 22             | 09169-06034    | 09169-06034    | 09169-06034    | 09169-06034    | WASHER,leg shield front lov   | 1          |      |         |          |
| 23             | 09160-05016    | 09160-05016    | 09160-05016    | 09160-05016    | WASHER,leg shield front upj   | 4          |      |         |          |
| 24             | 09169-06034    | 09169-06034    | 09169-06034    | 09169-06034    | WASHER,leg shield front upj   | 4          |      |         |          |

FIG 26

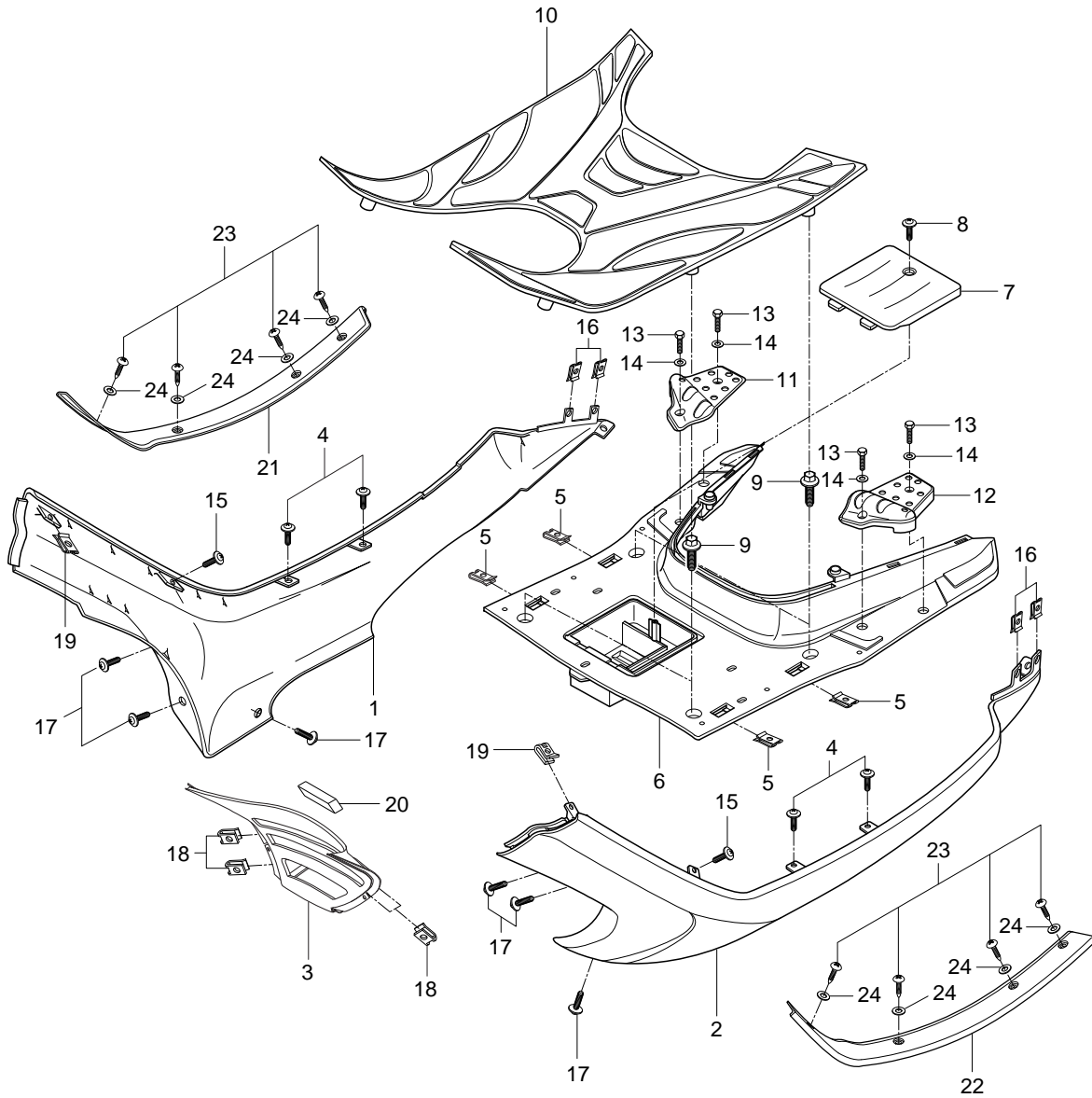


# FIG 26. FRONT LEG SHIELD

| REF. PARTS NO. |             |             |             |             | PARTS NAME                  | Q'TY | REMARKS | REC.Q'TY<br>(PCS) |
|----------------|-------------|-------------|-------------|-------------|-----------------------------|------|---------|-------------------|
| NO.            | DOMESTIC    | ST01        | KEN01       | MAT01       |                             |      |         |                   |
| 25             | 08313-11068 | 08313-11068 | 08313-11068 | 08313-11068 | NUT,cover leg shield(M6)    | 1    |         |                   |
| 26             | 09160-06019 | 09160-06019 | 09160-06019 | 09160-06019 | WASHER,cover leg shield     | 1    |         |                   |
| 27             | 03241-05125 | 03241-05125 | 03241-05125 | 03241-05125 | SCREW,cover leg & leg front | 2    |         |                   |
| 28             | 03241-05256 | 03241-05256 | 03241-05256 | 03241-05256 | SCREW,cover leg & leg front | 2    |         |                   |
| 29             | 03241-05125 | 03241-05125 | 03241-05125 | 03241-05125 | SCREW,cover leg & leg side  | 2    |         |                   |
| 30             | 09148-05020 | 09148-05020 | 09148-05020 | 09148-05020 | NUT,leg shield side & cover | 2    |         |                   |
| 31             | 09148-05020 | 09148-05020 | 09148-05020 | 09148-05020 | NUT,molding & leg shield re | 2    |         |                   |
| 32             | 44200HF4500 | 44200HF4500 | 44200HF4500 | 44200HF4500 | LOCK ASSY,trunk             | 1    |         |                   |
| 33             | 92413HF4501 | 92413HF4501 | 92413HF4501 | 92413HF4501 | WASHER,trunk                | 1    |         |                   |
| 34             | 92414HF4500 | 92414HF4500 | 92414HF4500 | 92414HF4500 | LOCK,key set                | 1    |         |                   |
| 35             | 09471-12142 | 09471-12142 | 09471-12142 | 09471-12142 | BULB,front turnsignal(R10W  | 2    |         |                   |



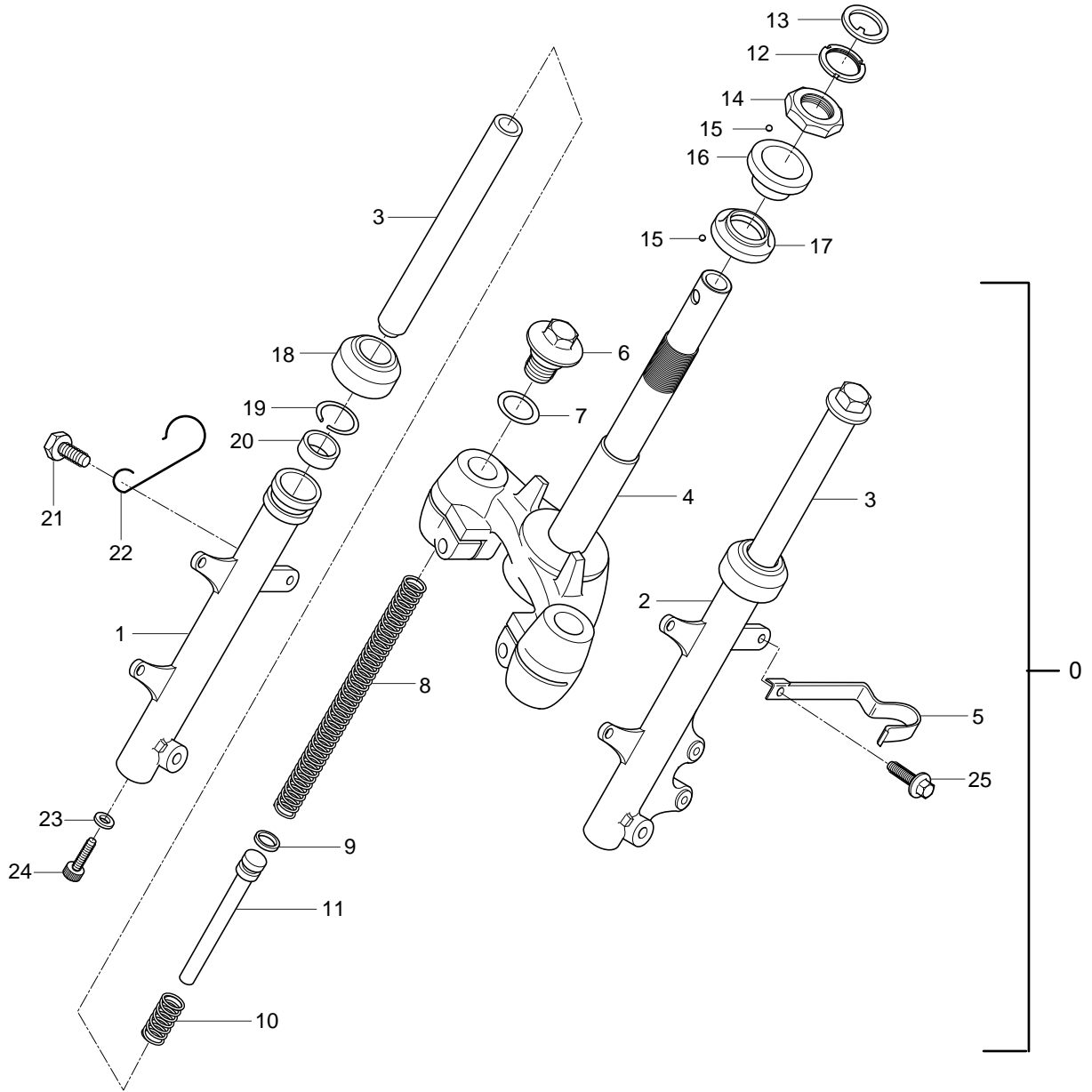
FIG 27



# FIG 27. REAR LEG SHIELD

| REF. PARTS NO. |                |                |                |                |                              | PARTS NAME | Q'TY | REMARKS | REC.Q'TY |
|----------------|----------------|----------------|----------------|----------------|------------------------------|------------|------|---------|----------|
| NO.            | DOMESTIC       | ST01           | KEN01          | MAT01          |                              |            |      | (PCS)   |          |
| 1              | 48285HG72000S3 | 48285HG72000S3 | 48285HG72000S3 | 48285HG72000S3 | SHIELD,leg side R            | 1          |      | 20      |          |
| 2              | 48286HG72010S3 | 48286HG72010S3 | 48286HG72010S3 | 48286HG72010S3 | SHIELD,leg side L            | 1          |      | 20      |          |
| 3              | 48137HE71000S3 | 48137HE71000S3 | 48137HE71000S3 | 48137HE71000S3 | SHIELD,leg lower             | 1          |      | 20      |          |
| 4              | 03241-05125    | 03241-05125    | 03241-05125    | 03241-05125    | SCREW,leg shield side & rea  | 4          |      |         |          |
| 5              | 09148-05020    | 09148-05020    | 09148-05020    | 09148-05020    | NUT,leg shield side & rear(M | 4          |      |         |          |
| 6              | 48121HG7200    | 48121HG7200    | 48121HG7200    | 48121HG7200    | SHIELD,leg rear              | 1          |      | 10      |          |
| 7              | 41542HE7100    | 41542HE7100    | 41542HE7100    | 41542HE7100    | COVER, battery               | 1          |      | 10      |          |
| 8              | 03241-05125    | 03241-05125    | 03241-05125    | 03241-05125    | SCREW,battery cover & leg r  | 1          |      |         |          |
| 9              | 01517-06165    | 01517-06165    | 01517-06165    | 01517-06165    | BOLT,leg shield rear(M6*16)  | 4          |      |         |          |
| 10             | 48131HG7200    | 48131HG7200    | 48131HG7200    | 48131HG7200    | MAT,floor                    | 1          | 개발품  | 10      |          |
| 11             | 43611HG7200    | 43611HG7200    | 43611HG7200    | 43611HG7200    | FOOTREST,pillion R           | 1          |      |         |          |
| 12             | 43621HG7200    | 43621HG7200    | 43621HG7200    | 43621HG7200    | FOOTREST,pillion L           | 1          |      |         |          |
| 13             | 07110-06256    | 07110-06256    | 07110-06256    | 07110-06256    | BOLT,pillion footrest(M6*25  | 4          |      |         |          |
| 14             | 08322-21068    | 08322-21068    | 08322-21068    | 08322-21068    | WASHER,pillion footrest      | 4          |      |         |          |
| 15             | 03241-05125    | 03241-05125    | 03241-05125    | 03241-05125    | SCREW,cover leg & leg side(  | 2          |      |         |          |
| 16             | 09148-05020    | 09148-05020    | 09148-05020    | 09148-05020    | NUT,side cover & leg side(M  | 4          |      |         |          |
| 17             | 03241-05125    | 03241-05125    | 03241-05125    | 03241-05125    | SCREW,leg shield lower & si  | 6          |      |         |          |
| 18             | 09148-05020    | 09148-05020    | 09148-05020    | 09148-05020    | NUT,leg shield lower & side( | 6          |      |         |          |
| 19             | 09148-05020    | 09148-05020    | 09148-05020    | 09148-05020    | NUT,leg shield side & cover( | 2          |      |         |          |
| 20             | 45519H93B00    | 45519H93B00    | 45519H93B00    | 45519H93B00    | CUSHION,leg shield lower     | 1          |      |         |          |
| 21             | 48125HG7200    | 48125HG7200    | 48125HG7200    | 48125HG7200    | MOLDING,mat floor R          | 1          |      |         |          |
| 22             | 48126HG7200    | 48126HG7200    | 48126HG7200    | 48126HG7200    | MOLDING,mat floor L          | 1          |      |         |          |
| 23             | 03241-05206    | 03241-05206    | 03241-05206    | 03241-05206    | SCREW,molding & leg shield   | 8          |      |         |          |
| 24             | 09160-05016    | 09160-05016    | 09160-05016    | 09160-05016    | WASHER,molding & leg shield  | 8          |      |         |          |

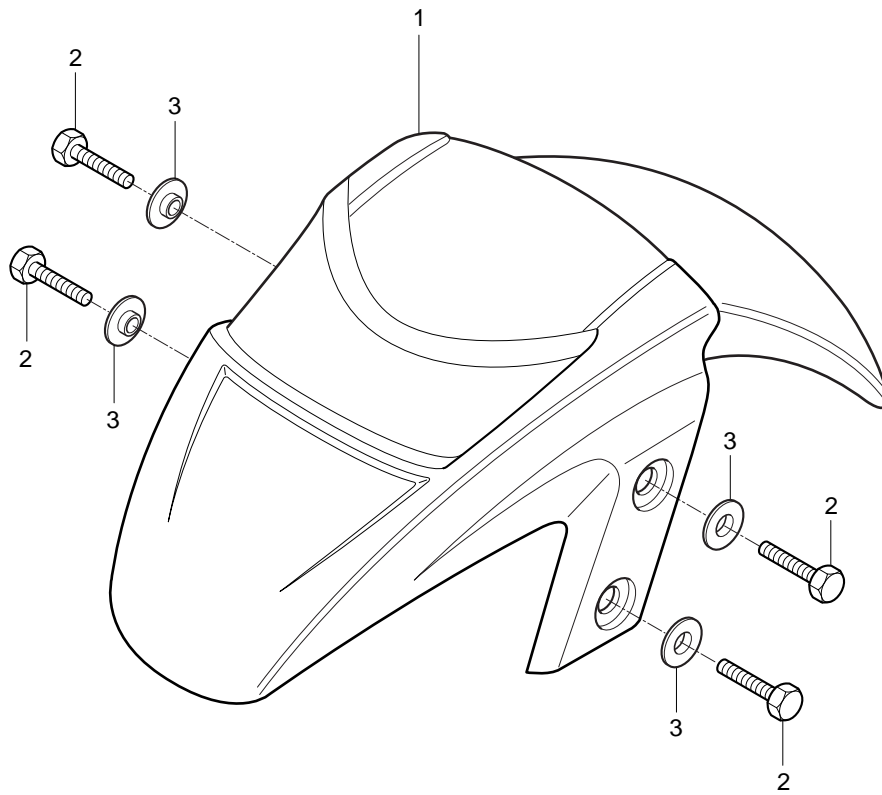
FIG 28



# FIG 28. FRONT FORK

| REF. PARTS NO. |                |                |                |                |   | PARTS NAME | Q'TY     | REMARKS | REC.Q'TY |
|----------------|----------------|----------------|----------------|----------------|---|------------|----------|---------|----------|
| NO.            | DOMESTIC       | ST01           | KEN01          | MAT01          |   |            |          | (PCS)   |          |
| 0              | 51100HG7200HPA | 51100HG7200HPA | 51100HG7200HPA | 51100HG7200HPA | FORK ASSY,front                         | 1          | 개발품      | 6       |          |
| 1              | 51210HG7200    | 51210HG7200    | 51210HG7200    | 51210HG7200    | PIPE ASS'Y,front fork R                 | 1          |          |         |          |
| 2              | 51220HG7200    | 51220HG7200    | 51220HG7200    | 51220HG7200    | PIPE ASS'Y,front fork L                 | 1          |          |         |          |
| 3              | 51111HE7100    | 51111HE7100    | 51111HE7100    | 51111HE7100    | PIPE,fork inner                         | 2          |          |         |          |
| 4              | 51400HE7100    | 51400HE7100    | 51400HE7100    | 51400HE7100    | BRACKET, under                          | 1          |          |         |          |
| 5              | 59268H11A00    | 59268H11A00    | 59268H11A00    | 59268H11A00    | CLAMP.brake hose                        | 1          |          |         |          |
| 6              | 51351H11A00    | 51351H11A00    | 51351H11A00    | 51351H11A00    | BOLT,fork pipe                          | 2          |          |         |          |
| 7              | 51181H11A00    | 51181H11A00    | 51181H11A00    | 51181H11A00    | O-RING                                  | 2          |          |         |          |
| 8              | 51171H11A00    | 51171H11A00    | 51171H11A00    | 51171H11A00    | SPRING                                  | 2          | NOT SALE |         |          |
| 9              | 51196H11A00    | 51196H11A00    | 51196H11A00    | 51196H11A00    | PISTON RING                             | 2          | NOT SALE |         |          |
| 10             | 51177H11A00    | 51177H11A00    | 51177H11A00    | 51177H11A00    | SPRING,rebound                          | 2          | NOT SALE |         |          |
| 11             | 51146H11A00    | 51146H11A00    | 51146H11A00    | 51146H11A00    | PIPE SEAT                               | 2          | NOT SALE |         |          |
| 12             | 51632-02400    | 51632-02400    | 51632-02400    | 51632-02400    | NUT,stem lock                           | 1          |          |         |          |
| 13             | 09166-26001    | 09166-26001    | 09166-26001    | 09166-26001    | WASHER                                  | 1          |          |         |          |
| 14             | 51621HE7100    | 51621HE7100    | 51621HE7100    | 51621HE7100    | RACE,steering outer upper               | 1          |          | 5       |          |
| 15             | 06111-05004    | 06111-05004    | 06111-05004    | 06111-05004    | BALL,race steering                      | 55         |          | 275     |          |
| 16             | 51611-16A00    | 51611-16A00    | 51611-16A00    | 51611-16A00    | RACE,steering inner upper               | 1          |          | 5       |          |
| 17             | 51612-16B00    | 51612-16B00    | 51612-16B00    | 51612-16B00    | RACE,steering inner lower               | 1          |          | 5       |          |
| 18             | 51173H11A00    | 51173H11A00    | 51173H11A00    | 51173H11A00    | DUST,boot                               | 2          |          |         |          |
| 19             | 51156H11A00    | 51156H11A00    | 51156H11A00    | 51156H11A00    | STOPPER RING,oil seal                   | 2          |          |         |          |
| 20             | 51153H11A00    | 51153H11A00    | 51153H11A00    | 51153H11A00    | OIL SEAL                                | 2          |          | 5       |          |
| 21             | 01174-06168    | 01174-06168    | 01174-06168    | 01174-06168    | BOLT,speedometer cable gui              | 1          |          |         |          |
| 22             | 51418H11A00    | 51418H11A00    | 51418H11A00    | 51418H11A00    | GUIDE,speedometer cable                 | 1          |          |         |          |
| 23             | 51148H11A00    | 51148H11A00    | 51148H11A00    | 51148H11A00    | WASHER,socket                           | 2          |          |         |          |
| 24             | 51147H11A00    | 51147H11A00    | 51147H11A00    | 51147H11A00    | BOLT,socket                             | 2          |          |         |          |
| 25             | 01174-06168    | 01174-06168    | 01174-06168    | 01174-06168    | BOLT,brake hose clamp(M6 <sup>3</sup> ) | 1          |          |         |          |

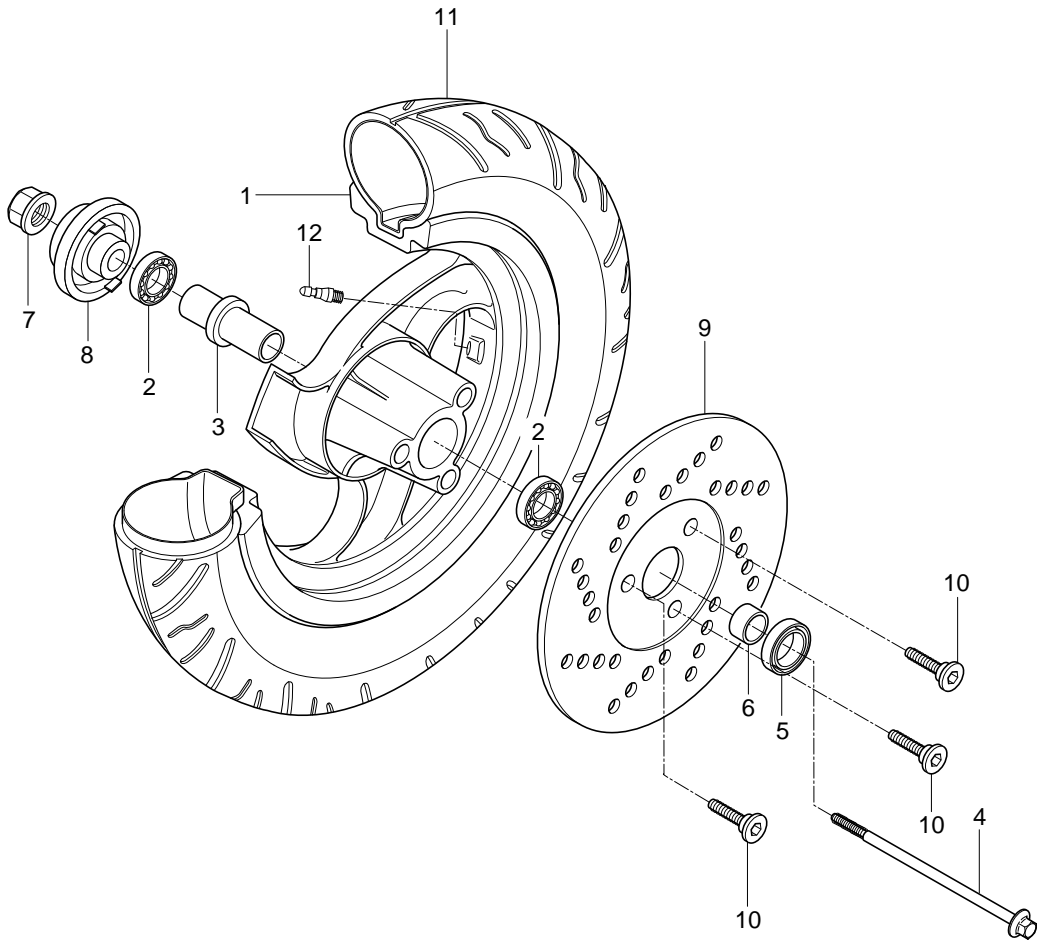
FIG 29



# FIG 29. FRONT FENDER

| REF. PARTS NO. |             |             |             | PARTS NAME  | Q`TY                     | REMARKS | REC.Q'TY<br>(PCS) |
|----------------|-------------|-------------|-------------|-------------|--------------------------|---------|-------------------|
| NO.            | DOMESTIC    | ST01        | KEN01       |             |                          |         |                   |
| 1              | 53111HG7200 | 53111HG7200 | 53111HG7200 | 53111HG7200 | FENDER,front(OPR,OSB)    | 1       | 20                |
| 3              | 01104-06205 | 01104-06205 | 01104-06205 | 01104-06205 | BOLT,front fender(M6*20) | 4       |                   |
| 4              | 09169-06034 | 09169-06034 | 09169-06034 | 09169-06034 | WASHER,front fender      | 4       |                   |

FIG 30

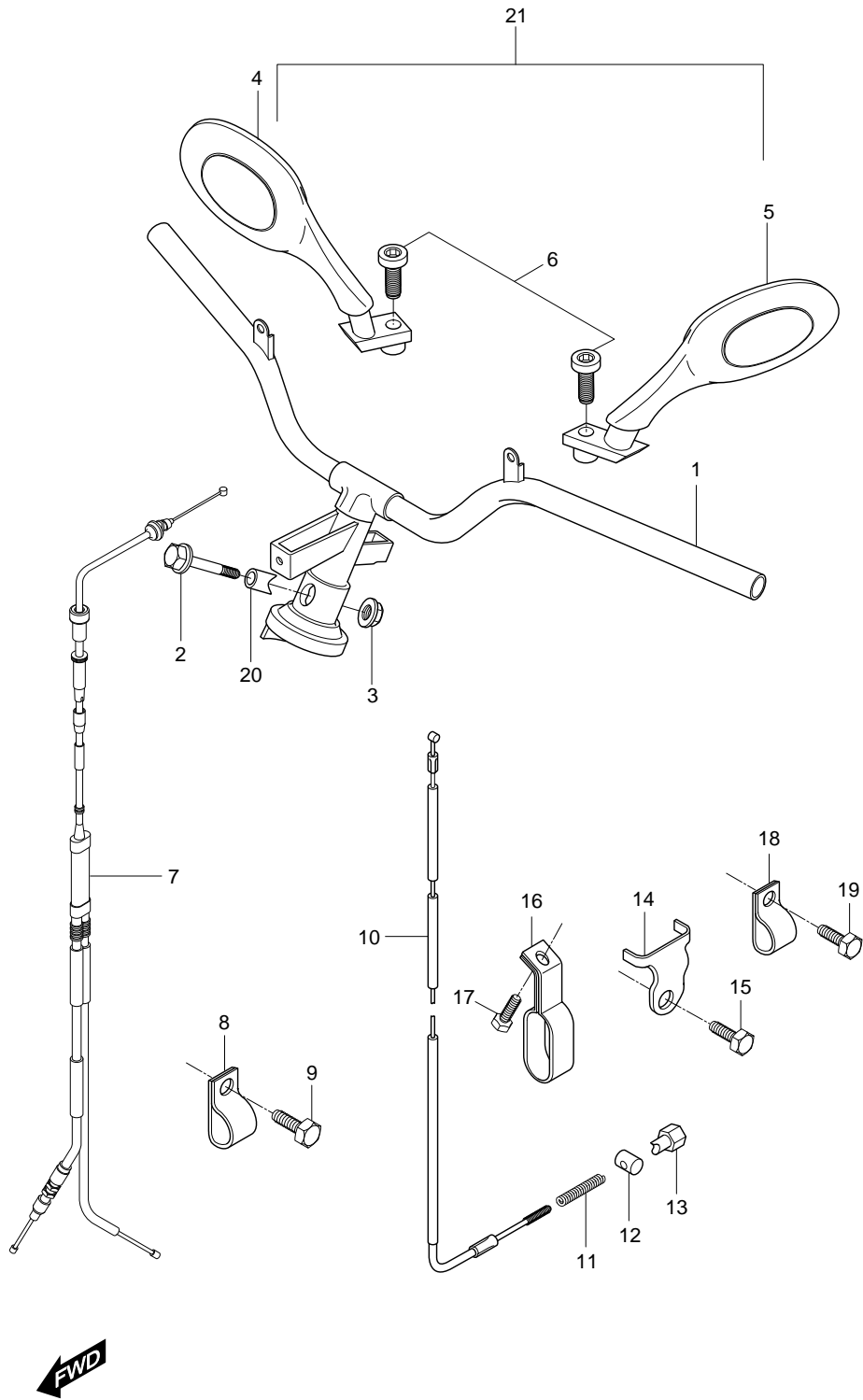


# FIG 30. FRONT WHEEL

| REF. PARTS NO. |             |             |             |             |                             | PARTS NAME | Q'TY | REMARKS | REC.Q'TY |
|----------------|-------------|-------------|-------------|-------------|-----------------------------|------------|------|---------|----------|
| NO.            | DOMESTIC    | ST01        | KEN01       | MAT01       |                             |            |      | (PCS)   |          |
| 1              | 54140HE7100 | 54140HE7100 | 54140HE7100 | 54140HE7100 | WHEEL COMP,front(2.50*1     | 1          |      | 4       |          |
| 2              | 08123-62007 | 08123-62007 | 08123-62007 | 08123-62007 | BEARING,front wheel         | 2          |      |         |          |
| 3              | 54730HE7100 | 54730HE7100 | 54730HE7100 | 54730HE7100 | SPACER COMP,front wheel     | 1          |      |         |          |
| 4              | 54711HE7100 | 54711HE7100 | 54711HE7100 | 54711HE7100 | AXLE,front                  | 1          |      | 5       |          |
| 5              | 09285-34002 | 09285-34002 | 09285-34002 | 09285-34002 | OIL SEAL,speedometer gear   | 1          |      |         |          |
| 6              | 54741-29C00 | 54741-29C00 | 54741-29C00 | 54741-29C00 | SPACER,front axle L         | 1          |      |         |          |
| 7              | 08319-31108 | 08319-31108 | 08319-31108 | 08319-31108 | NUT,front axle(M10)         | 1          |      |         |          |
| 8              | 54600-28B00 | 54600-28B00 | 54600-28B00 | 54600-28B00 | BOX ASSY,speedometer gear   | 1          |      | 6       |          |
| 9              | 59211-29C10 | 59211-29C10 | 59211-29C10 | 59211-29C10 | DISK,front brake            | 1          |      | 4       |          |
| 10             | 59421-03A01 | 59421-03A01 | 59421-03A01 | 59421-03A01 | BOLT,disk brake disk        | 3          |      |         |          |
| 11             | 55109HE7100 | 55109HE7100 | 55109HE7100 | 55109HE7100 | TIRE SET,front(100/90-10 56 | 1          |      | 10      |          |
| 12             | 55220-29C20 | 55220-29C20 | 55220-29C20 | 55220-29C20 | VALVE ASSY,wheel rim        | 1          |      |         |          |



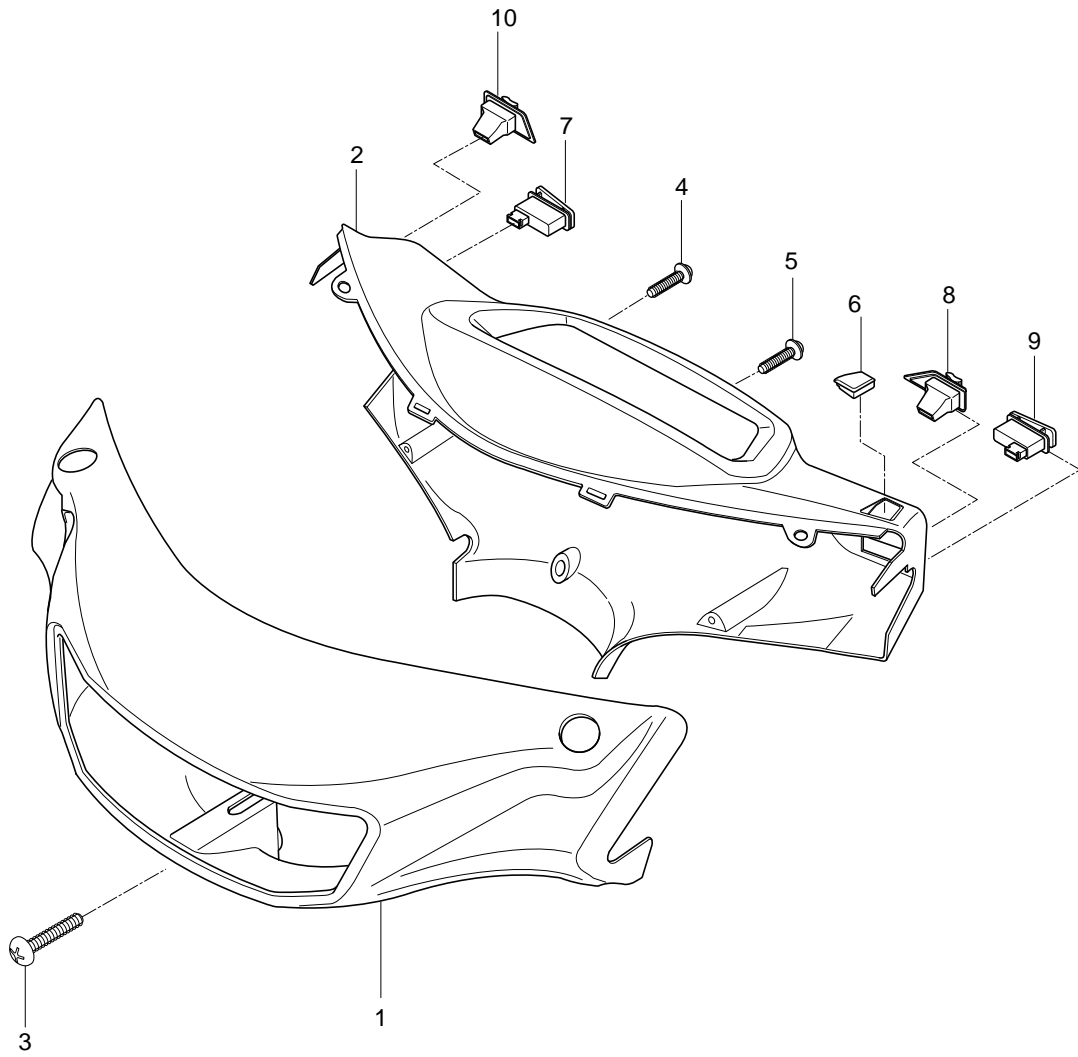
FIG 31



# FIG 31. HANDLE BAR

| REF. PARTS NO. |             |             |             |             |                               | PARTS NAME | Q'TY | REMARKS | REC.Q'TY |
|----------------|-------------|-------------|-------------|-------------|-------------------------------|------------|------|---------|----------|
| NO.            | DOMESTIC    | ST01        | KEN01       | MAT01       |                               |            |      | (PCS)   |          |
| 1              | 56110HE7101 | 56110HE7101 | 56110HE7101 | 56110HE7101 | HANDLE BAR COMP               | 1          |      | 6       |          |
| 2              | 09103H10101 | 09103H10101 | 09103H10101 | 09103H10101 | BOLT,handle bar set           | 1          |      |         |          |
| 3              | 08319-31108 | 08319-31108 | 08319-31108 | 08319-31108 | NUT,handle bar set(M10)       | 1          |      |         |          |
| 4              | 56500HE7100 | 56500HE7100 |             |             | MIRROR ASS'Y,rear view R      | 1          |      | 10      |          |
| 4-1            |             |             | 56500HF1602 | 56500HF1602 | MIRROR ASS'Y,rear view R      |            |      |         |          |
| 5              | 56600HE7100 | 56600HE7100 |             |             | MIRROR ASS'Y,rear view L      | 1          |      | 10      |          |
| 5-1            |             |             | 56600HF1602 | 56600HF1602 | MIRROR ASS'Y,rear view L      |            |      |         |          |
| 6              | 07110-08358 | 07110-08358 | 07110-08358 | 07110-08358 | BOLT,rear view mirror(M8*2)   | 2          |      |         |          |
| 7              | 58300HE7102 | 58300HE7102 | 58300HE7102 | 58300HE7102 | CABLE ASSY,throttle           | 1          |      | 6       |          |
| 8              | 09403-14404 | 09403-14404 | 09403-14404 | 09403-14404 | CLAMP                         | 1          |      |         |          |
| 9              | 02112-06126 | 02112-06126 | 02112-06126 | 02112-06126 | SCREW(M6*12)                  | 1          |      |         |          |
| 10             | 58510HE7100 | 58510HE7100 | 58510HE7100 | 58510HE7100 | CABLE COMP,rear brake         | 1          |      | 10      |          |
| 11             | 09440-07062 | 09440-07062 | 09440-07062 | 09440-07062 | SPRING,rear brake cable retu  | 1          |      |         |          |
| 12             | 09209-10001 | 09209-10001 | 09209-10001 | 09209-10001 | PIN,rear brake cable          | 1          |      |         |          |
| 13             | 09150-05101 | 09150-05101 | 09150-05101 | 09150-05101 | NUT,rear brake cable adjuster | 1          |      |         |          |
| 14             | 58575-37B00 | 58575-37B00 | 58575-37B00 | 58575-37B00 | PLATE,rear brake cable        | 1          |      |         |          |
| 15             | 02112-06106 | 02112-06106 | 02112-06106 | 02112-06106 | SCREW,rear brake cable plat   | 1          |      |         |          |
| 16             | 09404-06404 | 09404-06404 | 09404-06404 | 09404-06404 | CLAMP                         | 1          |      |         |          |
| 17             | 09128-06005 | 09128-06005 | 09128-06005 | 09128-06005 | BOLT,rear cable clamp         | 1          |      |         |          |
| 18             | 09404-06404 | 09404-06404 | 09404-06404 | 09404-06404 | CLAMP,rear brake cable        | 1          |      |         |          |
| 19             | 01134-06128 | 01134-06128 | 01134-06128 | 01134-06128 | BOLT(M6*16)                   | 1          |      |         |          |
| 20             | 56213HE7100 | 56213HE7100 | 56213HE7100 | 56213HE7100 | SPACER,handle bar             | 1          |      |         |          |
| 21             | 56501HE7100 | 56501HE7100 |             |             | MIRROR SET                    | 1          |      |         |          |

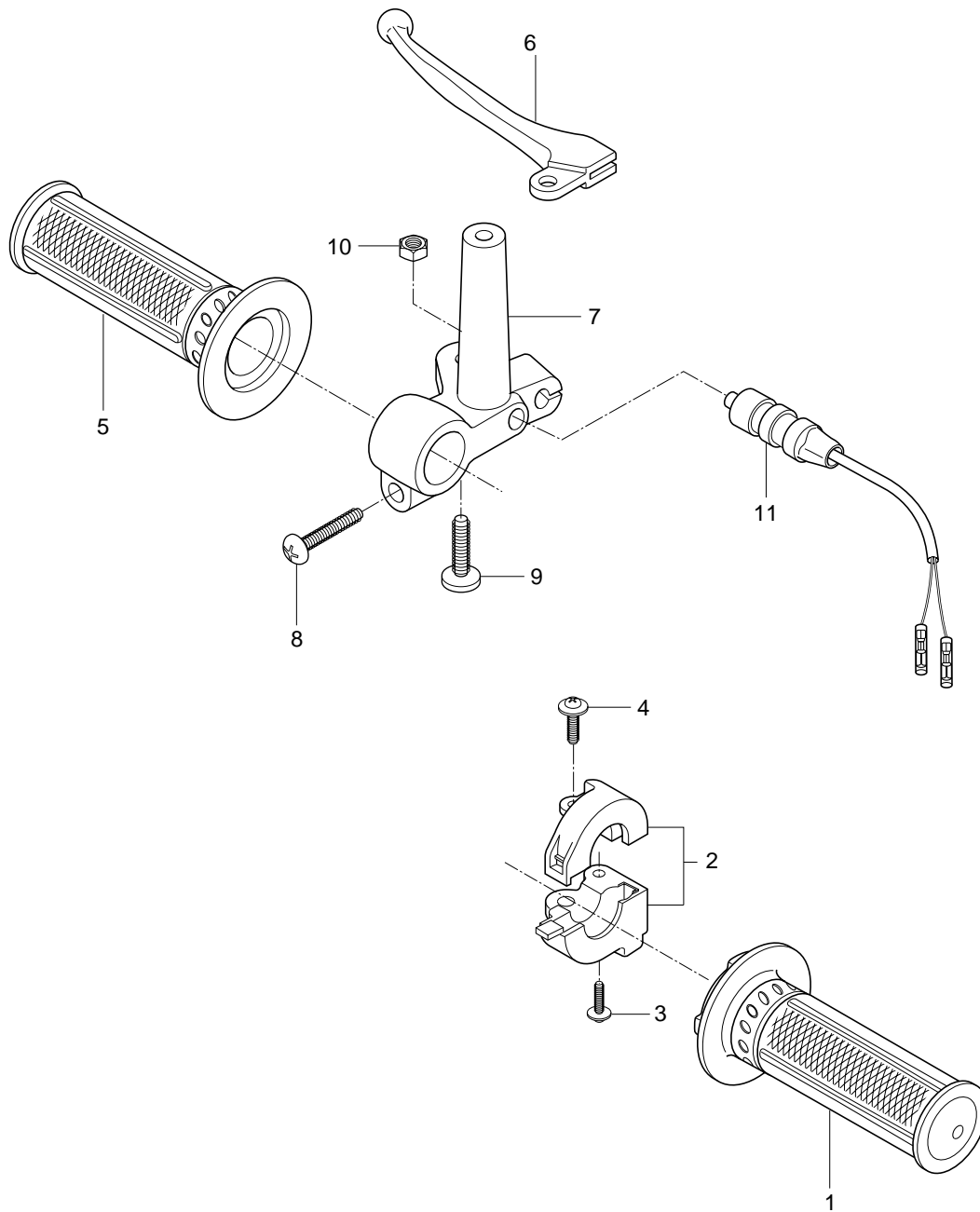
FIG.32



# FIG 32. HANDLE COVER

| REF. PARTS NO. |             |             |             |             |                              | PARTS NAME | Q'TY | REMARKS | REC.Q'TY |
|----------------|-------------|-------------|-------------|-------------|------------------------------|------------|------|---------|----------|
| NO.            | DOMESTIC    | ST01        | KEN01       | MAT01       |                              |            |      | (PCS)   |          |
| 1              | 56311HE7100 | 56311HE7100 |             |             | COVER,handle front(COLOF     | 1          |      | 20      |          |
| 1-1            |             |             | 56311HE7400 | 56311HE7400 | COVER,handle front(OPR, OSB) |            |      |         |          |
| 2              | 56321HE7102 | 56321HE7102 | 56321HE7102 | 56321HE7102 | COVER,handle rear            | 1          |      | 10      |          |
| 3              | 02142-05125 | 02142-05125 | 02142-05125 | 02142-05125 | SCREW,handle cover front &   | 2          |      |         |          |
| 4              | 03241-05165 | 03241-05165 | 03241-05165 | 03241-05165 | SCREW,handle cover rear &    | 2          |      |         |          |
| 5              | 03241-04166 | 03241-04166 | 03241-04166 | 03241-04166 | SCREW,handle cover rear &    | 2          |      |         |          |
| 6              | 37430HE6100 | 37430HE6100 | 37430HE6100 | 37430HE6100 | SWITCH ASS'Y DIMMER          |            |      | 10      |          |
| 7              | 37220HE6100 | 37220HE6100 | 37220HE6100 | 37220HE6100 | SWITCH ASS'Y START           |            |      | 10      |          |
| 8              | 37410HF4530 | 37410HF4530 | 37410HF4530 | 37410HF4530 | SWITCH ASS'Y TURN SIGNAL     |            |      | 10      |          |
| 9              | 37420HE6100 | 37420HE6100 | 37420HE6100 | 37420HE6100 | SWITCH ASS'Y HORN            |            |      | 10      |          |
| 10             | 37210HE6100 | 37210HE6100 | 37210HE6100 |             | SWITCH ASS'Y LIGHTING        |            |      | 10      |          |
| 10-1           |             |             |             | 37240HE6150 | SWITCH ASS'Y LIGHTING        |            |      |         |          |

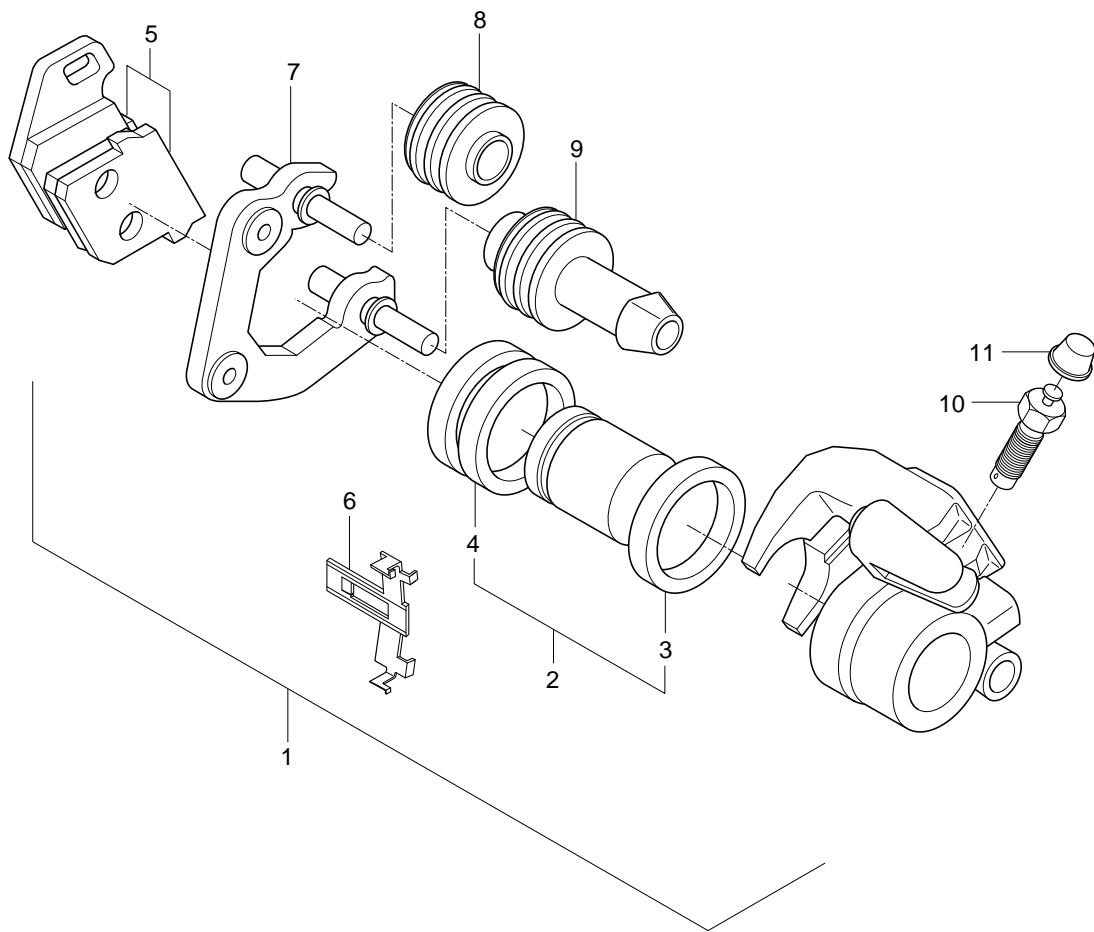
FIG.33



# FIG 33. HANDLE SWITCH

| REF. PARTS NO. |                |                |                |                |                           | PARTS NAME | Q'TY     | REMARKS | REC.Q'TY |
|----------------|----------------|----------------|----------------|----------------|---------------------------|------------|----------|---------|----------|
| NO.            | DOMESTIC       | ST01           | KEN01          | MAT01          |                           |            |          | (PCS)   |          |
| 1              | 57110HE7101    | 57110HE7101    | 57110HE7101    | 57110HE7101    | GRIP COMP,throttle        | 1          |          | 2       |          |
| 2              | 57100H29C00    | 57100H29C00    | 57100H29C00    | 57100H29C00    | CASE ASSY,throttle        | 1          |          |         |          |
| 3              | 02112-74108    | 02112-74108    | 02112-74108    | 02112-74108    | SCREW,stop switch(M4*10)  | 1          |          |         |          |
| 4              | 09136-05040    | 09136-05040    | 09136-05040    | 09136-05040    | SCREW,throttle case       | 1          |          |         |          |
| 5              | 57211HE7101    | 57211HE7101    | 57211HE7101    | 57211HE7101    | GRIP, L                   | 1          |          | 2       |          |
| 6              | 57421-03A11    | 57421-03A11    | 57421-03A11    | 57421-03A11    | LEVER,rear brake          | 1          |          | 30      |          |
| 7              | 57500HE7101BRA | 57500HE7101BRA | 57500HE7101BRA | 57500HE7101BRA | LEVER ASS'Y,rear brake    | 1          |          |         |          |
| 8              | 02112-06208    | 02112-06208    | 02112-06208    | 02112-06208    | SCREW,holder(M6*20)       | 1          |          |         |          |
| 9              | 02112-05258    | 02112-05258    | 02112-05258    | 02112-05258    | SCREW,lever holder(M5*25) | 1          |          |         |          |
| 10             | 08319-21065    | 08319-21065    | 08319-21065    | 08319-21065    | NUT,brake lever pivot(M6) | 1          |          |         |          |
| 11             | 57460HE7100    | 57460HE7100    | 57460HE7100    | 57460HE7100    | SWITCH ASSY,stop          | 1          | NOT SALE | 4       |          |
| 12             | 37200HE7101    | 37200HE7101    | 37200HE7101    | 37200HE7101    | SWITCH ASSY,handle R      | 1          | NOT SALE | 10      |          |
| 13             | 57500HE7101    | 57500HE7101    | 57500HE7101    | 57500HE7101    | BK, LEVER RR S/W          | 1          | NOT SALE |         |          |

FIG 34

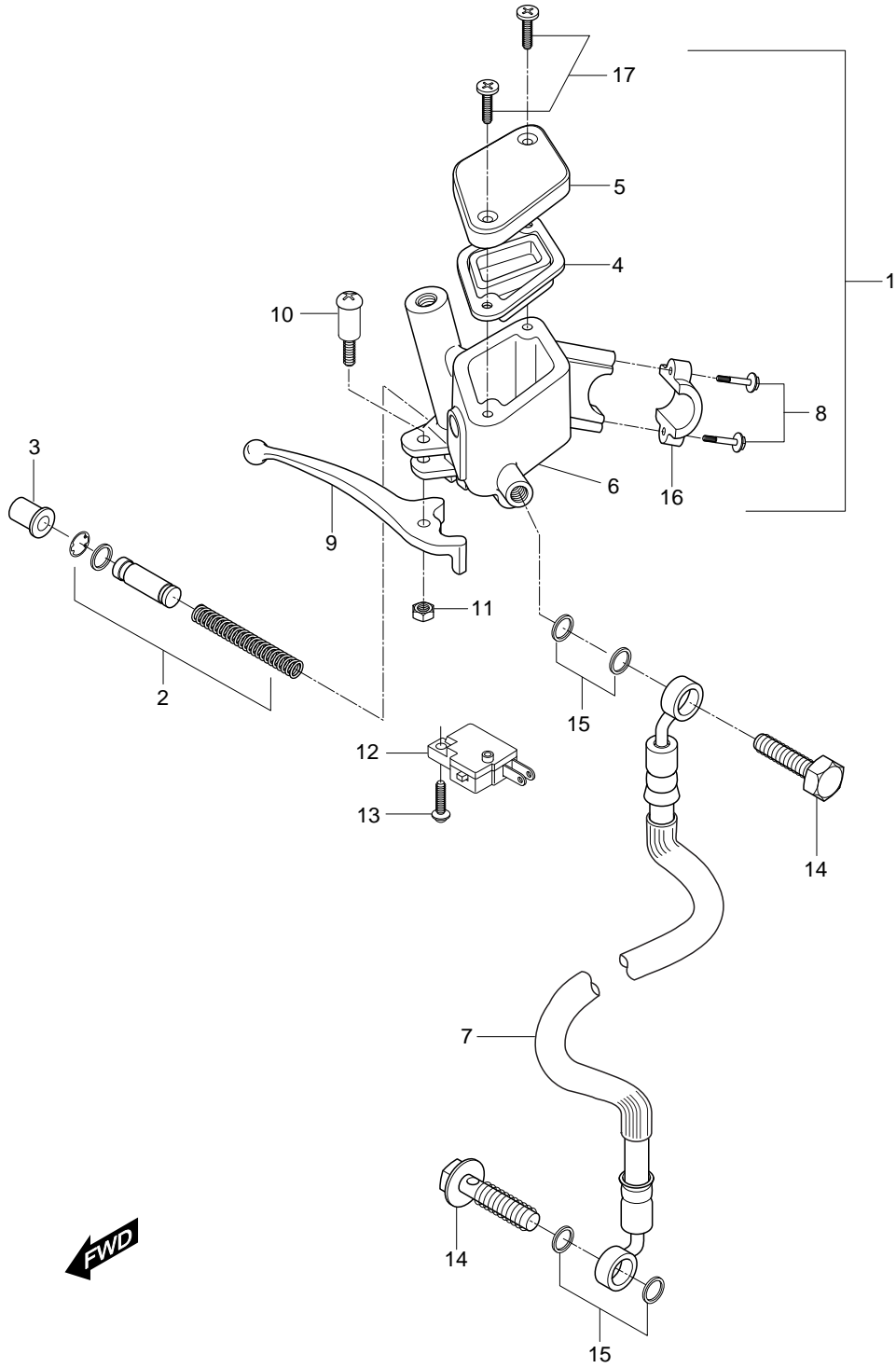


# FIG 34. CALIPER

| REF. PARTS NO. |                |                |                |                |                     | PARTS NAME | Q`TY     | REMARKS | REC.Q'TY |
|----------------|----------------|----------------|----------------|----------------|---------------------|------------|----------|---------|----------|
| NO.            | DOMESTIC       | ST01           | KEN01          | MAT01          |                     |            |          | (PCS)   |          |
| 1              | 59300-03A3090U | 59300-03A3090U | 59300-03A3090U | 59300-03A3090U | CALIPER ASSY, front | 1          |          | 4       |          |
| 2              | 59300-03810    | 59300-03810    | 59300-03810    | 59300-03810    | PISTON SET          | 1          | NOT SALE |         |          |
| 3              | 59170-03A00    | 59170-03A00    | 59170-03A00    | 59170-03A00    | SEAL                | 1          | NOT SALE |         |          |
| 4              | 59308-03A00    | 59308-03A00    | 59308-03A00    | 59308-03A00    | BOOT                | 1          | NOT SALE |         |          |
| 5              | 59300-03860    | 59300-03860    | 59300-03860    | 59300-03860    | PAD SET,caliper     | 1          |          | 30      |          |
| 6              | 59315-36500    | 59315-36500    | 59315-36500    | 59315-36500    | SPRING              | 1          |          |         |          |
| 7              | 59313-36A00    | 59313-36A00    | 59313-36A00    | 59313-36A00    | CARRIER, LH         | 1          | NOT SALE |         |          |
| 8              | 59312-36500    | 59312-36500    | 59312-36500    | 59312-36500    | BOOT                | 1          | NOT SALE |         |          |
| 9              | 59313-36500    | 59313-36500    | 59313-36500    | 59313-36500    | INSULATOR           | 1          | NOT SALE |         |          |
| 10             | 59121-18410    | 59121-18410    | 59121-18410    | 59121-18410    | BLEEDER             | 1          |          |         |          |
| 11             | 59122-18410    | 59122-18410    | 59122-18410    | 59122-18410    | CAP                 | 1          |          |         |          |



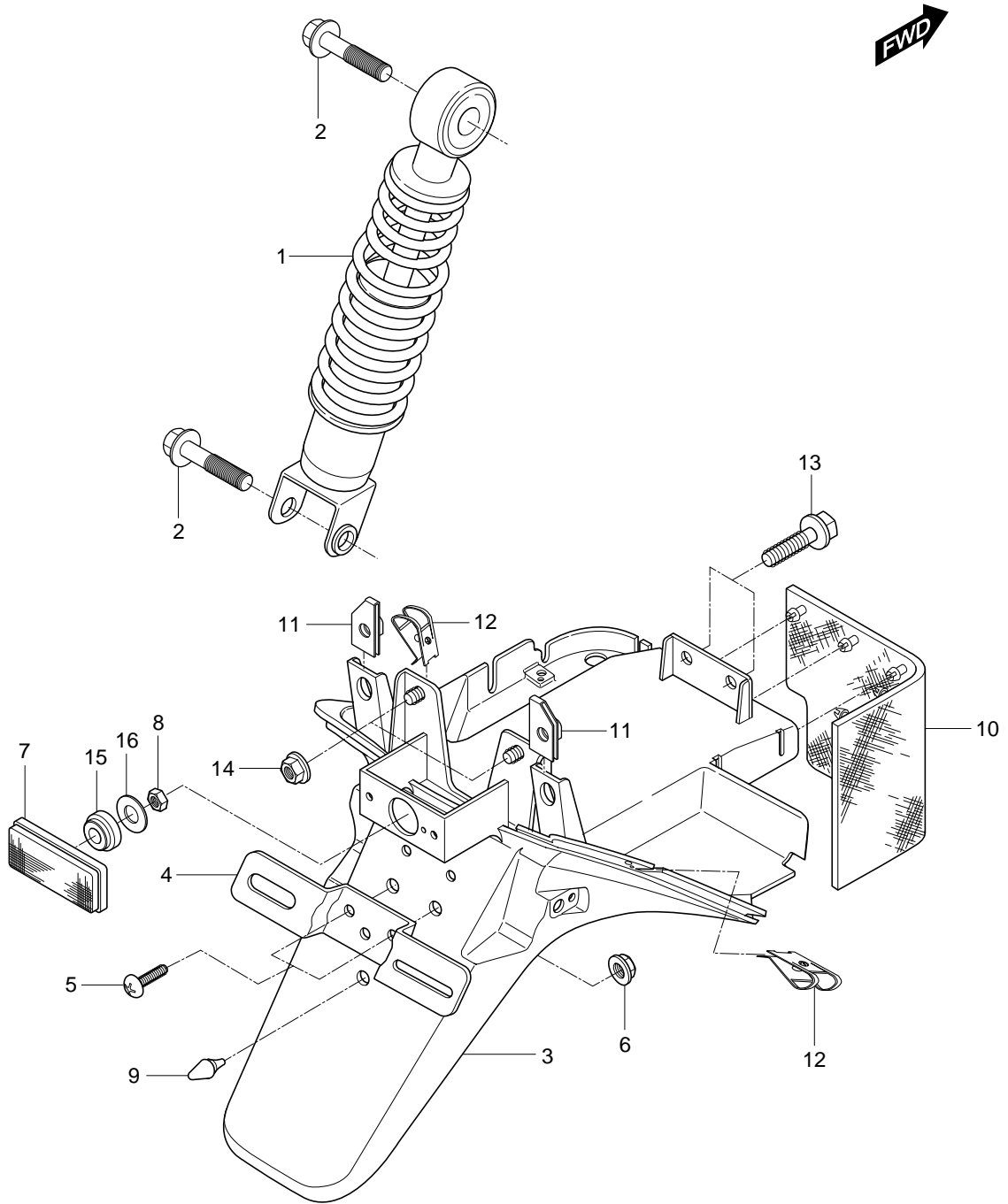
FIG 35



# FIG 35. MASTER CYLINDER

| REF. PARTS NO. |             |             |             |             |                         | PARTS NAME | Q'TY     | REMARKS | REC.Q'TY |
|----------------|-------------|-------------|-------------|-------------|-------------------------|------------|----------|---------|----------|
| NO.            | DOMESTIC    | ST01        | KEN01       | MAT01       |                         |            |          | (PCS)   |          |
| 1              | 59600HE7102 | 59600HE7102 | 59600HE7102 | 59600HE7102 | CYLINDER ASSY,front mas | 1          |          | 8       |          |
| 2              | 59600-03810 | 59600-03810 | 59600-03810 | 59600-03810 | PISTON/CUP SET          | 1          | NOT SALE |         |          |
| 3              | 59600-44300 | 59600-44300 | 59600-44300 | 59600-44300 | BOOT                    | 1          | NOT SALE |         |          |
| 4              | 59667HE7100 | 59667HE7100 | 59667HE7100 | 59667HE7100 | DIAPHRAGM               | 1          |          |         |          |
| 5              | 59669HE7100 | 59669HE7100 | 59669HE7100 | 59669HE7100 | CAP                     | 1          |          |         |          |
| 6              | 59665HE7100 | 59665HE7100 | 59665HE7100 | 59665HE7100 | BODY,master cylinder    | 1          | NOT SALE |         |          |
| 7              | 59480HE7102 | 59480HE7102 | 59480HE7102 | 59480HE7102 | HOSE,front brake        | 1          |          | 2       |          |
| 8              | 01107-35C00 | 01107-35C00 | 01107-35C00 | 01107-35C00 | BOLT,front brake        | 2          |          |         |          |
| 9              | 57300-29C10 | 57300-29C10 | 57300-29C10 | 57300-29C10 | LEVER,front brake       | 1          |          |         |          |
| 10             | 57431-13010 | 57431-13010 | 57431-13010 | 57431-13010 | SCREW,lever             | 1          |          |         |          |
| 11             | 08319-21065 | 08319-21065 | 08319-21065 | 08319-21065 | NUT(M6)                 | 1          |          |         |          |
| 12             | 57460-17C00 | 57460-17C00 | 57460-17C00 | 57460-17C00 | SWITCH ASSY,stop        | 1          |          | 20      |          |
| 13             | 02112-74108 | 02112-74108 | 02112-74108 | 02112-74108 | SCREW                   | 1          |          |         |          |
| 14             | 09360-10039 | 09360-10039 | 09360-10039 | 09360-10039 | UNION BOLT              | 2          |          |         |          |
| 15             | 09161-10005 | 09161-10005 | 09161-10005 | 09161-10005 | WASHER                  | 4          |          |         |          |
| 16             | 59671-29C00 | 59671-29C00 | 59671-29C00 | 59671-29C00 | HOLDER                  | 1          |          | 10      |          |
| 17             | 69689-49300 | 69689-49300 | 69689-49300 | 69689-49300 | SCREW                   | 2          |          |         |          |

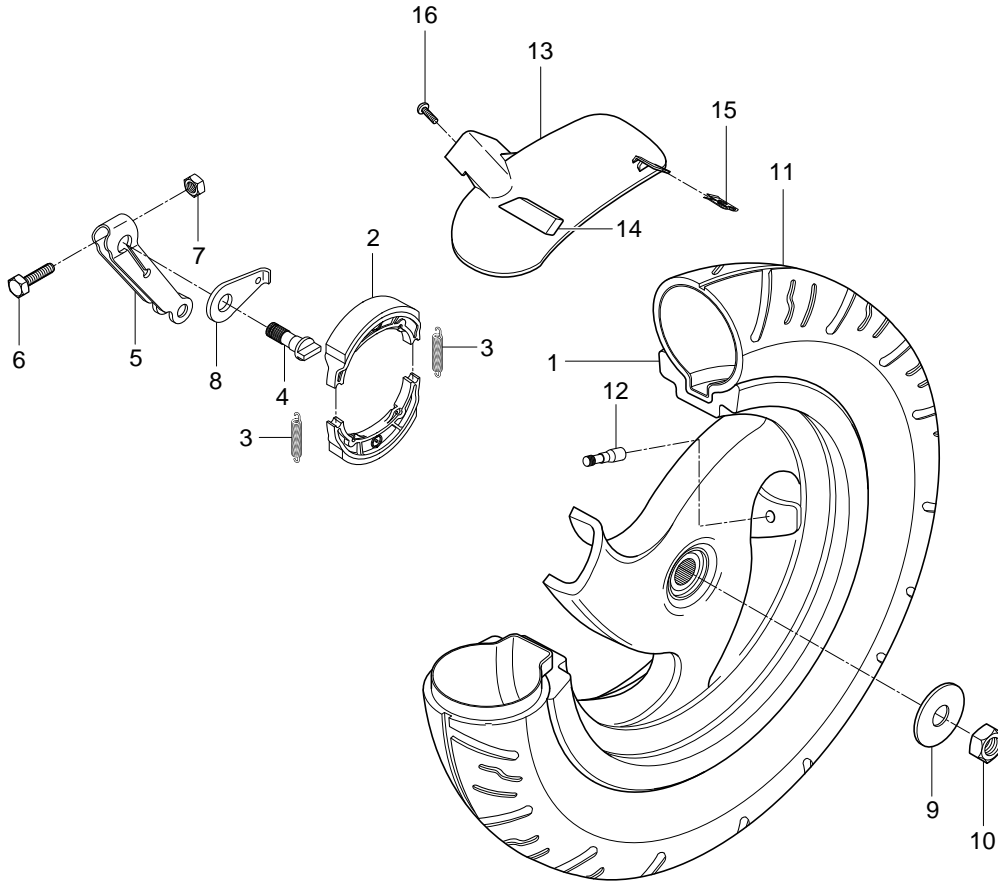
FIG 36



# FIG 36. REAR FENDER

| REF. PARTS NO. |             |             |             |             |                              | PARTS NAME | Q'TY | REMARKS | REC.Q'TY |
|----------------|-------------|-------------|-------------|-------------|------------------------------|------------|------|---------|----------|
| NO.            | DOMESTIC    | ST01        | KEN01       | MAT01       |                              |            |      | (PCS)   |          |
| 1              | 62100-41D00 | 62100-41D00 | 62100-41D00 | 62100-41D00 | ABSORBER ASSY,rear shoc      | 1          |      | 4       |          |
| 2              | 09103-10019 | 09103-10019 | 09103-10019 | 09103-10019 | BOLT,rear shock absorber     | 2          |      |         |          |
| 3              | 63111HG7702 | 63111HG7702 | 63111HG7702 | 63111HG7702 | FENDER,rear upper            | 1          |      | 6       |          |
| 4              | 35927H44430 | 35927H44430 | 35927H44430 | 35927H44430 | BRACKET,licence plate        | 1          |      |         |          |
| 5              | 02142-06165 | 02142-06165 | 02142-06165 | 02142-06165 | SCREW,license plate bracket  | 2          |      |         |          |
| 6              | 08316-16068 | 08316-16068 | 08316-16068 | 08316-16068 | NUT,license plate bracket(Mt | 2          |      |         |          |
| 7              | 35970-24D63 | 35970-24D63 | 35970-24D63 | 35970-24D63 | REFLEX REFLECTOR ASS'        | 1          |      | 4       |          |
| 8              | 08316-26055 | 08316-26055 | 08316-26055 | 08316-26055 | NUT,reflex reflector(M5)     | 1          |      |         |          |
| 9              | 09321-06023 | 09321-06023 | 09321-06023 | 09321-06023 | CUSHION,license plate        | 1          |      |         |          |
| 10             | 63115HE7100 | 63115HE7100 | 63115HE7100 | 63115HE7100 | MUD GUARD,rear fender        | 1          |      | 4       |          |
| 11             | 09148-06020 | 09148-06020 | 09148-06020 | 09148-06020 | NUT,rear fender & tail lamp  | 2          |      |         |          |
| 12             | 09148-05020 | 09148-05020 | 09148-05020 | 09148-05020 | NUT,rear fender & side cover | 4          |      |         |          |
| 13             | 01517-06168 | 01517-06168 | 01517-06168 | 01517-06168 | BOLT,rear fender rear & fran | 2          |      |         |          |
| 14             | 08316-16068 | 08316-16068 | 08316-16068 | 08316-16068 | NUT,rear fender rear & frame | 2          |      |         |          |
| 15             | 35971HF6100 | 35971HF6100 | 35971HF6100 | 35971HF6100 | CUSHION,reflex reflector     | 1          |      |         |          |
| 16             | 09160-060H1 | 09160-060H1 | 09160-060H1 | 09160-060H1 | WASHER,reflex reflector      | 1          |      |         |          |

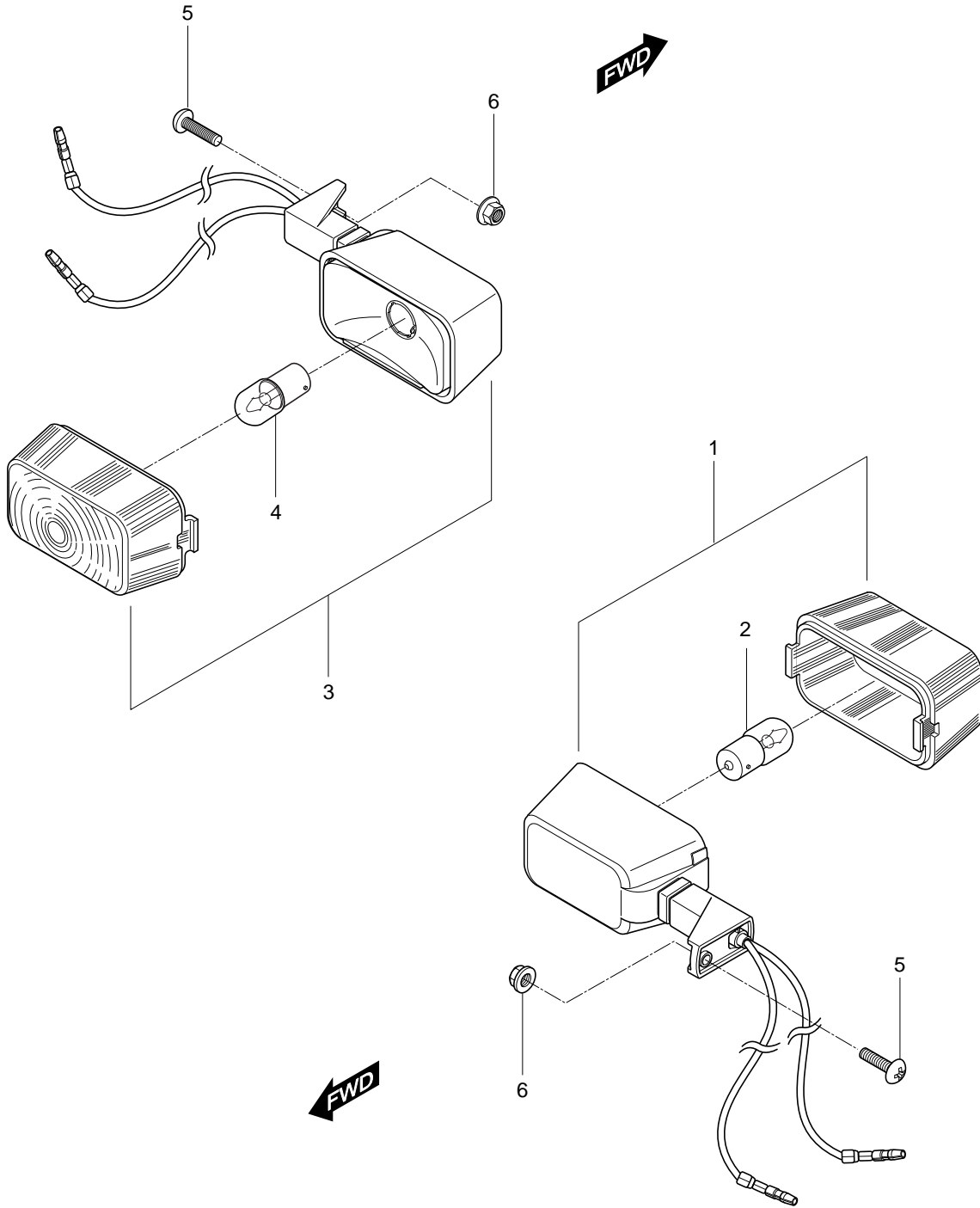
FIG 37



# FIG 37. REAR WHEEL

| REF. PARTS NO. |             |             |             |             |                                | PARTS NAME | Q'TY | REMARKS | REC.Q'TY |
|----------------|-------------|-------------|-------------|-------------|--------------------------------|------------|------|---------|----------|
| NO.            | DOMESTIC    | ST01        | KEN01       | MAT01       |                                |            |      | (PCS)   |          |
| 1              | 64150HE7100 | 64150HE7100 | 64150HE7100 | 64150HE7100 | WHEEL COMP,rear(2.50*10        | 1          |      | 4       |          |
| 2              | 64400HE7100 | 64400HE7100 | 64400HE7100 | 64400HE7100 | SHOE COMP,rear brake(NA)       | 1          |      | 30      |          |
| 3              | 09443-11029 | 09443-11029 | 09443-11029 | 09443-11029 | SPRING,brake shoe              | 2          |      |         |          |
| 4              | 64441HE7100 | 64441HE7100 | 64441HE7100 | 64441HE7100 | CAM,rear brake(NA)             | 1          |      |         |          |
| 5              | 64451HE7101 | 64451HE7101 | 64451HE7101 | 64451HE7101 | LEVER,rear brake cam           | 1          |      | 2       |          |
| 6              | 12812-30A00 | 12812-30A00 | 12812-30A00 | 12812-30A00 | BOLT,rear brake cam lever      | 1          |      |         |          |
| 7              | 08316-16068 | 08316-16068 | 08316-16068 | 08316-16068 | NUT,rear brake cam lever(M6)   | 1          |      |         |          |
| 8              | 64492HE7100 | 64492HE7100 | 64492HE7100 | 64492HE7100 | PLATE,brake lining indicator   | 1          |      |         |          |
| 9              | 09160-16039 | 09160-16039 | 09160-16039 | 09160-16039 | WASHER,rear axle               | 1          |      |         |          |
| 10             | 08319-21168 | 08319-21168 | 08319-21168 | 08319-21168 | NUT,rear axle(M6)              | 1          |      |         |          |
| 11             | 55109HE7100 | 55109HE7100 | 55109HE7100 | 55109HE7100 | TIRE SET,rear(100/90-10 56)    | 1          |      | 10      |          |
| 12             | 55220-29C20 | 55220-29C20 | 55220-29C20 | 55220-29C20 | VALVE ASSY,wheel rim           | 1          |      |         |          |
| 13             | 63112HE7100 | 63112HE7100 | 63112HE7100 | 63112HE7100 | FENDER,rear lower              | 1          |      | 4       |          |
| 14             | 33652-29100 | 33652-29100 | 33652-29100 | 33652-29100 | CUSHION,rear fender lower      | 1          |      |         |          |
| 15             | 09148-05004 | 09148-05004 | 09148-05004 | 09148-05004 | NUT,rear fender lower L        | 1          |      |         |          |
| 16             | 02112-06165 | 02112-06165 | 02112-06165 | 02112-06165 | SCREW,rear fender lower R (M6) | 1          |      |         |          |

FIG 38



# FIG 38. REAR TURN SIGNAL LAMP

| REF. PARTS NO. |             |             |             |             | PARTS NAME                   | Q'TY | REMARKS | REC.Q'TY<br>(PCS) |
|----------------|-------------|-------------|-------------|-------------|------------------------------|------|---------|-------------------|
| NO.            | DOMESTIC    | ST01        | KEN01       | MAT01       |                              |      |         |                   |
| 1              | 35603HF1700 | 35603HF1700 | 35603HF1700 | 35603HF1700 | LAMP ASS'Y, rear turnsignal  | 1    |         |                   |
| 2              | 09471-12142 | 09471-12142 | 09471-12142 | 09471-12142 | BULB, rear turnsignal lamp(F | 1    |         | 10                |
| 3              | 35604HF1700 | 35604HF1700 | 35604HF1700 | 35604HF1700 | LAMP ASS'Y, rear turnsignal  | 1    |         |                   |
| 4              | 09471-12142 | 09471-12142 | 09471-12142 | 09471-12142 | BULB, rear turnsignal lamp(F | 1    |         | 10                |
| 5              | 02142-06255 | 02142-06255 | 02142-06255 | 02142-06255 | SCREW, rear turnsignal lamp  | 2    |         |                   |
| 6              | 08316-26066 | 08316-26066 | 08316-26066 | 08316-26066 | NUT, rear turnsignal lamp(M  | 2    |         |                   |