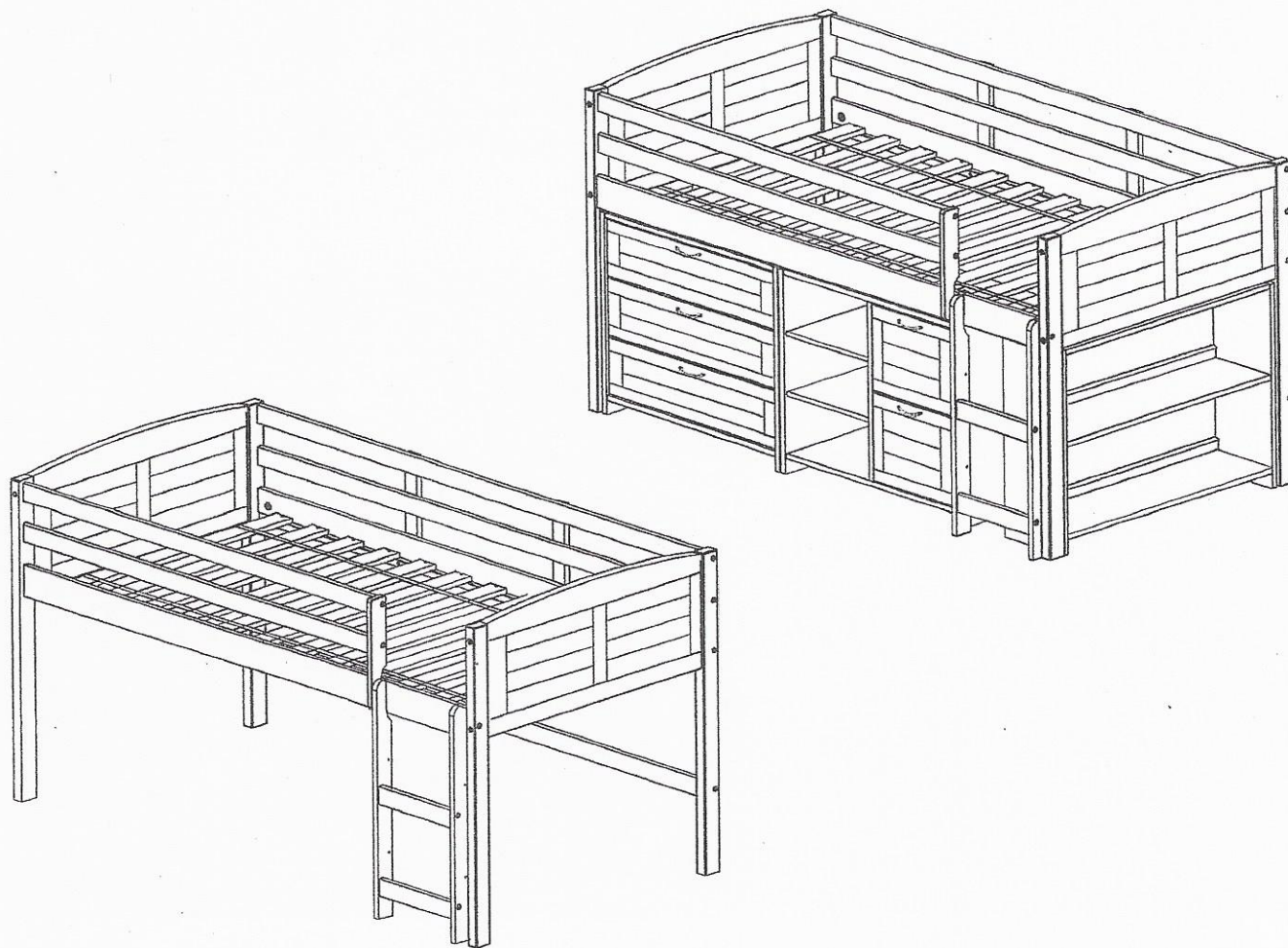


RIGHT STAIR



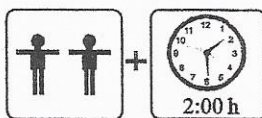
OPTIONAL SETS (THE CASES ARE SOLD SEPARATE)
 3 DRAWERS CHEST LOUVER
 2 DRAWERS CHEST LOUVER
 SMALL BOOKCASE
 HEADBOARD BOOKCASE

Thank you for purchasing this quality product. Be sure to check all packing material carefully for small parts which may have come loose inside the carton during shipment. Separate, identify and count all parts and hardware.

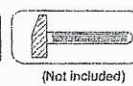
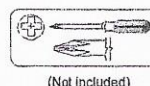
Compare with the parts list to be sure all parts are present.

"DO NOT TIGHTEN SCREWS UNTIL COMPLETELY ASSEMBLED"

!
 * Use of power tool to assemble this product will invalidate any claim and damage this product making unsafe !!!
 * Please assemble on a clean soft surface to avoid damage.



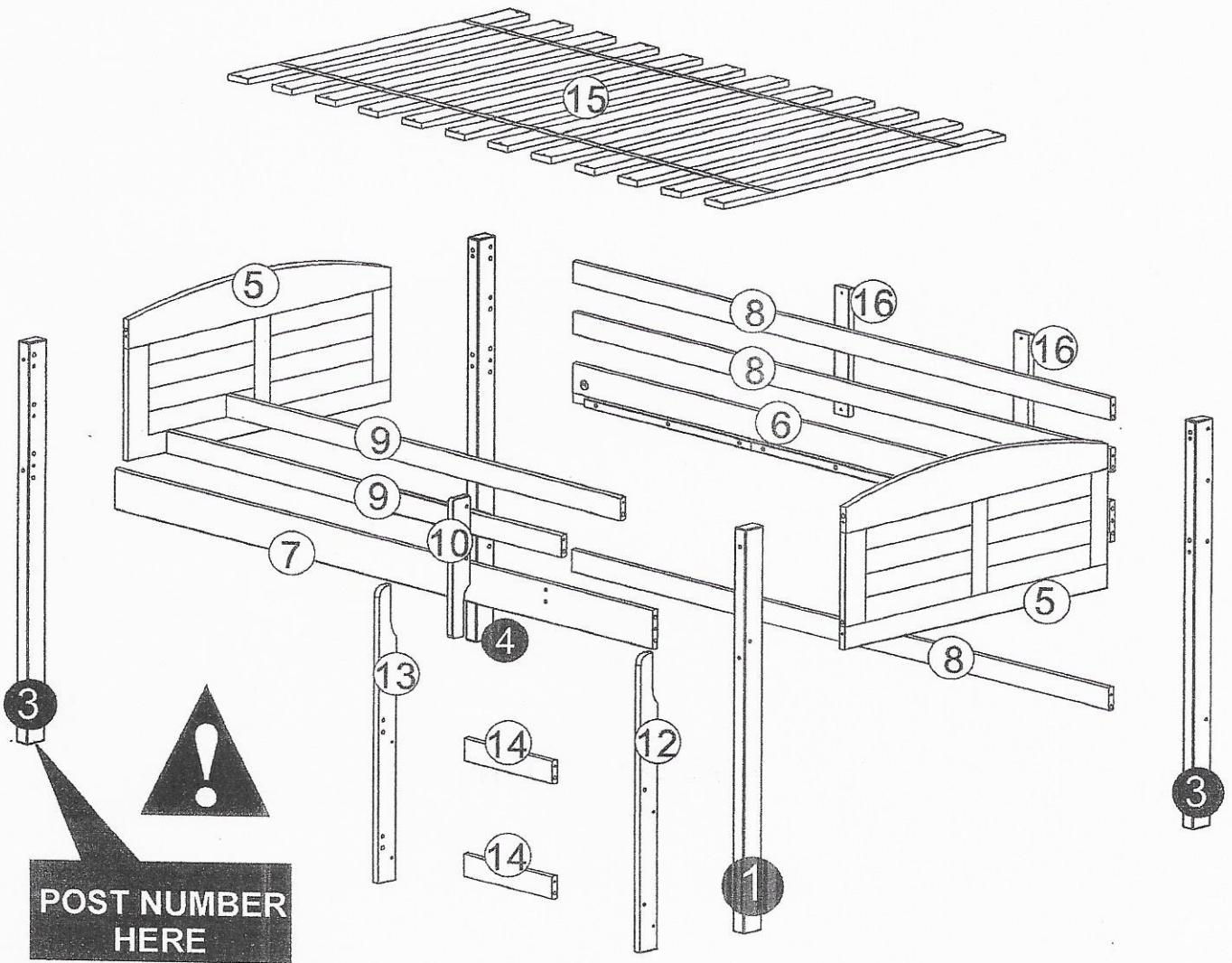
Tools Required



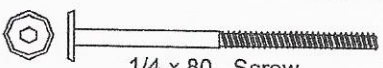

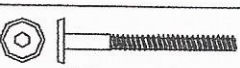
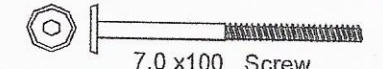
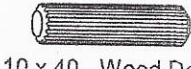
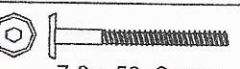
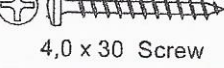
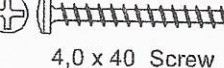
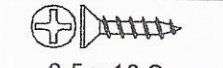

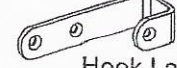

IMPORTANT:

PLEASE READ INSTRUCTION BEFORE STARTING THE ASSEMBLY

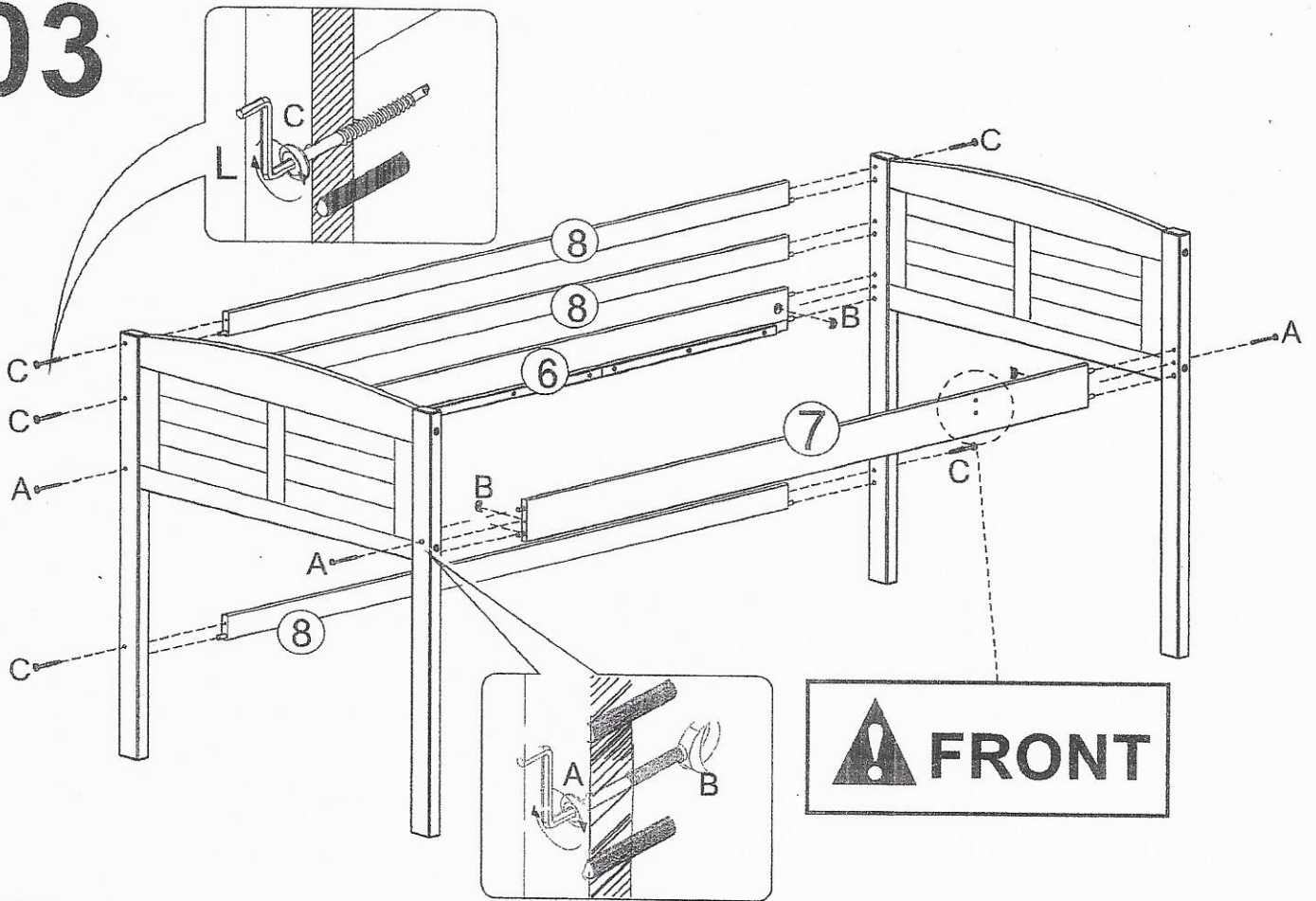
Part List - LOW LOFT BED LOUVER

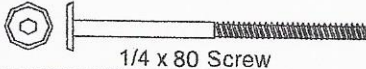



Identifying the Hardware-Identify the hardware using the illustrations below.


A  Qty 04 1/4 x 80 Screw	B  Half Moon Qty 04 1/4" Half Moon	C  Qty 08 7,0 x 80 Screw
D  Qty 08 7,0 x 100 Screw	E  Qty 30 10 x 40 Wood Dowel	F  Qty 08 7,0 x 50 Screw
G  Qty 30 4,0 x 30 Screw	H  Qty 02 4,0 x 40 Screw	i  Qty 06 3,5 x 16 Screw
J  Qty 02 Protector	K  Qty 02 Hook Ladder	L  Qty 01 Hex Screwdriver

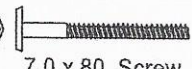
03



A  Qty **04**
1/4 x 80 Screw

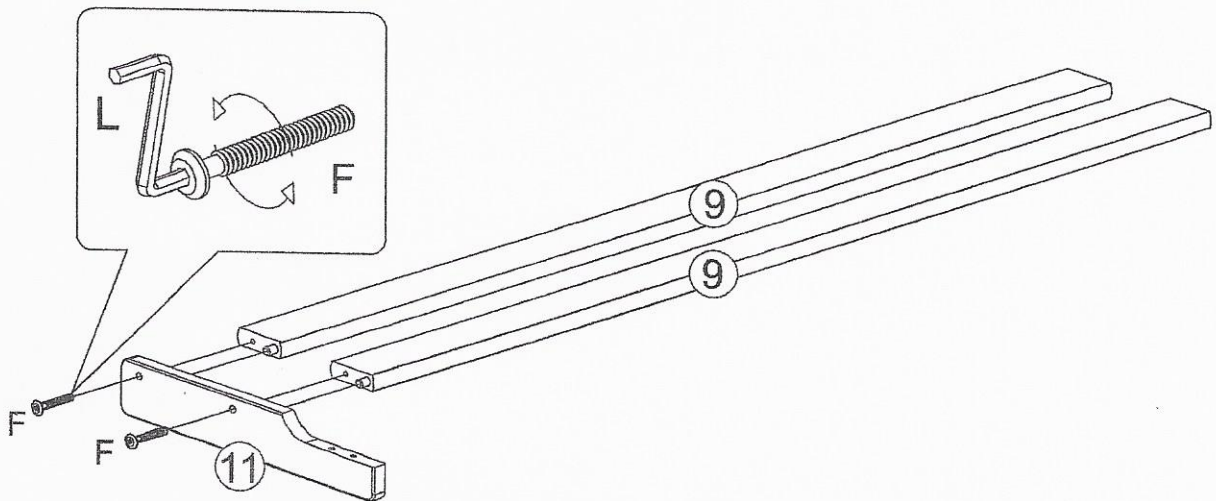
B  Qty **04**
1/4" Half Moon

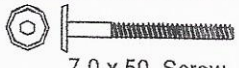
L  Qty **01**
Hex Screwdriver


C  Qty **06**
7,0 x 80 Screw

04

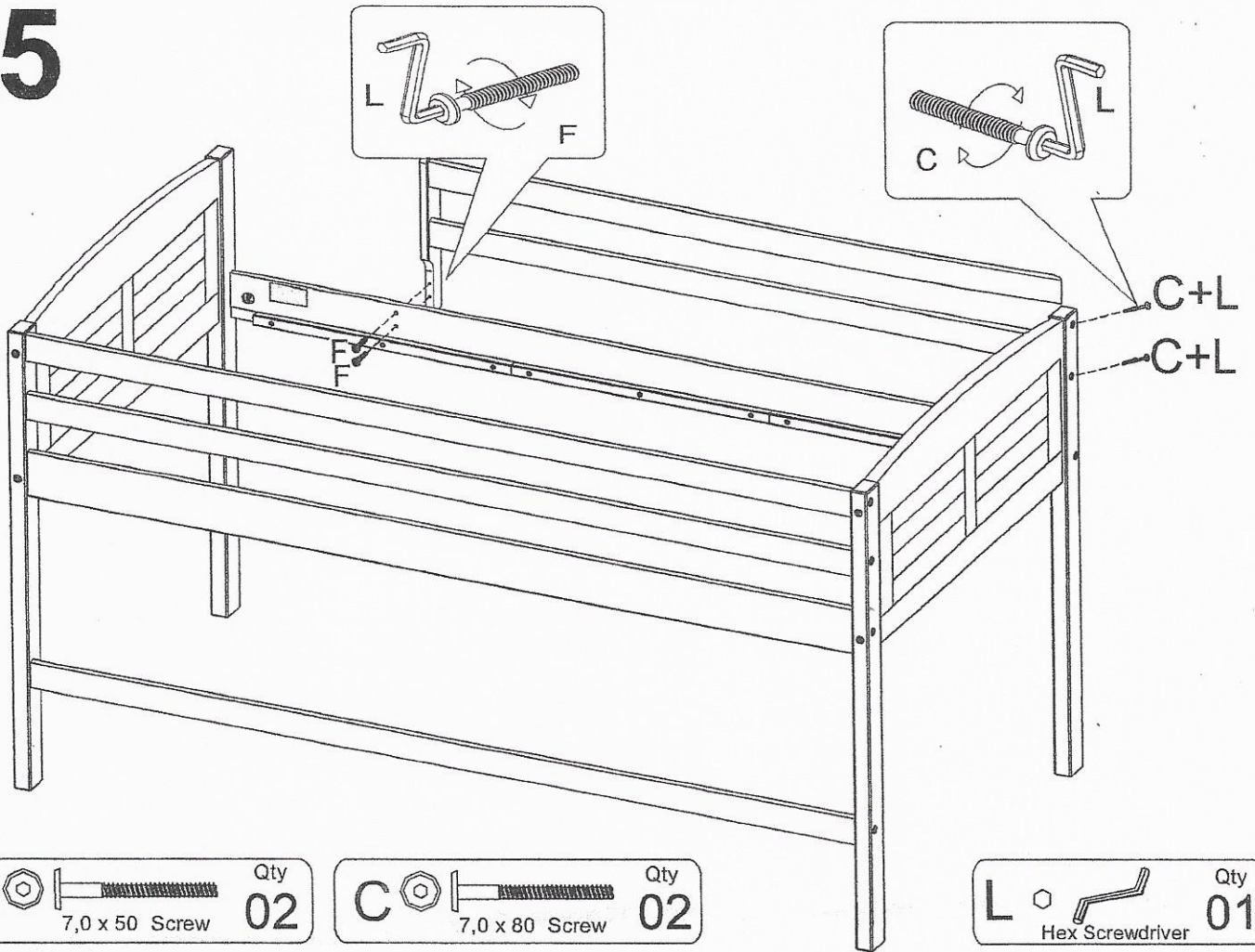
FRONT GUARDRAILS

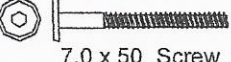


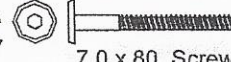
F  Qty **02**
7,0 x 50 Screw

L  Qty **01**
Hex Screwdriver

05



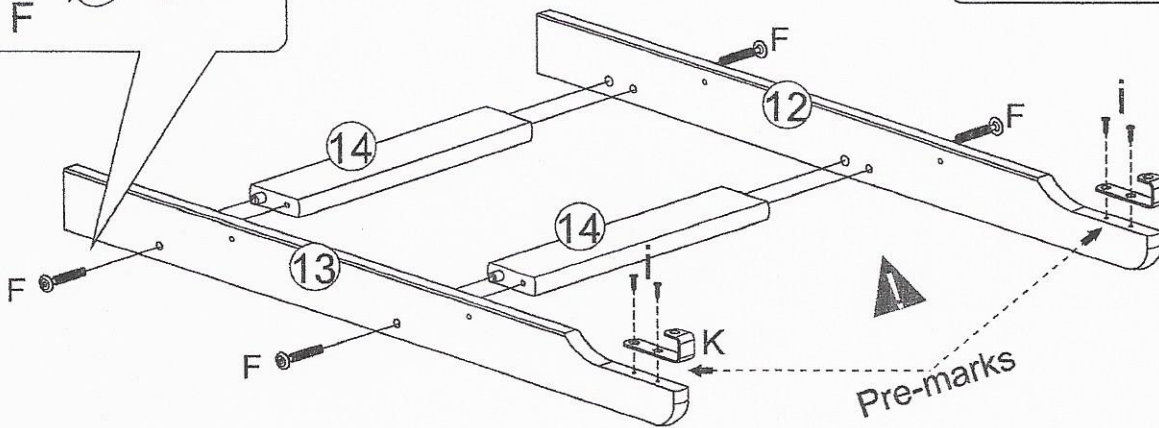
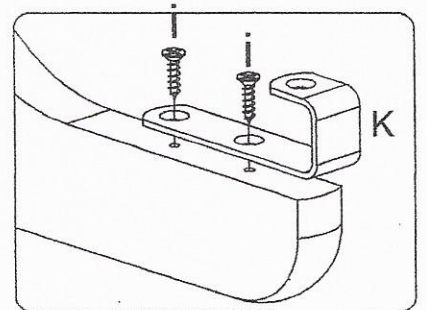
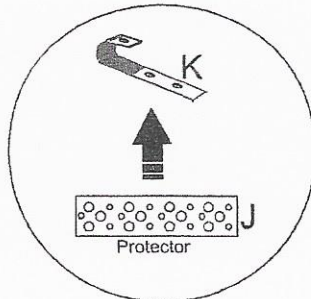
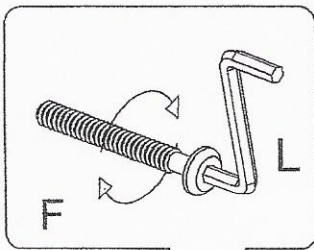
F  Qty **02**
7,0 x 50 Screw

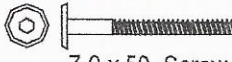
C  Qty **02**
7,0 x 80 Screw

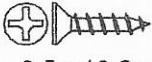
L  Qty **01**
Hex Screwdriver

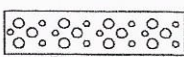
06


LADDER




F  Qty **04**
7,0 x 50 Screw

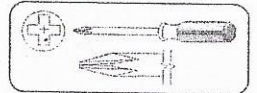
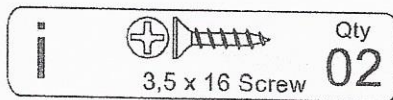
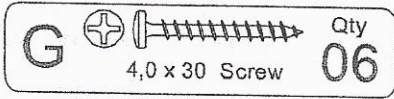
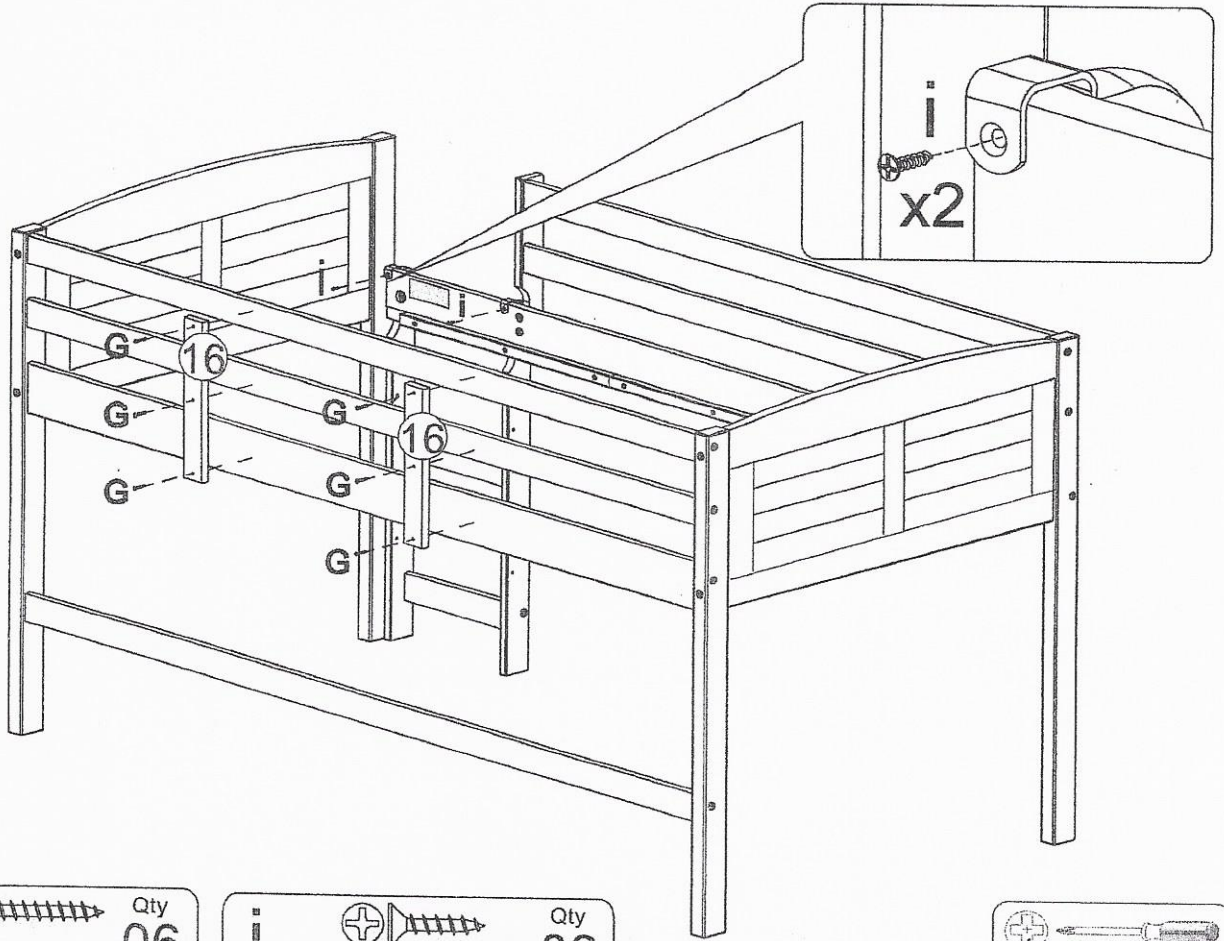
i  Qty **04**
3,5 x 16 Screw

J  Qty **02**
Protector

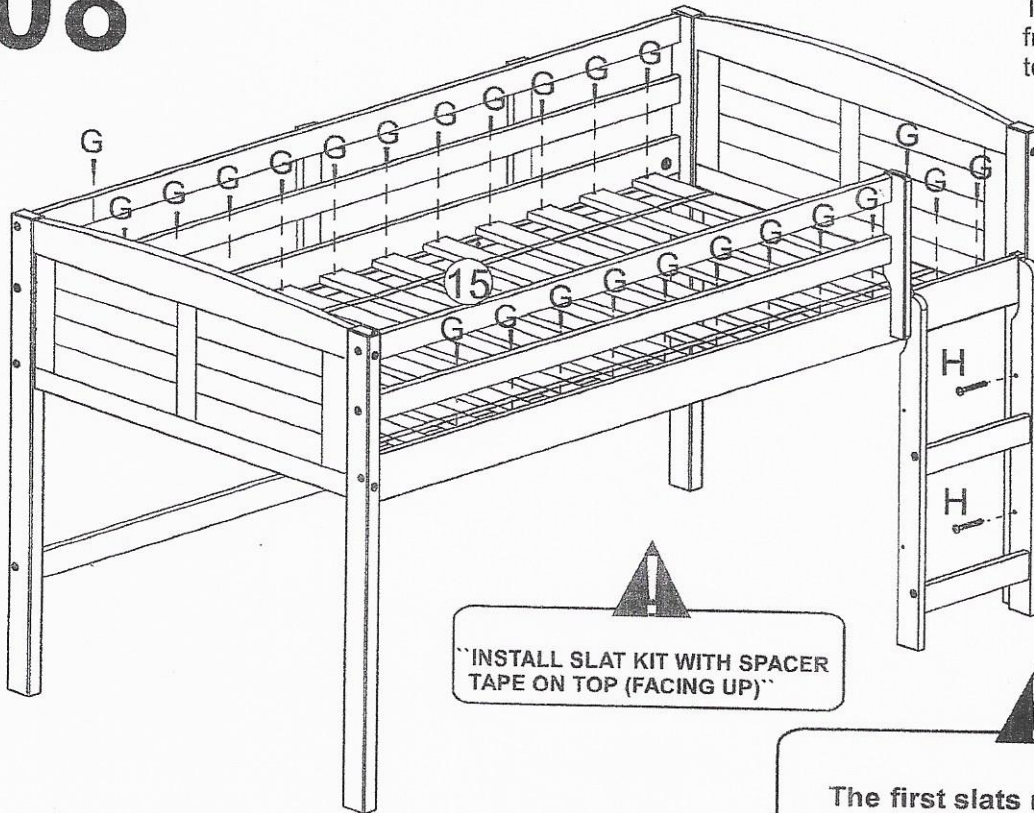
K  Qty **02**
Hook Ladder

L  Qty **01**
Hex Screwdriver

07



08



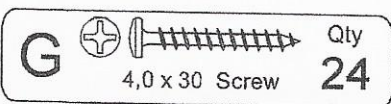
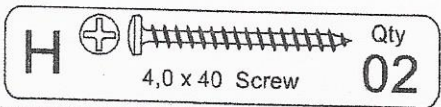
Attention

There must be a least 5" inches from top surface of mattress to top edge or guardrails.

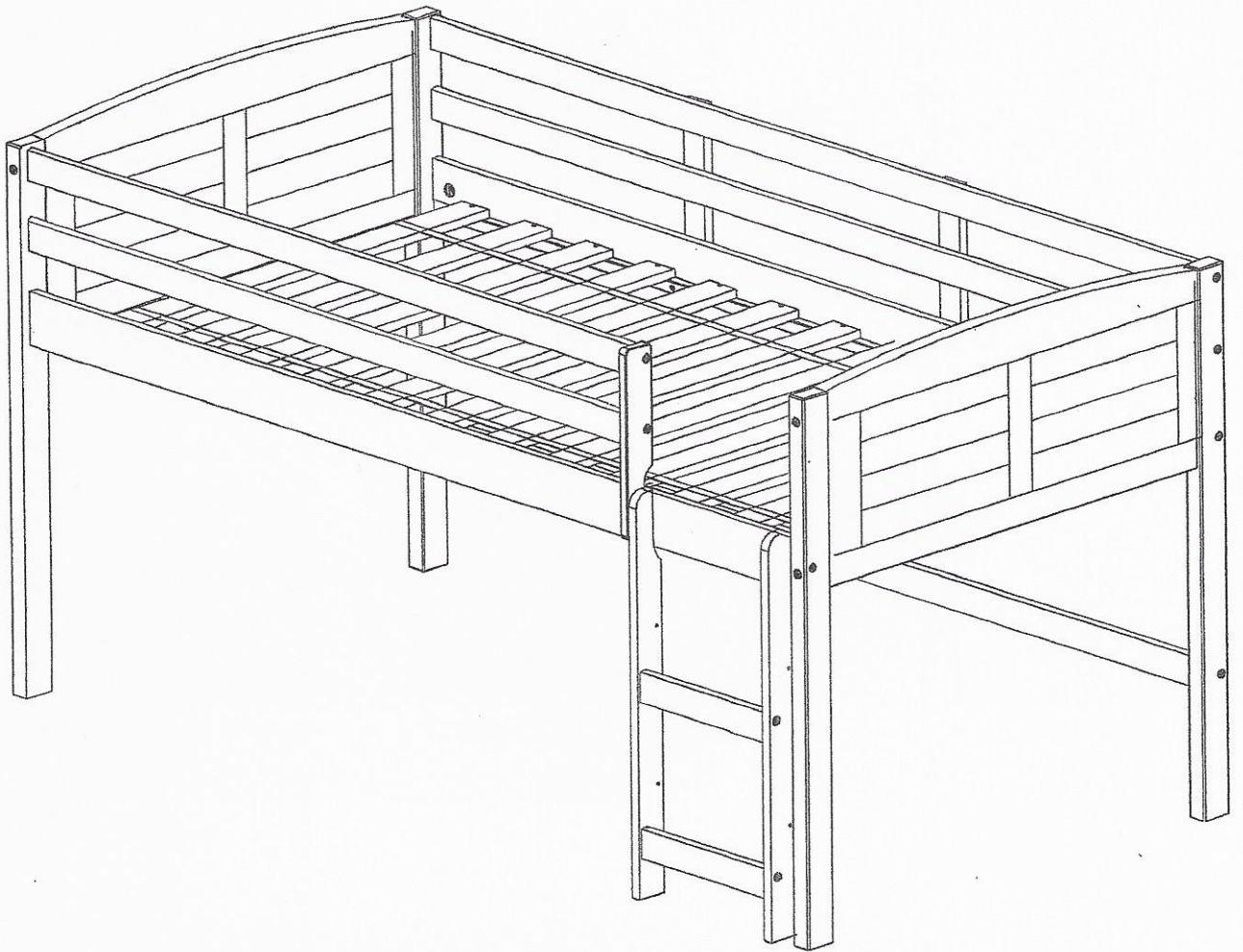
"MATTRESS 8" HIGH LIMITED"

INSTALL SLAT KIT WITH SPACER TAPE ON TOP (FACING UP)

The first slats must be fixed at 3" from each headboard end.

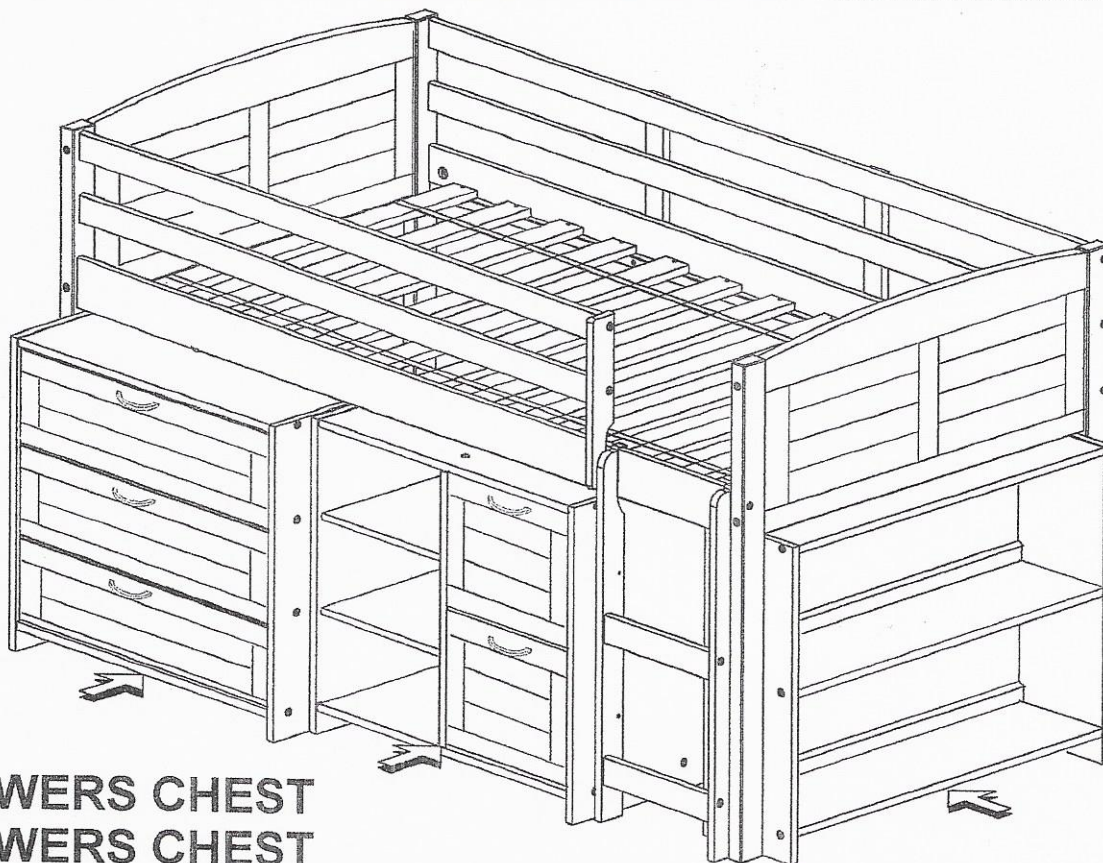


RIGHT

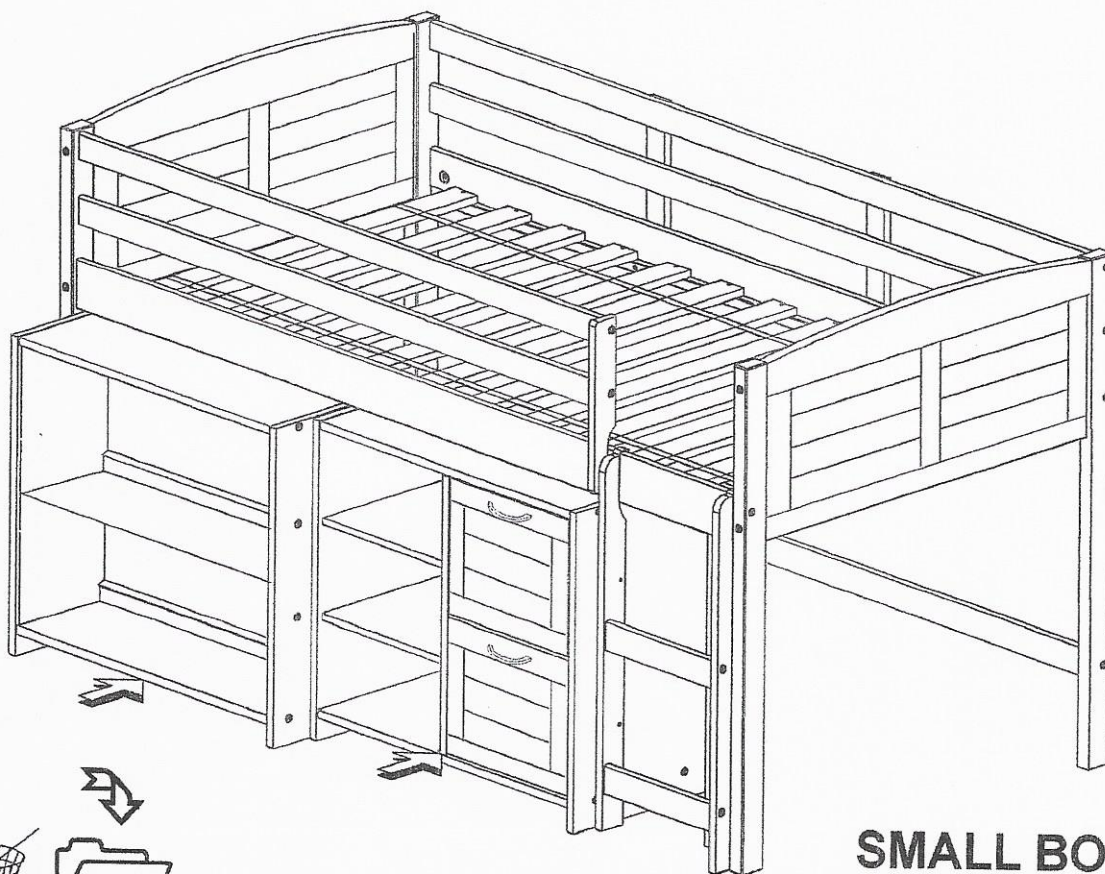


BED ONLY

OPTION COMPONENTS



**3 DRAWERS CHEST
2 DRAWERS CHEST
HEADBOARD BOOKCASE**



**SMALL BOOKCASE
2 DRAWERS CHEST**

