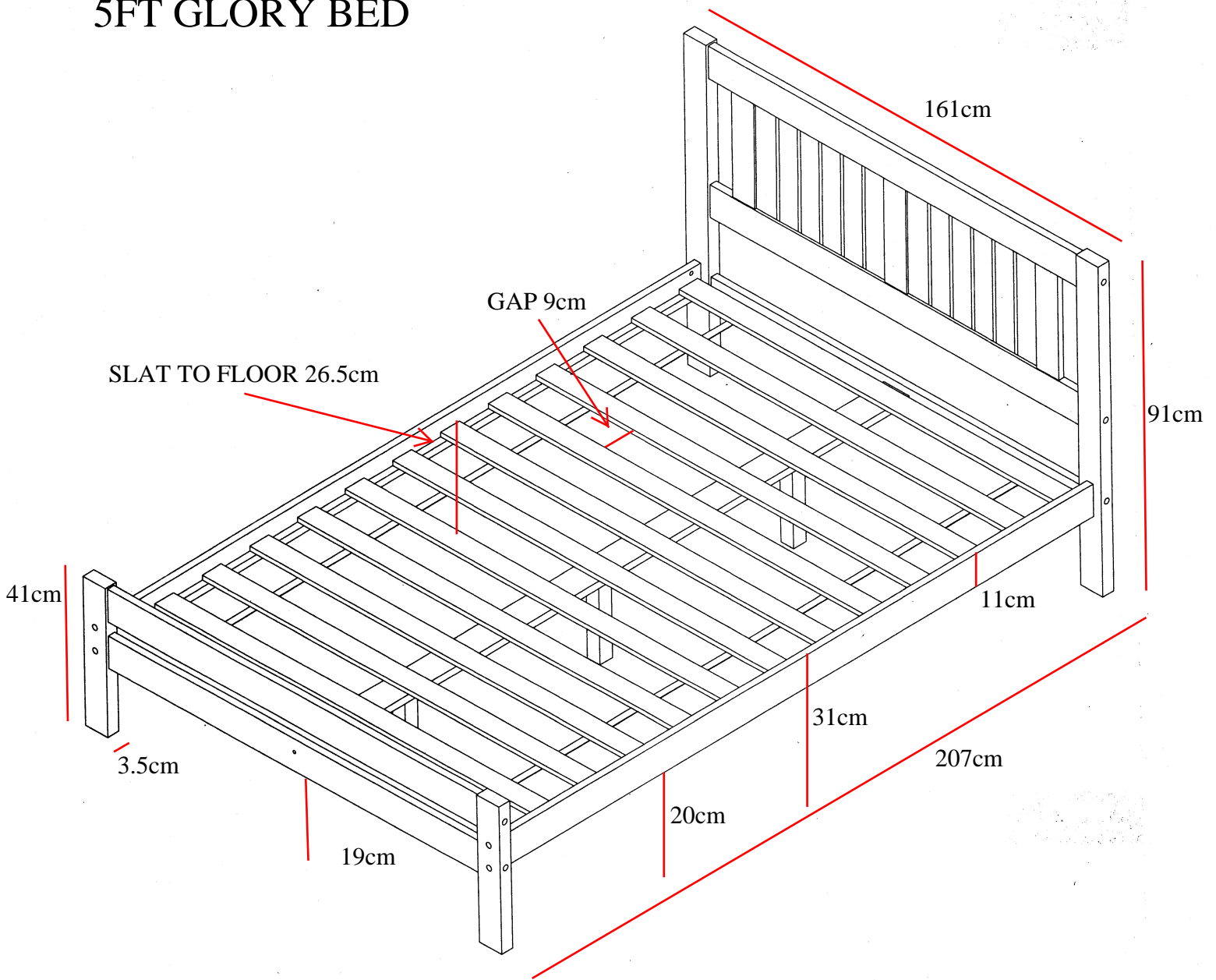


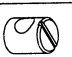


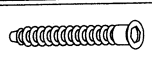




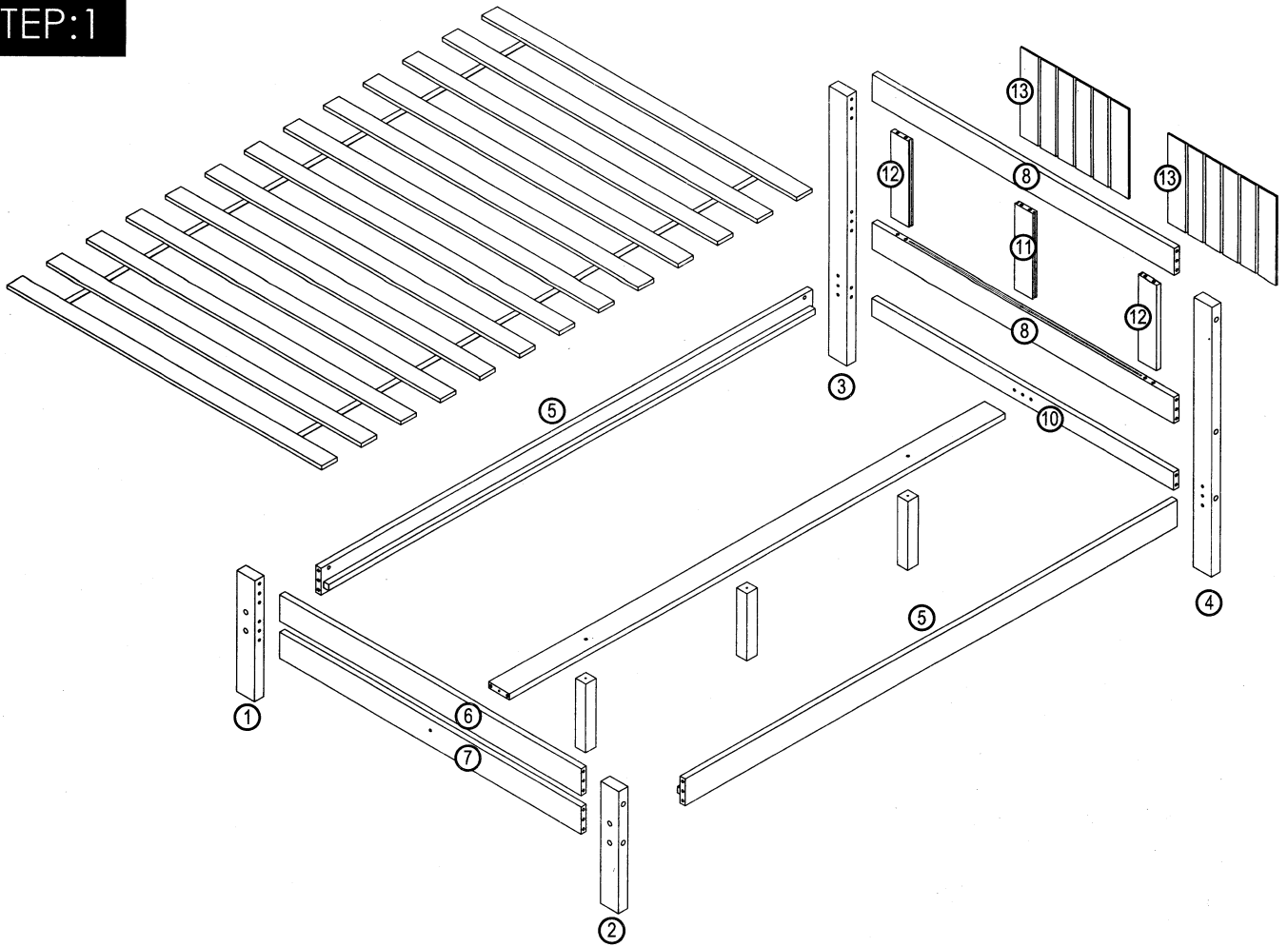


# 5FT GLORY BED

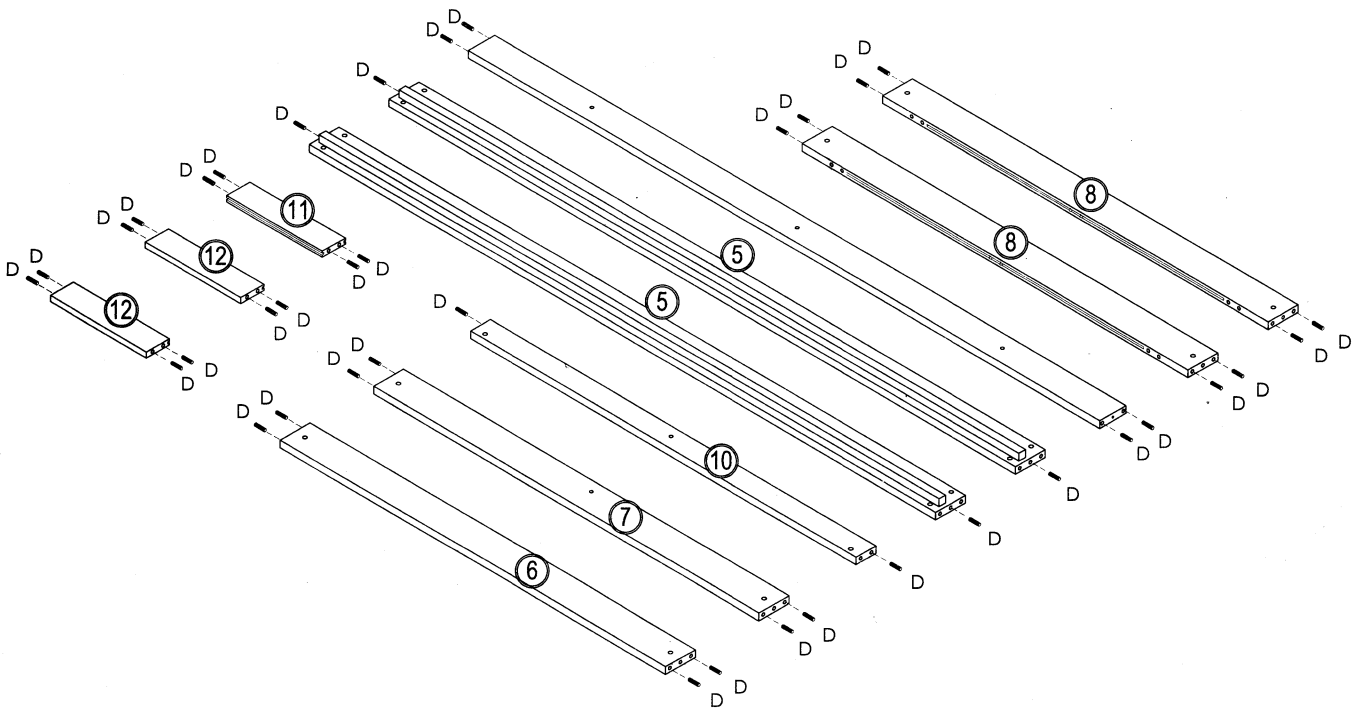



A		M6*100	10
B		M6*70	8
C			18
D		Φ8*30	38
E		Φ6*70	2
F		Φ7*50	3
G		4*30	26
H		Φ12	2
J		Φ15	18
K		4 mm	1

STEP:1

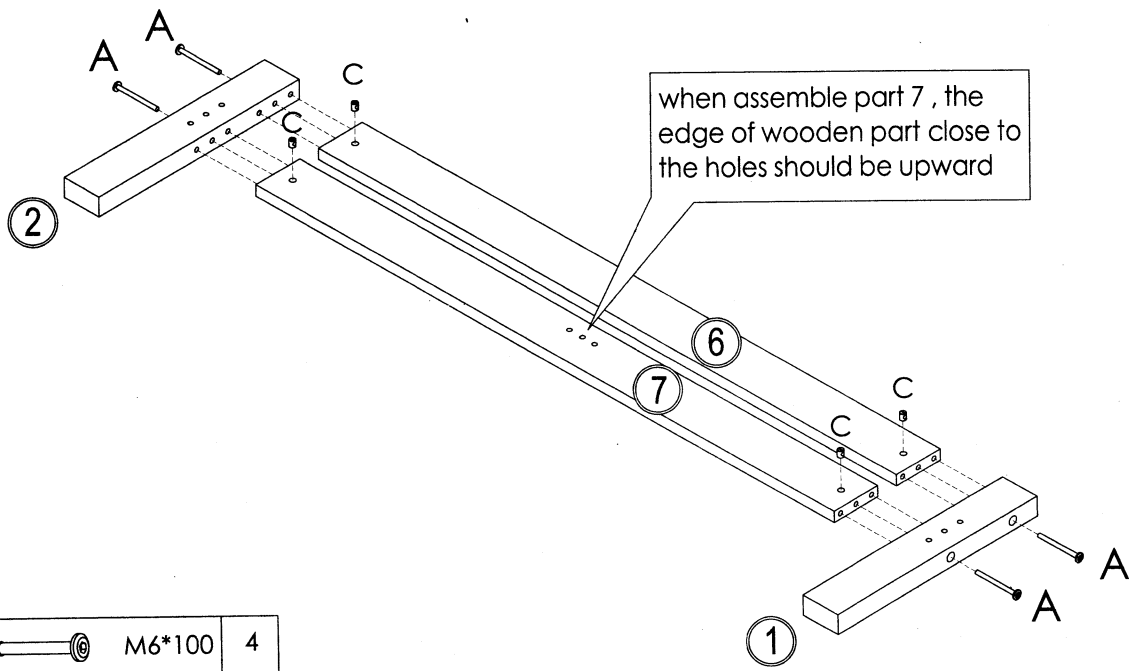




STEP:2



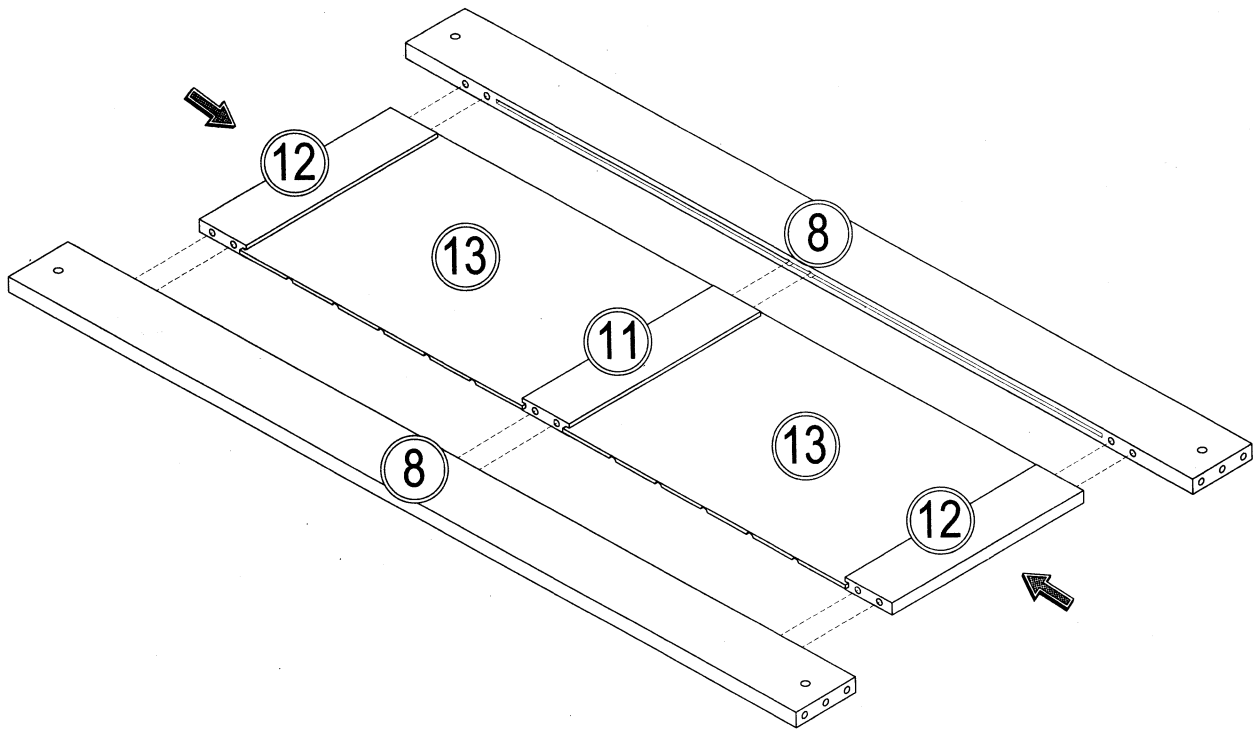
D		Φ8*30	38
---	---	-------	----

# STEP:3



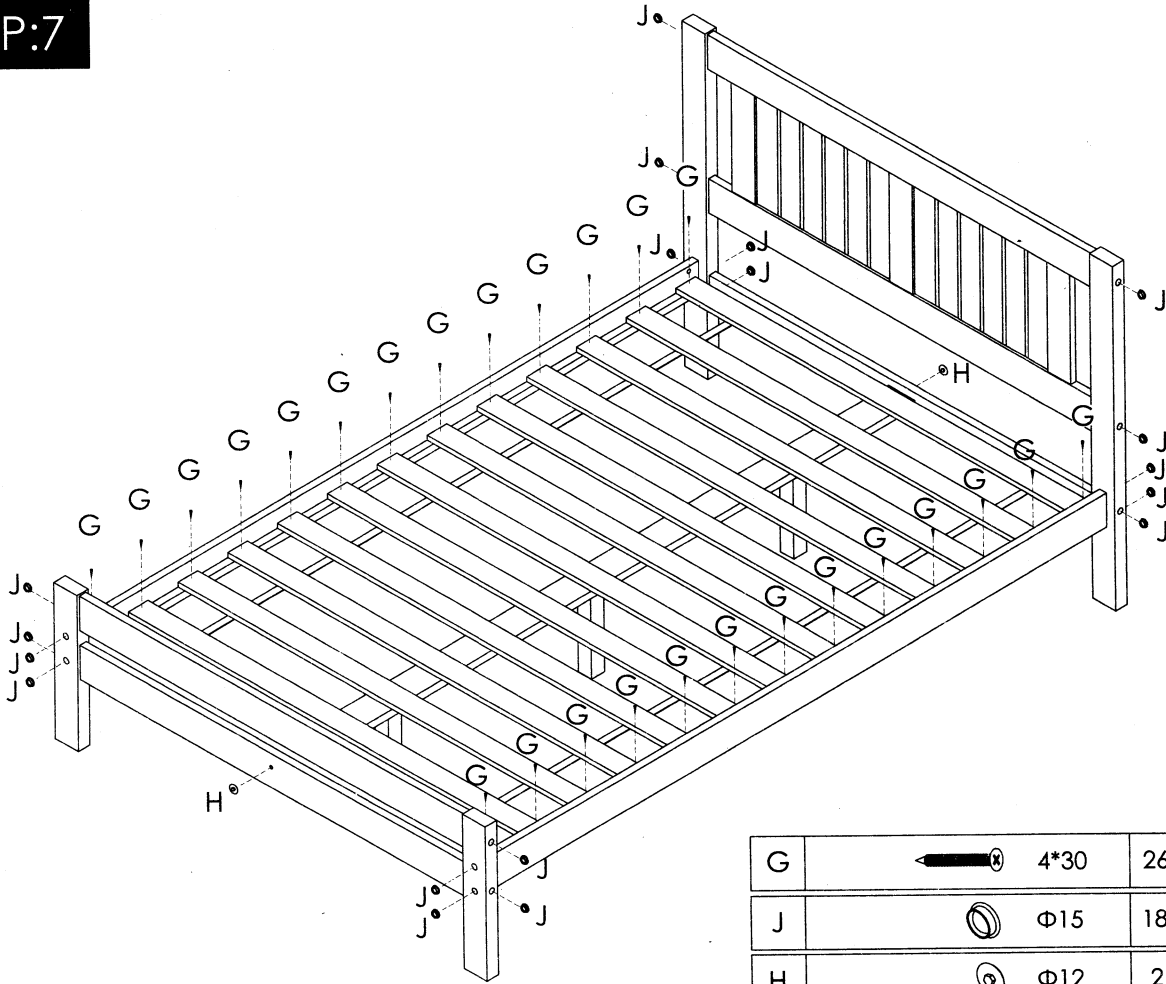
A		M6*100	4
C			4




# STEP:4





STEP:7



G		4*30	26
J		Φ15	18
H		Φ12	2

