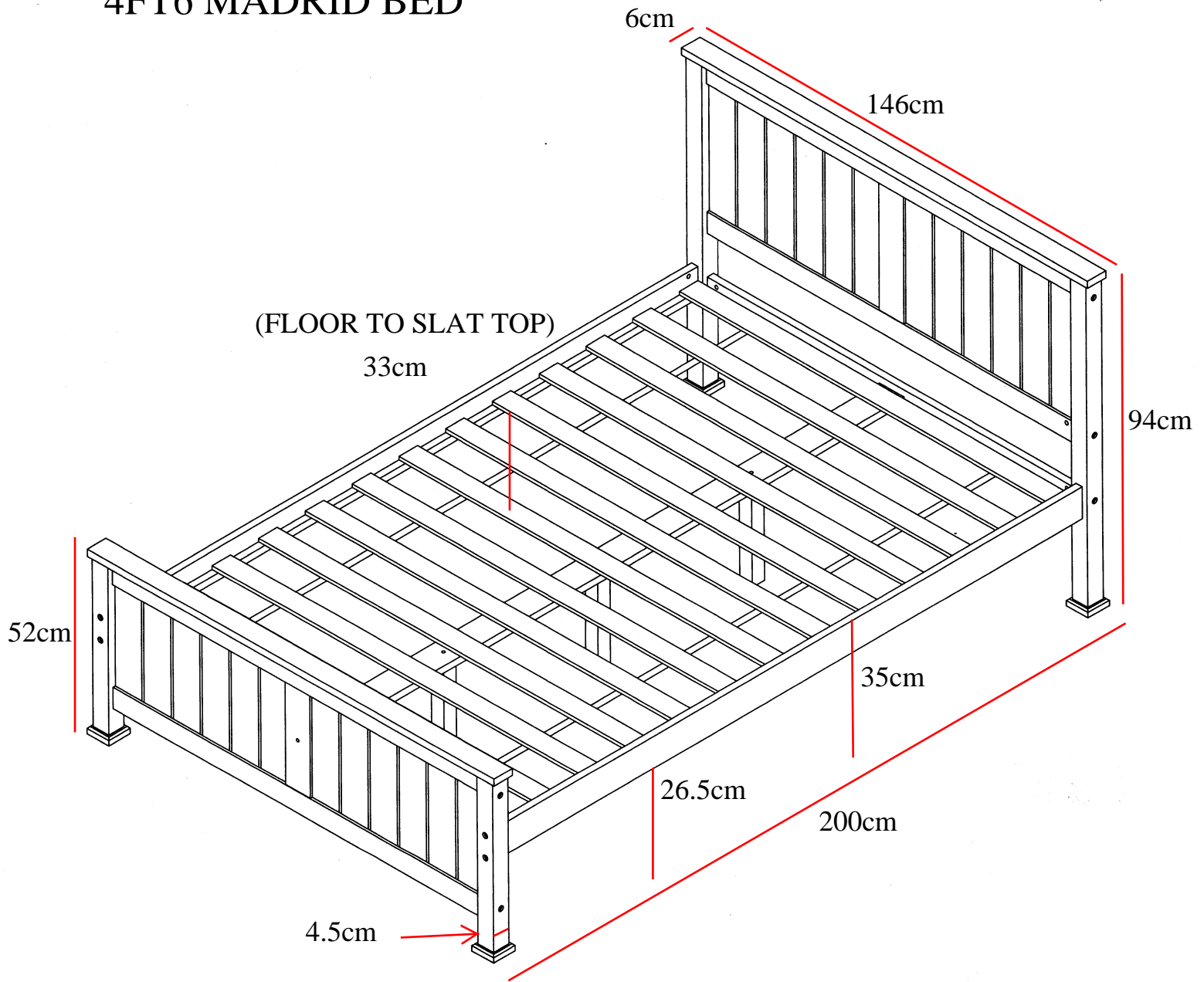




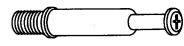
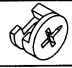






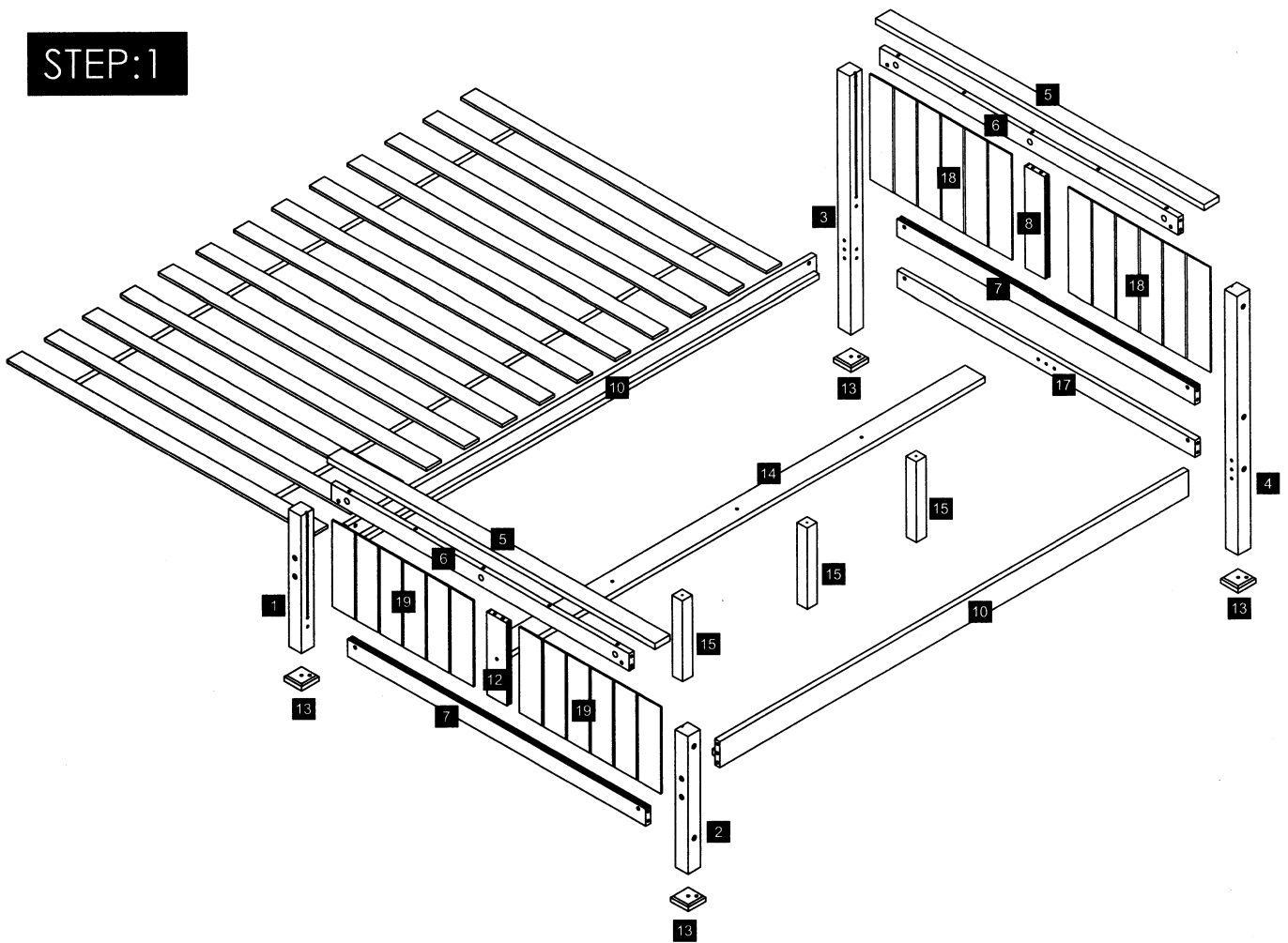
4FT6 MADRID BED



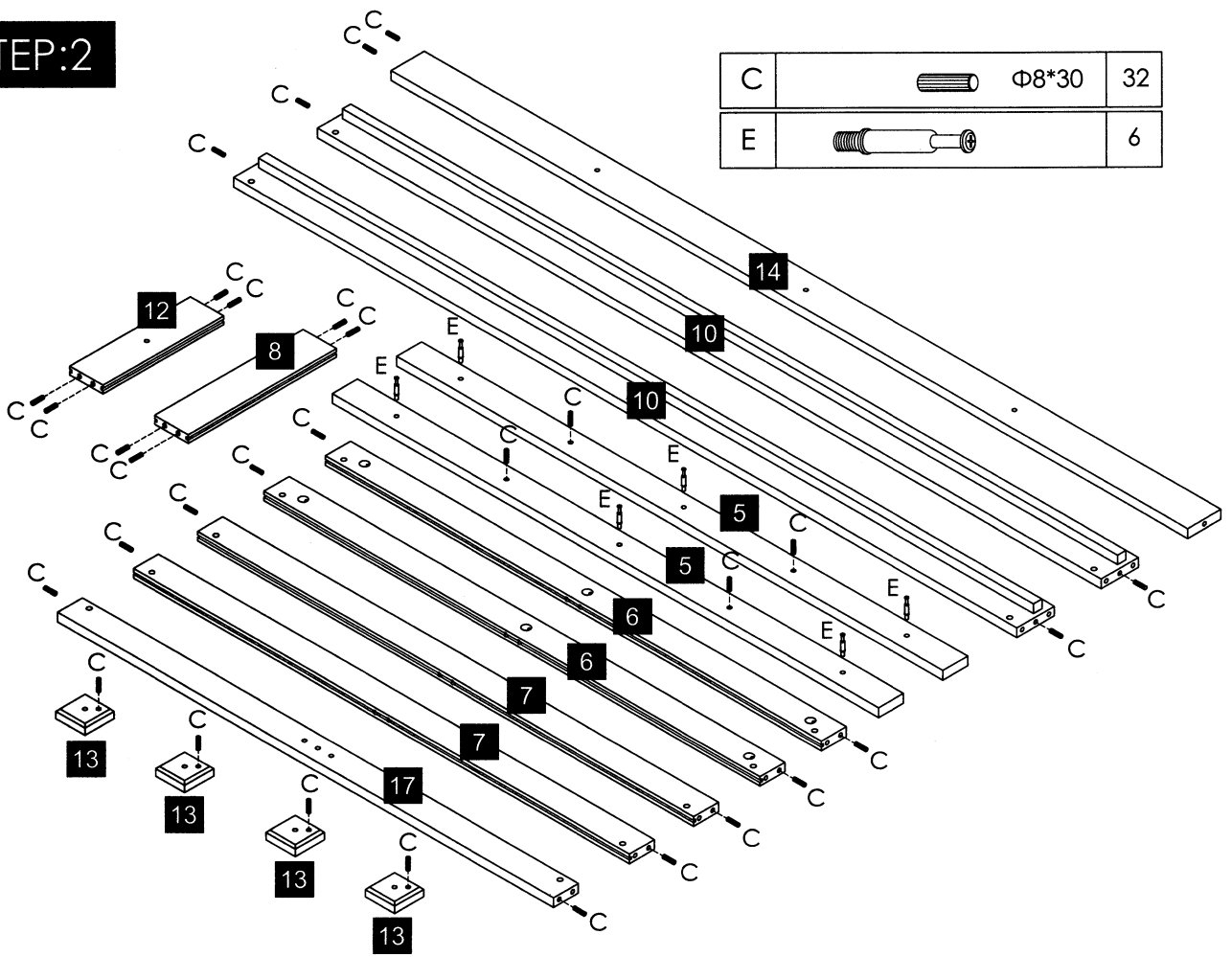
A		M6*90	18
B			18
C		Φ8*30	32
D		Φ7*50	9
E			6



F		1510	6
G		4*30	26
H		Φ12	2
J		Φ15	24
K		4 mm	1

STEP:1

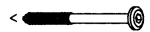





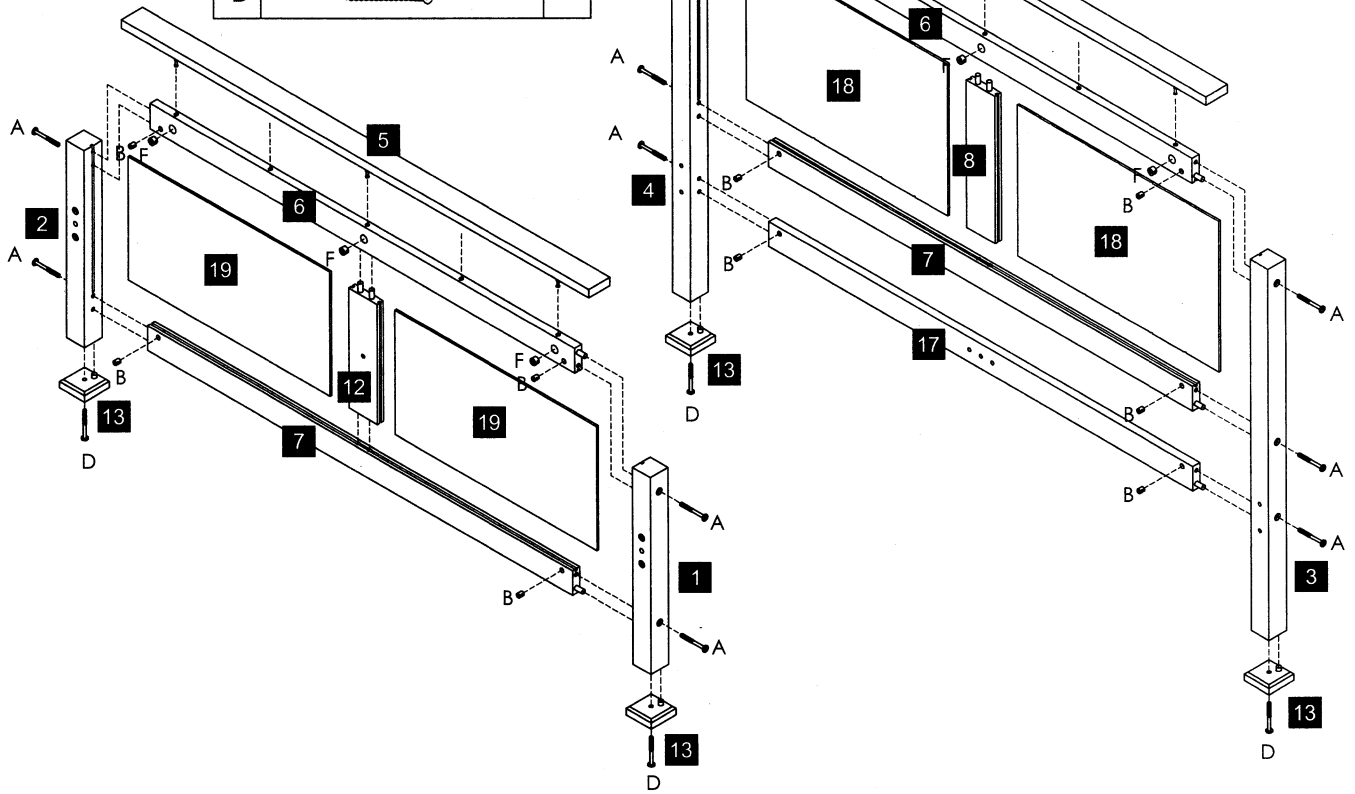
STEP:2



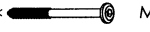
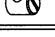

C		Φ8*30	32
E			6

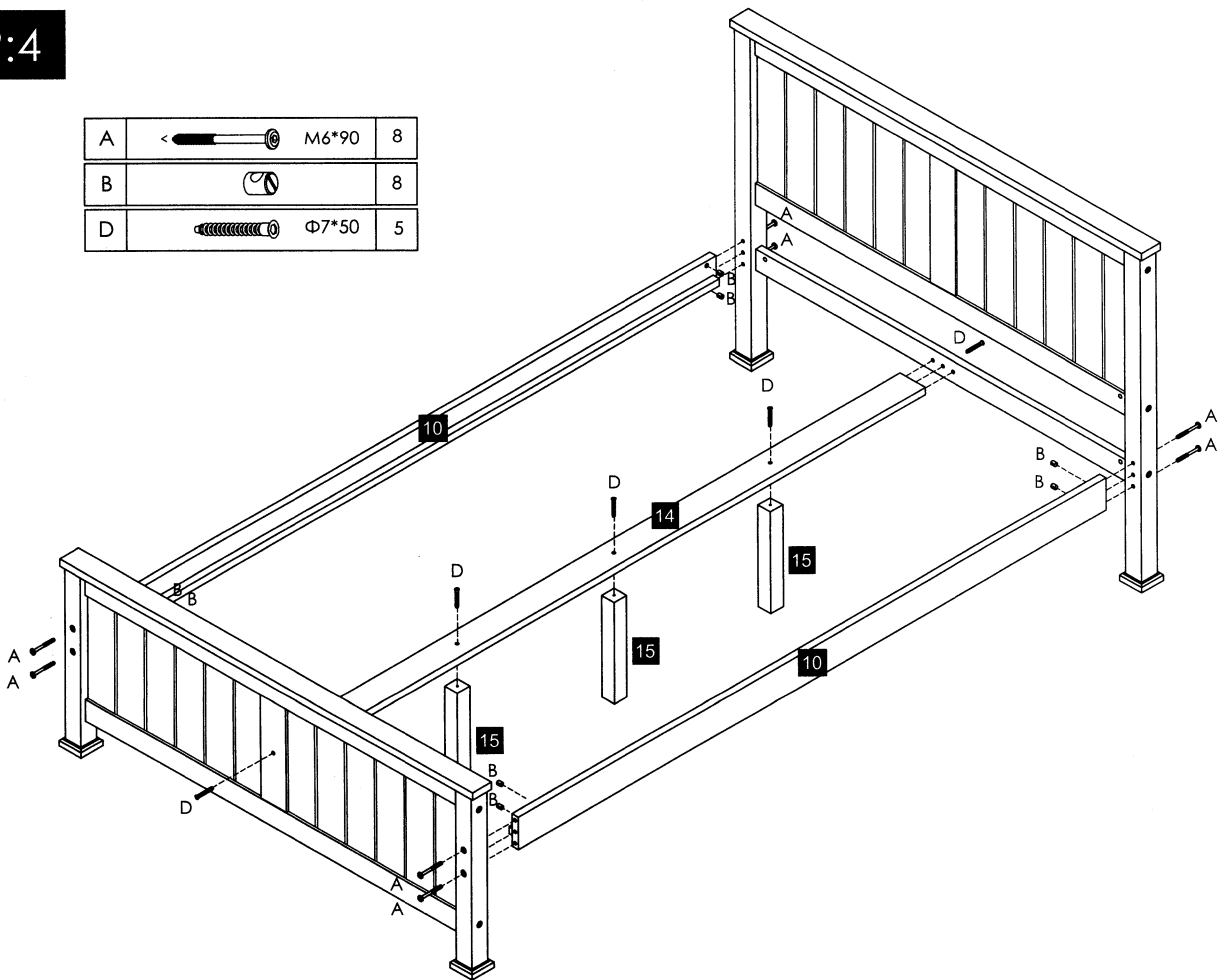
STEP:3

A		M6*90	10
B			10
F		1510	6
D		Φ7*50	4






STEP:4

A		M6*90	8
B			8
D		Φ7*50	5



STEP:5

G		4*30	26
H		Φ12	2
J		Φ15	24

