

# HARDWARE KIT CIRCUIT BREAKER / SWITCH COPPER OR AL BUS BAR ANY TYPE OF PANEL

IDENTIFY YOUR PANEL | CIRCLE NUMBER OR LETTER | PUT DIMENSION IN CIRCLE

TYPE OF C/B OR SW \_\_\_\_\_

TYPE OF PANEL MFG \_\_\_\_\_

ORDERED BY \_\_\_\_\_

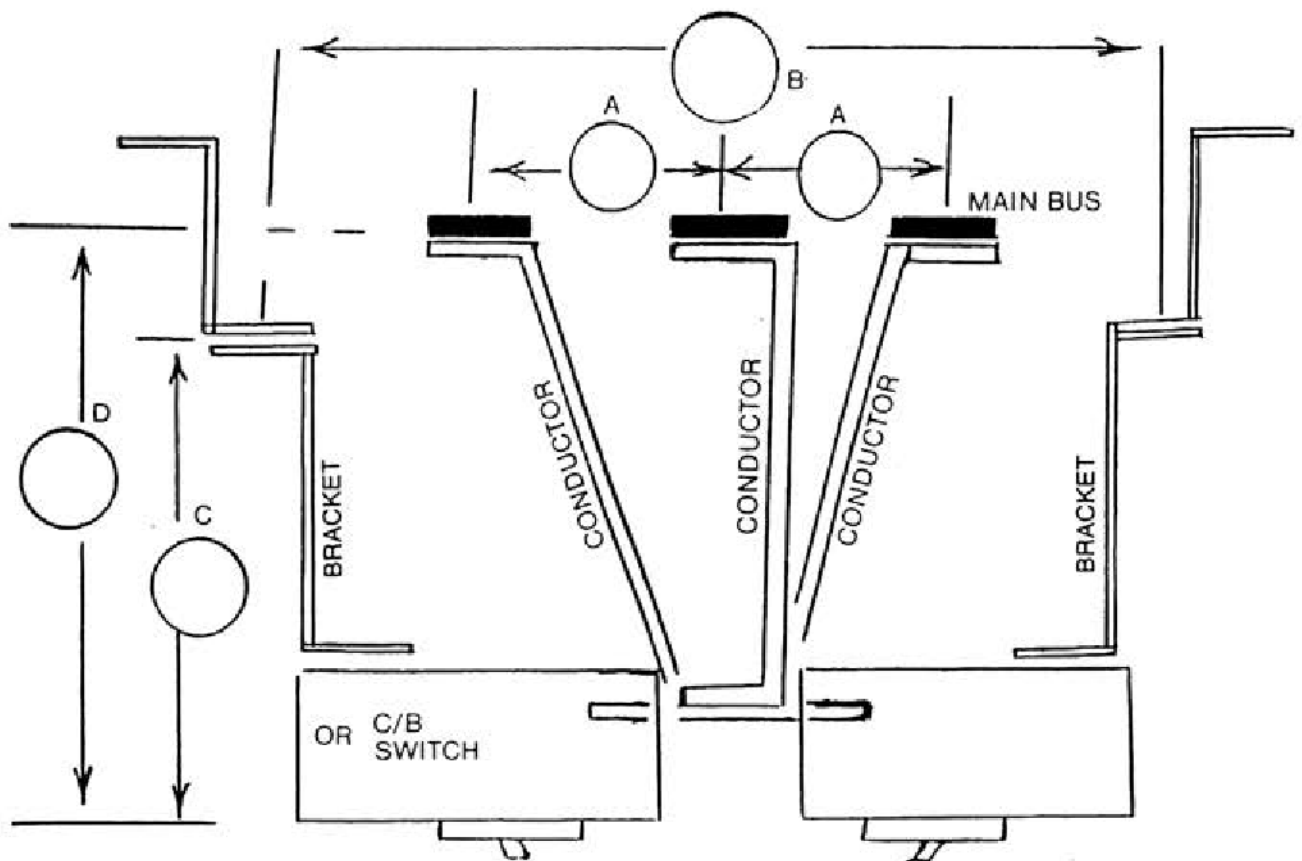
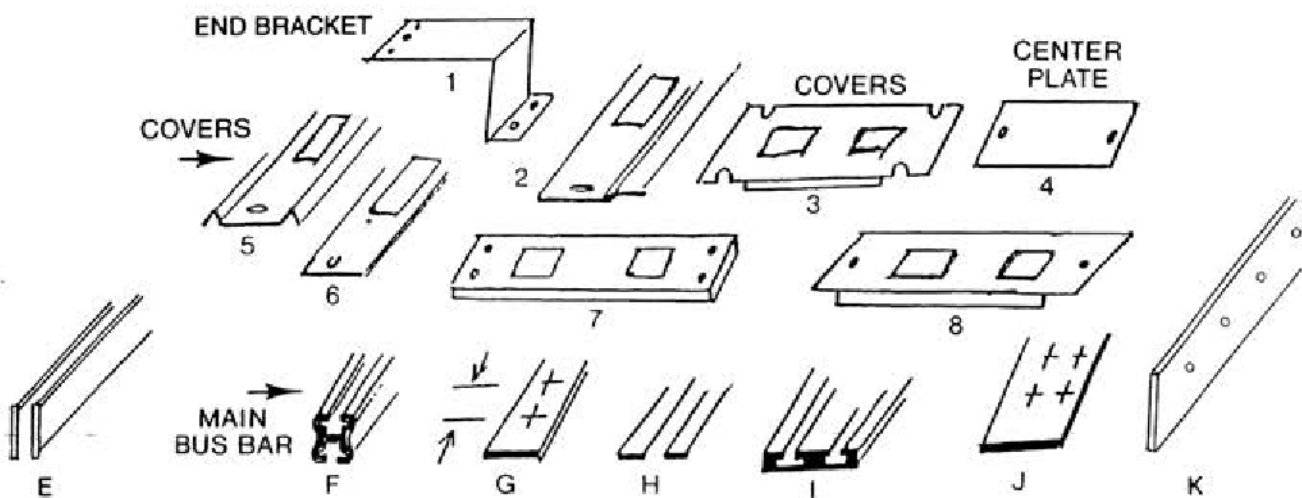
DATE OF ORDER \_\_\_\_\_

DATE REQUIRED \_\_\_\_\_

ORDER NUMBER \_\_\_\_\_

WILL CALL  UPS \_\_\_\_\_

QUN KIT \_\_\_\_\_



1  
2  
3  
4  
5  
6  
7  
8  
9  
10