

USER MANUAL

KINGKRAFT CHANGING TABLE

Model.....

Serial No.....

Delivery/installation date.....

IMPORTANT SAFETY INSTRUCTIONS

Please read these instructions carefully before first using your Kingkraft product, and then keep them safely for future reference. Please also make sure that each person and any carer who uses the bath is also aware of their contents and follows the instructions each time they use the unit.

The logo for Kingkraft, featuring the word "Kingkraft" in a bold, serif font. The letters "K", "I", "N", "G", "K", "R", "A", "F", "T" are arranged in a way that they appear to be stacked or overlapping, with the "I" and "N" being smaller and positioned between the "K"s. The "G" is also smaller and positioned between the "K"s. The "K", "R", "A", and "F" are larger and positioned at the bottom of the stack. The "T" is also larger and positioned at the bottom right. The logo is rendered in a dark grey color with a slight shadow effect.

26D Orgreave Crescent, Dore House Industrial Estate, Sheffield, S13 9NQ

tel: 0114 269 0697

fax: 0114 269 5145

e-mail: info@kingkraft.co.uk url: www.kingkraft.co.uk

CONTENTS

KINGKRAFT CHANGING TABLE

IMPORTANT SAFETY INSTRUCTIONS

OPERATING INSTRUCTIONS

LIFTING FRAME OPERATIONS

BASIC ELECTRICAL CIRCUITS ON UNIT

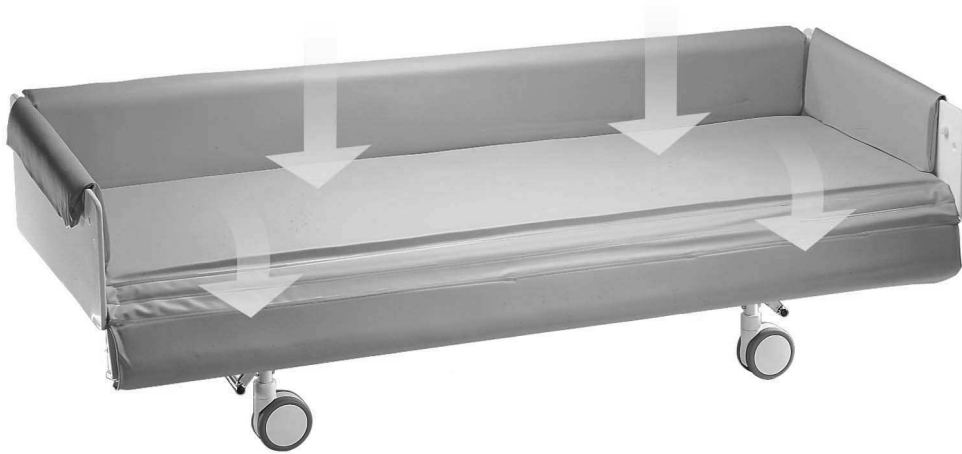
CHANGING TABLE MARKINGS

MAINTENANCE + RECORD OF UNIT MAINTENANCE

GUARANTEE DETAILS

THE KINGKRAFT CHANGING TABLE

Mobile Variable Height Version Shown



IMPORTANT SAFETY INSTRUCTIONS



WARNING: Any person who is incapable of fully helping themselves must NEVER be left alone on the table even for the shortest of periods.

This manual contains information for all standard versions of the Kingkraft Changing Table. Special design versions manufactured by Kingkraft may differ to those described herein. Separate instructions for these models may be required. Please consult Kingkraft Ltd. These instructions also cover the range of different fixed height and manual and powered raise/lower frames which may be used with the Table. Please make sure you read all the sections relevant to your particular model of bath.

If you have any doubt about the safe operation of the Changing Table please contact Kingkraft immediately for advice.

- Do not stand in the Table when it is in the raised position or at any other time
- Kingkraft products are intended for domestic and commercial use only.
- Kingkraft Changing Tables are intended only for lifting and use when dressing / undressing people.
- Do not exceed the maximum loading marked on the unit chassis.
- Only one person should be in the unit at any one time.
- If fitted, the raise/lower control handset is waterproof but should not be put into the water. However, if it is accidentally dropped remove it immediately and wipe dry. Do not leave the handset underwater.

Note that UK regulations require that, in general, no person should lift a mass of greater than 25kg unaided. Use appropriate lifting equipment if this is required to help disabled people to get in and out of the unit.

The Table must be installed by competent installers.

Your Kingkraft Changing Table itself should be serviced at least once per year by a competent individual. The Table must be cleaned and disinfected regularly according to the instructions given herein.

Ensure that the safety notices which accompany your Table are properly displayed at all times. Make sure they are replaced if they become damaged or defaced. Contact Kingkraft if you need further supplies of laminated notices.

Certain bath additives may damage the plastic, if they contain bleach or other corrosives, from which your product is made. Use only water, normal soaps and approved cleaning agents. If in doubt, please contact Kingkraft for advice about the suitability of the additives you wish to use.

Under no circumstances must acid or bleach based cleaners be used. To do so invalidates your guarantee. We recommend that your Kingkraft Changing Table should be cleaned with Trigene® which is available from us. See the section on cleaning below for instructions on how to safely and completely clean your unit.

The charger unit for charging the battery system for raising and lowering the frame (if fitted) should be installed by a competent individual in a clean dry room away from interference. The unit should be disconnected from the mains prior to cleaning which should be confined to wiping with a dry cloth.

Do not use pressurised water jets to clean the Table chassis and keep water jets away from the controls when cleaning around the Table. Do not steam clean.

Do not attempt maintenance unless the Table is empty.

Check the Table frequently for damage. If you find signs of damage, do not use it and contact Kingkraft as soon as possible to arrange for service and repair.

Operating instructions

Changing Table -

To lower the side

- Turn handle
- Push the side down

To lift the side

- Push or pull the side up
- Turn handle to locked position

Table mattress -

To secure mattress

- a) Ensure that the table bottom and mattress is clean
- b) Place mattress on bottom of table
- c) Press the mattress firmly on to the bottom of the trolley and secure on velcro fixings.

When removing the mattress for cleaning take care that the velcro is secured carefully from the table to avoid a tearing action.

Cleaning your Changing Table

The Changing Table is made from Polypropylene plastic and requires only a very mild non-abrasive cleaning agent to keep it clean. Backrests can be removed for cleaning by simply being lifted clear.

Under no circumstances must acid or bleach based cleaners be used to clean this product. To do so invalidates the guarantee

Kingkraft recommend that your Kingkraft Changing Table should be cleaned with TRIGENE[®] which is available from Kingkraft in ready to use 500ml trigger sprays or concentrated in 1ltr. and 5ltr. sizes. Always follow the instructions of the Trigene containers.

A sample TR101 trigger spray may be included with a new table

General cleaning / disinfection

Use Trigene[®] trigger spray TR101 pre diluted to 1:10

As Trigene[®] is considered safe and non-corrosive it can be used on every area of the Trolley and accessories. Trigene[®] presents no hazard to the user in normal use.

Leave for five minutes before rinsing off.

Lifting-frame for raising and lowering the Changing Table

Kingkraft manufacture different models of lifting frame for the Changing Table in manual & battery versions. In addition a special frame can be specified which requires only minimum clearance at each end during the lifting process. This version is designated a vertical rise frame and is typically used when there is limited space available, eg. in an alcove position. Please carefully read the instructions which apply to your model. (Fixed height frames are also manufactured).

When the lifting frame is moving, the maximum load noise, 1 metre away, does not exceed 65 dBA. Please carefully read the instructions which apply to your model. Maximum working load is 130Kg, including user, mattress and other accessories.

Manual foot-pedal operated models:

To raise the table:

Pump the “raise” pedal fully up and down to desired height first taking care that the raising operation will not trap anybody or damage adjacent equipment.

To lower the table:

Press “lower” pedal down until desired height is reached, similarly first checking that the lowering operation will not cause damage to individuals or adjacent equipment.

Battery Powered Frame models:

General

The battery powered system uses a 24 Volt rechargeable battery which drives a linear actuator. A removable battery is supplied with the system together with a wall mounted charger which is to be installed by a competent person in a safe dry area.

To operate the raise/lower function

Firstly check that the proposed operation will not cause damage to nearby equipment or injury to personnel. Press the buttons on the hand set to raise or lower the unit as required. Releasing the button will stop the operation. (If the unit is fitted with the additional feature of a red emergency stop button, this may also be activated to cause an immediate stop. The unit will not operate until the emergency stop button has been reset) - this is done by twisting it until it clicks out.

To remove and recharge the battery

The battery clips on and off the mounting bracket on the frame by means of a release lever at the end of the battery. When the battery charge level falls to approximately 50%, the charge level indicator light will also show this, a warning buzzer may sound each time the unit is operated. At this stage the battery must be removed and recharged. This will ensure maximum battery life. To recharge the battery, simply unclip it and attach it to the wall mounted battery charger well away from the wet area and free from interference. A light will illuminate when the battery is charging and also indicate when charging is complete. (A further light on the charger indicates that it is connected to the mains).

An example of a control box and battery installed on a Changing Table lifting frame:

Note: Please check the emergency stop button is not engaged if the actuator does not operate when the handset is pressed.



Care of the unit

The system must not be overloaded. It is designed to operate with only one person at a time. Should overload occur, a cut-out may operate and the unit will not operate until the overload has been removed and the system has automatically reset itself, normally within a few seconds. Should gross overload occur, physical damage to the actuator or the trolley may occur and the unit may descend to its lowest point.

The unit should not be used if cabling or other components appear damaged.

The system is designed to operate in a bathing/showering area, but the components should not be submerged in water or subjected to pressure washing. Kingkraft recommend Trigene® for disinfection of the surfaces. The components should be dry before reusing.

Fault finding

If the system doesn't operate, please check as follows.

- Is the battery charged?
- Are all leads and connections fully engaged?
- Is the battery securely clamped in place?
- Has the emergency stop button been activated (if fitted)?

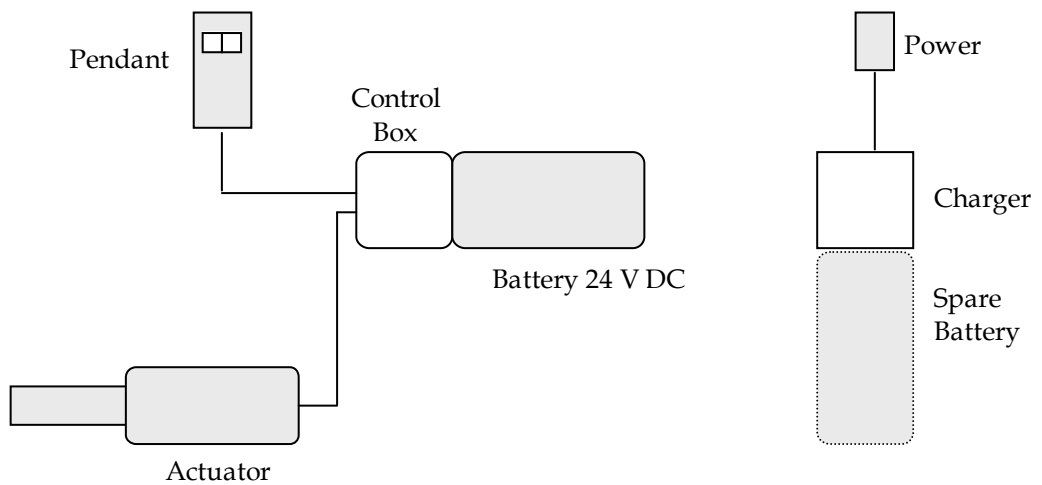
Should the above fail to correct the problem, please contact Kingkraft.

Below are diagrams representing all possible basic electrical circuits incorporated into the Changing Table

Do not attempt to open the electrical boxes.

Do not immerse the power cord in water or run over it /trap it with mobile devices.

Mobile Battery Lifting Frame –



SAMPLE CHANGING TABLE MARKINGS

The following are examples of markings found on the Changing Table.

Changing Table identity label –



Power / Actuator Label –



Open / lock handle direction –



MAINTENANCE

Most important for the Changing Table is simply a visual inspection to check that the unit is in safe working order.

If you find any faults with the unit, ensure they are rectified immediately and in any event before the table is next used. If in doubt about any repair procedure, please contact Kingkraft for advice or to arrange a service visit.

Record of unit maintenance Table No.

	Operation	Tick OK	Comments
1.	Check water path(s) clean		NA
2.	Let water flow into trolley and check for adequate operation of drain.		NA
3.	Check presence/legibility of warning notices		
4.	Check all labels on bath intact and legible		
5.	Check frame for excess corrosion		
6.	Check operation of TMV (S)		NA
7.	N/A		
8.	N/A		
9.	Check charger unit is operating correctly and is safe to use		
10.	Check all other wires and electrical enclosures for damage		
11.	Check pipes etc. for leaks		NA
12.	Check all knobs and handles securely attached		
13.	Check all controls easily operated (i.e. not too stiff).		
14.	Check operation of lifting mechanism		
15.	Check for unusual noises or vibration when raising/lowering table		
16.	With table empty and at top of travel, rock unit from side to side gently to check for loose fittings and instability.		
17.	Record date maintenance carried out		

18.	Record name of person carrying out inspection	
-----	---	--

GUARANTEE DETAILS

The Kingkraft Changing Table and its accessories are guaranteed in the U.K. for a period of twelve months from the date of delivery against defects arising from faulty material, inferior workmanship or construction.

The result of incorrect handling of the Changing Table shall not be covered by the guarantee.

In line with the company's policy of continual product improvement, we reserve the right to carry out improvements to the specification without notice.

WEEE (Waste Electrical and Electronic Equipment Regulations 2006)

The aim of this Directive is to minimise the impact of electrical and electronic equipment on the environment when products become waste. All electrical components on this product must be disposed of in accordance to the WEEE 2006 regulations, either through reuse, recovery, recycling or environmentally sound disposal.

If this Kingkraft product is at the end of its life or electrical parts are replaced during its life-cycle by people other than Kingkraft Engineers, please contact Kingkraft to discuss arrangements regarding the disposal of any of the electrical equipment.



26D Orgreave Crescent, Dore House Industrial Estate, Sheffield, S13 9NQ

tel: 0114 269 0697

fax: 0114 269 5145

e-mail: info@kingkraft.co.uk url: www.kingkraft.co.uk