

Seatara



WheelAble

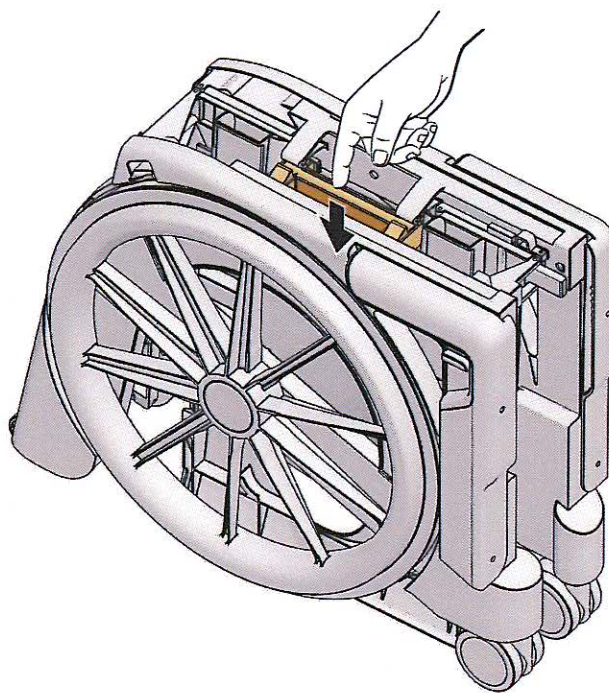
Be Spontaneous

USER MANUAL

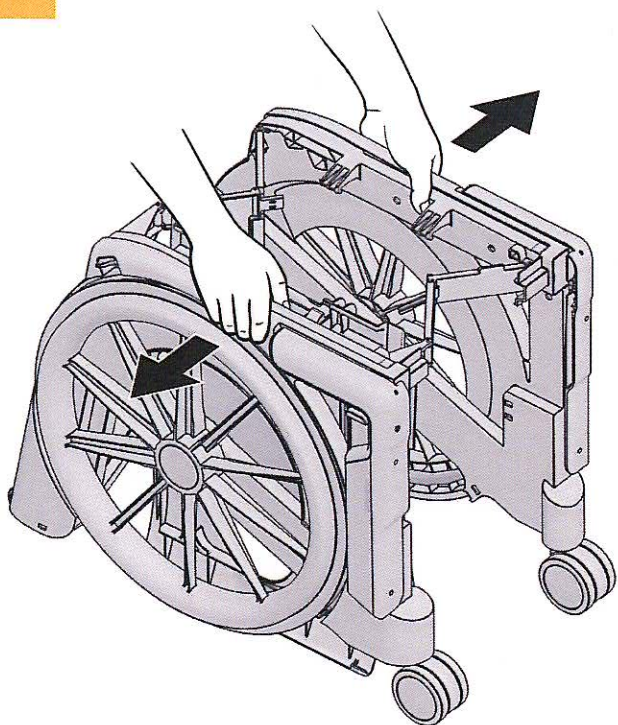
www.seatara.com

DEPLOYING

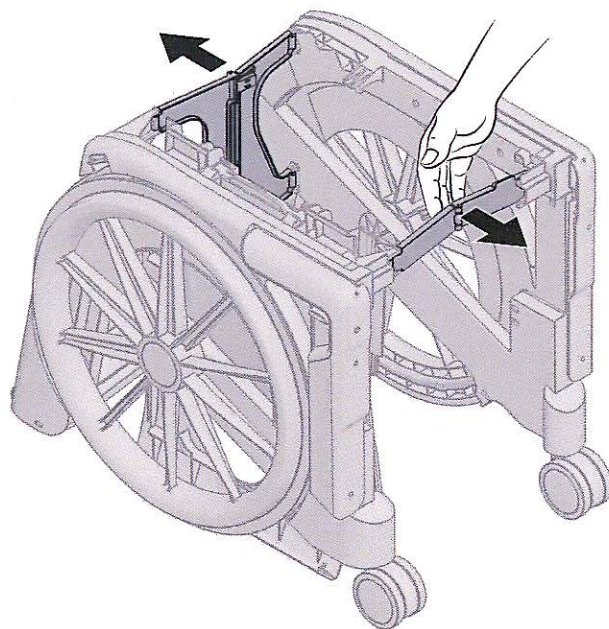
1



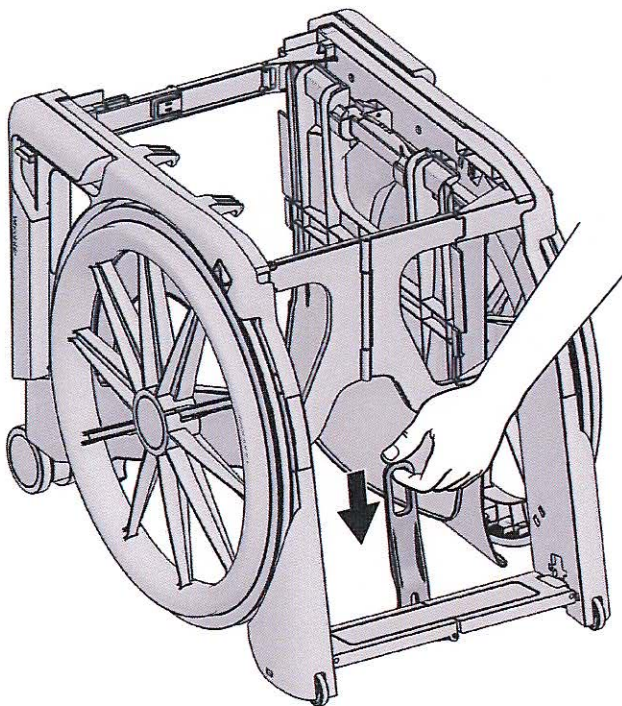
2



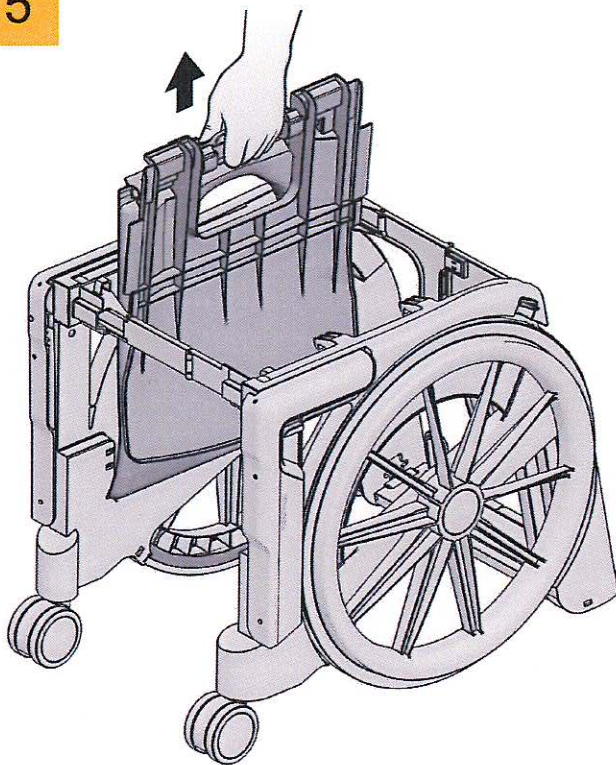
3



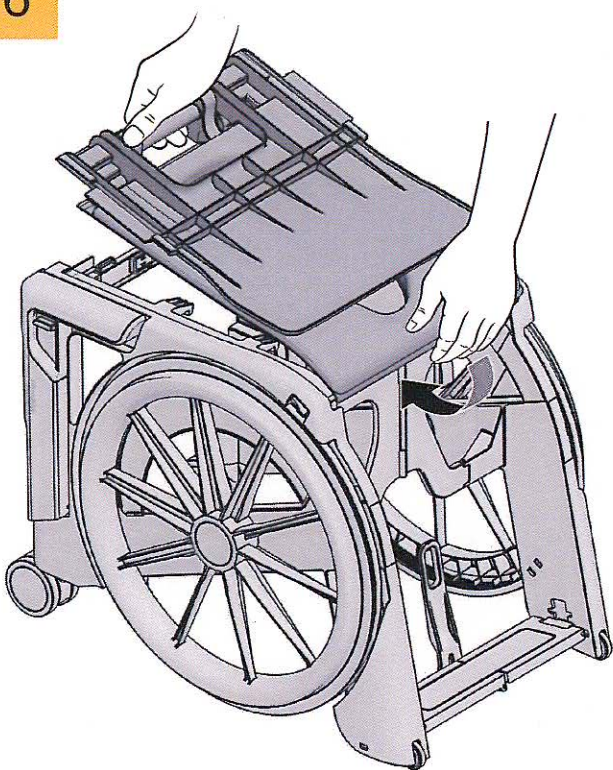
4



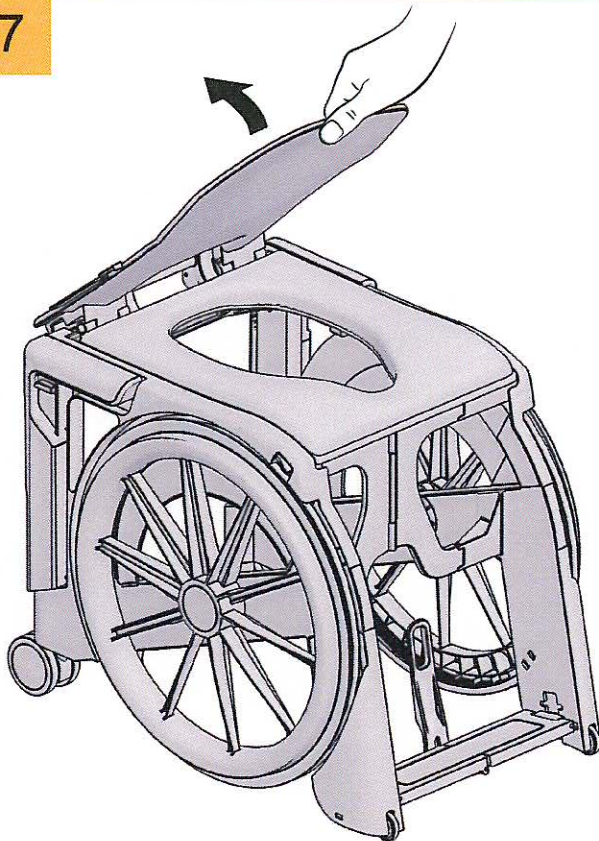
5



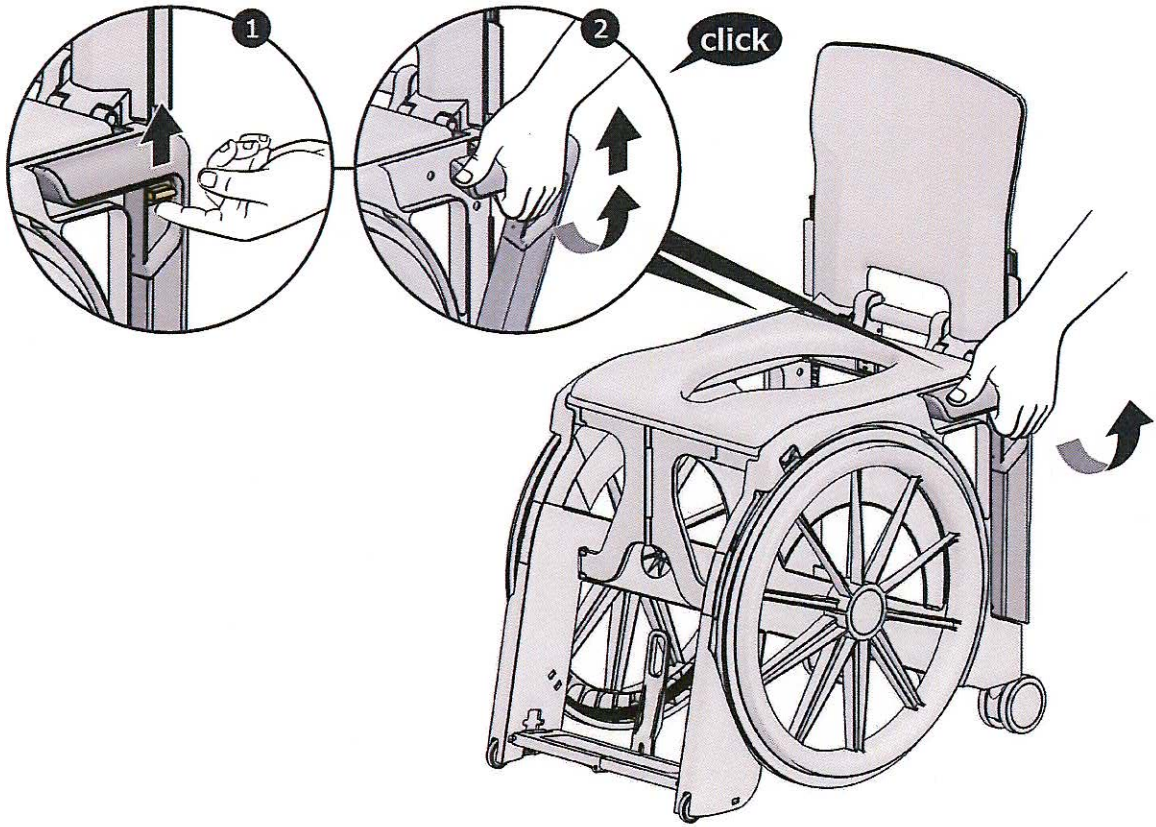
6



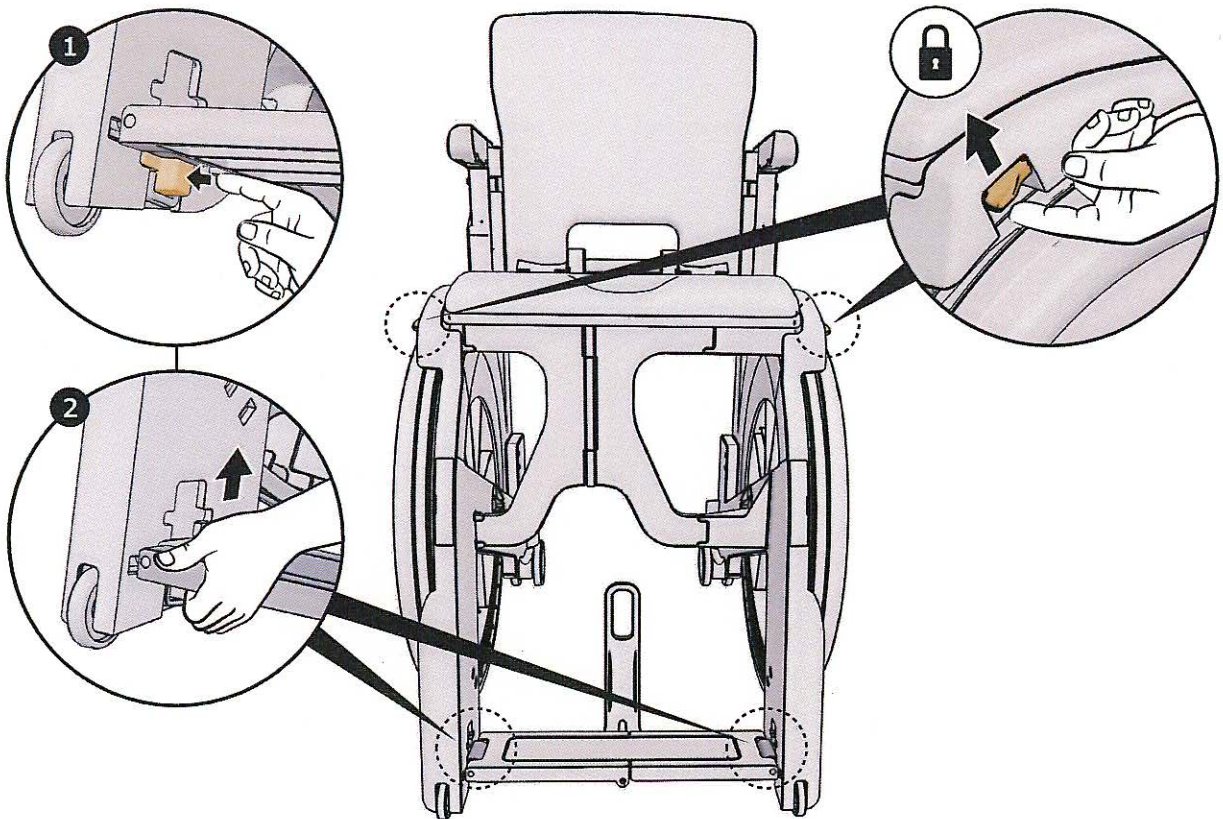
7



8

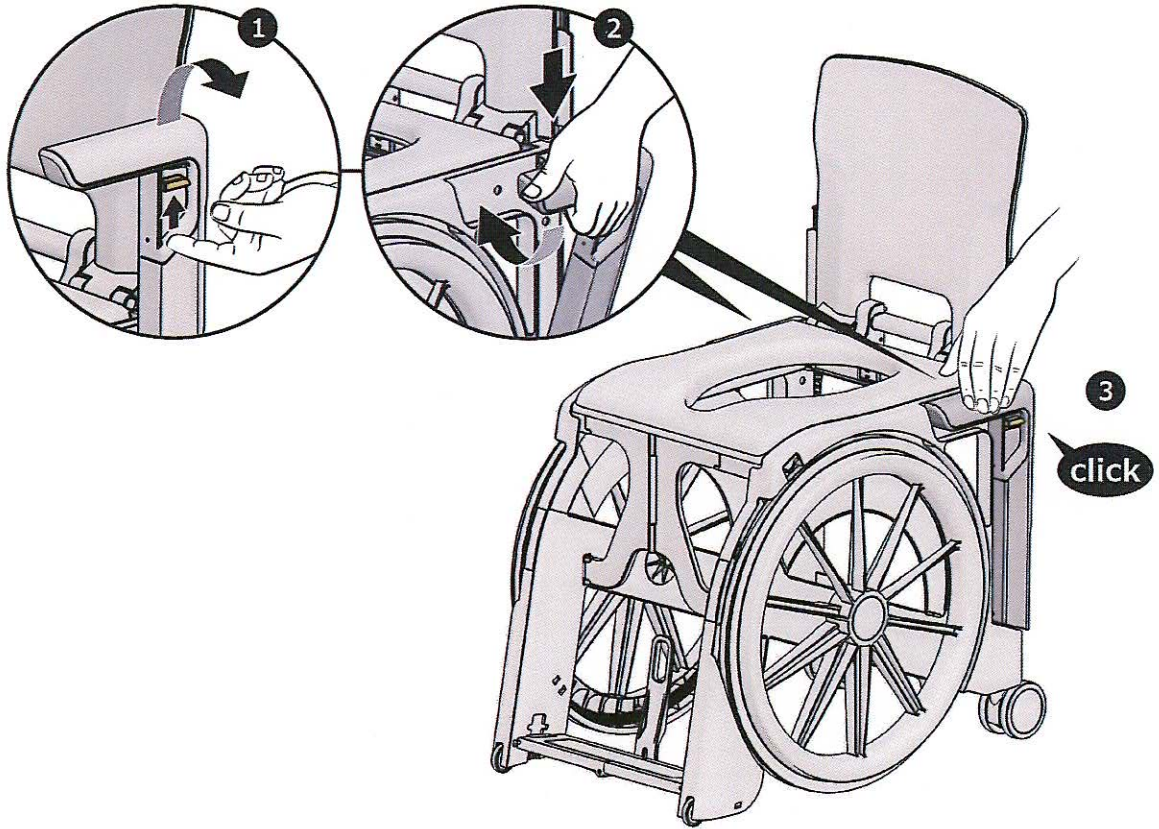


9

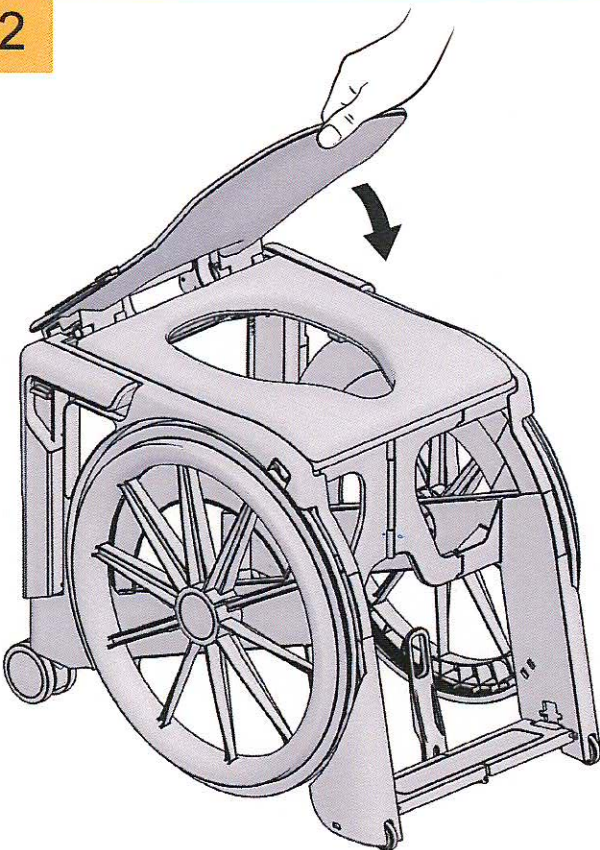


FOLDING

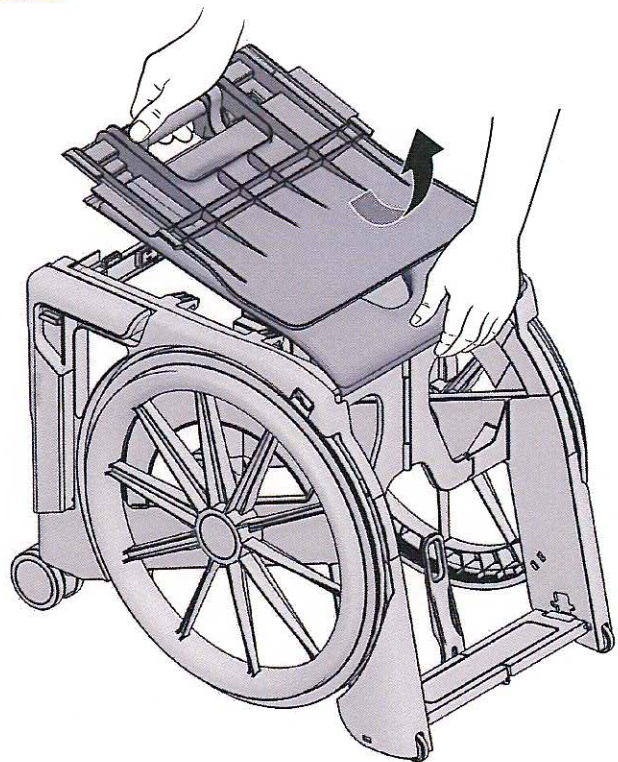
1



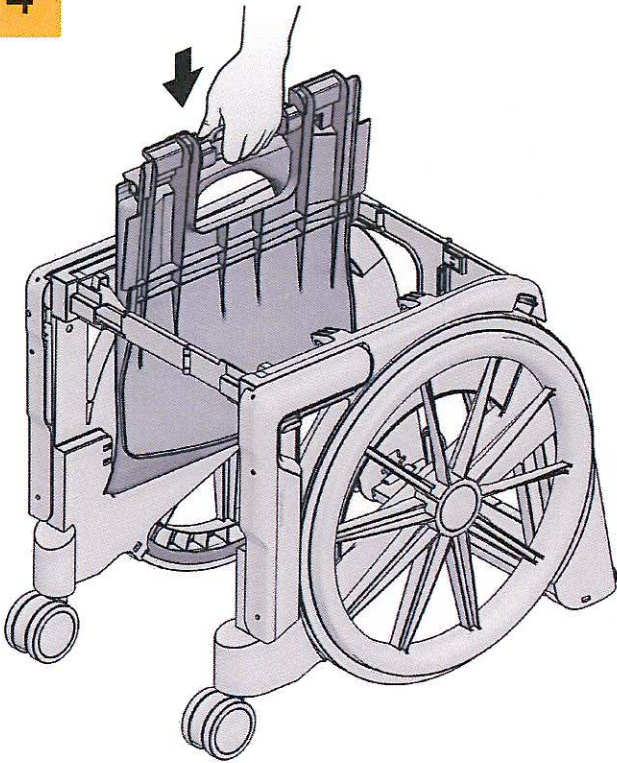
2



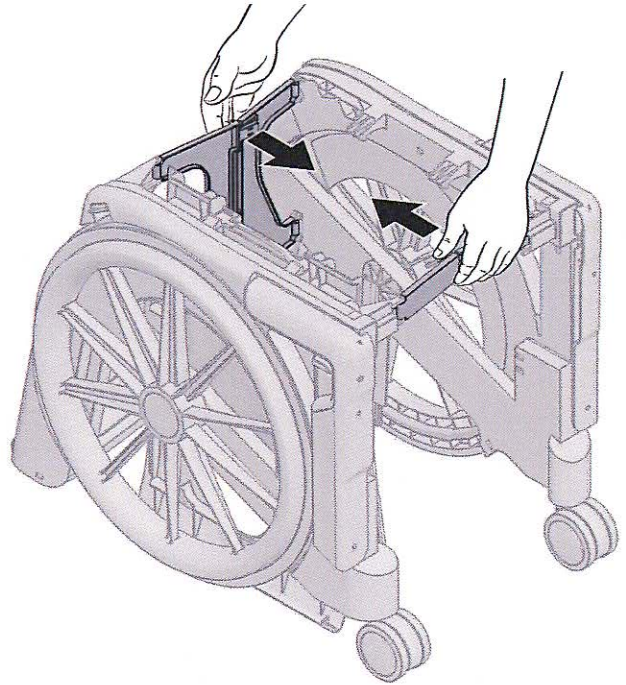
3



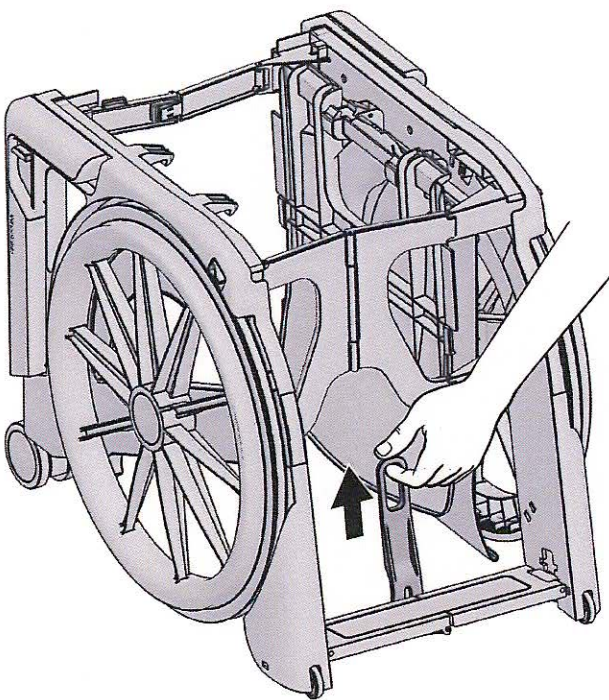
4



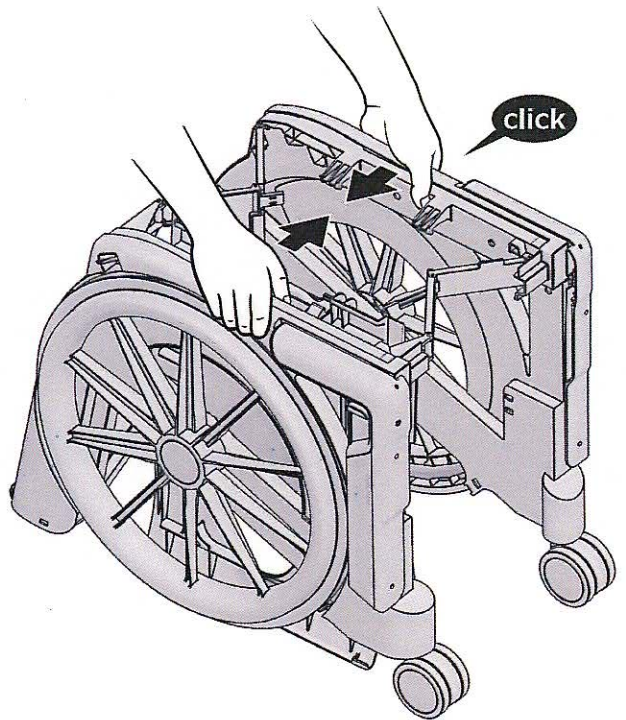
5



6



7



GUARANTEE

Dear Buyer,

SEATARA is pleased that you have chosen to purchase one of its products.

Handling within the frame of reference of the warranty will be at the sales point.

The guarantee for this product is valid for two years as of purchase date.

In order to activate the warranty, you must complete the attached customer details form and present it at to the sales point where you purchased the product, together with a photocopy of the purchase invoice.

An explanatory brochure regarding the assembly and folding of the product is included herein. Please make sure you have understood the instructions, and, if necessary, please access our website or contact one of the sales points for additional clarifications.

Please note that a warning label is adhered to the product in order to prevent incorrect use. These warnings appear also on the bottom of this page.

The guarantee covers the form and functioning of the metal and plastic parts, their form and function. In case of a complaint, it is compulsory to present both the tax invoice and this guarantee.

The guarantee does not apply to textiles, sponge, upholstery, or surfaces (discoloration, scratches and/or tears due to use).

Furthermore, the guarantee does not apply to damage to the product as a result of unreasonable use, a fall from height or any other external damage.

Usage Warnings:

This is an INDOOR product for use inside a building and not outside. It is suitable for moving on a straight or paved floor.

The product is intended for use as a wheelchair for toilets and bathing only.

This product is not an alternative to a regular wheelchair and is not intended for prolonged sitting.

This product should not be used for ascending or descending stairs.

This product should not be tilted while occupied.

This product should not be used on an incline greater than 10% backwards and forwards and no more than 5% laterally.

Weight on chair must not exceed 100Kg.

In case of sensitivity in the sitting area, please use an upholstered cushion.

If case of fall, impact or any other visible damage to the product which makes you apprehensive regarding using it, use must be suspended and its continued good working order must be ascertained with a representative of the company.

Customer Information Form

Customer Name _____

Customer Address _____

Phone Number _____

E-mail _____

Place of Purchase _____

Product Name _____

Serial Number of the Product _____

Date of Purchase _____

Invoice Number _____

| |
|--|
| <p>We would appreciate your assistance:</p> <p>How did you know about the product?</p> <p>Reference / product reviews</p> <p>_____</p> |
|--|