

R8571218
R8571418
R8581218
R8581418
R8591218
R8591418

SCT 2000, SCT 2100

Shower change table – Operation and maintenance manual en

Bruseleje – Brugs- og vedligeholdelsesvejledning dk

Duschliege – Gebrauchs- und Pflegeanleitung de

Table de douche et de change – Manuel d'utilisation et d'entretien fr

Douchebrancards – Gebruiks- en onderhoudshandleiding nl

Duschbrits – Bruks- och underhållsanvisning sv

Dusjstabellebord – Bruks- og vedlikeholdsveiledning no

Camilla de ducha - Instrucciones de uso y mantenimiento es

Stół prysznicowy – Instrukcja obsługi i konserwacji pl

洗澡床 - 操作和维护手册 中文

العربية
طاوله الاستحمام – دليل التشغيل والصيانة



| | |
|------------|-----|
| English | 8 |
| Dansk | 29 |
| Deutsch | 50 |
| Français | 71 |
| Nederlands | 92 |
| Svenska | 113 |
| Norsk | 134 |
| Español | 155 |
| Polski | 176 |
| 中文 | 197 |
| تبرعلا | 218 |

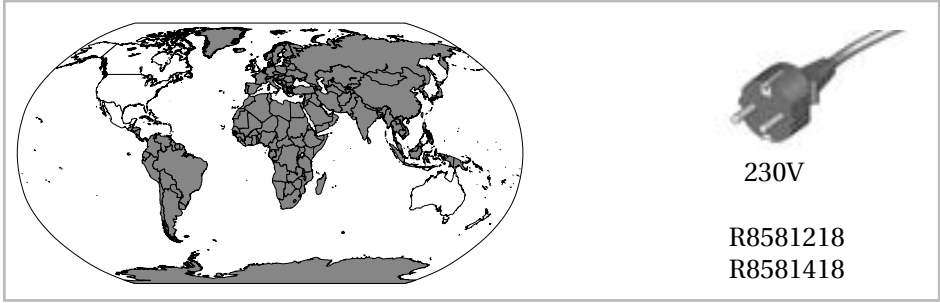


Pressalit's Environmental and Quality Management Systems are certified by LRQA

- en** The warranty covers faults or defects in the material of our products within a period of 3 years from date of invoice. Products subject to minor technical modifications and design deviations E. & O.E.
-
- dk** Garantien dækker i 3 år fra fakturadato for materiale- og fabrikationsfejl. Der tages forbehold for trykfejl, tekniske ændringer og modelafvigelser.
-
- de** Die Garantie gilt für drei Jahre ab Rechnungsdatum für Material- und Herstellungsfehler. Druckfehler, technische Änderungen und Modellabweichungen vorbehalten.
-
- fr** La garantie couvre les vices de fabrication et de matériaux pour une durée de 3 ans à partir de la date de facturation. Sous réserve de modifications techniques et d'erreurs d'impression.
-
- nl** De garantie is tot 3 jaar na factuurdatum geldig voor materiaal- en fabricagefouten. Onder voorbehoud van drukfouten, technische wijzigingen en modelafwijkingen.
-
- sv** Garantin gäller i 3 år från fakturadatum för material- och fabrikationsfel. Med reservation för tryckfel, tekniska ändringar och modellavvikelser.
-
- no** Garantien gjelder i 3 år fra fakturadato for material- og fabriksjonsfeil. Med forbehold for trykkfeil, tekniske endringer og modellforskjeller.
-
- es** La garantía cubre fallos de material o fabricación durante los 3 años posteriores a partir de la fecha de factura. Mantenemos reservas en caso de problemas de presión, modificaciones técnicas y variaciones de modelo.
-
- pl** Trzyletnia gwarancja obejmuje usterki oraz wady produkcyjne i materiałowe. Produkty mogą ulec nieznacznym zmianom technicznym i projektowym. Zastrzegamy sobie prawo do błędów i pominięć.
-
- 中文** 保修涵盖 3 年内出现的材料或制造故障或缺陷。产品的技术和设计可能稍微发生变化，恕不另行通知。

العربية

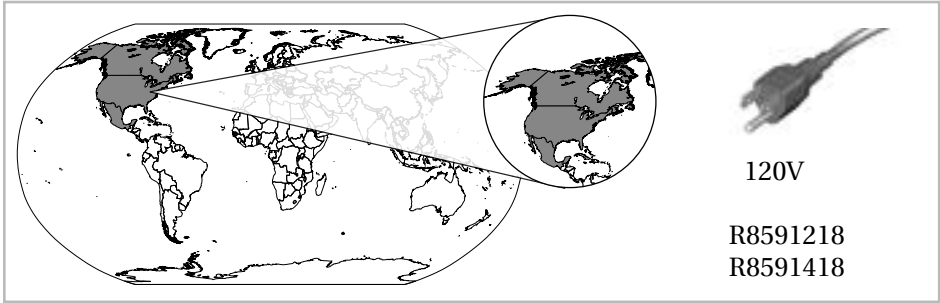
يغطي الضمان الأخطاء أو العيوب في المواد أو التصنيع لفترة 5 أعوام. المنتجات عرضة لتعديلات فنية وفروق طفيفة في التصميم. حالات الخطأ والسهو مستثناة.



A world map with shaded regions in South America, Africa, Europe, and Asia. To the right is a 230V power plug. Below the plug are the model numbers R8581218 and R8581418.

230V

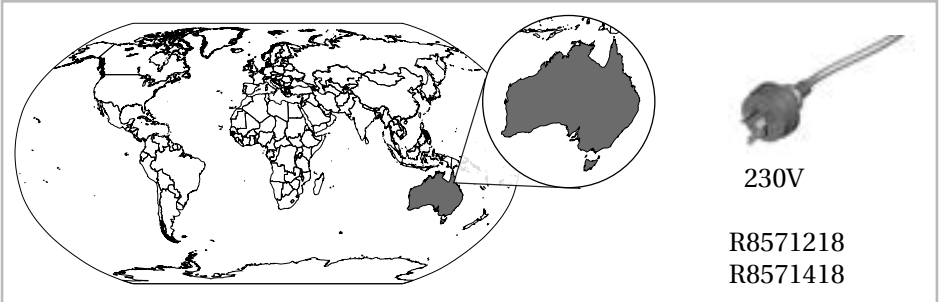
R8581218
R8581418



A world map with a callout circle highlighting North America. To the right is a 120V power plug. Below the plug are the model numbers R8591218 and R8591418.

120V

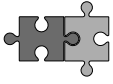
R8591218
R8591418



A world map with a callout circle highlighting Australia. To the right is a 230V power plug. Below the plug are the model numbers R8571218 and R8571418.

230V

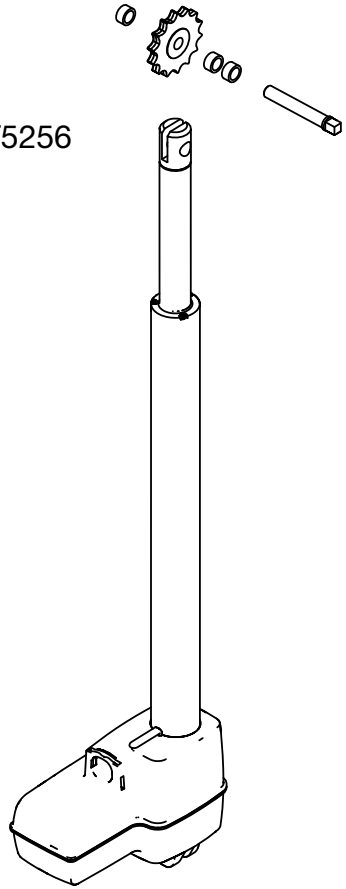
R8571218
R8571418






R8491



T5256

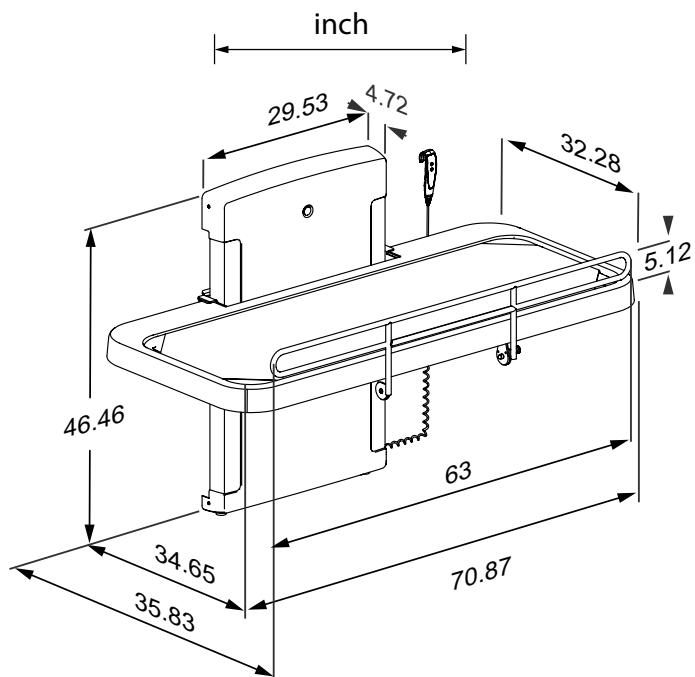
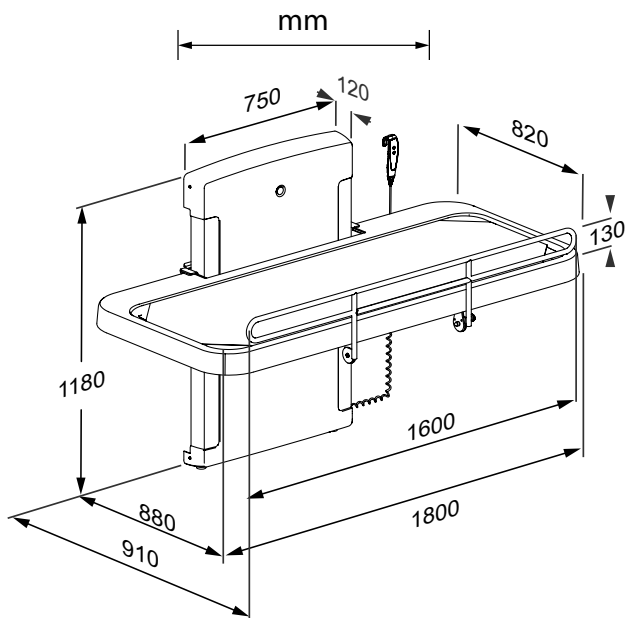




| | | |
|--|---|---|
| |   |   |
| | 73 kg / 161 lbs | 200 kg / 440 lbs |



| | Max P | U | Max I |
|--|--------------|----------|--------------|
| R8581218 R8581418 R8571218 R8571418 | 70 W | 230V | 0,3A |
| R8591218 R8591418 | 36 W | 120V | 0.3A |



Content

| | |
|--|----|
| Mounting instruction | 8 |
| Operational signage | 8 |
| Symbols used in this manual | 9 |
| General safety | 10 |
| Intended use | 11 |
| Intended operator profile | 11 |
| Intended user profile | 11 |
| Operating environment | 11 |
| Contraindications for use | 11 |
| Biocompatibility | 11 |
| Operating instructions | 12 |
| Safety rail | 13 |
| Height adjustment | 14 |
| Mesh/canvas cover | 15 |
| Zipping the cover onto the frame | 16 |
| Cleaning | 17 |
| Disinfection | 17 |
| Maintenance | 18 |
| Maintenance inspection | 18 |
| Resetting | 20 |
| Trouble-shooting | 20 |
| Electromagnetic compatibility | 22 |
| Electromagnetic immunity | 23 |
| Electromagnetic emission | 26 |
| Product label | 27 |
| Technical data | 29 |
| Disposal and recycling | 29 |

en

Mounting instruction



A mounting instruction is included with the product. It can also be downloaded from pressalit.com.

Operational signage



An operational signage is included with the product. It can also be downloaded from pressalit.com.

Original instructions

Symbols used in this manual

The following symbols are used in this manual as well as the associated documentation supplied with the product.



WARNING indicates a potentially hazardous situation which, if not avoided, could result in death or serious injury.












CAUTION indicates a potentially hazardous situation which, if not avoided, may result in minor or moderate injury. It may also be used to alert against unsafe practices.



IMPORTANT indicates important information about handling and use of the product.



NOTICE is used to address practices not related to personal safety.

| | | | |
|---|--|--|--|
|  <p>Hand injury warning</p> |  <p>Head injury warning</p> |  <p>Electricity / voltage warning</p> |  <p>Do not leave patient unattended</p> |
|  <p>Power specifications</p> |  <p>Spare parts</p> |  <p>Article number / versions</p> | |
|  <p>Product weight</p> |  <p>Max. user weight</p> | | |

en

General safety

WARNING

- Read and understand the manual completely before use. Keep the manual close to the unit.
- Comply with this manual to avoid accidents involving serious personal injury.
- Never use or handle this product in other ways than are specified in this manual, as this can put your safety at risk and cause damage to the product.
- Make sure that everyone who is to install or use the product and its systems has the necessary information and access to this manual.

CAUTION

- Please comply with these instructions to avoid the product becoming damaged or destroyed.
- Do not perform repairs, disassembly, or assembly operations, extensions, re-adjustments or modifications to this product. These must be carried out by Pressalit or by persons authorized by Pressalit only.
- Never allow children to operate this product unless under supervision. The product is not intended for play.
- Never use the product if it is defective or damaged. Do not use a defective product before it has been repaired.

NOTICE

- The information in this manual is based on correct fitting of the product in accordance with our mounting instruction.
- Pressalit cannot be held liable if the product is used in any way which differs from that described in the guide.
- We reserve the right to amend this manual without prior notice.

Intended use

This product is intended for bathing a person who is unable to stand up or sit down. The person is lying horizontally on the shower table.

Intended operator profile

The product is to be used by a person trained in health care and/or trained in washing a person in their care.

Intended user profile

The product can be used by all - adults, children, young, old, whose weight does not exceed the **maximum load of 200 kg / 440 lbs.**

Operating environment

For indoor use in a wet environment, such as a bathroom or wash room. The product is intended to be used at room temperature, in private homes, nursing homes and hospitals under normal working conditions.

Contraindications for use

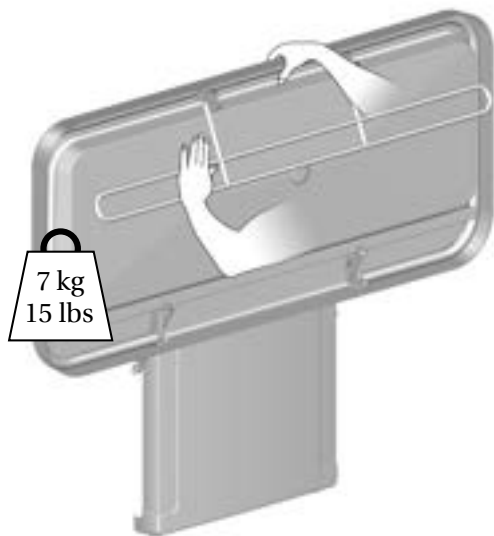
Use of the unit is not recommended for patients with infusion or insulin pump, inflammatory skin diseases or patients in feverish conditions.

Patients with cardiac insufficiency, cardiovascular diseases, craniocerebral injury, open wounds, feed or drain lines (e.g. catheter, drainage tube) may use the unit only after consulting with the attending physician.

Biocompatibility

The materials in contact with the skin of the user during the intended use have been evaluated for their content of harmful substances according to the procedures in BS EN ISO 10993-1:2020 Biological evaluation of medical devices – Part 1 and are therefore considered suitable for this purpose.

Operating instructions



Support the shower table using your hand or body when folding it down, to avoid the risk of damage.

The built-in gas cylinders make it easy to fold the shower table up against the wall after use.



Take care to avoid injury to hands when in the vicinity of closing mechanical parts.



CAUTION

Always be careful when moving a person to and from the shower table.



CAUTION

The surface of the product may become hot and / or cold if exposed to external sources of heat or cold (e.g. sunlight or frost).

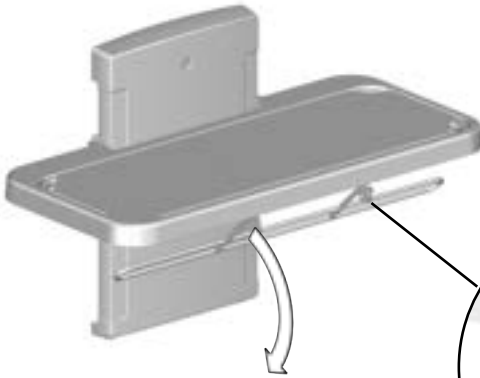
NOTICE

Any serious incident that has occurred in relation to the product should be reported to the manufacturer and the health authorities.

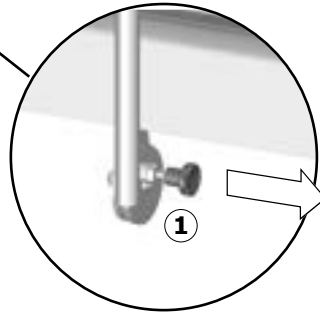
Safety rail



To pull the safety rail up: Swing the rail upwards from under the shower table. The safety rail will automatically lock into position.



To fold the safety rail away: Release the lock ① and swing the safety rail down under the shower table.



CAUTION

Never let a person lie on the nursing bench without the cover in place. The tray under the pads is for water collection only. It is not to be used as a bathtub. Risk of injury to the user and damage to the product.

Height adjustment



When the shower table is installed at the recommended height, it can be adjusted between 480 and 880 mm (18.9" and 34.6") above the floor.

The height adjustment is controlled by the wired remote control unit.



Press and hold the up button to raise the unit. When the button is released, the motion stops.



Press and hold the down button to lower the unit. When the button is released, the motion stops.

en



To avoid risk of strangulation, make sure that the wired remote control is placed in its holder when not in use.



Take care to avoid injury to hands and head when in the vicinity of moving mechanical parts.

CAUTION

Never place objects underneath the shower table.



Do not leave the patient unattended.

Mesh/canvas cover



en

The frame with the cover can be removed for cleaning.
The cover can be zipped off and washed in regular washing machine at max 70° C.

Dry the water collection tray.

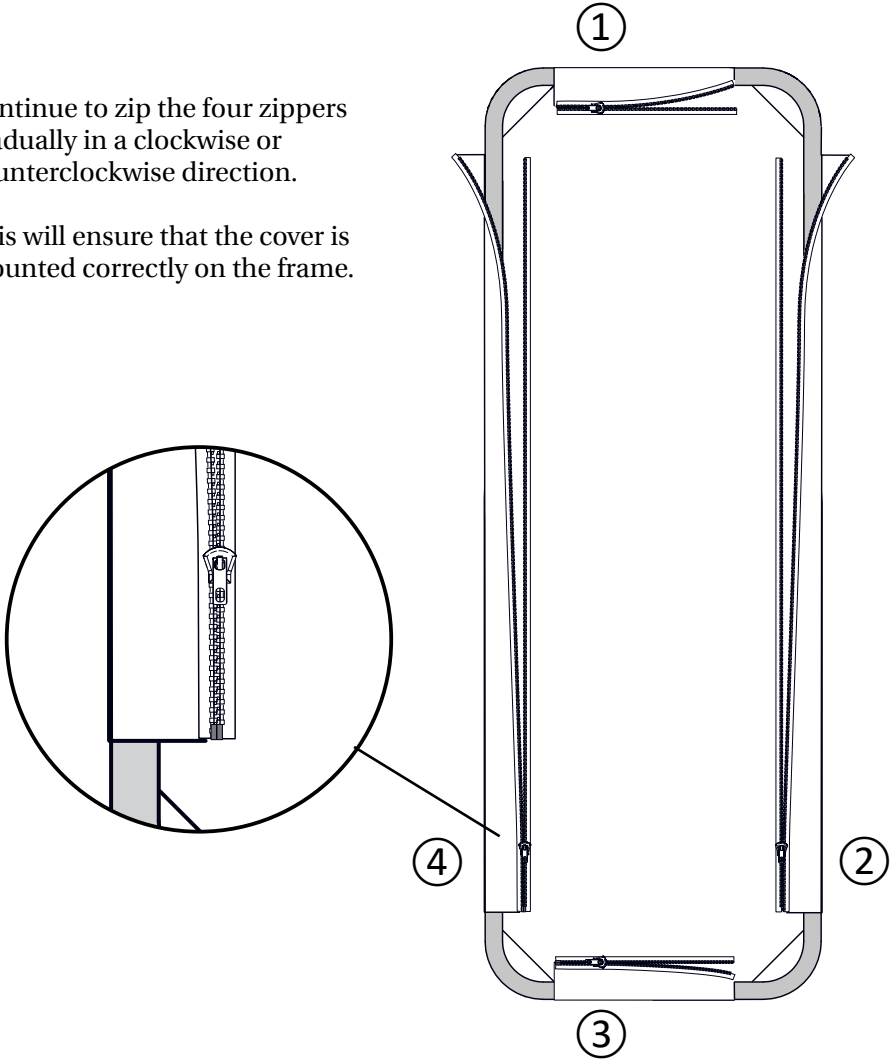
Zippering the cover onto the frame

When the cover has been removed for washing, it must be zipped back onto the frame again.

Zip all zippers approximately 5 cm (2 inches).

Continue to zip the four zippers gradually in a clockwise or counterclockwise direction.

This will ensure that the cover is mounted correctly on the frame.



en

Cleaning

The product is to be cleaned with hot water or a mild soapy cleaning agent. A list of suitable cleaning agents tested by Pressalit can be found on pressalit.com.

CAUTION

Always read the material safety data sheet (MSDS) and supplied instructions of the cleaning, disinfecting or de-scaling agent and comply with instructions for safe use, dilution, rinsing, drying, handling and storage of the agent.

IMPORTANT

- Do not use an autoclave or other type of steam cleaner.
- Avoid aggressive cleaning agents containing acids.
- Never spray the product directly with a high pressure cleaner.
- Avoid use of abrasive, corrosive or chlorine-based cleaning or disinfecting products.

en

Disinfection

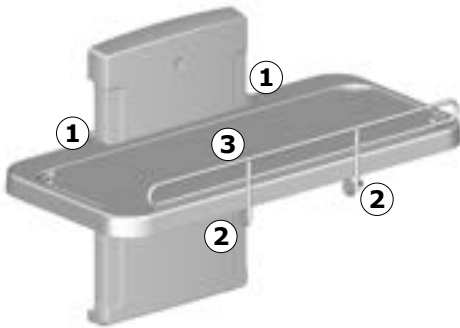
When using the shower table for multiple patients, it is necessary to both clean and disinfect the shower table between uses on different patients to prevent the risk of cross infection. A list of suitable disinfectants can be found at pressalit.com.

Maintenance

Expected service life of the shower table is 10 years, provided that maintenance is carried out as described below:

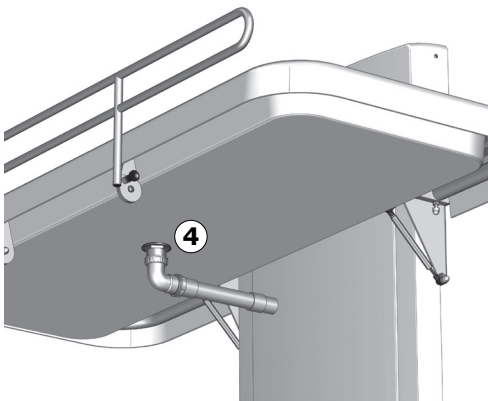
It is recommended on a weekly basis to run the motors on the product to their maximum positions by raising the shower table to its full height, and then lowering it to its lowest position, so that the internal parts are lubricated.

It is recommended that maintenance inspection is done once a year.



Maintenance inspection

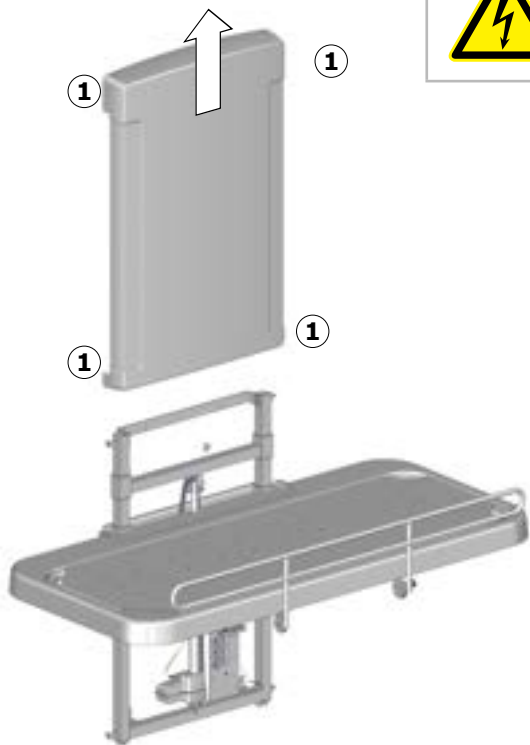
- Check the hinges ① on the shower table and the safety rail ② . Tighten if necessary.
- Check the cover ③ for damage and replace if necessary.



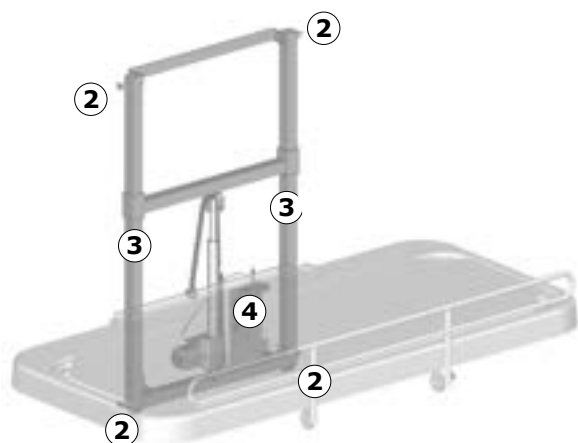
- Check the drain pipe connections ④, and check and clean the water trap (if fitted).



Disconnect mains before removing the covers.



- Remove the upper and lower retaining screws ① on the cover and remove it carefully.



- Check the wall brackets ② and tighten if necessary.
- Oil moving parts, especially the sliding brackets ③.
- Check all electrical connections to the control box ④.
- Put the unit cover back again and tighten the retaining screws.
- Reconnect mains.

en

Resetting

If the height adjustment does not work, and the control box beeps and flashes, the product must be reset.



Press and hold the up button and the down button simultaneously. The control box emits a beep sound. When the beep stops, release both buttons.

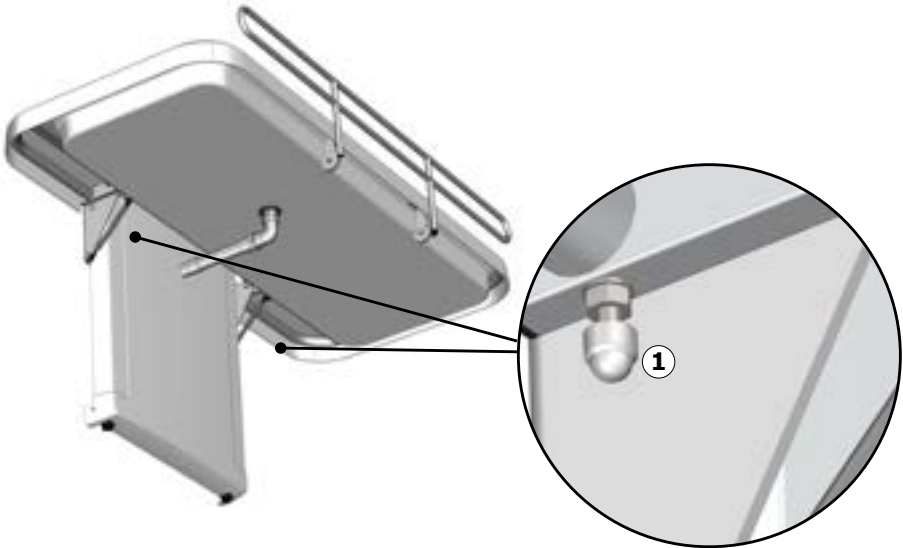


Take the shower table to its lowest position. The shower table is now reset.

Trouble-shooting

| Symptom | Cause | Action |
|--|----------------------------------|--|
| The shower table does not stay in upright position. | The gas cylinders are defective. | Contact Pressalit or your local dealer. |
| The product does not work, even though the remote control is used correctly. | Fault in power supply. | Check that all wires and plugs are intact and correctly connected. Contact Pressalit or your local dealer. |
| The product does not work, and the control box beeps and flashes. | The product needs to be reset. | See "Resetting". |

| | | |
|--|---|--|
| The water does not run out of the water collection tray. | Adjustment screws too high or too low. | Adjust the adjustment screws ①. |
| The shower table runs up and down unevenly. | The sliding brackets are not properly lubricated. | Oil the sliding brackets as described under “Maintenance”. |



en

Contact Pressalit or your dealer if the problem cannot be remedied. Do not attempt to repair the product yourself, as this will invalidate the guarantee.

Electromagnetic compatibility

The device is suitable for use at home, at daycare centres, at day centres for persons with physical or mental disabilities or at hospitals except near active HF surgical equipment and RF shielded rooms with medical systems for magnetic resonance imaging with high intensity of electromagnetic disturbances.

The device does not have any function related to basic safety or essential performance. In case of loss or degradation of performance due to electromagnetic disturbances, the user can still get on and off the product.


| Cable | Length |
|---------------------------|-----------------------------|
| Power cable | 3,2 m (126") |
| Hand control spiral cable | Approx. 5 m (197") extended |




- Use of accessories, transducers and cables other than those specified or provided by the manufacturer could result in increased electromagnetic emissions or decreased electromagnetic immunity of this equipment and result in improper function.
- Portable RF communications equipment (including peripherals such as antenna cables and external antennas) should be used no closer than 30 cm (12 inches) to any part of the unit, including its cables, to avoid any degradation of the performance of this unit.
- Use of this equipment adjacent to or stacked with other equipment should be voided because it could result in improper operation. If such use is necessary, this equipment and the other equipment should be observed to verify that they are operating normally.

en


Electromagnetic immunity

| Electrostatic discharge | |
|---|--|
|  | The product must not be affected by electrical discharge between a person and the product in such a way as to initiate actions or render components defective. |
| Test standard | Immunity test level |
| EN 61000-4-2 | +/- 8 kV contact +/- 2, 4, 8, 15 kV air |

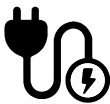
| Radiated RF electromagnetic field | |
|---|--|
|  | The product must not be affected by radiating RF signals, for example from a mobile phone or radio, that could cause the product to take action or to make components defective. |
| Test standard | Immunity test level |
| EN 61000-4-3 | 15 V/m 80 MHz to 1000 MHz (only on the front) 15 V/m 1,01 GHz to 3 GHz 80 % AM 1 kHz |

en


Immunity to proximity fields from RF wireless communication equipment

| | |
|---|--|
|  | <p>The product must not be affected by radiating RF signals, for example from a mobile phone or radio, that could cause the product to take action or to make components defective.</p> |
| <p>Test standard</p> | <p>Immunity test level</p> |
| <p>EN 61000-4-3*</p> | <p>385 MHz, 27V/m, 18 Hz PM (50 % duty cycle square wave) 450 MHz, 28V/m, FM +/- 5 kHz deviation, 1 kHz sine 710 MHz, 9V/m, 217 Hz PM (50 % duty cycle square wave) 745 MHz, 9V/m, 217 Hz PM (50 % duty cycle square wave) 780 MHz, 9V/m, 217 Hz PM (50 % duty cycle square wave) 810 MHz, 28V/m, 18 Hz PM (50 % duty cycle square wave) 870 MHz, 28V/m, 18 Hz PM (50 % duty cycle square wave) 930 MHz, 28V/m, 18 Hz PM (50 % duty cycle square wave) 1720 MHz, 28V/m, 217 Hz PM (50 % duty cycle square wave) 1845 MHz, 28V/m, 217 Hz PM (50 % duty cycle square wave) 1970 MHz, 28V/m, 217 Hz PM (50 % duty cycle square wave) 2450 MHz, 28V/m, 217 Hz PM (50 % duty cycle square wave) 5240 MHz, 9V/m, 217 Hz PM (50 % duty cycle square wave) 5500 MHz, 9V/m, 217 Hz PM (50 % duty cycle square wave) 5785 MHz, 9V/m, 217 Hz PM (50 % duty cycle square wave)</p> |


Electrical fast transient/burst

| | |
|--|--|
|  | <p>The product must not be affected by rapid pulse signals through the cord. This could cause the components to become defective, or the product could initiate actions.</p> |
| <p>Test standard</p> | <p>Immunity test level</p> |
| <p>EN 61000-4-4</p> | <p>+/- 1 kV , +/- 2 kV 100 kHz repetition frequency</p> |

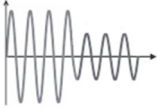
Surge immunity

| | |
|---|--|
|  | The product must not be affected to initiate actions or to render components defective as a result of lightning. |
| Test standard | Immunity test level |
| EN 61000-4-5 | Line-to-line: +/- 0.5 kV, +/-1 kV Line-to-ground: +/- 0.5 kV, +/-1 kV, +/- 2 kV |


Immunity to conducted disturbances induced by RF fields

| | |
|---|---|
|  | The wires must not be affected by other RF fields so as to initiate actions or render components defective. |
| Test standard | Immunity test level |
| EN 61000-4-6 | 3 V (6 V in ISM bands and amateur radio bands) 0,15 to 80 MHz , 80 % AM at 1 kHz |


Voltage dips


| | |
|---|---|
|  | The product must not initiate or limit actions as a result of a dip in the power supply. |
| Test standard | Immunity test level |
| EN 61000-4-11 | 0 % U_T ; 0.5 cycle at 0°, 45°, 90°, 135°, 180°, 225°, 270° and 315°, 0 % U_T ; 1 cycle at 0°, 70 % U_T ; 25 cycles at 0° Single phase at 0° |


Voltage interruptions


| | |
|---|---|
|  | The product must not initiate or limit actions as a result of a short-term power supply stop. |
| Test standard | Immunity test level |
| EN 61000-4-11 | 0 % U_T ; 300 cycle |

Electromagnetic emission

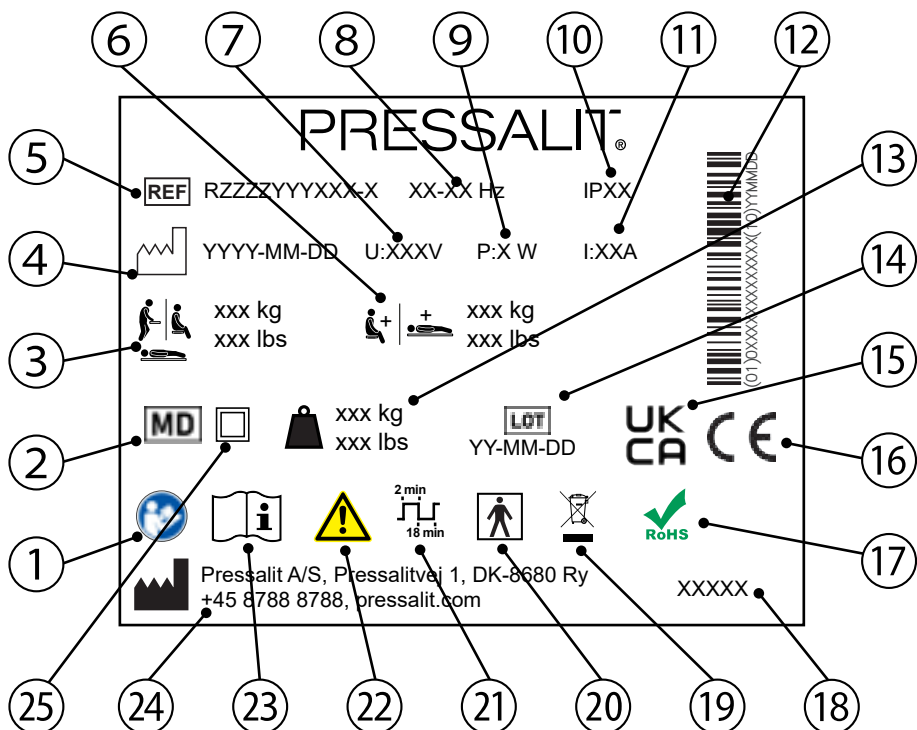
| Conducted RF emission | |
|---|--|
|  | The product must not send too much noise into the grid. This could lead to a disruption of other products. |
| Test standard | Emission test class and group |
| EN 55011 | Class B, group 1 |

| Radiated RF emission | |
|---|--|
|  | The product must not emit RF signals in the room. This could lead to a disruption of other products. |
| Test standard | Emission test class and group |
| EN 55011 | Class B, group 1 |

| Harmonic current emissions | |
|---|--|
|  | The product must not unintentionally draw power from the grid. |
| Test standard | Emission test class and group |
| IEC 61000-3-2 | Class A |

| Voltage changes, voltage fluctuations and flicker | |
|---|---|
|  | The product must not affect other products when it is connected to the grid. For example, these could be lights that could start flashing and thus bother people in the room. |
| Test standard | Emission test class and group |
| EN 61000-3-3 | Tested according to the standard. |

Product label



en

- ① Consult manual for use

- ② Medical device

- ③ Maximum user weight

- ④ Production date

- ⑤ Article number

- ⑥ Max load

- ⑦ Mains voltage

- ⑧ Frequency

- ⑨ Maximum power consumption

⑩ IP class

⑪ Electric Current

⑫ GS1-128 barcode

⑬ Product weight

⑭ Batch code

⑮ UK Conformity Assessed

These products are CE-marked in accordance with relevant requirements in:

- ⑯
- Regulation (EU) 2017/745 (5 April 2017) on medical devices.
 - Council Directive 2006/42/EC (of 17 May 2006) on machinery.
 - Council Directive 2011/65/EC (of 8 June 2011) on RoHS.

A declaration of conformity can be found at pressalit.com

⑰ This product does not contain any of the hazardous substances mentioned in the Council Directive 2011/65/EC on RoHS.

⑱ Product name (if any)

⑲ Do not dispose as unsorted municipal waste. The product should be collected separately and returned to the designated recycling service.

⑳ Type BF applied part Part of the product in normal use necessarily comes into physical contact with the patient to perform its function
The product complies with requirements of IEC 60601-1 to provide protection against electric shock

㉑ Duty cycle

㉒ Consult the manual for important cautionary information such as warnings and precautions

㉓ Consult manual for use

㉔ Name and address of manufacturer

㉕ Double insulated electrical appliance

Technical data

| | |
|-----------|--|
| Materials | Powder laquered stainless steel Plastics: PVC (canvas) Polystyrene (cover) |
| IP class | The product has an ingress protection class rating of IPX6. The product may not be immersed in water, but is designed to withstand powerful jets (12.5 mm nozzle) of water from any direction. |

Disposal and recycling

The unit contains reusable materials. There are no known hazards or risks associated with disposal of the product. All components can be discarded after having been cleaned and disinfected.

When disposing of the product, we recommend that it be disassembled and broken down into different waste groups for recycling or combustion.

The following table provides information on the recycling and handling of the product. en

| Recyclable components | Material |
|------------------------------|---|
| Steel | Steel can be recycled by being re-melted and included as a secondary material in the production of new steel. |
| Plastics | Use plastic sorting and recycling systems where they are locally available, otherwise incinerating plastic has the added benefit of generating energy which can be used for, for example, combined heat and power production. |
| Electronics | The electronic components should be collected separately and returned to the designated recycling service. |

Indhold

| | |
|---|----|
| Monteringsvejledning..... | 29 |
| Visuel guide..... | 29 |
| Symboler, der er anvendt i denne vejledning | 30 |
| Generel sikkerhed | 31 |
| Tilsigtet brug | 32 |
| Tilsigtet personaleprofil | 32 |
| Tilsigtet brugerprofil | 32 |
| Betjeningsmiljø..... | 32 |
| Kontraindikationer for brug..... | 32 |
| Biokompatibilitet..... | 32 |
| Betjeningsinstruktioner | 33 |
| Sikkerhedsskinne | 34 |
| Højderegulering | 35 |
| Net-/lejedugsdækken | 36 |
| Sådan lynes dækkenet på rammen..... | 37 |
| Rengøring | 38 |
| Desinfektion | 38 |
| Vedligeholdelse..... | 39 |
| Vedligeholdelsesinspektion | 39 |
| Fejlfinding..... | 41 |
| Elektromagnetisk kompatibilitet | 42 |
| Produktmærkning | 47 |
| Tekniske data | 49 |
| Bortskaffelse og genbrug | 49 |

dk

Monteringsvejledning



Der følger en monteringsvejledning med dette produkt. Den kan også downloades fra pressalit.com.

Visuel guide



Der følger en visuel guide med produktet. Den kan også downloades fra pressalit.com.

Symboler, der er anvendt i denne vejledning

Følgende symboler er anvendt i denne vejledning og i den tilhørende dokumentation, der følger med produktet.



ADVARSEL angiver en potentielt farlig situation, som, hvis den ikke undgås, kan medføre dødsfald eller alvorlig personskade.



FORSIGTIG angiver en potentielt farlig situation, som, hvis den ikke undgås, kan medføre større eller mindre personskade. Det kan også bruges til at advare om usikre fremgangsmåder.



VIGTIGT angiver vigtige oplysninger om håndtering og anvendelse af produktet.



BEMÆRK vedrører fremgangsmåder, der ikke er forbundet med personlig sikkerhed.

| | | | |
|---|---|---|--|
|  Advarsel om håndskade. |  Advarsel om hovedskade |  Advarsel om elektricitet/ spænding |  Patienten må ikke være uovervåget |
|  Elektriske specifikationer |  Reservedele |  Produktnummer/-versioner | |
|  Produktvægt |  Maks. brugervægt | | |

Generel sikkerhed

ADVARSEL

- Læs og forstå hele vejledningen før brug. Opbevar vejledningen tæt på produktet.
- Følg denne vejledning for at undgå uheld og alvorlig personskade.
- Dette produkt må aldrig bruges eller håndteres på anden måde end som angivet i denne vejledning, da dette vil kunne udgøre en risiko for din sikkerhed og beskadige produktet.
- Sørg for, at alle, der installerer eller bruger dette produkt og dets systemer, har de nødvendige oplysninger samt adgang til denne vejledning.

FORSIGTIG

- Følg disse instruktioner for at undgå, at produktet beskadiges eller ødelægges.
- Der må ikke foretages reparationer, demontering, samlinger, udvidelser, tilpasninger eller ændringer på dette produkt. Dette må kun udføres af Pressalit eller af personer, som er autoriseret af Pressalit.
- Lad ikke børn betjene dette produkt uden opsyn. Produktet er ikke beregnet til leg.
- Produktet må ikke benyttes, hvis det er defekt eller beskadiget. Et defekt produkt må ikke anvendes, før det er repareret.

BEMÆRK

- Oplysningerne i denne vejledning er baseret på korrekt justering af produktet i overensstemmelse med vores monteringsvejledning.
- Pressalit kan ikke holdes ansvarlig, hvis produktet bruges på andre måder end som beskrevet i vejledningen.
- Vi forbeholder os ret til at ændre denne vejledning uden forudgående varsel.

Tilsigtet brug

Dette produkt er beregnet til at vaske en person, som ikke kan stå op eller sidde ned. Personen ligger vandret på bruselejet.

Tilsigtet personaleprofil

Produktet skal bruges af en person, der er uddannet inden for sundhedsplejen og/eller trænet i at vaske en person.

Tilsigtet brugerprofil

Produktet kan anvendes af alle – voksne, børn, unge og gamle, hvis vægt ikke overstiger den **maksimale belastning på 200 kg**.

Betjeningsmiljø

Til indendørs brug i våde omgivelser, som f.eks. et badeværelse eller vaskerum. Produktet er beregnet til anvendelse ved stuetemperatur, i private hjem, på plejehjem og hospitaler under normale arbejdsforhold.

Kontraindikationer for brug

Brug af enheden anbefales ikke for patienter med infusions- eller insulinpumpe, sygdomme med hudbetændelse eller patienter med feberlidelser.

Patienter med hjerteinsufficiens, hjertekarsygdomme, kraniocerebral skade, åbne sår, tilførsels- eller udtagslanger (f.eks. kateter, drænageslange) kan evt. bruge enheden, men kun efter rådføring med den behandlende læge.

Biokompatibilitet

De materialer, der kommer i kontakt med brugerens hud under den tilsigtede brug, er blevet evalueret for deres indhold af skadelige stoffer i henhold til procedurerne i DS/EN ISO 10993-1:2020 Biologisk vurdering af medicinsk udstyr – Del 1 og anses derfor for at være passende til dette formål.

Betjeningsinstruktioner



Understøt bruselejet med hånden eller kroppen, når det foldes ned, for at undgå risikoen for skader.

De indbyggede gascylindere gør det let at folde bruselejet op mod væggen efter brug.



Undgå skader på hænderne, når disse er i nærheden af lukkende mekaniske dele.

 **FORSIGTIG**

Vær altid forsigtig, når en person flyttes til og fra bruselejet.

 **FORSIGTIG**

Produktets overflade kan blive varm og/eller kold, hvis den udsættes for eksterne varme- eller kuldekilder (f.eks. sollys eller frost).

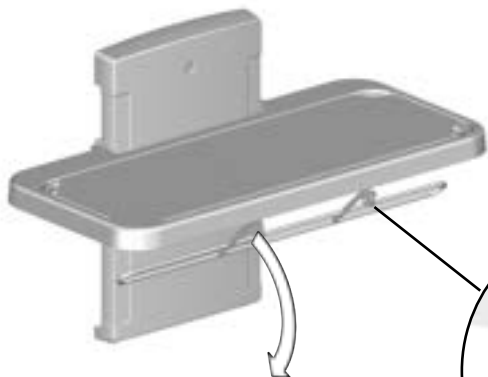
BEMÆRK

Eventuelle alvorlige hændelser, der opstår i relation til produktet, skal rapporteres til producenten og sundhedsmyndighederne.

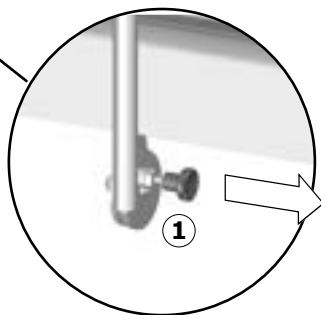
Sikkerhedsskinne



Sådan slås sengehesten op: Sving sengehesten opad fra undersiden af bruselejet. Sengehesten låses automatisk fast.



Sådan foldes sengehesten væk: Frigør låsen ①, og sving sengehesten ned under bruselejet.



FORSIGTIG

Lad **aldrig** en person ligge på bruseplejelejet, uden at dækket er på plads. Bakken under puderne er kun beregnet til opsamling af vand. Det skal ikke bruges som et badekar. Dette kan udgøre en risiko for personskader og beskadige produktet.

Højderegulering



Når bruselejet er installeret i den anbefalede højde, kan det justeres til mellem 480 og 880 mm over gulvet.

Højdejusteringen styres med den ledningstilsluttede fjernbetjening.



Tryk og hold på knappen med pil op for at hæve enheden.
Når knappen slippes, stopper bevægelsen.



Tryk og hold på knappen med pil ned for at sænke enheden.
Når knappen slippes, stopper bevægelsen.



For at undgå kvælningsrisiko skal du sørge for, at den ledningstilsluttede fjernbetjening sidder i sin holder, når den ikke er i brug.

dk



Udvis forsigtighed for at undgå skader på hænder og hoved, når disse er i nærheden af bevægelige mekaniske dele.



FORSIGTIG

Placer aldrig genstande under bruselejet.



Patienten må ikke være uovervåget.

Net-/lejedugsdækken



dk

Rammen med dækkenet kan fjernes for rengøring.
Dækkenet kan lynes af og vaskes i en almindelig vaskemaskine ved maks. 70 °C. Tør vandopsamlingsbakken.

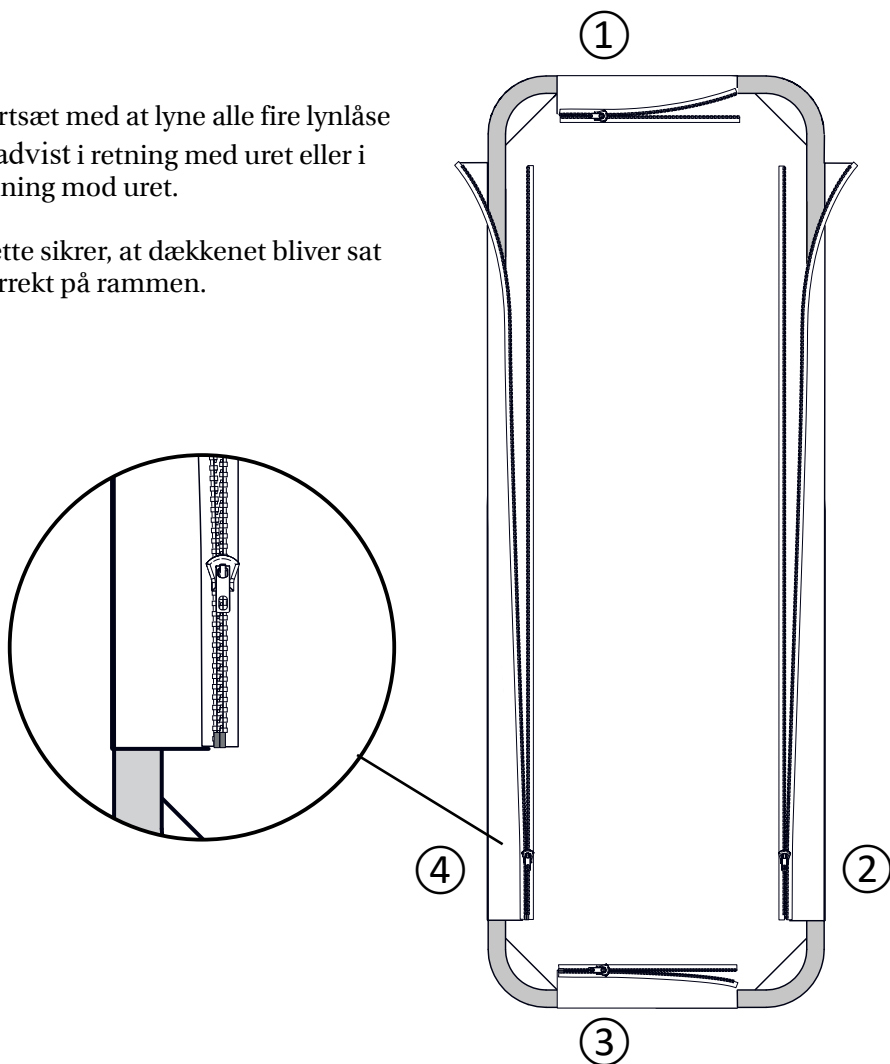
Sådan lynes dækkenet på rammen

Når dækkenet har været taget af for at blive vasket, skal det lynes på rammen igen.

Lyn alle lynlåse ca. 5 cm.

Fortsæt med at lynes alle fire lynlåse gradvist i retning med uret eller i retning mod uret.

Dette sikrer, at dækkenet bliver sat korrekt på rammen.



Rengøring

Produktet skal rengøres med varmt vand eller mildt sæbevand. Der findes en liste over passende rengøringsmidler, der er testet af Pressalit, på pressalit.com.



Læs altid sikkerhedsdatabladet (MSDS) og de instruktioner, der følger med rengørings-, desinfektions- eller afkalkningsmidlet, og følg instruktionerne for sikker brug, fortynding, skylning, tørring, håndtering og opbevaring af midlet.

VIGTIGT

- Brug ikke autoklavering eller en anden form for damprensere.
- Undgå stærke rengøringsmidler, der indeholder syre.
- Produktet må aldrig sprøjtes direkte med en højtryksrenser.
- Undgå brug af slibende, ætsende eller klorbaserede rengørings- eller desinfektionsmidler.

dk

Desinfektion

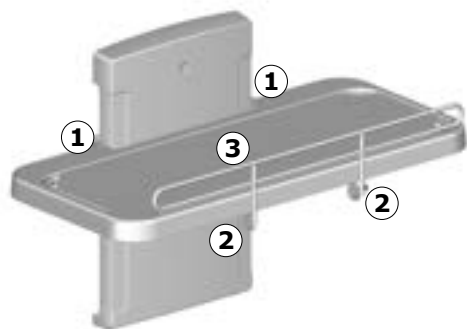
Når bruselejet benyttes til flere patienter, er det nødvendigt både at rengøre og desinficere bruselejet mellem de forskellige patienter for at forhindre risikoen for krydsinfektion. Der findes en liste over desinfektionsmidler på pressalit.com.

Vedligeholdelse

Den forventede levetid for bruselejet er 10 år, forudsat at vedligeholdelsen udføres som beskrevet nedenfor:

Det anbefales at køre motorerne på produktet til deres maksimale position én gang om ugen ved at hæve bruselejet til dets fulde højde og derefter sænke det til dets laveste position, så de indvendige dele smøres.

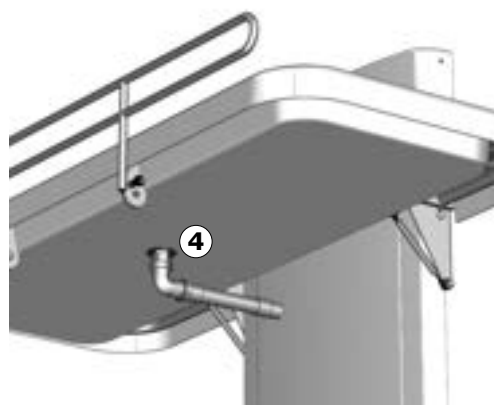
Det anbefales, at der udføres vedligeholdelsesinspektion en gang om året.



Vedligeholdelsesinspektion

- Kontrollér hængslerne ① på bruselejet og sengehesten ②. Stram dem om nødvendigt.
- Kontrollér dækket ③ for skader, og udskift det om nødvendigt.

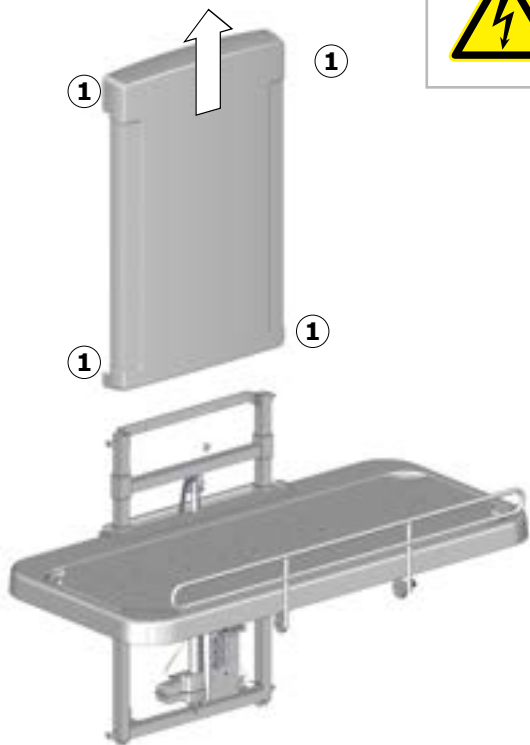
dk



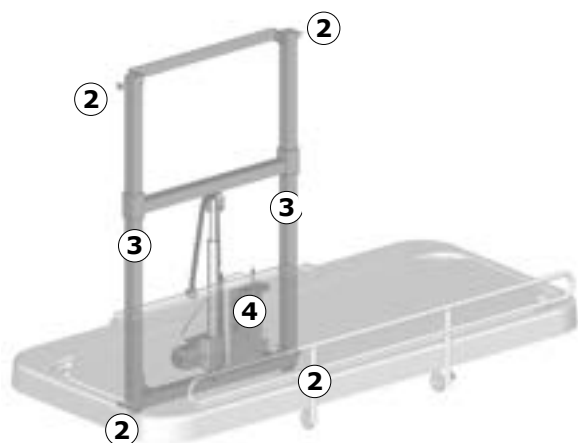
- Kontrollér afløbsslange-tilslutningerne ④, og kontrollér samt rengør vandlåsen (hvis den er monteret).



Frakobl netstrømsforsyningen, før afskærmningerne tages af.



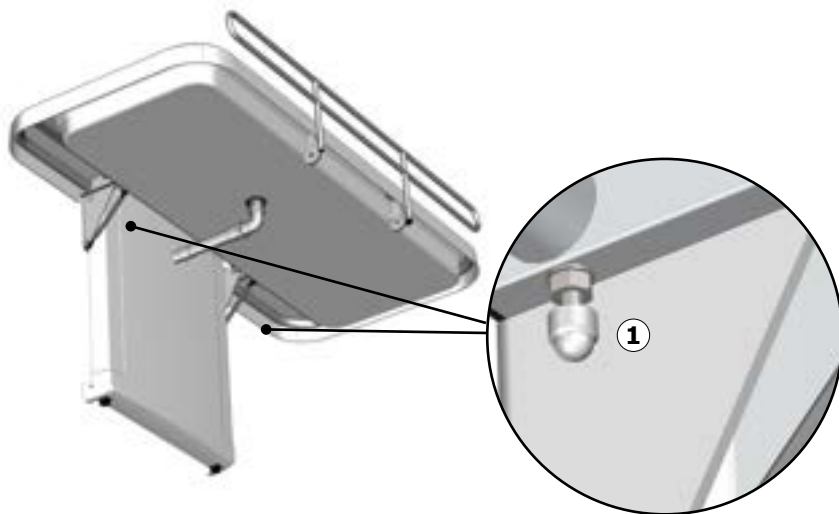
- Fjern de øverste og nederste monteringskruer ① på afskærmningen, og fjern den forsigtigt.



- Kontrollér vægbeslagene ②, og stram dem om nødvendigt.
- Smør de bevægelige dele og især glidebeslagene ③ med olie.
- Kontrollér alle de elektriske forbindelser til kontrolboksen ④.
- Sæt enhedens afskærmning på igen, og stram monteringskruerne.
- Gentilslut netstrømsforsyningen.

Fejlfinding

| Symptom | Årsag | Handling |
|---|--|---|
| Bruselejet forbliver ikke i oprejst stilling. | Gascylinderne er defekte. | Kontakt Pressalit eller din lokale forhandler. |
| Produktet fungerer ikke, selvom håndbetjeningen anvendes korrekt. | Fejl i strømforsyningen. | Kontrollér, at alle ledninger og stik er intakte og korrekt tilsluttet. Kontakt Pressalit eller din lokale forhandler. |
| Vandet løber ikke ud af vandopsamlingsbakken. | Justeringsskrue er for høje eller for lave. | Juster justeringsskrue ①. |
| Bruselejet kører ujævnt op og ned. | Glidebeslagene er ikke smurt tilstrækkeligt. | Smør glidebeslagene som beskrevet under "Vedligeholdelse". |



dk

Kontakt Pressalit eller din forhandler, hvis problemet ikke kan løses. Forsøg ikke selv at reparere produktet, da dette vil ugyldiggøre garantien.


Elektromagnetisk kompatibilitet

Enheden er egnet til brug i hjemmet, i daginstitutioner, på daginstitutioner for personer med fysiske eller mentale vanskeligheder eller på hospitaler undtagen i nærheden af aktivt HF-kirurgisk udstyr og i RF-afskærmede rum med medicinske systemer til MR-scanning med elektromagnetiske forstyrrelser af høj intensitet.


Enheden har ikke nogen funktioner, der er relateret til den grundlæggende sikkerhed eller væsentlige ydeevne. Hvis ydeevnen forringes på grund af elektromagnetiske forstyrrelser, kan brugeren stadig komme op på og ned fra produktet.

| Kabel | Længde |
|--------------------------------|------------------|
| Strømkabel | 3,2 m |
| Spiralkabel til fjernbetjening | Ca. 5 m udstrakt |


Elektrostatisk afladning

| | |
|---|--|
|  | Produktet må ikke påvirkes af elektrisk afladning mellem brugeren og produktet på en sådan måde, at det kræver indgriben eller medfører defekter på komponenter. |
| Teststandard | Niveau af immunitetstest |
| EN 61000-4-2 | +/- 8 kV-kontakt +/- 2, 4, 8, 15 kV luft |

Udstrålet RF-elektromagnetisk felt

| | |
|---|--|
|  | Produktet må ikke påvirkes af udstrålende RF-signaler. Dette kan f.eks. være signaler fra en mobiltelefon eller radio, der kunne få produktet til at påbegynde handlinger eller medføre defekter på komponenter. |
| Teststandard | Niveau af immunitetstest |
| EN 61000-4-3 | 15 V/m 80 MHz til 1000 MHz (kun på forsiden) 15 V/m 1,01 GHz til 3 GHz 80 % AM 1 kHz |

Immunitet over for proksimitetsfelter fra trådløst RF-kommunikationsudstyr


| | |
|--|--|
|  | Produktet må ikke påvirkes af udstrålende RF-signaler. Dette kan f.eks. være signaler fra en mobiltelefon eller radio, der kunne få produktet til at påbegynde handlinger eller medføre defekter på komponenter. |
|--|--|


dk

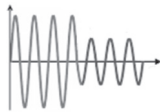
| Teststandard | Niveau af immunitetstest |
|---------------------|---|
| EN 61000-4-3* | <p>385 MHz, 27 V/m, 18 Hz PM (firkantimpuls på 50 % for driftscyklus)</p> <p>450 MHz, 28 V/m, FM +/- 5 kHz afvigelse, 1 kHz sine</p> <p>710 MHz, 9 V/m, 217 Hz PM (firkantimpuls på 50 % for driftscyklus)</p> <p>745 MHz, 9 V/m, 217 Hz PM (firkantimpuls på 50 % for driftscyklus)</p> <p>780 MHz, 9 V/m, 217 Hz PM (firkantimpuls på 50 % for driftscyklus)</p> <p>810 MHz, 28 V/m, 18 Hz PM (firkantimpuls på 50 % for driftscyklus)</p> <p>870 MHz, 28 V/m, 18 Hz PM (firkantimpuls på 50 % for driftscyklus)</p> <p>930 MHz, 28 V/m, 18 Hz PM (firkantimpuls på 50 % for driftscyklus)</p> <p>1720 MHz, 28 V/m, 217 Hz PM (firkantimpuls på 50 % for driftscyklus)</p> <p>1845 MHz, 28 V/m, 217 Hz PM (firkantimpuls på 50 % for driftscyklus)</p> <p>1970 MHz, 28 V/m, 217 Hz PM (firkantimpuls på 50 % for driftscyklus)</p> <p>2450 MHz, 28 V/m, 217 Hz PM (firkantimpuls på 50 % for driftscyklus)</p> <p>5240 MHz, 9 V/m, 217 Hz PM (firkantimpuls på 50 % for driftscyklus)</p> <p>5500 MHz, 9 V/m, 217 Hz PM (firkantimpuls på 50 % for driftscyklus)</p> <p>5785 MHz, 9 V/m, 217 Hz PM (firkantimpuls på 50 % for driftscyklus)</p> |


dk


| Hurtig elektrisk overspænding/strømstød | |
|---|---|
|  | <p>Produktet må ikke blive påvirket af hurtige pulssignaler gennem ledningen. Det kunne medføre at komponenterne blev defekte, eller produktet kunne igangsætte handlinger.</p> |
| Teststandard | Niveau af immunitetstest |
| EN 61000-4-4 | <p>+/- 1 kV, +/- 2 kV</p> <p>100 kHz repetitionsfrekvens</p> |


| Overspændingsimmunitet | |
|---|---|
|  | Produktet må ikke påvirkes til at igangsætte handlinger eller gøre komponenter defekte som følge af lynnedslag. |
| Teststandard | Niveau af immunitetstest |
| EN 61000-4-5 | Fase-til-fase: +/- 0,5 kV, +/- 1 kV Fase-til-jord: +/- 0,5 kV, +/- 1 kV, +/- 2 kV |


| Immunitet over for ledningsbårne forstyrrelser induceret af radiofrekvente felter | |
|--|--|
|  | Ledningerne må ikke kunne påvirkes af andre RF-felter sådan at det igangsætter handlinger eller gør komponenter defekte. |
| Teststandard | Niveau af immunitetstest |
| EN 61000-4-6 | 3 V (6 V i ISM-bånd og amatøradiobånd) 0,15 til 80 MHz, 80 % AM ved 1 kHz |


| Spændingsdyk | |
|---|---|
|  | Produktet må ikke igangsætte eller begrænse handlinger som følge af et dyk i spændingsforsyningen. |
| Teststandard | Niveau af immunitetstest |
| EN 61000-4-11 | 0 % U_T ; 0,5 cyklus ved 0°, 45°, 90°, 135°, 180°, 225°, 270° og 315°, 0 % U_T ; 1 cyklus ved 0°, 70 % U_T ; 25 cyklusser ved 0° Enfase ved 0° |

| Spændingsforstyrrelser | |
|---|---|
|  | Produktet må ikke starte eller begrænse handlinger som et resultat af en kortvarig strømafbrydelse. |
| Teststandard | Niveau af immunitetstest |
| EN 61000-4-11 | 0 % U_T ; 300 cyklus |

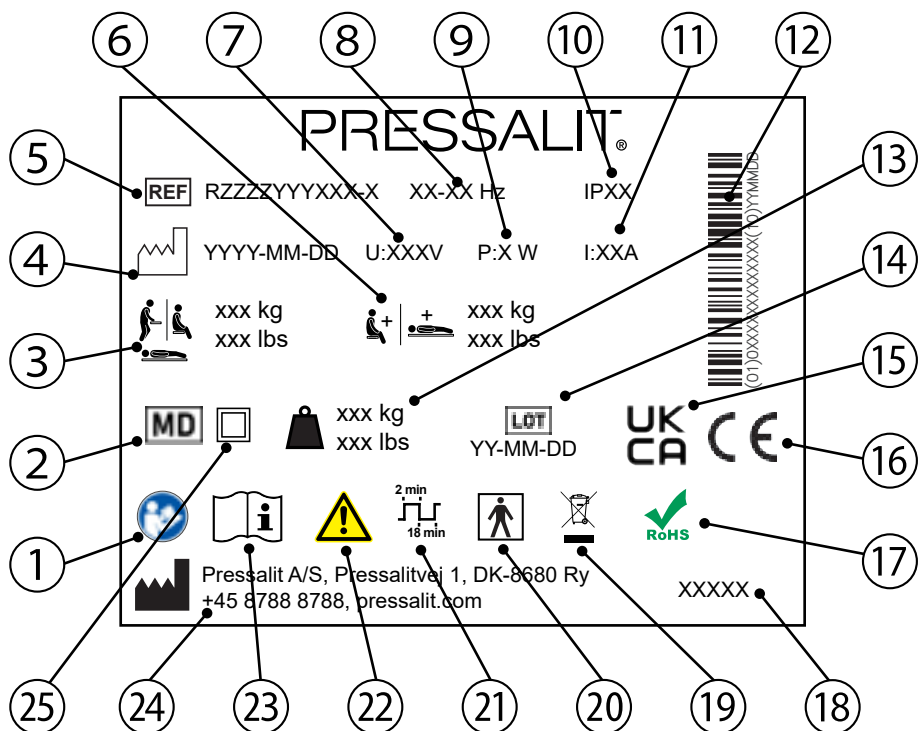
| Ledningsbåren RF-emission | |
|---|---|
|  | Produktet må ikke udsende for meget støj til forsyningsnettet. Dette kan medføre forstyrrelse af andre produkter. |
| Teststandard | Emissionstestklasse og -gruppe |
| EN 55011 | Klasse B, gruppe 1 |

| Udstrålet RF-emission | |
|---|---|
|  | Produktet må ikke sende RF-signaler ud i lokalet. Det kunne medføre forstyrrelser af andre produkter. |
| Teststandard | Emissionstestklasse og -gruppe |
| EN 55011 | Klasse B, gruppe 1 |

| Harmoniske strømmissioner | |
|---|---|
|  | Produktet må ikke utilsigtet trække strøm fra nettet. |
| Teststandard | Emissionstestklasse og -gruppe |
| IEC 61000-3-2 | Klasse A |

| Spændingsændringer, spændingsudsving og støj | |
|---|--|
|  | Produktet må ikke påvirke andre produkter, når det er tilsluttet nettet. Dette kan f.eks. være lamper, som begynder at blinke og derved generer personer i rummet. |
| Teststandard | Emissionstestklasse og -gruppe |
| EN 61000-3-3 | Testet i henhold til standarden. |

Produktmærkning



dk

1 Se brugsvejledningen

2 Medicinsk udstyr

3 Maks. brugervægt

4 Fremstillingsdato

5 Produktnummer

6 Maksimal belastning

7 Netspænding

8 Frekvens

9 Maks. strømforbrug

⑩ IP-klasse

⑪ Strømstyrke

⑫ GS1-128-stregkode

⑬ Produktvægt

⑭ Batchkode

⑮ UKCA-mærkning (UK Conformity Assessment)

Disse produkter er CE-mærket i henhold til de relevante krav i:

- Forordning (EU) 2017/745 (af 5. april 2017) om medicinsk udstyr.

⑯ • Rådets direktiv 2006/42/EF (af 17. maj 2006) om maskiner.

- Rådets direktiv 2011/65/EF (af 8. juni 2011) om RoHS.

Der findes en overensstemmelseserklæring på pressalit.com

⑰ Dette produkt indeholder ikke nogen af de farlige stoffer, der er nævnt i Rådets direktiv 2011/65/EF om RoHS.

⑱ Produktnavn (hvis det findes)

Må ikke bortskaffes som usorteret husholdningsaffald.

⑲ Produktet skal indsamles særskilt og afleveres på den relevante genbrugsstation.

⑳ Type B anvendt del. Dele af produktet vil under normal anvendelse nødvendigvis komme i fysisk kontakt med patienten. Produktet opfylder kravene i IEC 60601-1 for at beskytte mod elektrisk stød

㉑ Driftscyklus

㉒ Se vigtige advarende oplysninger, som f.eks. advarsler og sikkerhedsforanstaltninger, i vejledningen

㉓ Se brugsvejledningen

㉔ Fabrikantens navn og adresse

㉕ Dobbeltisoleret elektrisk apparat

Tekniske data

| | |
|------------|--|
| Materialer | Pulverlakeret rustfrit stål Plastik: PVC (lejedug) Polystyren (afskærmning) |
| IP-klasse | Produktet har kapslingsgradsklassificeringen IPX6. Produktet må ikke nedsænkes i vand, men det er udviklet til at modstå kraftige vandstråler (12,5 mm dyse) fra en hvilken som helst retning. |

Bortskaffelse og genbrug

Produktet indeholder genbrugelige materialer. Der er ingen kendte farer eller risici forbundet med bortskaffelse af produktet. Alle komponenter kan bortskaffes efter at være blevet rengjort og desinficeret.

Ved bortskaffelse af produktet anbefales det, at det skilles ad og inddeles i forskellige affaldsgrupper til genbrug eller forbrænding.

Følgende tabel indeholder oplysninger om genbrug og håndtering af produktet.

| Genanvendelige komponenter | Materiale |
|-----------------------------------|--|
| Stål | Stål kan genbruges ved hjælp af omsmelting og anvendes som sekundært materiale i produktionen af nyt stål. |
| Plastik | Brug plastiksorтерings- og genbrugssystemer, hvis de er tilgængelige i lokalområdet, og ellers har forbrænding af plastik den ekstra fordel, at det genererer energi, hvilket kan anvendes til f.eks. en kombination af varme- og kraftproduktion. |
| Elektronik | De elektroniske komponenter skal indsamles særskilt og afleveres på den relevante genbrugsstation. |

dk

Inhalt

| | |
|--|----|
| Montageanleitung | 50 |
| Kurzanleitung in Bildern | 50 |
| Symbole in dieser Gebrauchsanweisung | 51 |
| Allgemeine Sicherheitshinweise | 52 |
| Verwendungszweck | 53 |
| Vorgesehene Bediener | 53 |
| Vorgesehene Patienten | 53 |
| Betriebsbedingungen | 53 |
| Kontraindikationen | 53 |
| Biologische Beurteilung | 53 |
| Bedienungsanleitung | 54 |
| Sicherheitsleiste | 55 |
| Höhenverstellung | 56 |
| Netz-/Canvasbezug | 57 |
| Bespannung mit Reißverschluss am Rahmen befestigen | 58 |
| Reinigung | 59 |
| Desinfektion | 59 |
| Wartung | 60 |
| Wartungsinspektion | 60 |
| Fehlerbehebung | 62 |
| Elektromagnetische Verträglichkeit | 63 |
| Elektromagnetische Störfestigkeit | 64 |
| Elektromagnetische Emissionen | 67 |
| Typenschild | 68 |
| Technische Daten | 70 |
| Entsorgung und Wiederverwertung | 70 |

de

Montageanleitung



Dem Produkt ist eine Montageanleitung beigelegt. Diese kann auch von der Website pressalit.com heruntergeladen werden.

Kurzanleitung in Bildern



Diesem Produkt ist eine Kurzanleitung in Bildern beigelegt. Diese kann auch von der Website pressalit.com heruntergeladen werden.

Symbole in dieser Gebrauchsanweisung

Die folgenden Symbole werden sowohl in dieser Gebrauchsanweisung als auch in der mit dem Produkt mitgelieferten Dokumentation verwendet.



WARNUNG weist auf zu vermeidende Gefahrensituationen hin, die zum Tod oder zu schwerwiegenden Verletzungen führen können.












VORSICHT weist auf zu vermeidende Gefahrensituationen hin, die zu geringfügigen oder mittelschweren Verletzungen führen können. Es kann auch zur Warnung vor unsicheren Verfahren dienen.



WICHTIG weist auf wichtige Informationen zur Handhabung und Verwendung des Produkts hin.



HINWEIS kennzeichnet Verfahren und Informationen, ohne dass Verletzungsgefahr besteht.

| | | | |
|---|---|--|---|
|  <p>Warnung: Verletzungsgefahr für die Hände</p> |  <p>Warnung: Gefahr von Kopfverlet- zungen</p> |  <p>Warnung vor elektrischer Spannung</p> |  <p>Patient darf nicht unbeaufsichtigt gelassen werden</p> |
|  <p>Leistungsdaten</p> |  <p>Ersatzteile</p> |  <p>Artikelnummer/ Versionen</p> | |
|  <p>Gewichtangabe</p> |  <p>Max. Gewicht des Benutzers</p> | | |

Allgemeine Sicherheitshinweise

WARNUNG

- Lesen Sie vor Verwendung des Produkts die Gebrauchsanweisung vollständig durch. Bewahren Sie die Gebrauchsanweisung in der Nähe des Produkts auf.
- Befolgen Sie diese Gebrauchsanweisung, um schwerwiegende Verletzungen zu vermeiden.
- Verwenden und handhaben Sie dieses Produkt ausschließlich wie in dieser Gebrauchsanweisung beschrieben. Anderenfalls besteht Verletzungsgefahr für den Anwender oder die Gefahr von Schäden am Produkt.
- Stellen Sie sicher, dass alle Personen, die dieses Produkt und seine Komponenten installieren oder verwenden, über die notwendigen Informationen verfügen und Zugang zu dieser Gebrauchsanweisung haben.

VORSICHT

- Befolgen Sie diese Anweisungen, um Schäden am Produkt zu vermeiden.
- Nehmen Sie keine Reparaturen, Montagen, Erweiterungen, Anpassungen oder Veränderungen am Produkt vor und zerlegen Sie es nicht. Diese Arbeiten dürfen ausschließlich von Pressalit-Mitarbeitern oder von anderen, durch Pressalit autorisierten Personen durchgeführt werden.
- Lassen Sie niemals Kinder unbeaufsichtigt dieses Produkt bedienen. Das Produkt darf nicht als Spielzeug verwendet werden.
- Verwenden Sie das Produkt niemals, wenn es defekt oder beschädigt ist. Verwenden Sie ein defektes Produkt erst wieder, nachdem es repariert wurde.

HINWEIS

- Die Informationen in dieser Gebrauchsanweisung setzen den korrekten Einbau des Produkts gemäß unserer Montageanweisung voraus.
- Pressalit haftet nicht, wenn das Produkt anders als in dieser Gebrauchsanweisung beschrieben verwendet wird.
- Änderungen vorbehalten.

Verwendungszweck

Das Gerät ist zum Duschen von Personen vorgesehen, die nicht stehen oder sitzen können. Die Person liegt dabei waagrecht auf der Duschliege.

Vorgesehene Bediener

Das Produkt ist für die Bedienung durch Personen vorgesehen, die in der medizinischen Pflege und/oder im Waschen von durch sie betreute Personen geschult sind.

Vorgesehene Patienten

Das Produkt kann von Erwachsenen und Kindern jeden Alters genutzt werden, deren Körpergewicht dessen **maximale Belastbarkeit von 200 kg** nicht überschreitet.

Betriebsbedingungen

Zum Gebrauch in Nassräumen wie Badezimmern oder Waschräumen. Das Produkt ist unter normalen Arbeitsbedingungen bei Raumtemperatur in Privathaushalten, Pflegeeinrichtungen und Krankenhäusern vorgesehen.

Kontraindikationen

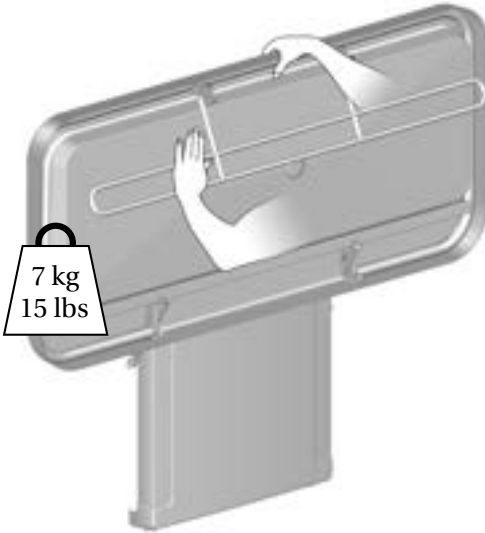
Die Nutzung des Produkts wird bei Patienten mit Infusions- oder Insulinpumpe, entzündlichen Hautkrankheiten oder fiebernden Patienten nicht empfohlen.

Patienten mit Herzinsuffizienz, Herz-Kreislauf-Erkrankungen, Schädel-Hirn-Trauma, offenen Wunden oder gelegten Zugängen (z. B. Katheter, Drainageschlauch) dürfen das Produkt erst nach Rücksprache mit dem behandelnden Arzt nutzen.

Biologische Beurteilung

Die Materialien, die bei der bestimmungsgemäßen Verwendung mit der Haut des Bedieners in Kontakt kommen, wurden gemäß DIN EN ISO 10993-1:2021 „Biologische Beurteilung von Medizinprodukten - Teil 1“ auf Schadstoffe untersucht und sind nachweislich für die vorgesehene Verwendung geeignet.

Bedienungsanleitung



Stützen Sie die Duschieliege beim Herunterklappen mit der Hand oder dem Körper ab, um Beschädigungen zu vermeiden.

Die eingebauten Gasdruckzylinder erleichtern nach dem Gebrauch das Hochklappen der Duschieliege an die Wand.



Gehen Sie in der Nähe schließender mechanischer Teile vorsichtig vor, da hier die Gefahr von Verletzungen der Hände besteht.



VORSICHT

Gehen Sie immer vorsichtig vor, wenn Sie eine Person auf die Duschieliege und von der Duschieliege heben.



VORSICHT

Die Oberfläche des Produkts kann sich stark erhitzen bzw. abkühlen, wenn sie externen Wärme- bzw. Kältequellen ausgesetzt ist (z. B. Sonne oder Frost).

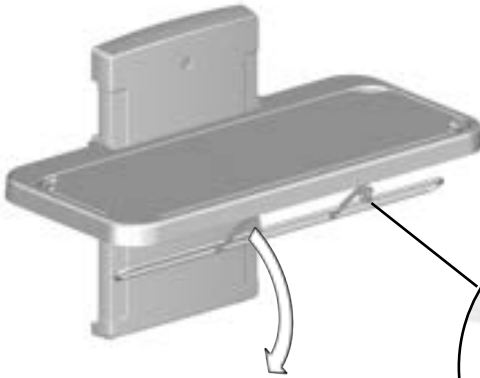
HINWEIS

Jeder schwerwiegende Vorfall, der im Zusammenhang mit dem Produkt aufgetreten ist, muss dem Hersteller und den Gesundheitsbehörden gemeldet werden.

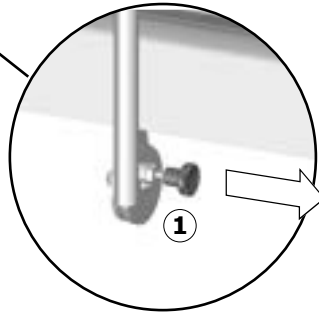
Sicherheitsleiste



Hochklappen des Seitengitters: Klappen Sie das unter der Duschieliege befindliche Gitter nach oben. Das Seitengitter rastet von selbst ein.



Herunterklappen des Seitengitters: Lösen Sie die Verriegelung ① und klappen Sie das Seitengitter unter die Duschieliege zurück.



de



VORSICHT

Lassen Sie **niemals** eine Person ohne die Bespannung auf der Duschieliege liegen. Das Auffangbecken unter den Auflagen dient nur zum Auffangen des Wassers. Es darf nicht als Badewanne verwendet werden. Anderenfalls besteht die Gefahr von Verletzungen des Benutzers und Schäden am Produkt.

Höhenverstellung



Wenn die Duschielie in der empfohlenen Höhe befestigt wird, kann sie im Bereich von 48 bis 88 cm über dem Boden in der Höhe verstellt werden.

Die Höhenverstellung erfolgt über die kabelgebundene Fernbedienung.



Halten Sie zum Hochfahren die Taste „Auf“ gedrückt.
Wenn Sie die Taste loslassen, wird die Aufwärts- bzw. Abwärtsbewegung angehalten.



Halten Sie zum Absenken die Taste „Ab“ gedrückt.
Wenn Sie die Taste loslassen, wird die Aufwärts- bzw. Abwärtsbewegung angehalten.



Wenn die kabelgebundene Fernbedienung gerade nicht verwendet wird, muss sie in der vorgesehenen Halterung platziert werden, um ein Strangulationsrisiko zu vermeiden.



Seien Sie in der Nähe beweglicher mechanischer Teile vorsichtig, da hier die Gefahr von Verletzungen der Hände und des Kopfes besteht.



VORSICHT

Stellen Sie auf keinen Fall Gegenstände unter die Duschielie.



Der Patient darf nicht unbeaufsichtigt gelassen werden.

Netz-/Canvasbezug



de

Der Rahmen mit der Bespannung kann zur Reinigung abgenommen werden. Die Bespannung ist mit einem Reißverschluss befestigt und kann abgenommen und bei maximal 70 °C in der Maschine gewaschen werden.

Wischen Sie das Wasserauffangbecken trocken.

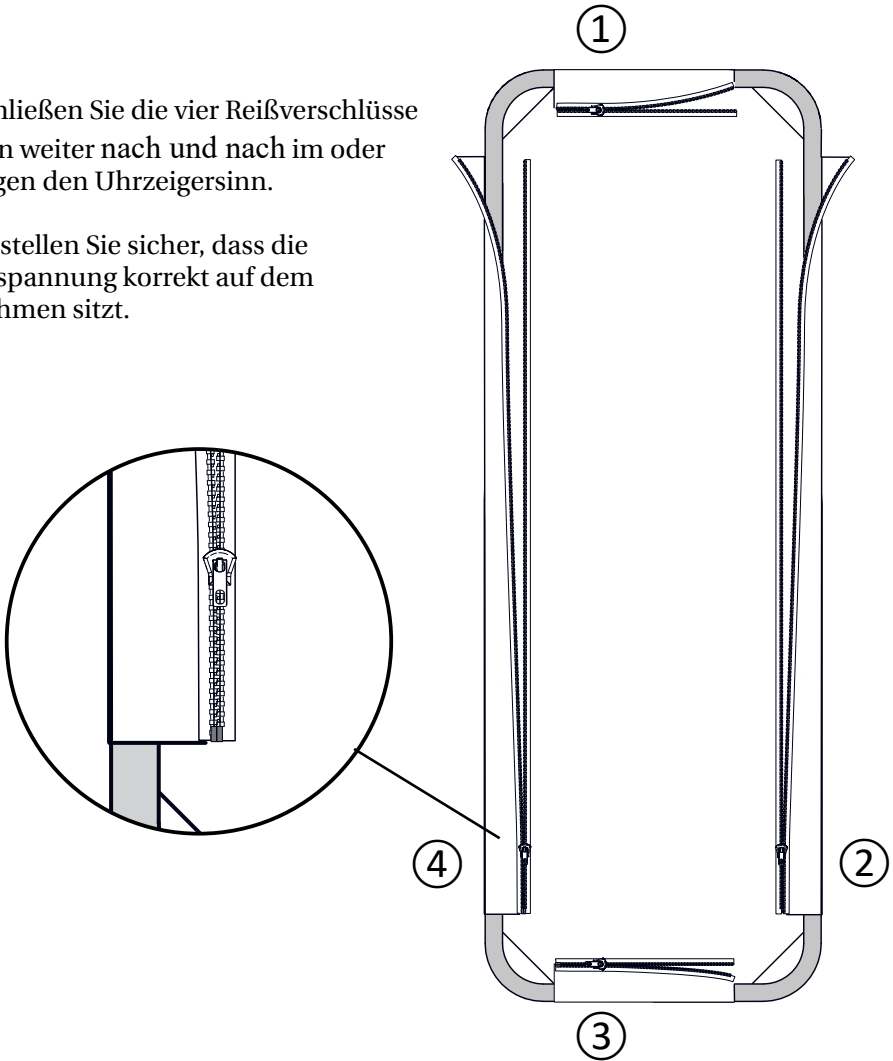
Bespannung mit Reißverschluss am Rahmen befestigen

Nachdem die Bespannung zum Waschen entfernt wurde, muss sie mit dem Reißverschluss wieder am Rahmen befestigt werden.

Schließen Sie alle Reißverschlüsse ca. 5 cm weit.

Schließen Sie die vier Reißverschlüsse nun weiter nach und nach im oder gegen den Uhrzeigersinn.

So stellen Sie sicher, dass die Bespannung korrekt auf dem Rahmen sitzt.



Reinigung

Das Produkt kann mit heißem Wasser oder einem milden Reinigungsmittel gereinigt werden.

Eine Liste geeigneter Reinigungsmittel, die von Pressalit geprüft wurden, finden Sie unter pressalit.com.



Lesen Sie immer das Material Sicherheitsdatenblatt und die Gebrauchsanweisung des verwendeten Reinigungsmittels, Desinfektionsmittels oder Entkalkers, und befolgen Sie die Anweisungen zu sicherem Gebrauch, Verdünnung, Abspülen, Trocknen, Handhabung und Lagerung.

WICHTIG

- Verwenden Sie keinen Autoklaven oder eine andere Art von Dampfreiniger.
- Verwenden Sie keine aggressiven, säurehaltigen Reinigungsmittel.
- Richten Sie niemals einen Hochdruckreiniger direkt auf das Produkt.
- Verwenden Sie keine scheuernden, korrosiven oder chlorhaltigen Reinigungs- oder Desinfektionsmittel.

de

Desinfektion

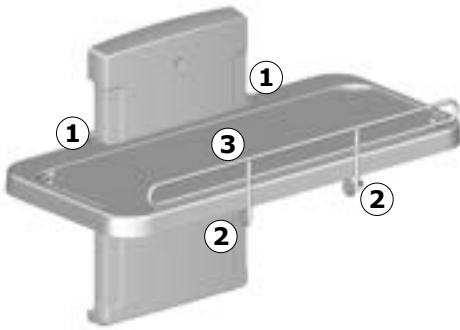
Wenn die Duschielie von mehreren Patienten genutzt wird, muss sie nach jedem Patienten gereinigt und desinfiziert werden, um Infektionen zu vermeiden. Eine Liste geeigneter Desinfektionsmittel kann unter pressalit.com eingesehen werden.

Wartung

Die erwartete Nutzungsdauer der Duschielie beträgt 10 Jahre, wenn sie wie nachstehend beschrieben gewartet wird:

Es wird empfohlen, die Motoren einmal pro Woche in die Extrempositionen zu bringen, damit die internen Bauteile geschmiert werden. Hierzu die Duschielie auf die maximale Höhe hochfahren und dann auf die niedrigste Höhe herunterfahren.

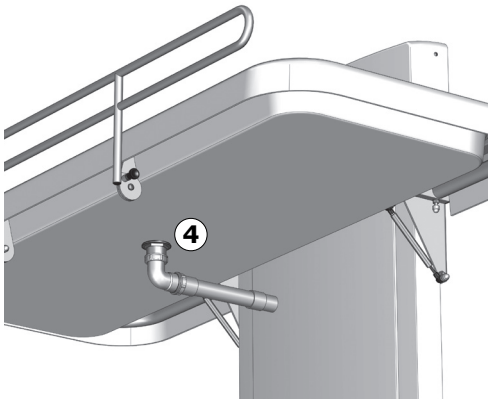
Es wird empfohlen, einmal im Jahr eine Wartungsinspektion durchzuführen.



Wartungsinspektion

- Überprüfen Sie die Scharniere ① an der Duschielie und am Seitengitter ②. Ziehen Sie sie bei Bedarf fest.
- Überprüfen Sie die Bespannung ③ auf Schäden und ersetzen Sie sie, falls erforderlich.

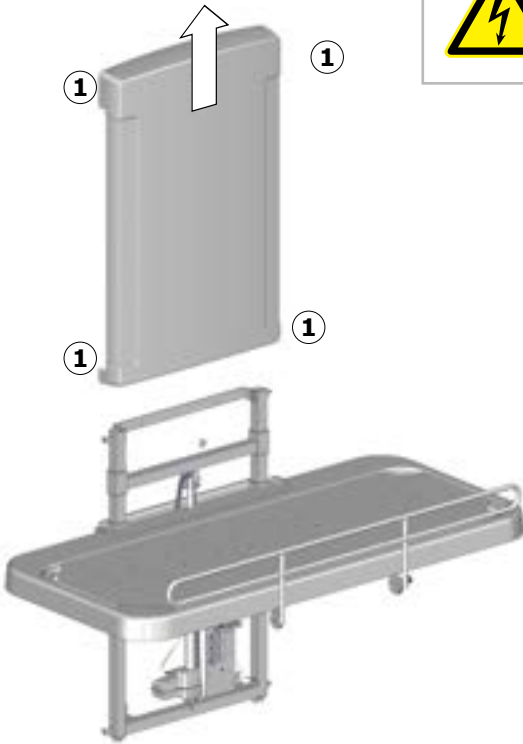
de



- Überprüfen Sie die Anschlüsse des Ablaufs ④, und überprüfen und reinigen Sie den Geruchsverschluss (sofern die Liege damit ausgestattet ist).

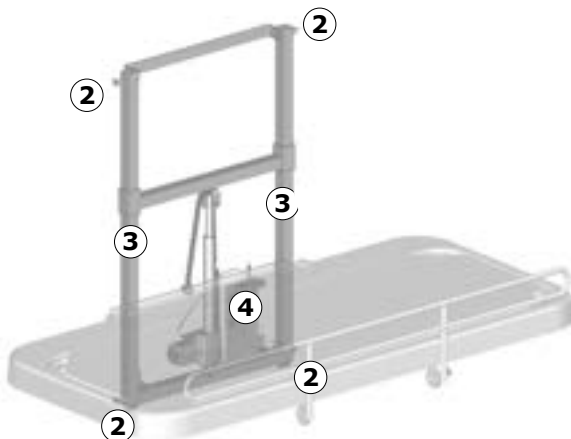


Ziehen Sie den Netzstecker, bevor Sie die Abdeckungen abnehmen.



- Entfernen Sie die oberen und unteren Befestigungsschrauben ① an der Abdeckung und nehmen Sie sie vorsichtig ab.

- Überprüfen Sie die Wandhalterungen ② und ziehen Sie sie bei Bedarf fest.

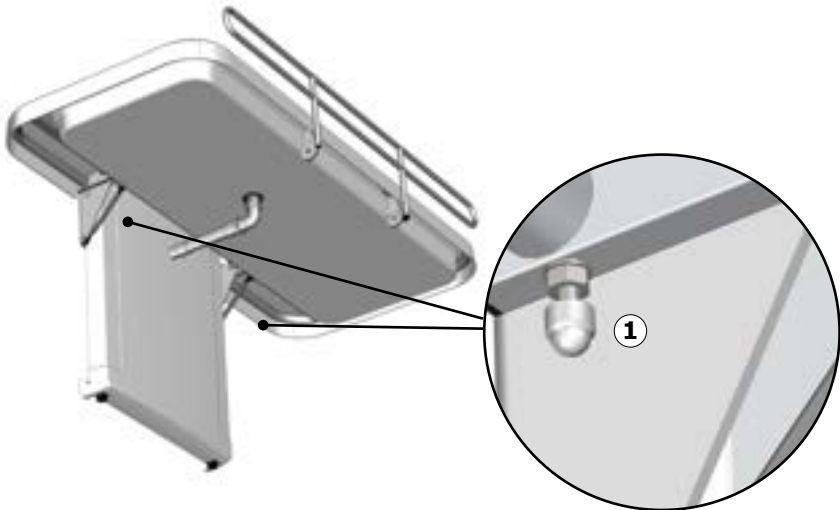


- Schmieren Sie bewegliche Teile, insbesondere die Gleithalterungen ③.
- Überprüfen Sie alle elektrischen Verbindungen zum Schaltkasten ④.
- Bringen Sie die Abdeckung der Hubeinheit wieder an und ziehen Sie die Schrauben fest.
- Schließen Sie den Netzstecker wieder an.

de

Fehlerbehebung

| Problem | Ursache | Abhilfe |
|--|--|---|
| Die Duschliege bleibt nicht in der hochgeklappten Position. | Die Gasdruckzylinder sind defekt. | Wenden Sie sich an Pressalit oder Ihren Händler vor Ort. |
| Die Liege lässt sich nicht bewegen, obwohl die Fernbedienung korrekt bedient wird. | Defekt in der Stromversorgung. | Überprüfen Sie, ob alle Kabel und Stecker intakt und richtig angeschlossen sind. Wenden Sie sich an Pressalit oder Ihren Händler vor Ort. |
| Das Wasser läuft nicht aus dem Auffangbecken ab. | Die Justierschrauben sind zu hoch oder zu niedrig eingestellt. | Verstellen Sie die Justierschrauben ①. |
| Die Duschliege ruckelt bei der Auf- und Abwärtsbewegung. | Die Gleithalterungen sind nicht richtig geschmiert. | Schmieren Sie die Gleithalterungen, siehe auch: "Wartung". |



Falls sich das Problem nicht beheben lässt, wenden Sie sich an Pressalit oder Ihren Händler. Versuchen Sie nicht, das Produkt selbst zu reparieren, da hierdurch die Garantie erlischt.

Elektromagnetische Verträglichkeit

Das Gerät ist für die Verwendung zu Hause, in Kindertagesstätten, in Tagesstätten für Menschen mit körperlichen oder geistigen Behinderungen oder in Krankenhäusern geeignet, nicht aber in der Nähe aktiver chirurgischer HF-Geräte und HF-abgeschirmter Räume mit medizinischen Systemen für die Magnetresonanztomografie mit hoher elektromagnetischer Störintensität.


Das Gerät hat keine Funktion zur Überprüfung der grundlegenden Sicherheit oder Leistung. Im Falle einer Beeinträchtigung der Leistung aufgrund elektromagnetischer Störungen kann der Patient dennoch auf das bzw. von dem Gerät gehoben werden.

| Kabel | Länge |
|---------------------------|----------------|
| Stromkabel | 3,2 m |
| Spiralkabel Fernbedienung | bis zu ca. 5 m |




- Die Verwendung von Zubehör, Messwandlern und Kabeln, die nicht vom Hersteller empfohlen oder bereitgestellt wurden, kann zu erhöhten elektromagnetischen Emissionen oder einer verringerten elektromagnetischen Störfestigkeit dieses Geräts führen und Fehlfunktionen zur Folge haben.
- Tragbare HF-Kommunikationsgeräte (einschließlich Peripheriegeräte wie Antennenkabel und externe Antennen) müssen in einem Abstand von mindestens 30 cm zum Gerät (auch zu den Kabeln) verwendet werden, damit das Gerät nicht in seiner Leistung beeinträchtigt wird.
- Die Verwendung dieses Geräts neben oder auf anderen Geräten ist nicht zulässig, da dies der bestimmungsgemäßen Verwendung widerspricht. Ist eine solche Verwendung dennoch erforderlich, muss die ordnungsgemäße Funktion aller involvierten Geräte sorgfältig überwacht werden.

Elektromagnetische Störfestigkeit

| Elektrostatische Entladung | |
|---|--|
|  | Elektrische Entladungen zwischen Mensch und Produkt dürfen das Gerät nicht in einer Weise beeinflussen, dass Aktionen ausgelöst werden oder Produktkomponenten Schaden nehmen. |
| Teststandard | Prüfung der Störfestigkeit |
| EN 61000-4-2 | +/- 8 kV (Kontakt) +/- 2, 4, 8, 15 kV (Luft) |

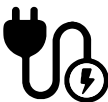
| Elektromagnetisches HF-Strahlungsfeld | |
|---|---|
|  | Das Produkt darf nicht durch ausstrahlende HF-Signale beeinflusst werden. Dazu zählen u. a. Signale von Mobiltelefonen oder Radios, die bestimmte Aktionen auslösen oder Schäden an bestimmten Produktkomponenten verursachen würden. |
| Teststandard | Prüfung der Störfestigkeit |
| EN 61000-4-3 | 15 V/m 80 MHz bis 1000 MHz (nur Vorderseite) 15 V/m 1,01 GHz bis 3 GHz 80 % AM 1 kHz |


Störfestigkeit gegenüber HF-Feldern von in der Nähe befindlichen drahtlosen Kommunikationsgeräten


| | |
|---|---|
|  | <p>Das Produkt darf nicht durch ausstrahlende HF-Signale beeinflusst werden. Dazu zählen u. a. Signale von Mobiltelefonen oder Radios, die bestimmte Aktionen auslösen oder Schäden an bestimmten Produktkomponenten verursachen würden.</p> |
| <p>Test-standard</p> | <p>Prüfung der Störfestigkeit</p> |
| <p>EN 61000-4-3*</p> | <p>385 MHz, 27 V/m, 18 Hz PM (50 % Betriebszyklus, Rechteckwelle) 450 MHz, 28 V/m, FM +/- 5 kHz Abweichung, 1 kHz Sinus 710 MHz, 9 V/m, 217 Hz PM (50 % Betriebszyklus, Rechteckwelle) 745 MHz, 9 V/m, 217 Hz PM (50 % Betriebszyklus, Rechteckwelle) 780 MHz, 9 V/m, 217 Hz PM (50 % Betriebszyklus, Rechteckwelle) 810 MHz, 28 V/m, 18 Hz PM (50 % Betriebszyklus, Rechteckwelle) 870 MHz, 28 V/m, 18 Hz PM (50 % Betriebszyklus, Rechteckwelle) 930 MHz, 28 V/m, 18 Hz PM (50 % Betriebszyklus, Rechteckwelle) 1720 MHz, 28 V/m, 217 Hz PM (50 % Betriebszyklus, Rechteckwelle) 1845 MHz, 28 V/m, 217 Hz PM (50 % Betriebszyklus, Rechteckwelle) 1970 MHz, 28 V/m, 217 Hz PM (50 % Betriebszyklus, Rechteckwelle) 2450 MHz, 28 V/m, 217 Hz PM (50 % Betriebszyklus, Rechteckwelle) 5240 MHz, 9 V/m, 217 Hz PM (50 % Betriebszyklus, Rechteckwelle) 5500 MHz, 9 V/m, 217 Hz PM (50 % Betriebszyklus, Rechteckwelle) 5785 MHz, 9 V/m, 217 Hz PM (50 % Betriebszyklus, Rechteckwelle)</p> |


de

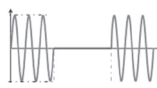
Schnelle transiente elektrische Störgrößen/Bursts

| | |
|---|---|
|  | <p>Das Produkt darf nicht durch schnelle Impulssignale über das Kabel beeinträchtigt werden. Dadurch könnten die Komponenten Schaden nehmen oder das Produkt Aktionen auslösen.</p> |
| <p>Test-standard</p> | <p>Prüfung der Störfestigkeit</p> |
| <p>EN 61000-4-4</p> | <p>+/- 1 kV, +/- 2 kV 100 kHz Wiederholrate</p> |


| Überspannungsfestigkeit | |
|---|--|
|  | Das Produkt darf nicht in einer Weise beeinflusst werden, dass durch einen Stromschlag Aktionen ausgelöst werden oder Produktkomponenten Schaden nehmen. |
| Test-standard | Prüfung der Störfestigkeit |
| EN 61000-4-5 | Leitung-zu-Leitung: +/- 0,5 kV, +/- 1 kV Leitung-zu-Erde: +/- 0,5 kV, +/- 1 kV, +/- 2 kV |


| Störfestigkeit gegenüber durch HF-Felder induzierte geleitete Störgrößen | |
|---|---|
|  | Die Kabel dürfen nicht durch andere HF-Felder insofern beeinflusst werden, dass Aktionen ausgelöst werden oder Produktkomponenten Schaden nehmen. |
| Test-standard | Prüfung der Störfestigkeit |
| EN 61000-4-6 | 3 V (6 V in ISM-Bändern und Amateurfunkbereichen) 0,15 bis 80 MHz, 80 % AM bei 1 kHz |


| Spannungsabfall | |
|--|---|
|  | Das Produkt darf bei einem Spannungsabfall keine Aktionen auslösen oder einschränken. |
| Tests-standard | Prüfung der Störfestigkeit |
| EN 61000-4-11 | 0 % U _T ; 0,5 Zyklen bei 0°, 45°, 90°, 135°, 180°, 225°, 270° und 315°; 0 % U _T ; 1 Zyklus bei 0°; 70 % U _T ; 25 Zyklen bei 0° Einhäufig bei 0° |


| Spannungsunterbrechungen | |
|--|---|
|  | Das Produkt darf bei einer kurzen Spannungsunterbrechung keine Aktionen auslösen oder einschränken. |
| Test-standard | Prüfung der Störfestigkeit |
| EN 61000-4-11 | 0 % U _T ; 300 Zyklen |

Elektromagnetische Emissionen

| Leitfähige HF-Emissionen | |
|---|--|
|  | Das Produkt darf keine übermäßigen Störsignale in das Netz einbringen. Dies könnte zu Störungen anderer Produkte führen. |
| Teststandard | Klasse und Gruppe der Emissionskontrolle |
| EN 55011 | Klasse B, Gruppe 1 |

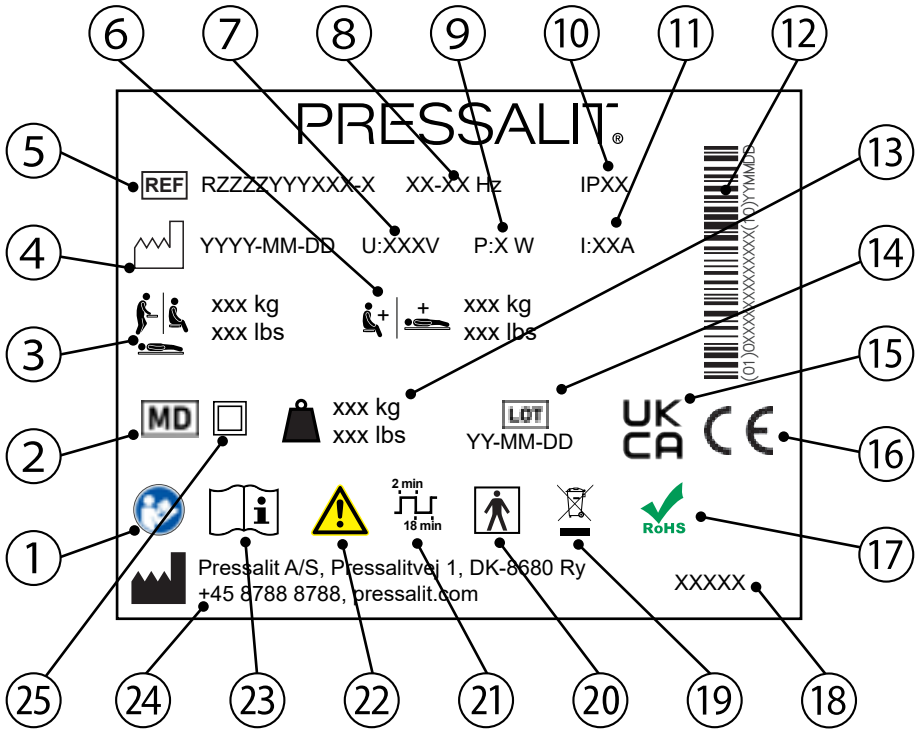
| Ausstrahlende HF-Emissionen | |
|---|--|
|  | Das Produkt darf keine HF-Signale in den Raum abgeben. Dies könnte zu Störungen anderer Produkte führen. |
| Teststandard | Klasse und Gruppe der Emissionskontrolle |
| EN 55011 | Klasse B, Gruppe 1 |

| Emissionen von Oberschwingungsstrom | |
|---|--|
|  | Das Produkt darf nicht unkontrolliert Strom aus dem Netz beziehen. |
| Teststandard | Klasse und Gruppe der Emissionskontrolle |
| IEC 61000-3-2 | Klasse A |

| Spannungsänderungen, Spannungsschwankungen und Flackern | |
|---|---|
|  | Das Produkt darf andere Produkte nicht beeinträchtigen, wenn es an das Stromnetz angeschlossen ist. Dazu zählen u. a. Lampen, die durch Flackern die Personen im Raum stören könnten. |
| Teststandard | Klasse und Gruppe der Emissionskontrolle |
| EN 61000-3-3 | Standardgemäß geprüft. |

de

Typenschild



de

1 Gebrauchsanweisung beachten.

2 Medizinprodukt

3 Maximales Gewicht des Benutzers

4 Herstellungsdatum

5 Artikelnummer

6 Maximale Belastbarkeit

7 Netzspannung

8 Frequenz

9 Maximale Leistungsaufnahme

⑩ IP-Klasse

⑪ Elektrischer Strom

⑫ GS1-128-Barcode

⑬ Gewichtangabe

⑭ Chargennummer

⑮ UKCA-Kennzeichnung (UK Conformity Assessed)

Diese Produkte tragen das CE-Zeichen und erfüllen alle relevanten Anforderungen gemäß:

- Verordnung (EU) 2017/745 (vom 5. April 2017) über Medizinprodukte

⑯

- Richtlinie 2006/42/EG des Rates (vom 17. Mai 2006) für Maschinen

- Richtlinie 2011/65/EG des Rates (vom 8. Juni 2011) zu RoHS (engl. Restriction of Hazardous Substances, Beschränkung gefährlicher Stoffe)

Eine Konformitätserklärung kann unter pressalit.com eingesehen werden.

⑰

Dieses Produkt enthält keinen der in der Richtlinie 2011/65/EG des Rates zu RoHS genannten Gefahrstoffe.

⑱

Produktname (sofern vorhanden)

⑲

Nicht im Hausmüll entsorgen. Das Produkt muss separat entsorgt und der entsprechenden Wiederverwertung zugeführt werden.

Teil mit Patientenkontakt, Typ BF. Ein Teil des Produkts kommt bei normalem Gebrauch notwendigerweise in physischen Kontakt mit dem Patienten, um seine vorgesehene Funktion zu erfüllen. Das Gerät entspricht den Anforderungen der IEC 60601-1 zum Schutz vor elektrischem Schlag.

⑳

Betriebszyklus

㉑

Wichtige Sicherheitshinweise und Vorsichtsmaßnahmen in der Gebrauchsanweisung beachten.

㉒

Gebrauchsanweisung beachten.

㉓

Name und Anschrift des Herstellers

㉔

Doppelt isoliertes elektrisches Gerät

Technische Daten

| | |
|-------------|--|
| Materialien | Edelstahl, pulverbeschichtet Kunststoff: PVC (Canvas) Polystyrol (Abdeckung) |
| IP-Klasse | Das Gerät hat die Schutzart IPX6. Das Gerät darf nicht in Wasser eingetaucht werden, es ist jedoch gegen starken Wasserstrahl (12,5-mm-Düse) aus jeglicher Richtung geschützt. |

Entsorgung und Wiederverwertung

Das Produkt enthält wiederverwertbare Materialien. Die Entsorgung des Produkts ist mit keinen bekannten Gefahren oder Risiken verbunden. Alle Komponenten können entsorgt werden, nachdem sie gereinigt und desinfiziert wurden.

Wir empfehlen, das Produkt zur Entsorgung zu zerlegen und in die verschiedenen Abfallfraktionen für die Wiederverwertung oder Verbrennung zu trennen.

Die folgende Tabelle enthält weitere Angaben zur Wiederverwertung und Entsorgung des Produkts.

de

| Wiederwertbare Komponenten | Material |
|-----------------------------------|---|
| Stahl | Stahl kann durch Einschmelzen wiederverwertet werden und als Sekundärmaterial in die Produktion von Neustahl einfließen. |
| Kunststoff | Nutzen Sie die örtlich verfügbaren Trenn- und Recyclingsysteme. Ansonsten hat die Verbrennung von Kunststoff den zusätzlichen Vorteil, dass dabei Energie erzeugt wird, die beispielsweise für die kombinierte Erzeugung von Wärme und Strom genutzt werden kann. |
| Elektronik | Die elektronischen Komponenten müssen separat entsorgt und der entsprechenden Wiederverwertung zugeführt werden. |

Sommaire

| | |
|--|----|
| Notice de montage..... | 71 |
| Signalétique opérationnelle..... | 71 |
| Symboles utilisés dans ce manuel..... | 72 |
| Mesures de sécurité générales..... | 73 |
| Usage prévu..... | 74 |
| Profil d'opérateur prévu..... | 74 |
| Profil d'utilisateur prévu..... | 74 |
| Environnement d'exploitation..... | 74 |
| Contre-indications liées à l'utilisation..... | 74 |
| Biocompatibilité..... | 74 |
| Mode d'emploi..... | 75 |
| Barrière de sécurité..... | 76 |
| Réglage en hauteur..... | 77 |
| Housse en toile/filet micro-aéré..... | 78 |
| Installation de la housse sur le cadre avec les fermetures Éclair..... | 79 |
| Nettoyage..... | 80 |
| Désinfection..... | 80 |
| Entretien..... | 81 |
| Contrôle de maintenance..... | 81 |
| Dépannage..... | 83 |
| Compatibilité électromagnétique..... | 84 |
| Immunité électromagnétique..... | 85 |
| Émission électromagnétique..... | 88 |
| Étiquette du produit..... | 89 |
| Données techniques..... | 91 |
| Mise au rebut et recyclage..... | 91 |

fr

Notice de montage



Une notice de montage est incluse avec le produit. Elle est également téléchargeable sur le site pressalit.com.

Signalétique opérationnelle



Une signalétique opérationnelle est incluse avec le produit. Elle est également téléchargeable sur le site pressalit.com.

Symboles utilisés dans ce manuel

Les symboles qui suivent sont utilisés dans ce manuel ainsi que dans la documentation associée fournis avec le produit.



AVERTISSEMENT indique une situation potentiellement dangereuse susceptible d'entraîner la mort ou de graves blessures si elle n'est pas évitée.





ATTENTION indique une situation potentiellement dangereuse susceptible d'entraîner des blessures légères ou modérées si elle n'est pas évitée. Il peut également être utilisé pour alerter contre des pratiques dangereuses.



IMPORTANT indique des informations importantes sur la manipulation et l'utilisation du produit.



REMARQUE est utilisé pour aborder des pratiques non associées à la sécurité personnelle.

| | | | |
|---|--|--|---|
|  <p>Avertissement de risque de blessure à la main</p> |  <p>Avertissement de risque de blessure de la tête</p> |  <p>Avertissement relatif à l'électricité / la tension</p> |  <p>Ne pas laisser un patient sans surveillance</p> |
|  <p>Pièces de rechange</p> |  <p>Caractéristiques électriques</p> |  <p>Numéro d'article / versions</p> | |
|  <p>Poids du produit</p> |  <p>Poids maximal de l'utilisateur</p> | | |

Mesures de sécurité générales



AVERTISSEMENT

- Il est nécessaire de lire et de comprendre le manuel dans son intégralité avant d'utiliser le produit. Conserver le manuel près de l'unité.
- Respecter les instructions de ce manuel pour éviter tout accident impliquant de graves blessures corporelles.
- Ne jamais utiliser ou manipuler ce produit d'une autre manière que celle spécifiée dans ce manuel, car cela risquerait de mettre en danger votre sécurité et d'endommager le produit.
- Veiller à ce que toute personne devant installer ou utiliser le produit et ses systèmes dispose des informations nécessaires et puisse accéder à ce manuel.



ATTENTION

- Respecter ces instructions pour éviter d'endommager ou de détruire le produit.
- Ne pas procéder à des réparations, démontages, montages, extensions, réajustements ou modifications de ce produit. Ces opérations doivent être réalisées uniquement par Pressalit ou des personnes autorisées par Pressalit.
- Ne jamais permettre à des enfants d'utiliser ce produit, sauf sous surveillance. Le produit n'est pas destiné au jeu.
- Ne jamais utiliser le produit s'il est défectueux ou endommagé. Ne pas utiliser un produit défectueux avant de l'avoir fait réparer.

REMARQUE

- Les informations contenues dans ce manuel reposent sur une installation correcte du produit selon la notice de montage.
- Pressalit ne saurait être tenu responsable en cas d'utilisation du produit autre que celle décrite dans le manuel.
- Nous nous réservons le droit de modifier ce manuel sans préavis.

Usage prévu

Ce produit est conçu pour laver une personne qui n'est pas en mesure de tenir debout ou de s'asseoir. La personne est allongée horizontalement sur la table de douche.

Profil d'opérateur prévu

Le produit est destiné à être utilisé par une personne formée aux soins de santé et/ou à la toilette des personnes qui lui sont confiées.

Profil d'utilisateur prévu

Le produit peut être utilisé par toute personne - adulte, enfant, adolescent, personne âgée - dont le poids ne dépasse pas la **charge maximale de 200 kg**.

Environnement d'exploitation

Pour un usage en intérieur dans un environnement humide tel qu'une salle de bain. Le produit est prévu pour être utilisé à température ambiante dans des logements privés, services hospitaliers de long séjour et hôpitaux, dans des conditions de fonctionnement normales.

Contre-indications liées à l'utilisation

L'utilisation de l'unité n'est pas recommandée pour les patients perfusés ou disposant d'une pompe à insuline, les patients présentant des maladies inflammatoires de la peau ou les patients fiévreux.

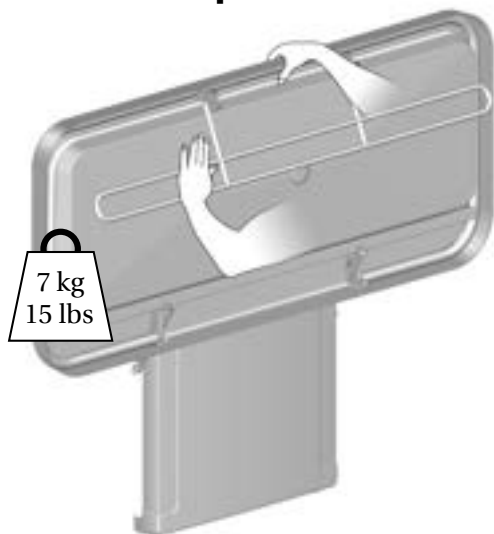
fr

Il est possible d'utiliser l'unité pour les patients souffrant d'insuffisance cardiaque, de maladies cardiovasculaires, de traumatismes cranio-cérébraux, de plaies ouvertes ou disposant de tubulures d'alimentation ou de drainage (par ex. cathéter, tube de drainage) uniquement après avoir consulté le médecin traitant.

Biocompatibilité

Les matériaux en contact avec la peau du patient au cours de l'usage prévu ont été évalués quant à leur teneur en substances nocives conformément aux procédures de la norme NF EN ISO 10993-1:2021 Évaluation biologique des dispositifs médicaux — Partie 1. Ils sont donc considérés comme adaptés à cette fin.

Mode d'emploi



7 kg
15 lbs

Soutenez la table de douche à l'aide d'une main ou du poids de votre corps lorsque vous la déployez pour éviter tout risque de dommage.

Les compensation à gaz intégrées permettent de replier facilement la table de douche contre le mur après son utilisation.



Attention au risque de blessure aux mains à proximité de pièces mécaniques se fermant.

ATTENTION

Il est nécessaire de toujours être vigilant lorsque l'on monte et descend une personne de la table de douche.

fr

ATTENTION

La surface du produit peut être chaude et/ou froide si elle est exposée à des sources externes de chaleur ou de froid (par exemple, le soleil ou le gel).

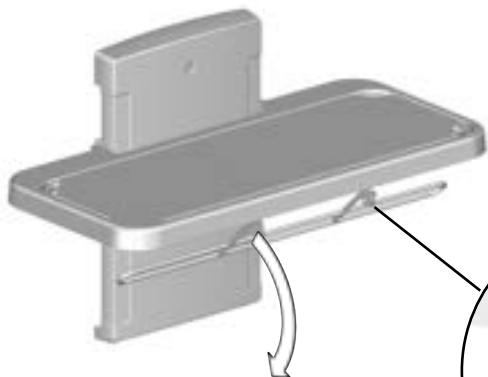
REMARQUE

Tout incident survenu en lien avec le produit doit être signalé au fabricant et aux autorités sanitaires.

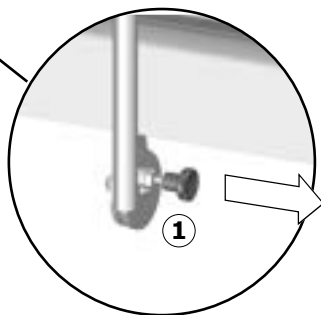
Barrière de sécurité



Pour lever la barrière de sécurité : faites pivoter la barrière du dessous de la table de douche vers le haut. La barrière de sécurité se verrouille automatiquement en position.



Pour replier la barrière de sécurité : libérez le verrouillage ① puis faites pivoter la barrière de sécurité vers le bas en direction du dessous de la table de douche.



fr



ATTENTION

Ne **jamais** laisser une personne se coucher sur la table de douche si la housse n'est pas installée. Le plateau situé sous les coussins est réservé à la collecte de l'eau. Il ne peut pas servir de baignoire. L'utilisateur risque de se blesser et le produit peut être endommagé.

Réglage en hauteur



Lorsque la table de douche est installée à la hauteur recommandée, elle peut être réglée entre 480 et 880 mm au-dessus du sol.

Le réglage de la hauteur s'effectue à l'aide de la télécommande filaire.



Appuyez sur la flèche du haut et maintenez-la enfoncée pour lever l'unité.
Le mouvement s'arrête dès que vous relâchez la touche.



Appuyez sur la flèche du bas et maintenez-la enfoncée pour baisser l'unité.
Le mouvement s'arrête dès que vous relâchez la touche.



Pour éviter tout risque d'étranglement, assurez-vous que la télécommande filaire est placée dans son support lorsqu'elle n'est pas utilisée.

fr



Attention au risque de blessure des mains et de la tête à proximité de pièces mécaniques mobiles.



ATTENTION

Ne jamais placer d'objets en dessous de la table de douche.



Ne pas laisser un patient sans surveillance.

Housse en toile/filet micro-aéré



fr

Le cadre équipé de la housse peut être retiré pour le nettoyage.
La housse peut être détachée et lavée en machine à 70 °C maximum.

Séchez le bac récupérateur d'eau.

Installation de la housse sur le cadre avec les fermetures Éclair

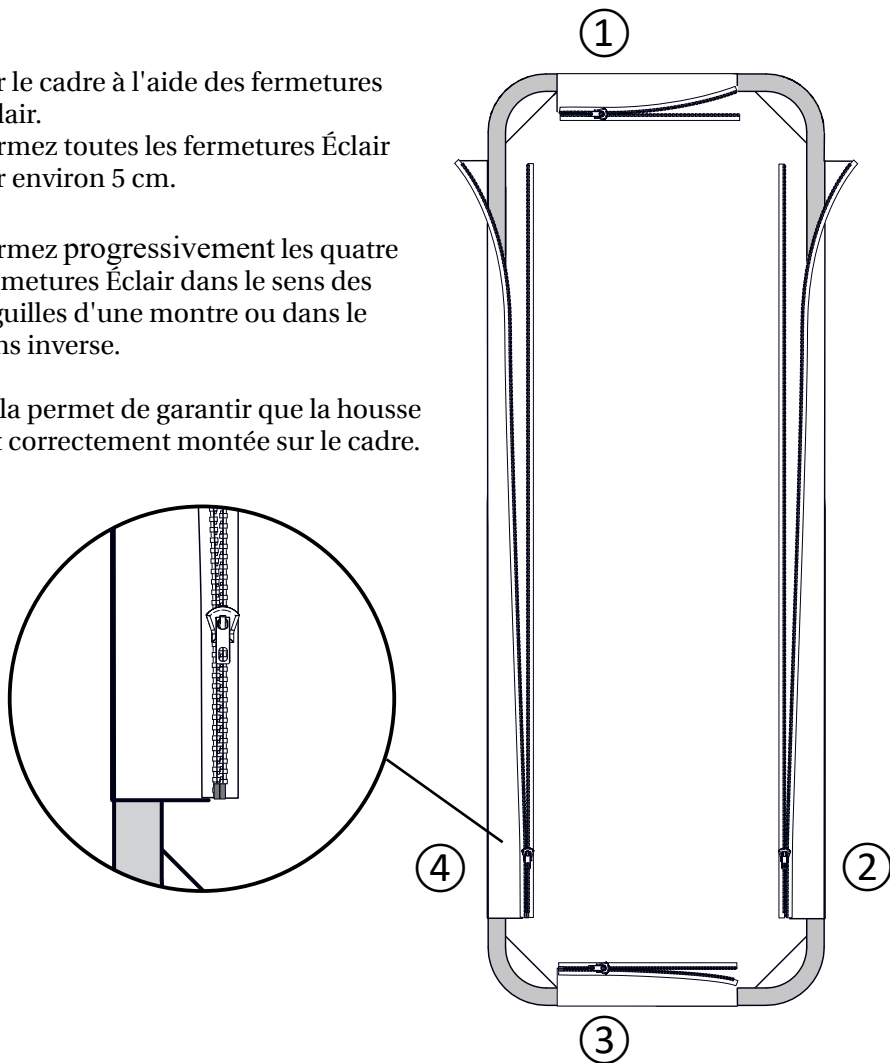
Lorsque la housse a été retirée pour être lavée, elle doit être remise en place

sur le cadre à l'aide des fermetures Éclair.

Fermez toutes les fermetures Éclair sur environ 5 cm.

Fermez progressivement les quatre fermetures Éclair dans le sens des aiguilles d'une montre ou dans le sens inverse.

Cela permet de garantir que la housse est correctement montée sur le cadre.



Nettoyage

Le produit doit être nettoyé à l'aide d'eau chaude ou d'un agent nettoyant légèrement savonneux.

Vous trouverez une liste d'agents de nettoyage testés par Pressalit sur le site pressalit.com.

ATTENTION

Toujours lire les fiches techniques de sécurité du matériel et les notices fournies de l'agent de nettoyage, de désinfection ou de détartrage, et respecter les instructions relatives à l'utilisation sécurisée, la dilution, le rinçage, le séchage, la manipulation et le stockage de l'agent.

IMPORTANT

- Ne pas utiliser d'autoclave ou tout autre type de nettoyeur à vapeur.
- Éviter les agents de nettoyage agressifs contenant des acides.
- Ne jamais asperger le produit directement à l'aide d'un nettoyeur haute pression.
- Éviter d'utiliser des produits de nettoyage ou de désinfection abrasifs, corrosifs ou à base de chlore.

fr

Désinfection

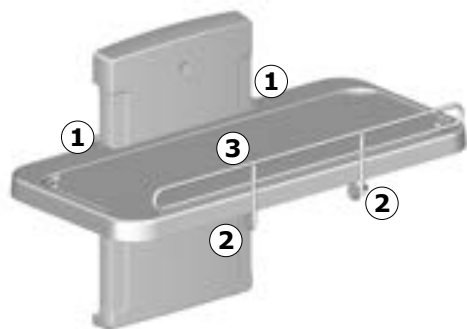
Lors de l'utilisation de la table de douche pour différents patients, il est nécessaire de la nettoyer et de la désinfecter entre les diverses utilisations afin d'éviter tout risque d'infection croisée. Une liste de désinfectants adaptés est disponible sur pressalit.com.

Entretien

La durée de vie prévue de la table de douche est de 10 ans, à condition que l'entretien soit effectué comme décrit ci-dessous :

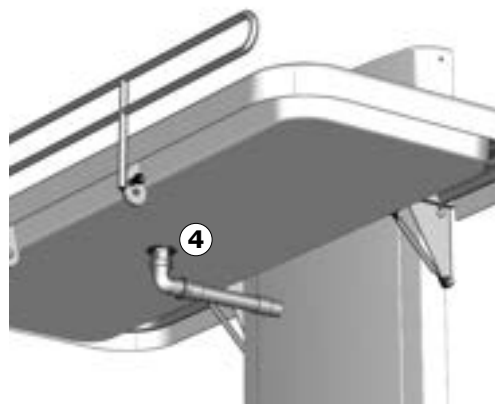
Il est recommandé de faire fonctionner les moteurs du produit à leurs positions maximales de manière hebdomadaire en levant la table de douche à sa position la plus haute puis en la descendant à sa position la plus basse afin de lubrifier les pièces internes.

Il est recommandé d'effectuer un contrôle de maintenance une fois par an.



Contrôle de maintenance

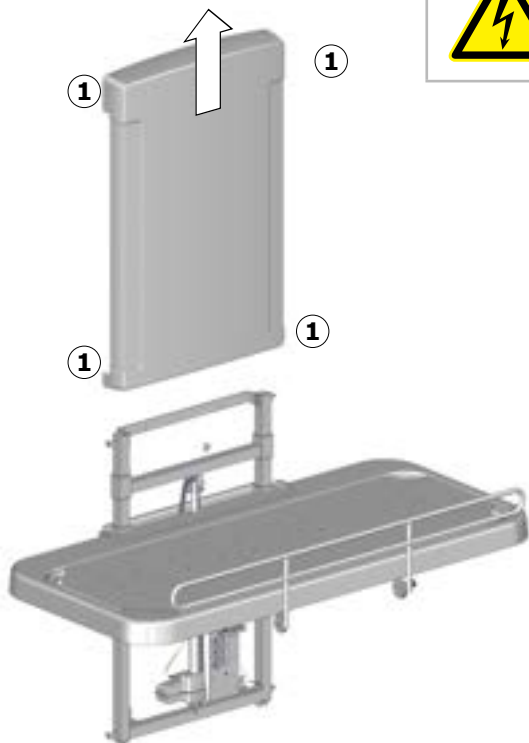
- Vérifiez les charnières ① au niveau de la table de douche et de la barrière de sécurité ②. Serrez-les le cas échéant.
- Vérifiez que la housse ③ n'est pas endommagée et remplacez-la le cas échéant.



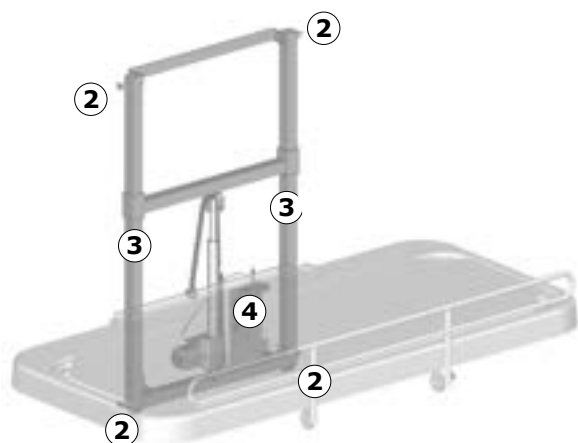
- Vérifiez les raccords du tuyau d'évacuation ④, puis vérifiez et nettoyez le siphon (si disponible).



**Débranchez
l'alimentation avant de
retirer les couvercles.**



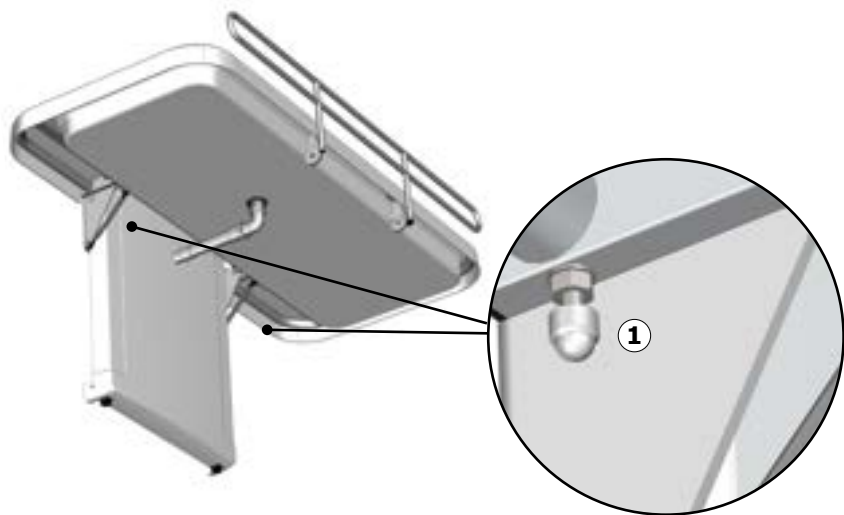
- Retirez les vis de fixation supérieure et inférieure ① du couvercle, puis retirez-le avec précaution.



- Vérifiez les fixations murales ② et serrez-les le cas échéant.
- Graissez les pièces mobiles, en particulier les traverses coulissantes ③.
- Vérifiez tous les raccords électriques au boîtier de commande ④.
- Remettez le couvercle de l'unité de levage en place et serrez les vis de fixation.
- Rebranchez l'alimentation.

Dépannage

| Problème | Cause | Mesure |
|--|---|--|
| La table de douche ne reste pas en position verticale. | Les compensations à gaz sont défectueuses. | Contactez Pressalit ou votre représentant local. |
| Le produit ne fonctionne pas, bien que la télécommande soit correctement utilisée. | Problème au niveau de l'alimentation électrique. | Vérifiez que tous les câbles et prises sont intacts et correctement raccordés. Contactez Pressalit ou votre représentant local. |
| L'eau ne sort pas du bac récupérateur d'eau. | Vis de réglage trop hautes ou trop basses. | Réglez les vis de réglage ①. |
| La table de douche monte et descend de façon irrégulière. | Les traverses coulissantes ne sont pas bien lubrifiées. | Graissez les traverses coulissantes comme décrit à la section "Entretien". |



fr

Contactez Pressalit ou votre représentant si vous ne parvenez pas à résoudre le problème. N'essayez pas de réparer vous-même le produit car cela annulerait la garantie.

Compatibilité électromagnétique

Le dispositif est adapté à une utilisation à domicile, dans les centres de soins et les centres accueillant les personnes souffrant de handicaps physiques ou mentaux et dans les hôpitaux, sauf à proximité d'appareils chirurgicaux à haute fréquence et de salles radio protégées équipées de systèmes médicaux d'imagerie par résonance magnétique provoquant des perturbations électromagnétiques de forte intensité.

Le dispositif ne présente pas de fonction relative à la sécurité de base ou aux performances essentielles. En cas de perte ou de dégradation des performances en lien avec des perturbations électromagnétiques, l'utilisateur peut tout de même descendre de la table puis remonter.


| Câble | Longueur |
|---|----------------|
| Câble d'alimentation | 3,2 m |
| Câble en spirale pour commande manuelle | Env. 5 m tendu |




AVERTISSEMENT


- L'usage d'accessoires, de transducteurs et de câbles autres que ceux spécifiés ou fournis par le fabricant risquent de provoquer une augmentation des émissions électromagnétiques ou une réduction de l'immunité électromagnétique de cet équipement et d'entraîner un fonctionnement inapproprié.
- Les équipements de communication à radiofréquence portables (y compris les périphériques comme les câbles d'antenne et antennes externes) ne doivent pas être utilisés à une distance de moins de 30 cm de toute pièce de l'unité, câbles compris, afin d'éviter tout risque de dégradation des performances de cette unité.
- Il convient d'éviter toute utilisation de cet équipement conjointement ou superposée avec d'autres équipements pouvant provoquer un fonctionnement inadéquat. Si une telle utilisation est inévitable, cet équipement et les équipements utilisés conjointement doivent être inspectés pour vérifier leur fonctionnement normal.

Immunité électromagnétique

| Décharge électrostatique | |
|---|---|
|  | Le produit ne doit être exposé à aucune décharge électrique entre la personne et les matériaux pouvant initier des actions ou rendre les composants défectueux. |
| Norme de test | Niveau d'essai d'immunité |
| EN 61000-4-2 | +/- 8 kV contact +/- 2, 4, 8, 15 kV air |

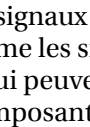
| Champ électromagnétique de radiofréquences par rayonnement | |
|---|---|
|  | Le produit ne doit pas être exposé à des signaux de radiofréquences par rayonnement, comme les signaux émis par les téléphones portables ou les radios, qui peuvent entraîner une action du produit ou rendre certains composants défectueux. |
| Norme de test | Niveau d'essai d'immunité |
| EN 61000-4-3 | 15 V/m 80 MHz à 1 000 MHz (à l'avant uniquement) 15 V/m 1,01 GHz à 3 GHz 80 % AM 1 kHz |

Immunité aux champs de proximité des équipements de communication sans fil RF

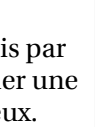
| | |
|---|---|
|  | <p>Le produit ne doit pas être exposé à des signaux de radiofréquences par rayonnement, comme les signaux émis par les téléphones portables ou les radios, qui peuvent entraîner une action du produit ou rendre certains composants défectueux.</p> |
| <p>Norme de test</p> | <p>Niveau d'essai d'immunité</p> |
| <p>EN 61000-4-3*</p> | <p>385 MHz, 27V/m, 18 Hz PM (onde carrée à un cycle de marche de 50 %) 450 MHz, 28V/m, déviation FM +/- 5 kHz, onde sine 1 kHz 710 MHz, 9V/m, 217 Hz PM (onde carrée à un cycle de marche de 50 %) 745 MHz, 9V/m, 217 Hz PM (onde carrée à un cycle de marche de 50 %) 780 MHz, 9V/m, 217 Hz PM (onde carrée à un cycle de marche de 50 %) 810 MHz, 28V/m, 18 Hz PM (onde carrée à un cycle de marche de 50 %) 870 MHz, 28V/m, 18 Hz PM (onde carrée à un cycle de marche de 50 %) 930 MHz, 28V/m, 18 Hz PM (onde carrée à un cycle de marche de 50 %) 1720 MHz, 28V/m, 217 Hz PM (onde carrée à un cycle de marche de 50 %) 1845 MHz, 28V/m, 217 Hz PM (onde carrée à un cycle de marche de 50 %) 1970 MHz, 28V/m, 217 Hz PM (onde carrée à un cycle de marche de 50 %) 2450 MHz, 28V/m, 217 Hz PM (onde carrée à un cycle de marche de 50 %) 5240 MHz, 9V/m, 217 Hz PM (onde carrée à un cycle de marche de 50 %) 5500 MHz, 9V/m, 217 Hz PM (onde carrée à un cycle de marche de 50 %) 5785 MHz, 9V/m, 217 Hz PM (onde carrée à un cycle de marche de 50 %)</p> |

fr

Transitoire électrique rapide / rafale


| | |
|---|---|
|  | <p>Le produit ne doit pas être exposé à des impulsions rapides à travers le câble. Cela peut rendre les composants défectueux ou entraîner une action initiée par le produit.</p> |
| <p>Norme de test</p> | <p>Niveau d'essai d'immunité</p> |
| <p>EN 61000-4-4</p> | <p>+/- 1 kV, +/- 2 kV Fréquence de répétition 100 kHz</p> |

Immunité aux surtensions

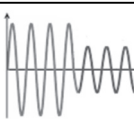
| | |
|--|---|
|  | <p>Le produit ne doit pas être exposé au risque d'initier des actions ou de rendre des composants défectueux en conséquence de la foudre.</p> |
|--|---|

| Norme de test | Niveau d'essai d'immunité |
|----------------------|---|
| EN 61000-4-5 | Phase-phase : +/- 0,5 kV, +/- 1 kV Phase-terre : +/- 0,5 kV +/- 1 kV, +/- 2 kV |

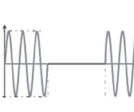
Immunité aux perturbations transmises par conduction et induites par des champs de radiofréquences

|  | Le câblage ne doit pas être exposé à d'autres champs de radiofréquences pouvant initier des actions ou rendre certains composants défectueux. |
|---|---|
| Norme de test | Niveau d'essai d'immunité |
| EN 61000-4-6 | 3 V (6 V pour les bandes ISM et bandes radio amateur) 0,15 à 80 MHz, 80 % AM à 1 kHz |


Creux de tension


|  | Le produit ne doit pas pouvoir initier ou limiter des actions en conséquence d'une baisse de l'alimentation électrique. |
|--|---|
| Norme de test | Niveau d'essai d'immunité |
| EN 61000-4-11 | 0 % U_T ; 0,5 cycle à 0°, 45°, 90°, 135°, 180°, 225°, 270° et 315°, 0 % U_T ; 1 cycle à 0°, 70 % U_T ; 25 cycles à 0° Monophasé à 0° |


Coups de tension


|  | Le produit ne doit pas pouvoir initier ou limiter des actions en conséquence d'une coupure momentanée de l'alimentation électrique. |
|--|---|
| Norme de test | Niveau d'essai d'immunité |
| EN 61000-4-11 | 0 % U_T ; 300 cycles |

Émission électromagnétique

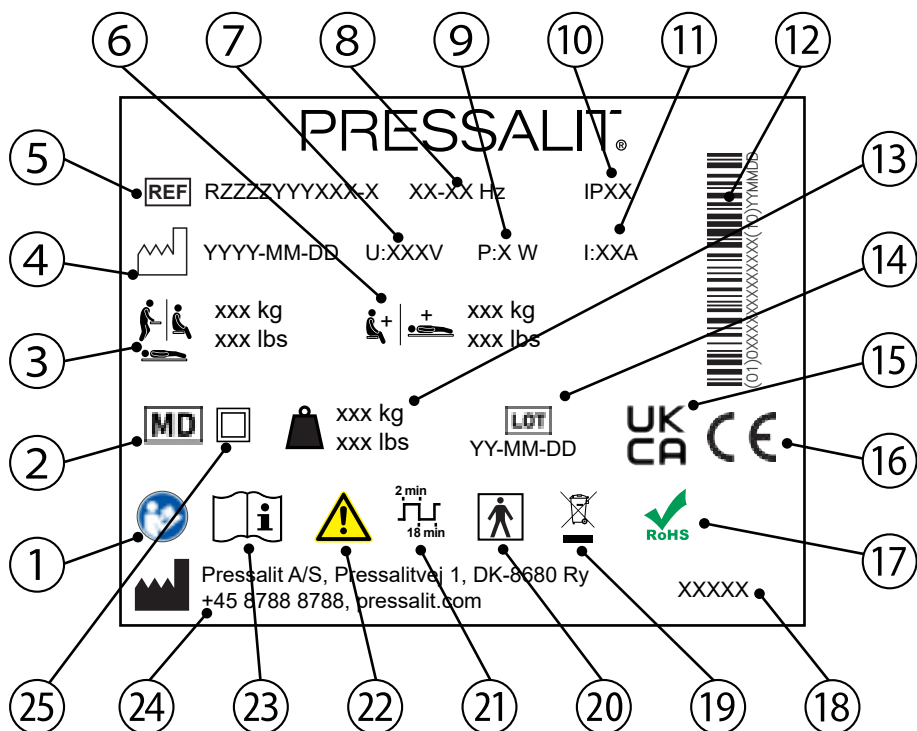
| Émission de radiofréquences conduites | |
|---|---|
|  | Le produit ne doit pas introduire trop de bruit dans le réseau, car cela pourrait entraîner des perturbations concernant d'autres produits. |
| Norme de test | Groupe et classe de test d'émission |
| EN 55011 | Classe B, groupe 1 |

| Émission de radiofréquences par rayonnement | |
|---|---|
|  | Le produit ne doit pas émettre de signaux de radiofréquences dans la pièce. Cela pourrait entraîner une perturbation des autres produits. |
| Norme de test | Groupe et classe de test d'émission |
| EN 55011 | Classe B, groupe 1 |

| Émissions de courant harmonique | |
|---|---|
|  | Le réseau ne doit pas pouvoir s'alimenter à partir du réseau de manière accidentelle. |
| Norme de test | Groupe et classe de test d'émission |
| CEI 61000-3-2 | Classe A |

| Variations et fluctuations de tension et pulsations | |
|---|---|
|  | Le produit ne doit pas affecter d'autres produits lorsqu'il est raccordé au réseau. Il peut s'agir par exemple d'éclairage pouvant vaciller et gêner les personnes présentes dans la pièce. |
| Norme de test | Groupe et classe de test d'émission |
| EN 61000-3-3 | Testé conformément à la norme. |

Étiquette du produit



① Consulter le manuel d'utilisation

② Dispositif médical

③ Poids maximal de l'utilisateur

④ Date de fabrication

⑤ Numéro d'article

⑥ Charge maximale

⑦ Tension de secteur

⑧ Fréquence

⑨ Consommation électrique maximum

⑩ Classe IP

⑪ Courant électrique

⑫ Code-barres GS1-128

⑬ Poids du produit

⑭ Code du lot

⑮ Conformité R.-U. évaluée

Ces produits portent la marque CE conformément aux exigences pertinentes de :

- Règlement (UE) 2017/745 (du 5 avril 2017) relatif aux dispositifs médicaux.

⑯

- La directive 2006/42/CE du Conseil (du 17 mai 2006) sur les machines.

- La directive 2011/65/UE du Conseil (du 8 juin 2011) dite RoHS.

Une déclaration de conformité est disponible sur pressalit.com

⑰ Ce produit ne contient aucune des substances dangereuses mentionnées dans la Directive RoHS 2011/65/CE du Conseil.

⑱ Nom de produit (le cas échéant)

⑲ Ne pas le mettre au rebut sous forme de déchets municipaux non triés. Le produit doit être collecté séparément des autres déchets et renvoyé au service de recyclage désigné.

⑳ Pièce appliquée de type BF. Pièce du produit qui, dans des conditions normales d'utilisation, est obligatoirement en contact avec le patient pour remplir sa fonction. Le produit est conforme aux exigences de protection contre les chocs électriques de la norme CEI 60601-1.

㉑ Cycle de service

㉒ Consulter le manuel pour les mises en garde importantes telles que les avertissements et les précautions

㉓ Consulter le manuel d'utilisation

㉔ Nom et adresse du fabricant

㉕ Appareil électrique à double isolation

Données techniques

| | |
|-----------|--|
| Matériaux | Acier inoxydable laqué à la poudre Matières synthétiques : PVC (toile) Polystyrène (couvercle) |
| Classe IP | Le produit présente un indice de protection IPX6. Le produit ne doit pas être immergé dans l'eau, mais est conçu pour résister à de puissants jets d'eau (buse de 12,5 mm) provenant de toute direction. |

Mise au rebut et recyclage

L'unité contient des matériaux réutilisables. Il n'y a aucun risque connu associé à la mise au rebut du produit. Tous les composants peuvent être mis au rebut après avoir été nettoyés et désinfectés.

Lors de la mise au rebut du produit, nous recommandons de le démonter et de le décomposer en différents groupes de déchets en vue de leur recyclage ou incinération.

Le tableau suivant fournit des informations sur le recyclage et la manipulation du produit.

| Composants recyclables | Matériau |
|-------------------------------|--|
| Acier | L'acier peut être recyclé en étant refondu et inclus en tant que matériau secondaire dans la production d'acier nouveau. |
| Matières synthétiques | Utilisez les systèmes locaux de tri et de recyclage des matières synthétiques. Alternativement, l'incinération des matières synthétiques présente l'avantage de générer de l'énergie qui peut être utilisée, par exemple, pour la production combinée de chaleur et d'électricité. |
| Composants électroniques | Les composants électroniques doivent être collectés séparément des autres déchets et renvoyés au service de recyclage désigné. |

Inhoud

| | |
|---|-----|
| Montage-instructies | 92 |
| Visuele handleiding | 92 |
| Symbolen die in deze handleiding gebruikt | 93 |
| Algemene veiligheid | 94 |
| Beoogd gebruik | 95 |
| Profiel van beoogde bediener | 95 |
| Profiel van beoogde gebruiker | 95 |
| Gebruiksomgeving | 95 |
| Contra-indicaties voor gebruik | 95 |
| Biocompatibiliteit | 95 |
| Gebruiksaanwijzing | 96 |
| Veiligheidsstrip | 97 |
| Hoogteafstelling | 98 |
| Mesh/doekhoes | 99 |
| De hoes om het frame ritsen | 100 |
| Reinigen | 101 |
| Desinfecteren | 101 |
| Onderhoud | 102 |
| Onderhoudsinspectie | 102 |
| Probleemoplossing | 104 |
| Elektromagnetische compatibiliteit | 105 |
| Elektromagnetische immuniteit | 106 |
| Elektromagnetische emissie | 109 |
| Productlabel | 110 |
| Technische gegevens | 112 |
| Afvoer en recycling | 112 |

ni

Montage-instructies



Er worden montage-instructies met dit product meegeleverd.
U kunt deze ook via pressalit.com downloaden.

Visuele handleiding



Er wordt een visuele handleiding met het product meegeleverd.
U kunt deze ook via pressalit.com downloaden.

Symbolen die in deze handleiding gebruikt

De volgende symbolen worden gebruikt in deze handleiding en de bijbehorende documentatie die met het product is meegeleverd.



WAARSCHUWING geeft een mogelijk gevaarlijke situatie aan die, indien niet vermeden, kan leiden tot overlijden of ernstig letsel.












LET OP geeft een mogelijk gevaarlijke situatie aan die, indien niet vermeden, kan leiden tot licht of matig letsel. 'Let op' kan ook worden gebruikt om de gebruiker te waarschuwen voor onveilige praktijken.



BELANGRIJK geeft belangrijke informatie aan over het hanteren en gebruiken van het product.



OPMERKING wordt gebruikt om praktijken aan te duiden die geen betrekking hebben op de persoonlijke veiligheid.

| | | | |
|---|---|---|---|
|  |  |  |  |
| Waarschuwing voor handletsel | Waarschuwing voor hoofdletsel | Waarschuwing voor elektriciteit/voltage | Laat de patiënt nooit zonder toezicht achter |
|  |  |  | |
| Reserveonderdelen | Voedingspecificaties | Artikelnummer/-uitvoeringen | |
|  |  | | |
| Gewicht van product | Max. gewicht gebruiker | | |

Algemene veiligheid



WAARSCHUWING

- Lees de handleiding vóór gebruik volledig door en zorg dat u deze begrijpt. Houd de handleiding in de buurt van de eenheid.
- Houd u aan deze handleiding om ongelukken met ernstig persoonlijk letsel te voorkomen.
- Gebruik of hanteer dit product nooit op een andere manier dan in deze handleiding staat beschreven, omdat dit uw veiligheid in gevaar kan brengen en schade aan het product kan veroorzaken.
- Zorg ervoor dat iedereen die het product en de bijbehorende systemen gaat plaatsen of gebruiken, is voorzien van de benodigde informatie en toegang heeft tot deze handleiding.



LET OP

- Volg deze instructies op om te voorkomen dat het product wordt beschadigd of vernietigd.
- Voer geen reparaties, (de)montagewerkzaamheden, uitbreidingen, afstellingen of aanpassingen uit met betrekking tot dit product. Deze werkzaamheden mogen uitsluitend worden uitgevoerd door Pressalit of door personen die door Pressalit zijn gemachtigd.
- Kinderen mogen nooit zonder toezicht dit product bedienen. Dit product is geen speelgoed.
- Gebruik dit product nooit als het defect of beschadigd is. Gebruik het product niet voordat het is gerepareerd.

OPMERKING

- De informatie in deze handleiding is gebaseerd op een juiste passing van het product conform onze montage-instructies.
- Pressalit is niet aansprakelijk wanneer het product wordt gebruikt op een manier die afwijkt van de in de gids beschreven manier.
- We behouden ons het recht voor deze handleiding aan te passen zonder voorafgaande kennisgeving.

Beoogd gebruik

Dit product is bedoeld voor het wassen van een persoon die niet zelf kan staan of zitten. De persoon ligt horizontaal op de douchetafel.

Profiel van beoogde bediener

Het product dient te worden bediend door een persoon die is opgeleid in de gezondheidszorg en het wassen van een persoon voor wie zij zorg dragen.

Profiel van beoogde gebruiker

Het product kan door iedereen - volwassenen, kinderen, jongeren, ouderen - met een **maximaal lichaamsgewicht van 200 kg** worden gebruikt.

Gebruiksomgeving

Voor gebruik binnenshuis in een natte omgeving, zoals een badkamer of wasruimte. Het product is bedoeld om bij kamertemperatuur te worden gebruikt, in woningen, verpleeghuizen en ziekenhuizen onder normale bedrijfsomstandigheden.

Contra-indicaties voor gebruik

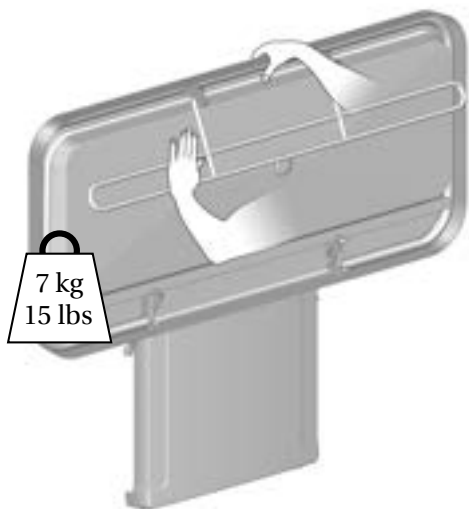
Het gebruik van het apparaat wordt afgeraden voor patiënten met een infuus- of insulinepomp, met ontstekingsziekten van de huid of met koorts.

Patiënten met hartinsufficiëntie, hart- en vaatziekten, hersenletsel, open wonden, voedingsinfusen of drains (bijv. katheter, drainageslang) mogen pas na overleg met de behandelend arts het apparaat gebruiken.

Biocompatibiliteit

De materialen die tijdens het beoogde gebruik in contact komen met de huid van de gebruiker, zijn beoordeeld op hun gehalte aan schadelijke stoffen volgens de procedures in BS EN ISO 10993-1:2020 Biologische evaluatie van medische hulpmiddelen - Deel 1 en worden daarom als geschikt gezien voor dit doel.

Gebruiksaanwijzingen



Ondersteun de douchetafel met uw hand of lichaam wanneer u de tafel neerklaapt om het risico op schade te voorkomen.

De ingebouwde gascilinders zorgen ervoor dat de douchetafel na gebruik eenvoudig tegen de muur kan worden opgeklapt.



Voorkom letsel aan uw handen wanneer u zich in de buurt bevindt van sluitende mechanische onderdelen.

! LET OP

Wees altijd voorzichtig wanneer u iemand op de douchetafel legt en van de douchetafel afhaalt.

! LET OP

Het oppervlak van het product kan heet en/of koud worden als het wordt blootgesteld aan externe warmte- of koudebronnen als zonlicht of vorst.

OPMERKING

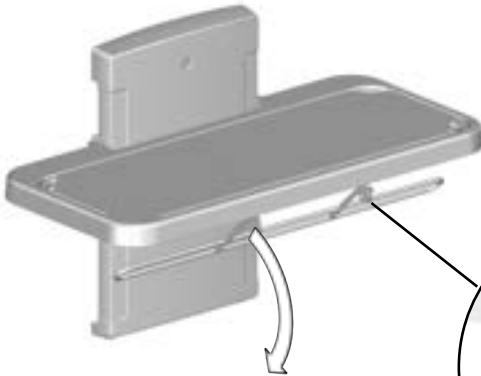
Ieder serieus incident dat heeft plaats gevonden in relatie tot het product dient te worden gemeld aan de fabrikant en de gezondheidskundige autoriteiten.

Veiligheidsstrip



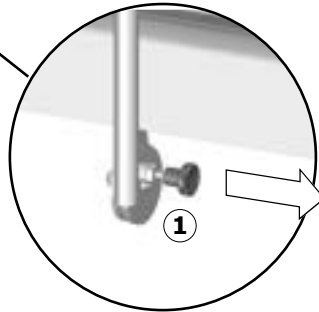
Veiligheidshek omhoog

trekken: Klap het veiligheidshek van onder de douchetafel vandaan omhoog. Het veiligheidshek wordt automatisch op zijn plaats vergrendeld.



Het veiligheidshek

wegklappen: Ontgrendel het slot ① en klap het veiligheidshek omlaag onder de douchetafel.



LET OP

Laat **nooit** iemand op de douchetafel liggen zonder dat de hoes is aangebracht. De bak onder de platen is uitsluitend bedoeld voor wateropvang. Mag niet als badkuip worden gebruikt. Gevaar van lichamelijke letsel voor de patiënt en beschadiging van het product.

Hoogteafstelling



Wanneer de douchetafel op de aanbevolen hoogte is geplaatst, kan deze tussen 480 en 880 mm (18,9 en 34,6 inch) boven de vloer worden afgesteld.

De hoogteafstelling kan worden geregeld met de bedrade afstandsbedieningseenheid.



Druk op de knop Omhoog en houd deze ingedrukt om de tafel omhoog te brengen. De tafel stopt met bewegen wanneer u de knop loslaat.



Druk op de knop Omlaag en houd deze ingedrukt om de tafel naar beneden te brengen. De tafel stopt met bewegen wanneer u de knop loslaat.



Om het risico op wurging te voorkomen, dient u ervoor te zorgen dat de bedrade afstandsbediening in de houder wordt geplaatst wanneer deze niet wordt gebruikt.



Wees voorzichtig om letsel aan uw handen en hoofd te voorkomen wanneer u zich in de buurt bevindt van bewegende mechanische onderdelen.



LET OP

Plaats nooit voorwerpen onder de douchetafel.



Laat de patiënt nooit zonder toezicht achter.

Mesh/doekhoes



Het frame met de hoes kan voor reiniging worden verwijderd.
De hoes kan worden losgeritst en in een normale wasmachine op maximaal 70 °C worden gewassen.

Droog de wateropvangbak.

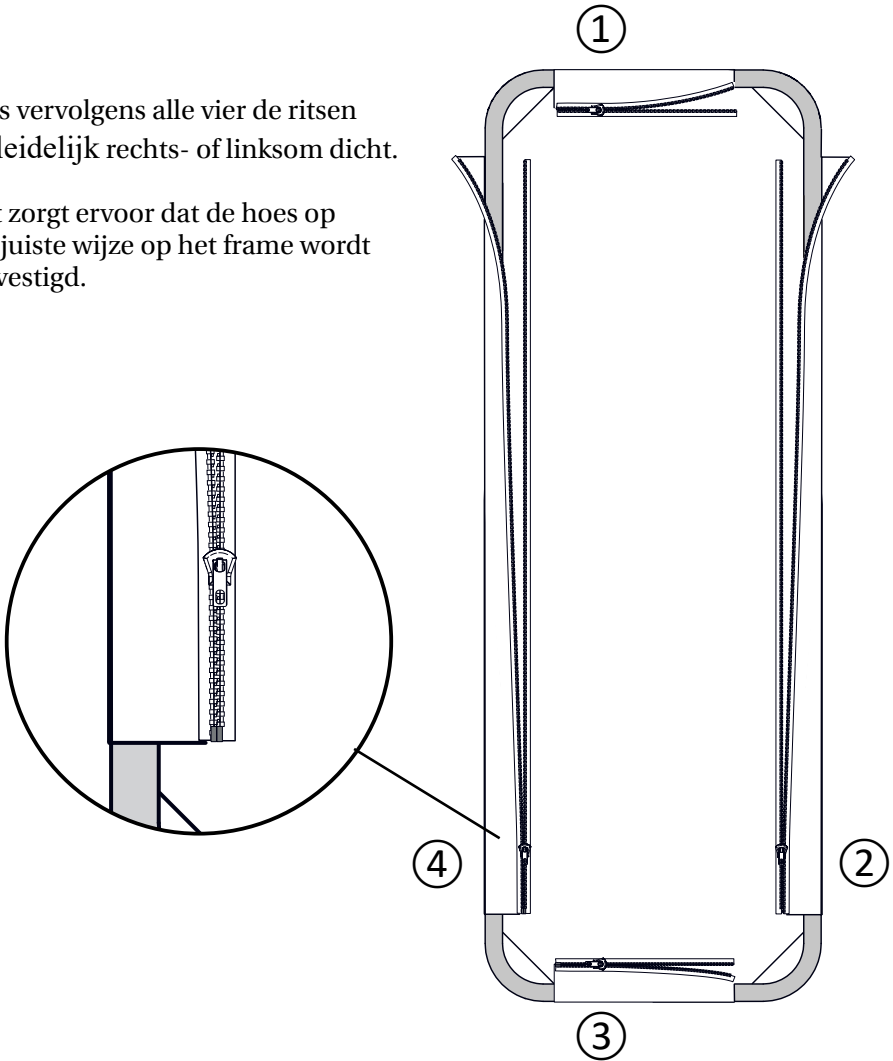
De hoes om het frame ritsen

Als de hoes voor reiniging is verwijderd, moet deze opnieuw om het frame worden geritst.

Rits alle ritsen ongeveer 5 cm (2 inch) dicht.

Rits vervolgens alle vier de ritsen geleidelijk rechts- of linksom dicht.

Dit zorgt ervoor dat de hoes op de juiste wijze op het frame wordt bevestigd.



Reinigen

Het product dient met warm water of een mild reinigingsmiddel te worden gereinigd. Een lijst met geschikte reinigingsmiddelen die zijn getest door Pressalit vindt u op pressalit.com.

LET OP

Lees altijd het veiligheidsinformatieblad (MSDS) en de geleverde instructies voor het reinigings-, desinfectie- of ontkalkingsmiddel en volg alle instructies voor veilig gebruik, verdunnen, spoelen, drogen, hanteren en opslag van het middel op.

BELANGRIJK

- Gebruik geen autoclaaf of een andere stoomreiniger.
- Vermijd het gebruik van agressieve reinigingsmiddelen die zuur bevatten.
- Spuit nooit rechtstreeks met een hogedrukspuit op het product.
- Vermijd het gebruik van schurende of bijtende reinigings- of desinfectieproducten of reinigings- of desinfectieproducten op basis van chloor.

Desinfecteren

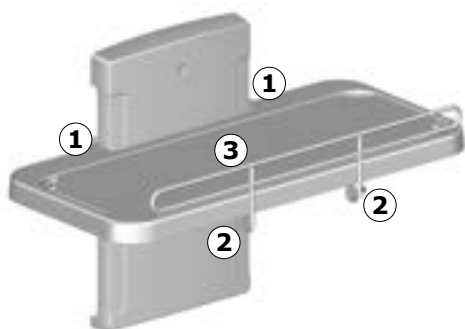
Wanneer de douchetafel voor meerdere patiënten wordt gebruikt, is het noodzakelijk dat de douchetafel na elke patiënt zowel wordt gereinigd als gedesinfecteerd om het risico op kruisbesmetting te voorkomen. Een lijst van geschikte ontsmettingsmiddelen is te vinden op pressalit.com.

Onderhoud

De verwachte levensduur van de douchetafel is 10 jaar, op voorwaarde dat onderhoud wordt uitgevoerd zoals hieronder beschreven:

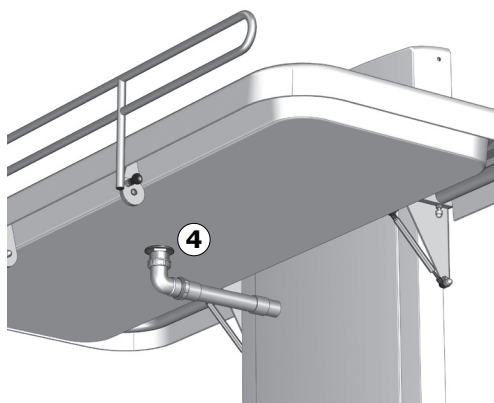
Het wordt aanbevolen wekelijks de motoren van het product te laten lopen tot de maximale standen door de douchetafel tot de volledige hoogte te heffen en vervolgens tot de laagste stand neer te laten, zodat de interne onderdelen worden gesmeerd.

Het wordt aanbevolen eenmaal per jaar een onderhoudsinspectie uit te voeren.



Onderhoudsinspectie

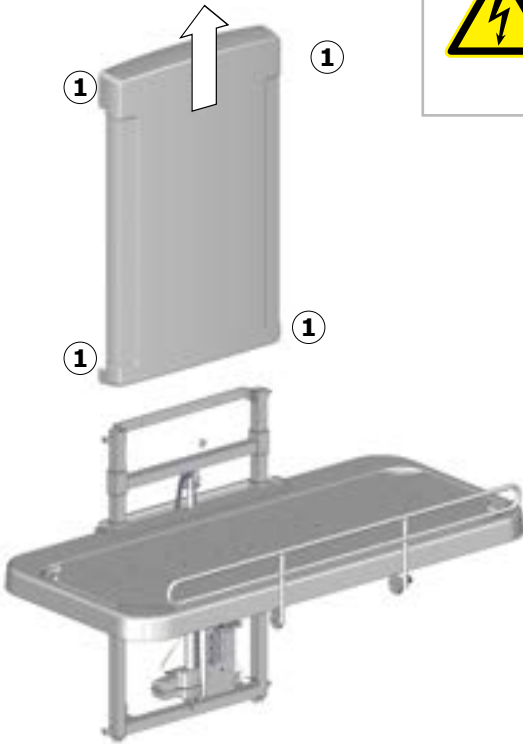
- Controleer de scharnieren ① van de douchetafel en het veiligheidshek ②. Draai de scharnieren zo nodig aan.
- Controleer de hoes ③ op beschadigingen en vervang hem indien nodig.



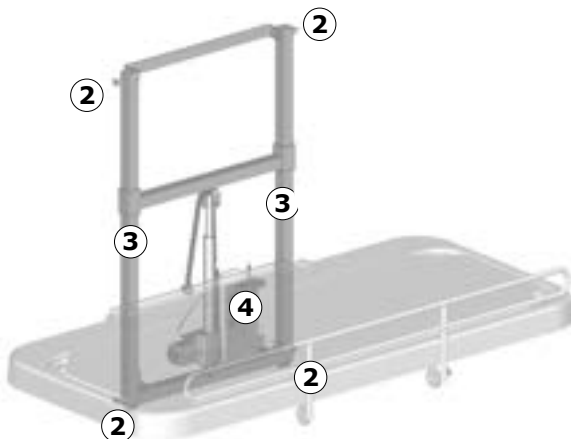
- Controleer de verbindingen van de afvoerpijp ④ en controleer en reinig het waterslot (indien aanwezig).



Koppel de netvoeding van het product los voordat u de afdekkingen gaat verwijderen.



- Verwijder de bovenste en onderste borgschroeven ① op de afdekking van de hefeenheid en verwijder de afdekking voorzichtig.

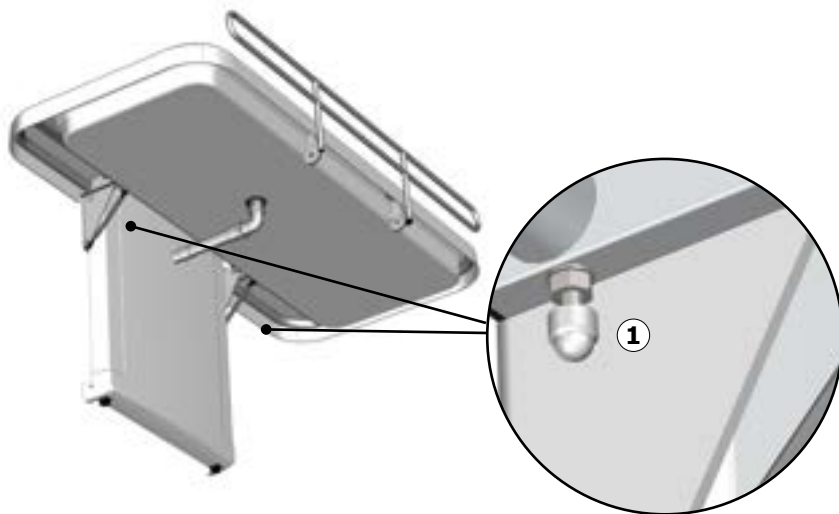


- Controleer de wandbeugels ② en draai deze zo nodig aan.
- Smeer bewegende onderdelen, met name de schuivende beugels ③.
- Controleer alle elektrische verbindingen naar de bedieningseenheid ④.
- Plaats de afdekking van de eenheid terug en draai de borgschroeven aan.
- Sluit de netvoeding opnieuw aan.

nl

Probleemoplossing

| Symptoom | Oorzaak | Actie |
|---|--|---|
| De douchetafel blijft niet in rechtopstaande positie staan. | De gascilinders zijn defect. | Neem contact op met Pressalit of uw plaatselijke dealer. |
| Het product werkt niet, hoewel de afstandsbediening juist wordt gebruikt. | Storing in voedingseenheid. | Controleer of alle snoeren en stekkers intact zijn en goed zijn aangesloten. Neem contact op met Pressalit of uw plaatselijke dealer. |
| Het water loopt niet uit de wateropvangbak. | Afstelschroeven te hoog of te laag. | Pas de afstelschroeven ① aan. |
| De douchetafel beweegt ongelijkmatig omhoog en omlaag. | De schuivende beugels zijn niet goed gesmeerd. | Smeer de schuivende beugels zoals beschreven in "Onderhoud". |



Neem contact op met Pressalit of uw dealer als het probleem niet kan worden verholpen. Probeer niet zelf het product te repareren, omdat de garantie hierdoor komt te vervallen.

Elektromagnetische compatibiliteit

Het apparaat is geschikt voor gebruik thuis, in kinderdagverblijven, in dagcentra voor personen met een lichamelijke of geestelijke handicap of in ziekenhuizen, behalve in de nabijheid van actieve HF-chirurgische apparatuur en RF-afgeschermde ruimten met medische systemen voor MRI met een hoge intensiteit van elektromagnetische storingen.

Het apparaat heeft geen functie die verband houdt met basisveiligheid of essentiële prestaties. Bij prestatieverlies of -vermindering ten gevolge van elektromagnetische storingen, kan de gebruiker nog steeds op en van het product klimmen.


| Kabel | Lengte |
|----------------------------|--------------------------|
| Stroomkabel | 3,2 m (126") |
| Handbediening spiraalkabel | Ca. 5 m (197") uitgerekt |




WAARSCHUWING


- Het gebruik van andere accessoires, omzeters en kabels dan die welke door de fabrikant zijn gespecificeerd of geleverd, kan resulteren in verhoogde elektromagnetische emissies of verminderde elektromagnetische immuniteit van deze apparatuur en een onjuiste werking tot gevolg hebben.
- Draagbare RF-communicatieapparatuur (met inbegrip van randapparatuur zoals antennekabels en externe antennes) mag niet dichterbij dan 30 cm (12 inch) bij enig deel van het apparaat met inbegrip van de kabels, worden gebruikt om verslechtering van de prestaties van dit apparaat te voorkomen.
- Het gebruik van deze apparatuur naast of gestapeld op andere apparatuur dient te worden vermeden omdat dit kan leiden tot een onjuiste werking. Indien gebruik op deze wijze noodzakelijk is, moeten deze apparatuur en de andere apparatuur worden gecontroleerd om na te gaan of deze normaal functioneren.

Elektromagnetische immuniteit

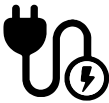
| Elektrostatische ontlading | |
|---|--|
|  | De elektrische ontlading tussen de persoon en het product mag geen zodanige gevolgen hebben dat daardoor acties in gang worden gezet of dat onderdelen defect raken. |
| Testnorm | Testniveau immuniteit |
| EN 61000-4-2 | +/- 8 kV contact +/- 2, 4, 8, 15 kV lucht |

| Uitgestraald radio-elektromagnetisch veld | |
|---|--|
|  | Het product mag niet worden beïnvloed door RF-signalen. Dit zijn bijvoorbeeld signalen van een mobiele telefoon of radio. Dit kan ervoor zorgen dat het product wordt ingeschakeld of dat onderdelen defect raken. |
| Testnorm | Testniveau immuniteit |
| EN 61000-4-3 | 15 V/m 80 MHz tot 1000 MHz (alleen aan de voorkant) 15 V/m 1,01 GHz tot 3 GHz 80 % AM 1 kHz |


Immunititeit voor nabijheidsvelden van draadloze RF-communicatieapparatuur

| | |
|---|---|
|  | <p>Het product mag niet worden beïnvloed door RF-signalen, bijvoorbeeld van een mobiele telefoon of radio, die ervoor zorgen dat het product wordt ingeschakeld of dat onderdelen defect raken.</p> |
| Testnorm | Testniveau immunititeit |
| EN 61000-4-3* | 385 MHz, 27 V/m, 18 Hz PM (50 % levenscyclus blokgolf) 450 MHz, 28 V/m, FM +/- 5 kHz deviatie, 1 kHz sine 710 MHz, 9 V/m, 217 Hz PM (50 % levenscyclus blokgolf) 745 MHz, 9 V/m, 217 Hz PM (50 % levenscyclus blokgolf) 780 MHz, 9 V/m, 217 Hz PM (50 % levenscyclus blokgolf) 810 MHz, 28 V/m, 18 Hz PM (50 % levenscyclus blokgolf) 870 MHz, 28 V/m, 18 Hz PM (50 % levenscyclus blokgolf) 930 MHz, 28 V/m, 18 Hz PM (50 % levenscyclus blokgolf) 1720 MHz, 28 V/m, 217 Hz PM (50 % levenscyclus blokgolf) 1845 MHz, 28 V/m, 217 Hz PM (50 % levenscyclus blokgolf) 1970 MHz, 28 V/m, 217 Hz PM (50 % levenscyclus blokgolf) 2450 MHz, 28 V/m, 217 Hz PM (50 % levenscyclus blokgolf) 5240 MHz, 9 V/m, 217 Hz PM (50 % levenscyclus blokgolf) 5500 MHz, 9 V/m, 217 Hz PM (50 % levenscyclus blokgolf) 5785 MHz, 9 V/m, 217 Hz PM (50 % levenscyclus blokgolf) |

Snelle elektrische transiënten/lawine

| | |
|--|---|
|  | <p>Het product mag niet worden beïnvloed door snelle pulssignalen die via de kabel binnenkomen. Hierdoor kunnen de onderdelen defect raken, of kan het product worden ingeschakeld.</p> |
| Testnorm | Testniveau immunititeit |
| EN 61000-4-4 | +/- 1 kV, +/- 2 kV 100 kHz herhalingsfrequentie |

Overspanningsimmunititeit

| | |
|---|--|
|  | <p>Het product mag niet worden aangetast om acties in gang te zetten of om onderdelen te beschadigen als gevolg van blikseminslag.</p> |
| Testnorm | Testniveau immunititeit |
| EN 61000-4-5 | Kabel-naar-kabel: +/- 0,5 kV, +/-1 kV Kabel-naar-grond: +/- 0,5 kV, +/-1 kV, +/- 2 kV |

Immunitieit voor geleide storingen veroorzaakt door RF-velden



De draden mogen niet worden beïnvloed door andere RF-velden waardoor acties in gang worden gezet of onderdelen defect raken.

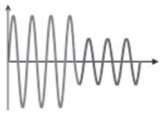
Testnorm

EN 61000-4-6

Testniveau immunitieit

3 V (6 V in ISM-banden en amateurradiobanden)
0,15 tot 80 MHz, 80 % AM op 1 kHz

Spanningsdalingen



Het product mag geen acties in gang zetten of beperken als gevolg van een daling in de stroomvoorziening.

Testnorm

EN 61000-4-11

Testniveau immunitieit

0 % U_T ; 0,5 cyclus op 0°, 45°, 90°, 135°, 180°, 225°, 270° en 315°, 0 % U_T ; 1 cyclus op 0°, 70 % U_T ; 25 cycli op 0°
Enkelfasig op 0°

Spanningsonderbrekingen



Het product mag geen acties in gang zetten of beperken als gevolg van een kortstondige stroomvoorzieningsstop.


Testnorm


EN 61000-4-11


Testniveau immunitieit

0 % U_T ; 300 cyclus

Elektromagnetische emissie

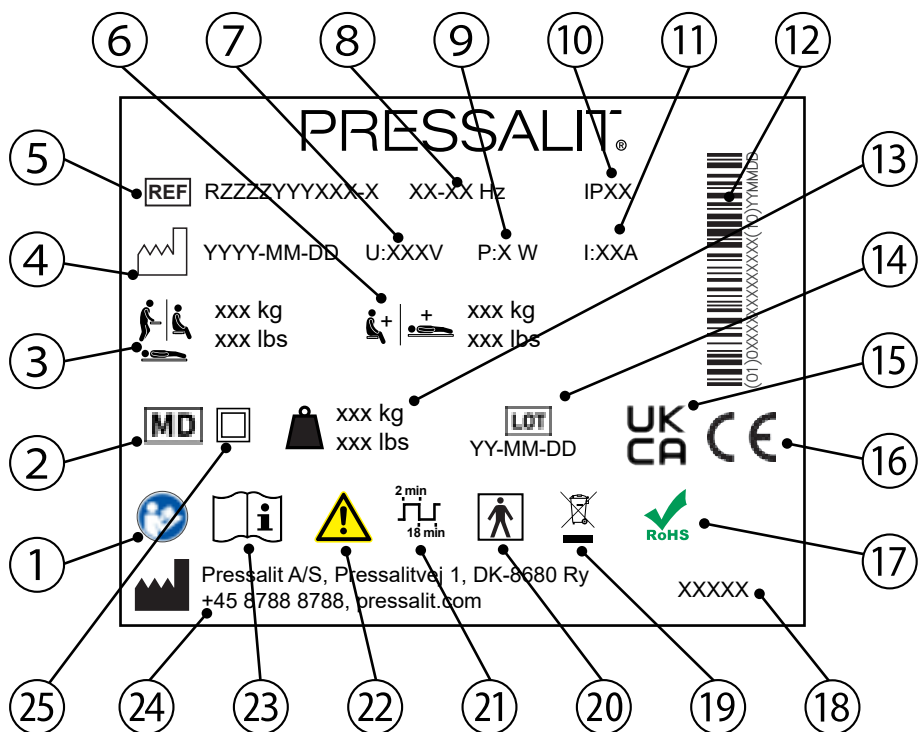
| Geleide RF-emissie | |
|---|--|
|  | Het product mag niet te veel ruis het stroomnet in sturen. Dit kan leiden tot verstoringen van andere producten. |
| Testnorm | Emissietestklasse en -groep |
| EN 55011 | Klasse B, groep 1 |

| Uitgestraalde RF-emissie | |
|---|--|
|  | Het product mag geen RF-signalen uitzenden in de ruimte. Dit kan leiden tot verstoringen van andere producten. |
| Testnorm | Emissietestklasse en -groep |
| EN 55011 | Klasse B, groep 1 |

| Geharmoniseerde stroom-missies | |
|---|---|
|  | Het product mag niet onbedoeld stroom aan het net onttrekken. |
| Testnorm | Emissietestklasse en -groep |
| IEC 61000-3-2 | Klasse A |

| Spanningswisselingen, spanningsschommelingen en flikkering | |
|---|---|
|  | Het product mag geen invloed hebben op andere producten wanneer deze op het net is aangesloten. Dit kunnen bijvoorbeeld lampjes zijn die gaan knipperen en zo mensen in de ruimte storen. |
| Testnorm | Emissietestklasse en -groep |
| EN 61000-3-3 | Getest volgens de norm. |

Productlabel



1 Raadpleeg de gebruikshandleiding

2 Medisch hulpmiddel

3 Maximaal gewicht van gebruiker

4 Fabricagedatum

5 Artikelnummer

6 Max. belastbaarheid

7 Netspanning

8 Frequentie

9 Maximaal stroomverbruik

⑩ IP-klasse

⑪ Elektrische stroom

⑫ GS1-128-barcode

⑬ Gewicht van product

⑭ Batchcode

⑮ VK Conformiteitsbeoordeling

Deze producten dragen de CE-markering in overeenstemming met de relevante vereisten in:

- Verordening (EU) 2017/745 (van 5 april 2017) betreffende medische hulpmiddelen.
- ⑯ Richtlijn 2006/42/EG van de Raad (van 17 mei 2006) betreffende machines.
- Richtlijn 2011/65/EG van de Raad (van 8 juni 2011) betreffende RoHS.

De conformiteitsverklaring kan worden gevonden op pressalit.com

⑰ Dit product bevat geen van de gevaarlijke stoffen die worden vermeld in Europese richtlijn 2011/65/EG betreffende RoHS.

⑱ Productnaam (indien aanwezig)

⑲ Niet afvoeren met het ongesorteerd huishoudelijk afval. Het product moet afzonderlijk worden ingezameld en worden geretourneerd aan een speciale recyclingdienst.

⑳ Toegepast onderdeel van het product type BF bij normaal gebruik noodzakelijkerwijs in contact met het lichaam van de patiënt. Het product voldoet aan de vereisten van IEC 60601-1 betreffende het bieden van bescherming tegen elektrische schokken.

㉑ Levenscyclus

㉒ Raadpleeg de handleiding voor belangrijke waarschuwingeninformatie, zoals waarschuwingen en voorzorgsmaatregelen.

㉓ Raadpleeg de gebruikshandleiding

㉔ Naam en adres van fabrikant

㉕ Dubbel geïsoleerd elektrisch apparaat

Technische gegevens

| | |
|------------|--|
| Materialen | Roestvrij staal met poedercoating Kunststof: PVC (doek) Polystyreen (afdekking) |
| IP-klasse | Het product heeft beschermingsgraad IPX6 tegen binnendringing. Het product mag niet in water worden ondergedompeld, maar is ontworpen om krachtige stralen water (spuitmond van 12,5 mm) uit elke richting te weerstaan. |

Afvoer en recycling

De eenheid bevat herbruikbare materialen. Er zijn geen bekende gevaren of risico's gekoppeld aan het afvoeren van het product. Alle onderdelen kunnen na reiniging en desinfectie worden afgevoerd.

We raden u aan het product bij afvoer te demonteren en onder te verdelen in afvalgroepen voor recycling of verbranding.

De volgende tabel biedt informatie over het recyclen en hanteren van het product.

| Recyclebare onderdelen | Materiaal |
|-------------------------------|---|
| Staal | Staal kan worden gerecycled door het opnieuw te smelten en te gebruiken als secundair materiaal bij de productie van nieuw staal. |
| Kunststof | Gebruik sorteer- en recyclingsystemen voor kunststof wanneer deze lokaal beschikbaar zijn. Het verbranden van kunststof kan in andere gevallen worden gebruikt voor het opwekken van energie die bijvoorbeeld kan worden gebruikt voor cogeneratie. |
| Elektronica | De elektronische onderdelen moeten afzonderlijk worden ingezameld en worden geretourneerd aan een speciale recyclingdienst. |

Innehåll

| | |
|---|-----|
| Monteringsinstruktion | 113 |
| Visuell snabbguide | 113 |
| Symboler som används i manualen | 114 |
| Allmän säkerhetsinformation | 115 |
| Avsedd användning | 116 |
| Användare | 116 |
| Avsedd för | 116 |
| Användningsmiljö | 116 |
| Kontraindikationer för användning | 116 |
| Biokompatibilitet | 116 |
| Användningsinstruktioner | 117 |
| Säkerhetsgrind | 118 |
| Höjjustering | 119 |
| Nät-/kanvasskydd | 120 |
| Sätta fast skyddet på ramen | 121 |
| Rengöring | 122 |
| Desinficering | 122 |
| Underhåll | 123 |
| Underhållsinspektion | 123 |
| Åtgärda fel | 125 |
| Elektromagnetisk kompatibilitet | 126 |
| Elektromagnetisk immunitet | 127 |
| Elektromagnetisk emission | 130 |
| Produktetikett | 131 |
| Teknisk information | 133 |
| Kassering och återvinning | 133 |

Monteringsinstruktion



En monteringsinstruktion medföljer den här produkten. Den går även att ladda ned på pressalit.com.

sv

Visuell snabbguide



En visuell snabbguide medföljer produkten. Den går även att ladda ned på pressalit.com.

Symboler som används i manualen

Följande symboler används i manualen samt i övrig dokumentation som medföljer produkten.



VARNING indikerar en potentiellt farlig situation som kan orsaka dödsfall eller allvarlig skada om den inte undviks.












VAR FÖRSIKTIG indikerar en potentiellt farlig situation som kan orsaka mindre eller måttlig skada om den inte undviks. Kan också användas för att varna för osäker hantering.



VIKTIGT indikerar viktig information om hantering och användning av produkten.



OBS används för att informera om hantering som inte är relaterad till personlig säkerhet.

| | | | |
|---|--|--|--|
|  Varning för handskada. |  Varning för huvudskada. |  Varning för elektricitet/spänning |  Lämna inte patienten utan tillsyn |
|  Specifikationer för strömförsörjning |  Reservdelar |  Artikelnummer/versioner | |
|  Produktvikt |  Användarens maxvikt | | |

Allmän säkerhetsinformation

VARNING

- Se till att du har läst och förstått manualen fullständigt innan du använder produkten. Förvara manualen nära produkten.
- Följ anvisningarna i manualen för att undvika olyckor som kan orsaka allvarliga personskador.
- Använd aldrig produkten på något annat sätt än vad som beskrivs i den här manualen eftersom du då riskerar att skada både dig själv och produkten.
- Se till att alla personer som ska installera eller använda produkten och de tillhörande systemen har fått den information som behövs samt att de har tillgång till manualen.

VAR FÖRSIKTIG

- Följ anvisningarna för att undvika att produkten skadas eller förstörs.
- Försök inte reparera, demontera, montera eller göra tillägg till produkten eller ändra den på något sätt. Sådana åtgärder får endast utföras av Pressalit eller av personer som fått behörighet av Pressalit.
- Låt aldrig barn använda produkten ensamma. Den är inte avsedd för lek.
- Använd aldrig produkten om den är trasig eller skadad. Vänta med att använda en defekt produkt tills den har reparerats.

OBS

- Informationen i den här manualen är baserad på att produkten är korrekt monterad enligt våra anvisningar.
- Pressalit tar inget ansvar för eventuella fel som uppstår om produkten används på något annat sätt än vad som beskrivs i manualen.
- Vi förbehåller oss rätten att göra ändringar i manualen utan att meddela detta i förväg.

Avsedd användning

Den här produkten är avsedd för tvättning av en person som inte kan stå eller sitta själv. Personen ligger horisontellt på duschbritten.

Användare

Produkten ska användas av personal som är utbildad i hälsovård och/eller att tvätta personer.

Avsedd för

Produkten kan användas av alla – vuxna, barn, gamla och unga med en **maxvikt på 200 kg**.

Användningsmiljö

För användning inomhus i våtrumsmiljö, till exempel ett badrum. Produkten är avsedd för användning i rumstemperatur i privata hem, på vårdhem och sjukhus under normala arbetsförhållanden.

Kontraindikationer för användning

Det är inte rekommenderat att enheten används för patienter med infusions- eller insulinpump, inflammatoriska hudsjukdomar eller patienter med feber.

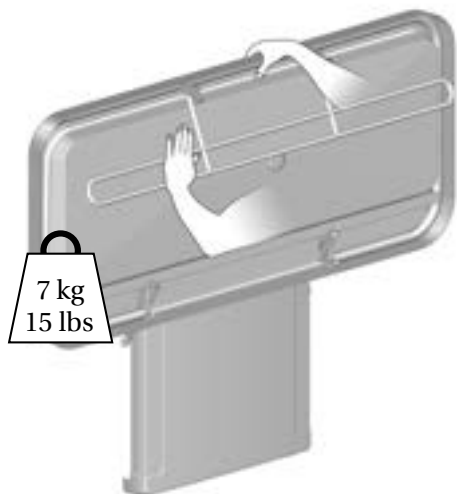
Patienter med hjärtsvikt, hjärt-kärlsjukdomar, kraniocerebralt trauma, öppna sår, närings- eller dräneringssond (t.ex. kateter, dränage) kan använda enheten, men endast i samråd med ansvarig läkare.

Biokompatibilitet

sv

De material som kommer i kontakt med användarens hud under den avsedda användningen har utvärderats för innehåll av skadliga ämnen enligt procedurerna i SS-EN ISO 10993-1:2020 Biologisk värdering av medicintekniska produkter – Del 1 och anses därför lämpliga för detta ändamål.

Användningsinstruktioner



Håll emot duschbritsen med en hand eller med kroppen när du fäller ned den för att undvika skaderisk.

De integrerade gascylindrarna gör det enkelt att fälla upp duschbritsen mot väggen efter användning.



Se till att du inte skadar händerna när du arbetar i närheten av mekaniska delar som stängs.

VAR FÖRSIKTIG

Var alltid försiktig när du flyttar en person till och från duschbritsen.

VAR FÖRSIKTIG

Ytan på den här produkten kan bli mycket varm eller kall om den utsätts för värme eller kyla från externa källor (t.ex. solsken eller frost).

OBS

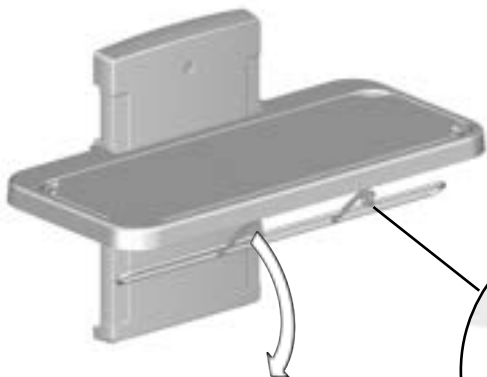
Eventuella allvarliga incidenter som inträffar i samband med produkten ska rapporteras till tillverkaren och till berörda hälsomyndigheter.

SV

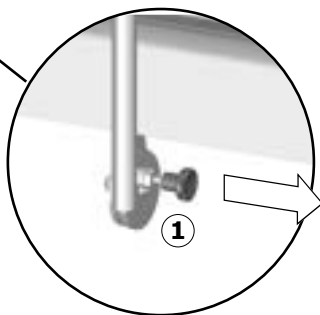
Säkerhetsgrind



Så här fäller du upp säkerhetsgrinden: Ta tag i säkerhetsgrinden på undersidan av duschbriksen och fäll upp den. Säkerhetsgrinden låses fast i rätt position automatiskt.



Så här fäller du undan säkerhetsgrinden: Lossa spärren ① och fäll ned säkerhetsgrinden till duschbriksens undersida.



SV



VAR FÖRSIKTIG



Låt **aldrig** en person ligga på duschbriksen om inte skyddet är på plats. Karet under plattorna är endast avsett för vattenuppsamling. Det får inte användas som badkar. Det finns risk för både personskada och skada på produkten.

Höjdjustering



När duschbritten har installerats på den rekommenderade höjden kan den justeras till en höjd på mellan 480 och 880 mm ovanför golvet.

Höjdjusteringen utförs via en trådbunden manöverdosa.



Tryck på upp-knappen och håll ned den för att höja enheten.
Höjningen/sänkningen stoppas när du släpper knappen.



Tryck på ned-knappen och håll ned den för att sänka enheten.
Höjningen/sänkningen stoppas när du släpper knappen.



För att undvika risk för strypling ska den trådbundna manöverdosan alltid vara placerad i hållaren när den inte används.



Se till att du inte skadar händerna eller huvudet när du är i närheten av rörliga mekaniska delar.



VAR FÖRSIKTIG

Placera aldrig föremål under duschbritten.



Lämna inte patienten utan tillsyn.

SV

Nät-/kanvasskydd



Ramen med skyddet kan tas bort för rengöring.
Skyddet kan tas loss och tvättas på högst 70 °C i en vanlig tvättmaskin.

sv Torka av vattenuppsamlingskaret.

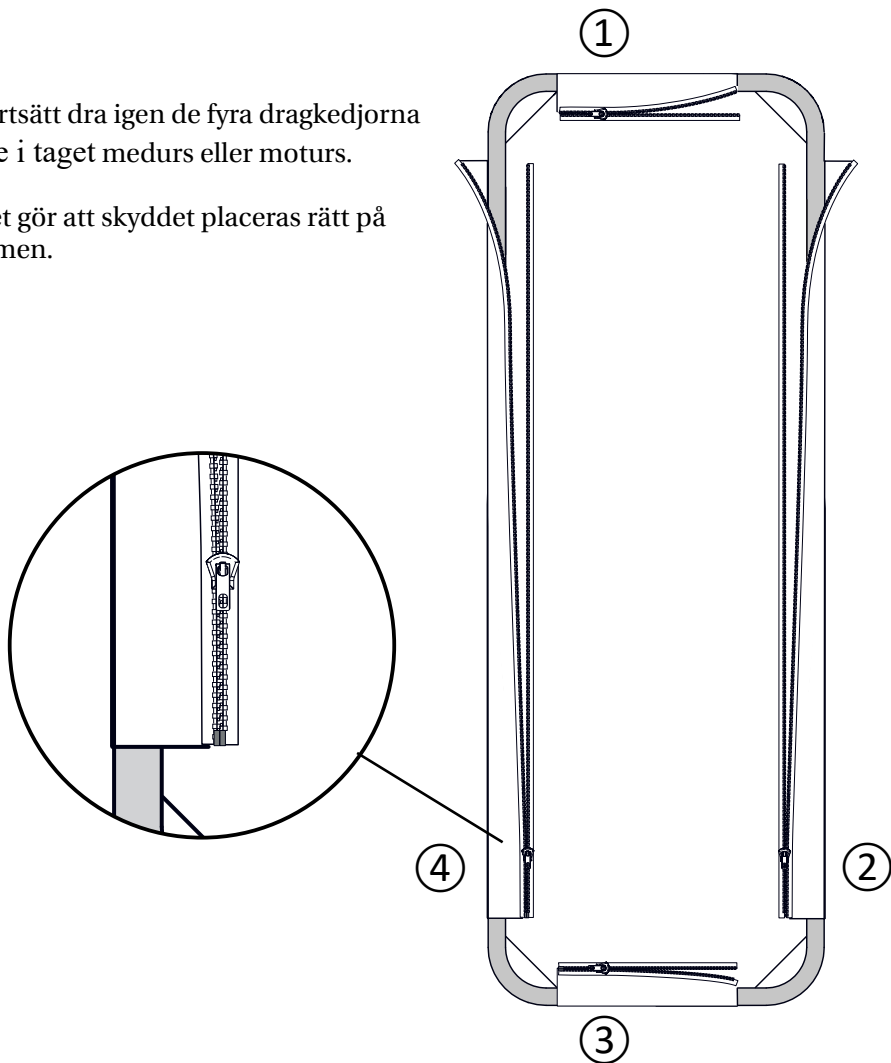
Sätta fast skyddet på ramen

När skyddet har tagits av och tvättats ska det sättas tillbaka på ramen igen med hjälp av dragkedjorna.

Dra igen alla dragkedjor cirka 5 cm.

Fortsätt dra igen de fyra dragkedjorna lite i taget medurs eller moturs.

Det gör att skyddet placeras rätt på ramen.



Rengöring

Produkten ska rengöras med varmt vatten eller ett mild tvålbaserat rengöringsmedel.

På pressalit.com finns en lista över lämpliga rengöringsmedel som har testats av Pressalit.



VAR FÖRSIKTIG

Läs alltid materialsäkerhetsdatabladet (MSDS) och de medföljande anvisningarna till det aktuella rengörings-, desinficerings- eller avkalkningsmedlet avseende säker användning, spädning, sköljning, torkning, hantering och förvaring.

VIKTIGT

- Använd inte en autoklav eller någon annan typ av ångtvätt för rengöring.
- Undvik aggressiva rengöringsmedel som innehåller syror.
- Spruta aldrig med högtryckstvätt direkt på produkten.
- Undvik användning av slipande, korrosiva eller klorbaserade rengörings- eller desinficeringsprodukter.

Desinficering

sv

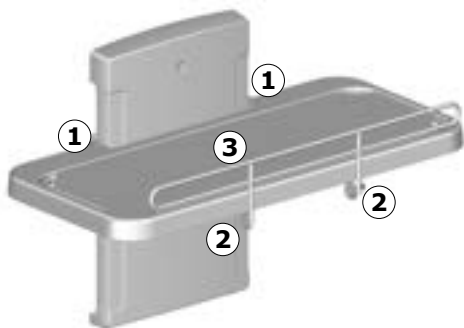
När duschbritsen används för flera patienter är det nödvändigt att både rengöra och desinficera den mellan de olika patienterna för att undvika risk för korsinfektion. På pressalit.com finns en lista över lämpliga desinficeringsmedel.

Underhåll

Den förväntade användningstiden för duschbritten är 10 år, förutsatt att underhåll utförs enligt anvisningarna nedan:

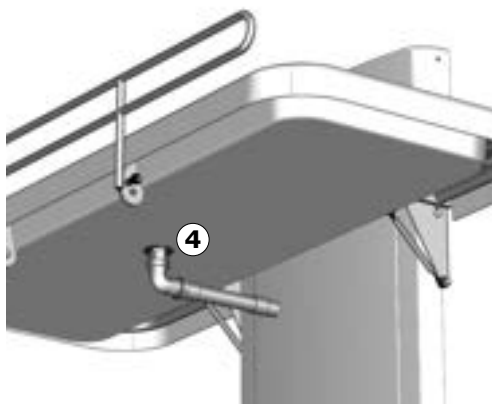
Vi rekommenderar att du varje vecka kör motorerna till maxpositionerna genom att du först lyfter duschbritten till maxhöjd och sedan sänker den till sin lägsta position så att de interna delarna smörjs.

Vi rekommenderar att en underhållsinspektion utförs varje år.



Underhållsinspektion

- Kontrollera gångjärnen ① på duschbritten och på säkerhetsgrinden ②. Dra åt dem om det behövs.
- Kontrollera att skyddet ③ inte är skadat och byt ut det om det behövs.

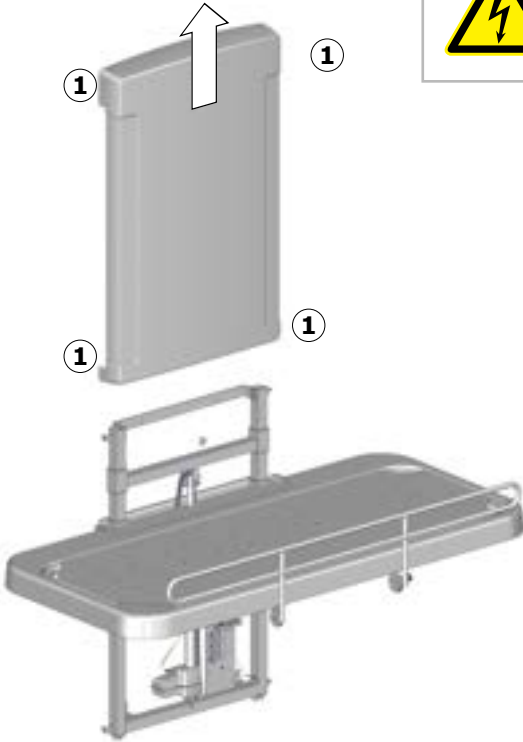


- Kontrollera anslutningarna till avloppsröret ④ och kontrollera och rengör vattenuppsamlaren (om den är monterad).

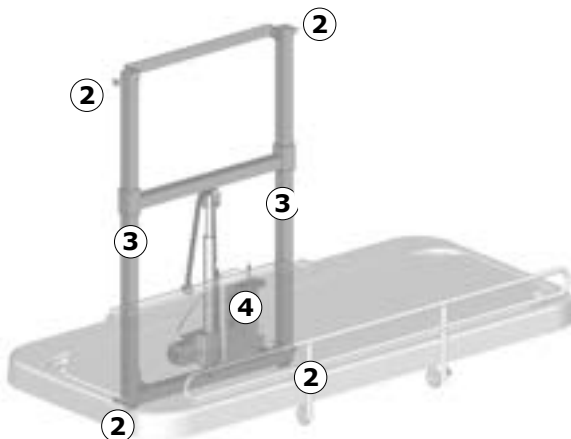
SV



**Koppla från
anslutningen till
elnätet innan du tar
bort höljet.**



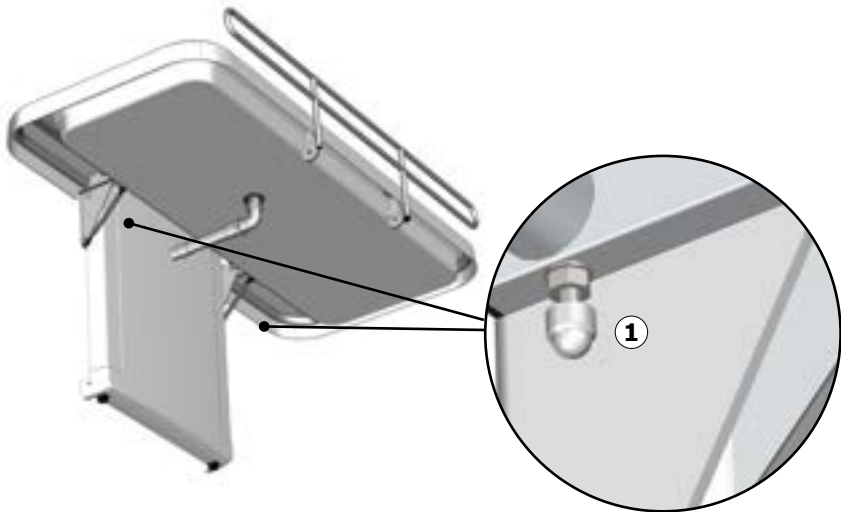
- Ta bort de övre och undre stoppskruvarna ① på höljet och ta bort det försiktigt.



- Kontrollera väggfästena ② och dra åt dem om det behövs.
- Smörj rörliga delar, framför allt glidskenorna ③.
- Kontrollera alla elektriska anslutningar på manöverdosan ④.
- Sätt tillbaka höljet på enheten och dra åt stoppskruvarna.
- Koppla in anslutningen till elnätet igen.

Åtgärda fel

| Symptom | Orsak | Åtgärd |
|---|--|--|
| Duschbriksen stannar inte kvar i upprätt läge. | Gascylindrarna är defekta. | Kontakta Pressalit eller din lokala återförsäljare. |
| Produkten fungerar inte fastän manöverdosan används på rätt sätt. | Fel på strömförsörjningen. | Kontrollera att alla kablar och kontakter är oskadade och anslutna på rätt sätt. Kontakta Pressalit eller din lokala återförsäljare. |
| Vattnet flyter inte ut från vattenuppsamlingskaret. | Justeringskruvarna sitter för högt eller för lågt. | Justera justeringskruvarna ①. |
| Det går hackigt när duschbriksen flyttas uppåt och nedåt. | Glidskenorna behöver smörjas. | Smörj in glidskenorna enligt anvisningarna i "Underhåll". |



SV

Kontakta Pressalit eller din återförsäljare om du inte kan åtgärda problemet. Försök inte reparera produkten själv eftersom det gör att garantin upphör att gälla.

Elektromagnetisk kompatibilitet

Produkten är lämplig för användning i hemmet, på vårdhem, på vårdhem för personer med fysisk eller psykisk funktionsnedsättning eller på sjukhus förutom i närheten av aktiv kirurgisk HF-utrustning och RF-avskärmade rum med medicinska system för magnetisk resonanstomografi med hög intensitet av elektromagnetiska störningar.

Produkten har ingen funktion som är relaterad till grundläggande säkerhet eller prestanda som kan påverka hälsan. Om produkten slutar fungera eller om dess prestanda försämras på grund av elektromagnetiska störningar så kan användaren ändå ta sig upp och ned från produkten.


| Kabel | Längd |
|-------------------------------|----------------------|
| Nätkabel | 3,2 m |
| Spiralkabel till manöverdosan | Ungefär 5 m utdragen |


VARNING

- Användning av andra tillbehör, omvandlare och kablar än de som är specificerade eller som tillhandahålls av tillverkaren kan orsaka ökad elektromagnetisk emission eller försämrade elektromagnetisk immunitet för den här utrustningen vilket kan resultera i felaktig funktion.
- Bärbar utrustning för RF-kommunikation (inklusive tillbehör som antennkablar och externa antenner) ska inte användas närmare än 30 cm från någon del av produkten (inklusive dess kablar) för att undvika att produktens prestanda försämras.
- Använd inte den här produkten bredvid eller ovanpå annan utrustning eftersom det kan resultera i felaktig drift. Om produkten ändå behöver användas på ett sådant sätt ska både den och den andra utrustningen kontrolleras för att verifiera att de fungerar normalt.


sv

Elektromagnetisk immunitet


| Elektrostatisk urladdning | |
|---|--|
|  | Produkten får inte utsättas för elektrostatisk urladdning som kan uppstå vid beröring av produkten. Det kan göra att produkten utför oväntade åtgärder eller att komponenter går sönder. |
| Teststandard | Testnivå för immunitet |
| SS-EN 61000-4-2 | +/- 8 kV kontakt +/- 2, 4, 8, 15 kV luft |

| RF-fält som sänder ut elektromagnetisk strålning | |
|---|--|
|  | Produkten får inte påverkas av utsända RF-signaler från till exempel en mobiltelefon eller en radio. De kan göra att produkten utför oväntade åtgärder eller att komponenter går sönder. |
| Teststandard | Testnivå för immunitet |
| SS-EN 61000-4-3 | 15 V/m 80 MHz till 1000 MHz (endast på framsidan) 15 V/m 1,01 GHz till 3 GHz 80 % AM 1 kHz |


Immunitet mot närliggande RF-fält från utrustning för trådlös kommunikation

| | |
|---|--|
|  | Produkten får inte påverkas av utsända RF-signaler från till exempel en mobiltelefon eller en radio. De kan göra att produkten utför oväntade åtgärder eller att komponenter går sönder. |
| Test-standard | Testnivå för immunitet |
| SS-EN 61000-4-3* | 385 MHz, 27 V/m, 18 Hz PM (50 % driftcykel, fyrkantsvåg) 450 MHz, 28 V/m, FM +/- 5 kHz avvikelse, 1 kHz sinusvåg 710 MHz, 9 V/m, 217 Hz PM (50 % driftcykel, fyrkantsvåg) 745 MHz, 9 V/m, 217 Hz PM (50 % driftcykel, fyrkantsvåg) 780 MHz, 9 V/m, 217 Hz PM (50 % driftcykel, fyrkantsvåg) 810 MHz, 28 V/m, 18 Hz PM (50 % driftcykel, fyrkantsvåg) 870 MHz, 28 V/m, 18 Hz PM (50 % driftcykel, fyrkantsvåg) 930 MHz, 28 V/m, 18 Hz PM (50 % driftcykel, fyrkantsvåg) 1720 MHz, 28 V/m, 217 Hz PM (50 % driftcykel, fyrkantsvåg) 1845 MHz, 28 V/m, 217 Hz PM (50 % driftcykel, fyrkantsvåg) 1970 MHz, 28 V/m, 217 Hz PM (50 % driftcykel, fyrkantsvåg) 2450 MHz, 28 V/m, 217 Hz PM (50 % driftcykel, fyrkantsvåg) 5240 MHz, 9 V/m, 217 Hz PM (50 % driftcykel, fyrkantsvåg) 5500 MHz, 9 V/m, 217 Hz PM (50 % driftcykel, fyrkantsvåg) 5785 MHz, 9 V/m, 217 Hz PM (50 % driftcykel, fyrkantsvåg) |

Snabba elektriska transienter/pulsskuror


| | |
|---|--|
|  | Produkten får inte utsättas för snabba pulssignaler via nätkabeln. De kan göra att komponenter går sönder eller att produkten utför oväntade åtgärder. |
| Test-standard | Testnivå för immunitet |
| SS-EN 61000-4-4 | +/- 1 kV, +/- 2 kV 100 kHz repetitionsfrekvens |

Överspänningsskydd

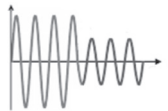
| | |
|---|--|
|  | Produkten får inte utsättas för överspänning vid till exempel ett åsknedslag. Det kan göra att produkten utför oväntade åtgärder eller att komponenter går sönder. |
|---|--|

| Test-standard | Testnivå för immunitet |
|----------------------|---|
| SS-EN 61000-4-5 | Ledning till ledning: +/- 0,5 kV, +/- 1 kV Ledning till jord: +/- 0,5 kV, +/- 1 kV, +/- 2 kV |


Immunitet mot ledningsbundna störningar inducerade av RF-fält

|  | Kablarna får inte påverkas av andra RF-fält. Det kan göra att produkten utför oväntade åtgärder eller att komponenter går sönder. |
|---|---|
| Test-standard | Testnivå för immunitet |
| SS-EN 61000-4-6 | 3 V (6 V i ISM-band och amatörradioband) 0,15 till 80 MHz, 80 % AM vid 1 kHz |


Spänningsfall


|  | Produkten får inte utföra oväntade åtgärder eller begränsa åtgärder på grund av en nedgång i strömförsörjningen. |
|--|--|
| Test-standard | Testnivå för immunitet |
| SS-EN 61000-4-11 | 0 % U_T ; 0,5 cykel vid 0°, 45°, 90°, 135°, 180°, 225°, 270° och 315°, 0 % U_T ; 1 cykel vid 0°, 70 % U_T ; 25 cykler vid 0° Enfas vid 0° |


Spänningsavbrott


|  | Produkten får inte utföra oväntade åtgärder eller begränsa åtgärder på grund av ett kortvarigt strömavbrott. |
|--|--|
| Test-standard | Testnivå för immunitet |
| SS-EN 61000-4-11 | 0 % U_T ; 300 cykler |

Elektromagnetisk emission

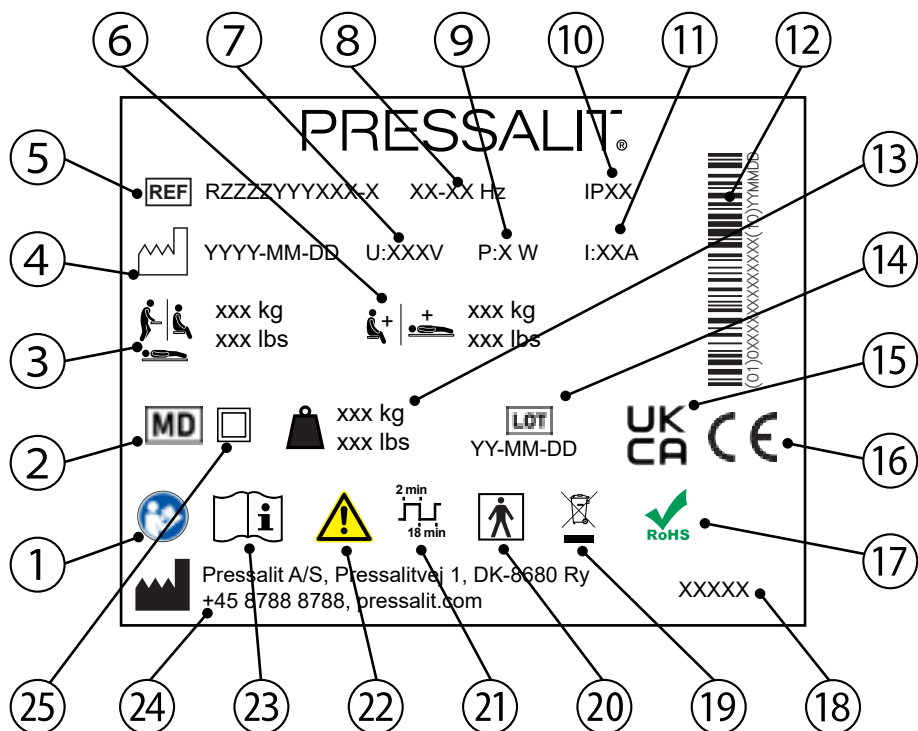
| Emission från ledningsbunden RF | |
|---|--|
|  | Produkten får inte avge för mycket brus till elnätet. Det kan medföra störningar på andra produkter. |
| Teststandard | Emissionsstandard och -grupp |
| SS-EN 55011 | Klass B, grupp 1 |

| Emission från RF-strålning | |
|---|---|
|  | Produkten får inte avge RF-signaler till omgivningen. De kan medföra störningar på andra produkter. |
| Teststandard | Emissionsstandard och -grupp |
| SS-EN 55011 | Klass B, grupp 1 |

| Korrekt belastning av elnätet | |
|---|---|
|  | Produkten får inte belasta elnätet oavsiktligt. |
| Teststandard | Emissionsstandard och -grupp |
| IEC 61000-3-2 | Klass A |

| Spänningsförändringar, spänningsvariationer och flimmer | |
|---|---|
|  | Produkten får inte påverka andra produkter när den är ansluten till elnätet. Det kan till exempel röra sig om lampor som börjar blinka och därmed stör andra personer i rummet. |
| Teststandard | Emissionsstandard och -grupp |
| SS-EN 61000-3-3 | Testad enligt denna standard. |

Produktetikett



1 Läs manualen för att få anvisningar om användning.

2 Medicinsk utrustning

3 Användarens maxvikt

4 Tillverkningsdatum

5 Artikelnummer

6 Max. belastning

7 Nätpänning

8 Frekvens

9 Maximal energiförbrukning

⑩ IP-klass

⑪ Elektrisk ström

⑫ Streckkod GS1-128

⑬ Produktvikt

⑭ Batchkod

⑮ UKCA-märkt

De här produkterna är CE-märkta i enlighet med relevanta krav i:

- Förordning (EU) 2017/745 (av den 5 april 2017) om medicintekniska produkter.

⑯ • Maskindirektivet 2006/42/EG (av den 17 maj 2006).

- RoHS-direktivet 2011/65/EG (av den 8 juni 2011).

En försäkran om överensstämmelse finns på pressalit.com.

⑰ Produkten innehåller inga av de farliga ämnen som är angivna i RoHS-direktivet 2011/65/EG.

⑱ Produktnamn (om tillämpligt)

⑲ Produkten får inte kasseras som vanligt hushållsavfall. Avfallssortera de olika delarna och lämna in dem för återvinning på därför avsedd plats.

⑳ Typ BF-del. En del av produkten kommer att komma i fysisk kontakt med patienten vid normal användning. Produkten uppfyller kraven i IEC 60601-1 och är därmed skyddad mot elektriska stötar.

sv ㉑ Arbetscykel

㉒ Läs manualen för att få veta innebörden i viktig säkerhetsinformation som varningar och försiktighetsåtgärder.

㉓ Läs manualen för att få anvisningar om användning.

㉔ Tillverkarens namn och adress.

㉕ Dubbelisolerad elektrisk apparat.

Teknisk information

| | |
|----------|---|
| Material | Pulverlackat rostfritt stål Plast: PVC (skydd) Polystyren (hölje) |
| IP-klass | Produkten är kapslingsklassad enligt IPX6. Produkten får inte sänkas ned i vatten, men den är skyddad mot kraftig överspolning av vatten (från en öppning på 12,5 mm) i alla riktningar. |

Kassering och återvinning

Produkten innehåller material som går att återvinna. Det finns inga kända risker förknippade med kassering av produkten. Alla komponenter kan kasseras efter att de har rengjorts och desinficerats.

Vid kassering av produkten rekommenderar vi att den demonteras och att de olika delarna avfallssorteras för återvinning eller förbränning.

I följande tabell finns information om återvinning och hantering av produkten.

| Komponenter som kan återvinnas | Material |
|---------------------------------------|--|
| Stål | Stål kan återvinnas genom att smältas ned och inkluderas som ett sekundärt material vid tillverkning av nytt stål. |
| Plast | Sortera som plastavfall. |
| Elektronik | De elektroniska komponenterna ska samlas in och sorteras som elektriskt avfall. |

SV

Innholdsfortegnelse

| | |
|--|-----|
| Monteringsanvisning | 134 |
| Visuell hurtigveiledning | 134 |
| Symboler brukt i denne brukerhåndboken | 135 |
| Generell sikkerhet | 136 |
| Tiltenkt bruk | 137 |
| Krav til operatører | 137 |
| Krav til brukere | 137 |
| Krav til omgivelsene ved bruk | 137 |
| Kontraindikasjoner for bruk | 137 |
| Biokompatibilitet | 137 |
| Bruksanvisning | 138 |
| Sikkerhetsskinne | 139 |
| Høydejustering | 140 |
| Nettrekk/lerretstrekk | 141 |
| Feste overtrekket med glidelås på rammen | 142 |
| Rengjøring | 143 |
| Desinfeksjon | 143 |
| Vedlikehold | 144 |
| Vedlikeholdskontroll | 144 |
| Feilsøking | 146 |
| Elektromagnetisk kompatibilitet | 147 |
| Elektromagnetisk immunitet | 148 |
| Elektromagnetisk utslipp | 151 |
| Produktetikett | 152 |
| Tekniske data | 154 |
| Kassering og gjenvinning | 154 |

Monteringsanvisning



En monteringsanvisning er inkludert med dette produktet. Den kan også lastes ned fra pressalit.com.

no

Visuell hurtigveiledning



En visuell hurtigveiledning er inkludert med produktet. Den kan også lastes ned fra pressalit.com.

Symboler brukt i denne brukerhåndboken

De følgende symbolene brukes i denne brukerhåndboken og i den tilhørende dokumentasjonen som følger med produktet.



ADVARSEL indikerer en potensiell farlig situasjon som, hvis den ikke unngås, kan føre til død eller alvorlig personskade.



FORSIKTIG angir en potensielt farlig situasjon som, hvis den ikke unngås, kan føre til mindre eller moderate personskader. Det kan også brukes for å advare mot feilaktig bruk.



VIKTIG angir viktig informasjon om korrekt håndtering og bruk av produktet.



MERKNAD indikerer forhold som ikke er relatert til personlig sikkerhet.

| | | | |
|-----------------------|-----------------------|-----------------------------------|------------------------------------|
| | | | |
| Advarsel om håndskade | Advarsel om hodeskade | Advarsel om elektrisitet/spenning | Ikke forlat pasienten uten tilsyn. |
| | | | |
| Strøm-spesifikasjoner | Reservedeler | Artikkel-nummer/-versjoner | |
| | | | |
| Produktvekt | Maksimal brukervekt | | |

no

Generell sikkerhet

ADVARSEL

- Les og forstå brukerhåndboken fullstendig før bruk. Oppbevar brukerhåndboken nær enheten.
- Følg instruksjonene i denne brukerhåndboken for å unngå ulykker som kan føre til alvorlig personskade.
- Dette produktet skal aldri brukes eller håndteres på andre måter enn som beskrevet i denne brukerhåndboken. Dette kan redusere sikkerheten for deg og føre til skade på produktet.
- Sørg for at alle som skal montere eller bruke produktet og systemene, har all nødvendig informasjon og tilgang til denne brukerhåndboken.

FORSIKTIG

- Følg disse instruksjonene for å unngå at produktet skades eller ødelegges.
- Ikke utfør reparasjoner, demonterings- eller monteringsoperasjoner, utvidelser, justeringer eller modifikasjoner på dette produktet. Dette skal kun utføres av Pressalit eller personer som er autorisert av Pressalit.
- La aldri barn bruke dette produktet uten tilsyn. Produktet er ikke et leketøy.
- Bruk aldri produktet hvis det er defekt eller skadet. Bruk ikke et defekt produkt før det er blitt reparert.

MERKNAD

- Informasjonen i denne brukerhåndboken forutsetter at produktet er riktig montert i samsvar med våre monteringsinstruksjoner.
- Pressalit kan ikke holdes ansvarlig hvis produktet brukes på annen måte enn som beskrevet i veiledningen.
- Vi forbeholder oss retten til å foreta endringer i denne brukerhåndboken uten varsel.

Tiltenkt bruk

Dette produktet skal brukes til å dusje/bade en person som ikke kan stå eller sitte. Personen skal ligge horisontalt på dusjstøttebordet.

Krav til operatører

Produktet skal brukes av kvalifisert pleiepersonell som er opplært i vask av pasienter.

Krav til brukere

Produktet kan brukes av alle – voksne, barn, unge, eldre – som veier **maksimalt 200 kg**.

Krav til omgivelsene ved bruk

For bruk innendørs i våtrom, som bad eller vaskerom. Produktet skal brukes ved romtemperatur, i private hjem, på pleiehjem og sykehus under normale driftsforhold.

Kontraindikasjoner for bruk

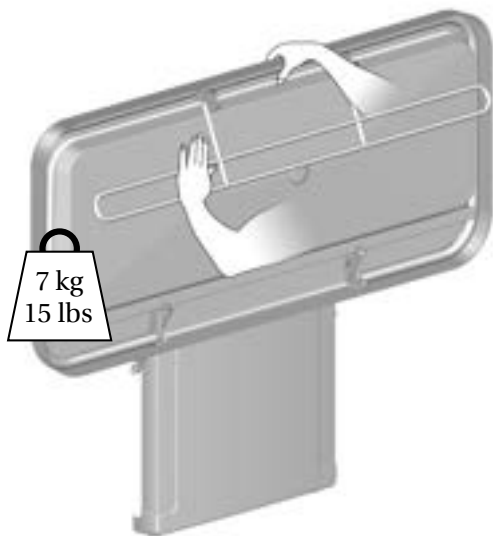
Bruk av enheten anbefales ikke for pasienter med infusjons- eller insulinpumpe, inflammatoriske hudsykdommer eller pasienter med feber.

Pasienter med hjertesvikt, hjerte- og karsykdommer, kranial/cerebral skade, åpne sår, ernæringssonder eller dren (f.eks. kateter, drenslanger) kan bare bruke enheten etter å ha konsultert den behandlende legen.

Biokompatibilitet

Materialene som er i kontakt med huden til brukeren under tiltenkt bruk, er evaluert for innhold av skadelige stoffer i henhold til NS-EN ISO 10993-1:2020 Biologisk evaluering av medisinsk utstyr — Del 1; og anses derfor som egnet for dette formålet.

Bruksanvisning



Støtt dusjstallebordet med hånden eller kroppen når det foldes ned, for å unngå risiko for skade.

De innebygde gassylindrene gjør det enkelt å folde opp dusjstallebordet mot veggen igjen etter bruk.



Vær forsiktig for å unngå håndskade når hendene er i nærheten av lukkemekanismene.

 **FORSIKTIG**

Vær alltid forsiktig når en person flyttes på eller av dusjstallebordet.

 **FORSIKTIG**

Produktets overflate kan bli varm og/eller kald hvis den utsettes for eksterne kilder for varme eller kulde (f.eks. sollys eller frost).

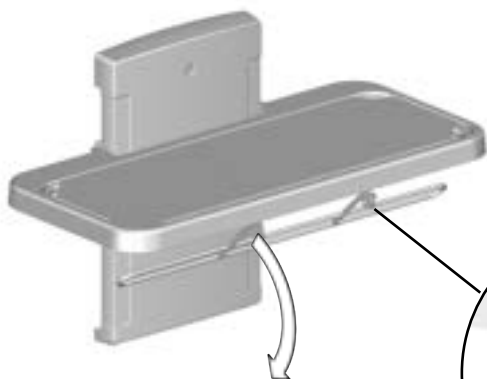
MERKNAD

Enhver alvorlig hendelse som har skjedd i forbindelse med produktet, skal rapporteres til produsenten og helsemyndighetene.

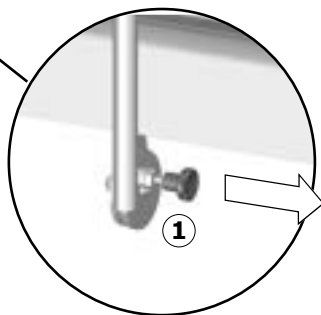
Sikkerhetsskinne



Slik trekker du opp sikkerhetsskinne: Sving sikkerhetsskinne oppover fra undersiden av dusjstellebordet. Sikkerhetsskinne låses i posisjon automatisk.



Slik slår du sammen sikkerhetsskinne: Frigjør låsen ①, og sving sikkerhetsskinne nedover mot undersiden av dusjstellebordet.



FORSIKTIG

La **aldri** en person ligge på dusjstellebordet uten at trekket er på plass. Bakken under seksjonene er kun til vannoppsamling. Skal ikke brukes som badekar. Fare for skade på brukeren og på produktet.

no

Høydejustering



Når dusjstellebordet er montert i anbefalt høyde, kan det justeres mellom 480 og 880 mm over gulvet.

Høydejusteringen kontrolleres med den kablede fjernkontrollenheten.



Trykk på og hold inne opp-knappen for å heve stellebordet.
Bevegelsen stopper når du slipper knappen.



Trykk på og hold inne ned-knappen for å senke stellebordet.
Bevegelsen stopper når du slipper knappen.



For å unngå fare for kvelning må du sørge for at den kablede fjernkontrollen er plassert i holderen når den ikke er i bruk.



Vær forsiktig for å unngå hånd- og hodeskade når du er i nærheten av mekaniske deler i bevegelse.



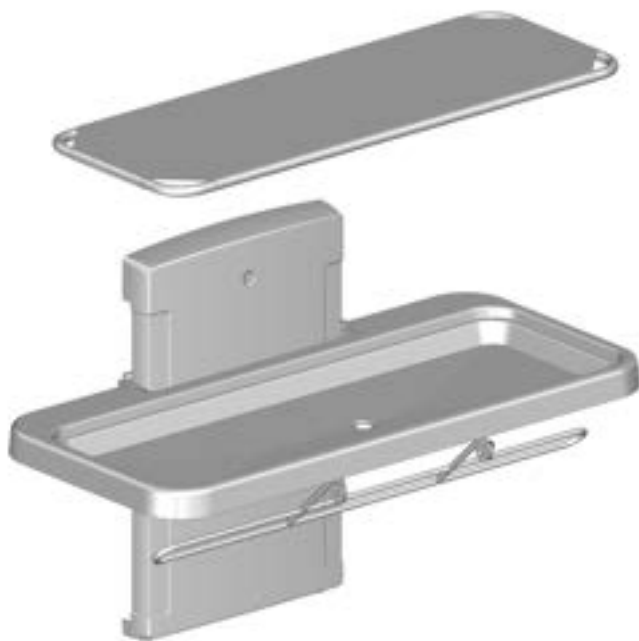
FORSIKTIG

Plasser aldri gjenstander under dusjstellebordet.



Ikke forlat pasienten uten tilsyn.

Nettrekk/lerretstrekk



Rammen med overtrekket kan tas av for rengjøring.
Trekket har glidelåsåpning og kan tas av og vaskes i vanlig vaskemaskin på maks. 70 °C.

Tørk vannoppsamlingsbakken.

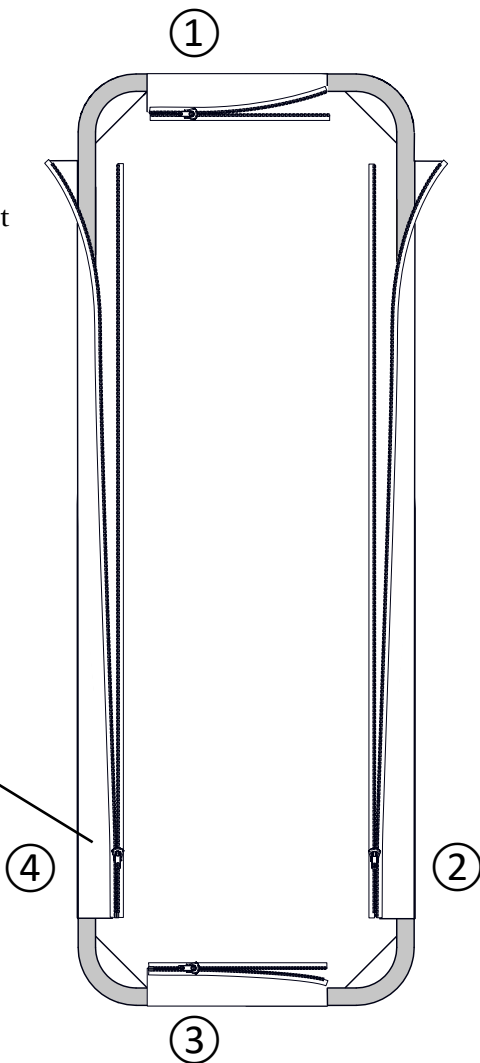
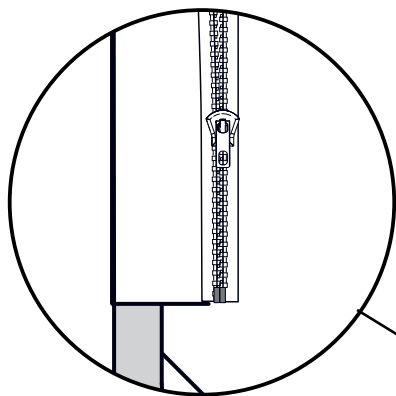
Feste overtrekket med glidelås på rammen

Når overtrekket har blitt tatt av for å vaskes, må det settes på rammen igjen ved hjelp av glidelåsene.

Lukk alle glidelåsene ca. 5 cm.

Fortsett å lukke de fire glidelåsene gradvis med eller mot klokken.

På den måten vil overtrekket bli festet riktig på rammen.



Rengjøring

Produktet skal rengjøres med varmt vann eller et mildt rengjøringsmiddel. Du finner en liste over passende rengjøringsmidler testet av Pressalit, på pressalit.com.



Les alltid produktdatabladet (MSDS) og instruksjonene som følger med rengjørings-, desinfeksjons- eller kalkfjerningsmiddelet, og følg instruksjonene for sikker bruk, fortynning, skylling, tørking, håndtering og oppbevaring av middelet.

VIKTIG

- Ikke bruk autoklaving eller annen type damprengjøring.
- Unngå sterke rengjøringsmidler som inneholder syre.
- Spray aldri produktet direkte med en høytrykksspyler.
- Unngå bruk av skurende, korroderende eller klorbaserte rengjørings- eller desinfeksjonsprodukter.

Desinfeksjon

Hvis dusjstallebordet skal brukes på flere pasienter, må det både rengjøres og desinfiseres mellom hver pasient for å hindre risiko for kryssinfeksjon. Du finner en liste over passende desinfeksjonsmidler på pressalit.com.

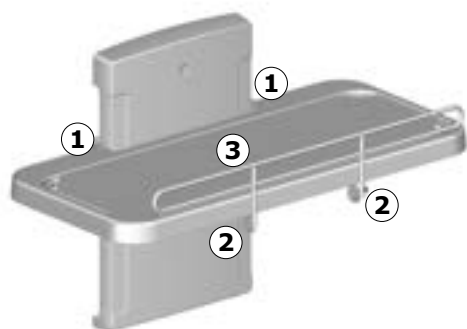
no

Vedlikehold

Forventet levetid for dusjstellebordet er 10 år, forutsatt at det vedlikeholdes som beskrevet nedenfor:

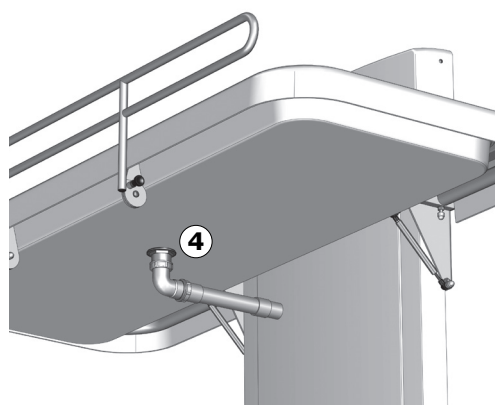
Det anbefales å kjøre motorene til maksimal posisjon ukentlig ved å heve dusjstellebordet til full høyde og deretter senke det til laveste posisjon, slik at de innvendige delene smøres.

Det anbefales å utføre en vedlikeholdskontroll én gang i året.



Vedlikeholdskontroll

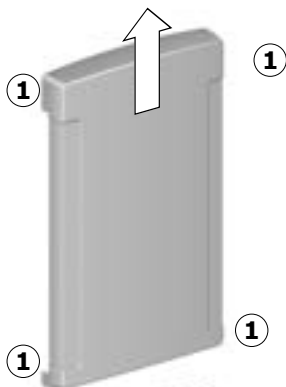
- Kontroller hengslene ① på dusjstellebordet og sikkerhetsskinnen ②. Stram til om nødvendig.
- Kontroller overtrekket ③ for skade, og skift det ut om nødvendig.



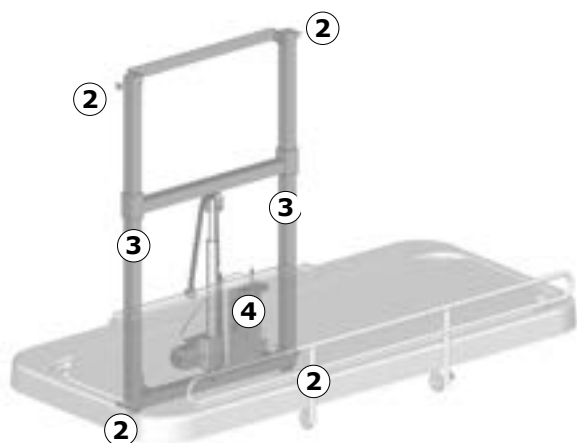
- Sjekk koblingene til avløpsslangen ④, og sjekk og rengjør vannlåsen (hvis montert).



Koble fra strømmen før du fjerner dekslene.



- Fjern de øvre og nedre festeskrueene ① på dekselet, og fjern det forsiktig.

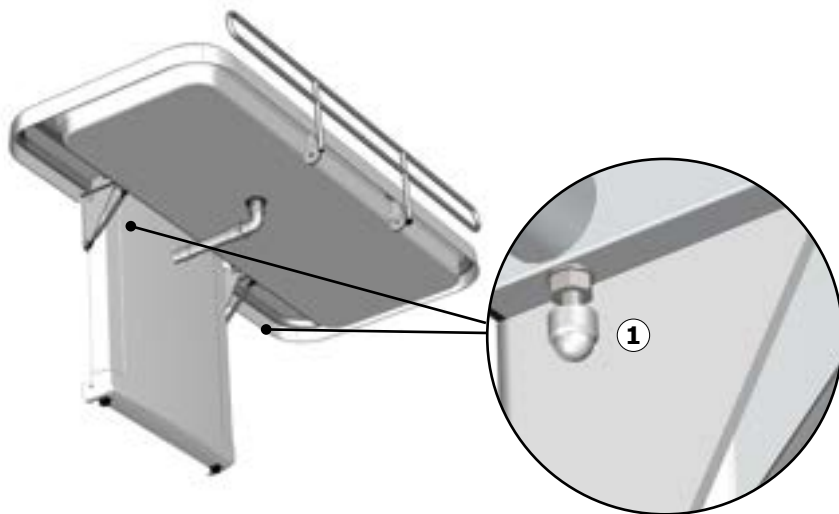


- Sjekk veggbrakettene ② og stram dem ved behov.
- Smør bevegelige deler, spesielt glidebrakettene ③.
- Sjekk alle elektriske koblinger til kontrollboksen ④.
- Sett på plass dekselet igjen, og stram til festeskrueene.
- Koble til strømmen igjen.

no

Feilsøking

| Symptom | Årsak | Tiltak |
|---|---|--|
| Dusjstallebordet holder seg ikke oppreist. | Gassylindrene er defekte. | Kontakt Pressalit eller din lokale forhandler. |
| Produktet fungerer ikke, selv om fjernkontrollen brukes riktig. | Feil på strømforsyningen. | Sjekk at alle ledninger og plugger er intakte og riktig tilkoblet. Kontakt Pressalit eller din lokale forhandler. |
| Vannet renner ikke ut av vannoppsamlingsbakken. | Justeringskruene er for stramme eller for slakke. | Juster justeringskruene ①. |
| Dusjstallebordet heves og senkes ujevnt. | Glidebrakettene er ikke tilstrekkelig smurt. | Smør glidebrakettene som beskrevet i "Vedlikehold". |



no

Kontakt Pressalit eller forhandleren hvis problemet vedvarer. Ikke prøv å reparere produktet selv, da dette vil gjøre garantien ugyldig.

Elektromagnetisk kompatibilitet

Enheten er egnet for bruk i hjemmet, i barnehager, på dagsentre for personer med fysiske eller psykiske funksjonshemninger eller på sykehus, bortsett fra i nærheten av aktivt HF-kirurgisk utstyr og RF-skjermede rom med medisinske systemer for magnetisk resonansavbildning med elektromagnetiske forstyrrelser med høy intensitet.

Enheten har ingen funksjon knyttet til grunnleggende sikkerhet eller vesentlig ytelse. Ved tap eller forringelse av ytelsen på grunn av elektromagnetiske forstyrrelser kan brukeren fortsatt gå av og på produktet.


| Kabel | Lengde |
|------------------------------|-------------------|
| Strømledning | 3,2 m |
| Spiralkabel til håndkontroll | Ca. 5 m forlenget |


ADVARSEL

- Bruk av andre tilbehør, transdusere og kabler enn det som er spesifisert eller levert av produsenten, kan føre til økt elektromagnetisk stråling eller redusert elektromagnetisk immunitet for dette utstyret og resultere i feilfunksjon.
- Bærbart RF-kommunikasjonsutstyr (inkludert periferiutstyr som antennekabler og eksterne antenner) bør ikke brukes nærmere enn 30 cm fra noen del av enheten, inkludert kablene, for å unngå redusert ytelse for denne enheten.
- Bruk av dette utstyret ved siden av eller stablet med annet utstyr bør unngås fordi det kan føre til feilfunksjon. Hvis slik bruk er nødvendig, bør dette utstyret og det andre utstyret observeres for å bekrefte at de fungerer normalt.


no

Elektromagnetisk immunitet

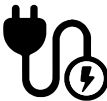
| Elektrostatisk utlading | |
|---|---|
|  | Produktet må ikke påvirkes av elektrisk utlading mellom en person og produktet på en slik måte at det igangsetter handlinger eller gjør komponenter defekte |
| Teststandard | Immunitetstestnivå |
| EN 61000-4-2 | +/- 8 kV kontakt +/- 2, 4, 8, 15 kV luft |

| Utstrålt RF-elektromagnetisk felt | |
|---|--|
|  | Produktet må ikke påvirkes av utstrålte RF-signaler, for eksempel fra mobiltelefon eller radio, som kan føre til at produktet igangsetter handlinger eller gjør komponenter defekte. |
| Teststandard | Immunitetstestnivå |
| EN 61000-4-3 | 15 V/m 80 MHz til 1000 MHz (kun på forsiden) 15 V/m 1,01 GHz til 3 GHz 80 % AM 1 kHz |

Immunitet til nærhetsfelt fra trådløst RF-kommunikasjonsutstyr


| | |
|---|---|
|  | Produktet må ikke påvirkes av utstrålte RF-signaler, for eksempel fra mobiltelefon eller radio, som kan føre til at produktet igangsetter handlinger eller gjør komponenter defekte |
| Test-standard | Immunitetstestnivå |
| EN 61000-4-3* | 385 MHz, 27 V/m, 18 Hz PM (50 % arbeidssyklus firkantbølge) 450 MHz, 28 V/m, FM +/- 5 kHz avvik, 1 kHz sinus 710 MHz, 9 V/m, 217 Hz PM (50 % arbeidssyklus firkantbølge) 745 MHz, 9 V/m, 217 Hz PM (50 % arbeidssyklus firkantbølge) 780 MHz, 9 V/m, 217 Hz PM (50 % arbeidssyklus firkantbølge) 810 MHz, 28 V/m, 18 Hz PM (50 % arbeidssyklus firkantbølge) 870 MHz, 28 V/m, 18 Hz PM (50 % arbeidssyklus firkantbølge) 930 MHz, 28 V/m, 18 Hz PM (50 % arbeidssyklus firkantbølge) 1720 MHz, 28 V/m, 217 Hz PM (50 % arbeidssyklus firkantbølge) 1845 MHz, 28 V/m, 217 Hz PM (50 % arbeidssyklus firkantbølge) 1970 MHz, 28 V/m, 217 Hz PM (50 % arbeidssyklus firkantbølge) 2450 MHz, 28 V/m, 217 Hz PM (50 % arbeidssyklus firkantbølge) 5240 MHz, 9 V/m, 217 Hz PM (50 % arbeidssyklus firkantbølge) 5500 MHz, 9 V/m, 217 Hz PM (50 % arbeidssyklus firkantbølge) 5785 MHz, 9 V/m, 217 Hz PM (50 % arbeidssyklus firkantbølge) |

Elektriske raske transienter / brister


| | |
|---|---|
|  | Produktet må ikke påvirkes av raske pulssignaler som kommer inn gjennom ledningen. Dette kan føre til at komponentene blir defekte, eller at produktet kan sette i gang handlinger. |
| Test-standard | Immunitetstestnivå |
| EN 61000-4-4 | +/- 1 kV, +/- 2 kV 100 kHz repetisjonsfrekvens |

no

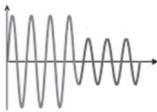
Immunitet mot spenningstopp

| | |
|---|---|
|  | Produktet må ikke påvirkes til å igangsette handlinger eller gjøre komponenter defekte som følge av lynnedslag. |
| Test-standard | Immunitetstestnivå |
| EN 61000-4-5 | Linje-til-linje: +/- 0,5 kV, +/-1 kV Linje-til-jord: +/- 0,5 kV, +/-1 kV, +/- 2 kV |


Immunitet mot ledningsforstyrrelser induisert av RF-felt

| | |
|---|---|
|  | Ledningene må ikke påvirkes av andre RF-felt for å sette i gang handlinger eller gjøre komponenter defekte. |
| Test-standard | Immunitetstestnivå |
| EN 61000-4-6 | 3 V (6 V i ISM-bånd og amatørradiobånd) 0,15 til 80 MHz, 80 % AM ved 1 kHz |


Spenningsfall


| | |
|---|---|
|  | Produktet må ikke igangsette eller begrense handlinger som følge av spenningsfall i strømforsyningen. |
| Test-standard | Immunitetstestnivå |
| EN 61000-4-11 | 0 % U_T ; 0,5 syklus ved 0°, 45°, 90°, 135°, 180°, 225°, 270° og 315°, 0 % U_T ; 1 syklus ved 0°, 70 % U_T ; 25 sykluser ved 0° Énfaset ved 0° |

Spenningsavbrudd


| | |
|--|---|
|  | Produktet må ikke igangsette eller begrense handlinger som følge av korte avbrudd i strømforsyningen. |
| Test-standard | Immunitetstestnivå |
| EN 61000-4-11 | 0 % U_T ; 300 sykluser |

Elektromagnetisk utslipp

| Ledet RF-utslipp | |
|---|---|
|  | Produktet må ikke sende for mye støy inn i nettet. Dette kan føre til forstyrrelser av andre produkter. |
| Teststandard | Utslippstestklasse og -gruppe |
| EN 55011 | Klasse B, gruppe 1 |

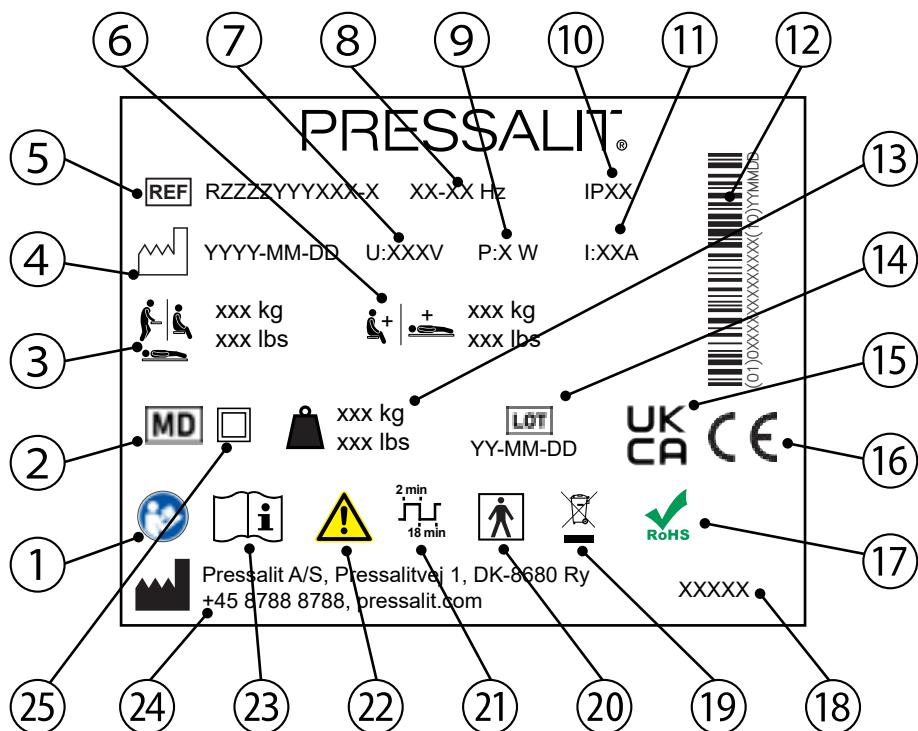
| Utstrålt RF-utslipp | |
|---|---|
|  | Produktet må ikke sende ut RF-signaler i rommet. Dette kan føre til forstyrrelser av andre produkter. |
| Teststandard | Utslippstestklasse og -gruppe |
| EN 55011 | Klasse B, gruppe 1 |

| Harmoniske strømutslipp | |
|---|---|
|  | Produktet må ikke utilsiktet trekke strøm fra nettet. |
| Teststandard | Utslippstestklasse og -gruppe |
| IEC 61000-3-2 | Klasse A |

| Spenningsendringer, spenningsvingninger og flimrer | |
|---|--|
|  | Produktet må ikke påvirke andre produkter når det er koblet til nettet. Dette kan for eksempel være lamper som kan begynne å blinke og dermed plager mennesker i rommet. |
| Teststandard | Utslippstestklasse og -gruppe |
| EN 61000-3-3 | Testet i henhold til standarden. |

no

Produktetikett



1 Se brukerhåndboken

2 Medisinsk enhet

3 Maksimal brukervekt

4 Produksjonsdato

5 Artikkelnummer

6 Maks. belastning

7 Nettspenning

8 Frekvens

9 Maksimalt strømforbruk

⑩ IP-klasse

⑪ Elektrisk strøm

⑫ GS1-128-strekkode

⑬ Produktvekt

⑭ Partikode

⑮ Samsvar vurdert i Storbritannia

Disse produktene er CE-merket i henhold til relevante krav i:

- Forordning (EU) 2017/745 (fra 5. April 2017) om medisinsk utstyr.

⑯

- Rådskdirektiv 2006/42/EF (fra 17. mai 2006) om maskiner.
- Rådskdirektiv 2011/65/EF (fra 8. mai 2011) om RoHS.

Du finner en samsvarserklæring på pressalit.com

⑰ Dette produktet inneholder ingen av de farlige stoffene som nevnes i rådskdirektiv 2011/65/EF om RoHS.

⑱ Produktnavn (hvis dette finnes)

⑲ Skal ikke kastes sammen med usortert husholdningsavfall. Dette produktet skal samles inn separat og returneres til den relevante gjenvinningstjenesten.

⑳ Anvendt del type BF. Ved normal bruk vil en del av produktet nødvendigvis komme i fysisk kontakt med pasienten, for at produktets funksjon skal kunne utføres. Produktet overholder kravene i IEC 60601-1 angående beskyttelse mot elektrisk støt

㉑ Driftssyklus

㉒ Se håndboken for viktig sikkerhetsinformasjon som f.eks. advarsler og forholdsregler

㉓ Se brukerhåndboken

㉔ Navn og adresse til produsent

㉕ Dobbeltisolert elektrisk apparat

Tekniske data

| | |
|------------|--|
| Materialer | Pulverlakkert rustfritt stål Plast: PVC (kanvas) Polystyren (deksel) |
| IP-klasse | Produktet har inntrengningsbeskyttelsesrangering IPX6. Produktet skal ikke nedsenkes i vann, men tåler kraftig vannsprut (12,5 mm dyse) fra hvilken som helst retning. |

Kassering og gjenvinning

Enheten inneholder materiale som kan gjenvinnes. Det er ingen kjente farer eller risikoer forbundet med avhending av produktet. Alle komponenter kan kasseres når de er blitt rengjort og desinfisert.

Når produktet avhendes, anbefaler vi at det demonteres og sorteres i ulike avfallsgrupper for gjenvinning eller forbrenning.

Den følgende tabellen gir informasjon om gjenvinning og håndtering av produktet.

| Komponenter som kan gjenvinnes | Materiale |
|---------------------------------------|---|
| Stål | Stål kan gjenvinnes ved at det omsmeltes og inkluderes som et sekundærmateriale ved produksjon av nytt stål. |
| Plast | Bruk plastsorterings- og -gjenvinningssystemer hvis slike finnes tilgjengelig lokalt. Hvis ikke kan plasten brennes, noe som genererer ny energi som for eksempel kan brukes ved kombinert varme- og kraftproduksjon. |
| Elektronikk | De elektroniske komponentene skal samles inn separat og returneres til den relevante gjenvinningstjenesten. |

Contenido

| | |
|--|-----|
| Instrucciones de montaje | 155 |
| Guía visual de funcionamiento | 155 |
| Símbolos utilizados en este manual | 156 |
| Seguridad general | 157 |
| Uso previsto | 158 |
| Perfil de operador previsto | 158 |
| Perfil de usuario previsto | 158 |
| Entorno de funcionamiento | 158 |
| Contraindicaciones de uso | 158 |
| Biocompatibilidad | 158 |
| Instrucciones de funcionamiento | 159 |
| Barra de seguridad | 160 |
| Regulación de la altura | 161 |
| Cubierta de malla/lona | 162 |
| Cerrado de la cremallera de la cubierta en la estructura | 163 |
| Limpieza | 164 |
| Desinfección | 164 |
| Mantenimiento | 165 |
| Inspección de mantenimiento | 165 |
| Solución de problemas | 167 |
| Compatibilidad electromagnética | 168 |
| Inmunidad electromagnética | 169 |
| Emisión electromagnética | 172 |
| Etiqueta del producto | 173 |
| Datos técnicos | 175 |
| Eliminación y reciclaje | 175 |

Instrucciones de montaje



Este producto incluye instrucciones de montaje. Si lo prefiere, puede descargarlas desde pressalit.com.

Guía visual de funcionamiento



Este producto incluye una guía visual de funcionamiento. Si lo prefiere, puede descargarlas desde pressalit.com.

es

Símbolos utilizados en este manual

Los símbolos siguientes se utilizan en el presente manual y en la documentación complementaria suministrada con el producto.



ADVERTENCIA indica una posible situación de peligro que, de no evitarse, podría provocar la muerte o lesiones graves.



ATENCIÓN indica una posible situación de peligro que, de no evitarse, podría provocar lesiones leves o moderadas. También puede utilizarse para advertir de prácticas inseguras.



IMPORTANTE indica información importante sobre la manipulación y la utilización del producto.



AVISO se utiliza para hacer referencia a prácticas no relacionadas con la seguridad personal.

| | | | |
|---|---|---|---|
|  |  |  |  |
| Advertencia de posibles lesiones en las manos | Advertencia de posibles lesiones en la cabeza | Advertencia de tensiones/ corrientes eléctricas | No deje al paciente sin supervisión |
|  |  |  | |
| Especificaciones de alimentación | Piezas de repuesto | Número/ Versiones de artículo | |
|  |  | | |
| Indicación de peso | Peso máx. del usuario | | |

es

Seguridad general



ADVERTENCIA

- Lea todo el manual y asegúrese de entenderlo antes de cualquier uso. Mantenga el manual cerca de la unidad.
- Siga las indicaciones del manual para evitar accidentes que podrían ocasionar daños personales graves.
- No utilice ni manipule nunca el producto de forma distinta a como se especifica en el manual, ya que podría resultar peligroso y provocar daños en el producto.
- Asegúrese de que las personas que vayan a instalar o utilizar el producto y sus sistemas pueden acceder a este manual y disponen de la información necesaria.



ATENCIÓN

- Siga estas instrucciones para evitar dañar o destruir el producto.
- No lleve a cabo reparaciones ni operaciones de montaje y desmontaje, no instale extensiones ni reajuste o modifique el producto. Todas estas operaciones deben ser realizadas solamente por Pressalit o personas autorizadas por Pressalit.
- No deje nunca que los niños manipulen el producto sin supervisión. El producto no ha sido diseñado para el juego.
- No utilice nunca el producto si está defectuoso o dañado. No utilice nunca un producto defectuoso hasta que haya sido reparado.

AVISO

- La información contenida en este manual se basa en el ajuste correcto del producto según nuestras instrucciones de montaje.
- Pressalit no se hace responsable de la utilización del producto de manera diferente a la descrita en la guía.
- Nos reservamos el derecho de modificar este manual sin previo aviso.

Uso previsto

Este producto se ha diseñado para bañar a personas que no pueden mantenerse en pie o sentarse. La persona permanece horizontal en la camilla de ducha.

Perfil de operador previsto

El producto debe utilizarlo únicamente personal formado en asistencia sanitaria y/o en el aseo asistencial.

Perfil de usuario previsto

El producto puede ser utilizado con cualquier persona (adultos, niños, jóvenes, ancianos) cuyo peso no supere la **carga máxima de 200 kg**.

Entorno de funcionamiento

Para uso en interiores de ambientes húmedos tales como baños o zonas de aseo. El producto está diseñado para ser utilizado a temperatura ambiente en casas privadas, centros de cuidado para personas mayores y hospitales en condiciones de trabajo normales.

Contraindicaciones de uso

El uso de la unidad no está recomendado para pacientes con bomba de infusión o insulina, enfermedades inflamatorias de la piel o pacientes en condiciones febriles.

En la unidad solo se podrá asistir a pacientes con insuficiencia cardíaca, enfermedades cardiovasculares, lesiones craneocerebrales, heridas abiertas, sondas de alimentación o drenaje (p. ej. catéter, tubo de drenaje) tras haber consultado con el médico responsable.

Biocompatibilidad

es El material en contacto con la piel del usuario durante el uso previsto ha sido evaluado por su contenido de sustancias nocivas de acuerdo con los procedimientos de la norma UNE-EN ISO 10993-1:2021 Evaluación biológica de productos sanitarios. Parte 1, por lo tanto, se considera apto para su finalidad.

Instrucciones de funcionamiento



Sujete la camilla de ducha con la mano o el cuerpo cuando la despliegue para evitar daños.

Los cilindros de gas integrados facilitan el plegado de la camilla de ducha hacia la pared después de su uso.



Extreme la precaución para evitar lesionarse las manos alrededor de los cierres mecánicos.



ATENCIÓN

Extreme siempre la precaución a la hora de trasladar a una persona a la camilla de ducha o de bajarla.



ATENCIÓN

La superficie del producto puede estar caliente y/o fría si se expone a fuentes de calor o frío externas (p. ej., luz solar o escarcha).

AVISO

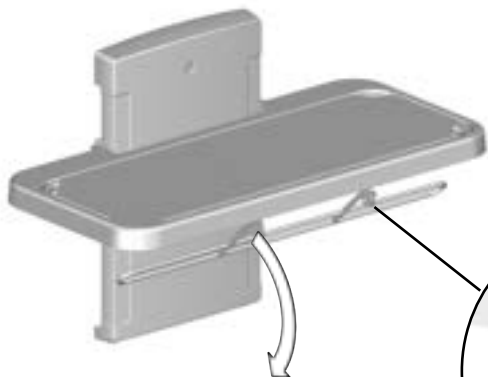
Debe informarse al fabricante y a las autoridades sanitarias de cualquier incidente grave que haya ocurrido en relación con el producto.

es

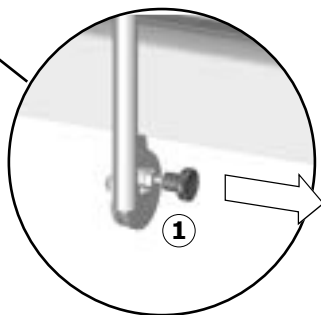
Barra de seguridad



Para levantar la barra de seguridad: arrastre la barra de debajo de la camilla de ducha hacia arriba. La barra de seguridad se bloqueará automáticamente en su sitio.



Para bajar la barra de seguridad: desbloquee el seguro ④ y arrastre la barra de seguridad hasta la parte inferior de la camilla de ducha.



ATENCIÓN



No permita **nunca** que nadie se estire en la camilla de ducha si no se ha instalado la cubierta. La bandeja situada debajo de las plataformas se utiliza únicamente para recoger el agua. No debe utilizarse como bañera. Existe riesgo de lesiones para el usuario y daños en el producto.

Regulación de la altura



Cuando la camilla de ducha se instala a la altura recomendada, se puede ajustar entre 480 y 880 mm sobre el nivel del suelo.

El ajuste de la altura se controla remotamente con una unidad de control remota con cable.



Pulse y mantenga pulsado el botón de subida para elevar la unidad.

El movimiento se detiene al soltar el botón.



Pulse y mantenga pulsado el botón de bajada para descender la unidad.

El movimiento se detiene al soltar el botón.



Para evitar el riesgo de estrangulamiento, asegúrese de que el control remoto con cable esté colocado en su soporte cuando no se utilice.



Extreme la precaución para evitar lesiones en las manos y la cabeza en las proximidades de las piezas mecánicas en movimiento.

! ATENCIÓN

Nunca coloque objetos debajo de la camilla de ducha.



No deje al paciente sin supervisión.

Cubierta de malla/lona



Puede quitar la estructura con la cubierta para realizar la limpieza.
La cubierta puede desmontarse desabrochando la cremallera para lavarla en la lavadora a una temperatura máxima de 70 °C.

Seque la bandeja de recogida de agua.

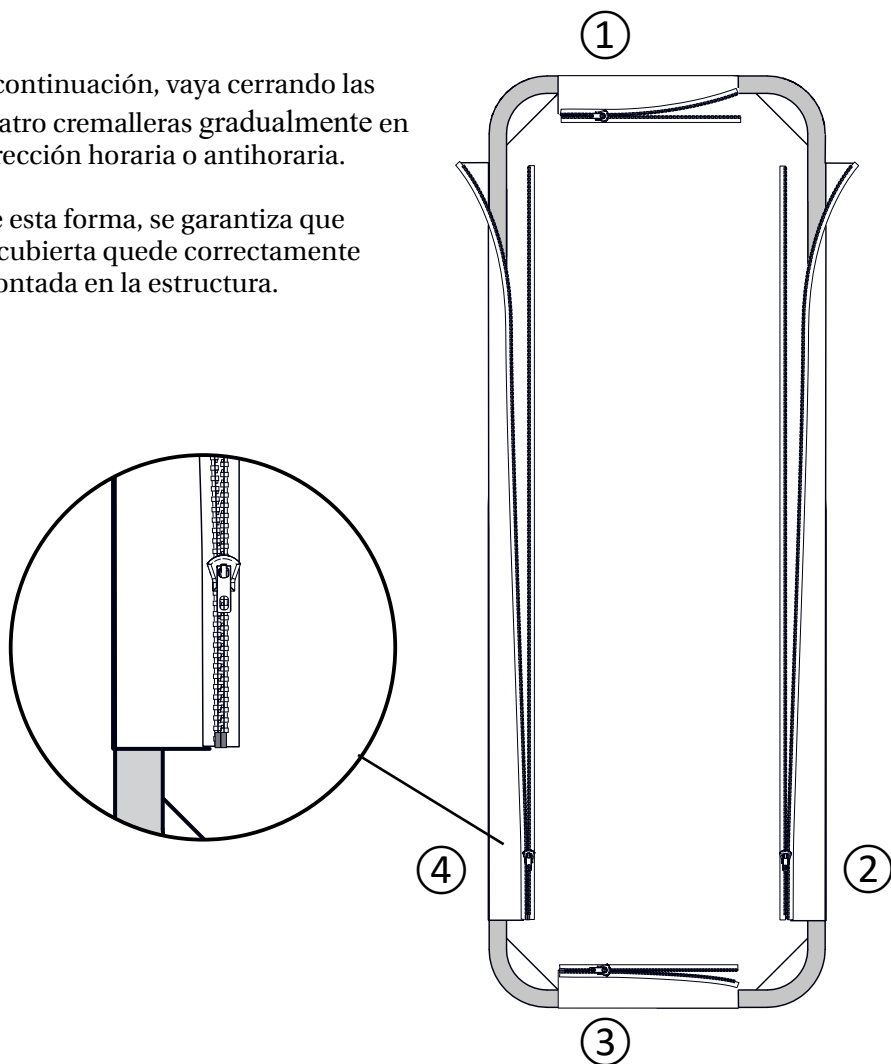
Cerrado de la cremallera de la cubierta en la estructura

Después de retirar la cubierta para el lavado, debe volver a montarse en la estructura mediante el cierre de la cremallera.

Cierre todas las cremalleras aproximadamente 5 cm.

A continuación, vaya cerrando las cuatro cremalleras gradualmente en dirección horaria o antihoraria.

De esta forma, se garantiza que la cubierta quede correctamente montada en la estructura.



Limpieza

Limpie el producto con agua caliente o con un agente de limpieza jabonoso suave. Encontrará una lista de agentes limpiadores probados por Pressalit en pressalit.com.

ATENCIÓN

Lea siempre las hojas de datos de seguridad (MSDS) y las instrucciones suministradas de limpieza, desinfección o del agente descalcificador y siga las instrucciones de uso seguro, dilución, aclarado, secado, manipulación y almacenamiento del agente.

IMPORTANTE

- No utilice sistemas de autoclave ni ningún otro tipo de limpieza a vapor.
- Evite los agentes limpiadores agresivos que contengan ácidos.
- Nunca pulverice el producto directamente con limpiadores de alta presión.
- Evite el uso de productos de limpieza o desinfectantes abrasivos, corrosivos o que contengan cloro.

Desinfección

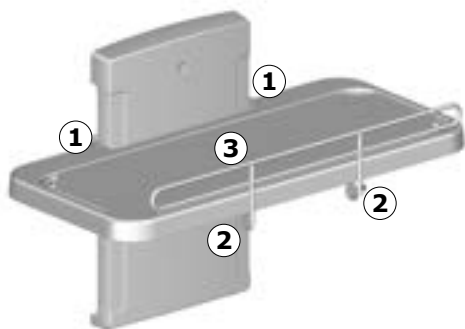
Si la camilla de ducha se utiliza para varios pacientes, es necesario limpiarla y desinfectarla entre los usos con cada paciente para evitar el riesgo de infecciones cruzadas. Encontrará una lista de desinfectantes aptos en pressalit.com.

Mantenimiento

La vida útil esperada de la camilla de ducha es de 10 años, siempre y cuando el mantenimiento se realice tal y como se describe a continuación:

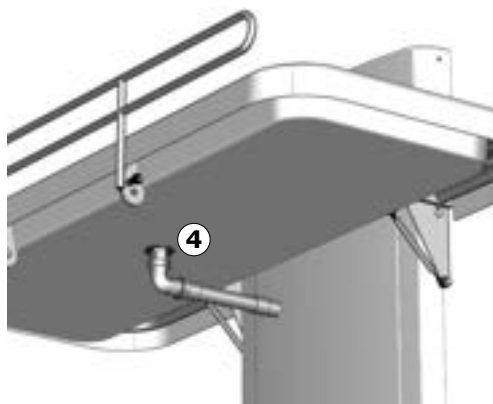
Se recomienda hacer funcionar los motores del producto hasta las posiciones máximas una vez a la semana; para hacerlo, eleve la camilla de ducha hasta su altura máxima y luego bájela hasta la posición más baja para que se lubriquen los componentes internos.

Se recomienda realizar una inspección de mantenimiento anual.



Inspección de mantenimiento

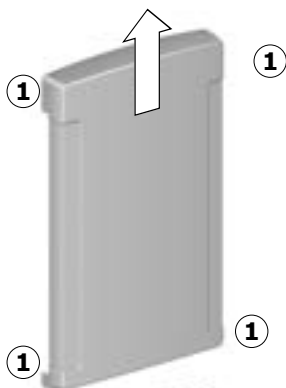
- Revise los dispositivos de montaje ① de la camilla de ducha y la barra de seguridad ②. Ajústelos si es preciso.
- Compruebe que la cubierta ③ no esté dañada y sustitúyala si es necesario.



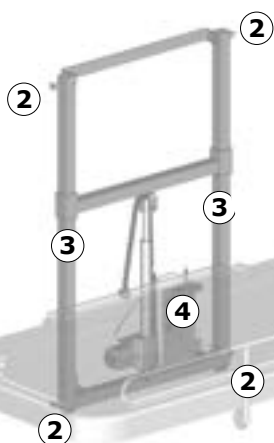
- Revise la conexión de la tubería de drenaje ④ y revise y limpie el colector de agua (si está instalado).



Desconecte la electricidad antes de retirar las cubiertas.



- Quite los tornillos de fijación superiores e inferiores ① de la cubierta y para poder retirarla.

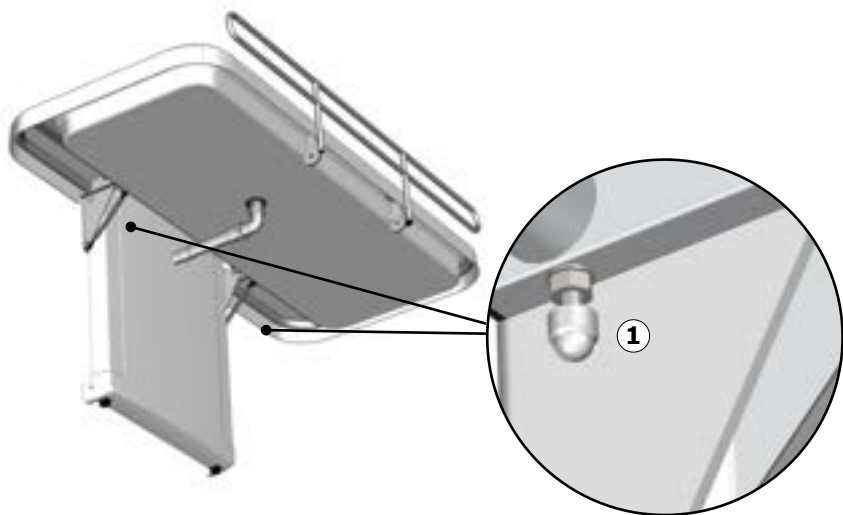


- Compruebe la fijación de montaje a la pared ② y asegúrela si es necesario.
- Lubrique las piezas móviles, sobre todo los soportes deslizables ③.
- Revise las conexiones eléctricas de la caja de control ④.
- Vuelva a colocar la cubierta y sujétela con los tornillos de fijación.
- Vuelva a conectar la electricidad.

es

Solución de problemas

| Síntoma | Causa | Acción |
|--|--|---|
| La camilla de ducha no se mantiene en posición vertical. | Los cilindros de gas no funcionan correctamente. | Póngase en contacto con Pressalit o su distribuidor local. |
| El producto no funciona a pesar de que el control remoto se utiliza correctamente. | Error del suministro de corriente. | Compruebe que todos los cables y enchufes estén en buen estado y conectados correctamente. Póngase en contacto con Pressalit o su distribuidor local. |
| El agua se queda estancada en el depósito de recogida de agua. | Los tornillos de ajuste están demasiado altos o bajos. | Ajuste los tornillos de ajuste ①. |
| La camilla de ducha sube y baja de forma irregular. | Los soportes deslizables no están bien lubricados. | Lubrique los soportes deslizables como se describe en el apartado "Mantenimiento". |



Póngase en contacto con Pressalit o su distribuidor si no logra solucionar el problema. No intente reparar el producto usted mismo, ya que anularía la garantía.

Compatibilidad electromagnética

El dispositivo es apto para uso doméstico, en centros de asistencia, en centros de día para personas con discapacidades físicas o mentales o en hospitales, excepto cerca de equipos quirúrgicos de alta frecuencia activos y salas blindadas de RF con sistemas médicos para imágenes de resonancia magnética con alta intensidad de perturbaciones electromagnéticas.

El dispositivo no dispone de ninguna función relacionada con la seguridad o el rendimiento básico. Aunque se produzca pérdida o deterioro del rendimiento provocados por perturbaciones electromagnéticas, el usuario puede igualmente subir y bajar del producto.


| Cable | Longitud |
|---------------------------------|----------------------|
| Cable de energía | 3,2 m |
| Cable espiral de control manual | Aprox. 5 m extendido |




ADVERTENCIA


- El uso de accesorios, transductores y cables distintos de los especificados o proporcionados por el fabricante podría provocar un aumento de las emisiones electromagnéticas o una disminución de la inmunidad electromagnética de este equipo y provocar un funcionamiento incorrecto.
- Los equipos de comunicación por RF portátiles (incluidos periféricos como cables de antena o antenas externas) no deben utilizarse a menos de 30 cm de cualquier parte de la unidad, incluidos los cables, para evitar cualquier tipo de degradación del rendimiento de la unidad.
- Debe evitarse el uso del equipo junto a otros equipos, o montado encima o debajo de otros equipos, puesto que podría dejar de funcionar correctamente. Si tal uso es necesario, este equipo y los demás equipos deben ser observados para verificar que funcionan con normalidad.

Inmunidad electromagnética


| Descarga electrostática | |
|---|--|
|  | El producto no debe verse afectado por descargas eléctricas entre la persona y el producto de tal manera que se inicien acciones o los componentes resulten defectuosos. |
| Normativa de prueba | Nivel de prueba de inmunidad |
| EN 61000-4-2 | +/- 8 kV por contacto +/- 2, 4, 8, 15 kV en el aire |

| Campo electromagnético de RF radiado | |
|---|--|
|  | El producto no debe verse afectado por la radiación de señales de RF como, por ejemplo, teléfonos móviles o radios, ya que este tipo de señales solo hacen que el producto se active o que los componentes resulten defectuosos. |
| Normativa de prueba | Nivel de prueba de inmunidad |
| EN 61000-4-3 | 15 V/m, de 80 Mhz a 1.000 MHz (solo en la parte delantera) 15 V/m, de 1,01 GHz a 3 GHz 80 % AM 1 kHz |

Inmunidad a campos de proximidad de equipos de comunicación inalámbrica por RF


| | |
|--|---|
|  | <p>El producto no debe verse afectado por la radiación de señales de RF como, por ejemplo, teléfonos móviles o radios, ya que este tipo de señales solo hacen que el producto se active o que los componentes resulten defectuosos.</p> |
| <p>Normativa de prueba EN 61000-4-3*</p> | <p>Nivel de prueba de inmunidad</p> |
| <p>385 MHz, 27 V/m, 18 Hz PM (onda cuadrada de ciclo de trabajo del 50 %) 450 MHz, 28 V/m, desviación FM +/- 5 kHz, onda sinusoidal de 1 kHz 710 MHz, 9 V/m, 217 Hz PM (onda cuadrada de ciclo de trabajo del 50 %) 745 MHz, 9 V/m, 217 Hz PM (onda cuadrada de ciclo de trabajo del 50 %) 780 MHz, 9 V/m, 217 Hz PM (onda cuadrada de ciclo de trabajo del 50 %) 810 MHz, 28 V/m, 18 Hz PM (onda cuadrada de ciclo de trabajo del 50 %) 870 MHz, 28 V/m, 18 Hz PM (onda cuadrada de ciclo de trabajo del 50 %) 930 MHz, 28 V/m, 18 Hz PM (onda cuadrada de ciclo de trabajo del 50 %) 1720 MHz, 28 V/m, 217 Hz PM (onda cuadrada de ciclo de trabajo del 50 %) 1845 MHz, 28 V/m, 217 Hz PM (onda cuadrada de ciclo de trabajo del 50 %) 1970 MHz, 28 V/m, 217 Hz PM (onda cuadrada de ciclo de trabajo del 50 %) 2450 MHz, 28 V/m, 217 Hz PM (onda cuadrada de ciclo de trabajo del 50 %) 5240 MHz, 9 V/m, 217 Hz PM (onda cuadrada de ciclo de trabajo del 50 %) 5500 MHz, 9 V/m, 217 Hz PM (onda cuadrada de ciclo de trabajo del 50 %) 5785 MHz, 9 V/m, 217 Hz PM (onda cuadrada de ciclo de trabajo del 50 %)</p> | |

Transitorios/Ráfagas eléctricos rápidos


| | |
|---|--|
|  | <p>El producto no debe verse afectado por señales de pulso rápidas del cable. Esto podría provocar que los componentes resulten defectuosos o que el producto inicie acciones.</p> |
| <p>Normativa de prueba</p> | <p>Nivel de prueba de inmunidad</p> |
| <p>EN 61000-4-4</p> | <p>+/- 1 kV, +/- 2 kV Frecuencia de repetición de 100 kHz</p> |

es

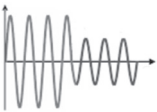
Inmunidad a sobretensiones

| | |
|---|---|
|  | El producto no debe verse afectado para iniciar acciones o provocar que los componentes resulten defectuosos como resultado de un rayo. |
| Normativa de prueba | Nivel de prueba de inmunidad |
| EN 61000-4-5 | Línea a línea: +/- 0,5 kV, +/- 1 kV Línea a tierra: +/- 0,5 kV, +/- 1 kV, +/- 2 kV |

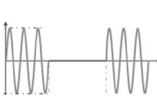
Inmunidad a alteraciones conducidas inducidas por campos de RF

| | |
|---|---|
|  | Los cables no deben verse afectados por otros campos de RF de manera que inicien acciones o provoquen que los componentes resulten defectuosos. |
| Normativa de prueba | Nivel de prueba de inmunidad |
| EN 61000-4-6 | 3 V (6 V en bandas ISM y bandas de radioaficionados) de 0,15 a 80 MHz, 80 % AM a 1 kHz |


Caídas de tensión


| | |
|---|---|
|  | El producto no debe iniciar ni limitar acciones como resultado de una caída del suministro de corriente. |
| Normativa de prueba | Nivel de prueba de inmunidad |
| EN 61000-4-11 | 0 % U_T ; 0,5 ciclos a 0°, 45°, 90°, 135°, 180°, 225°, 270° y 315°, 0 % U_T ; 1 ciclo a 0°, 70 % U_T ; 25 ciclos a 0° Monofásico a 0° |


Interrupciones de voltaje


| | |
|---|---|
|  | El producto no debe iniciar ni limitar acciones como resultado de una parada breve del suministro de corriente. |
| Normativa de prueba | Nivel de prueba de inmunidad |
| EN 61000-4-11 | 0 % U_T ; 300 ciclos |

Emisión electromagnética

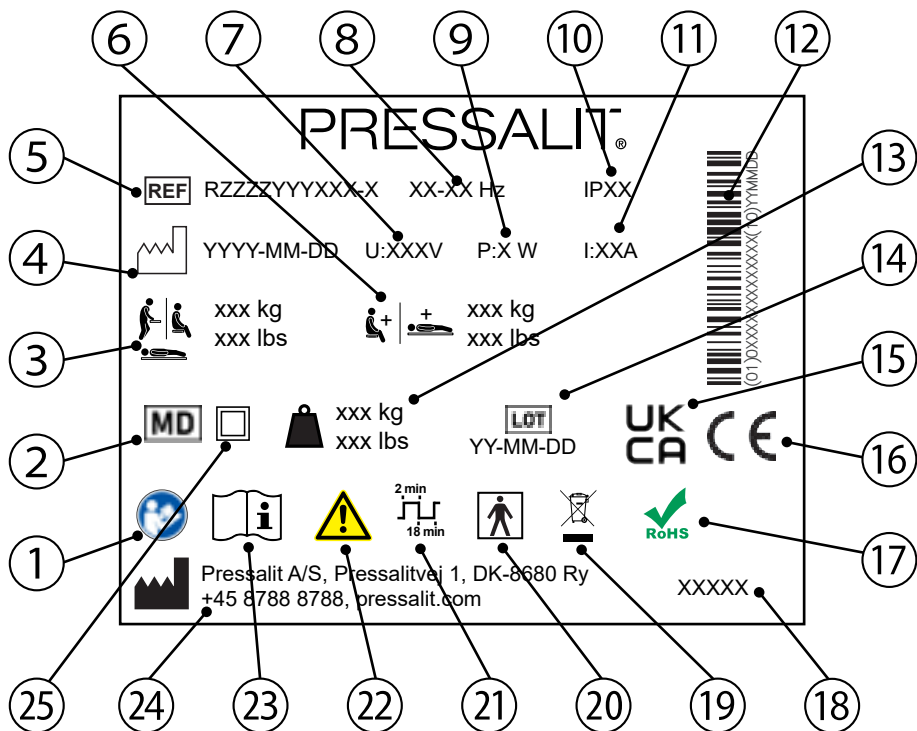
| Emisión de RF conducida | |
|---|--|
|  | El producto no debe enviar demasiado ruido a la red. Eso podría provocar la interrupción de otros productos. |
| Normativa de prueba | Clase y grupo de prueba de emisiones |
| EN 55011 | Clase B, grupo 1 |

| Emisión de RF radiada | |
|---|--|
|  | El producto no debe emitir señales de RF en la habitación. Esto podría provocar perturbaciones en otros productos. |
| Normativa de prueba | Clase y grupo de prueba de emisiones |
| EN 55011 | Clase B, grupo 1 |

| Emisiones de corrientes armónicas | |
|---|---|
|  | El producto no debe consumir energía de la red de forma involuntaria. |
| Normativa de prueba | Clase y grupo de prueba de emisiones |
| IEC 61000-3-2 | Clase A |

| Cambios de voltaje, fluctuaciones de voltaje y parpadeo | |
|---|--|
|  | El producto no debe afectar a otros productos cuando está conectado a la red. Por ejemplo, podría haber luces que comiencen a parpadear y, por lo tanto, molestar a las personas en la habitación. |
| Normativa de prueba | Clase y grupo de prueba de emisiones |
| EN 61000-3-3 | Probado según la normativa. |

Etiqueta del producto



1 Consulte el manual de uso.

2 Producto sanitario

3 Peso máximo del usuario

4 Fecha de fabricación

5 Número de artículo

6 Carga máxima

7 Voltaje

8 Frecuencia

9 Consumo máximo de energía

⑩ Clase IP

⑪ Corriente eléctrica

⑫ Código de barras GS1-128

⑬ Indicación de peso

⑭ Código de lote

⑮ Conformidad evaluada del Reino Unido

Estos productos cuentan con marcado CE de conformidad con los requisitos incluidos en:

- Reglamento (UE) 2017/745 (del 5 de abril de 2017) sobre productos sanitarios.

⑯ • Directiva 2006/42/CE del Consejo (del 17 de mayo de 2006) sobre maquinaria.

- Directiva 2011/65/CE del Consejo (del 8 de junio de 2011) sobre RoHS.

Puede encontrar la declaración de conformidad en pressalit.com

⑰ Este producto no contiene sustancias peligrosas mencionadas en la Directiva 2011/65/CE del Consejo sobre RoHS.

⑱ Nombre del producto (si hay)

No deseche el producto como residuo urbano no clasificado. El producto debería recogerse por separado y ser trasladado al centro de reciclaje designado.

⑳ Pieza aplicada de tipo BF. Parte del producto entra en contacto físico con el paciente durante su uso normal. El producto cumple los requisitos de la normativa IEC 60601-1 para garantizar la protección frente a descargas eléctricas.

㉑ Ciclo de trabajo

㉒ Consulte el manual para conocer la información de precaución importante como las advertencias y las precauciones.

㉓ Consulte el manual de uso.

㉔ Nombre y dirección del fabricante

㉕ Aparato eléctrico con aislamiento doble

Datos técnicos

| | |
|------------|--|
| Materiales | Acero inoxidable lacado en polvo Plásticos: PVC (estructura) Poliestireno (cubierta) |
| Clase IP | El producto tiene un valor de protección de ingreso IPX6. El producto no puede ser sumergido en agua, pero se ha diseñado para soportar fuertes chorros de agua (boquilla de 12,5 mm) desde cualquier dirección. |

Eliminación y reciclaje

La unidad contiene materiales reutilizables. No se conocen peligros o riesgos relacionados con la eliminación del producto. Todos los componentes pueden ser desechados una vez limpiados y desinfectados.

Para eliminar el producto, se recomienda desmontarlo y separar sus piezas en diferentes grupos de residuos para su reciclaje o combustión.

En la siguiente tabla encontrará información sobre el reciclaje y la gestión del producto.

| Componentes reciclables | Material |
|--------------------------------|---|
| Acero | El acero puede reciclarse mediante refundido e incluirse en un material secundario para la producción de acero nuevo. |
| Plásticos | Utilice los sistemas de clasificación y reciclaje disponibles localmente; si no los hubiera, la incineración de plástico tiene el beneficio añadido de generar energía, que puede utilizarse para la producción combinada de calor y energía. |
| Componentes electrónicos | Los componentes electrónicos deberían recogerse por separado y ser trasladados al centro de reciclaje designado. |

Spis treści

| | |
|---|-----|
| Instrukcja montażu | 176 |
| Oznakowanie operacyjne | 176 |
| Symbole używane w niniejszej instrukcji | 177 |
| Ogólne wskazówki bezpieczeństwa | 178 |
| Użytkowanie zgodne z przeznaczeniem. | 179 |
| Profil zamierzonego operatora. | 179 |
| Profil zamierzonego użytkownika. | 179 |
| Środowisko użytkowania. | 179 |
| Przeciwskazania do stosowania | 179 |
| Biozgodność | 179 |
| Instrukcja obsługi | 180 |
| Barierka bezpieczeństwa | 181 |
| Regulacja wysokości | 182 |
| Osłona z siatki/plótna | 183 |
| Zapinanie osłony na ramie. | 184 |
| Czyszczenie. | 185 |
| Dezynfekcja | 185 |
| Konserwacja | 186 |
| Przegląd konserwacyjny | 186 |
| Rozwiązywanie problemów | 188 |
| Kompatybilność elektromagnetyczna. | 189 |
| Odporność elektromagnetyczna | 190 |
| Emisja elektromagnetyczna. | 193 |
| Etykieta wyrobu | 194 |
| Dane techniczne | 196 |
| Utylizacja i recykling | 196 |

Instrukcja montażu



Instrukcję montażu dołączono do wyrobu. Można ją również pobrać ze strony pressalit.com.

Oznakowanie operacyjne



Oznakowanie operacyjne dołączono do wyrobu. Można je również pobrać ze strony pressalit.com.

Symbole używane w niniejszej instrukcji

W niniejszej instrukcji oraz w dokumentacji dostarczonej z wyrobem użyto następujących symboli.



OSTRZEŻENIE wskazuje na sytuację potencjalnie niebezpieczną, dopuszczenie do której może skutkować śmiercią lub poważnymi obrażeniami.



UWAGA wskazuje na sytuację potencjalnie niebezpieczną, dopuszczenie do której może skutkować niewielkimi lub umiarkowanymi obrażeniami. Powyższe może również służyć jako ostrzeżenie przed niebezpiecznymi praktykami.



WAŻNE wskazuje na istotną informację dotyczącą postępowania z wyrobem lub jego użytkowania.



INFORMACJA dotyczy praktyk niezwiązanych z bezpieczeństwem ludzi.

| | | | |
|-------------------------------------|-------------------------------------|--|--|
| | | | |
| Ostrzeżenie przed obrażeniami dłoni | Ostrzeżenie przed obrażeniami głowy | Ostrzeżenie przed elektrycznością/ napięciem | Nie wolno zostawiać pacjenta bez nadzoru |
| | | | |
| Parametry zasilania | Części zamienne | Nr artykułu / wersja | |
| | | | |
| Waga wyrobu | Maks. masa użytkownika | | |

Ogólne wskazówki bezpieczeństwa



OSTRZEŻENIE

- Przed użyciem wyrobu przeczytaj i zapoznaj się z instrukcją. Instrukcję przechowuj w pobliżu wyrobu.
- Przestrzegaj niniejszej instrukcji, aby uniknąć wypadków prowadzących do poważnych obrażeń.
- Nigdy nie używaj wyrobu do celów lub w sposób niezgodny z niniejszą instrukcją, ponieważ zagraża to Twojemu bezpieczeństwu i grozi uszkodzeniem wyrobu.
- Upewnij się, że wszystkie osoby montujące lub używające tego wyrobu i jego systemów posiadają niezbędne informacje oraz dostęp do niniejszej instrukcji.



UWAGA

- Przestrzegaj niniejszej instrukcji, aby uniknąć uszkodzenia lub zniszczenia wyrobu.
- Nie dokonuj samodzielnych napraw, demontażu lub montażu, rozbudowy, regulacji lub modyfikacji wyrobu. Czynności takie mogą być przeprowadzane wyłącznie przez firmę Pressalit lub upoważniony przez nią personel.
- Nigdy nie pozwalaj dzieciom obsługiwać tego wyrobu bez nadzoru. Ten wyrób nie jest zabawką.
- Nigdy nie używaj wadliwego lub uszkodzonego wyrobu. Nie używaj uszkodzonego wyrobu przed jego naprawą.

INFORMACJA

- Informacje zawarte w niniejszej instrukcji zakładają właściwe mocowanie wyrobu zgodnie z instrukcją montażu.
- Pressalit nie ponosi odpowiedzialności w sytuacji, gdy wyrób jest użytkowany w jakikolwiek sposób odbiegający od przedstawionego w niniejszej instrukcji.
- Zastrzegamy sobie prawo do zmian niniejszej instrukcji bez wcześniejszego powiadomienia.

Użytkowanie zgodne z przeznaczeniem

Ten wyrób jest przeznaczony do kąpienia osób, które nie potrafią stać ani siedzieć. Obsługiwana osoba leży na stole prysznicowym.

Profil zamierzonego operatora

Ten wyrób jest przeznaczony do użytku przez osoby przeszkolone w zakresie opieki zdrowotnej nad pacjentami i/lub ich mycia.

Profil zamierzonego użytkownika

Z wyrobu mogą korzystać wszystkie osoby (dorośli, dzieci oraz osoby młode i starsze), których waga nie przekracza 200 kg.

Środowisko użytkowania

Wyrób jest przeznaczony do użytkowania w wilgotnym otoczeniu, takim jak łazienka lub umywalnia. Wyrób jest przeznaczony do eksploatacji w temperaturze pokojowej w gospodarstwach domowych, domach opieki i szpitalach, w normalnych warunkach pracy.

Przeciwwskazania do stosowania

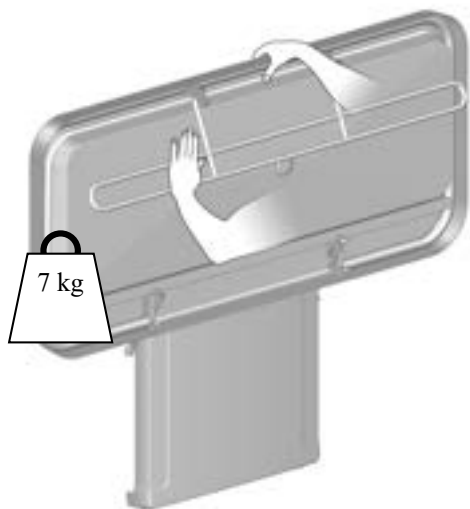
Nie zaleca się tego wyrobu dla pacjentów korzystających z pompy infuzyjnej lub insulinowej, pacjentów z chorobami zapalnymi skóry ani pacjentów z podwyższoną temperaturą ciała.

Pacjenci z niewydolnością serca, chorobami układu krążenia, obrażeniami czaszkowo-mózgowymi lub otwartymi ranami, a także pacjenci żywieni przez sondę lub z podłączonymi drenami bądź cewnikami mogą korzystać z wyrobu wyłącznie po konsultacji ze swoim lekarzem prowadzącym.

Biozgodność

Materiały mające kontakt ze skórą użytkownika podczas zamierzonego korzystania z wyrobu przebadano pod kątem zawartości substancji szkodliwych zgodnie z procedurami określonymi w normie PN-EN ISO 10993-1:2021 Biologiczna ocena wyrobów medycznych – Część 1 i na tej podstawie uznano za odpowiednie do tego celu.

Instrukcja obsługi



Podczas rozkładania podtrzymaj stół prysznicowy ręką lub ciałem, aby uniknąć ryzyka uszkodzenia.

Wbudowane siłowniki gazowe ułatwiają złożenie stołu prysznicowego na ścianę po zakończeniu pracy.



Zachowaj ostrożność w pobliżu mechanicznych części zamknięcia, aby uniknąć obrażeń rąk.



UWAGA

Zawsze należy zachowywać ostrożność podczas przenoszenia osoby na stół prysznicowy oraz ze stołu prysznicowego.



UWAGA

Powierzchnia produktu może się nagrzewać lub schładzać w przypadku wystawienia na działanie zewnętrznych źródeł ciepła lub zimna (np. światła słonecznego lub mrozu).

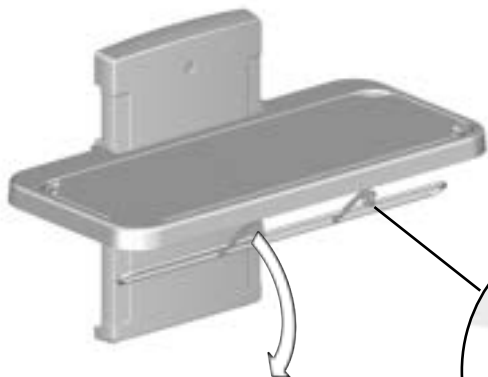
INFORMACJA

Każde poważne zdarzenie, które nastąpiło w związku z wyrobem, należy zgłosić producentowi i organom służby zdrowia.

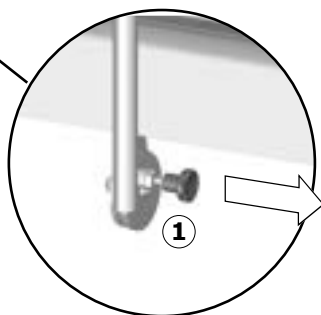
Barierka bezpieczeństwa



Rozkładanie barierki bezpieczeństwa: Wyciągnij barierkę do góry spod stołu prysznicowego. Barierka automatycznie zablokuje się w odpowiedniej pozycji.



Składanie barierki bezpieczeństwa: Zwolnij blokadę ① i wsuń barierkę pod stół.



UWAGA

Nigdy nie wolno układać obsługiwanej osoby na stole bez założonej osłony. Taca pod poduszkami służy jedynie do zbierania wody. Nie należy wykorzystywać jej jako wanny. Grozi to obrażeniami u użytkownika oraz uszkodzeniem wyrobu.

Regulacja wysokości



Jeśli stół prysznicowy jest zainstalowany na zalecanej wysokości, można go ustawić na wysokości od 480 do 880 mm nad podłogą.

Regulacją wysokości steruje się za pomocą pilota przewodowego.



Naciśnij i przytrzymaj przycisk ruchu w górę, by podnieść urządzenie.

Po zwolnieniu przycisku ruch zostanie zatrzymany.



Naciśnij i przytrzymaj przycisk ruchu w dół, by obniżyć urządzenie.

Po zwolnieniu przycisku ruch zostanie zatrzymany.



Aby uniknąć ryzyka uduszenia, upewnij się, że nieużywany pilot przewodowy znajduje się w uchwycie.



Aby uniknąć obrażeń rąk i głowy, zachowaj ostrożność w pobliżu ruchomych części.



UWAGA

Nigdy nie umieszczaj przedmiotów pod stołem prysznicowym.



Nie wolno zostawiać pacjenta bez nadzoru.

Osłona z siatki/płótna



Ramę z osłoną można zdejmować do czyszczenia.

Osłonę można odpiąć i wyprać w zwykłej pralce w temperaturze maksymalnie 70°C.

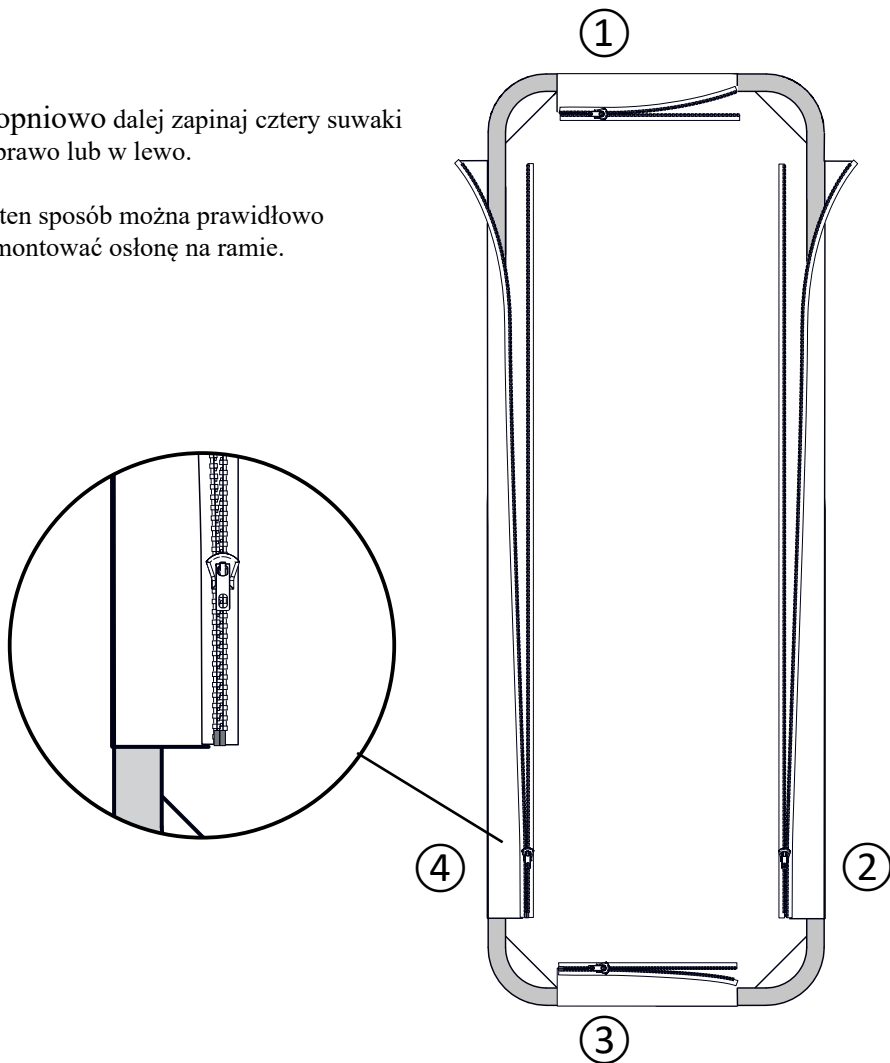
Osusz tacę do zbierania wody.

Zapinanie osłony na ramie

Po zdjęciu osłony w celu jej wyprania należy ją ponownie zapiąć na ramie. Najpierw zapij wszystkie suwaki na około 5 cm.

Stopniowo dalej zapijaj cztery suwaki w prawo lub w lewo.

W ten sposób można prawidłowo zamontować osłonę na ramie.



Czyszczenie

Wyrób należy czyścić gorącą wodą lub łagodnym środkiem czyszczącym na bazie mydła. Listę odpowiednich środków czyszczących przetestowanych przez Pressalit można znaleźć pressalit.com.



UWAGA

Zawsze należy najpierw zapoznać się z kartą charakterystyki materiału oraz instrukcjami dołączonymi do środka czyszczącego, dezynfekującego lub odkamieniającego oraz postępować zgodnie z instrukcjami bezpiecznego stosowania, rozcieńczania, spłukiwania, suszenia, obchodzenia się ze środkiem i jego przechowywania.

WAŻNE

- Nie wolno używać autoklawów lub innych rodzajów czyszczenia parowego.
- Należy unikać stosowania zbyt silnych środków czyszczących zawierających kwasy.
- Nie wolno bezpośrednio spryskiwać wyrobu środkiem czyszczącym pod ciśnieniem.
- Należy unikać stosowania ściernych, żrących lub wyprodukowanych na bazie chloru środków czyszczących i dezynfekujących.

Dezynfekcja

W przypadku stosowania stołu prysznicowego do obsługi kilku pacjentów, konieczne jest umycie i zdezynfekowanie go pomiędzy użyciami przez różnych pacjentów, aby nie dopuścić do ryzyka wystąpienia zakażenia krzyżowego. Wykaz odpowiednich środków dezynfekujących można znaleźć na stronie pressalit.com.

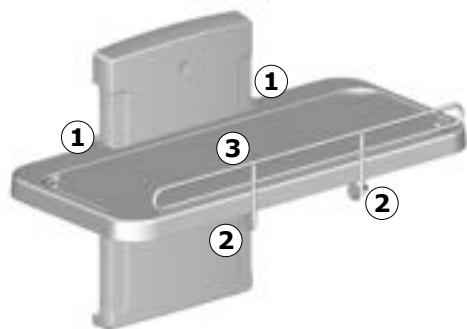
Konserwacja

Przewidywany okres eksploatacji stołu prysznicowego wynosi 10 lat pod warunkiem przeprowadzania konserwacji w opisany poniżej sposób:

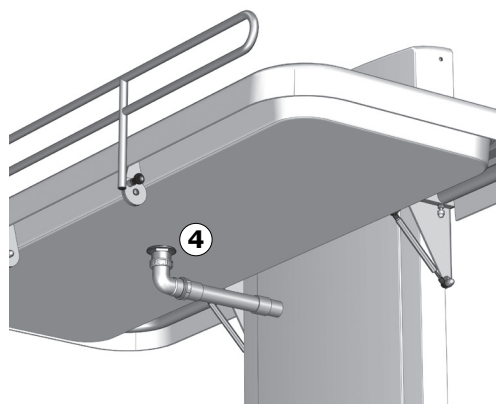
Zaleca się, aby co tydzień przesuwać stół w skrajne położenia, podnosząc go na pełną wysokość, a następnie opuszczając do najniższej pozycji, aby nasmarować części wewnętrzne.

Zaleca się przeprowadzanie przeglądu konserwacyjnego raz w roku.

Przegląd konserwacyjny



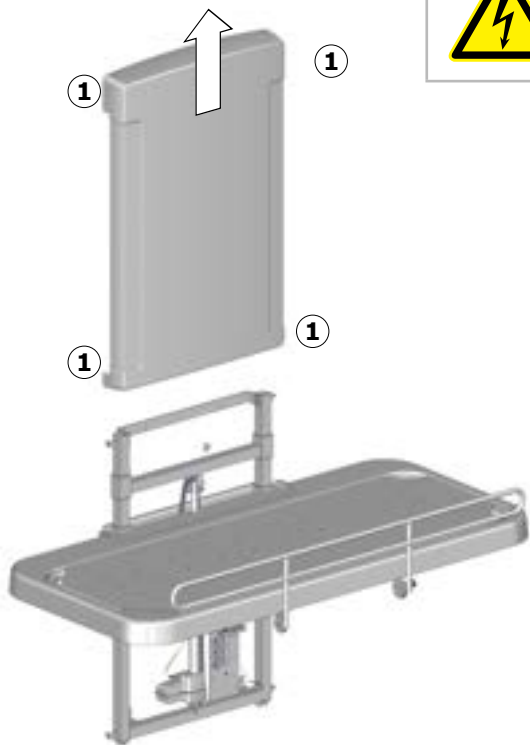
- Sprawdź zawiasy ① w stole i barierce bezpieczeństwa ②. W razie konieczności dokręć.
- Sprawdź osłonę ③ pod kątem uszkodzeń, a w razie potrzeby wymień ją.



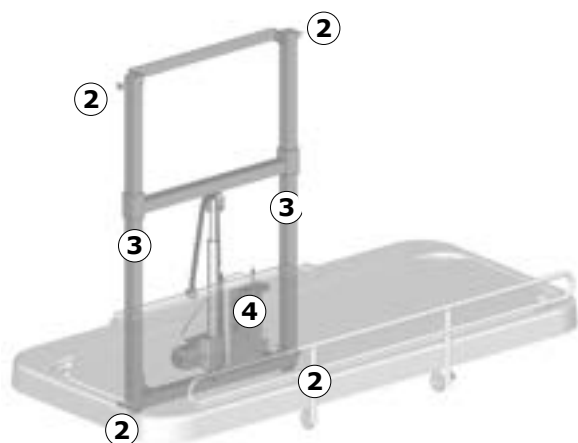
- Sprawdź przyłącza rury odpływowej ④, a także sprawdź i oczyść układ syfonowy (jeśli go zamontowano).



Przed zdjęciem pokryw należy odłączyć zasilanie sieciowe.



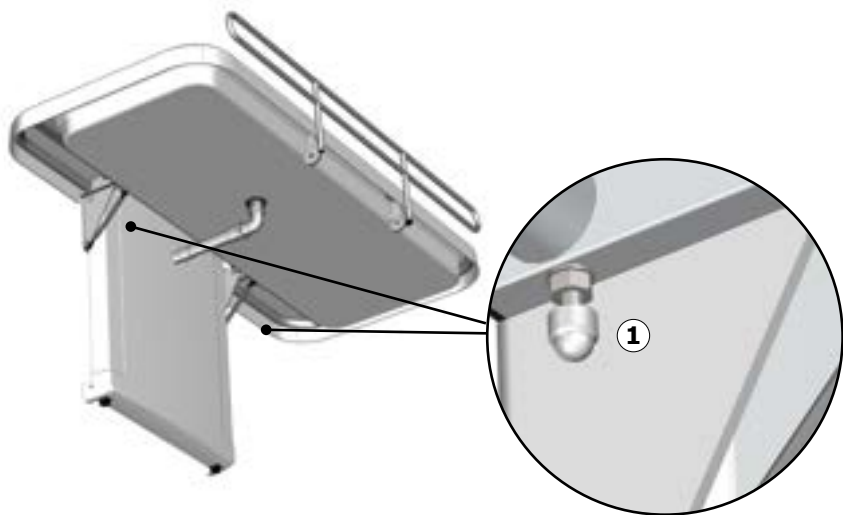
- Wykręć górne i dolne śruby ustalające ① na pokrywie i ostrożnie ją zdejmij.



- Sprawdź śruby montażowe ② i w razie konieczności dokręć.
- Nasmaruj ruchome części, w szczególności prowadnice ③.
- Sprawdź wszystkie połączenia elektryczne skrzynki sterowniczej ④.
- Załóż pokrywę i dokręć śruby ustalające.
- Podłącz zasilanie.

Rozwiązywanie problemów

| Objaw | Przyczyna | Działanie |
|---|--|---|
| Stół prysznicowy nie utrzymuje się w pozycji pionowej. | Siłowniki gazowe są wadliwe. | Skontaktuj się z firmą Pressalit lub lokalnym dystrybutorem. |
| Urządzenie nie działa, nawet jeśli pilot jest używany prawidłowo. | Wina zasilania. | Sprawdź, czy wszystkie przewody i wtyczki są nien uszkodzone i prawidłowo podłączone. Skontaktuj się z firmą Pressalit lub lokalnym dystrybutorem. |
| Woda nie odpływa z tacy do zbierania wody. | Śruby regulacyjne ustawione zbyt wysoko lub nisko. | Dopasuj położenie śrub regulacyjnych ①. |
| Stół nierównomiernie przesuwają się w górę i w dół. | Prowadnice nie są odpowiednio nasmarowane. | Nasmaruj prowadnice zgodnie z opisem z sekcji "Konserwacja". |



Jeśli problemu nie można rozwiązać, należy skontaktować się z firmą Pressalit lub swoim dystrybutorem. Nie próbuj naprawiać urządzenia samodzielnie, ponieważ spowoduje to unieważnienie gwarancji.

Kompatybilność elektromagnetyczna

To urządzenie jest odpowiednie do użytku w domach, ośrodkach opieki dziennej, ośrodkach dziennego pobytu dla osób z niepełnosprawnością fizyczną bądź intelektualną oraz szpitalach. Urządzenia nie należy używać w pobliżu czynnych urządzeń elektrochirurgicznych wysokiej częstotliwości (HF) ani pomieszczeń wyposażonych w ekranowanie promieniowania o częstotliwości radiowej (RF), w których znajdują się medyczne systemy rezonansu magnetycznego o wysokim natężeniu zaburzeń elektromagnetycznych.

Urządzenie nie posiada funkcji powiązanej z bezpieczeństwem podstawowym ani funkcjonowaniem zasadniczym. W razie braku lub pogorszenia działania z powodu zaburzeń elektromagnetycznych użytkownik może nadal kłaść się na wyrobie i schodzić.


| Kabel | Długość |
|-----------------------|----------------------------|
| Przewód zasilania | 3,2 m |
| Kabel skręcany pilota | Okolo 5 m po rozciągnięciu |





OSTRZEŻENIE

- Stosowanie akcesoriów, przetworników oraz kabli innych niż określone lub dostarczone przez producenta może prowadzić do zwiększenia emisji elektromagnetycznych lub zmniejszenia odporności elektromagnetycznej sprzętu i spowodować nieprawidłowe działanie.
- Przenośny sprzęt do komunikacji radiowej (w tym urządzenia peryferyjne takie jak kable antenowe i anteny zewnętrzne) powinien być używany w odległości co najmniej 30 cm od dowolnej części urządzenia, w tym jego kabli, aby zapobiec pogorszeniu jego działania.
- Należy unikać używania tego urządzenia w pobliżu innego sprzętu bądź ustawionego na innym sprzęcie, gdyż może to spowodować nieprawidłowe działanie. Jeśli jednak konieczne jest używanie urządzenia w takiej konfiguracji, należy obserwować urządzenie i pozostały sprzęt, aby upewnić się, że działają prawidłowo.



Odporność elektromagnetyczna

| Wyladowania elektrostatyczne | |
|---|--|
|  | Wyładowania elektryczne między ciałem człowieka a tym wyrobem nie mogą wpływać na wyrób poprzez inicjowanie jego działania ani powodowanie wad jego komponentów. |
| Norma testowa | Poziom testowy odporności |
| EN 61000-4-2 | +/- 8 kV kontakt +/- 2, 4, 8, 15 kV powietrze |


| Wypromieniowane pole elektromagnetyczne o częstotliwości radiowej | |
|---|---|
|  | Wypromieniowane sygnały o częstotliwości radiowej nie mogą wpływać na wyrób. Są to przykładowo sygnały emitowane np. przez telefon komórkowy lub odbiornik radiowy. Mogą one jedynie działać na wyrób bądź powodować wady jego komponentów. |
| Norma testowa | Poziom testowy odporności |
| EN 61000-4-3 | 15 V/m 80 MHz do 1000 MHz (tylko z przodu) 15 V/m 1,01 GHz do 3 GHz 80% AM 1 kHz |

| Odporność na pobliskie pola emitowane przez bezprzewodowy sprzęt do komunikacji radiowej | |
|--|---|
|  | Wypromieniowane sygnały o częstotliwości radiowej nie mogą wpływać na wyrób. Są to przykładowo sygnały emitowane np. przez telefon komórkowy lub odbiornik radiowy. Mogą one jedynie działać na wyrób bądź powodować wady jego komponentów. |
| Norma testowa | Poziom testowy odporności |
| | |

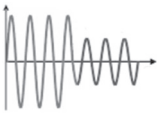
| | |
|---------------|---|
| EN 61000-4-3* | <p>385 MHz, 27 V/m, PM 18 Hz (cykl pracy 50%, fala prostokątna)</p> <p>450 MHz, 28 V/m, odchylenie FM +/- 5 kHz, sinus 1 kHz</p> <p>710 MHz, 9 V/m, PM 217 Hz (cykl pracy 50%, fala prostokątna)</p> <p>745 MHz, 9 V/m, PM 217 Hz (cykl pracy 50%, fala prostokątna)</p> <p>780 MHz, 9 V/m, PM 217 Hz (cykl pracy 50%, fala prostokątna)</p> <p>810 MHz, 28 V/m, PM 18 Hz (cykl pracy 50%, fala prostokątna)</p> <p>870 MHz, 28 V/m, PM 18 Hz (cykl pracy 50%, fala prostokątna)</p> <p>930 MHz, 28 V/m, PM 18 Hz (cykl pracy 50%, fala prostokątna)</p> <p>1720 MHz, 28 V/m, PM 217 Hz (cykl pracy 50%, fala prostokątna)</p> <p>1845 MHz, 28 V/m, PM 217 Hz (cykl pracy 50%, fala prostokątna)</p> <p>1970 MHz, 28 V/m, PM 217 Hz (cykl pracy 50%, fala prostokątna)</p> <p>2450 MHz, 28 V/m, PM 217 Hz (cykl pracy 50%, fala prostokątna)</p> <p>5240 MHz, 9 V/m, PM 217 Hz (cykl pracy 50%, fala prostokątna)</p> <p>5500 MHz, 9 V/m, PM 217 Hz (cykl pracy 50%, fala prostokątna)</p> <p>5785 MHz, 9 V/m, PM 217 Hz (cykl pracy 50%, fala prostokątna)</p> |
|---------------|---|

| | |
|---|---|
| Szybkozmienne zakłócenia przejściowe | |
|  | Szybkie sygnały impulsowe wprowadzane do przewodu zasilającego nie mogą wpływać na wyrób. Może to spowodować wady komponentów lub zainicjować działanie wyrobu. |
| Norma testowa | Poziom testowy odporności |
| EN 61000-4-4 | +/- 1 kV, +/- 2 kV Częstotliwość powtarzania 100 kHz |
| Odporność na udary (surge) | |
|  | Wyładowania atmosferyczne nie mogą wpływać na wyrób poprzez inicjowanie jego działania ani powodowanie wad jego komponentów. |
| Norma testowa | Poziom testowy odporności |
| EN 61000-4-5 | Międzyfazowy: +/- 0,5 kV, +/- 1 kV Doziemny: +/- 0,5 kV, +/- 1 kV, +/- 2 kV |


Odporność na zaburzenia przewodzone indukowane przez pola o częstotliwości radiowej

| | |
|---|---|
|  | Inne pola o częstotliwości radiowej nie mogą wpływać na przewody poprzez inicjowanie działania ani powodowanie wad komponentów. |
| Norma testowa | Poziom testowy odporności |
| EN 61000-4-6 | 3 V (6 V w pasmach ISM i amatorskich pasmach radiowych) 0,15 do 80 MHz, 80% AM przy 1 kHz |


Zapad napięcia


| | |
|---|---|
|  | Nagłe obniżenie napięcia zasilającego nie może inicjować ani ograniczać działania wyrobu. |
| Norma testowa | Poziom testowy odporności |
| EN 61000-4-11 | 0% U_T ; 0,5 okresu przy 0°, 45°, 90°, 135°, 180°, 225°, 270° i 315°, 0% U_T ; 1 okres przy 0°, 70% U_T ; 25 okresów przy 0° Jednofazowy przy 0° |


Przerwy w zasilaniu


| | |
|--|---|
|  | Krótką przerwa w dostawie napięcia zasilającego nie może inicjować ani ograniczać działania wyrobu. |
| Norma testowa | Poziom testowy odporności |
| EN 61000-4-11 | 0% U_T ; 300 okresów |

Emisja elektromagnetyczna

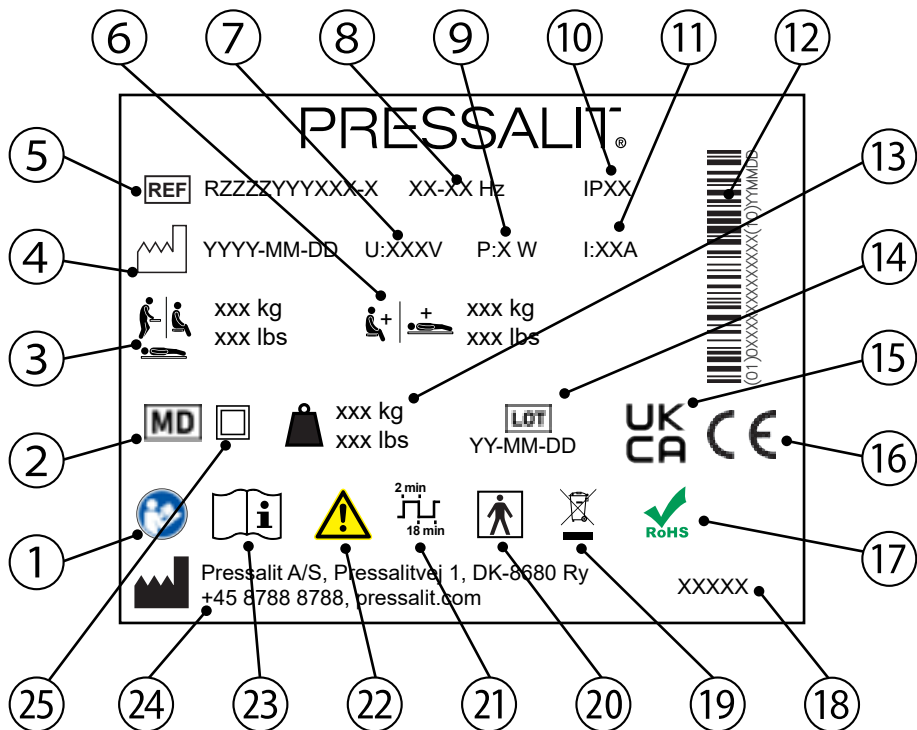
| Emisja zaburzeń radioelektrycznych wprowadzanych do przewodów | |
|---|---|
|  | Wyrób nie może wprowadzać do sieci nadmiaru szumu. Mogłoby to zaburzać pracę innych urządzeń. |
| Norma testowa | Klasa i grupa testowa emisji |
| EN 55011 | Klasa B, grupa 1 |

| Emisja pola elektromagnetycznego o częstotliwości radiowej | |
|---|--|
|  | Wyrób nie może wytwarzać szumu w odpowiedzi na sygnały w pomieszczeniu. Mogłoby to zaburzać pracę innych urządzeń. |
| Norma testowa | Klasa i grupa testowa emisji |
| EN 55011 | Klasa B, grupa 1 |

| Emisje harmoniczne prądu | |
|---|---|
|  | Wyrób nie może w sposób niezamierzony pobierać zasilania z sieci. |
| Norma testowa | Klasa i grupa testowa emisji |
| IEC 61000-3-2 | Klasa A |

| Zmiany napięcia, wahania napięcia i migotanie | |
|---|--|
|  | Wyrób nie może wpływać na inne urządzenia, gdy jest podłączony do sieci. Mogłoby to np. spowodować migotanie oświetlenia, niepokojąc osoby obecne w pomieszczeniu. |
| Norma testowa | Klasa i grupa testowa emisji |
| EN 61000-3-3 | Zbadano zgodnie z normą. |

Etykieta wyrobu



1 Zapoznaj się z instrukcją obsługi

2 Urządzenie medyczne

3 Maksymalna masa użytkownika

4 Data produkcji

5 Numer artykułu

6 Maksymalne obciążenie

7 Napięcie sieciowe

8 Częstotliwość

9 Maksymalny pobór mocy

⑩ Klasa IP

⑪ Prąd elektryczny

⑫ Kod kreskowy GS1-128

⑬ Waga wyrobu

⑭ Kod partii

⑮ Zgodność z przepisami obowiązującymi w Wielkiej Brytanii

Te produkty są opatrzone znakiem CE zgodnie z odnośnymi wymaganiami w następujących dokumentach:

- Rozporządzenie (UE) 2017/745 (5 kwietnia 2017) o wyrobach medycznych.

⑯

- Dyrektywa maszynowa 2006/42/WE (17 maja 2006).

- Dyrektywa maszynowa RoHS 2011/65/WE (8 czerwca 2011).

Deklarację zgodności można znaleźć na stronie pressalit.com.

⑰

Ten produkt nie zawiera żadnych substancji niebezpiecznych wymienionych w dyrektywie Rady 2011/65/WE w sprawie ograniczenia stosowania niektórych niebezpiecznych substancji w sprzęcie elektrycznym i elektronicznym.

⑱

Nazwa produktu (jeśli ją posiada)

⑲

Nie wyrzucać do zmieszanych odpadów komunalnych. Produkt należy zebrać osobno i oddać do odpowiedniego punktu recyklingu.

⑳

Część typu BF. Podczas normalnego użytkowania część produktu musi mieć fizyczny kontakt z pacjentem, aby spełnić swoją funkcję. Produkt spełnia wymagania normy IEC 60601-1 w zakresie ochrony przed porażeniem prądem elektrycznym

㉑

Cykl pracy

㉒

Zapoznaj się z instrukcją obsługi, aby zapamiętać ważne informacje dotyczące bezpieczeństwa i środków ostrożności

㉓

Zapoznaj się z instrukcją obsługi

㉔

Nazwa i adres producenta

㉕

Urządzenie elektryczne z podwójną izolacją

Dane techniczne

| | |
|-----------|---|
| Materiały | Stal nierdzewna lakierowana proszkowo Tworzywa sztuczne: PCW (płótno) Polistyren (osłona) |
| Klasa IP | Stopień ochrony IP wyrobu wynosi IPX6. Wyrobu nie wolno zanurzać w wodzie, ale jest zaprojektowany tak, aby wytrzymać silne strumienie wody (dysza 12,5 mm) z dowolnego kierunku. |

Utylizacja i recykling

Wyrób zawiera materiały, które można poddawać recyklingowi. Nie istnieją znane zagrożenia lub ryzyka związane z usuwaniem wyrobu. Wszystkie komponenty można utylizować po ich uprzednim wyczyszczeniu i zdezynfekowaniu.

W przypadku usuwania wyrobu zalecamy rozmontowanie go i podzielenie odpadów na grupy do recyklingu lub spalania.

Poniższa tabela zawiera informacje dotyczące recyklingu i postępowania z wyrobem.

| Komponenty, które można poddać recyklingowi | Material |
|--|--|
| Stal | Stal może zostać poddana recyklingowi poprzez ponowne przetopienie i włączenie jej jako materiału wtórnego do produkcji nowej stali. |
| Tworzywa sztuczne | Należy stosować systemy sortowania i recyklingu tworzyw sztucznych tam, gdzie jest to lokalnie możliwe, w innym przypadku spalanie tworzyw sztucznych niesie dodatkową korzyść w postaci energii, którą można wykorzystać na przykład do skojarzonego wytwarzania energii elektrycznej i ciepła. |
| Elektronika | Elementy elektroniczne należy zbierać osobno i oddawać do wyznaczonego punktu recyklingu. |

目录

| | |
|------------------|-----|
| 安装说明..... | 197 |
| 操作详解图..... | 197 |
| 本手册使用的标志..... | 198 |
| 一般安全要求..... | 199 |
| 用途..... | 200 |
| 操作员说明..... | 200 |
| 使用者说明..... | 200 |
| 工作环境..... | 200 |
| 禁忌症..... | 200 |
| 生物相容性..... | 200 |
| 操作说明..... | 201 |
| 安全护栏..... | 202 |
| 高度调整..... | 203 |
| 网盖/帆布床罩..... | 204 |
| 拉上床罩与框架间的拉链..... | 205 |
| 清洁..... | 206 |
| 消毒..... | 206 |
| 维护..... | 207 |
| 维护检查..... | 207 |
| 故障排解..... | 209 |
| 电磁兼容性..... | 210 |
| 电磁抗扰性..... | 211 |
| 电磁辐射..... | 214 |
| 产品标签..... | 215 |
| 技术参数..... | 217 |
| 处理与回收..... | 217 |

安装说明



本产品随附安装说明。也可从 pressalit.com 下载。



操作详解图



本产品随附操作详解图。也可从 pressalit.com 下载。

本手册使用的标志

本手册和本产品随附的相关文件使用以下标志。

| | |
|---|--|
|  警告 | <p>警告提醒使用者注意潜在危险状况，如果未能避开这种状况，可能导致人员死亡或严重伤害。</p> |
|  小心 | <p>小心提醒使用者注意潜在危险状况，如果未能避开这种状况，可能导致轻度或中度伤害。该标志也可用于提醒不安全行为。</p> |
| 重要信息 | <p>重要信息提醒使用者注意操作和使用本产品的重要信息。</p> |
| 注意 | <p>注意用于提醒与人身安全无关的行为。</p> |

| | | | |
|---|--|--|--|
|  <p>手部受伤警告</p> |  <p>头部受伤警告</p> |  <p>电流/电压警告</p> |  <p>患者一定要有人陪同</p> |
|  <p>电源规格</p> |  <p>备用件</p> |  <p>货号/版本</p> | |
|  <p>产品重量</p> |  <p>最大使用者体重</p> | | |

一般安全要求

警告

- 使用前，请通读并理解本手册。将手册存放在设备附近。
- 按照本手册操作，避免发生造成严重人身伤害的意外。
- 使用或操作本产品时，切勿采用本手册并未介绍的其他方式，因为这会危及您的安全并损坏产品。
- 确保安装或使用本产品及其系统的人员均掌握必要信息并可查阅本手册。

小心

- 请遵守相关说明，避免产品受损或损毁。
- 切勿维修、拆卸或组装、扩展、重新调整或改装本产品。这些操作必须由 Pressalit 或 Pressalit 授权的人士执行。
- 若无人看管，请不要让儿童操作本产品。本产品不适用于娱乐游戏。
- 产品如有缺陷或损坏，切勿使用。缺陷产品待修理后方可使用。

注意

- 本手册资料以按照组装说明正确安装本产品为基础。
- 如果以指南所述以外的方法使用本产品，Pressalit 概不负责。
- 我们保留修订本手册的权利，恕不另行通知。

用途

本产品用于为无法站立或坐下的人士洗澡时使用。使用者可平躺在洗澡床上。

操作员说明

本产品由接受过健康护理培训，并/或经过训练可为他人进行洗澡护理的人员操作。

使用者说明

本产品可供体重不超过**最大荷载 200 公斤**的所有人群使用，包括成人、儿童、年青人、老人。

工作环境

在室内潮湿环境中使用，如浴室或盥洗室。本产品在室温下使用，可在私人住所、疗养院和医院中在正常工作条件下运行。

禁忌症

不建议携带输注装置或胰岛素泵的患者、患有炎症性皮肤病的患者或伴有发烧症状的患者使用此装置。

患有心功能不全、心血管疾病、颅脑损伤的患者或者带有开放性伤口、喂食或引流管（如导尿管、引流管）的患者只有在与主治医生协商后才能使用装置。

生物相容性

对于可能在使用过程中与用户皮肤发生接触的材料，我们已根据 ISO 10993-1:2020 医疗器械生物学评价-第一部分测试其有害物质含量，并认定其适用于此目的。

操作说明



向下展开洗澡床时应用手或身体支撑换洗台，以免损坏。

通过内淋浴置汽缸，可以轻松地在使用后靠墙折叠洗澡床。



小心不要将手放在闭合机械部件附近以免受伤。

小心

帮使用者上下洗澡床时，务必小心谨慎。

小心

如果产品暴露的外部环境过热或者过冷（例如阳光或者霜冻下），产品表面可能会变得灼热/或冰冷。

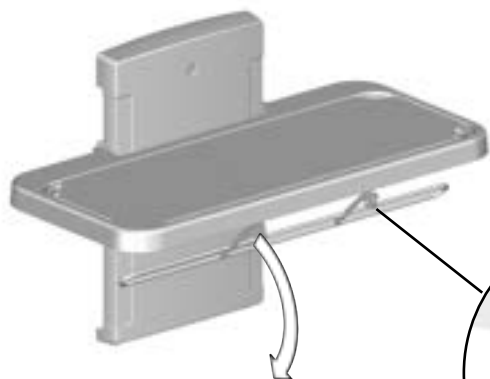
注意

任何与本产品有关的严重事故都应报告给制造商和卫生主管部门。

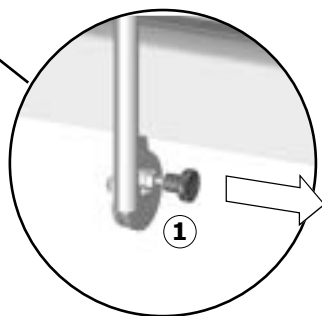
安全护栏



要拉起安全护栏：将洗澡床床下的护栏放下。安全护栏将自动锁定到位。



收起安全护栏：松开锁扣①，然后将安全护栏摇到换洗台的下方。



小心

请勿让人躺在未放置床罩的洗澡床上。靠垫下的托盘只用于接水。不可作为浴缸使用。存在伤害使用者和使产品受损的危险。

高度调整



如果按照建议高度安装换洗台，则可以在距地面480至880毫米的高度区间调整换洗台高度。

高度调整由有线遥控装置控制。



按住向上按钮可升高装置。
在松开按钮时停止移动。



按住向下按钮可降低装置。
在松开按钮时停止移动。



为避免被线缆勒住，有线遥控装置在不使用时务必放置于支架中。



注意不要将双手和头部放在活动机械部件附近，以免受伤。



小心

切勿在洗澡床下放置任何物品。



患者一定要有人陪同。

网盖/帆布床罩



边框与床罩 均可拆下进行清洁。

床罩可以拉开，并在洗衣机中使用不超过 70°C 的温水定期清洗。

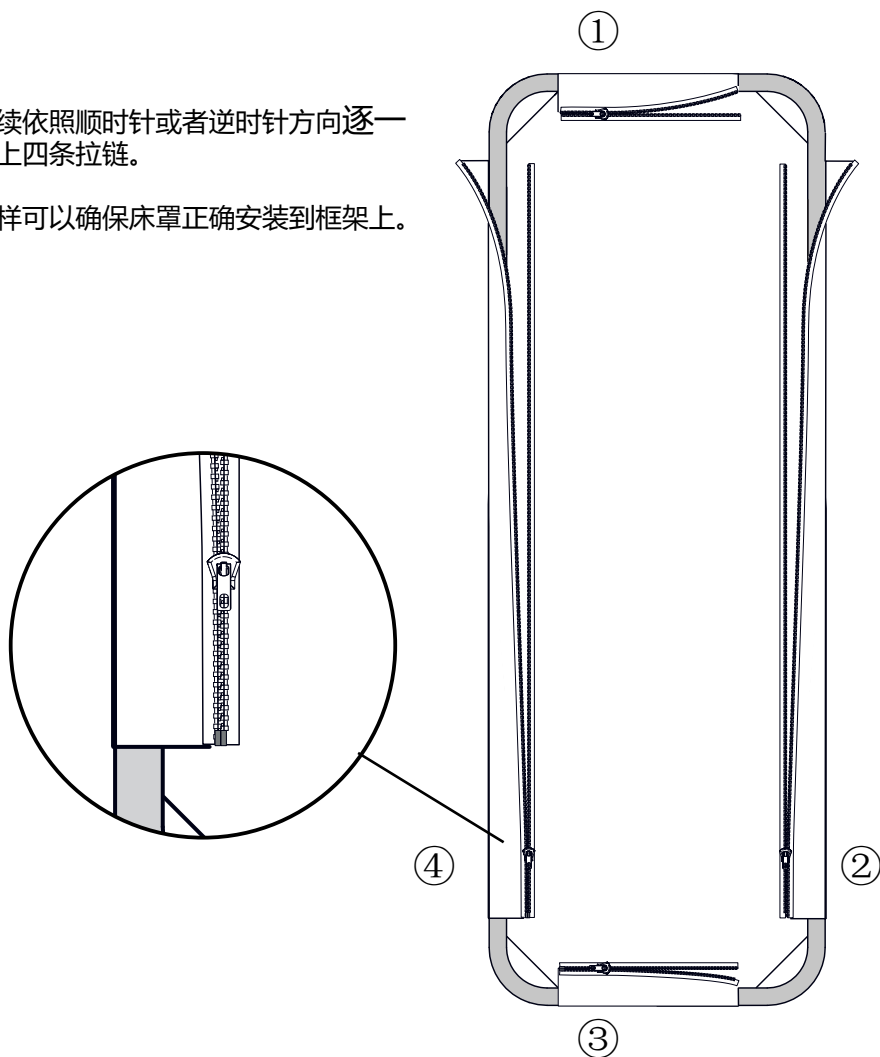
晾干积水盘。

拉上床罩与框架间的拉链

取下床罩进行清洁后，需将其再次装回框架。
将所有拉链拉上约 5 厘米。

继续依照顺时针或者逆时针方向逐一
拉上四条拉链。

这样可以确保床罩正确安装到框架上。



清洁

应使用热水或温和的肥皂清洁剂来清洁本产品。
可在 pressalit.com 网站查看经 Pressalit 测试的相关清洁剂列表。



务必阅读材料安全数据表 (MSDS) 和随附的清洁、消毒或除垢剂说明，并按照说明安全使用、稀释、冲洗、干燥、处理和储存溶剂。

重要信息

- 切勿使用高压灭菌器或其他类型的蒸汽清洁器。
- 避免使用含酸的强力清洁剂。
- 切勿使用高压清洁器直接喷洗本产品。
- 避免使用磨蚀性、腐蚀性或氯化物型的清洁或消毒产品。

消毒

多名患者共用洗澡床时，需要在下一患者使用前清洁并消毒洗澡床，避免交叉感染的风险。适用的消毒剂列表，请访问 pressalitcare.com。

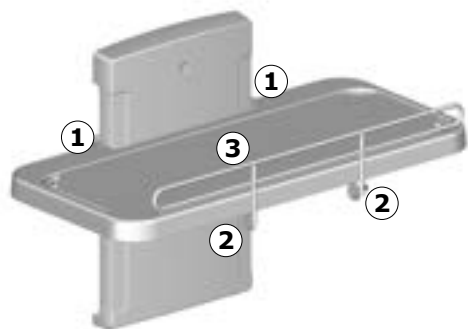
维护

若按下述说明进行维护，洗澡床的预计使用年限为 10 年：

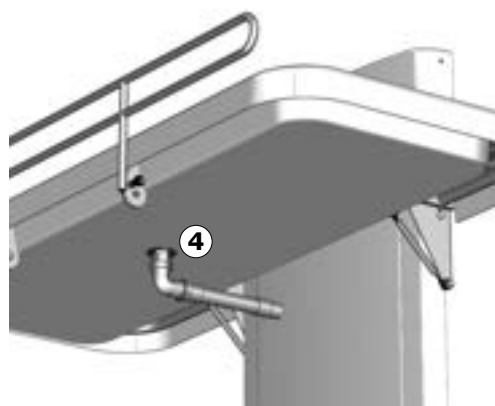
建议每周执行一次：将换洗沐浴台升至最高点再降至最低点，使产品电动机运行至最大行程，以此润滑内部部件。

建议一年进行一次维护检查。

维护检查



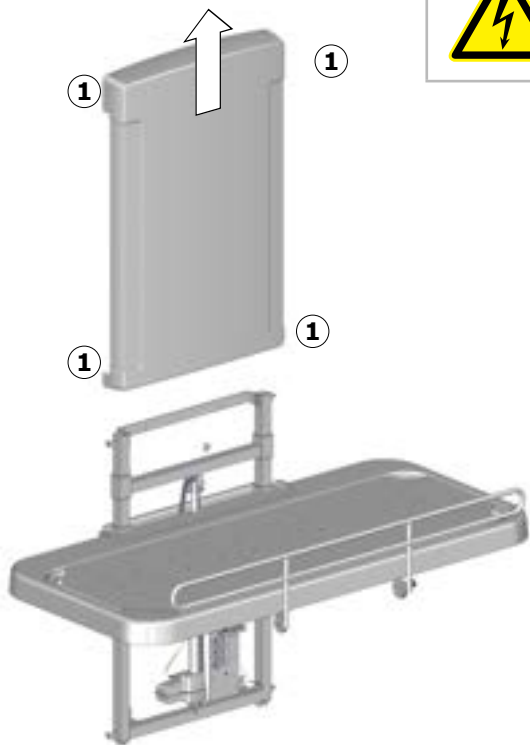
- 检查沐浴洗澡床上的铰链 ① 和安全护栏 ②。按需要拧紧。
- 检查床罩 ③ 是否受损，并在必要时更换。



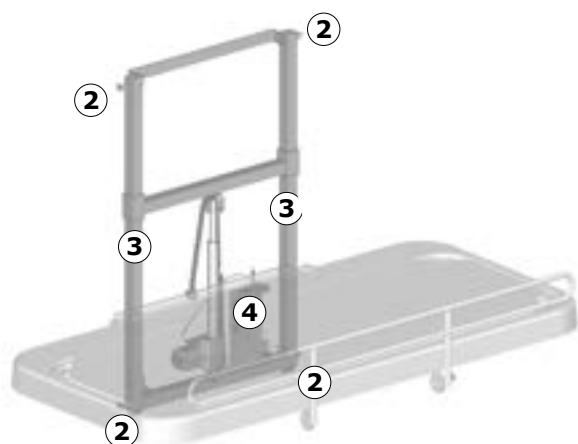
- 检查排放管连接 ④，然后检查并清洁存水弯（若已安装）。



在取下盖子之前，断开总电源。



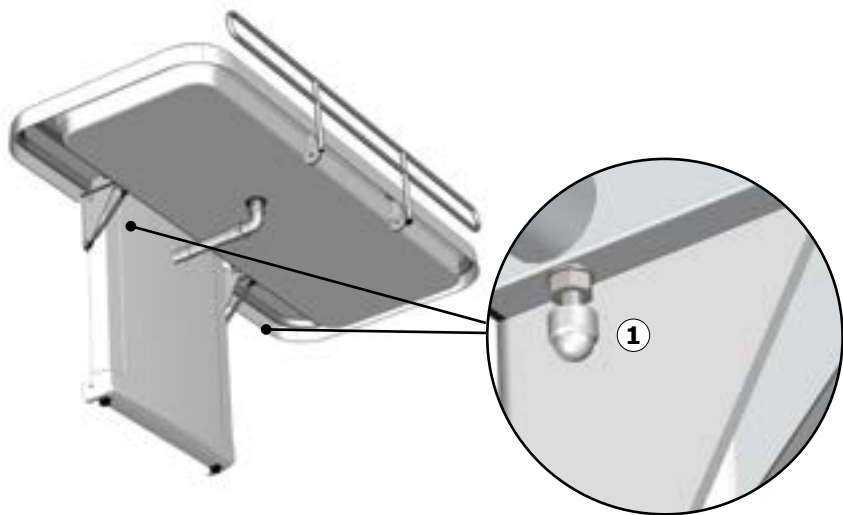
- 拆除升降装置外壳的上下固定螺丝①，然后小心取下外壳。



- 检查墙轨②，并视情况拧紧。
- 润滑移动部件，特别是滑轨③。
- 检查控制箱④的所有电气连接。
- 重新装上装置外壳，然后拧紧固定螺丝。
- 接通总电源。

故障排解

| | | |
|-------------------|------------|---|
| | | |
| 洗澡床无法保持在垂直位置。 | 汽缸损坏。 | 联系 Pressalit 或当地经销商。 |
| 即使正确使用遥控，产品仍无法运作。 | 电源出现故障。 | 检查所有电线和插座是否完好无损且正确连接。 联系 Pressalit 或当地经销商。 |
| 水无法从接水盘排出。 | 调节螺丝过高或过低。 | 调整调节螺丝 ①。 |
| 洗澡床升降运动不稳。 | 滑轨润滑不足。 | 润滑滑轨相关内容请依照“维护”。 |



如果仍无法解决问题，联系 Pressalit 或您的经销商。切勿尝试自行维修产品，因为这会导致保修失效。

电磁兼容性

本产品适用于家庭、日托中心、护理身体或精神残疾的机构或医院，但不可靠近高频外科手术设备及配有高强度电磁干扰的磁共振成像的医疗系统的射频屏蔽室。


该设备不具有任何与基本安全或基本性能相关的功能。如果由于电磁干扰而导致性能损失或下降，用户仍可以开关此产品。

| 缆线 | 长度 |
|--------|---------|
| 电源线 | 3.2米 |
| 手控螺旋电缆 | 可延长约至5米 |


警告

- 使用非制造商指定或提供的附件、换能器和电缆可能会导致此设备的电磁辐射增加或电磁抗扰度降低，并导致功能不正常。
- 使用便携式射频通信设备（包括天线电缆和外置天线等外部设备）时，距该设备的任何部分（包括其电缆）不得超过30厘米，以避免本设备的性能下降。
- 不应将本设备与其他设备相邻使用或与其他设备叠放使用，因为这可能导致操作不当。如果必须进行此类使用，则应观察该设备和其他设备以查看它们是否正常运行。

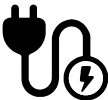

电磁抗扰性

| 静电放电 | |
|---|--------------------------------------|
|  | 产品不得因人与产品之间的放电而受到影响，例如启动操作或认为组件出现故障。 |
| 测试标准 | 抗扰试验电平 |
| EN 61000-4-2 | +/- 8 kV 触点 +/- 2, 4, 8, 15 kV 空气 |


| 辐射射频电磁场 | |
|---|---|
|  | 产品不得受到辐射射频信号的影响。例如来自手机或无线电的信号，这会导致产品采取措施或使组件出现错误。 |
| 测试标准 | 抗扰试验电平 |
| EN 61000-4-3 | 15 V/m 80 MHz 至 1000 MHz (只限前部) 15 V/m 1,01 GHz 至 3 GHz 80 % AM 1 kHz |

| 对来自射频无线通信设备的邻近场的抗扰度 | |
|---|---|
|  | 产品不得受到辐射射频信号的影响。例如来自手机或无线电的信号，这会导致产品采取措施或使组件出现错误。 |
| 测试标准 | 抗扰试验电平 |

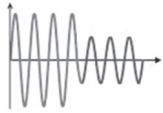
| | |
|---------------|---|
| EN 61000-4-3* | 385 MHz, 27 V/m, 18 Hz PM (50 % 占空比方波) 450 MHz, 28 V/m, FM +/- 5 kHz 偏差, 1 kHz 正弦 710 MHz, 9 V/m, 217 Hz PM (50 % 占空比方波) 745 MHz, 9 V/m, 217 Hz PM (50 % 占空比方波) 780 MHz, 9 V/m, 217 Hz PM (50 % 占空比方波) 810 MHz, 28 V/m, 18 Hz PM (50 % 占空比方波) 870 MHz, 28 V/m, 18 Hz PM (50 % 占空比方波) 930 MHz, 28 V/m, 18 Hz PM (50 % 占空比方波) 1720 MHz, 28 V/m, 217 Hz PM (50 % 占空比方波) 1845 MHz, 28 V/m, 217 Hz PM (50 % 占空比方波) 1970 MHz, 28 V/m, 217 Hz PM (50 % 占空比方波) 2450 MHz, 28 V/m, 217 Hz PM (50 % 占空比方波) 5240 MHz, 9 V/m, 217 Hz PM (50 % 占空比方波) 5500 MHz, 9 V/m, 217 Hz PM (50 % 占空比方波) 5785 MHz, 9 V/m, 217 Hz PM (50 % 占空比方波) |
|---------------|---|

| 电快速瞬变/脉冲群 | |
|--|---|
|  | 产品不得受到通过电源线快速脉冲信号的影响。这可能会导致组件出现缺陷, 或者产品可能会启动操作。 |
| 测试标准 | 抗扰试验电平 |
| EN 61000-4-4 | +/- 1 kV, +/- 2 kV 100 kHz 重复频率 |
| 抗扰度 | |
|  | 产品不得因闪电受到影响, 例如启动操作或认为组件出现故障。 |
| 测试标准 | 抗扰试验电平 |
| EN 61000-4-5 | 两线间: +/- 0.5 kV, +/- -1 kV 接地: +/- 0.5 kV, +/-1 kV, +/- 2 kV |


对射频场引起的传导干扰的抗扰度

| | |
|---|--|
|  | 连接线不得受其他射频场干扰，否则会影响运行或导致部件损坏。 |
| 测试标准 | 抗扰试验电平 |
| EN 61000-4-6 | 3 V (6 V 用于 ISM 波段及业余无线电频段) 0.15 至 80 MHz, 1 kHz 时 80% 调幅 |


电压骤降


| | |
|---|---|
|  | 产品不得因电力供应不足而启动或限制操作。 |
| 测试标准 | 抗扰试验电平 |
| EN 61000-4-11 | 0% U_T ; 0°、45°、90°、135°、180°、225°、270° 和315°时0.5个循环, 0% U_T ; 0°时1个循环, 70% U_T ; 0°时25个循环 0° 单相 |


电压中断


| | |
|--|---------------------|
|  | 产品不得因短时断电而启动或限制操作。 |
| 测试标准 | 抗扰试验电平 |
| EN 61000-4-11 | 0 % U_T ; 300 个循环 |

电磁辐射

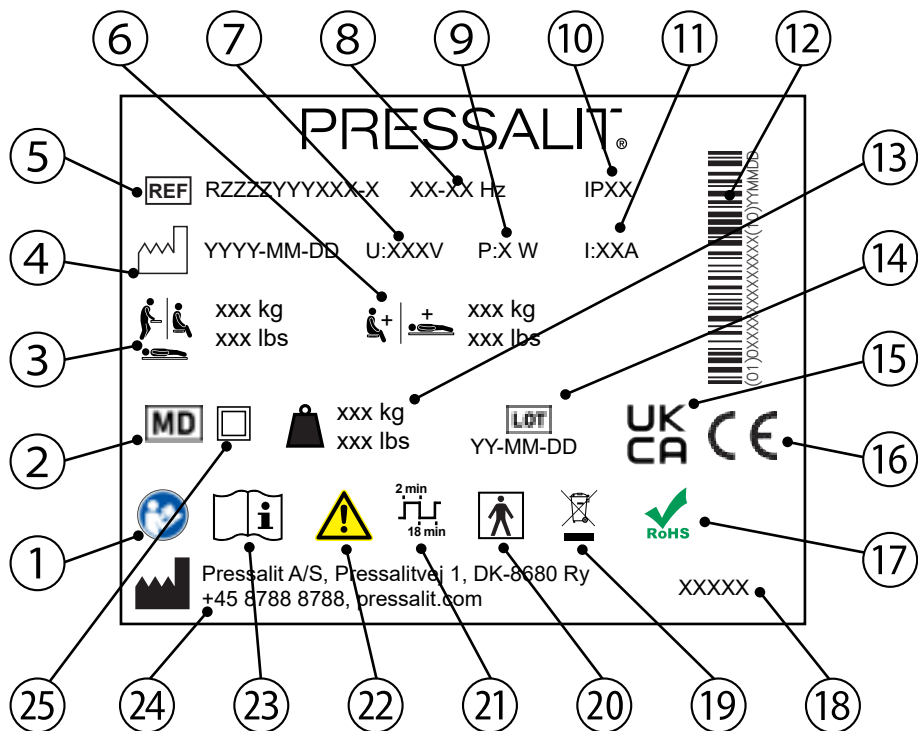
| 传导射频发射 | |
|---|----------------------------|
|  | 产品不得向电网发送太多噪音。这会扰乱其他产品的运行。 |
| 测试标准 | 排放测试级别和组 |
| EN 55011 | B级, 1组 |

| 辐射射频发射 | |
|---|-------------------------------|
|  | 不得在房间内通过射频发射制造噪音。这会扰乱其他产品的运行。 |
| 测试标准 | 排放测试级别和组 |
| EN 55011 | B级, 1组 |

| 谐波电流发射 | |
|---|-----------------|
|  | 产品不得无意地从电网获取电力。 |
| 测试标准 | 排放测试级别和组 |
| IEC 61000-3-2 | 级别 A |

| 电压变化、电压波动和闪烁 | |
|---|--|
|  | 产品接入电网时不得影响其他产品。例如, 灯可能会开始闪烁, 从而打扰房间里的人。 |
| 测试标准 | 排放测试级别和组 |
| EN 61000-3-3 | 根据标准进行测试。 |

产品标签



① 请参考使用手册

② 医疗器械

③ 最大使用者体重

④ 生产日期

⑤ 货号

⑥ 最大荷载

⑦ 电源电压

⑧ 频率

⑨ 最大功耗

⑩ IP 等级

⑪ 电流

⑫ GS1-128 条形码

⑬ 产品重量

⑭ 批次代码

⑮ 英国合格认定 (UK Conformity Assessed)

本产品根据以下相关要求加贴 CE 标志:

- 欧洲医疗器械法规 2017/745 (2017 年 4 月 5 日)
- 欧盟机械指令 2006/42/EC (2006 年 5 月 17 日)
- 欧盟 RoHS 指令 2011/65/EC (2011 年 6 月 8 日)

如需符合性声明, 请访问 pressalit.com

⑰ 本产品不含欧盟 RoHS 指令 2011/65/EC 规定的任何有害物质。

⑱ 产品名称 (如果有)

⑲ 请勿按未分类生活垃圾处理。本产品应被单独收集, 然后送至指定的回收服务点。

⑳ BF 类应用部件。产品部件在正常使用时需要与患者有身体接触, 方可执行其功能。本产品符合 IEC 60601-1 要求, 有防电击保护功能

㉑ 占空比

㉒ 请查阅手册, 了解警告和注意事项等重要警示信息

㉓ 请参考使用手册

㉔ 生产商名称和地址

㉕ 双绝缘电器

技术参数

| | |
|-------|---|
| 材料 | 粉漆不锈钢 塑料： PVC（帆布） 聚乙烯（外壳） |
| IP 等级 | 本产品的防护等级为 IPX6。本产品不能浸入水中，但是，可以承受各方向喷来的大水柱（12.5 毫米喷嘴）。 |

处理与回收

装置中含有可重复使用的材料。处理产品并不存在已知危险或风险。所有组件在清洁和消毒后方可丢弃。

处理产品时，建议按照不同的垃圾种类将产品进行拆卸和分解，再回收或烧毁。

下表提供关于回收和处理产品的资料。

| | |
|------|---|
| | |
| 钢 | 钢可在重新熔化后循环再用，并用作新钢生产的二次材料。 |
| 塑料 | 如果当地有塑料分类回收系统，应妥善使用。如果没有，焚烧塑料也具有产生能源的额外优点，例如可用于热电联产等用途。 |
| 电子组件 | 电子组件应单独收集，然后送至指定的回收服务点。 |

المحتوى

| | |
|------|--------------------------------------|
| 218. | إرشادات التركيب |
| 218. | لافتة التشغيل |
| 219. | الرموز المستخدمة في هذا الدليل |
| 220. | السلامة العامة |
| 221. | الغرض من الاستخدام |
| 221. | مواصفات المشغل المعني |
| 221. | مواصفات المستخدم المعني |
| 221. | بيئة التشغيل |
| 221. | موانع الاستخدام |
| 221. | التوافق الحيوي |
| 222. | إرشادات التشغيل |
| 223. | قضايا السلامة |
| 224. | ضبط الارتفاع |
| 225. | الغطاء الشبكي/القماشي |
| 226. | قفل سحب الغطاء بعد تركيبه على الإطار |
| 227. | التنظيف |
| 227. | التعقيم |
| 228. | الصيانة |
| 228. | فحص الصيانة |
| 230. | استكشاف المشكلات وإصلاحها |
| 231. | التوافق الكهرومغناطيسي |
| 232. | الحصانة الكهرومغناطيسية |
| 235. | الانبعاثات الكهرومغناطيسية |
| 236. | ملصق تعريف المنتج |
| 238. | البيانات الفنية |
| 238. | التخلص من المنتج وإعادة تدويره |

إرشادات التركيب

إرشادات التركيب مرفقة مع المنتج. ويمكن تنزيلها أيضًا من pressalit.com.



لافتة التشغيل

لافتة التشغيل مرفقة مع المنتج. ويمكن تنزيلها أيضًا من pressalit.com.



الرموز المستخدمة في هذا الدليل

تُستخدم الرموز التالية في هذا الدليل وكذلك في الوثائق ذات الصلة المرفقة مع المنتج.

يشير الرمز **تحذير** إلى موقف ينطوي على خطورة محتملة وقد يؤدي إلى الوفاة أو التعرض لإصابة خطيرة في حالة عدم تلافيه.

تحذير 

يشير الرمز **تنبيه** إلى موقف ينطوي على خطورة محتملة وقد يؤدي إلى التعرض لإصابة طفيفة أو متوسطة في حالة عدم تلافيه. قد يُستخدم هذا الرمز أيضًا للتحذير من الممارسات غير الآمنة.

تنبيه 

يشير الرمز **معلومات مهمة** إلى معلومات مهمة بخصوص التعامل مع المنتج واستخدامه.

معلومات مهمة

يُستخدم الرمز **ملاحظة** للإشارة إلى ممارسات غير مرتبطة بالسلامة الشخصية.

ملاحظة

| | | | |
|---|---|---|---|
|  |  |  |  |
| لا تترك المريض دون مرافق | تحذير من الكهرباء / الجهد الكهربائي | تحذير من التعرض لإصابة بالرأس | تحذير من التعرض لإصابة باليد |
| |  |  |  |
| | رقم / إصدارات السلعة | قطع الغيار | مواصفات الطاقة |
| | |  |  |
| | | أقصى وزن للمستخدم | وزن المنتج |

تحذير !

- احرص على قراءة الدليل بالكامل واستيعابه تمامًا قبل الاستخدام. احتفظ بالدليل في مكان قريب من الوحدة.
- التزم بالإرشادات الواردة في هذا الدليل لتلافي وقوع حوادث قد تؤدي إلى التعرض لإصابة شخصية خطيرة.
- يحظر تمامًا استخدام هذا المنتج أو التعامل معه بطرق أخرى غير تلك المحددة في هذا الدليل، حيث قد يؤدي ذلك إلى تعريض سلامتك الشخصية للخطر وتلف المنتج.
- تأكد من إمام جميع الأشخاص القائمين على تركيب المنتج وأنظمتها أو استخدامها بالمعلومات الضرورية ومن إمكانية حصولهم على هذا الدليل.

تنبيه !

- يرجى الالتزام بهذه الإرشادات لتلافي تعرض المنتج للتلف أو التدمير.
- لا تقم بإجراء أي أعمال إصلاح، أو عمليات فك أو تجميع للمكونات، أو توسعات، أو عمليات إعادة ضبط، أو تعديلات بهذا المنتج. يجب عدم إجراء هذه العمليات سوى بمعرفة شركة Pressalit أو الأشخاص المعتمدين من شركة Pressalit.
- يحظر تمامًا السماح للأطفال بتشغيل هذا المنتج دون إشراف. هذا المنتج غير مخصص لأغراض اللعب.
- يحظر تمامًا استخدام المنتج إذا كان معيبًا أو تالفًا. يحظر استخدام المنتج المعيب قبل إجراء أعمال الإصلاح له.

ملاحظة

- تعتمد المعلومات الموضحة في هذا الدليل على التركيب السليم للمنتج وفقًا لإرشادات التجمي ع الخاصة بنا.
- لن تتحمل شركة Pressalit أي مسؤولية في حالة استخدام المنتج بأي طريقة تختلف عن تلك الموضحة في الدليل.
- نحتفظ بالحق في تعديل هذا الدليل دون إشعار مسبق.

الغرض من الاستخدام

هذا المنتج مخصص لمساعدة الأشخاص العاجزين عن الوقوف أو الجلوس على الاستحمام. يستلقي الشخص في وضع أفقي على طاولة الاستحمام.

مواصفات المشغل المعني

هذا المنتج مصمم للاستخدام بمعرفة الأشخاص المدربين على الرعاية الصحية ومساعدة الأشخاص المسؤولين منهم على الاغتسال.

مواصفات المستخدم المعني

يمكن استخدام هذا المنتج مع جميع فئات الأشخاص - البالغين والأطفال والشباب والمسنين الذين لا يتعدى وزنهم الحمولة القصوى البالغة 200 كجم

بيئة التشغيل

المنتج مصمم للاستخدام في البيئات الداخلية الرطبة، مثل الحمامات أو غرف الاغتسال. المنتج مخصص للاستخدام في درجة حرارة الغرفة، في الدور الخاصة، ودور الرعاية والتمريض، والمستشفيات في ظروف العمل العادية.

موانع الاستخدام

لا ينصح باستخدام الوحدة للمرضى الذين لديهم مضخة التسريب أو مضخة الأنسولين أو يعانون من الأمراض الجلدية الالتهابية أو المرضى الذين يعانون من الحمى.

يحظر على المرضى الذين يعانون من قصور القلب وأمراض القلب والأوعية الدموية والإصابة القحفية المخفية، والجروح المفتوحة وخطوط التغذية أو التصريف (مثل القسطرة وأنبوب النُّزْح) استخدام هذه الوحدة إلا بعد استشارة الطبيب المعالج.

التوافق الحيوي

تم تقييم المواد التي تلامس جلد المستخدم أثناء الاستخدام المخصص، من حيث احتوائها على مواد مضرّة وفقاً للإجراء الوارد في التقييم البيولوجي BS EN ISO 10993-1:2020 للأجهزة الطبية - الجزء الأول، وبعد التقييم اعتُبرت مناسبة لهذا الغرض.

إرشادات التشغيل

أسند طاولة الاستحمام مستخدمًا يدك أو جسمك عند طيها لأسفل، لتجنب خطر تلفها.

تساعد أسطوانات الغاز المضمنة على طي طاولة الاستحمام لأعلى على الحائط بسهولة بعد الاستخدام.



توَعَّ الحذر لتجنب تعرض يديك لإصابات عند الوقوف على مقربة من أجزاء الإقفال الميكانيكية.



تنبيه !

توَعَّ الحذر دائمًا عند نقل أي شخص إلى طاولة الاستحمام ومنها.

تنبيه !

قد يصبح سطح المنتج ساخنًا أو باردًا إذا تعرض لمصادر خارجية للحرارة أو البرودة (مثلًا، ضوء الشمس أو الصقيع).

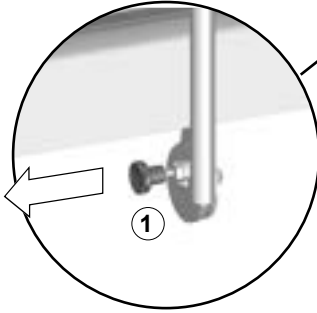
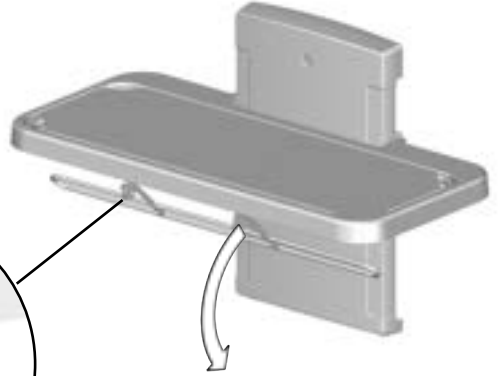
ملاحظة

يجب إبلاغ الشركة المصنعة والسلطات الصحية بأي حادث خطير يقع عند استخدام المنتج.

لسحب قضييب السلامة لأعلى: حرّك القضييب لأعلى من تحت طاولة الاستحمام. سيتم قفل قضييب السلامة في موضعه تلقائيًا.



لطي قضييب السلامة بعيدًا: حرّر القفل ① وحرّك قضييب السلامة لأسفل تحت طاولة الاستحمام.



تنبيه ⚠

يحظر تمامًا ترك أي شخص يستلقي على مقعد التمرّض المصمم بدون وجود الغطاء في مكانه. الدرج الموجود أسفل الوسائد مخصص لتجميع المياه فقط. وهو غير مصمم للاستخدام بمثابة حوض استحمام (بانيو). خطر تعرض المستخدم للإصابة وتلف المنتج.



ضبط الارتفاع

عند تركيب طاولة الاستحمام على الارتفاع الموصى به، يمكن ضبطها بارتفاع يتراوح بين 480 و880 ملم عن الأرض.



يتم التحكم في ضبط الارتفاع من وحدة التحكم عن بعد الموصلة سلكيًا.

اضغط مع الاستمرار على الزر الذي يشير لأعلى لرفع الوحدة. وعند تحرير الزر، تتوقف الحركة.



اضغط مع الاستمرار على الزر الذي يشير لأسفل لخفض الوحدة. وعند تحرير الزر، تتوقف الحركة.



لتجنب خطر الاختناق، تأكد من وضع وحدة التحكم عن بعد الموصلة سلكيًا في الحامل الخاص بها في حالة عدم الاستخدام.



توخَّ الحذر لتلافي تعرض يديك وقدميك ورأسك للإصابة عند الوقوف على مقربة من القطع الميكانيكية المتحركة.



تنبيه

تجنب تمامًا وضع أشياء أسفل طاولة الاستحمام.

لا تترك المريض دون مرافق.



الغطاء الشبكي/القماشي



يمكن إزالة الإطار الموجود مع الغطاء لتنظيفه.
يمكن فتح سحاب الغطاء لخلعه وغسله في الغسالة العادية على درجة حرارة 70 درجة مئوية كحد أقصى.

جفف درج تجميع المياه.

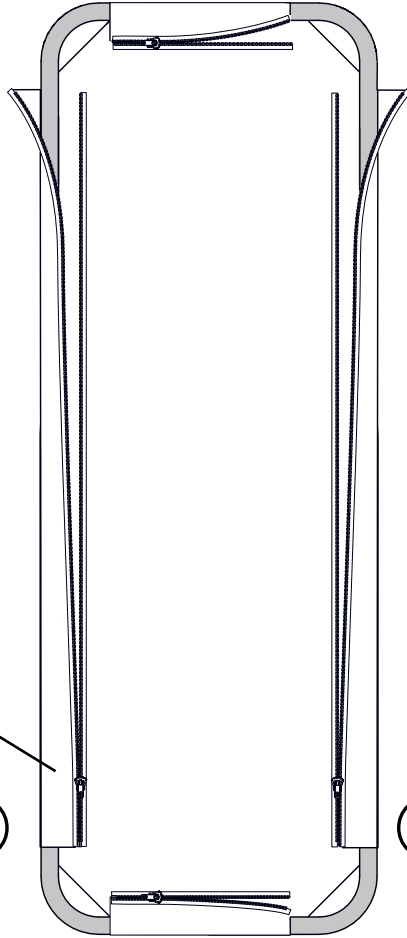
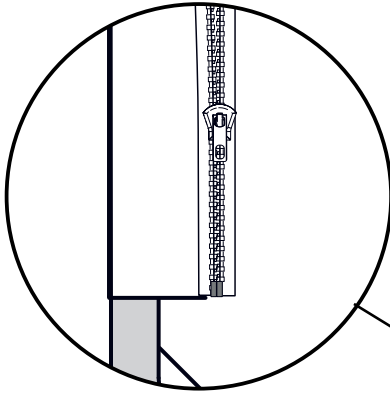
فقل سحاب الغطاء بعد تركيبه على الإطار

عند إزالة الغطاء لغسله، ينبغي فقل السحاب مجددًا بعد إعادة تركيبه على الإطار.
أغلق جميع السحابات بحوالي 5 سم.

①

استمر في فقل السحابات الأربع تدريجيًا في اتجاه عقارب الساعة أو في عكس اتجاه عقارب الساعة.

سيضمن ذلك تركيب الغطاء على الإطار بشكل سليم.



④

②

③

التنظيف

يجب تنظيف المنتج بماء ساخن ومستحضر تنظيف صابوني معتدل. يمكن العثور على قائمة بمستحضرات التنظيف المناسبة والمختبرة بواسطة Pressalit على pressalit.com.

تنبيه

احرص دائماً على قراءة ورقة بيانات سلامة المادة (MSDS) والإرشادات المرفقة مع مستحضر التنظيف أو التعقيم أو إزالة القشور والالتزام بإرشادات الاستخدام، والتخفيف، والغسيل، والتجفيف، والتعامل، والتخزين الآمن للمستحضر.

معلومات مهمة

- تجنب استخدام جهاز تعقيم البخار المضغوط أو أي نوع آخر من أجهزة التنظيف بالبخار.
- تجنب استخدام مستحضرات التنظيف القوية التي تحتوي على أحماض.
- يحظر تماماً توجيه الرذاذ الصادر من منظف بالضغط العالي إلى المنتج مباشرةً.
- تجنب استخدام مستحضرات التنظيف أو التعقيم الكاشطة أو المسببة للتآكل أو التي تحتوي على الكلور.

التعقيم

عند استخدام طاولة الاستحمام مع مجموعة من المرضى، فمن الضروري تنظيفها وتعقيمها بين مرات الاستخدام مع مختلف المرضى لتلافي مخاطر انتقال حالات العدوى. يمكن العثور على قائمة بالمطهرات المناسبة على www.pressalit.com.

الصيانة

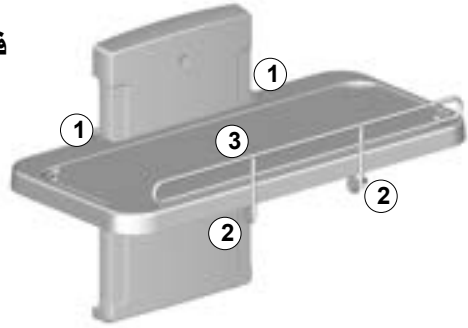
يبلغ عمر الخدمة المتوقع لطاولة الاستحمام 10 أعوام، شريطة إجراء أعمال الصيانة على النحو الموضح أدناه:

يوصى بتشغيل المحركات الموجودة بالمنتج أسبوعيًا بأقصى مستوياتها عن طريق رفع طاولة الاستحمام حتى الارتفاع الكامل لها ثم خفضها إلى أدنى موضع، لكي يتم تشحيم القطع الداخلية.

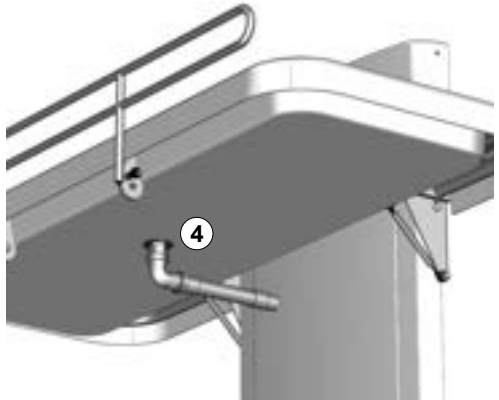
يوصى بإجراء فحص الصيانة مرة كل عام.

فحص الصيانة

- افحص المفصلات ① الموجودة في طاولة الاستحمام وقضيب السلامة ②. أحكم ربطها إذا لزم الأمر.
- افحص الغطاء ③ بحثًا عن وجود تلف به واستبدله إذا لزم الأمر.



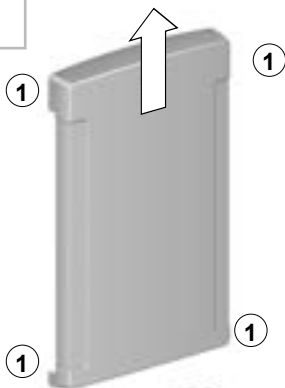
- افحص وصلات أنبوب التصريف ④، وافحص محبس المياه (في حالة تركيبه) وقم بتنظيفه.



افصل مصدر الطاقة الرئيسي قبل رفع
الأغطية.



- قم بفك براغي التثبيت العلوية والسفلية
① الموجودة على الغطاء ثم ارفع
الغطاء بحذر.



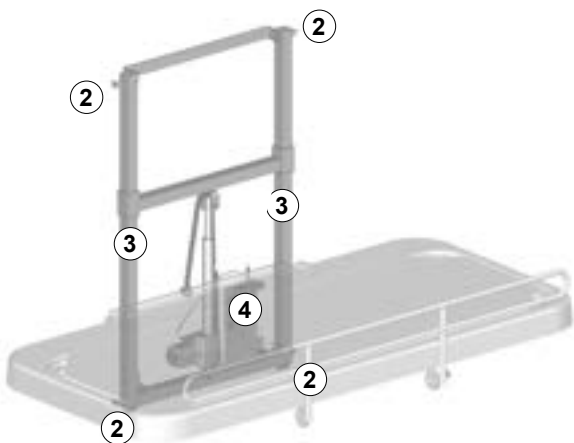
- افحص الكتائف الحائطية ② وأحكم
ربطها إذا لزم الأمر.

- قم بتزييت القطع المتحركة، وخاصة
الزمامات الزالقة ③.

- افحص جميع التوصيلات الكهربائية
الخاصة بصندوق التحكم ④.

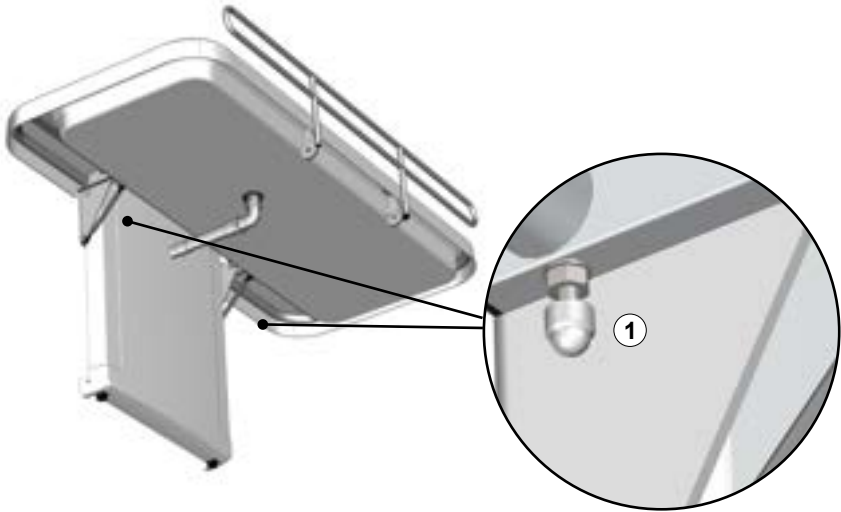
- أعد تركيب غطاء الوحدة في موضعه
وأحكم ربط براغي التثبيت.

- أعد توصيل مقبس الطاقة الرئيسي.



استكشاف المشكلات وإصلاحها

| | | |
|--|--|---|
| اتصل بشركة Pressalit أو الوكيل المحلي في منطقتك. | أسطوانة الغاز معيبة. | طاولة الاستحمام لا تظل في الوضع القائم. |
| تأكد من سلامة جميع الأسلاك والقوابس وتوصيلها بصورة صحيحة. اتصل بشركة Pressalit أو الوكيل المحلي في منطقتك. | عطل في مصدر الطاقة. | المنتج لا يعمل، بالرغم من استخدام وحدة التحكم عن بعد بصورة صحيحة. |
| اضبط براغي الضبط ①. | براغي الضبط مرتفعة أو منخفضة للغاية. | لا يتم تصريف المياه من درج تجميع المياه. |
| قم بنزيب الزمامات الزالقة على النحو الموضح في قسم "الصيانة". | لم يتم تشحيم الزمامات الزالقة بقدر سليم. | طاولة الاستحمام تتحرك لأعلى ولأسفل بشكل غير متساوي. |



اتصل بشركة Pressalit أو الوكيل الذي تتعامل معه في حالة تعذر إصلاح المشكلة. لا تحاول إصلاح المنتج بنفسك، حيث سيؤدي ذلك إلى إبطال الضمان.

التوافق الكهرومغناطيسي

الجهاز مناسب للاستخدام في المنزل أو في مراكز الرعاية النهارية أو المراكز النهارية للأشخاص من ذوي الإعاقة الجسدية أو العقلية أو في المستشفيات باستثناء تلك الأجهزة التي بالقرب من المعدات الجراحية ذات التردد العالي النشطة والغرف المحمية بالترددات الراديوية المزودة بأنظمة طبية للتصوير بالرنين المغناطيسي مع ارتفاع كثافة الاضطرابات الكهرومغناطيسية.

لا يشمل الجهاز أي وظيفة مرتبطة بالسلامة الأساسية أو الأداء الأساسي. في حال ضعف أداء المنتج أو تدهوره بسبب الاضطرابات الكهرومغناطيسية، يمكن للمستخدم النزول عن المنتج وصعوده.

| طول | الكابل |
|--------------------------|------------------|
| كابل الطاقة | 3.2 م |
| كابل حلزوني للتحكم باليد | 5 م تقريباً ممتد |


تحذير!

- قد يؤدي استخدام ملحقات ومحولات وكابلات غير تلك التي سبق تحديدها أو المقدمة من الشركة المصنعة إلى زيادة الانبعاثات الكهرومغناطيسية أو انخفاض الحصانة الكهرومغناطيسية لهذه المعدات وينتج عن ذلك أداء غير صحيح.
- يجب استخدام معدات الاتصال اللاسلكية ذات الترددات الراديوية المحمولة (بما في ذلك الوحدات الملحقة مثل كابلات الهوائيات والهوائيات الخارجية) على مسافة لا تزيد عن 30 سم لأي جزء من الوحدة، بما في ذلك الكابلات الخاصة بها، لتجنب أي تدهور في أداء هذه الوحدة.
- يجب تفادي استخدام هذه المعدات بالقرب من معدات أخرى أو متراسة معها، لأنها يمكن أن تؤدي إلى التشغيل بطريقة غير مناسبة. إذا كان هذا الاستخدام ضرورياً، فينبغي مراعاة هذه المعدات والمعدات الأخرى للتحقق من أنها تعمل بصورة طبيعية.

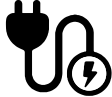
الحصانة الكهرومغناطيسية

| التفريغ الإلكترونيستاتيكي | |
|--|--|
| يجب ألا يتأثر المنتج بالتفريغ الإلكترونيستاتيكي بين شخص ما والمنتج بطريقة تؤدي إلى بدء الإجراءات أو تجعل المكونات معيبة. |  |
| مستوى اختبار الحصانة | معيار الاختبار |
| وصلة +/- 8 كيلو فولت هواء +/- 2، 4، 8، 15 كيلو فولت | EN 61000-4-2 |
| مجالات الكهرومغناطيسية الناجمة عن الترددات الراديوية | |
| يجب ألا يتأثر المنتج بالإشارات الناجمة عن الترددات لاسلكي، والتي يمكن أن الإشارات المنبعثة من هاتف محمول أو جهاز لاسلكي، والتي يمكن أن تتسبب في اتخاذ المنتج إجراءات أو تجعل المكونات معيبة. |  |
| مستوى اختبار الحصانة | معيار الاختبار |
| 15 فولت / متر 80 ميغاهرتز إلى 1000 ميغاهرتز (فقط في الأمام) 15 فولت / متر 1،01 جيجا هرتز إلى 3 جيجا هرتز 80 % AM 1 كيلو هرتز | EN 61000-4-3 |


حصانة ضد مجالات التقارب من معدات الاتصال اللاسلكية ذات الترددات الراديوية

| | |
|---|--|
| <p>يجب ألا يتأثر المنتج بالإشارات الناجمة عن الترددات لاسلكي، والتي يمكن أن الإشارات المنبعثة من هاتف محمول أو جهاز لاسلكي، والتي يمكن أن تتسبب في اتخاذ المنتج إجراءات أو تجعل المكونات معيبة.</p> |  |
| <p>مستوى اختبار الحصانة</p> | <p>معيار الاختبار</p> |
| <p>385 ميغا هرتز، 27 فولت / متر، 18 هرتز (50 PM % من موجة مربعة بدورة عمل) 450 ميغا هرتز، 28 فولت / متر، انحراف 5 +/- FM كيلو هيرتز، جيب الزاوية 1 كيلو هرتز 710 ميغا هرتز، 9 فولت / متر، 217 هرتز (50 PM % من موجة مربعة بدورة عمل) 745 ميغا هرتز، 9 فولت / متر، 217 هرتز (50 PM % من موجة مربعة بدورة عمل) 780 ميغا هرتز، 9 فولت / متر، 217 هرتز (50 PM % من موجة مربعة بدورة عمل) 810 ميغا هرتز، 28 فولت / متر، 18 هرتز (50 PM % من موجة مربعة بدورة عمل) 870 ميغا هرتز، 28 فولت / متر، 18 هرتز (50 PM % من موجة مربعة بدورة عمل) 930 ميغا هرتز، 28 فولت / متر، 18 هرتز (50 PM % من موجة مربعة بدورة عمل) 1720 ميغا هرتز، 28 فولت / متر، 217 هرتز (50 PM % من موجة مربعة بدورة عمل) 1845 ميغا هرتز، 28 فولت / متر، 217 هرتز (50 PM % من موجة مربعة بدورة عمل) 1970 ميغا هرتز، 28 فولت / متر، 217 هرتز (50 PM % من موجة مربعة بدورة عمل) 2450 ميغا هرتز، 28 فولت / متر، 217 هرتز (50 PM % من موجة مربعة بدورة عمل) 5240 ميغا هرتز، 9 فولت / متر، 217 هرتز (50 PM % من موجة مربعة بدورة عمل) 5500 ميغا هرتز، 9 فولت / متر، 217 هرتز (50 PM % من موجة مربعة بدورة عمل) 5785 ميغا هرتز، 9 فولت / متر، 217 هرتز (50 PM % من موجة مربعة بدورة عمل)</p> | <p>*EN 61000-4-3</p> |


التحويل السريع من الكهرباء/الدفقات

| | |
|---|---|
| <p>يجب ألا يتأثر المنتج بإشارات النبض السريع عبر السلك. يمكن أن يسبب هذا في أن تصبح المكونات معيبة أو قد يؤدي إلى أن يبدأ المنتج الإجراءات.</p> |  |
| <p>مستوى اختبار الحصانة</p> | <p>معيار الاختبار</p> |
| <p>+/- 1 كيلو فولت، +/- 2 كيلو فولت 100 كيلو هرتز تردد التكرار</p> | <p>EN 61000-4-4</p> |

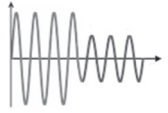
ارتفاع الحصانة

| | |
|--|---|
| <p>يجب ألا يتأثر المنتج بطريقة تؤدي إلى بدء إجراءات أو جعل المكونات معيبة نتيجة الصواعق.</p> |  |
| <p>مستوى اختبار الحصانة</p> | <p>معيار الاختبار</p> |
| <p>خط إلى خط: +/- 0.5 كيلو فولت، +/- 1 كيلو فولت خط إلى الأرض: +/- 0.5 كيلو فولت، +/- 1 كيلو فولت، +/- 2 كيلو فولت</p> | <p>EN 61000-4-5</p> |

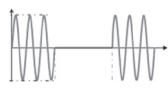
حصانة ضد الاضطرابات الناجمة عن التوصيل بمجالات ترددات الراديو

| | |
|--|---|
| <p>يجب ألا تتأثر الأسلاك بمجالات ترددات الراديو الأخرى بطريقة تؤدي إلى بدء الإجراءات أو تجعل المكونات معيبة.</p> |  |
| <p>مستوى اختبار الحصانة</p> | <p>معيار الاختبار</p> |
| <p>3 فولت (6 فولت في حزمة ISM وتردد راديو الهواة) 0,15 إلى 80 ميغا هرتز، 80 % AM عند 1 كيلو هرتز</p> | <p>EN 61000-4-6</p> |


انحسارات الجهد


| | |
|--|--|
| <p>يجب ألا يبدأ المنتج الإجراءات أو يحدها نتيجة انخفاض مفاجئ في جهد وحدة الإمداد بالتيار.</p> |  |
| <p>مستوى اختبار الحصانة</p> | <p>معيار الاختبار</p> |
| <p>0 % U_T، 0.5 دورة عند 0 درجة، 45 درجة، 90 درجة، 135 درجة، 180 درجة، 225 درجة، 270 درجة و315 درجة، 0 % U_T، 1 دورة عند 0 درجة، 70 % U_T، 25 دورة عند 0 درجة أحادي الطور عند 0 درجة</p> | <p>EN 61000-4-11</p> |


انقطاعات الجهد الكهربائي


| | |
|--|--|
| <p>يجب ألا يبدأ المنتج الإجراءات أو يحد منها نتيجة توقف وحدة الإمداد بالتيار قصير الأجل.</p> |  |
| <p>مستوى اختبار الحصانة</p> | <p>معيار الاختبار</p> |
| <p>0 % U_T، 300 دورة</p> | <p>EN 61000-4-11</p> |

الانبعاثات الكهرومغناطيسية

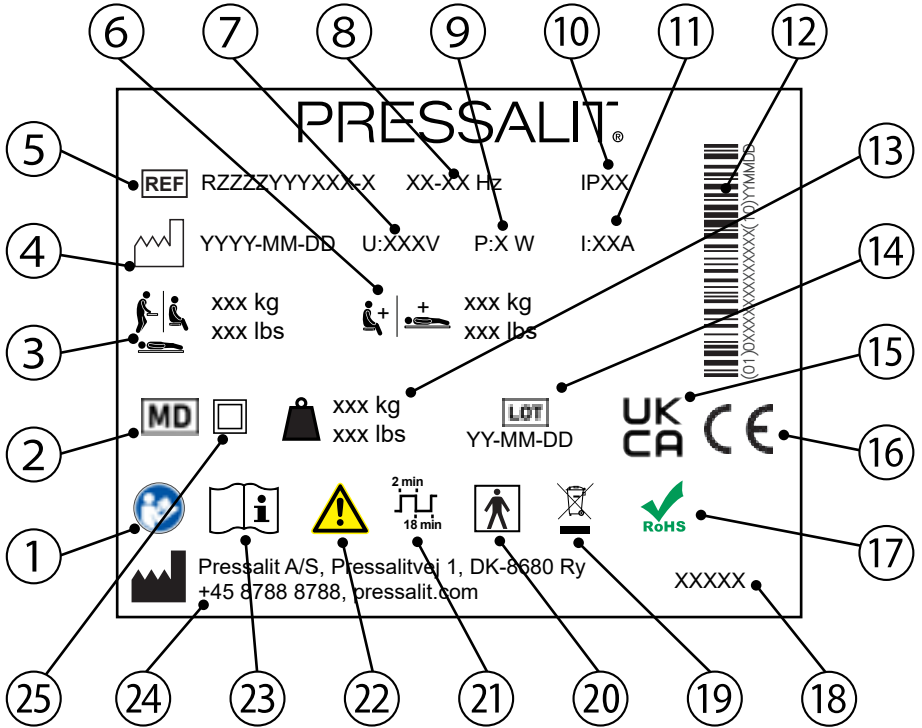
| الانبعاثات الناجمة عن الترددات الراديوية | |
|--|---|
| يجب ألا يُصدر المنتج الكثير من الضوضاء داخل الشبكة. يمكن أن يؤدي هذا إلى تعطل منتجات أخرى. |  |
| فئة ومجموعة اختبار الانبعاثات | معيار الاختبار |
| فئة ب، مجموعة 1 | EN 55011 |

| الانبعاثات الناجمة عن الترددات الراديوية | |
|--|---|
| يجب ألا يُصدر المنتج إشارات ترددات راديوية في الغرفة. يمكن أن يؤدي هذا إلى تعطل منتجات أخرى. |  |
| فئة ومجموعة اختبار الانبعاثات | معيار الاختبار |
| فئة ب، مجموعة 1 | EN 55011 |

| انبعاثات التيار الكهربائي المتوافقة | |
|--|---|
| يجب ألا يسحب هذا المنتج الطاقة بدون قصد من الشبكة. |  |
| فئة ومجموعة اختبار الانبعاثات | معيار الاختبار |
| فئة أ | IEC 61000-3-2 |

| تغيرات الجهد الكهربائي وتقلبات الجهد الكهربائي والوميض | |
|--|---|
| يجب ألا يؤثر المنتج على منتجات أخرى عند توصيله بالشبكة. على سبيل المثال، يمكن أن تكون هذه أضواء يمكن أن تبدأ في الوميض ومن ثم تزج الأشخاص الموجودين في الغرفة. |  |
| فئة ومجموعة اختبار الانبعاثات | معيار الاختبار |
| تم اختباره وفقاً للمعيار. | EN 61000-3-3 |

ملصق تعريف المنتج



1 راجع دليل الاستخدام

2 جهاز طبي

3 أقصى وزن للمستخدم

4 تاريخ الإنتاج

5 رقم السلعة

6 الحمولة القصوى

7 الجهد الكهربائي لمصدر الطاقة الرئيسي

8 التردد

9 أقصى استهلاك للطاقة

لعربية

10 فئة IP

11 التيار الكهربائي

12 الرمز الشريطي GS1-128

13 وزن المنتج

14 كود المجموعة

15 أُجري تقييم المطابقة للمملكة المتحدة

- هذه المنتجات حاملة لعلامة CE بموجب الاشتراطات السارية في:
- لائحة (الاتحاد الأوروبي) 745/2017 (5 أبريل 2017) بشأن الأجهزة الطبية.
 - توجيه المجلس الأوروبي EC/42/2006 (بتاريخ 17 مايو 2006) بشأن الآلات.
 - توجيه المجلس الأوروبي EC/65/2011 (بتاريخ 8 يونيو 2011) بشأن RoHS.

يمكن الاطلاع على إعلان المطابقة على pressalit.com

17 لا يحتوي هذه المنتج على أي مواد خطرة مذكورة في توجيه مجلس الاتحاد الأوروبي رقم EC/65/2011 حول الحد من المواد الخطرة.

18 اسم المنتج (إن وُجد)

19 لا تتخلص من المنتج باعتباره نفايات محلية غير مصنفة. يجب تجميع المنتج على حدة وإعادةه إلى خدمة إعادة التدوير المخصصة.

20 جزء يلامس المريض من النوع BF جزء من المنتج يلامس المريض بالضرورة بصورة مادية خلال الاستخدام العادي لأداء وظيفته. يتوافق المنتج مع متطلبات معايير IEC 60601-1 لتوفير الحماية من الصدمات الكهربائية

21 دورة العمل

22 راجع الدليل للتعرف على معلومات تحذيرية مهمة مثل التحذيرات والتنبيهات

23 راجع دليل الاستخدام

24 اسم الشركة المصنعة وعنوانها

25 جهاز كهربائي مزدوج العزل

البيانات الفنية

| | |
|--------------|---|
| مواد التصنيع | صلب مقاوم للصدأ مطلي بطبقة من المسحوق مواد بلاستيكية: PVC (قماشى) بوليستيرين (غطاء) |
| فئة IP | يتسم المنتج بتصنيف فئة الحماية من المواد الدخيلة IPX6. يحظر غمر المنتج في المياه، لكنه مصمم لتحمل رشاشات المياه القوية (الصادرة عن فوهة بقطر 12.5 ملم) من أي اتجاه. |

التخلص من المنتج وإعادة تدويره

تحتوي الوحدة على مواد قابلة لإعادة الاستخدام. لا توجد أخطار أو مخاطر معروفة مرتبطة بالتخلص من المنتج. يمكن التخلص من جميع المكونات بعد تنظيفها وتعقيمها.

عند التخلص من المنتج، نوصي بتفكيك مكوناته وتقسيمها إلى مجموعات مختلفة من النفايات من أجل إعادة تدويرها أو حرقها.

يوفر الجدول التالي معلومات حول إعادة تدوير المنتج والتعامل معه.

| | |
|----------------------|--|
| | |
| الصلب | يمكن إعادة تدوير الصلب من خلال إعادة صهره وإدخاله كمادة ثانوية في إنتاج صلب جديد. |
| مواد بلاستيكية | استخدم أنظمة فرز المواد البلاستيكية وإعادة تدويرها في أماكن توفرها محلياً، بخلاف ذلك يتسم حرق البلاستيك بميزة إضافية تتمثل في توليد الطاقة والتي يمكن استخدامها، على سبيل المثال، لإنتاج الحرارة والطاقة بشكل مشترك. |
| المكونات الإلكترونية | يجب تجميع المكونات الإلكترونية على حدة وإعادتها إلى خدمة إعادة التدوير المخصصة. |

www.pressalit.com

- en** Visit our website to find your local dealer and get further information about Pressalit and our solutions for bathrooms and kitchens.
-
- dk** Besøg vores hjemmeside for at finde din lokale forhandler og få yderligere oplysninger om Pressalit og vores løsninger inden for bad og køkken.
-
- de** Besuchen Sie unsere Website, und finden Sie einen Händler in Ihrer Nähe, um mehr über Pressalit und unsere Lösungen für Badezimmer und Küchen zu erfahren.
-
- fr** Rendez-vous sur notre site Internet pour trouver les coordonnées du revendeur le plus proche et obtenir des informations sur Pressalit et nos solutions pour la salle de bains et la cuisine.
-
- nl** Breng een bezoek aan onze website om te zien waar u onze producten kunt kopen en voor meer informatie over Pressalit en onze oplossingen voor badkamers en keukens.
-
- sv** Besök vår webbplats för att hitta en lokal återförsäljare och för mer information om Pressalit och våra lösningar för kök och badrum.
-
- no** Besøk nettstedet vårt for å finne din lokale forhandler og få ytterligere informasjon om Pressalit og løsningene våre for bad og kjøkken.
-
- es** Visite nuestro sitio Web para localizar su distribuidor local y obtener información adicional sobre Pressalit y nuestras soluciones para cuartos de baño y cocinas.
-
- pl** Odwiedź naszą stronę www, gdzie znajdziesz lokalnego dystrybutora oraz informacje o Pressalit i naszych rozwiązaniach dla łazienek oraz kuchni.
-
- 中文** 请访问我们的网站查询您所在地的经销商，以便获得关于Pressalit 以及我们其他浴室和厨房用品更详细的信息资料。
-
- العربية** قم بزيارة موقع الويب الخاص بنا لمعرفة الوكيل المحلي في منطقتك والحصول على المزيد من المعلومات حول شركة Pressalit وحلول الحمامات والمطابخ التي نقدمها.

