

R9414717 - R9414721  
R9434717 - R9434721  
R9454717 - R9454721  
R9464717 - R9464721

**MSCT 1 shower change trolley** – Operation and maintenance manual **en**

**MSCT 1 mobilt bruse-/skifteleje** – Brugs- og vedligeholdelsesvejledning **dk**

**MSCT 1 Duschwagen** – Gebrauchs- und Pflegeanleitung **de**

**MSCT 1 chariot de douche et de change** – Manuel d'utilisation et d'entretien **fr**

**MSCT 1 mobiel douchebrancard** – Gebruiks- en onderhoudshandleiding **nl**

**MSCT 1 mobil duschbrits** – Bruks- och underhållsanvisning **sv**

**MSCT 1 mobilt dusjstillebord** – Bruks- og vedlikeholdsanvisning **no**

**MSCT 1 camilla para ducha/cambio** – Instrucciones de uso y mantenimiento **es**

**MSCT 1 Wózek toaletowy** – Instrukcja obsługi i konserwacji **pl**

**MSCT 1 沐浴床** – 操作和维护手册 **中文**

**MSCT 1** العربية ترولي الاستحمام – دليل التشغيل والصيانة **العربية**



English	11
Dansk	36
Deutsch	61
Français	86
Nederlands	111
Svenska	136
Norsk	161
Español	186
Jzyk polski	211
中文	236
تعبير علما	261



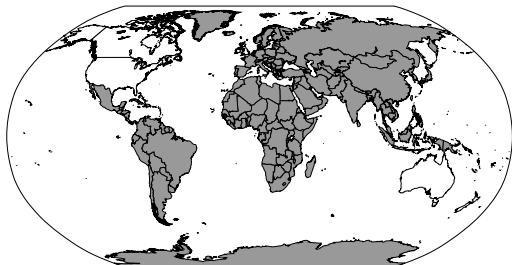
Pressalit's Environmental and Quality Management Systems are certified by LRQA

<b>en</b>	The warranty covers faults or defects in the material of our products within a period of 3 years from date of invoice. Products subject to minor technical modifications and design deviations E. & O.E.
<b>dk</b>	Garantien dækker i 3 år fra fakturadato for materiale- og fabrikationsfejl. Der tages forbehold for trykfejl, tekniske ændringer og modelafvigelser.
<b>de</b>	Die Garantie gilt für drei Jahre ab Rechnungsdatum für Material- und Herstellungsfehler. Druckfehler, technische Änderungen und Modellabweichungen vorbehalten.
<b>fr</b>	La garantie couvre les vices de fabrication et de matériaux pour une durée de 3 ans à partir de la date de facturation. Sous réserve de modifications techniques et d'erreurs d'impression.
<b>nl</b>	De garantie is tot 3 jaar na factuurdatum geldig voor materiaal- en fabricagefouten. Onder voorbehoud van drukfouten, technische wijzigingen en modelafwijkingen.
<b>sv</b>	Garantin gäller i 3 år från fakturadatum för material- och fabrikationsfel. Med reservation för tryckfel, tekniska ändringar och modellavvikelser.
<b>no</b>	Garantien gjelder i 3 år fra fakturadato for material- og fabriksjonsfeil. Med forbehold for trykkfeil, tekniske endringer og modellforskjeller.
<b>es</b>	La garantía cubre fallos de material o fabricación durante los 3 años posteriores a partir de la fecha de factura. Mantenemos reservas en caso de problemas de presión, modificaciones técnicas y variaciones de modelo.
<b>pl</b>	Trzyletnia gwarancja obejmuje usterki oraz wady produkcyjne i materiałowe. Produkty mogą ulec nieznacznym zmianom technicznym i projektowym. Zastrzegamy sobie prawo do błędów i pominięć.
<b>中文</b>	保修涵盖 3 年内出现的材料或制造故障或缺陷。产品的技术和设计可能稍微发生变化，恕不另行通知。

العربية

يغطي الضمان الأخطاء أو العيوب في المواد أو التصنيع لفترة 5 أعوام. المنتجات عرضة لتعديلات فنية وفروق طفيفة في التصميم. حالات الخطأ والسهو مستثناة.





230V

**REF**

R9434717  
R9434721



230V

**REF**

R9454717  
R9454721



230V

**REF**

R9414717  
R9414721






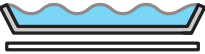




120V


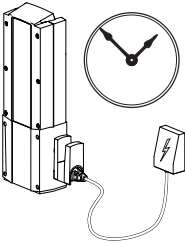
**REF**

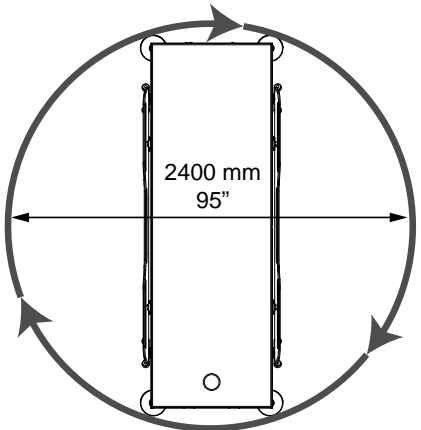
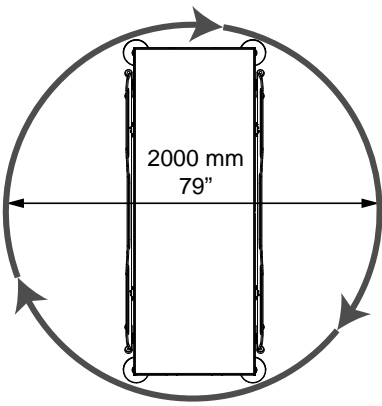
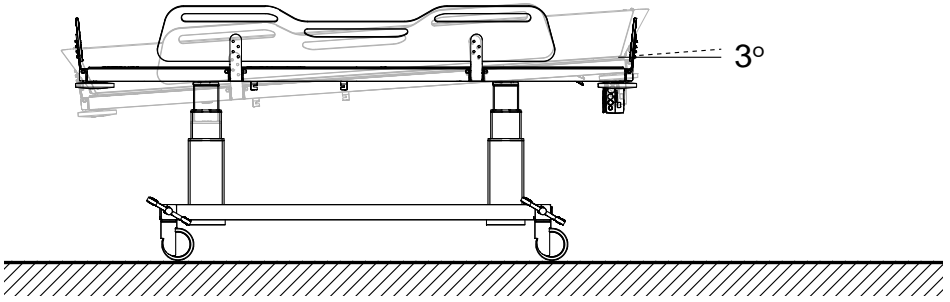
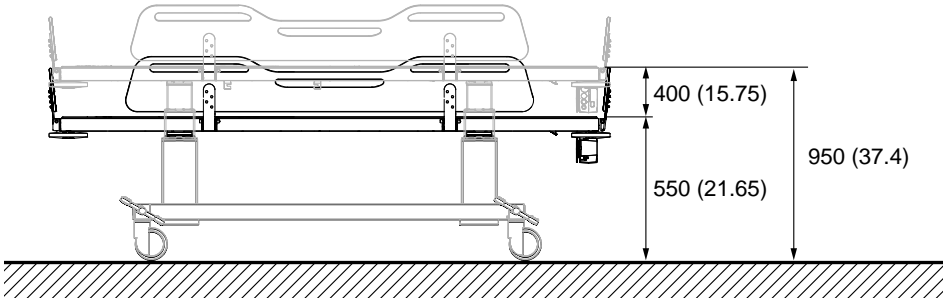
R9464717  
R9464721



	 	  200 kg / 440 lbs
R9414717, R9434717, R9454717, R9464717	107 kg / 236 lbs	  50kg / 110 lbs
R9414721, R9434721, R9454721, R9464721	111 kg / 222 lbs	  250kg / 550 lbs

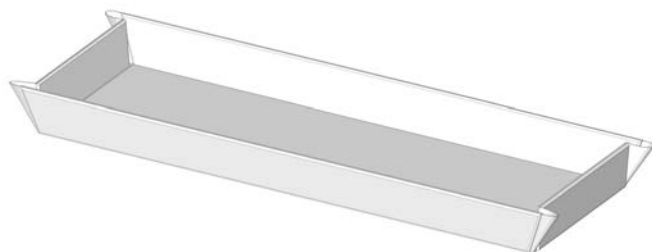
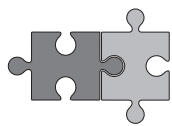


	12V 2,25Ah
	3-4h

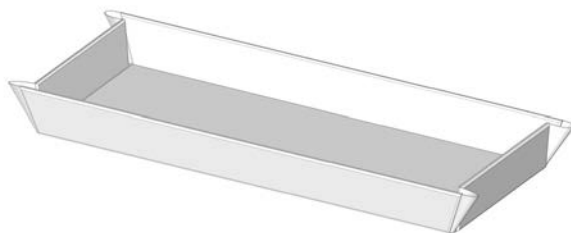


R9414717, R9434717  
R9454717, R9464717

R9414721, R9434721  
R9454721, R9464721



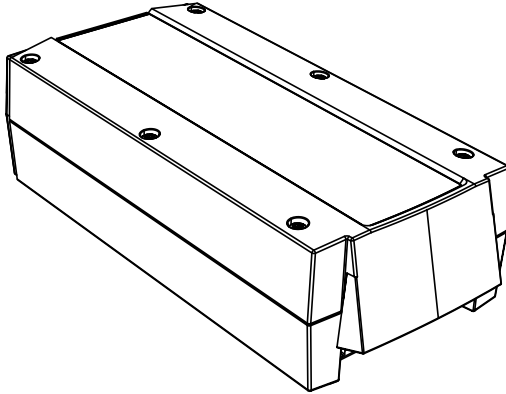
R844721



R844717

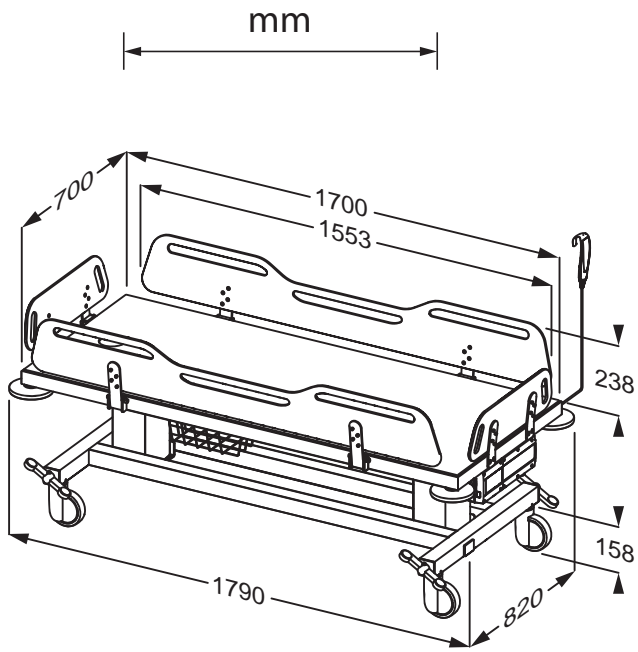


R844521

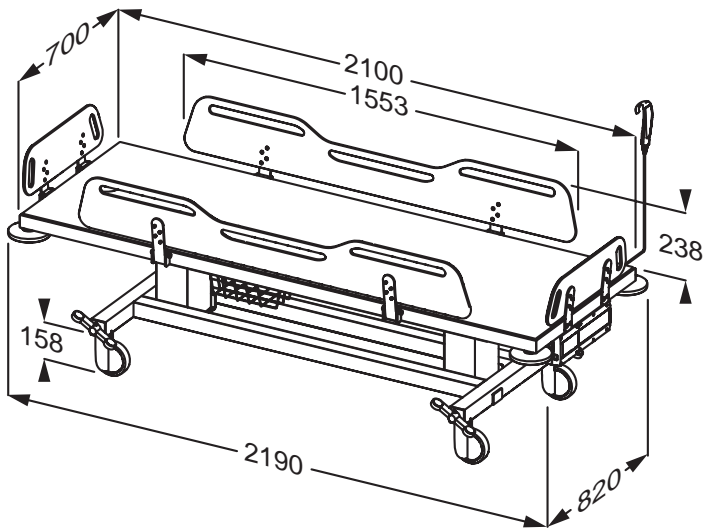


V6361

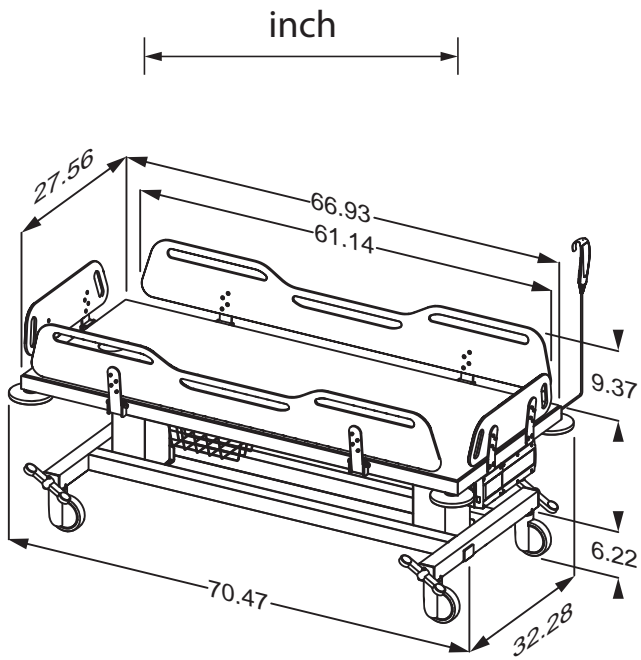




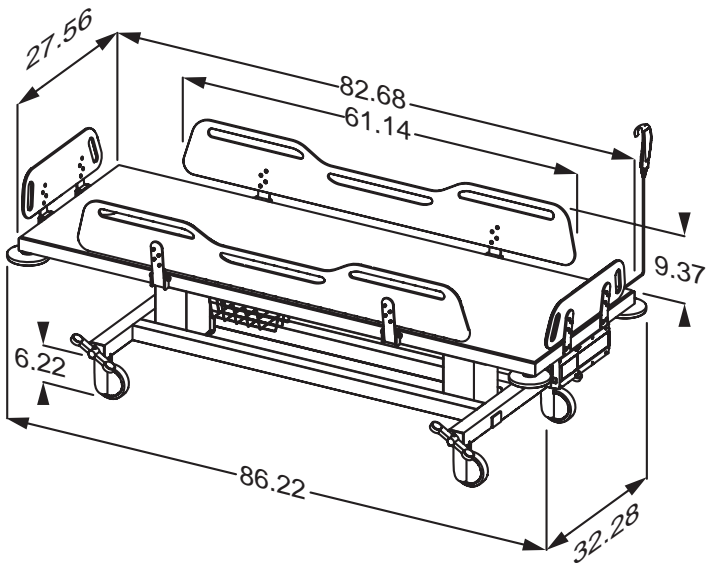
R9414717, R9434717, R9454717, R9464717



R9414721, R9434721, R9454721, R9464721



R9414717, R9434717, R9454717, R9464717



R9414721, R9434721, R9454721, R9464721

# Content

Symbols used in this manual . . . . .	12
General safety . . . . .	14
Safety distances . . . . .	15
Intended use . . . . .	17
Intended operator profile . . . . .	17
Intended user profile . . . . .	17
Operating environment . . . . .	17
Contraindications for use . . . . .	18
Biocompatibility . . . . .	18
Operating instructions . . . . .	19
Safety brakes . . . . .	19
Moving . . . . .	20
Side supports . . . . .	21
Height adjustment . . . . .	22
Tilt function . . . . .	23
Resetting . . . . .	23
Charging the battery . . . . .	24
Accessories . . . . .	26
Shower mattress . . . . .	26
Head rest . . . . .	28
Cleaning . . . . .	29
Electromagnetic compatibility . . . . .	30
Electromagnetic emissions . . . . .	30
Electromagnetic immunity . . . . .	31
Product label . . . . .	32
Storage and transportation . . . . .	34
Troubleshooting . . . . .	34
Disposal and recycling . . . . .	35

en

# Symbols used in this manual

The following symbols are used in this manual as well as the associated documentation supplied with the product.



**WARNING** indicates a potentially hazardous situation which, if not avoided, could result in death or serious injury.



**CAUTION** indicates a potentially hazardous situation which, if not avoided, may result in minor or moderate injury. It may also be used to alert against unsafe practices.



**IMPORTANT** indicates important information about handling and use of the product.



**NOTICE** is used to address practices not related to personal safety.



Head injury warning



Hand injury warning



Genitalia injury warning



Feet injury warning



Do not leave the patient unattended.



Compatible products



Spare parts



Max. user weight



Article number/ versions



Product weight



Electrical data

en

## General safety

### **WARNING**

- Read and understand the manual completely before use. Keep the manual close to the unit.
- Comply with this manual to avoid accidents involving serious personal injury.
- Never use or handle this product in other ways than are specified in this manual, as this can put your safety at risk and cause damage to the product.
- Make sure that everyone who is to install or use the product and its systems has the necessary information and access to this manual.

### **CAUTION**

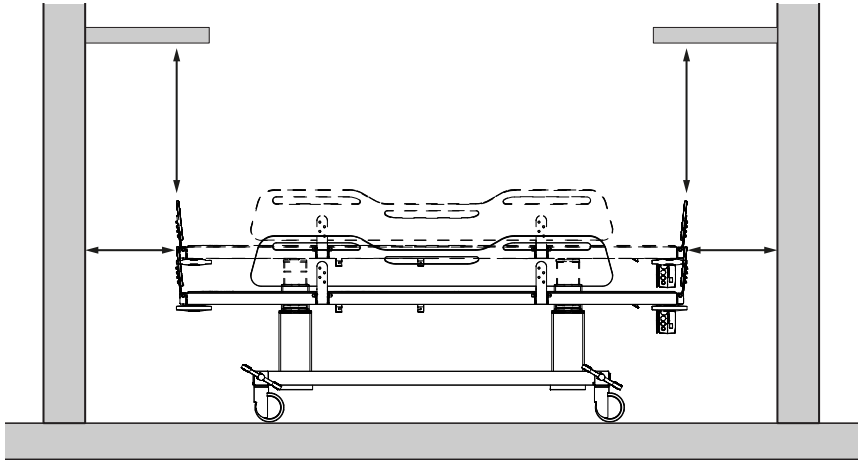
- Please comply with these instructions to avoid the product becoming damaged or destroyed.
- Do not perform repairs, disassembly, or assembly operations, extensions, re-adjustments or modifications to this product. These must be carried out by Pressalit or by persons authorized by Pressalit only.
- Never allow children to operate this product unless under supervision. The product is not intended for play.
- Never use the product if it is defective or damaged. Do not use a defective product before it has been repaired.







### **NOTICE**

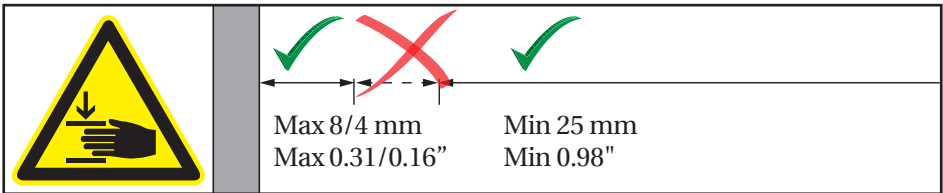
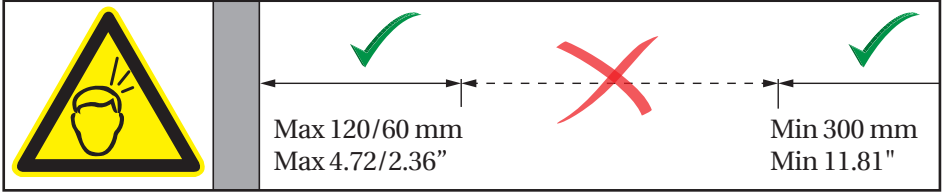
- The information in this manual is based on correct fitting of the product in accordance with our mounting instruction.
- Pressalit cannot be held liable if the product is used in any way which differs from that described in the guide.
- We reserve the right to amend this manual without prior notice.

# Safety distances

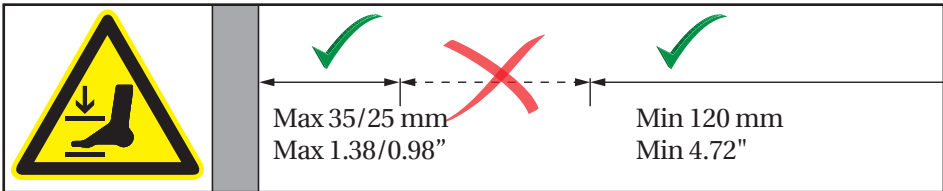
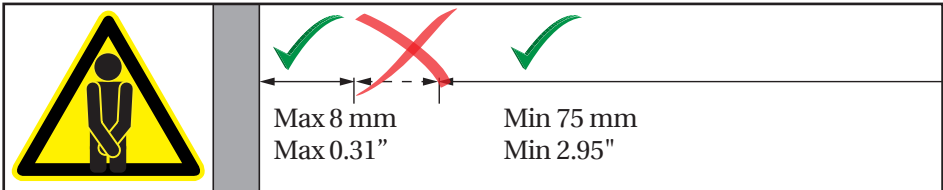
Make sure that the unit is at safe distance from surrounding objects. Check the distances before any use.



ISO 17966:2016		
	Max 120 mm (4.72") Min 300 mm (11.81")	Max 60 mm (2.36") Min 300 mm (11.81")
	Max 8 mm (0.31") Min 25 mm (0.98")	Max 4 mm (0.16") Min 25 mm (0.98")
	Max 8 mm (0.31") Min 75 mm (2.95")	Max 8 mm (0.31") Min 75 mm (2.95")
	Max 35 mm (1.38") Min 120 mm (4.72")	Max 25 mm (0.98") Min 120 mm (4.72")



en



 **WARNING**

If the unit moves within the safety distances, you must keep an especially close eye on surrounding people and objects to avoid crushing hazards.



## Intended use

This product is intended for bathing a person who is unable to stand or sit. The person is lying horizontally on the shower trolley.

## Intended operator profile

The product is to be used by personnel trained in health care and trained in washing a person in their care.

## Intended user profile

The product can be used by all – adults, children, young, old, whose weight does not exceed the **maximum load of 200 kg / 440 lbs.**

## Operating environment

For indoor use in a wet environment, such as a bathroom or wash room. The product is intended to be used at room temperature in public changing places, schools, private homes, nursing homes and hospitals under normal working conditions.



The surface of the product may become hot and / or cold if exposed to external sources of heat or cold (eg sunlight or frost).

## NOTICE

Any serious incident that has occurred in relation to the product should be reported to the manufacturer and the health authorities.

## **Contraindications for use**

It is not recommended that pregnant women are bathed in the shower change trolley.

It is not recommended that patients with infusion or insulin pump, inflammatory skin diseases or patients in feverish conditions are bathed in the shower change trolley.

Patients with cardiac insufficiency, cardiovascular diseases, craniocerabral injury, open wounds, feed or drain lines (e.g. catheter, drainage tube) may be bathed in the shower change trolley only after consulting with the attending physician.

Do not use if the patient's weight exceeds 200 kg / 440 lbs.

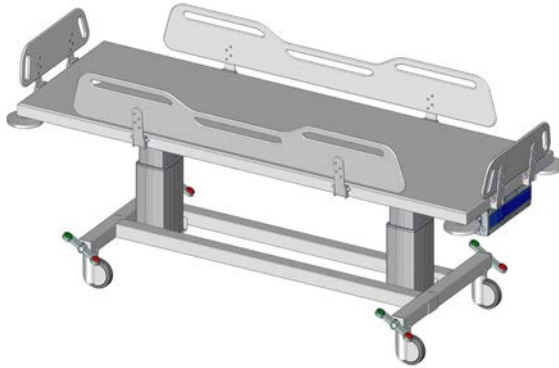
## **Biocompatibility**

The materials in contact with the skin of the patient or the user during the changing procedure, have been tested for their content of harmful substances according to ISO 10993 Biocompatibility, and are therefore considered suitable for this purpose.

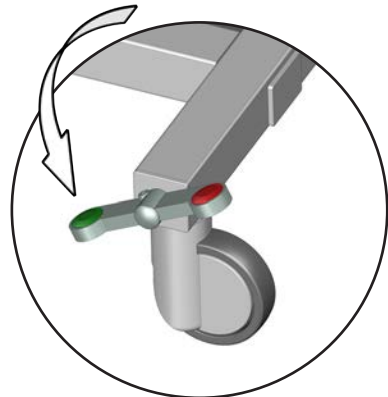
# Operating instructions

## Safety brakes

The shower change trolley is equipped with safety brakes on all four castor wheels to ensure that it cannot move unintentionally.



**To lock the brakes:** Step on the red button on one of the four rocker pedals to lock the brakes on all four wheels.

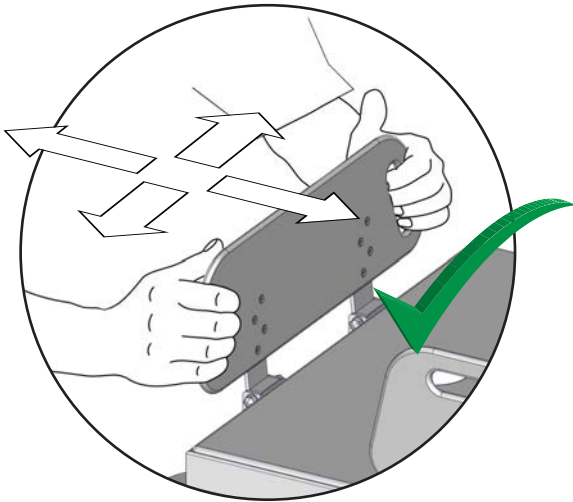
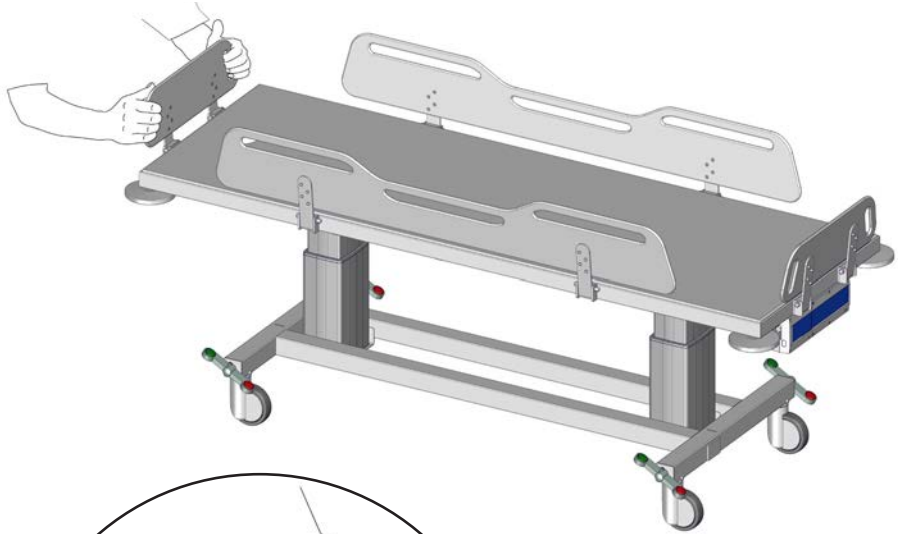


**To unlock the brakes:** Step on the green button on one of the four rocker pedals to unlock the brakes on all four wheels.



Always ensure that the brakes are locked when transferring a patient to and from the shower change trolley.

## Moving



en

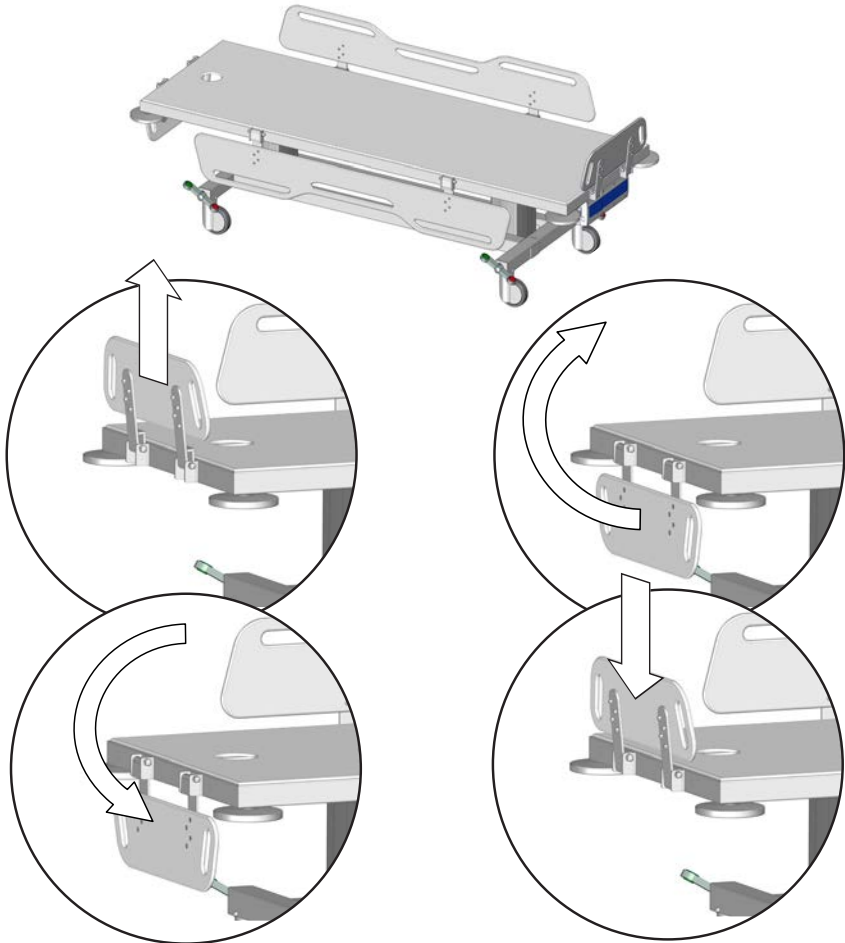
Use the cut-out grips on the side supports when moving the shower change trolley. Push straight ahead in the desired direction. Do not twist or turn the side support.



**Do not leave the patient unattended.**

## Side supports

The side supports can be folded up and down individually for easy transfer of the patient. The end supports can be folded up and down individually for easy access to the patient's feet/legs (putting on stockings, etc).



**To fold down:** Lift the side support upwards to unlock it, and swing it down.

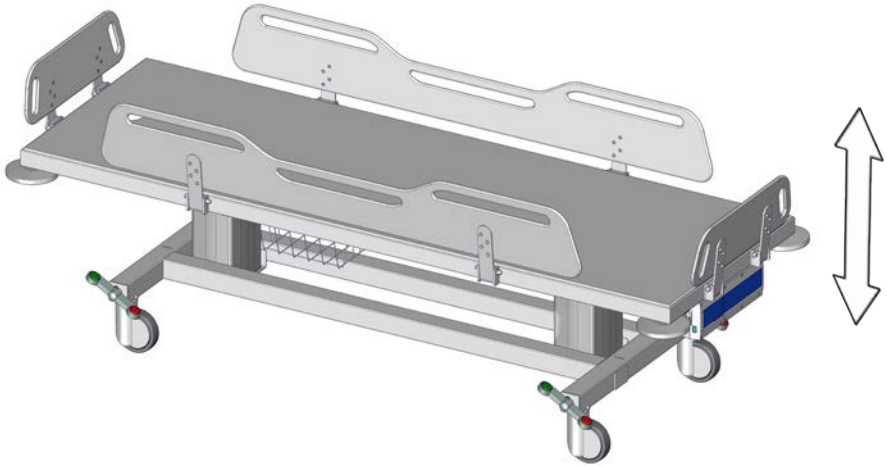
**To fold up:** Swing the side support up and push it down to lock it in place.



**WARNING**

When the trolley is in use, make sure that all side supports are erect and in locked position to protect the patient from falling out of the unit.

## Height adjustment



The shower change trolley can be adjusted 400 mm / 15.75" up and down.

**Max user weight: 200 kg / 440 lbs**

**Max load: 250 kg / 550 lbs**

en The height adjustment is controlled by the wired remote control unit.



Press and hold the Up button to raise the unit.  
When the button is released, the motion stops.



Press and hold the Down button to lower the unit.  
When the button is released, the motion stops.

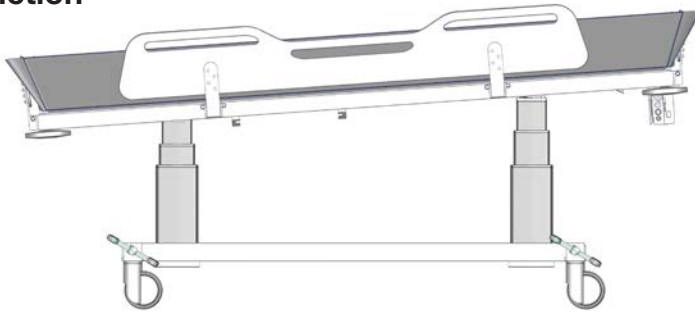


**To avoid the risk of strangulation, make sure that the wired remote control is placed in its holder when not in use.**



**Take care to avoid injury to hands, feet and head when in the vicinity of moving mechanical parts.**

## Tilt function



The shower change trolley can be tilted approximately 3 degrees to allow the water to drain when using the optional shower mattress.

The tilt function is controlled by the wired remote control unit.



Press and hold the Tilt up button to tilt the unit. The motion stops when the unit is tilted approx. 3 degrees, or when the tilt up button is released.



Press and hold the Tilt down button to level the unit. The motion stops when the unit is level, or when the tilt down button is released.

en

It is still possible to raise and lower the unit when it is in tilted position.

## Resetting

If the lifting function does not work properly or if the two lifting columns are out of sync, try resetting the lifting system.



Press and hold the up button and the down button simultaneously.

The columns will move down after a few seconds while a beep tone is heard.

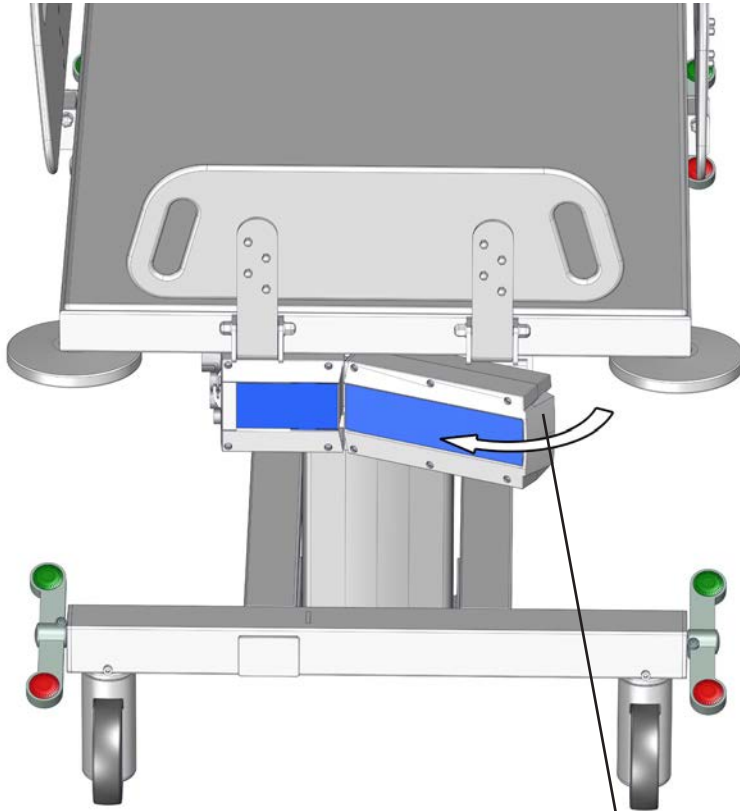


Keep holding both buttons until the beep tone disappears.

The lifting columns are now reset.

## Charging the battery

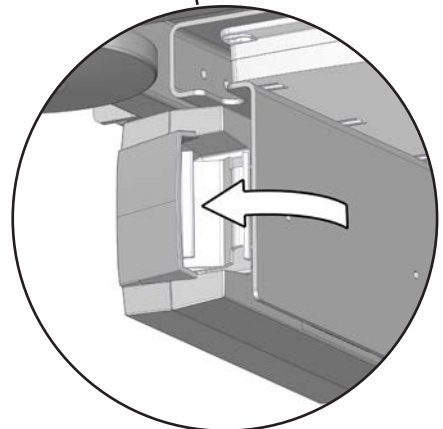
The battery can height adjust the shower change trolley up to 30 times when fully charged.



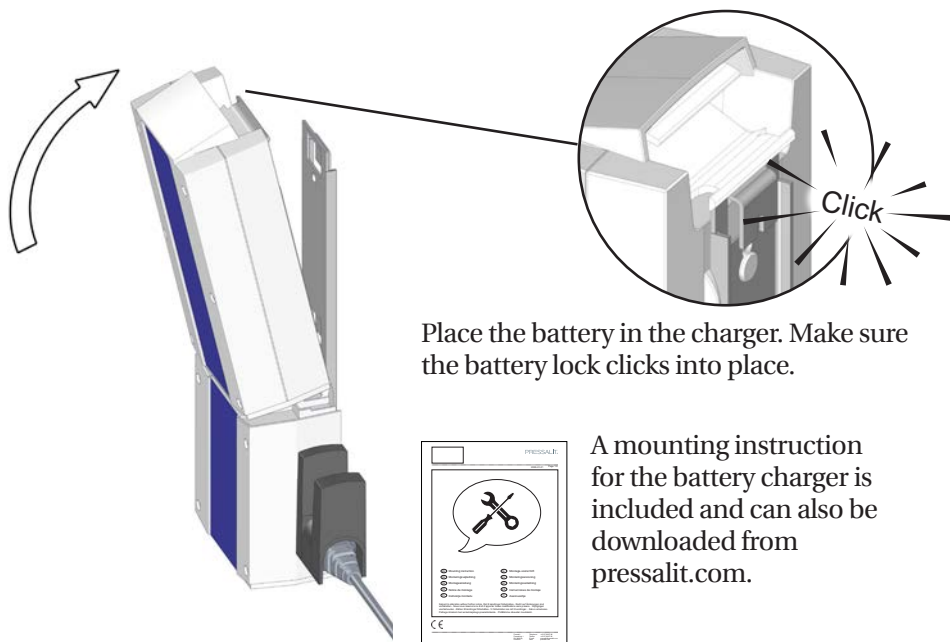
en

Release the lock to remove the battery for charging.

Reattach the battery after charging before placing the patient on the shower change trolley.







Place the battery in the charger. Make sure the battery lock clicks into place.

A mounting instruction for the battery charger is included and can also be downloaded from [pressalit.com](http://pressalit.com).

## CAUTION

When the battery is running low, a beep tone is heard when you operate the remote control. Although there is still enough power to raise or lower the unit, it is of utmost importance that you charge or replace the battery immediately. Failure to do so will soon cause the lifting function to stop working.

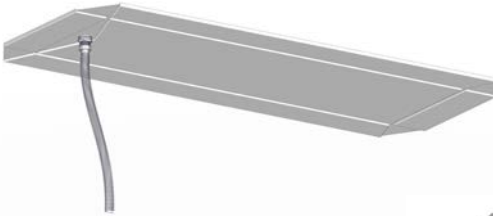
## IMPORTANT

If the battery has not been used for more than a week, it enters into standby mode to save power and to protect the battery. Place the battery in the charger for approx. 15 seconds to exit the standby mode before use. Please note that there is no audio signal to indicate the standby mode or to indicate exit of standby mode. If there is still no power after exit of standby mode, the battery needs to be charged. The battery must be recharged every 6 months.

# Accessories

## Shower mattress

The shower change trolley can be used as a bathtub with the optional shower mattress (R844721 and R844717).

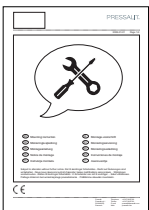


Attach the drain hose to the mattress drain, as per the included mounting instruction.

Pull the drain hose through the shower trolley's drain hole, fold the mattress and place it on the trolley. Make sure that all four side supports on the shower trolley are folded up and locked.



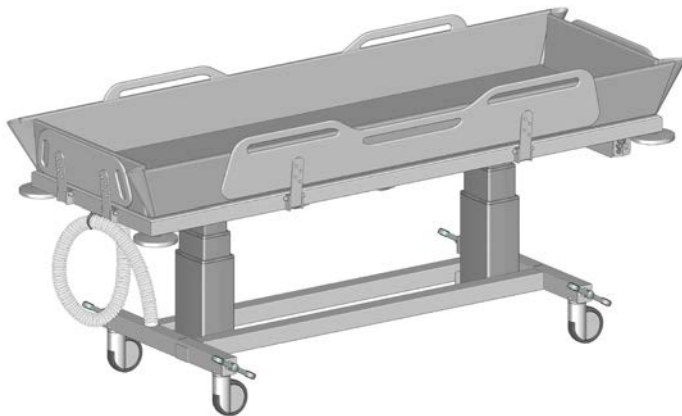
en



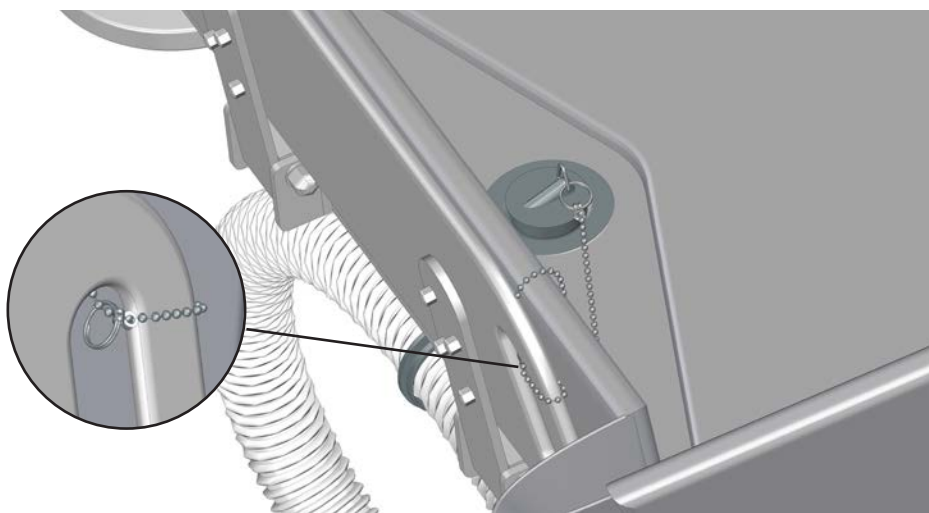
An instruction for attaching the drain hose is included with the shower mattress and can also be downloaded from [pressalit.com](http://pressalit.com).

## IMPORTANT

- Check for damages on the mattress on a regular basis. This will prevent infection of the mattress.
- Use gloves while handling the waste hose for the mattress. It might have contact to human waste.



Coil up the hose and attach it to the hose hanger.



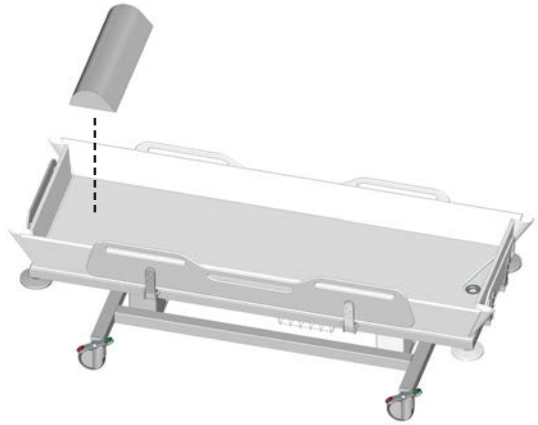
Attach one key ring of the chain to the plug. Make a loop around one of the footboard handles with the other ring.

## **IMPORTANT**

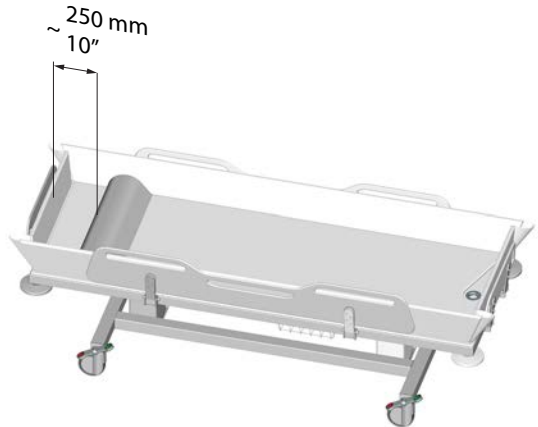
Do not move the trolley when there is water in the shower mattress.

## Head rest

The shower mattress can be used with the optional headrest for optimal comfort (R844521).



Place the headrest at the head end of the shower trolley, approx. 250 mm (10") from the headboard.



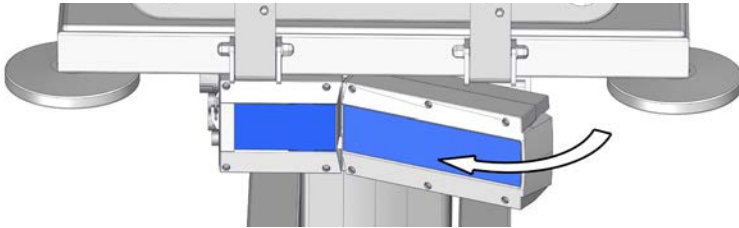
The mattress and the head rest are to be cleaned with hot water or a mild soapy cleaning agent. A list of suitable cleaning agents/disinfectants tested by Pressalit can be found on [pressalit.com](http://pressalit.com)

## IMPORTANT

Check for damages on the head rest on a regular basis. This will prevent infection of the head rest.

# Cleaning

Remove the battery before cleaning the shower change trolley.



The product is to be cleaned with hot water or a mild soapy cleaning agent. A list of suitable cleaning agents/disinfectants tested by Pressalit can be found on [pressalit.com](http://pressalit.com).

## CAUTION

Always read the material safety data sheet (MSDS) and supplied instructions of the cleaning, disinfecting or de-scaling agent and comply with instructions for safe use, dilution, rinsing, drying, handling and storage of the agent.

## IMPORTANT

- Do not use an autoclave or other type of steam cleaner.
- Avoid aggressive cleaning agents containing acids.
- Never spray the product directly with a high pressure cleaner.
- For surface disinfection, chlorine-based disinfectants may be used according to the product specification and safety precautions for these products.

## CAUTION

Do not perform any type of cleaning or disinfection of the shower change trolley while the patient is lying on it.

# Electromagnetic compatibility



- Use of accessories, transducers and cables other than those specified or provided by the manufacturer could result in increased electromagnetic emissions or decreased electromagnetic immunity of this equipment and result in improper function.
- Portable RF communications equipment (including peripherals such as antenna cables and external antennas) should be used no closer than 30 cm (12 inches) to any part of the unit, including its cables, to avoid any degradation of the performance of this unit.
- Use of this equipment adjacent to or stacked with other equipment should be voided because it could result in improper operation. If such use is necessary, this equipment and the other equipment should be observed to verify that they are operating normally.

## en Electromagnetic emissions

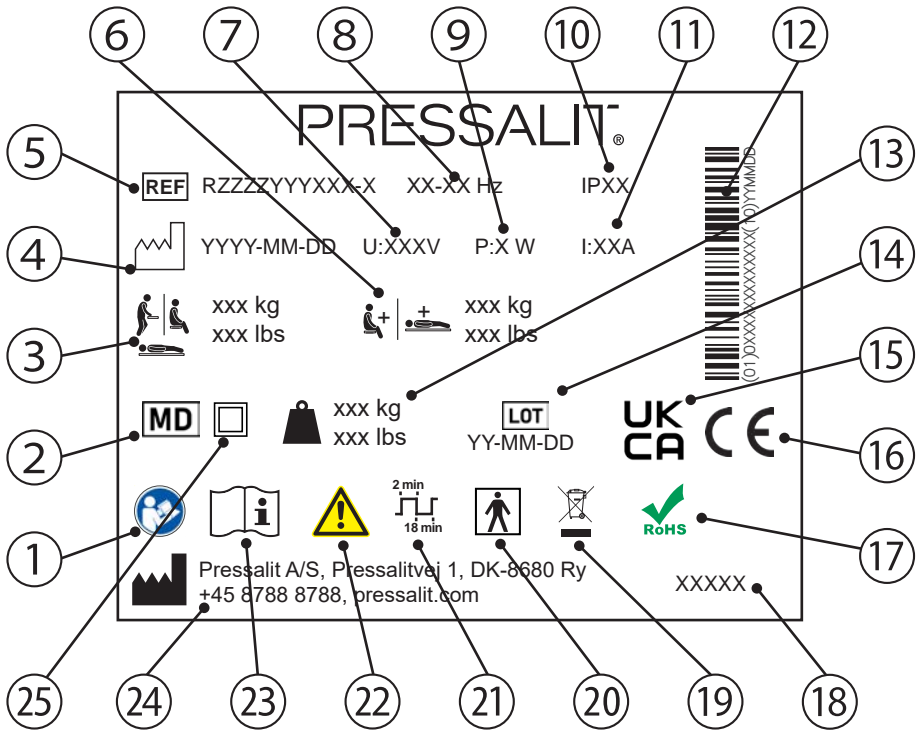
<b>Test standard</b>	<b>Test level / details</b>	<b>Test results</b>
60601-1-2 ch. 7.1.7 - CISPR 14	30MHz – 1GHz	Passed

## Electromagnetic immunity

Test standard	Compliance level	Test level / details	Test results
EN60601-1-2 and EN17966 (Home healthcare environment)	=> 10V/m 2,7GHz	15V/m Frequency range: 80MHz- 6GHz 1% step size	Passed
EN60601-1-2 (Proximity fields from RF wireless communications equipment)	=> 10V/m 2,7GHz	15V/m Frequency range: 385 - 5785 MHz	Passed
IEC 61000-4-4 (Electrical fast transients / bursts)		Quick pulse simulation	Passed
Conducted disturbances induced by RF	Pulse subjection, 6V	Pulse subjection, 10V	Passed
Electrostatic discharge		Statically charged person discharge on unit, 8kV and 15kV	Passed (*)

\* If a statically charged person discharges on or near the shower trolley control box, a fault may occur in the lifting columns, and a reset must be performed. See "**Resetting**".

# Product label



- ① Consult manual for use

---

- ② Medical device

---

- ③ Maximum user weight

---

- ④ Production date

---

- ⑤ Article number

---

- ⑥ Max load

---

- ⑦ Mains voltage

---

- ⑧ Frequency

---

- ⑨ Maximum power consumption



⑩ IP class

---

⑪ Electric Current

---

⑫ GS1-128 barcode

---

⑬ Product weight

---

⑭ Batch code

---

⑮ UK Conformity Assessed

---

These products are CE-marked in accordance with relevant requirements in:

- ⑯
- Regulation (EU) 2017/745 (5 April 2017) on medical devices.
  - Council Directive 2006/42/EC (of 17 May 2006) on machinery.
  - Council Directive 2011/65/EC (of 8 June 2011) on RoHS.

A declaration of conformity can be found at [pressalit.com](http://pressalit.com)

---

⑰ This product does not contain any of the hazardous substances mentioned in the Council Directive 2011/65/EC on RoHS.

---

⑱ Product name (if any)

---

⑲ Do not dispose as unsorted municipal waste. The product should be collected separately and returned to the designated recycling service.

---

⑳ Type BF applied part Part of the product in normal use necessarily comes into physical contact with the patient to perform its function  
The product complies with requirements of IEC 60601-1 to provide protection against electric shock

---

㉑ Duty cycle

---

㉒ Consult the manual for important cautionary information such as warnings and precautions

---

㉓ Consult manual for use

---

㉔ Name and address of manufacturer

---

㉕ Double insulated electrical appliance

---

# Storage and transportation

- The temperature for transportation and storage of the unit must be between 5 and 40 degrees Celsius.
- The unit must always be transported in its original packaging.
- Avoid subjecting the packaging to shocks and impacts.
- Do not use the product if the packaging is broken or damaged.

# Troubleshooting

Symptom	Cause	Action
No power.	Battery depleted.	Recharge the battery. See " <b>Charging the battery</b> ".
No power.	Battery in standby mode.	Place the battery in the charger for approx. 15 seconds. See " <b>Charging the battery</b> ".
The shower trolley is skewed even though the tilt function is not activated.	The lifting columns are out of sync.	Reset the lifting columns. See " <b>Resetting</b> ".
The shower trolley cannot be raised or lowered.	If a statically charged person discharges near the shower trolley control box, a fault may occur in the lifting columns.	Reset the lifting columns. See " <b>Resetting</b> ".

Contact Pressalit A/S or your local dealer if the problem cannot be remedied. Do not attempt to repair the product yourself, as this will invalidate the guarantee.

Expected service life of the shower change trolley is 10 years.

# Disposal and recycling

The unit contains reusable materials. There are no known hazards or risks associated with disposal of the product. All components can be discarded after having been cleaned and disinfected.

When disposing of the product, we recommend that it be disassembled and broken down into different waste groups for recycling or combustion.

The following table provides information on the recycling and handling of the product.

<b>Recyclable components</b>	<b>Material</b>
Steel	Steel can be recycled by being melted down and included as a secondary material in the production of new steel.
Plastics	Use plastic sorting and recycling systems where they are locally available, otherwise incinerating plastic has the added benefit of generating energy which can be used for, for example, combined heat and power production.
Electronics	The electronic components should be collected separately and returned to the designated recycling service.
Batteries	Disposal of the battery must be in accordance with local regulations.

en

# Indhold

Symboler, der er anvendt i denne vejledning	37
Generel sikkerhed	39
Sikkerhedsafstande	40
Tilsluttet brug	42
Tilsluttet personaleprofil	42
Tilsluttet brugerprofil	42
Betjeningsmiljø	42
Kontraindikationer for brug	43
Biokompatibilitet	43
Betjeningsinstruktioner	44
Sikkerhedsbremser	44
Flytning af lejet	45
Sidestøtter	46
Højderregulering	47
Vippefunktion	48
Nulstilling	48
Opladning af batteriet	49
Tilbehør	51
Vaskemadras	51
Hovedstøtte	53
Rengøring	54
Elektromagnetisk kompatibilitet	55
Elektromagnetiske emissioner	55
Elektromagnetisk immunitet	56
Produktmærkning	57
Opbevaring og transport	59
Fejlfinding	59
Bortskaffelse og genbrug	60

# Symboler, der er anvendt i denne vejledning

Følgende symboler er anvendt i denne vejledning og i den tilhørende dokumentation, der følger med produktet.



**ADVARSEL** angiver en potentielt farlig situation, som, hvis den ikke undgås, kan medføre dødsfald eller alvorlig personskade.



**FORSIGTIG** angiver en potentielt farlig situation, som, hvis den ikke undgås, kan medføre større eller mindre personskade. Det kan også bruges til at advare om usikre fremgangsmåder.



**VIGTIGT** angiver vigtige oplysninger om håndtering og anvendelse af produktet.



**BEMÆRK** vedrører fremgangsmåder, der ikke er forbundet med personlig sikkerhed.

dk



Advarsel om hovedskade



Advarsel om håndskade



Advarsel om skade på  
kønsdele



Advarsel om  
fodskade



Patienten må ikke være uovervåget.



Kompatible produkter



Reservedele



Maks. brugervægt



Produktnummer/-versioner



Produktvægt



Data angående elektricitet

dk

# Generel sikkerhed

## **ADVARSEL**

- Læs og forstå hele vejledningen før brug. Opbevar vejledningen tæt på produktet.
- Følg denne vejledning for at undgå uheld og alvorlig personskade.
- Dette produkt må aldrig bruges eller håndteres på anden måde end som angivet i denne vejledning, da dette vil kunne udgøre en risiko for din sikkerhed og beskadige produktet.
- Sørg for, at alle, der installerer eller bruger dette produkt og dets systemer, har de nødvendige oplysninger samt adgang til denne vejledning.

## **FORSIGTIG**

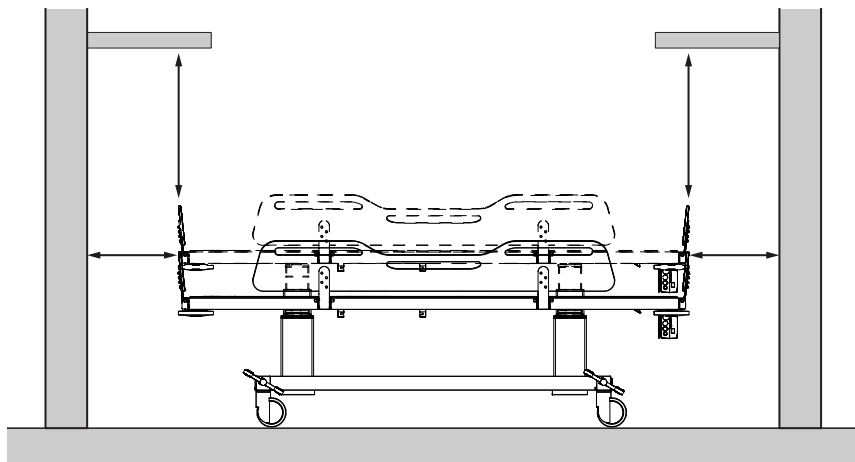
- Følg disse instruktioner for at undgå, at produktet beskadiges eller ødelægges.
- Der må ikke foretages reparationer, demontering, samlinger, udvidelser, tilpasninger eller ændringer på dette produkt. Dette må kun udføres af Pressalit eller af personer, som er autoriseret af Pressalit.
- Lad ikke børn betjene dette produkt uden opsyn. Produktet er ikke beregnet til leg.
- Produktet må ikke benyttes, hvis det er defekt eller beskadiget. Et defekt produkt må ikke anvendes, før det er repareret.

## **BEMÆRK**







- Oplysningerne i denne vejledning er baseret på korrekt justering af produktet i overensstemmelse med vores monteringsvejledning.
- Pressalit kan ikke holdes ansvarlig, hvis produktet bruges på andre måder end som beskrevet i vejledningen.
- Vi forbeholder os ret til at ændre denne vejledning uden forudgående varsel.

# Sikkerhedsafstande

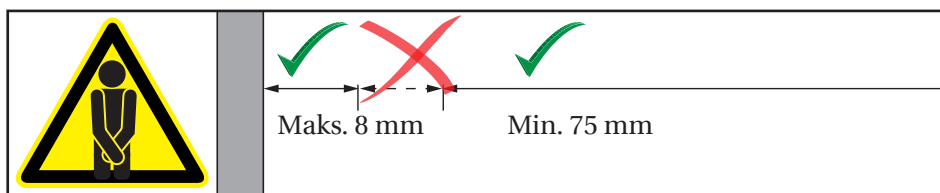
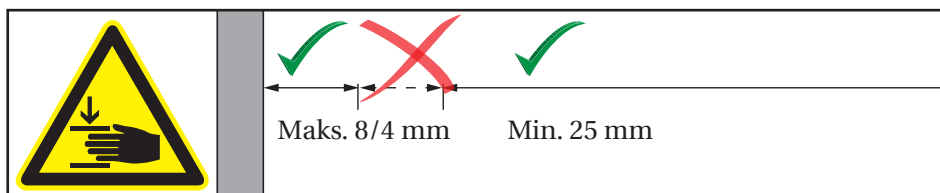
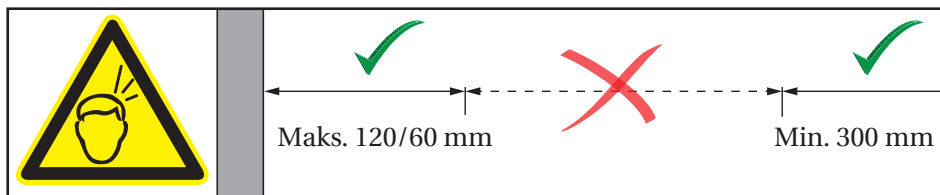
Sørg for, at lejet er placeret i en sikker afstand fra omgivende genstande. Kontrollér afstandene før hver brug.



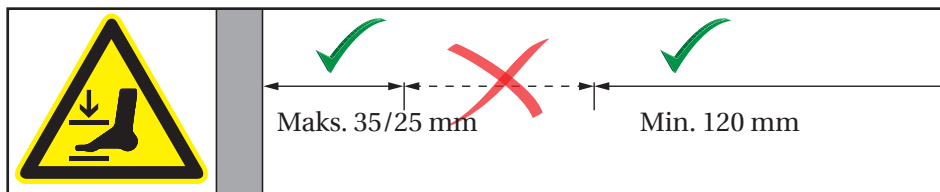
dk

ISO 17966:2016		
	Maks. 120 mm Min. 300 mm	Maks. 60 mm Min. 300 mm
	Maks. 8 mm Min. 25 mm	Maks. 4 mm Min. 25 mm
	Maks. 8 mm Min. 75 mm	Maks. 8 mm Min. 75 mm
	Maks. 35 mm Min. 120 mm	Maks. 25 mm Min. 120 mm





dk



 **ADVARSEL**

Hvis enheden bevæges inden for sikkerhedsafstandene, skal du være ekstra opmærksom på personer og genstande omkring enheden for at undgå knusningsfarer.

## Tilsigtet brug

Dette produkt er beregnet til at vaske en person, som ikke kan stå op eller sidde ned. Personen ligger vandret på det mobile bruseleje.

### Tilsigtet personaleprofil

Produktet skal bruges af personale, der er uddannet inden for sundhedsplejen og trænet i at vaske en person.

### Tilsigtet brugerprofil

Produktet kan anvendes af alle – voksne, børn, unge og gamle, hvis vægt ikke overstiger den **maksimal belastning på 200 kg**.

### Betjeningsmiljø

Til indendørs brug i våde omgivelser, som f.eks. et badeværelse eller vaskerum. Produktet er beregnet til anvendelse ved stuetemperatur, på skiftsteder i offentligt regi, på skoler, i private hjem, på plejehjem og hospitaler under normale arbejdsforhold.



Produktets overflade kan blive varm og/eller kold, hvis den udsættes for eksterne varme- eller kuldekilder (f.eks. sollys eller frost).

## BEMÆRK

Enhver alvorlig hændelse, der opstår i relation til produktet, skal rapporteres til producenten og sundhedsmyndighederne.

## Kontraindikationer for brug

Det anbefales ikke at bruge det mobile bruse-/skifteleje til vask af gravide kvinder.

Det anbefales ikke at bruge det mobile bruse-/skifteleje til vask af patienter med infusions- eller insulinpumpe, sygdomme med hudbetændelse eller patienter med feberlidelser.

Man kan eventuelt vaske patienter med hjerteinsufficiens, hjerte-karsygdomme, kraniocerebral skade, åbne sår, tilførsels- eller udtagslanger (f.eks. kateter, drænageslange) med det mobile bruse-/skifteleje, men kun efter rådføring med den behandlende læge.

Må ikke bruges, hvis patientens vægt overstiger 200 kg.

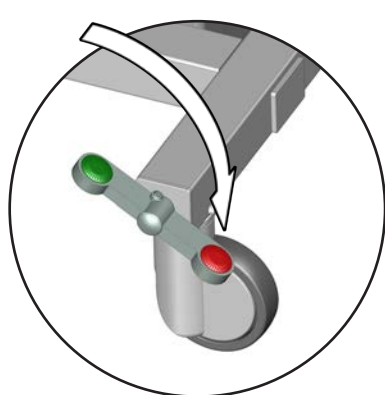
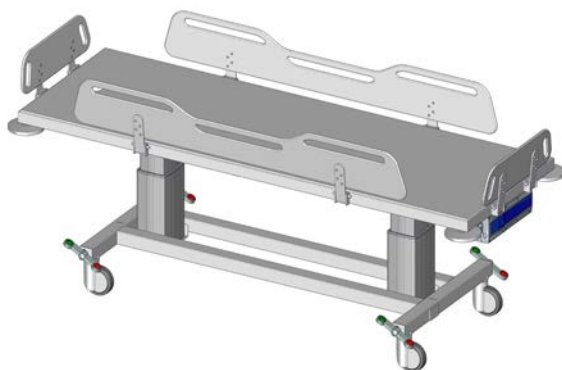
## Biokompatibilitet

De materialer, der kommer i kontakt med patientens eller brugerens hud under skifteproceduren, er blevet testet for deres indhold af skadelige stoffer i henhold til ISO 10993 om biokompatibilitet og anses derfor for at være passende til dette formål.

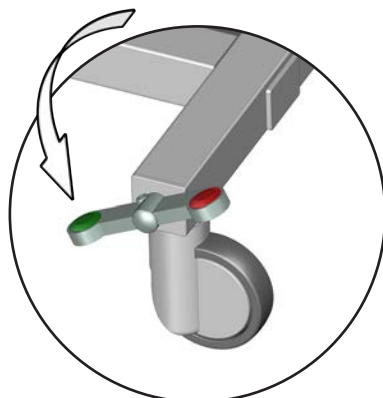
# Betjeningsinstruktioner

## Sikkerhedsbremser

Det mobile bruse-/skifteleje er udstyret med sikkerhedsbremser på alle fire styrehjul for at sikre, at det ikke bevæger sig utilsigtet.



**Sådan låses bremserne:** Træd på den røde knap på en af de fire vippepedaler for at låse bremserne på alle fire hjul.

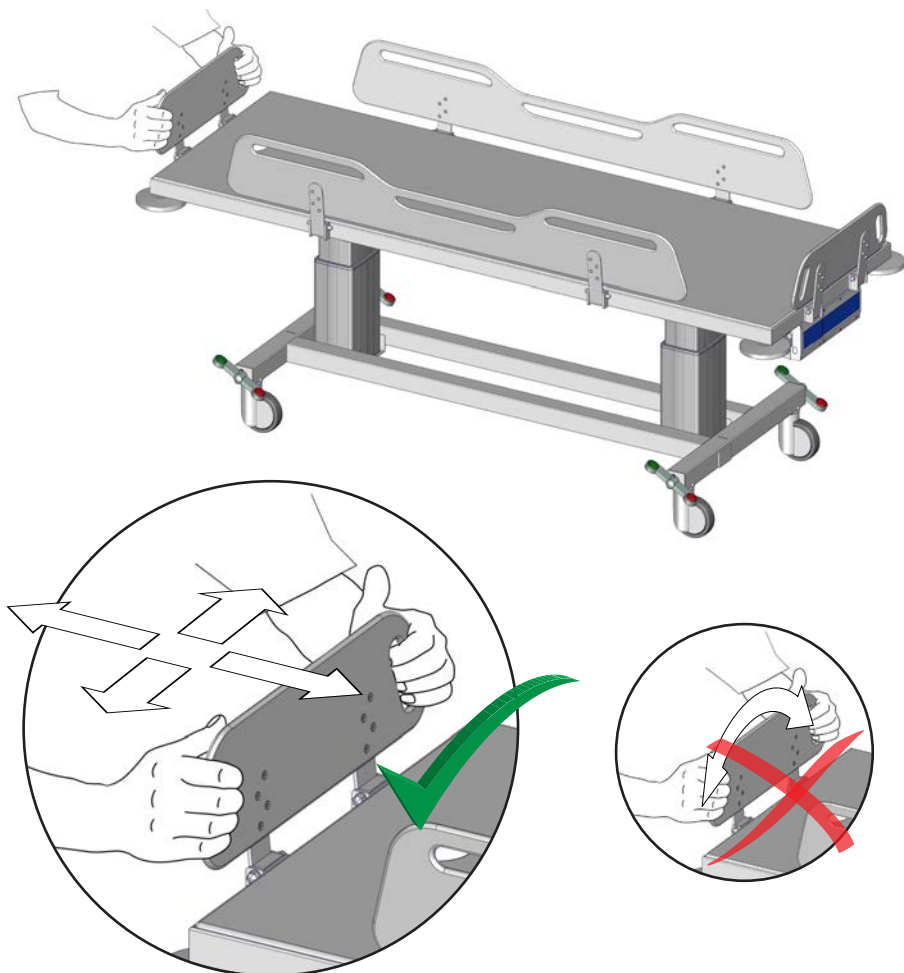


**Sådan låses bremserne op:** Træd på den grønne knap på en af de fire vippepedaler for at låse bremserne op på alle fire hjul.



Sørg altid for, at bremserne er låst ved flytning af en patient til og fra det mobile bruse-/skifteleje.

## Flytning af lejet



dk

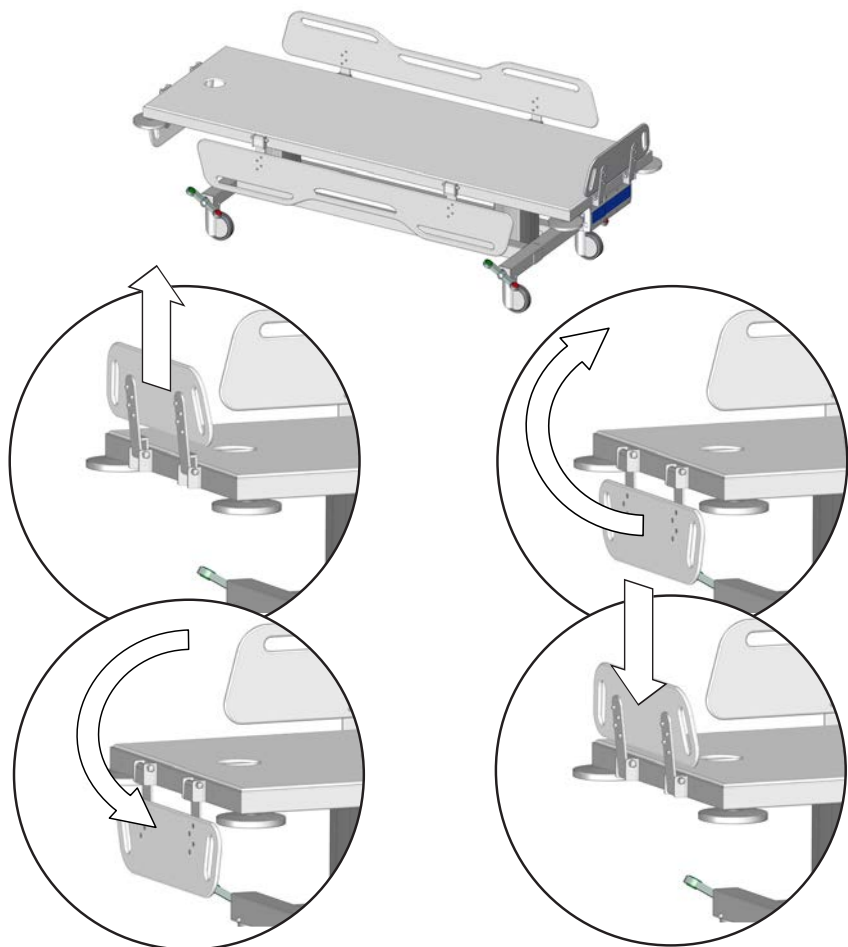
Brug udskaringshåndtagene på sidestøtterne til at flytte det mobile bruse-/skifteleje. Skub lige fremad i den ønskede retning. Vrid eller drej ikke sidestøtten.



**Patienten må ikke være uovervåget.**

## Sidestøtter

Sidestøtterne kan foldes op og ned enkeltvist, så det er nemmere at flytte patienten. Endestøtterne kan foldes op og ned enkeltvist, så det er nemmere at komme til patientens fødder/ben (for f.eks. at give vedkommende strømper på).



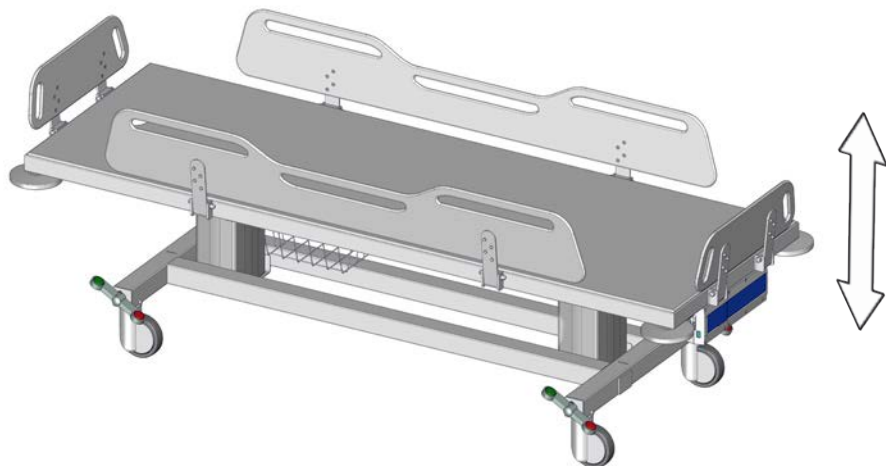
**Sådan foldes den ned:** Løft sidestøtten opad for at låse den op, og sving den ned.

**Sådan foldes den op:** Sving sidestøtten op, og pres den ned for at låse den fast.



Når det mobile leje er i brug, skal du sørge for, at alle sidestøtterne er oppe og i låst position for at beskytte patienten mod at falde ned fra lejet.

## Højderegulering



Det mobile bruse-/skifteleje kan justeres 400 mm op og ned.

**Maks. brugervægt: 200 kg**

**Maks. belastning: 250 kg**

Højdejusteringen styres med den ledningstilsluttede fjernbetjening.



Tryk og hold på knappen med pil op for at hæve lejet.  
Når knappen slippes, stopper bevægelsen.



Tryk og hold på knappen med pil ned for at sænke enheden. Når knappen slippes, stopper bevægelsen.

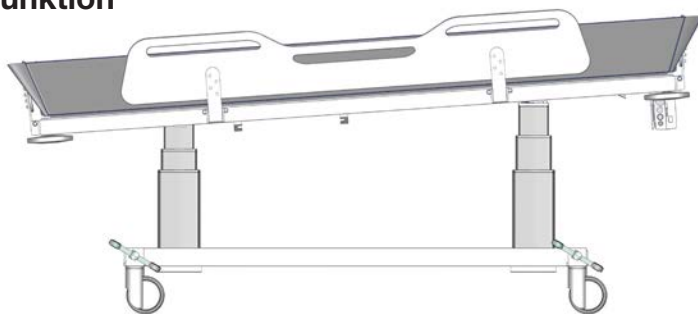


**For at undgå en kvælningsrisiko skal du sørge for, at den ledningstilsluttede fjernbetjening sidder i sin holder, når den ikke er i brug.**



**Udvis forsigtighed for undgå skader på hænder, fødder og hoved, når disse er i nærheden af bevægelige mekaniske dele.**

## Vippefunktion



Det mobile bruse-/skifteleje kan vippe ca. 3 grader, så vandet kan løbe af ved brug af den valgfrie vaskemadras.

Vippefunktionen styres med den ledningstilsluttede fjernbetjening.



Tryk og hold på knappen med vippepil op for at vippe lejet. Bevægelsen stopper, når lejet er vippet ca. 3 grader, eller når du slipper knappen med vippepil op.



Tryk og hold på knappen med vippepil ned for at føre lejet tilbage til plant niveau. Bevægelsen stopper, når lejet er plant, eller når du slipper knappen med vippepil ned.

dk

Det er stadig muligt at hæve og sænke lejet, når det er i vippet position.

## Nulstilling

Hvis løftefunktionen ikke fungerer korrekt, eller hvis de to løftesøjler ikke er synkroniserede, kan du prøve at nulstille løftesystemet.



Tryk og hold på knappen med pil op og knappen med pil ned samtidigt.

Søjlerne flyttes ned efter nogle sekunder, mens der afgives en biplyd.



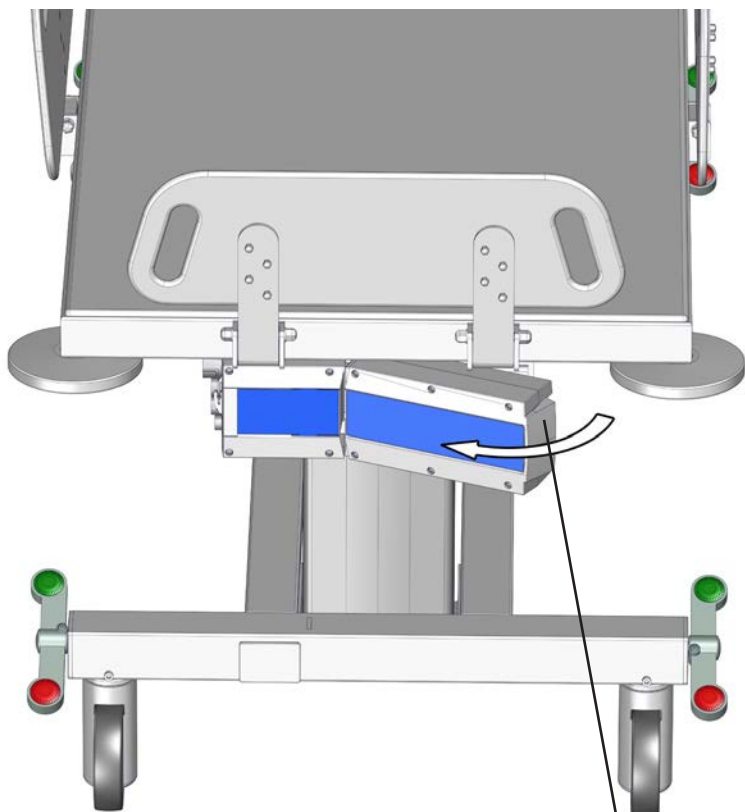
Bliv ved med at holde på begge knapper, indtil biplyden stopper.

Løftesøjlerne er nu nulstillet.



## Opladning af batteriet

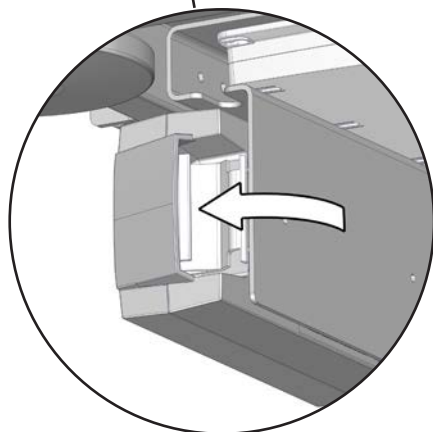
Batteriet kan højdejustere det mobile bruse-/skifteleje op til 30 gange, når det er fuldt opladet.

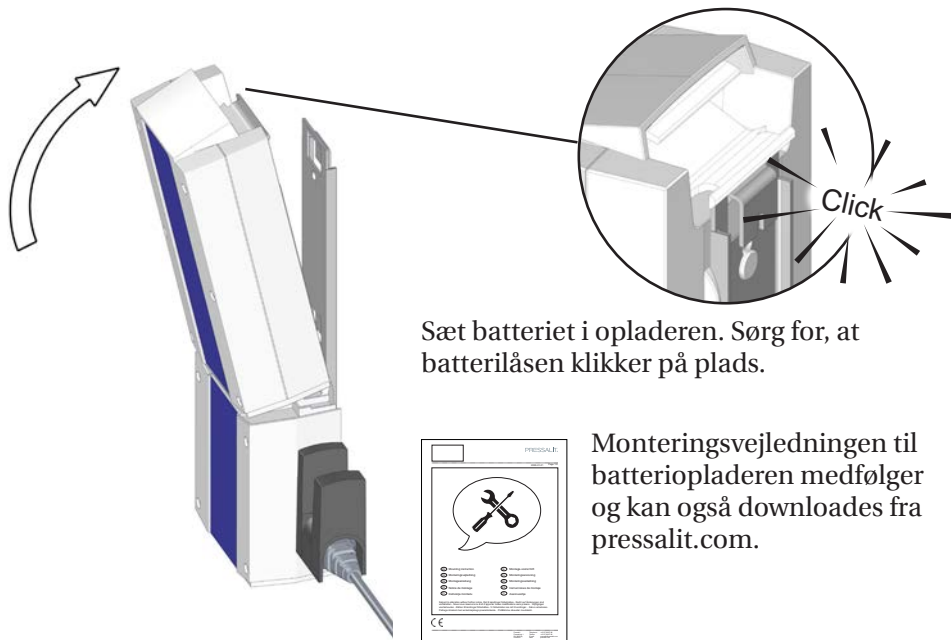


dk

Udløs låsen for at tage batteriet ud til opladning.

Sæt batteriet i igen, når det er opladet, og før patienten placeres på det mobile bruse-/skifteleje.





Sæt batteriet i opladeren. Sørg for, at batterilåsen klikker på plads.

Monteringsvejledningen til batteriopladeren medfølger og kan også downloades fra [pressalit.com](http://pressalit.com).

## **FORSIGTIG**

Når batteriet er ved at være tomt, afgives der en biplyd, når du anvender fjernbetjeningen. Selvom der stadig er strøm nok til at hæve eller sænke lejet, er det meget vigtigt, at du straks oplader eller udskifter batteriet. Hvis ikke, vil løftefunktionen snart holde op med at fungere.

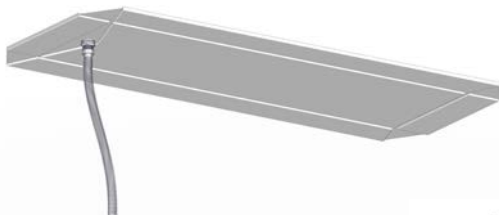
## **VIGTIGT**

Hvis batteriet ikke har været brugt i over en uge, går det i standbytilstand for at spare strøm og for at beskytte batteriet. Sæt batteriet i opladeren i ca. 15 sekunder for at afslutte standbytilstanden før brug. Bemærk, at der ikke er noget lydsignal, der angiver standbytilstanden eller angiver, at standbytilstanden er afsluttet. Hvis der stadig ikke er strøm, efter at standbytilstanden er afsluttet, skal batteriet oplades. Batteriet skal oplades hver 6. måned.

# Tilbehør

## Vaskemadras

Det mobile bruse-/skifteleje kan bruges som badekar med den valgfrie vaskemadras (R844721 og R844717).

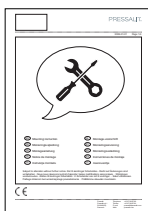


Fastgør afløbsslangen til afløbet i madrassen i henhold til den medfølgende

monteringsvejledning. Træk afløbsslangen igennem det mobile bruselejes afløbshul, fold madrassen, og placer den på det mobile leje. Sørg for, at alle fire sidestøtter på det mobile bruseleje er foldet op og låst fast.



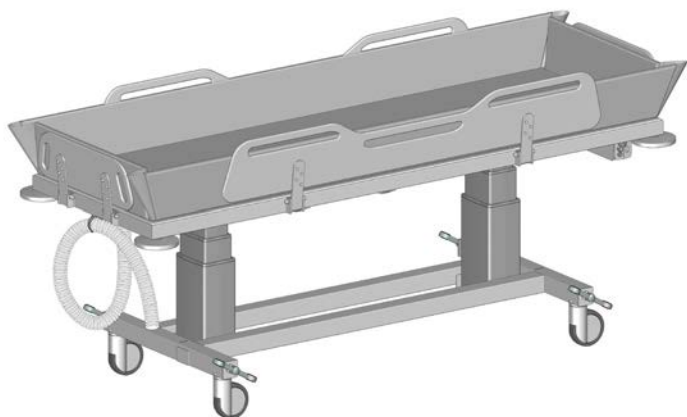
dk



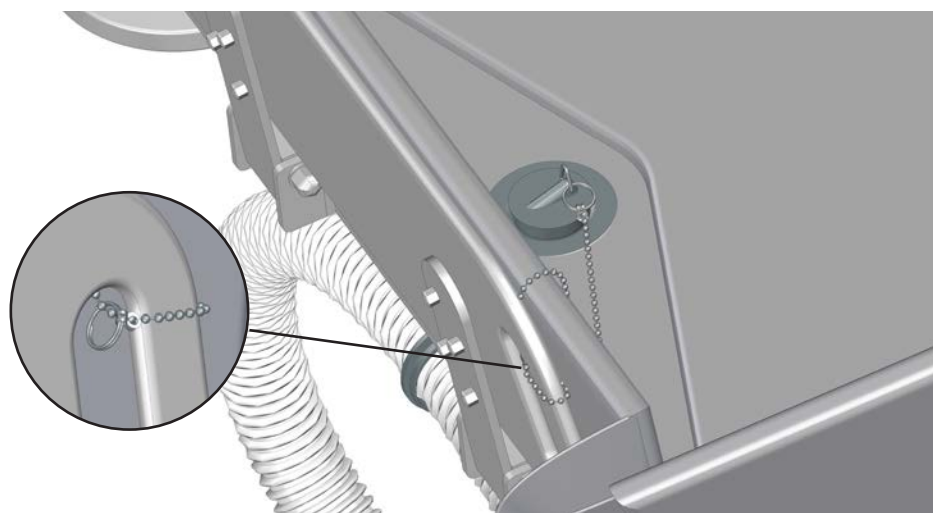
En vejledning i fastgørelse af afløbsslangen følger med vaskemadrassen og kan også downloades fra [pressalit.com](http://pressalit.com).

## VIGTIGT

- Kontrollér regelmæssigt for skader på madrassen. Dette vil forhindre infektion af madrassen.
- Brug handsker under håndtering af afløbsslangen til madrassen. Den kan komme i kontakt med kropsvæsker.



Rul slangen sammen, og hæng den op på slangeholderen.



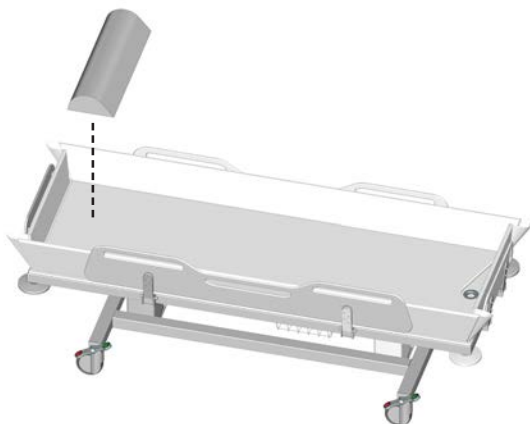
Sæt en ring fra kæden på proppen. Lav en løkke rundt om et af håndtagene i fodpladen med den anden ring.

## VIGTIGT

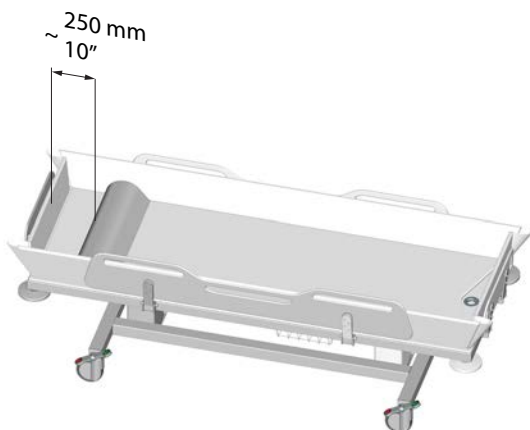
Flyt ikke det mobile leje, når der er vand på vaskemadrassen.

## Hovedstøtte

Vaskemadrassen kan bruges sammen med den valgfrie hovedstøtte for optimal komfort (R844521).



Placer hovedstøtten i hovedenden af bruselejet, ca. 250 mm fra hovedgærdet.



dk

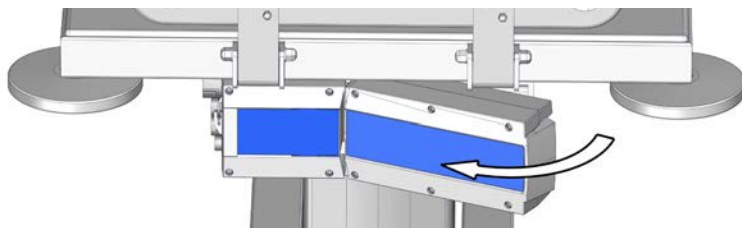
Madrasen og hovedstøtten skal rengøres med varmt vand eller mildt sæbevand. Der findes en liste over passende rengøringsmidler/ desinfektionsmidler, der er testet af Pressalit, på [pressalit.com](http://pressalit.com)

### VIGTIGT

Kontrollér regelmæssigt for skader på hovedstøtten. Dette vil forhindre infektion af hovedstøtten.

# Rengøring

Tag batteriet ud før rengøring af det mobile bruse-/skifteleje.



Produktet skal rengøres med varmt vand eller mildt sæbevand. Der findes en liste over passende rengøringsmidler, der er testet af Pressalit, på [pressalit.com](http://pressalit.com)

## **FORSIGTIG**

Læs altid sikkerhedsdatabladet (MSDS) og de instruktioner, der følger med rengørings-, desinfektions- eller afkalkningsmidlet, og følg instruktionerne for sikker brug, fortynding, skylning, tørring, håndtering og opbevaring af midlet.

## **VIGTIGT**

- Brug ikke autoklavering eller en anden form for damprensere.
- Undgå stærke rengøringsmidler, der indeholder syre.
- Produktet må aldrig sprøjtes direkte med en højtryksrenser.
- Klorbaserede desinfektionsmidler kan bruges til desinfektion af overflader i henhold til produktspecifikationen og sikkerhedsforanstaltninger for disse produkter.

## **FORSIGTIG**

Der må ikke foretages nogen form for rengøring eller desinfektion af det mobile bruse-/skifteleje, mens patienten ligger på det.

# Elektromagnetisk kompatibilitet



- Brug af tilbehør, transducere og kabler af andre mærker end dem, der er specificeret eller leveret af producenten, kan medføre øgede elektromagnetiske emissioner eller reduceret elektromagnetisk immunitet i dette udstyr og medføre forkert funktion.
- Bærbart RF-kommunikationsudstyr (herunder perifert udstyr som f.eks. antennekabler og eksterne antenner) må ikke bruges tættere på end 30 cm fra enhver del af enheden, herunder kabler, for at undgå en eventuel forringelse af denne enheds ydeevne.
- Brug af dette udstyr i nærheden af eller stablet oven på andet udstyr skal undgås, da det kan medføre forkert funktion. Hvis en sådan brug er nødvendigt, skal dette udstyr og det andet udstyr observeres for at bekræfte, at det fungerer normalt.

## Elektromagnetiske emissioner

Teststandard	Testniveau/-detaljer	Testresultater
60601-1-2 kap. 7.1.7 – CISPR 14	30 MHz-1 GHz	Bestået

dk

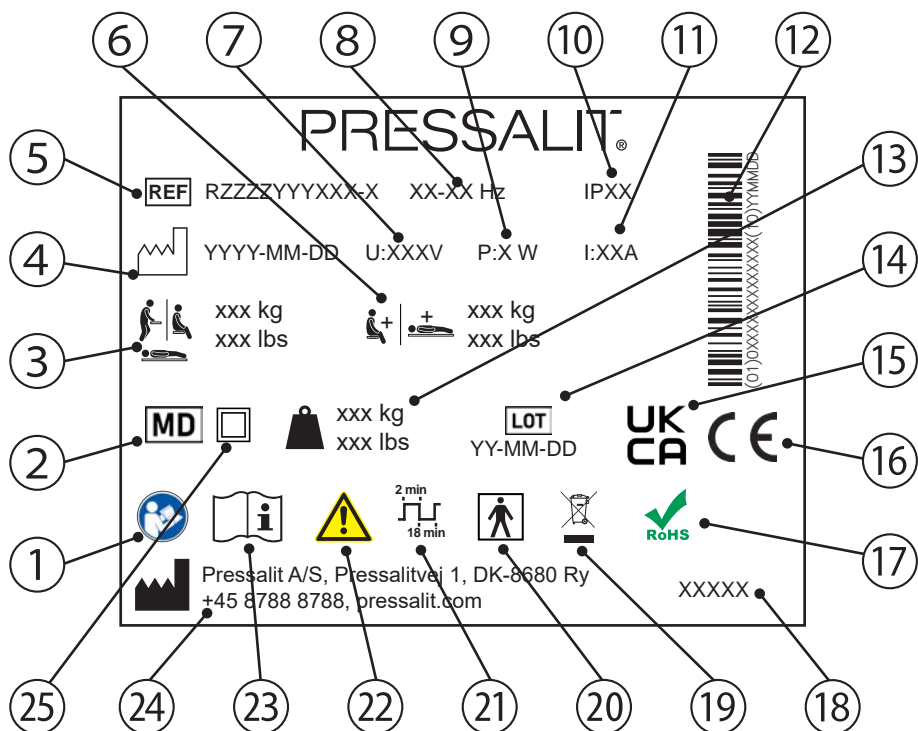
## Elektromagnetisk immunitet

Teststandard	Overholdelses-niveau	Testniveau/ -detaljer	Testresultater
EN60601-1-2 og EN17966 (Sundhedspleje i private hjem)	=> 10 V/m 2,7 GHz	15 V/m Frekvensområde: 80 MHz-6 GHz 1 % trinstørrelse	Bestået
EN60601-1-2 (Proksimitetsfelter fra trådløst RF- kommunikations- udstyr)	=> 10 V/m 2,7 GHz	15 V/m Frekvensområde: 385-5785 MHz	Bestået
IEC 61000-4-4 (Hurtige elektriske overspændinger/ strømskud)		Hurtig impulssimulering	Bestået
Ledningsbårne forstyrrelser induceret af radiofrekvente felter.	Impuls subjektion, 6 V	Impuls subjektion, 10 V	Bestået
Elektrostatisk afladning		Statisk ladet person aflades på enhed, 8 kV og 15 kV	Bestået (*)

Hvis en statisk ladet person aflader på eller i nærheden af det mobile bruselejes kontrolboks, kan der opstå en fejl for løftesøjlerne, og der skal foretages en nulstilling. Se "**Nulstilling**".



# Produktmærkning



dk

1 Se brugsvejledningen

2 Medicinsk udstyr

3 Maks. brugervægt

4 Fremstillingsdato

5 Produktnummer

6 Maksimal belastning

7 Netspænding

8 Frekvens

9 Maks. strømforbrug

⑩ IP-klasse

---

⑪ Strømstyrke

---

⑫ GS1-128-stregkode

---

⑬ Produktvægt

---

⑭ Batchkode

---

⑮ UKCA-mærkning (UK Conformity Assessment)

---

Disse produkter er CE-mærket i henhold til de relevante krav i:

- Forordning (EU) 2017/745 (af 5. april 2017) om medicinsk udstyr.

⑯ • Rådets direktiv 2006/42/EF (af 17. maj 2006) om maskiner.

- Rådets direktiv 2011/65/EF (af 8. juni 2011) om RoHS.

Der findes en overensstemmelseserklæring på [pressalit.com](http://pressalit.com)

---

⑰ Dette produkt indeholder ikke nogen af de farlige stoffer, der er nævnt i Rådets direktiv 2011/65/EF om RoHS.

---

⑱ Produktnavn (hvis det findes)

---

Må ikke bortskaffes som usorteret husholdningsaffald.

⑲ Produktet skal indsamles særskilt og afleveres på den relevante genbrugsstation.

---

⑳ Type B anvendt del. Dele af produktet vil under normal anvendelse nødvendigvis komme i fysisk kontakt med patienten. Produktet opfylder kravene i IEC 60601-1 for at beskytte mod elektrisk stød

---

㉑ Driftscyklus

---

㉒ Se vigtige advarende oplysninger, som f.eks. advarsler og sikkerhedsforanstaltninger, i vejledningen

---

㉓ Se brugsvejledningen

---

㉔ Fabrikantens navn og adresse

---

㉕ Dobbeltisoleret elektrisk apparat

---

# Opbevaring og transport

- Temperaturen for transport og opbevaring af enheden skal være mellem 5 og 40 °C.
- Enheden skal altid transporteres in den originale emballage.
- Undgå at udsætte emballagen for stød og påvirkninger.
- Produktet må ikke bruges, hvis emballagen er brudt eller beskadiget.

# Fejlfinding

Symptom	Årsag	Handling
Ingen strøm.	Der er ikke strøm på batteriet.	Oplad batteriet. Se " <b>Opladning af batteriet</b> ".
Ingen strøm.	Batteriet er i standbytilstand.	Sæt batteriet i opladeren i ca. 15 sekunder. Se " <b>Opladning af batteriet</b> ".
Det mobile bruseleje står skråt, selvom vippefunktionen ikke er aktiveret.	Løftesøjlerne er ikke synkroniserede.	Nulstil løftesøjlerne. Se " <b>Nulstilling</b> ".
Det mobile bruseleje kan ikke hæves eller sænkes.	Hvis en statisk ladet person aflader i nærheden af det mobile bruselejes kontrolboks, kan der opstå en fejl for løftesøjlerne.	Nulstil løftesøjlerne. Se " <b>Nulstilling</b> ".

Kontakt Pressalit A/S eller din lokale forhandler, hvis problemet ikke kan løses. Forsøg ikke selv at reparere produktet, da dette vil ugyldiggøre garantien.

Den forventede levetid for det mobile bruse-/skifteleje er 10 år.

dk

## Bortskaffelse og genbrug

Produktet indeholder genbrugelige materialer. Der er ingen kendte farer eller risici forbundet med bortskaffelse af produktet. Alle komponenter kan bortskaffes efter at være blevet rengjort og desinficeret.

Ved bortskaffelse af produktet anbefales det, at det skilles ad og inddeles i forskellige affaldsgrupper til genbrug eller forbrænding.

Følgende tabel indeholder oplysninger om genbrug og håndtering af produktet.

<b>Genanvendelige komponenter</b>	<b>Materiale</b>
Stål	Stål kan genbruges ved hjælp af omsmeltnings og anvendes som sekundært materiale i produktionen af nyt stål.
Plastik	Brug plastiksorings- og genbrugssystemer, hvis de er tilgængelige i lokalområdet, og ellers har forbrænding af plastik den ekstra fordel, at det genererer energi, hvilket kan anvendes til f.eks. en kombination af varme- og kraftproduktion.
Elektronik	De elektroniske komponenter skal indsamles særskilt og afleveres på den relevante genbrugsstation.
Batterier	Bortskaffelse af batteriet skal foregå i henhold til de lokale bestemmelser.

# Inhalt

Symbole in dieser Gebrauchsanweisung .....	62
Allgemeine Sicherheitshinweise .....	64
Sicherheitsabstand .....	65
Verwendungszweck .....	67
Vorgesehene Bediener .....	67
Vorgesehene Patienten .....	67
Betriebsbedingungen .....	67
Kontraindikationen .....	68
Biologische Beurteilung .....	68
Bedienungsanleitung .....	69
Sicherheitsbremsen .....	69
Bewegen .....	70
Seitengitter .....	71
Höhenverstellung .....	72
Kippfunktion .....	73
Zurücksetzen .....	73
Akku laden .....	74
Zubehör .....	76
Duschmatratze .....	76
Kopfstütze .....	78
Reinigung .....	79
Elektromagnetische Verträglichkeit .....	80
Elektromagnetische Emissionen .....	80
Elektromagnetische Störfestigkeit .....	81
Typenschild .....	82
Aufbewahrung und Transport .....	84
Fehlerbehebung .....	84
Entsorgung und Wiederverwertung .....	85

de

# Symbole in dieser Gebrauchsanweisung

Die folgenden Symbole werden sowohl in dieser Gebrauchsanweisung als auch in der mit dem Produkt mitgelieferten Dokumentation verwendet.



**WARNUNG** weist auf zu vermeidende Gefahrensituationen hin, die zum Tod oder zu schwerwiegenden Verletzungen führen können.



**VORSICHT** weist auf zu vermeidende Gefahrensituationen hin, die zu geringfügigen oder mittelschweren Verletzungen führen können. Es kann auch zur Warnung vor unsicheren Verfahren dienen.



**WICHTIG** weist auf wichtige Informationen zur Handhabung und Verwendung des Produkts hin.



**HINWEIS** kennzeichnet Verfahren und Informationen, ohne dass Verletzungsgefahr besteht.



Warnung: Verletzungsgefahr  
für den Kopf



Warnung: Verletzungsgefahr  
für die Hände



Warnung: Verletzungsgefahr  
für die Genitalien



Warnung: Verletzungsgefahr  
für die Füße



Der Patient darf nicht unbeaufsichtigt gelassen werden.



Kompatible Produkte



Ersatzteile



Max. Gewicht des Benutzers



Artikelnummer/Versionen



Gewichtangabe



Elektrische Daten

de

# Allgemeine Sicherheitshinweise

## **WARNUNG**

- Lesen Sie vor Verwendung des Produkts die Gebrauchsanweisung vollständig durch. Bewahren Sie die Gebrauchsanweisung in der Nähe des Produkts auf.
- Befolgen Sie diese Gebrauchsanweisung, um schwerwiegende Verletzungen zu vermeiden.
- Verwenden und handhaben Sie dieses Produkt ausschließlich wie in dieser Gebrauchsanweisung beschrieben. Anderenfalls besteht Verletzungsgefahr für den Anwender oder die Gefahr von Schäden am Produkt.
- Stellen Sie sicher, dass alle Personen, die dieses Produkt und seine Komponenten installieren oder verwenden, über die notwendigen Informationen verfügen und Zugang zu dieser Gebrauchsanweisung haben.

## **VORSICHT**

- Befolgen Sie diese Anweisungen, um Schäden am Produkt zu vermeiden.
- Nehmen Sie keine Reparaturen, Montagen, Erweiterungen, Anpassungen oder Veränderungen am Produkt vor und zerlegen Sie es nicht. Diese Arbeiten dürfen ausschließlich von Pressalit-Mitarbeitern oder von anderen, durch Pressalit autorisierten Personen durchgeführt werden.
- Lassen Sie niemals Kinder unbeaufsichtigt dieses Produkt bedienen. Das Produkt darf nicht als Spielzeug verwendet werden.
- Verwenden Sie das Produkt niemals, wenn es defekt oder beschädigt ist. Verwenden Sie ein defektes Produkt erst wieder, nachdem es repariert wurde.

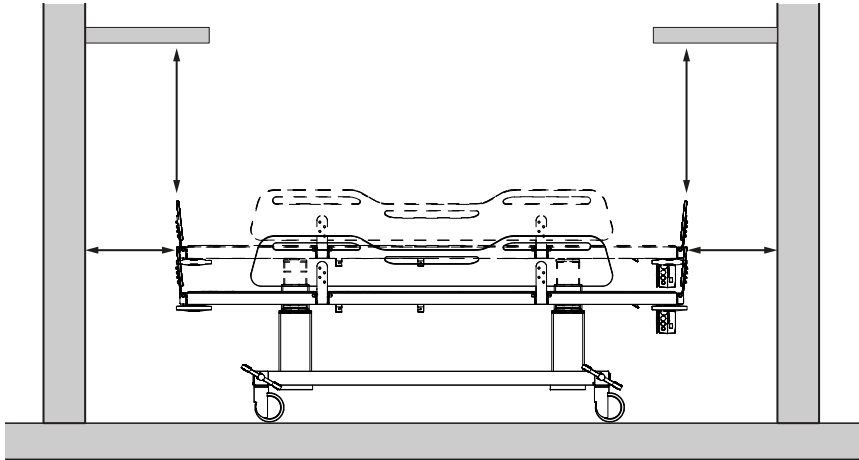
## **HINWEIS**







- Die Informationen in dieser Gebrauchsanweisung setzen den korrekten Einbau des Produkts gemäß unserer Montageanweisung voraus.
- Pressalit haftet nicht, wenn das Produkt anders als in dieser Gebrauchsanweisung beschrieben verwendet wird.
- Änderungen vorbehalten.



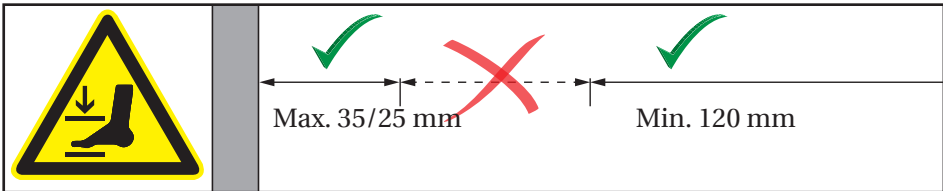
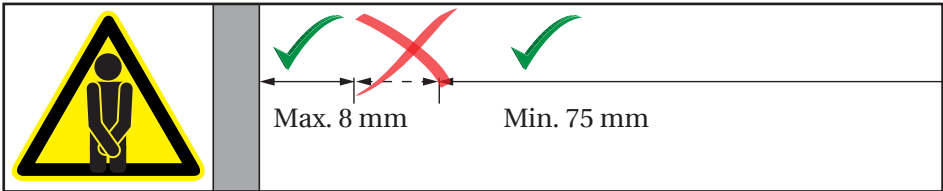
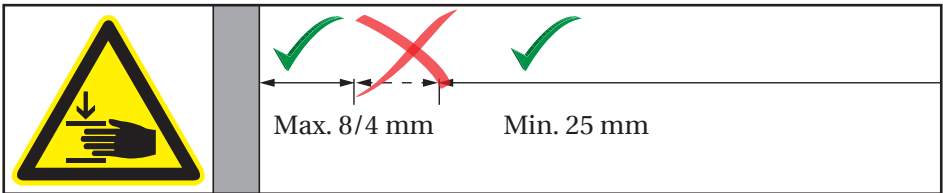
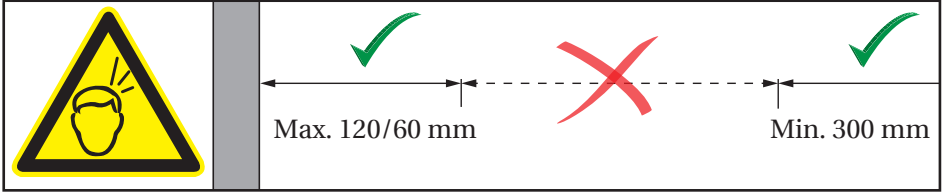
# Sicherheitsabstand

Stellen Sie sicher, dass sich das Produkt in sicherem Abstand zu Gegenständen in der Umgebung befindet. Überprüfen Sie die Abstände vor Verwendung des Produkts.



ISO 17966:2016		
	Max. 120 mm Min. 300 mm	Max. 60 mm Min. 300 mm
	Max. 8 mm Min. 25 mm	Max. 4 mm Min. 25 mm
	Max. 8 mm Min. 75 mm	Max. 8 mm Min. 75 mm
	Max. 35 mm Min. 120 mm	Max. 25 mm Min. 120 mm

de



 **WARNUNG**

Während das Produkt innerhalb der Sicherheitsabstände hochgefahren und abgesenkt wird, muss zur Vermeidung von Quetschverletzungen auf Personen und Objekte in der Umgebung geachtet werden.

# Verwendungszweck

Das Produkt ist zum Duschen von Personen vorgesehen, die nicht stehen oder sitzen können. Die Person liegt dabei waagrecht auf dem Duschwagen.

## Vorgesehene Bediener

Das Produkt ist für die Bedienung durch Personen vorgesehen, die in der medizinischen Pflege und im Waschen von durch sie betreute Personen geschult sind.

## Vorgesehene Patienten

Das Produkt kann von Erwachsenen und Kindern jeden Alters genutzt werden, deren Körpergewicht dessen **maximale Belastbarkeit von 200 kg** nicht überschreitet.

## Betriebsbedingungen

Zum Gebrauch in Nassräumen wie Badezimmern oder Waschräumen. Das Produkt ist unter normalen Arbeitsbedingungen bei Raumtemperatur in öffentlichen Räumen, Schulen, Privathaushalten, Pflegeeinrichtungen und Krankenhäusern vorgesehen.



Die Oberfläche des Produkts kann sich stark erhitzen bzw. abkühlen, wenn sie externen Wärme- bzw. Kältequellen ausgesetzt ist (z. B. Sonne oder Frost).

## HINWEIS

Jeder schwerwiegende Vorfall, der im Zusammenhang mit dem Produkt aufgetreten ist, muss dem Hersteller und den Gesundheitsbehörden gemeldet werden.

de

## **Kontraindikationen**

Schwangere Frauen sollten nicht auf dem Duschwagen gewaschen werden. Patienten mit Infusions- oder Insulinpumpe, entzündlichen Hautkrankheiten oder fiebernde Patienten sollten nicht auf dem Duschwagen gewaschen werden.

Patienten mit Herzinsuffizienz, Herz-Kreislauf-Erkrankungen, Schädel-Hirn-Trauma, offenen Wunden oder gelegten Zugängen (z. B. Katheter, Drainageschlauch) dürfen erst nach Rücksprache mit dem behandelnden Arzt auf dem Duschwagen gewaschen werden.

Das Produkt darf nicht verwendet werden, wenn der Patient mehr als 200 kg wiegt.

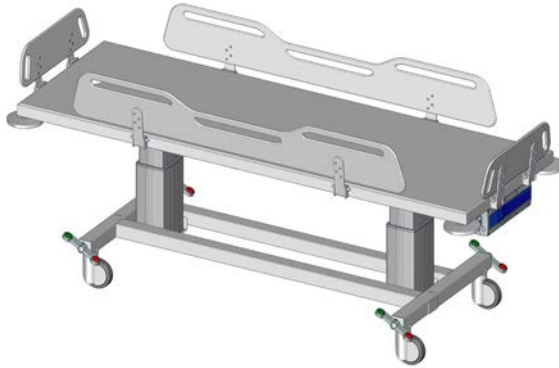
## **Biologische Beurteilung**

Die Materialien, die beim Umziehen mit der Haut des Patienten oder Bedieners in Kontakt kommen, wurden gemäß ISO 10993 „Biologische Beurteilung von Medizinprodukten“ auf Schadstoffe getestet und sind nachweislich für die vorgesehene Verwendung geeignet.

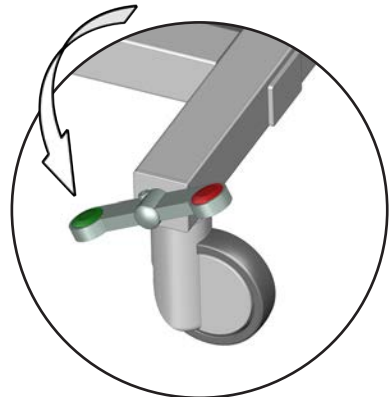
# Bedienungsanleitung

## Sicherheitsbremsen

Alle vier Räder des Duschwagens verfügen über Sicherheitsbremsen, damit sich dieser bei der Verwendung nicht unerwartet bewegen kann.



**Bremsen feststellen:** Treten Sie auf den roten Knopf an einem der vier Kipphebelpedale, um die Bremsen an allen vier Rädern festzustellen.



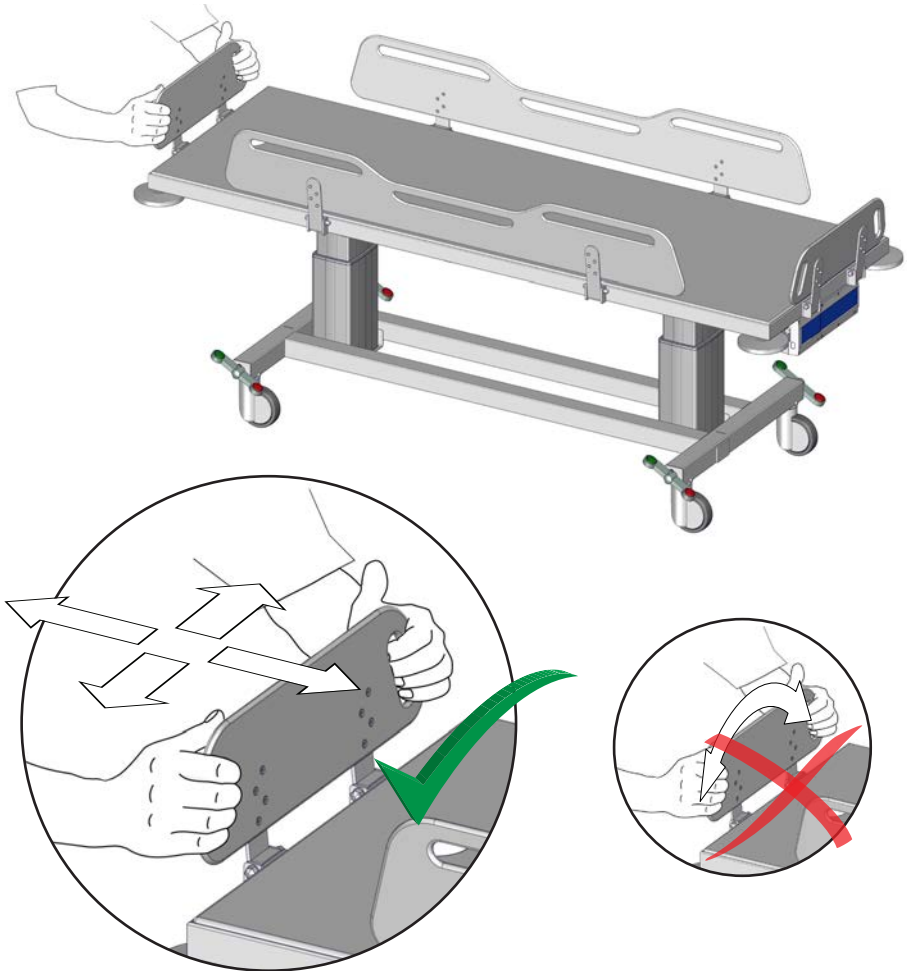
**Bremsen lösen:** Treten Sie auf den grünen Knopf an einem der vier Kipphebelpedale, um die Bremsen an allen vier Rädern zu lösen.



**WARNUNG**

Überprüfen Sie immer, dass die Bremsen festgestellt sind, wenn Sie einen Patienten auf den oder vom Duschwagen umlagern.

# Bewegen



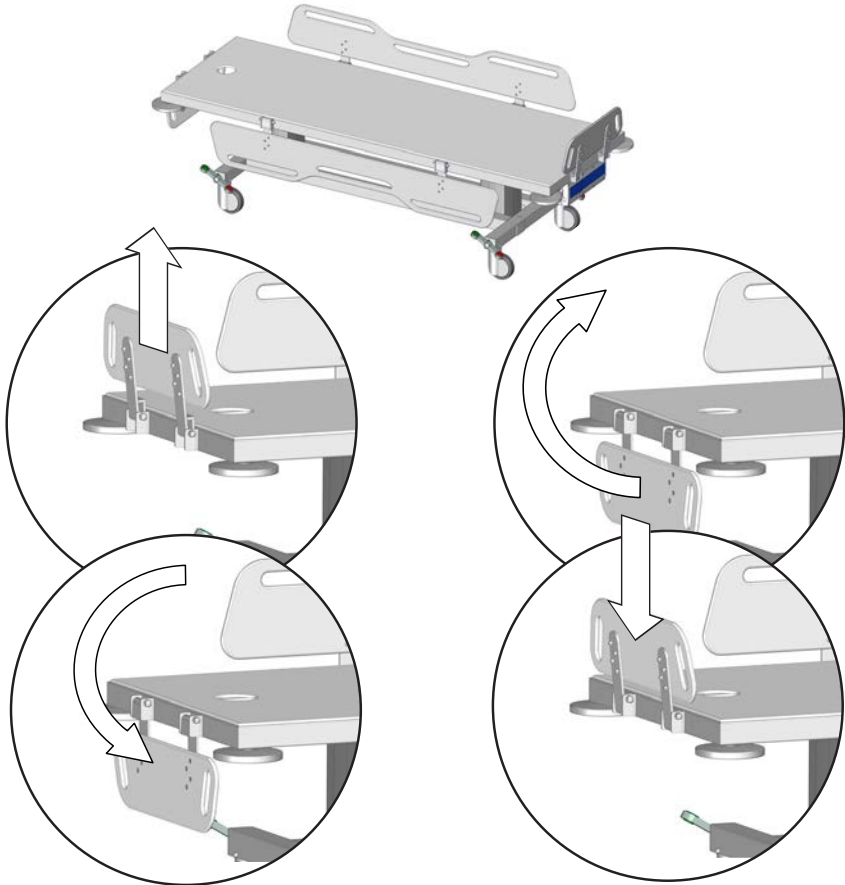
Greifen Sie in die Aussparungen der Seitengitter, um den Duschwagen zu bewegen. Schieben Sie ihn geradeaus in die gewünschte Richtung. Achten Sie darauf, die Seitengitter nicht zu verbiegen.



**Der Patient darf nicht unbeaufsichtigt gelassen werden.**

## Seitengitter

Die Seitengitter können einzeln hoch- und heruntergeklappt werden, um die Umlagerung des Patienten zu erleichtern. Die Gitter am Kopf- und Fußende können einzeln hoch- und heruntergeklappt werden, um die Füße/Beine des Patienten besser erreichen zu können (z. B. zum Anziehen von Strümpfen).



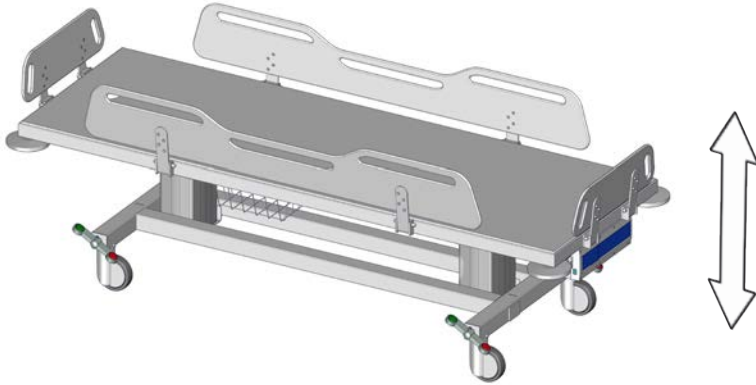
**Herunterklappen:** Heben Sie die Seitengitter an, um sie zu entriegeln und klappen Sie sie dann nach unten.

**Hochklappen:** Klappen Sie die Seitengitter hoch und drücken Sie sie dann nach unten, bis sie einrasten.



Bei der Verwendung müssen alle Seitengitter aufrecht und verriegelt sein, damit der Patienten keinesfalls herunterfallen kann.

## Höhenverstellung



Der Duschwagen kann um 400 mm nach oben und unten verstellt werden.

**Max. Gewicht des Benutzers: 200 kg**  
**Maximale Belastbarkeit: 250 kg**

Die Höhenverstellung erfolgt über die kabelgebundene Fernbedienung.



Halten Sie zum Hochfahren die Taste „Auf“ gedrückt. Wenn Sie die Taste loslassen, wird die Aufwärts- bzw. Abwärtsbewegung angehalten.



Halten Sie zum Absenken die Taste „Ab“ gedrückt. Wenn Sie die Taste loslassen, wird die Aufwärts- bzw. Abwärtsbewegung angehalten.



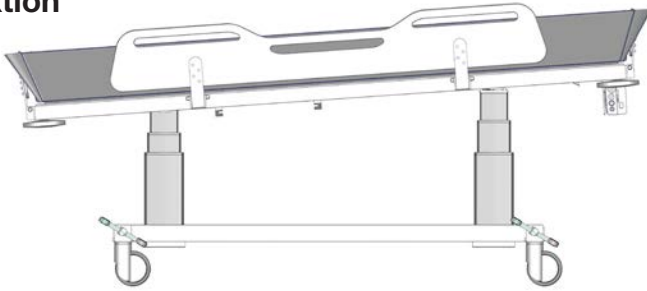
**Wenn die kabelgebundene Fernbedienung gerade nicht verwendet wird, muss sie in der vorgesehenen Halterung platziert werden, um ein Strangulationsrisiko zu vermeiden.**



**Seien Sie in der Nähe beweglicher mechanischer Teile vorsichtig, da hier die Gefahr von Verletzungen der Hände, der Füße und des Kopfes besteht.**



## Kippfunktion



Der Duschwagen kann um ca. 3 Grad gekippt werden, um das Wasser nach Nutzung der optionalen Duschmatratze ablaufen zu lassen.

Die Kippfunktion wird über die kabelgebundene Fernbedienung gesteuert.



Halten Sie zum Kippen die Taste zum Aufrichten gedrückt. Die Bewegung stoppt, wenn eine Neigung von ca. 3 Grad erreicht ist oder die Taste losgelassen wird.



Halten Sie die Taste zum Absenken gedrückt, um den Wagen wieder in eine waagerechte Position zu bringen. Die Bewegung stoppt, wenn der Wagen wieder komplett waagrecht ist oder die Taste losgelassen wird.

Die Höhe des Duschwagens kann auch in gekippter Position verändert werden.

## Zurücksetzen

Wenn der Hubmechanismus nicht ordnungsgemäß funktioniert oder die beiden Hubsäulen ungleich ausgefahren werden, sollten Sie das System zurücksetzen.



Halten Sie dafür die Tasten zum Hoch- und Herunterfahren gleichzeitig gedrückt.



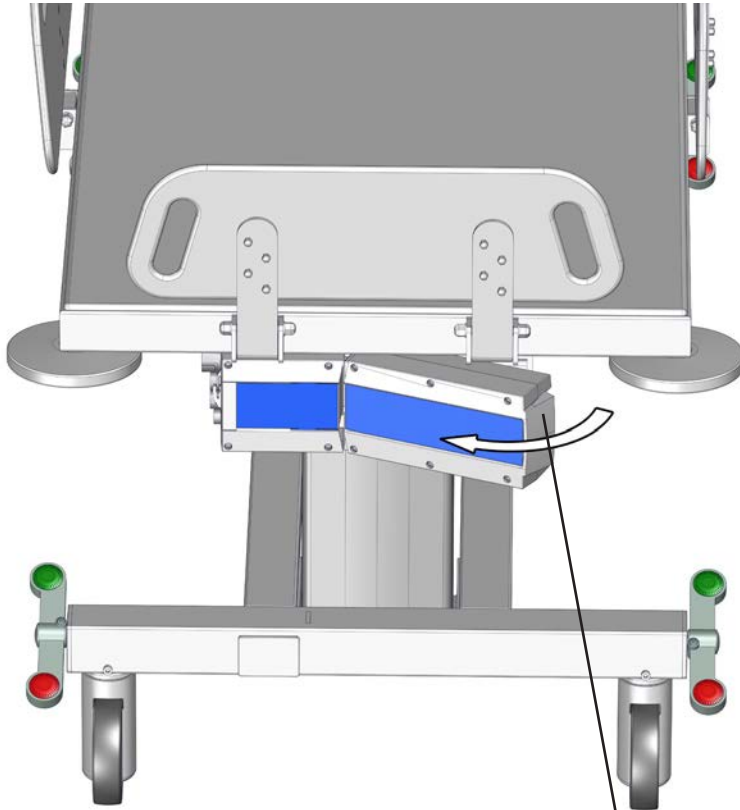
Nach wenigen Sekunden fahren die beiden Hubsäulen herunter, bis ein akustisches Signal ertönt.

Halten Sie die beiden Tasten gedrückt, bis das akustische Signal aufhört.

Nun sind die beiden Hubsäulen zurückgesetzt.

## Akku laden

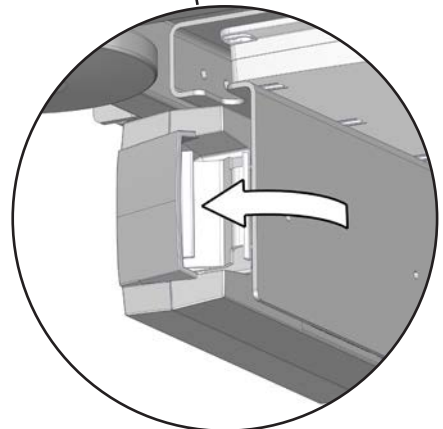
Die Akkuleistung des Duschwagens reicht für bis zu 30 Mal hoch- und herunterfahren.

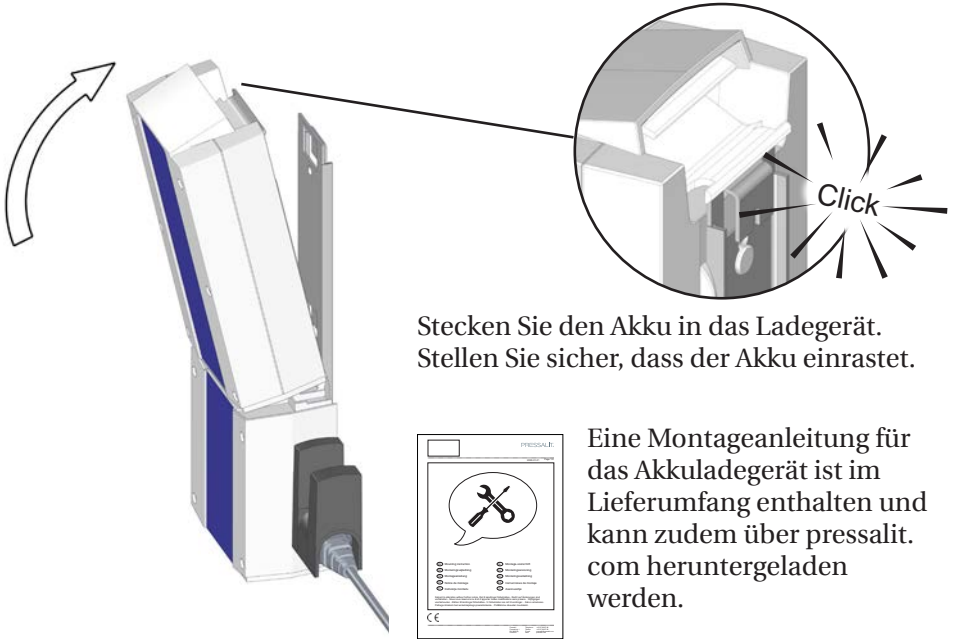


de

Öffnen Sie die Verriegelung, um den Akku zum Laden zu entnehmen.

Bevor der Duschwagen wieder mit Patienten eingesetzt wird, muss der Akku wieder eingesetzt werden.





Stecken Sie den Akku in das Ladegerät.  
Stellen Sie sicher, dass der Akku einrastet.

Eine Montageanleitung für das Akkuladegerät ist im Lieferumfang enthalten und kann zudem über [pressalit.com](http://pressalit.com) heruntergeladen werden.

## **VORSICHT**

Bei niedriger Akkuladung gibt die Fernbedienung während der Verwendung ein akustisches Signal aus. Auch wenn die Akkuladung noch ausreicht, um das Produkt hochzufahren oder abzusenken, muss der Akku sofort aufgeladen oder ausgetauscht werden. Anderenfalls wird der Hubmechanismus bald nicht mehr funktionieren.

## **WICHTIG**

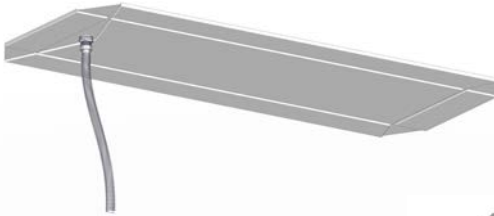
Wenn der Akku länger als eine Woche nicht genutzt wird, wechselt er in den Standby-Modus, um Strom zu sparen und den Akku zu schützen. Stecken Sie den Akku für ca. 15 Sekunden in das Ladegerät, um den Standby-Modus vor der Verwendung wieder aufzuheben.  
Beachten Sie, dass es kein akustisches Signal gibt, das über den Wechsel in den oder aus dem Standby-Modus informiert. Funktioniert der Akku auch nach Aufheben des Standby-Modus nicht, muss er aufgeladen werden. Der Akku muss alle 6 Monate neu geladen werden.

de

# Zubehör

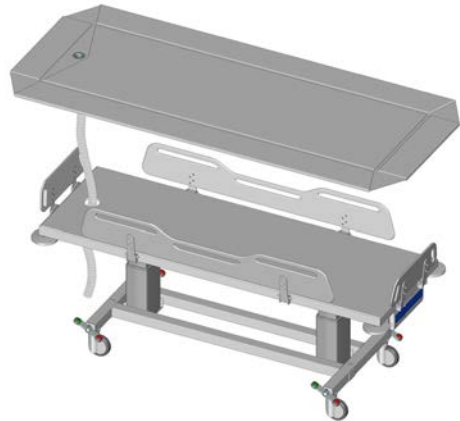
## Duschmatratze

Der Duschwagen kann in Kombination mit der optionalen Duschmatratze auch als Badewanne genutzt werden (R844721 und R844717).

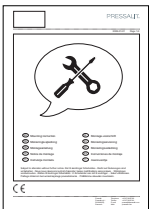


Schließen Sie den Ablaufschlauch wie in der beiliegenden Montageanleitung beschrieben an den Abfluss der Matratze an.

Ziehen Sie den Ablaufschlauch durch die Aussparung des Duschwagens, falten Sie die Matratze und legen Sie sie auf den Wagen. Stellen Sie sicher, dass alle vier Seitengitter am Duschwagen hochgeklappt und verriegelt sind.



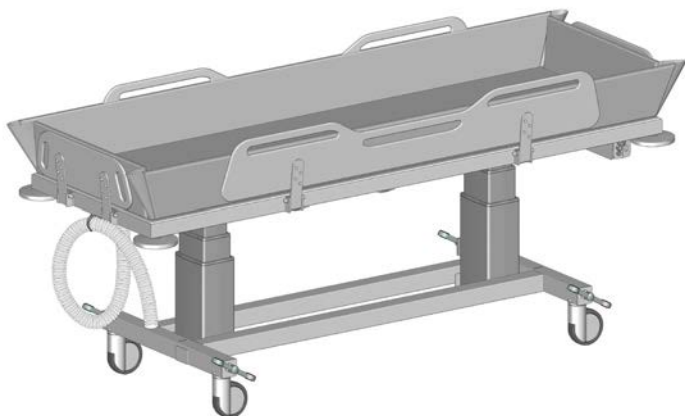
de



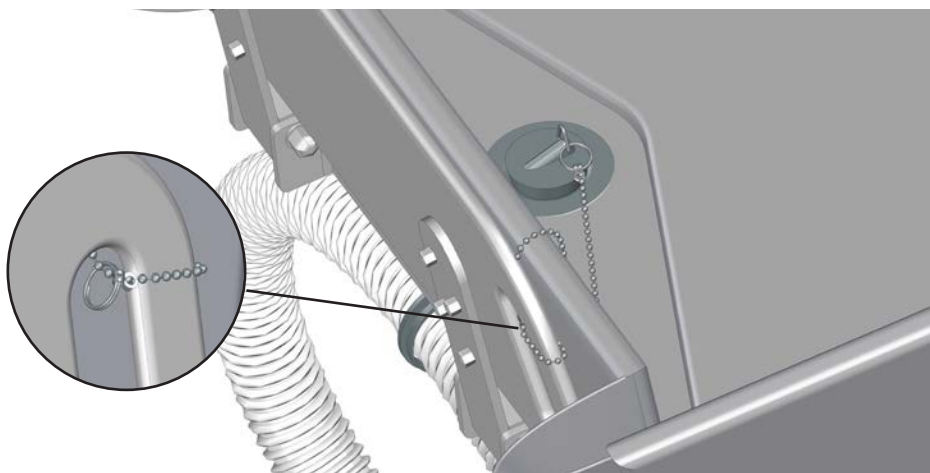
Eine Montageanleitung zum Anschließen des Ablaufschlauchs ist im Lieferumfang der Duschmatratze enthalten und kann zudem über [pressalit.com](http://pressalit.com) heruntergeladen werden.

## WICHTIG

- Überprüfen Sie die Matratze regelmäßig auf Beschädigungen. Dadurch beugen Sie einer Kontamination der Matratze vor.
- Tragen Sie beim Umgang mit dem Ablaufschlauch der Matratze stets Handschuhe, da der Ablaufschlauch mit menschlichen Ausscheidungen in Kontakt gekommen sein kann.



Rollen Sie den Schlauch auf und hängen Sie ihn an den dafür vorgesehenen Haken.



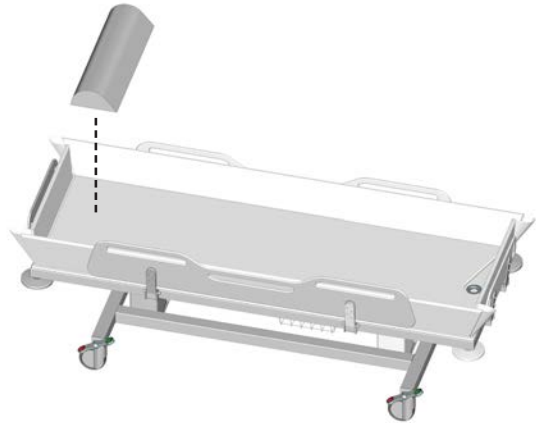
Befestigen Sie ein Ende der Kette mit dem Schlüsselring am Stöpsel. Schlingen Sie das andere Ende um einen der Griffe an den Seitengitter und befestigen Sie es mit dem anderen Schlüsselring.

## WICHTIG

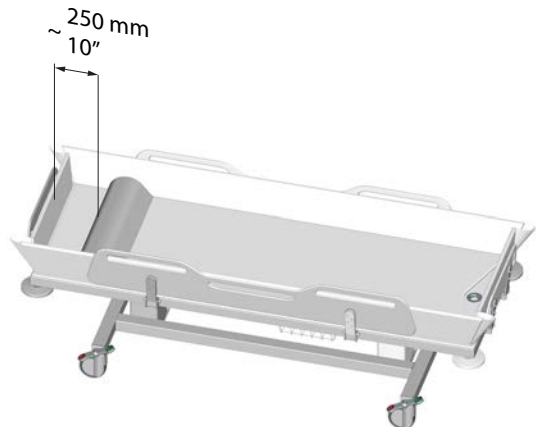
Bewegen Sie den Duschwagen nicht von der Stelle, wenn die Duschmatratze mit Wasser gefüllt ist.

## Kopfstütze

Die Duschmatratze kann für besseren Komfort mit einer optionalen Kopfstütze (R844521) verwendet werden.



Platzieren Sie die Kopfstütze am Kopfende des Duschwagens, mit ca. 250 mm Abstand zum Kopfgitter.



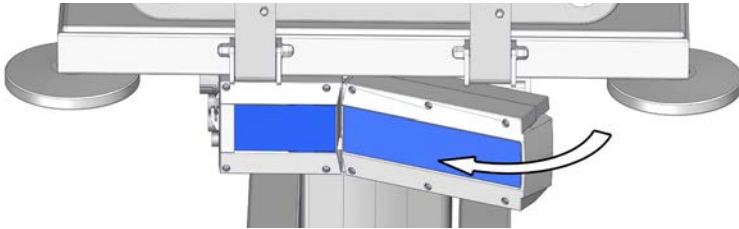
Matratze und Kopfstütze können mit heißem Wasser oder einem milden Reinigungsmittel gereinigt werden. Eine Liste geeigneter Reinigungs-/ Desinfektionsmittel, die von Pressalit geprüft wurden, finden Sie unter [pressalit.com](http://pressalit.com).

### WICHTIG

Überprüfen Sie die Kopfstütze regelmäßig auf Beschädigungen. Dadurch beugen Sie einer Kontamination der Kopfstütze vor.

# Reinigung

Entfernen Sie vor der Reinigung des Duschwagens den Akku.



Das Produkt kann mit heißem Wasser oder einem milden Reinigungsmittel gereinigt werden. Eine Liste geeigneter Reinigungsmittel, die von Pressalit geprüft wurden, finden Sie unter [pressalit.com](http://pressalit.com).

## VORSICHT

Lesen Sie immer das Material Sicherheitsdatenblatt und die Gebrauchsanweisung des verwendeten Reinigungsmittels, Desinfektionsmittels oder Entkalkers, und befolgen Sie die Anweisungen zu sicherem Gebrauch, Verdünnung, Abspülen, Trocknen, Handhabung und Lagerung.

## WICHTIG

- Verwenden Sie keinen Autoklaven oder eine andere Art von Dampfreiniger.
- Verwenden Sie keine aggressiven, säurehaltigen Reinigungsmittel.
- Richten Sie niemals einen Hochdruckreiniger direkt auf das Produkt.
- Zur Desinfektion der Oberflächen können chlorbasierte Desinfektionsmittel verwendet werden. Beachten Sie dabei die Produktspezifikationen und Sicherheitshinweise des Produkts.

## VORSICHT

Reinigen oder desinfizieren Sie den Duschwagen nicht, während ein Patient darauf liegt.

# Elektromagnetische Verträglichkeit



- Die Verwendung von Zubehör, Messwandlern und Kabeln, die nicht vom Hersteller empfohlen oder bereitgestellt wurden, kann zu erhöhten elektromagnetischen Emissionen oder einer verringerten elektromagnetischen Störfestigkeit dieses Geräts führen und Fehlfunktionen zur Folge haben.
- Tragbare HF-Kommunikationsgeräte (einschließlich Peripheriegeräte wie Antennenkabel und externe Antennen) müssen in einem Abstand von mindestens 30 cm zum Gerät (auch zu den Kabeln) verwendet werden, damit das Gerät nicht in seiner Leistung beeinträchtigt wird.
- Die Verwendung dieses Geräts neben oder auf anderen Geräten ist nicht zulässig, da dies der bestimmungsgemäßen Verwendung widerspricht. Ist eine solche Verwendung dennoch erforderlich, muss die ordnungsgemäße Funktion aller involvierten Geräte sorgfältig überwacht werden.

## Elektromagnetische Emissionen

<b>Teststandard</b>	<b>Testlevel/-details</b>	<b>Testergebnisse</b>
60601-1-2 Kap. 7.1.7 – CISPR 14	30 MHz–1 GHz	Bestanden

de



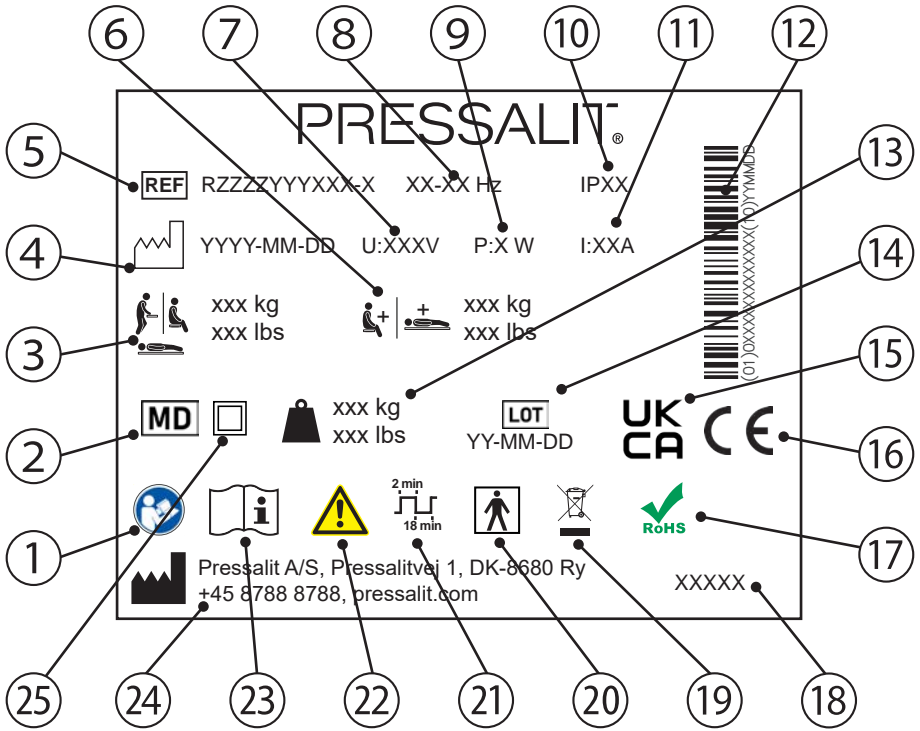
## Elektromagnetische Störfestigkeit

Teststandard	Konformitätslevel	Testlevel/ -details	Test- ergebnisse
EN 60601-1-2 und EN 17966 (Versorgung im häuslichen Umfeld)	=> 10 V/m 2,7 GHz	15 V/m Frequenzbereich: 80 MHz–6 GHz 1-%-Schritte	Bestanden
EN 60601-1-2 (Störfestigkeit gegenüber HF- Feldern in der Nähe befindlicher drahtloser Kommunikations- geräte)	=> 10 V/m 2,7 GHz	15 V/m Frequenzbereich: 385–5785 MHz	Bestanden
IEC 61000-4-4 (schnelle transiente elektrische Störgrößen/Bursts)		Schnelle Puls- simulation	Bestanden
Störfestigkeit gegenüber durch Hochfrequenzfelder induzierte geleitete Störgrößen	Pulsstärke 6 V	Pulsstärke 10 V	Bestanden
Elektrostatische Entladung		Entladung statisch geladene Personen am Produkt, 8 kV und 15 kV	Bestanden (*)

\* Entlädt sich eine statisch geladene Person in der Nähe des Duschwagen-Schaltkastens, kann ein Fehler der Hubsäulen auftreten. In diesem Fall müssen sie zurücksetzt werden. Siehe „**Zurücksetzen**“.

de

# Typenschild



- 1 Gebrauchsanweisung beachten.

---

- 2 Medizinprodukt

---

- 3 Maximales Gewicht des Benutzers

---

- 4 Herstellungsdatum

---

- 5 Artikelnummer

---

- 6 Maximale Belastbarkeit

---

- 7 Netzspannung

---

- 8 Frequenz

---

- 9 Maximale Leistungsaufnahme

⑩ IP-Klasse

---

⑪ Elektrischer Strom

---

⑫ GS1-128-Barcode

---

⑬ Gewichtangabe

---

⑭ Chargennummer

---

⑮ UKCA-Kennzeichnung (UK Conformity Assessed)

---

Diese Produkte tragen das CE-Zeichen und erfüllen alle relevanten Anforderungen gemäß:

- Verordnung (EU) 2017/745 (vom 5. April 2017) über Medizinprodukte

⑯

- Richtlinie 2006/42/EG des Rates (vom 17. Mai 2006) für Maschinen

- Richtlinie 2011/65/EG des Rates (vom 8. Juni 2011) zu RoHS (engl. Restriction of Hazardous Substances, Beschränkung gefährlicher Stoffe)

Eine Konformitätserklärung kann unter [pressalit.com](http://pressalit.com) eingesehen werden.

---

⑰

Dieses Produkt enthält keinen der in der Richtlinie 2011/65/EG des Rates zu RoHS genannten Gefahrstoffe.

---

⑱

Produktname (sofern vorhanden)

---

⑲

Nicht im Hausmüll entsorgen. Das Produkt muss separat entsorgt und der entsprechenden Wiederverwertung zugeführt werden.

---

Teil mit Patientenkontakt, Typ BF. Ein Teil des Produkts kommt bei normalem Gebrauch notwendigerweise in physischen Kontakt mit dem Patienten, um seine vorgesehene Funktion zu erfüllen. Das Gerät entspricht den Anforderungen der IEC 60601-1 zum Schutz vor elektrischem Schlag.

---

⑳

Betriebszyklus

---

㉑

Wichtige Sicherheitshinweise und Vorsichtsmaßnahmen in der Gebrauchsanweisung beachten.

---

㉒

Gebrauchsanweisung beachten.

---

㉓

Name und Anschrift des Herstellers

---

㉔

Doppelt isoliertes elektrisches Gerät

---

# Aufbewahrung und Transport

- Die Temperatur bei Aufbewahrung bzw. Transport des Produkts muss zwischen 5 und 40 °C liegen.
- Das Produkt muss immer in seiner Originalverpackung transportiert werden.
- Das verpackte Produkt sollte keinen Stößen oder Schlägen ausgesetzt werden.
- Das Produkt darf nicht verwendet werden, wenn die Verpackung beschädigt ist.

# Fehlerbehebung

Problem	Ursache	Abhilfe
Kein Strom.	Akku entladen.	Laden Sie den Akku auf. Siehe „ <b>Akku laden</b> “.
Kein Strom.	Akku im Standby-Modus.	Stecken Sie den Akku für ca. 15 Sekunden in das Ladegerät. Siehe „ <b>Akku laden</b> “.
Der Duschwagen ist in Schiefelage, obwohl die Kippfunktion nicht aktiviert ist.	Die Hubsäulen sind ungleich ausgefahren.	Setzen Sie die Hubsäulen zurück. Siehe „ <b>Zurücksetzen</b> “.
Der Duschwagen kann nicht hoch- oder heruntergefahren werden.	Entlädt sich eine statisch geladene Person in der Nähe des Duschwagen-Schaltkastens, kann ein Fehler der Hubsäulen auftreten.	Setzen Sie die Hubsäulen zurück. Siehe „ <b>Zurücksetzen</b> “.

Falls sich das Problem nicht beheben lässt, wenden Sie sich an Pressalit A/S oder Ihren Händler vor Ort. Versuchen Sie nicht, das Produkt selbst zu reparieren, da hierdurch die Garantie erlischt.

Die erwartete Nutzungsdauer des Duschwagens liegt bei 10 Jahren.

# Entsorgung und Wiederverwertung

Das Produkt enthält wiederverwertbare Materialien. Die Entsorgung des Produkts ist mit keinen bekannten Gefahren oder Risiken verbunden. Alle Komponenten können entsorgt werden, nachdem sie gereinigt und desinfiziert wurden.

Wir empfehlen, das Produkt zur Entsorgung zu zerlegen und in die verschiedenen Abfallfraktionen für die Wiederverwertung oder Verbrennung zu trennen.

Die folgende Tabelle enthält weitere Angaben zur Wiederverwertung und Entsorgung des Produkts.

<b>Wiederverwertbare Komponenten</b>	<b>Material</b>
Stahl	Stahl kann durch Einschmelzen wiederverwertet werden und als Sekundärmaterial in die Produktion von Neustahl einfließen.
Kunststoff	Nutzen Sie die örtlich verfügbaren Trenn- und Recyclingsysteme. Ansonsten hat die Verbrennung von Kunststoff den zusätzlichen Vorteil, dass dabei Energie erzeugt wird, die beispielsweise für die kombinierte Erzeugung von Wärme und Strom genutzt werden kann.
Elektronik	Die elektronischen Komponenten müssen separat entsorgt und der entsprechenden Wiederverwertung zugeführt werden.
Batterien/Akkus	Batterien bzw. Akkus müssen gemäß den geltenden lokalen Vorschriften entsorgt werden.

de

# Sommaire

Symboles utilisés dans ce manuel .....	87
Mesures de sécurité générales .....	89
Distances de sécurité .....	90
Usage prévu .....	92
Profil d'opérateur prévu .....	92
Profil d'utilisateur prévu .....	92
Environnement d'exploitation .....	92
Contre-indications liées à l'utilisation .....	93
Biocompatibilité .....	93
Mode d'emploi .....	94
Freins de sécurité .....	94
Déplacement .....	95
Supports latéraux .....	96
Réglage en hauteur .....	97
Fonction d'inclinaison .....	98
Réinitialisation .....	98
Chargement de la batterie .....	99
Accessoires .....	101
Matelas de douche .....	101
Appui-tête .....	103
Nettoyage .....	104
Compatibilité électromagnétique .....	105
Émissions électromagnétiques .....	105
Immunité électromagnétique .....	106
Étiquette du produit .....	107
Stockage et transport .....	109
Dépannage .....	109
Mise au rebut et recyclage .....	110

# Symboles utilisés dans ce manuel

Les symboles qui suivent sont utilisés dans ce manuel ainsi que dans la documentation associée fournis avec le produit.



**AVERTISSEMENT** indique une situation potentiellement dangereuse susceptible d'entraîner la mort ou de graves blessures si elle n'est pas évitée.



**ATTENTION** indique une situation potentiellement dangereuse susceptible d'entraîner des blessures légères ou modérées si elle n'est pas évitée. Il peut également être utilisé pour alerter contre des pratiques dangereuses.



**IMPORTANT** indique des informations importantes sur la manipulation et l'utilisation du produit.



**REMARQUE** est utilisé pour aborder des pratiques non associées à la sécurité personnelle.



Avertissement de risque de  
blessure de la tête



Avertissement de risque de  
blessure à la main



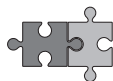
Avertissement de risque de  
blessure aux organes génitaux



Avertissement de risque de  
blessure aux pieds



Ne pas laisser un patient sans surveillance.



Produits compatibles



Pièces de rechange



Poids maximal de l'utilisateur



Numéro d'article / versions



Poids du produit



Données électriques



# Mesures de sécurité générales



## AVERTISSEMENT

- Il est nécessaire de lire et de comprendre le manuel dans son intégralité avant d'utiliser le produit. Conserver le manuel près de l'unité.
- Respecter les instructions de ce manuel pour éviter tout accident impliquant de graves blessures corporelles.
- Ne jamais utiliser ou manipuler ce produit d'une autre manière que celle spécifiée dans ce manuel, car cela risquerait de mettre en danger votre sécurité et d'endommager le produit.
- Veiller à ce que toute personne devant installer ou utiliser le produit et ses systèmes dispose des informations nécessaires et puisse accéder à ce manuel.



## ATTENTION

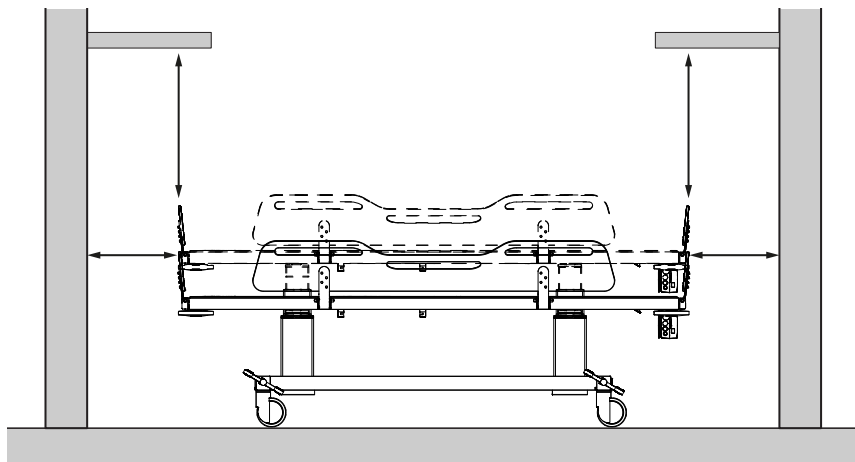
- Respecter ces instructions pour éviter d'endommager ou de détruire le produit.
- Ne pas procéder à des réparations, démontages, montages, extensions, réajustements ou modifications de ce produit. Ces opérations doivent être réalisées uniquement par Pressalit ou des personnes autorisées par Pressalit.
- Ne jamais permettre à des enfants d'utiliser ce produit, sauf sous surveillance. Le produit n'est pas destiné au jeu.
- Ne jamais utiliser le produit s'il est défectueux ou endommagé. Ne pas utiliser un produit défectueux avant de l'avoir fait réparer.







## REMARQUE

- Les informations contenues dans ce manuel reposent sur une installation correcte du produit selon la notice de montage.
- Pressalit ne saurait être tenu responsable en cas d'utilisation du produit autre que celle décrite dans le manuel.
- Nous nous réservons le droit de modifier ce manuel sans préavis.

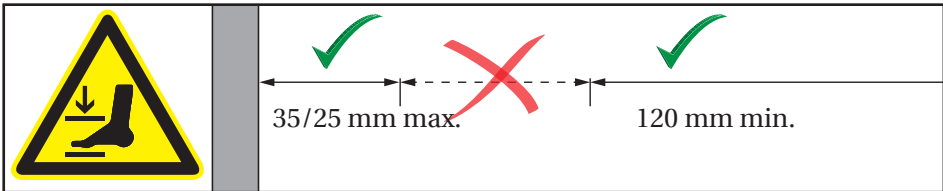
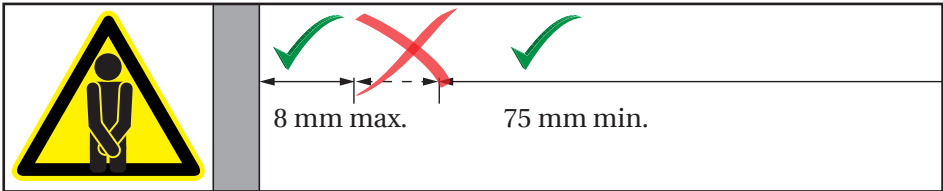
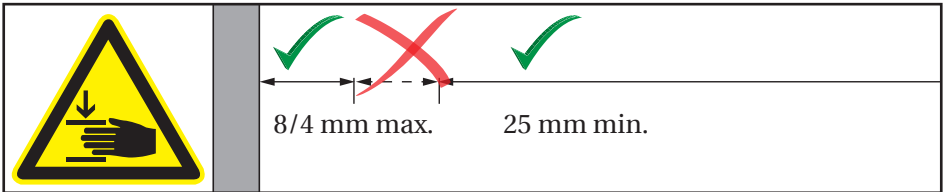
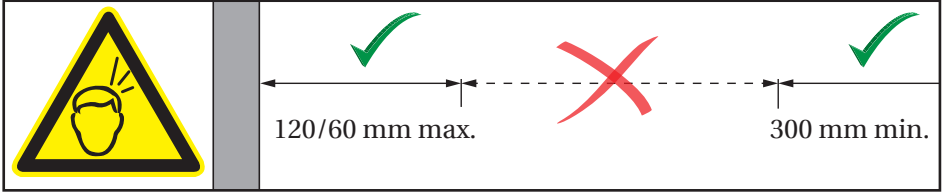
# Distances de sécurité

Assurez-vous que l'unité se trouve à une distance suffisante des objets environnants. Vérifiez les distances avant toute utilisation.



ISO 17966:2016		
	120 mm max. 300 mm min.	60 mm max. 300 mm min.
	8 mm max. 25 mm min.	4 mm max. 25 mm min.
	8 mm max. 75 mm min.	8 mm max. 75 mm min.
	35 mm max. 120 mm min.	25 mm max. 120 mm min.

fr



 **AVERTISSEMENT**

Si l'unité se déplace dans les limites des distances de sécurité, vous devez surveiller de très près les personnes et les objets environnants pour éviter tout risque d'écrasement.

## Usage prévu

Ce produit est conçu pour laver une personne qui n'est pas en mesure de tenir debout ou de s'asseoir. La personne est allongée horizontalement sur le chariot de douche.

## Profil d'opérateur prévu

Le produit est destiné à être utilisé par du personnel de soins de santé formé à laver des personnes qui lui sont confiées.

## Profil d'utilisateur prévu

Le produit peut être utilisé par toute personne - adulte, enfant, adolescent, personne âgée - dont le poids ne dépasse pas la **charge maximale de 200 kg**.

## Environnement d'exploitation

Pour un usage en intérieur dans un environnement humide tel qu'une salle de bain. Le produit est prévu pour être utilisé à température ambiante dans les vestiaires publics, les écoles, les logements privés, services hospitaliers de long séjour et hôpitaux, dans des conditions de fonctionnement normales.

### **ATTENTION**

La surface du produit peut être chaude et/ou froide si elle est exposée à des sources externes de chaleur ou de froid (par exemple, le soleil ou le gel).

### **REMARQUE**

Tout incident survenu en lien avec le produit doit être signalé au fabricant et aux autorités sanitaires.

## **Contre-indications liées à l'utilisation**

Il n'est pas recommandé d'utiliser le chariot de douche et de change pour donner un bain aux femmes enceintes.

Il n'est pas conseillé d'utiliser le chariot de douche et de change pour donner un bain aux patients perfusés ou disposant d'une pompe à insuline, aux patients présentant des maladies inflammatoires de la peau ou aux patients fébriles.

Il est possible d'utiliser le chariot de douche et de change pour donner un bain aux patients souffrant d'insuffisance cardiaque, de maladies cardiovasculaires, de traumatismes cranio-cérébraux, de plaies ouvertes ou disposant de tubulures d'alimentation ou de drainage (par ex. cathéter, tube de drainage) uniquement après avoir consulté le médecin traitant.

Ne pas utiliser si le poids du patient dépasse 200 kg.

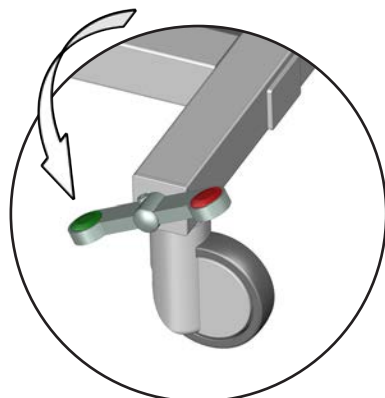
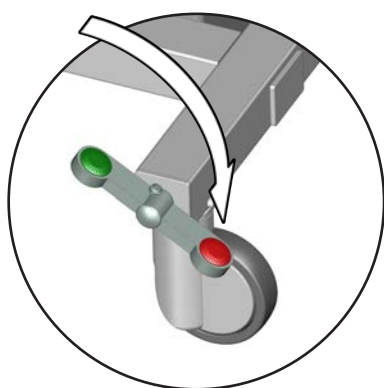
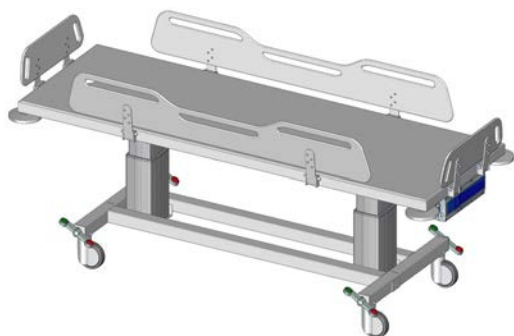
## **Biocompatibilité**

Les matériaux en contact avec la peau du patient ou de l'utilisateur lors de la procédure de changement ont été testés pour leur teneur en substances nocives conformément à la norme ISO 10993 Biocompatibilité, et sont donc considérés comme adaptés à cette fin.

# Mode d'emploi

## Freins de sécurité

Afin d'empêcher tout mouvement involontaire, le chariot de douche et de change est équipé de freins de sécurité au niveau des quatre roues pivotantes.



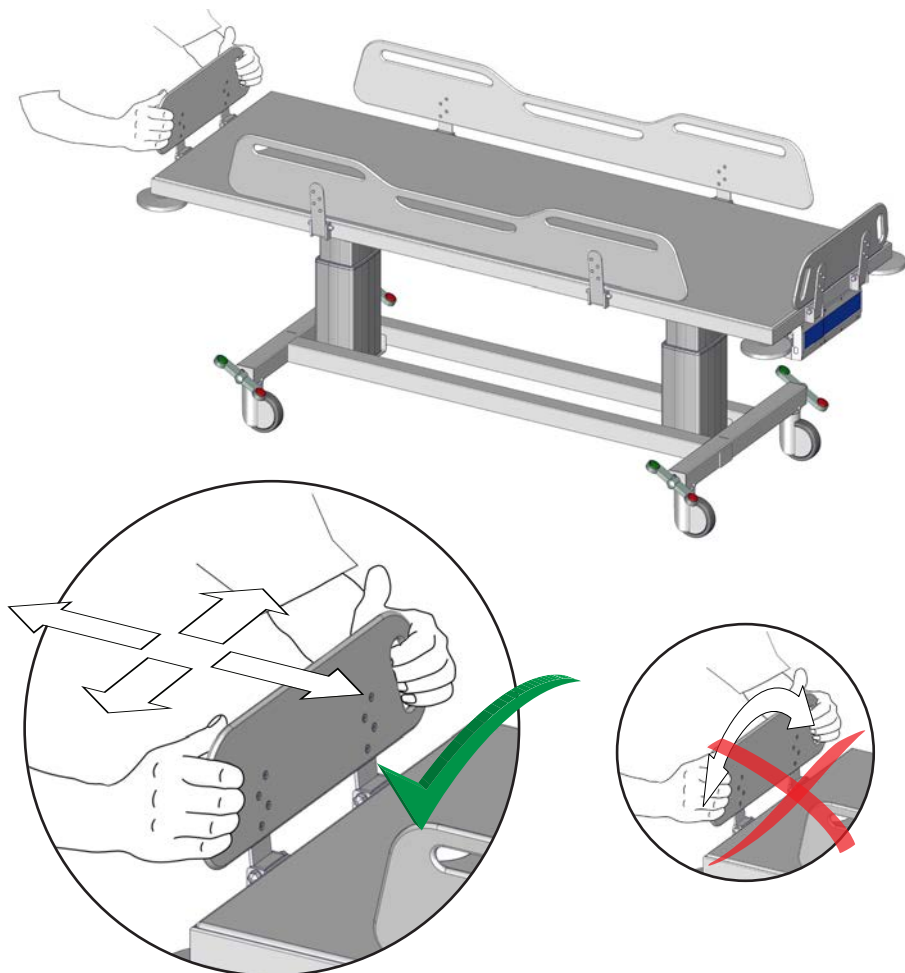
**Pour verrouiller les freins :**  
appuyez avec votre pied sur le bouton rouge situé sur l'une des quatre pédales à bascule pour verrouiller les freins de toutes les roues.

**Pour déverrouiller les freins :**  
appuyez avec votre pied sur le bouton vert situé sur l'une des quatre pédales à bascule pour déverrouiller les freins de toutes les roues.

 **AVERTISSEMENT**

Assurez-vous toujours que les freins sont verrouillés lorsque vous montez ou descendez un patient du chariot de douche et de change.

## Déplacement



fr

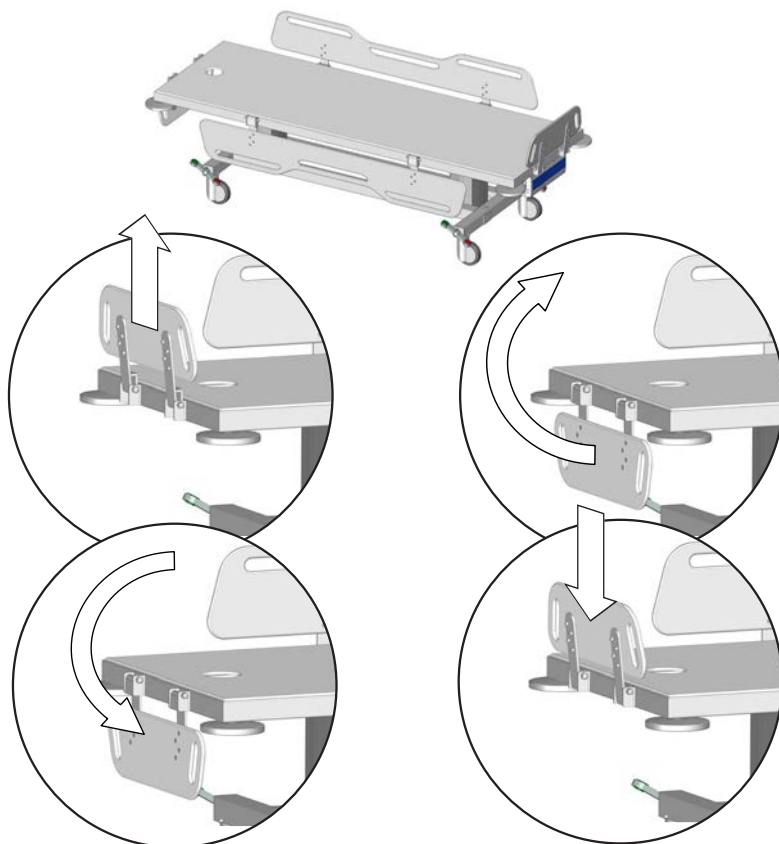
Utilisez les poignées à encoche situées sur les côtés lors du déplacement du chariot de douche et de change. Poussez droit devant dans la direction souhaitée. Ne tordez pas ou ne tournez pas le support latéral.



**Ne pas laisser un patient sans surveillance.**

## Supports latéraux

Les supports latéraux peuvent être repliés individuellement vers le haut et vers le bas pour faciliter le transfert du patient. Les supports d'extrémité peuvent être relevés ou abaissés pour faciliter l'accès aux pieds/jambes du patient (pour la mise en place de bas, etc.).



**Pour replier vers le bas** : soulevez le support latéral vers le haut pour le déverrouiller et faites-le pivoter vers le bas.

**Pour replier vers le haut** : faites pivoter le support latéral et poussez-le pour le bloquer.

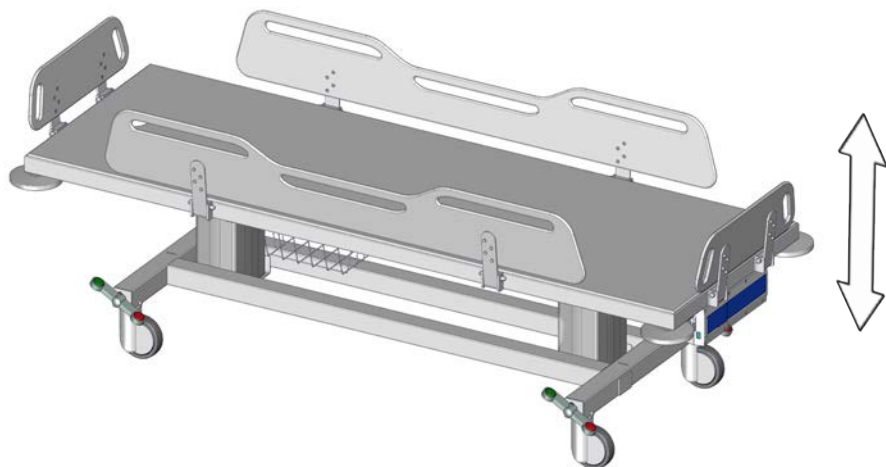


### AVERTISSEMENT

Lorsque le chariot est en cours d'utilisation, assurez-vous que tous les supports latéraux sont relevés et bloqués pour éviter toute chute du patient de l'unité.



## Réglage en hauteur



Le chariot de douche et de change peut être monté ou abaissé de 400 mm.

**Poids maximal de l'utilisateur : 200 kg**

**Charge maximale : 250 kg**

Le réglage de la hauteur s'effectue à l'aide de la télécommande filaire.



Appuyez sur la flèche du haut et maintenez-la enfoncée pour lever l'unité. Le mouvement s'arrête dès que vous relâchez la touche.



Appuyez sur la flèche du bas et maintenez-la enfoncée pour baisser l'unité. Le mouvement s'arrête dès que vous relâchez la touche.

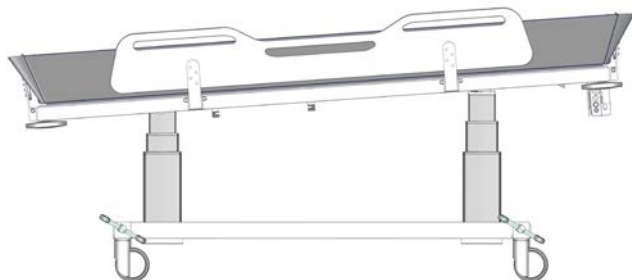


**Pour éviter tout risque d'étranglement, assurez-vous que la télécommande filaire est placée dans son support lorsqu'elle n'est pas utilisée.**



**Attention au risque de blessure des mains, des pieds et de la tête à proximité de pièces mécaniques mobiles.**

## Fonction d'inclinaison



Le chariot de douche et de change peut être incliné de 3 degrés environ pour laisser l'eau s'écouler lors de l'utilisation du matelas de douche facultatif.

La fonction d'inclinaison est contrôlée à l'aide d'une télécommande filaire.



Appuyez sur la touche d'inclinaison vers le haut et maintenez-la enfoncée pour incliner l'unité. Le mouvement s'arrête lorsque l'unité est inclinée d'environ 3 degrés ou lorsque la touche d'inclinaison vers le haut est relâchée.



Appuyez sur la touche d'inclinaison vers le bas et maintenez-la enfoncée pour mettre l'unité à plat. Le mouvement s'arrête lorsque l'unité est à plat ou lorsque la touche d'inclinaison vers le bas est relâchée.

L'unité peut encore être levée ou baissée lorsqu'elle se trouve en position inclinée.

fr

## Réinitialisation

Si la fonction d'élévation ne fonctionne pas correctement ou si les deux colonnes d'élévation ne sont pas synchronisées, essayez de réinitialiser le système d'élévation.



Appuyez sur les flèches du haut et du bas en même temps.

Les colonnes descendront après quelques secondes et vous entendrez un bip.

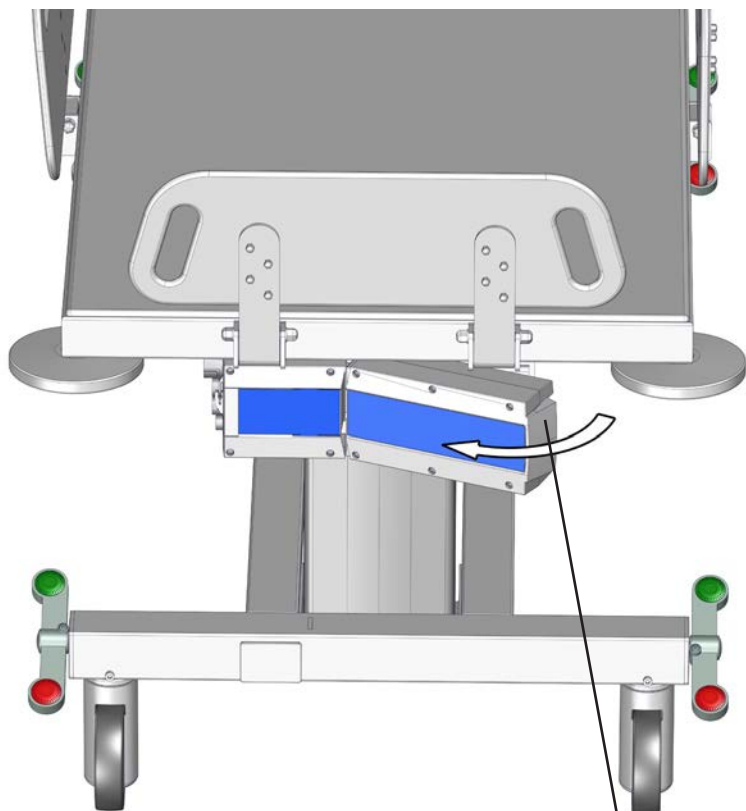


Maintenez les deux flèches enfoncées jusqu'à disparition du bip.

Les colonnes d'élévation sont désormais réinitialisées.

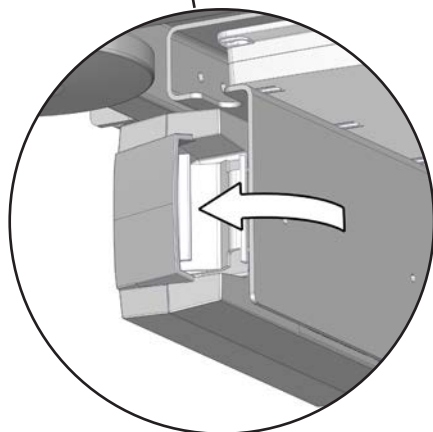
## Chargement de la batterie

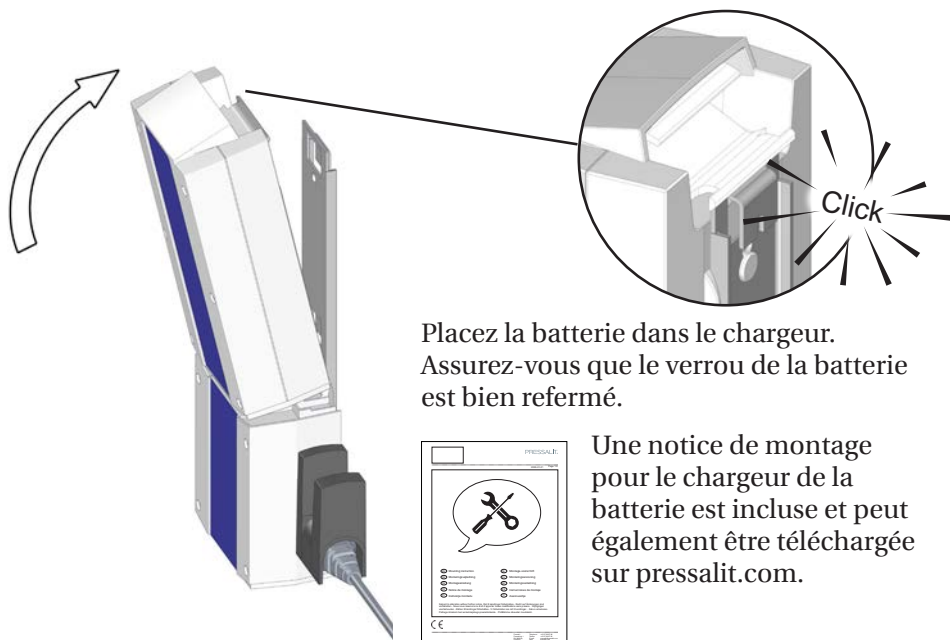
La batterie permet de régler en hauteur le chariot de douche et de change jusqu'à 30 fois lorsqu'elle est entièrement chargée.



Ouvrez le verrou pour retirer la batterie à charger.

Remplacez la batterie après l'avoir chargée avant de placer le patient sur le chariot de douche et de change.





Placez la batterie dans le chargeur.  
Assurez-vous que le verrou de la batterie  
est bien refermé.

Une notice de montage  
pour le chargeur de la  
batterie est incluse et peut  
également être téléchargée  
sur [pressalit.com](http://pressalit.com).

## ATTENTION

Lorsque la batterie est faible, un bip sonore se fait entendre lorsque vous actionnez la télécommande. Bien qu'il y ait encore suffisamment de puissance pour monter ou descendre l'unité, il est important que vous chargiez ou remplaciez la batterie immédiatement. Si vous ne le faites pas, la fonction de levage cessera bientôt de fonctionner.

## IMPORTANT

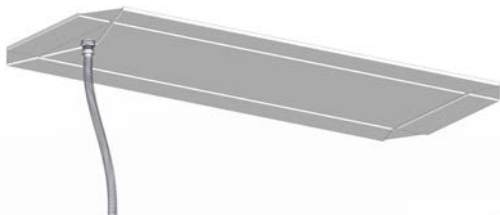
Si la batterie n'a pas été utilisée pendant plus d'une semaine, elle passe en mode veille pour économiser l'énergie et protéger la batterie. Placez la batterie dans le chargeur pendant environ 15 secondes pour quitter le mode veille avant l'utilisation.

Veuillez noter que le mode veille ou la sortie du mode veille n'est pas indiquée par un signal audio. Si l'alimentation électrique n'est toujours pas revenue après la sortie du mode veille, vous devrez charger la batterie. La batterie doit être rechargée tous les 6 mois.

# Accessoires

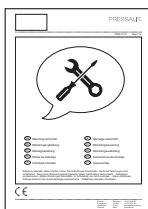
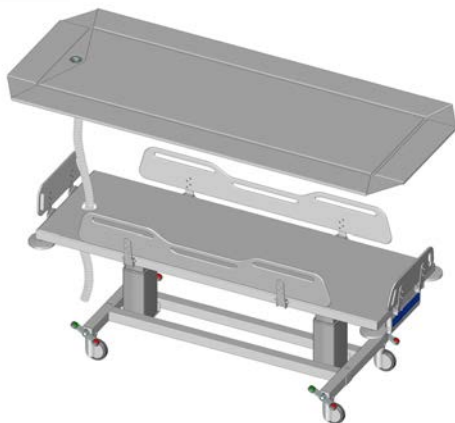
## Matelas de douche

Le chariot de douche et de change peut faire office de baignoire avec le matelas de douche facultatif (R844721 et R844717).



Fixez le tuyau d'évacuation à l'orifice d'évacuation du matelas comme indiqué dans la notice de montage fournie.

Tirez le tuyau d'évacuation à travers l'orifice d'évacuation du chariot de douche, pliez le matelas et placez-le sur le chariot. Veillez à ce que les quatre supports latéraux du chariot de douche soient relevés et bloqués.

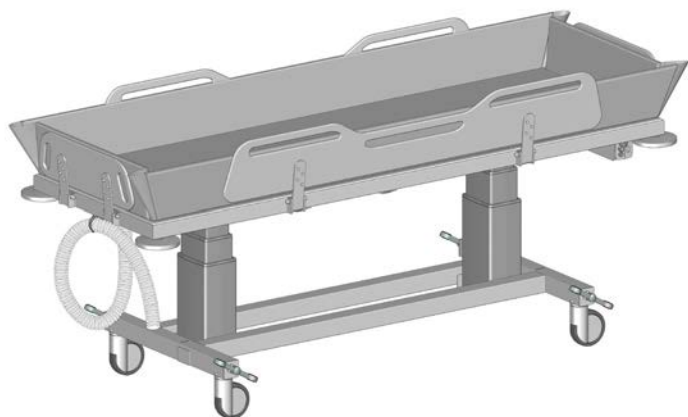


Des instructions relatives à la connexion du tuyau d'évacuation sont incluses avec le matelas de douche et peuvent également être téléchargées sur [pressalit.com](http://pressalit.com).

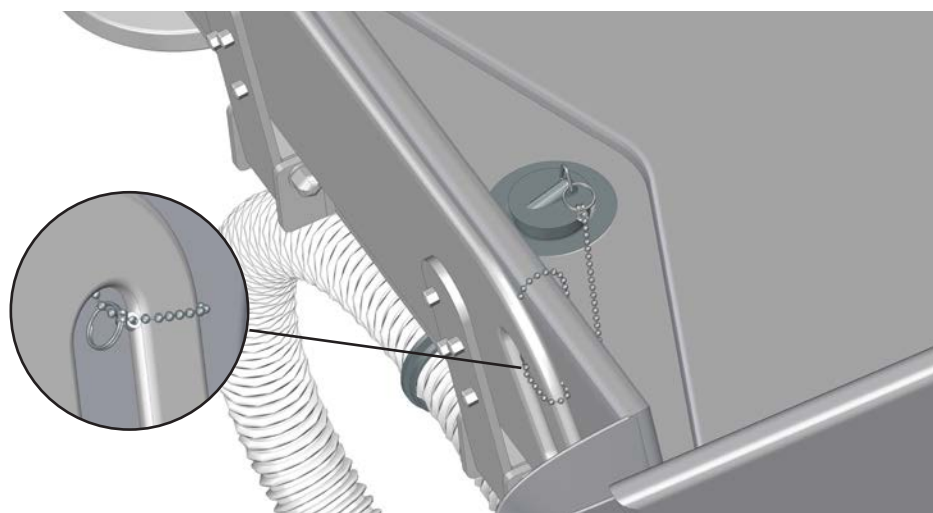
fr

## IMPORTANT

- Vérifiez régulièrement si le matelas est endommagé. Cela permettra d'éviter toute infection du matelas.
- Utilisez des gants lorsque vous manipulez le tuyau à déchets du matelas. Il peut avoir été en contact avec des déchets humains.



Enroulez le tuyau et fixez-le au support de tuyau.



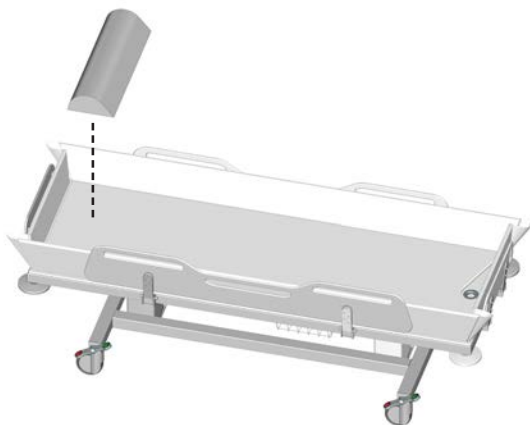
Attachez un anneau de type porte-clés de la chaîne au bouchon. Faites une boucle autour de l'une des poignées du panneau de pied à l'aide de l'autre anneau.

## IMPORTANT

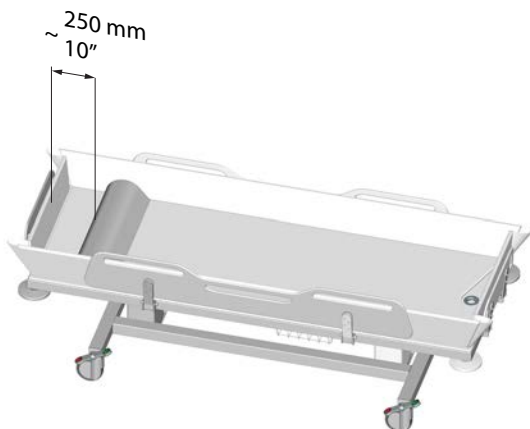
Ne déplacez pas le chariot lorsque de l'eau est présente sur le matelas de douche.

## Appui-tête

Pour un confort optimal, le matelas de douche peut être utilisé avec l'appui-tête facultatif (R844521).



Placez l'appui-tête à l'extrémité du chariot de douche, à environ 250 mm de la tête de lit.



Le matelas et l'appui-tête doivent être nettoyés à l'aide d'eau chaude ou d'un agent nettoyant légèrement savonneux. Vous trouverez une liste d'agents de nettoyage/désinfectants testés par Pressalit sur le site [pressalit.com](http://pressalit.com).

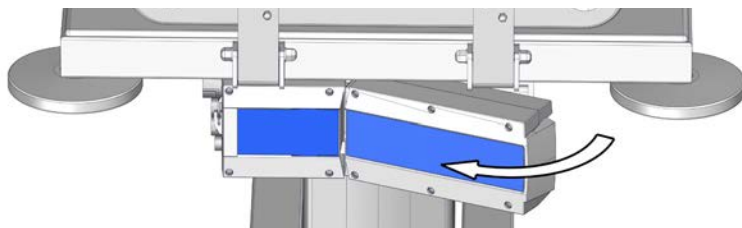
fr

### **IMPORTANT**

Vérifiez régulièrement si l'appui-tête est endommagé. Cela permettra d'éviter toute infection de l'appui-tête.

# Nettoyage

Retirez la batterie avant de nettoyer le chariot de douche et de change.



Le produit doit être nettoyé à l'aide d'eau chaude ou d'un agent nettoyant légèrement savonneux. Vous trouverez une liste d'agents de nettoyage testés par Pressalit sur le site [pressalit.com](http://pressalit.com)

## ATTENTION

Toujours lire les fiches techniques de sécurité du matériel et les notices fournies de l'agent de nettoyage, de désinfection ou de détartrage, et respecter les instructions relatives à l'utilisation sécurisée, la dilution, le rinçage, le séchage, la manipulation et le stockage de l'agent.

## IMPORTANT

- Ne pas utiliser d'autoclave ou tout autre type de nettoyeur à vapeur.
- Éviter les agents de nettoyage agressifs contenant des acides.
- Ne jamais asperger le produit directement à l'aide d'un nettoyeur haute pression.
- Pour désinfecter la surface, des désinfectants peuvent être utilisés en tenant compte des caractéristiques et des précautions de sécurité liées à ces produits.

## ATTENTION

Ne procédez à aucun type de nettoyage ou de désinfection du chariot de douche et de change lorsque le patient est allongé dessus.



# Compatibilité électromagnétique



## AVERTISSEMENT

- L'usage d'accessoires, de transducteurs et de câbles autres que ceux spécifiés ou fournis par le fabricant risquent de provoquer une augmentation des émissions électromagnétiques ou une réduction de l'immunité électromagnétique de cet équipement et d'entraîner un fonctionnement inapproprié.
- Les équipements de communication à radiofréquence portables (y compris les périphériques comme les câbles d'antenne et antennes externes) ne doivent pas être utilisés à une distance de moins de 30 cm de toute pièce de l'unité, câbles compris, afin d'éviter tout risque de dégradation des performances de cette unité.
- Il convient d'éviter toute utilisation de cet équipement conjointement ou superposée avec d'autres équipements pouvant provoquer un fonctionnement inadéquat. Si une telle utilisation est inévitable, cet équipement et les équipements utilisés conjointement doivent être inspectés pour vérifier leur fonctionnement normal.

## Émissions électromagnétiques

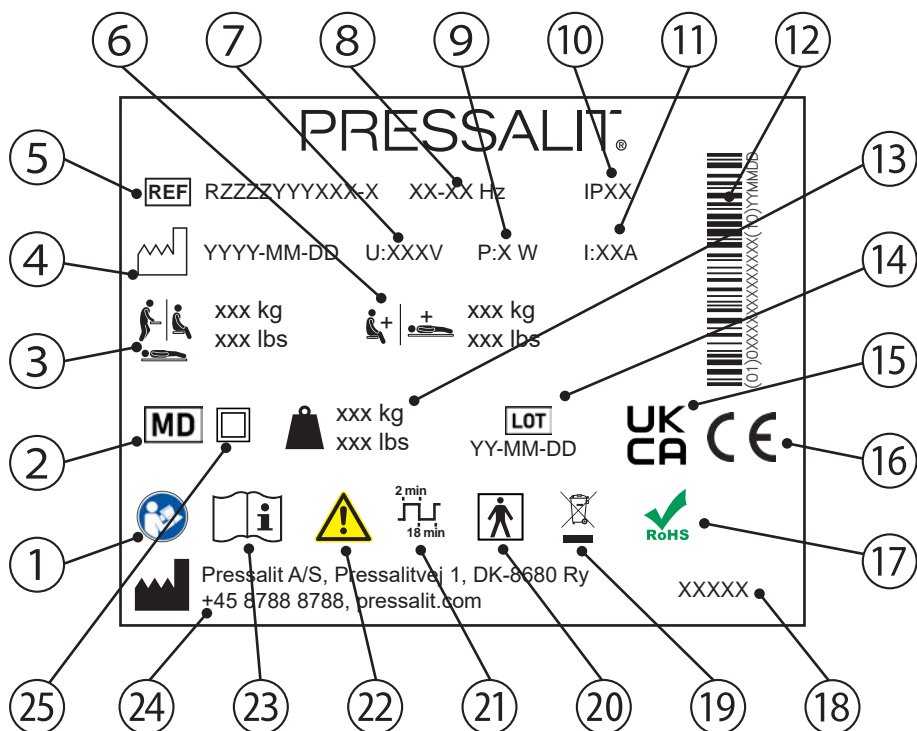
<b>Norme de test</b>	<b>Niveau / détails du test</b>	<b>Résultats du test</b>
60601-1-2 ch. 7.1.7 - CISPR 14	30 MHz à 1 GHz	Réussite

## Immunité électromagnétique

Norme de test	Niveau de conformité	Niveau / détails du test	Résultats du test
EN60601-1-2 et EN17966 (environnement de soins à domicile)	=> 10 V/m 2,7 GHz	15 V/m Gamme de fréquences : 80 MHz à 6 GHz échelon 1 %	Réussite
EN60601-1-2 (Champs de proximité des équipements de communication sans fil RF)	=> 10 V/m 2,7 GHz	15 V/m Gamme de fréquences : 385 à 5785 MHz	Réussite
CEI 61000-4-4 (Transitoires électriques rapides / rafales)		Simulation d'impulsions rapides	Réussite
Perturbations induites par les RF	Soumission à impulsions, 6 V	Soumission à impulsions, 10 V	Réussite
Décharge électrostatique		Décharge d'électricité statique émise par une personne sur l'unité, 8 kV et 15 kV	Réussite (*)

\* Si une décharge d'électricité statique est émise par une personne au niveau ou à proximité du boîtier de commande du chariot de douche, un dysfonctionnement peut se produire au niveau des colonnes d'élévation, et une réinitialisation doit être effectuée. Reportez-vous à « **Réinitialisation** ».

# Étiquette du produit



① Consulter le manuel d'utilisation

② Dispositif médical

③ Poids maximal de l'utilisateur

④ Date de fabrication

⑤ Numéro d'article

⑥ Charge maximale

⑦ Tension de secteur

⑧ Fréquence

⑨ Consommation électrique maximum

⑩ Classe IP

---

⑪ Courant électrique

---

⑫ Code-barres GS1-128

---

⑬ Poids du produit

---

⑭ Code du lot

---

⑮ Conformité R.-U. évaluée

---

Ces produits portent la marque CE conformément aux exigences pertinentes de :

- Règlement (UE) 2017/745 (du 5 avril 2017) relatif aux dispositifs médicaux.

⑯

- La directive 2006/42/CE du Conseil (du 17 mai 2006) sur les machines.

- La directive 2011/65/UE du Conseil (du 8 juin 2011) dite RoHS.

Une déclaration de conformité est disponible sur [pressalit.com](http://pressalit.com)

---

⑰ Ce produit ne contient aucune des substances dangereuses mentionnées dans la Directive RoHS 2011/65/CE du Conseil.

---

⑱ Nom de produit (le cas échéant)

---

⑲ Ne pas le mettre au rebut sous forme de déchets municipaux non triés. Le produit doit être collecté séparément des autres déchets et renvoyé au service de recyclage désigné.

---

⑳ Pièce appliquée de type BF. Pièce du produit qui, dans des conditions normales d'utilisation, est obligatoirement en contact avec le patient pour remplir sa fonction. Le produit est conforme aux exigences de protection contre les chocs électriques de la norme CEI 60601-1.

---

㉑ Cycle de service

---

㉒ Consulter le manuel pour les mises en garde importantes telles que les avertissements et les précautions

---

㉓ Consulter le manuel d'utilisation

---

㉔ Nom et adresse du fabricant

---

㉕ Appareil électrique à double isolation

---

# Stockage et transport

- La température de stockage et de transport de l'unité doit être comprise entre 5 et 40 °C.
- L'unité doit toujours être transportée dans son emballage d'origine.
- Évitez de soumettre l'emballage à des chocs et des impacts.
- N'utilisez pas le produit si l'emballage est détérioré ou endommagé.

## Dépannage

Problème	Cause	Mesure
Pas d'électricité.	Batterie déchargée.	Rechargez la batterie. Reportez-vous à « <b>Chargement de la batterie</b> ».
Pas d'électricité.	La batterie est en mode veille.	Placez la batterie dans le chargeur pendant environ 15 secondes. Reportez-vous à « <b>Chargement de la batterie</b> ».
Le chariot de douche est asymétrique même si la fonction d'inclinaison n'est pas activée.	Les colonnes d'élévation sont désynchronisées.	Réinitialisez les colonnes d'élévation. Reportez-vous à « <b>Réinitialisation</b> ».
Impossible de lever ou de baisser le chariot de douche.	Si une décharge d'électricité statique est émise par une personne à proximité du boîtier de commande, un dysfonctionnement peut se produire au niveau des colonnes d'élévations.	Réinitialisez les colonnes d'élévation. Reportez-vous à « <b>Réinitialisation</b> ».

Contactez Pressalit A/S ou votre représentant local si vous ne parvenez pas à résoudre le problème. N'essayez pas de réparer vous-même le produit car cela annulerait la garantie.

La durée de vie prévue du chariot de douche et de change est de 10 ans.

## Mise au rebut et recyclage

L'unité contient des matériaux réutilisables. Il n'y a aucun risque connu associé à la mise au rebut du produit. Tous les composants peuvent être mis au rebut après avoir été nettoyés et désinfectés.

Lors de la mise au rebut du produit, nous recommandons de le démonter et de le décomposer en différents groupes de déchets en vue de leur recyclage ou incinération.

Le tableau suivant fournit des informations sur le recyclage et la manipulation du produit.

<b>Composants recyclables</b>	<b>Matériau</b>
Acier	L'acier peut être recyclé en étant fondu et inclus en tant que matériau secondaire dans la production d'acier nouveau.
Matières synthétiques	Utilisez les systèmes locaux de tri et de recyclage des matières synthétiques. Alternativement, l'incinération des matières synthétiques présente l'avantage de générer de l'énergie qui peut être utilisée, par exemple, pour la production combinée de chaleur et d'électricité.
Composants électroniques	Les composants électroniques doivent être collectés séparément des autres déchets et renvoyés au service de recyclage désigné.
Batteries	Les batteries doivent être mises au rebut conformément aux réglementations locales.

# Inhoud

Symbolen die in deze handleiding worden gebruikt .....	112
Algemene veiligheid .....	114
Veiligheidsafstand .....	115
Beoogd gebruik .....	117
Profiel van beoogde bediener .....	117
Profiel van beoogde gebruiker .....	117
Gebruiksomgeving .....	117
Contra-indicaties voor gebruik .....	118
Biocompatibiliteit .....	118
Gebruiksaanwijzingen .....	119
Veiligheidsremmen .....	119
Verplaatsen .....	120
Zijsteunen .....	121
Hoogteafstelling .....	122
Kantelfunctie .....	123
Resetten .....	123
De accu opladen .....	124
Accessoires .....	126
Douchematras .....	126
Hoofdsteun .....	128
Reinigen .....	129
Elektromagnetische compatibiliteit .....	130
Elektromagnetische emissie .....	130
Elektromagnetische immuniteit .....	131
Productlabel .....	132
Opslag en transport .....	134
Probleemoplossing .....	134
Afvoer en recycling .....	135

# Symbolen die in deze handleiding worden gebruikt

De volgende symbolen worden gebruikt in deze handleiding en de bijbehorende documentatie die met het product is meegeleverd.

## **WAARSCHUWING**

**WAARSCHUWING** geeft een mogelijk gevaarlijke situatie aan die, indien niet vermeden, kan leiden tot overlijden of ernstig letsel.

## **LET OP**

**LET OP** geeft een mogelijk gevaarlijke situatie aan die, indien niet vermeden, kan leiden tot licht of matig letsel. 'Let op' kan ook worden gebruikt om de gebruiker te waarschuwen voor onveilige praktijken.

## **BELANGRIJK**

**BELANGRIJK** geeft belangrijke informatie aan over het hanteren en gebruiken van het product.

## **OPMERKING**

**OPMERKING** wordt gebruikt om praktijken aan te duiden die geen betrekking hebben op de persoonlijke veiligheid.



Waarschuwing voor  
hoofdletsel



Waarschuwing voor handletsel





Waarschuwing voor letsel aan  
genitaliën



Waarschuwing voor letsel aan  
voeten



Laat de patiënt nooit zonder toezicht achter



Compatibele producten



Reserve-onderdelen



Max. gewicht gebruiker



Artikelnummer/-uitvoeringen



Gewicht van product



Elektrische gegevens

nl

# Algemene veiligheid



## WAARSCHUWING

- Lees de handleiding vóór gebruik volledig door en zorg dat u deze begrijpt. Houd de handleiding in de buurt van de eenheid.
- Houd u aan deze handleiding om ongelukken met ernstig persoonlijk letsel te voorkomen.
- Gebruik of hanteer dit product nooit op een andere manier dan in deze handleiding staat beschreven, omdat dit uw veiligheid in gevaar kan brengen en schade aan het product kan veroorzaken.
- Zorg ervoor dat iedereen die het product en de bijbehorende systemen gaat plaatsen of gebruiken, is voorzien van de benodigde informatie en toegang heeft tot deze handleiding.



## LET OP

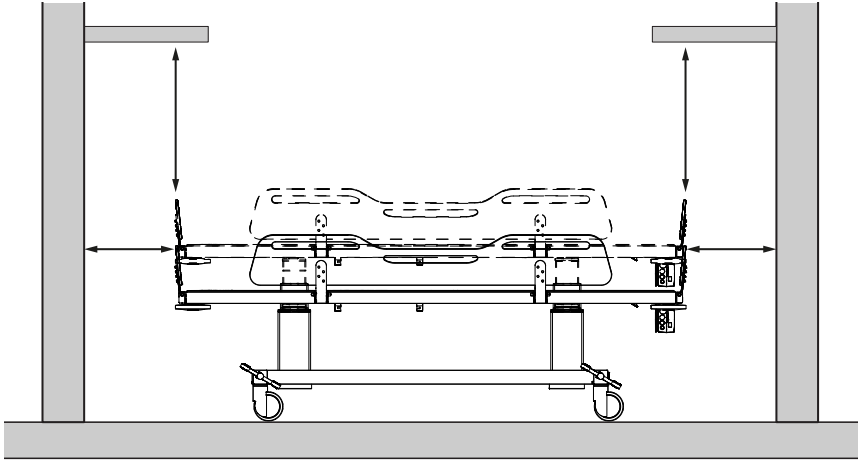
- Volg deze instructies op om te voorkomen dat het product wordt beschadigd of vernietigd.
- Voer geen reparaties, (de)montagewerkzaamheden, uitbreidingen, afstellingen of aanpassingen uit met betrekking tot dit product. Deze werkzaamheden mogen uitsluitend worden uitgevoerd door Pressalit of door personen die door Pressalit zijn gemachtigd.
- Kinderen mogen nooit zonder toezicht dit product bedienen. Dit product is geen speelgoed.
- Gebruik dit product nooit als het defect of beschadigd is. Gebruik het product niet voordat het is gerepareerd.







## OPMERKING

- De informatie in deze handleiding is gebaseerd op een juiste passing van het product conform onze montage-instructies.
- Pressalit is niet aansprakelijk wanneer het product wordt gebruikt op een manier die afwijkt van de in de gids beschreven manier.
- We behouden ons het recht voor deze handleiding aan te passen zonder voorafgaande kennisgeving.

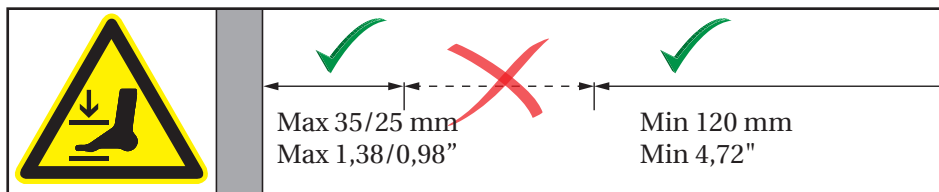
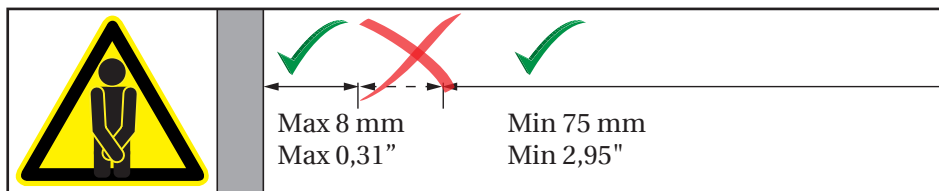
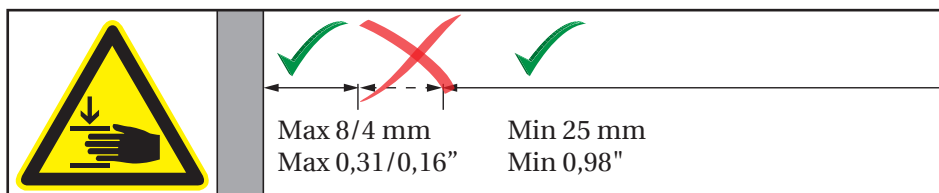
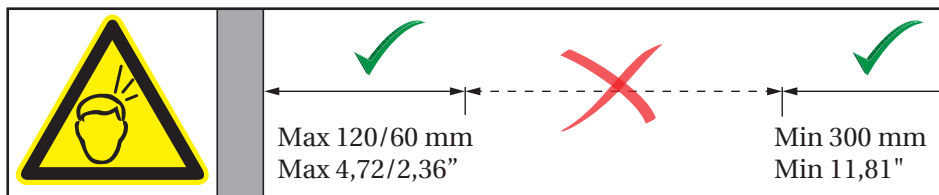
# Veiligheidsafstand

Zorg voor voldoende afstand tussen het apparaat en omringende voorwerpen. Controleer vóór gebruik de afstanden.



ISO 17966:2016		
	Max 120 mm (4,72") Min 300 mm (11,81")	Max 60 mm (2,36") Min 300 mm (11,81")
	Max 8 mm (0,31") Min 25 mm (0,98")	Max 4 mm (0,16") Min 25 mm (0,98")
	Max 8 mm (0,31") Min 75 mm (2,95")	Max 8 mm (0,31") Min 75 mm (2,95")
	Max 35 mm (1,38") Min 120 mm (4,72")	Max 25 mm (0,98") Min 120 mm (4,72")

nl



## WAARSCHUWING

Als het apparaat zich binnen de veiligheidsafstanden beweegt, moet u bijzonder goed op de omringende personen en voorwerpen letten om beknellingsgevaar te voorkomen.

## Beoogd gebruik

Dit product is bedoeld voor het wassen van een persoon die niet zelf kan staan of zitten. De persoon ligt horizontaal op de douchebrancard.

### Profiel van beoogde bediener

Het product dient te worden bediend door personeel dat is opgeleid in de gezondheidszorg en het wassen van een persoon voor wie zij zorg dragen.

### Profiel van beoogde gebruiker

Het product kan door iedereen - volwassenen, kinderen, jongeren, ouderen - met een **maximaal lichaamsgewicht van 200 kg** worden gebruikt.

### Gebruiksomgeving

Voor gebruik binnenshuis in een natte omgeving, zoals een badkamer of wasruimte. Het product is bedoeld om bij kamertemperatuur te worden gebruikt in openbare omkleedruimtes, scholen, woningen, verpleeghuizen en ziekenhuizen onder normale bedrijfsomstandigheden.



Het oppervlak van het product kan heet en/of koud worden als het wordt blootgesteld aan externe warmte- of koudebronnen als zonlicht of vorst.

## OPMERKING

Ieder serieus incident dat heeft plaats gevonden in relatie tot het product dient te worden gemeld aan de fabrikant en de gezondheidskundige autoriteiten.

## **Contra-indicaties voor gebruik**

Het wordt afgeraden om zwangere vrouwen te laten douchen op de douchebrancard.

Het wordt afgeraden om patiënten met een infuus- of insulinepomp, ontstekingsziekten van de huid of patiënten met koorts te laten douchen op de douchebrancard.

Patiënten met hartinsufficiëntie, hart- en vaatziekten, hersenletsel, open wonden, voedingsinfusen of drains (bijv. katheter, drainageslang) mogen pas na overleg met de behandelend arts op de douchebrancard worden gedoucht.

Niet gebruiken bij een patiënt die zwaarder is dan 200 kg.

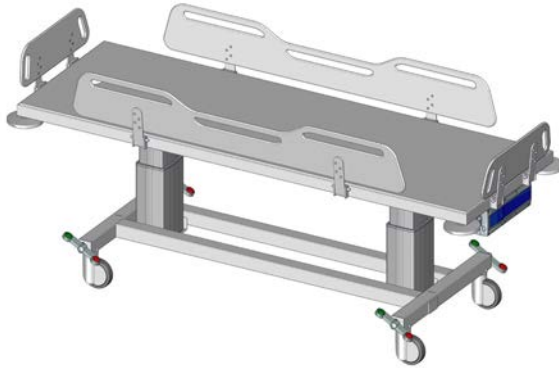
## **Biocompatibiliteit**

De materialen die tijdens het aankleden in contact komen met de huid van de patiënt of de gebruiker, zijn getest op hun gehalte aan schadelijke stoffen volgens de norm EN ISO 10993 betreffende biocompatibiliteit en worden daarom geschikt geacht voor dit doel.

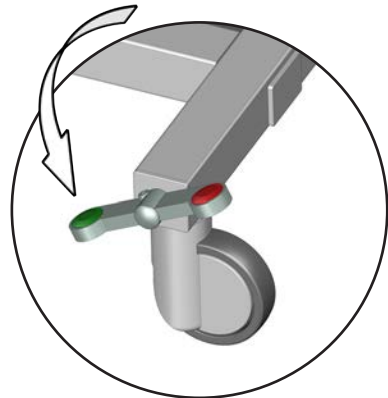
# Gebruiksaanwijzing

## Veiligheidsremmen

De douchebrancard is voorzien van veiligheidsremmen op alle vier de zwenkwielen, zodat hij niet onbedoeld kan weggrollen.



**De remmen vergrendelen:** Druk op de rode knop op één van de vier schakelpedalen om de remmen van alle vier de wielen te vergrendelen.

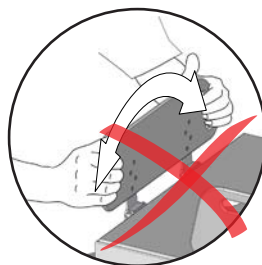
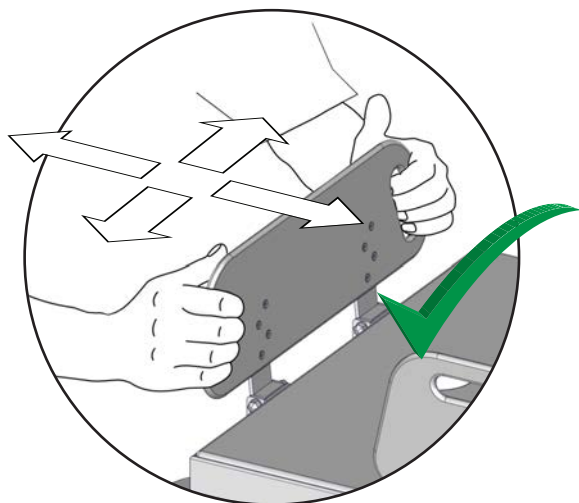
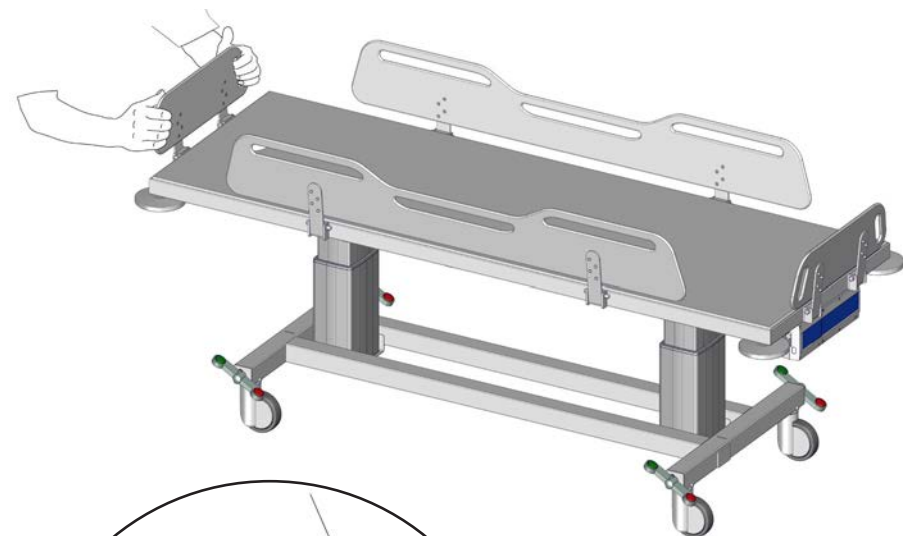


**De remmen ontgrendelen:** Druk op de groene knop op één van de vier schakelpedalen om de remmen van alle vier de wielen te ontgrendelen.

 **WAARSCHUWING**

Zorg er altijd voor dat de remmen vergrendeld zijn als u een patiënt op de douchebrancard legt of ervan afhaalt.

## Verplaatsen



Gebruik de uitgesneden grepen aan de zijsteunen bij het verplaatsen van de douchebrancard. Duw recht vooruit in de gewenste richting. Draai niet aan de zijsteun.

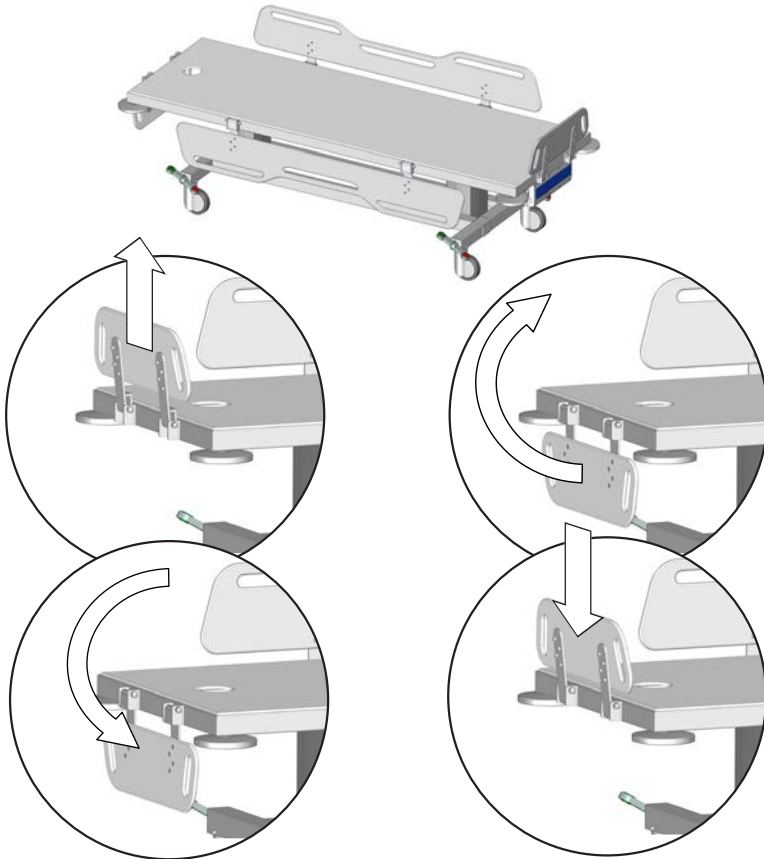


**Laat de patiënt nooit zonder toezicht achter.**



## Zijsteunen

De zijsteunen kunnen afzonderlijk omhoog en omlaag geklapt worden zodat de patiënt eenvoudig vervoerd kan worden. De eindsteunen kunnen afzonderlijk omhoog en naar beneden worden geklapt voor een gemakkelijke toegang tot de voeten/benen van de patiënt (voor het aantrekken van kousen, enz.).



**Neerklappen:** Til de zijsteun naar boven om hem te ontgrendelen en zwaai hem naar beneden.

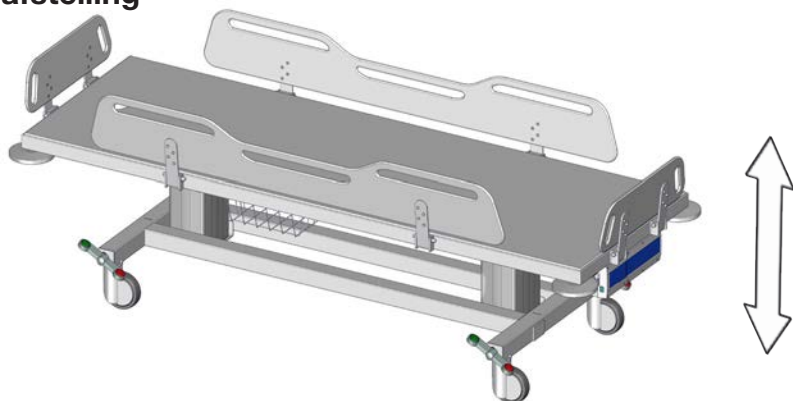
**Omhoogklappen:** Zwaai de zijsteun omhoog en duw hem naar beneden om hem vast te zetten.



**WAARSCHUWING**

Als de tafel in gebruik is, zorg er dan voor dat alle zijsteunen rechtop staan en vergrendeld zijn, zodat de patiënt niet van de tafel kan vallen.

## Hoogteafstelling



De douchebrancard kan 400 mm omhoog of omlaag worden veresteld.

**Max. gewicht gebruiker: 200 kg**

**Max. belastbaarheid: 250 kg**

De hoogteafstelling kan worden geregeld met de bedrade afstandsbedieningseenheid.



Druk op de knop Omhoog en houd deze ingedrukt om de tafel omhoog te brengen. De tafel stopt met bewegen wanneer u de knop loslaat.



Druk op de knop Omlaag en houd deze ingedrukt om de tafel naar beneden te brengen. De tafel stopt met bewegen wanneer u de knop loslaat.

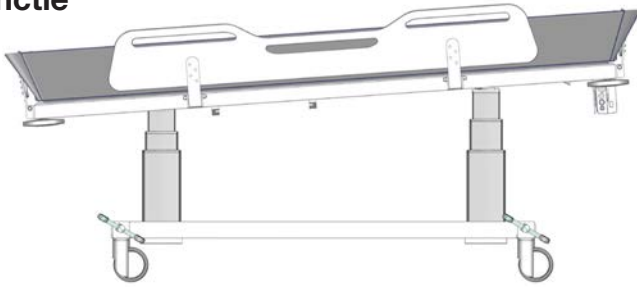


**Om het risico op wurging te voorkomen, dient u ervoor te zorgen dat de bedrade afstandsbediening in de houder wordt geplaatst wanneer deze niet wordt gebruikt.**



**Wees voorzichtig om letsel aan uw handen, voeten en hoofd te voorkomen wanneer u zich in de buurt bevindt van bewegende mechanische onderdelen.**

## Kantelfunctie



De douchebrancard kan ongeveer 3 graden gekanteld worden om het water te laten weglopen bij gebruik van het optionele douchematras.

De kantelfunctie wordt geactiveerd door de bedrade afstandsbediening.



Druk op de knop Omhoog kantelen en houd deze ingedrukt om de brancard te kantelen. De beweging stopt als de brancard ongeveer 3 graden is gekanteld of als de knop Omhoog kantelen wordt losgelaten.



Druk op de knop Omlaag kantelen en houd deze ingedrukt om de brancard in vlakke positie te brengen. De beweging stopt als de brancard vlak is of als de knop Omlaag kantelen wordt losgelaten.

Het is nog steeds mogelijk om de brancard in gekantelde positie omhoog en omlaag te brengen.

## Resetten

Als de heffunctie niet goed werkt of als de twee hefkolommen niet synchroon lopen, probeer dan het hefsysteem te resetten.



Houd de knop Omhoog en de knop Omlaag tegelijkertijd ingedrukt.



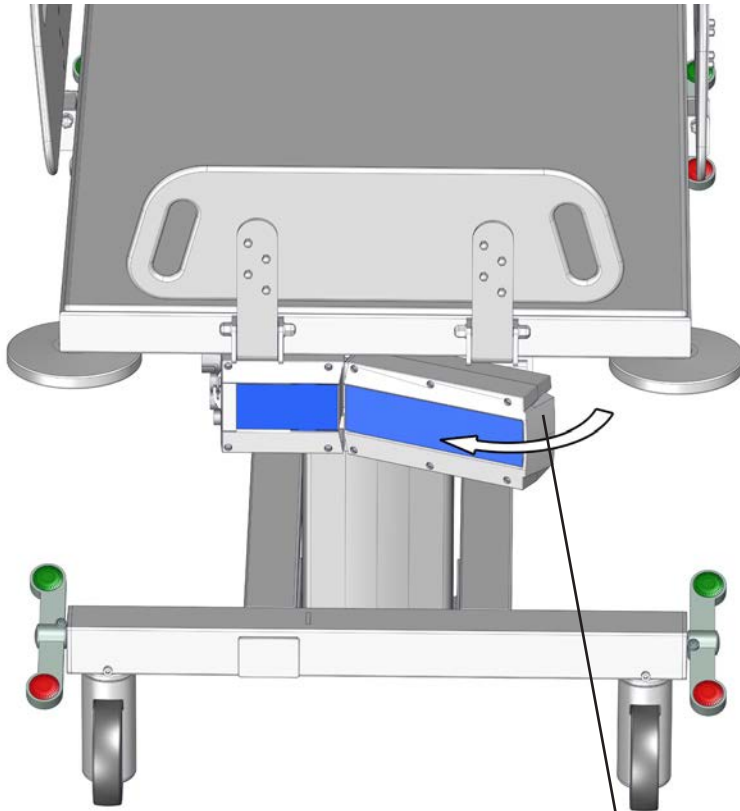
De kolommen zullen na een paar seconden naar beneden gaan terwijl er een pieptoon klinkt.

Houd beide knoppen ingedrukt tot de pieptoon verdwijnt.

De hefkolommen worden nu gereset.

## De accu opladen

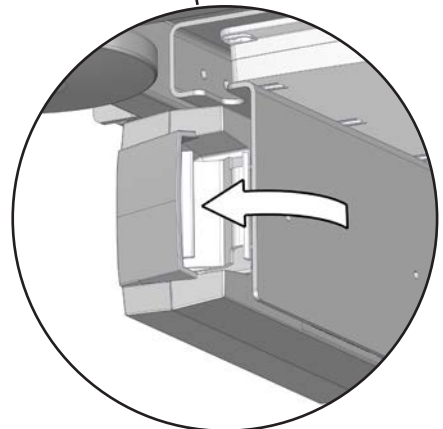
De accu kan de douchebrancard tot 30 keer in hoogte verstellen als deze volledig is opgeladen.

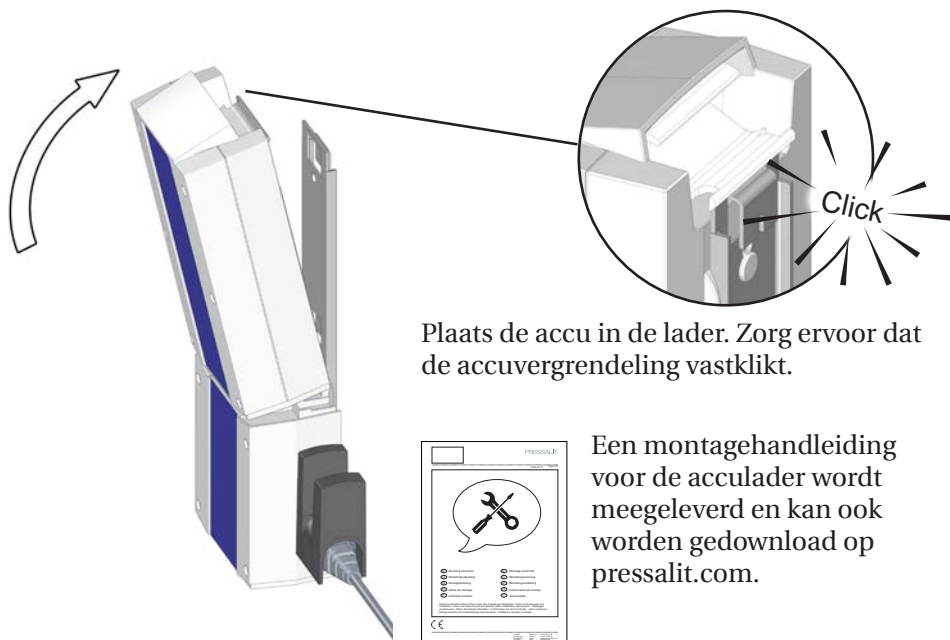


nl

Ontgrendel de vergrendeling om de accu te verwijderen voor het opladen.

Plaats de accu na het opladen weer terug voordat u de patiënt op de douchebrancard plaatst.





Plaats de accu in de lader. Zorg ervoor dat de accuvergrendeling vastklikt.

Een montagehandleiding voor de acculader wordt meegeleverd en kan ook worden gedownload op [pressalit.com](http://pressalit.com).

## ! LET OP

Als de batterij bijna leeg is, klinkt er een pieptoon wanneer u de afstandsbediening bedient. Hoewel er nog voldoende stroom is om het apparaat omhoog of omlaag te bewegen, is het van het grootste belang dat u de batterij onmiddellijk oplaadt of vervangt. Als u dit niet doet, zal de heffunctie binnenkort stoppen met werken.

## BELANGRIJK

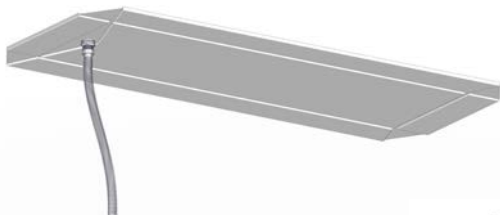
Als de accu langer dan een week niet is gebruikt, gaat deze in de stand-by-modus om energie te besparen en de accu te beschermen. Plaats de accu ca. 15 seconden in de lader om de stand-by-modus op te heffen voor gebruik.

Houd er rekening mee dat er geen geluidssignaal is om de stand-by-modus of het verlaten van de stand-by-modus aan te geven. Als er na het verlaten van de stand-by-modus nog steeds geen stroom is, moet de accu worden opgeladen. De accu moet elke 6 maanden worden opgeladen.

# Accessoires

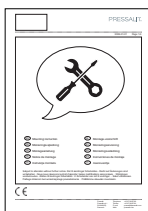
## Douchematras

De douchebrancard kan met het optionele douchematras worden gebruikt als badkuip (R844721 en R844717).



Sluit de afvoerslang volgens de bijgevoegde montage-instructies aan op de afvoer van het matras.

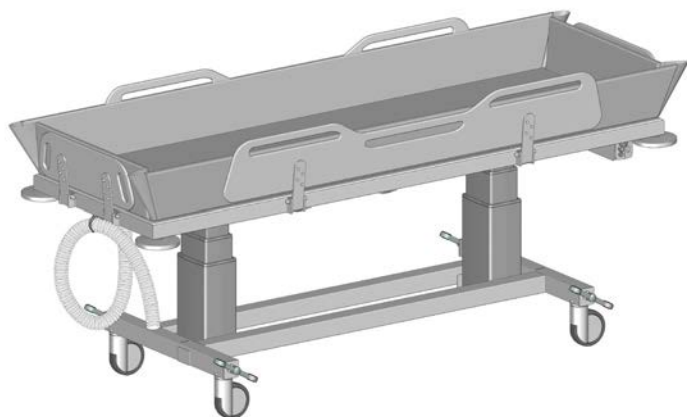
Trek de afvoerslang door het afvoergat van de douchebrancard, vouw het matras op en leg het op de brancard. Zorg ervoor dat alle vier de zijsteunen van de douchebrancard opgevouwen en vergrendeld zijn.



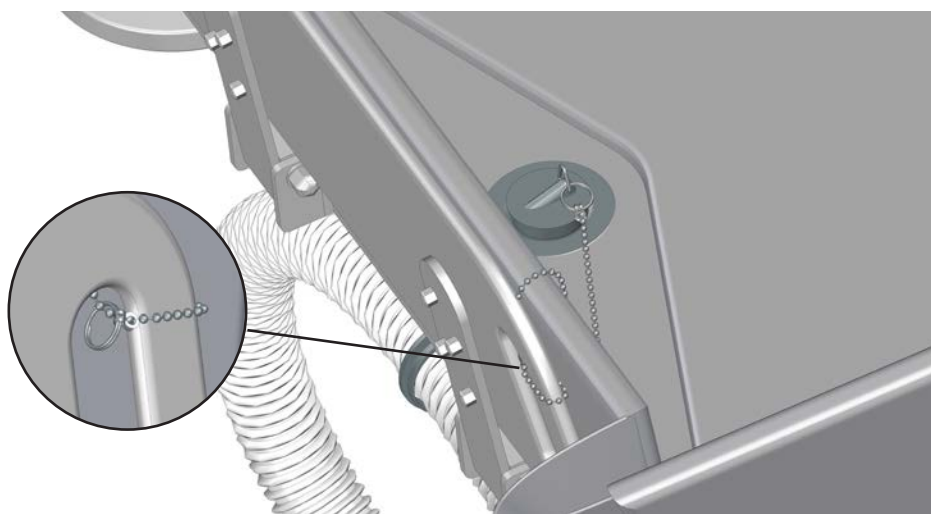
Een handleiding voor het bevestigen van de afvoerslang wordt bij het douchematras meegeleverd en kan ook worden gedownload op [pressalit.com](http://pressalit.com).

## BELANGRIJK

- Controleer het matras regelmatig op beschadigingen. Dit voorkomt dat het matras besmet raakt.
- Gebruik handschoenen bij het hanteren van de afvoerslang voor het matras. Deze kan in contact zijn geweest met menselijk afval.



Rol de slang op en hang hem aan de slangbeugel.



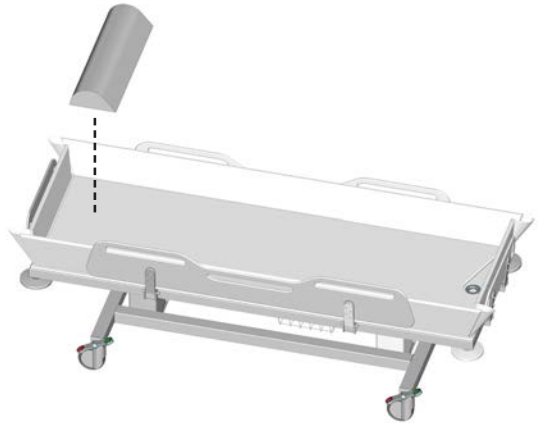
Bevestig een ring van de ketting aan de stop. Maak met de andere ring een lus rond een van de handgrepen van het voeteneind.

## **BELANGRIJK**

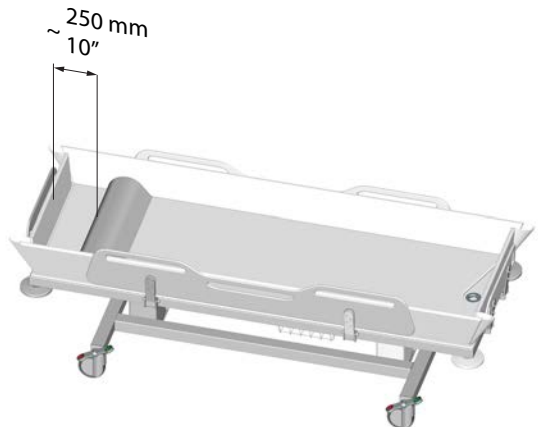
Verplaats de brancard niet als er water in het douchematras ligt.

## Hoofdsteun

Het douchematras kan worden gebruikt met de optionele hoofdsteun voor optimaal comfort (R844521).



Plaats de hoofdsteun aan het hoofdeinde van de douchebrancard, op ongeveer 250 mm van het hoofdbord.



Het matras en de hoofdsteunen dienen met warm water of een mild reinigingsmiddel te worden gereinigd. Een lijst met geschikte reinigingsmiddelen/desinfectiemiddelen die zijn getest door Pressalit vindt u op [pressalit.com](http://pressalit.com)

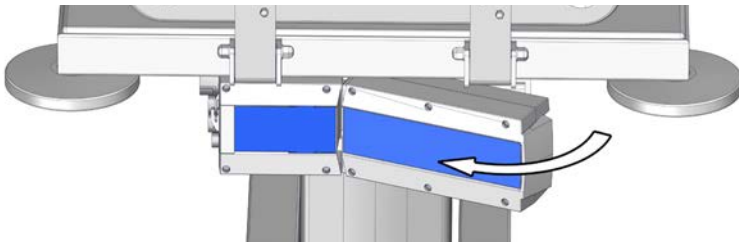
### **BELANGRIJK**

Controleer de hoofdsteun regelmatig op beschadigingen. Dit voorkomt dat de hoofdsteun besmet raakt.



# Reinigen

Verwijder de accu voordat u de douchebrancard reinigt.



Het product dient met warm water of een mild reinigingsmiddel te worden gereinigd. Een lijst met geschikte reinigingsmiddelen die zijn getest door Pressalit vindt u op [pressalit.com](http://pressalit.com)

## ! LET OP

Lees altijd het veiligheidsinformatieblad (MSDS) en de geleverde instructies voor het reinigings-, desinfectie- of ontkalkingsmiddel en volg alle instructies voor veilig gebruik, verdunnen, spoelen, drogen, hanteren en opslag van het middel op.

## BELANGRIJK

- Gebruik geen autoclaaf of een andere stoomreiniger.
- Vermijd het gebruik van agressieve reinigingsmiddelen die zuur bevatten.
- Spuit nooit rechtstreeks met een hogedrukspuit op het product.
- Voor het desinfecteren van het oppervlak mogen desinfectiemiddelen op basis van chloor worden gebruikt volgens de productspecificatie en veiligheidsvoorschriften voor deze producten.

## ! LET OP

Voer geen enkele vorm van reiniging of desinfectie van de douchebrancard uit terwijl de patiënt erop ligt.

# Elektromagnetische compatibiliteit

## **WAARSCHUWING**

- Het gebruik van andere accessoires, omzeters en kabels dan die welke door de fabrikant zijn gespecificeerd of geleverd, kan resulteren in verhoogde elektromagnetische emissies of verminderde elektromagnetische immuiniteit van deze apparatuur en een onjuiste werking tot gevolg hebben.
- Draagbare RF-communicatieapparatuur (met inbegrip van randapparatuur zoals antennekabels en externe antennes) mag niet dichter dan 30 cm (12 inches) bij enig deel van het apparaat met inbegrip van de kabels, worden gebruikt om verslechtering van de prestaties van dit apparaat te voorkomen.
- Het gebruik van deze apparatuur naast of gestapeld op andere apparatuur dient te worden vermeden omdat dit kan leiden tot een onjuiste werking. Indien gebruik op deze wijze noodzakelijk is, moeten deze apparatuur en de andere apparatuur worden gecontroleerd om na te gaan of deze normaal functioneren.

## Elektromagnetische emissie

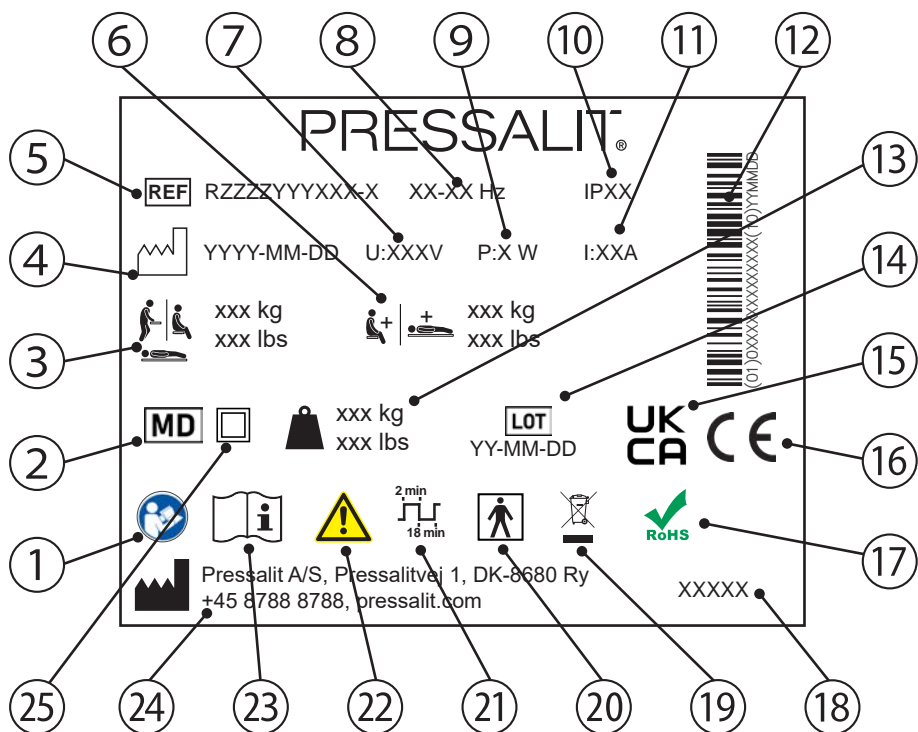
<b>Testnorm</b>	<b>Testniveau/-details</b>	<b>Testresultaten</b>
60601-1-2 hfdst. 7.1.7 - CISPR 14	30 MHz - 1 GHz	Geslaagd

## Elektromagnetische immuniteit

Testnorm	Nalevings-niveau	Testniveau/-details	Testresultaten
EN60601-1-2 en EN17966 (Thuiszorg-omgeving)	=> 10 V/m 2,7 GHz	15 V/m Frequentiebereik: 80 MHz - 6 GHz 1% stapgrootte	Geslaagd
EN60601-1-2 (Nabijheidsvelden van draadloze RF-communicatie-apparatuur)	=> 10 V/m 2,7 GHz	15 V/m Frequentiebereik: 385 - 5785 MHz	Geslaagd
IEC 61000-4-4 (Snelle elektrische transiënten / lawines)		Snelle pulssimulatie	Geslaagd
Geleide storingen veroorzaakt door RF	Pulsonderdrukking, 6 V	Pulsonderdrukking, 10V	Geslaagd
Elektrostatische-ontlading		Ontlading van statisch geladen persoon op apparaat, 8 kV en 15 kV	Geslaagd (*)

\* Als een statisch geladen persoon op of in de buurt van de bedieningseenheid van de douchebrancard ontlad, kan er een storing in de hefkolommen optreden en dient er een reset uitgevoerd te worden. Zie "**Resetten**".

# Productlabel



1 Raadpleeg de gebruikshandleiding

2 Medisch hulpmiddel

3 Maximaal gewicht van gebruiker

4 Fabricagedatum

5 Artikelnummer

6 Max. belastbaarheid

7 Netspanning

8 Frequentie

9 Maximaal stroomverbruik

⑩ IP-klasse

---

⑪ Elektrische stroom

---

⑫ GS1-128-barcode

---

⑬ Gewicht van product

---

⑭ Batchcode

---

⑮ VK Conformiteitsbeoordeling

---

Deze producten dragen de CE-markering in overeenstemming met de relevante vereisten in:

- Verordening (EU) 2017/745 (van 5 april 2017) betreffende medische hulpmiddelen.
- ⑯ Richtlijn 2006/42/EG van de Raad (van 17 mei 2006) betreffende machines.
- Richtlijn 2011/65/EG van de Raad (van 8 juni 2011) betreffende RoHS.

De conformiteitsverklaring kan worden gevonden op [pressalit.com](http://pressalit.com)

⑰ Dit product bevat geen van de gevaarlijke stoffen die worden vermeld in Europese richtlijn 2011/65/EG betreffende RoHS.

---

⑱ Productnaam (indien aanwezig)

---

⑲ Niet afvoeren met het ongesorteerd huishoudelijk afval. Het product moet afzonderlijk worden ingezameld en worden geretourneerd aan een speciale recyclingdienst.

---

⑳ Toegepast onderdeel van het product type BF bij normaal gebruik noodzakelijkerwijs in contact met het lichaam van de patiënt. Het product voldoet aan de vereisten van IEC 60601-1 betreffende het bieden van bescherming tegen elektrische schokken.

---

㉑ Levenscyclus

---

㉒ Raadpleeg de handleiding voor belangrijke waarschuwingeninformatie, zoals waarschuwingen en voorzorgsmaatregelen.

---

㉓ Raadpleeg de gebruikshandleiding

---

㉔ Naam en adres van fabrikant

---

㉕ Dubbel geïsoleerd elektrisch apparaat

---

## Opslag en transport

- De temperatuur voor transport en opslag van het apparaat moet tussen de 5 en 40 graden Celsius zijn.
- Het apparaat dient altijd in de originele verpakking getransporteerd te worden.
- Stel de verpakking niet bloot aan schokken en stoten.
- Gebruik het product niet als de verpakking kapot of beschadigd is.

## Probleemoplossing

Symptoom	Oorzaak	Actie
Geen stroom.	De accu is leeg.	Laad de accu op. Zie " <b>De accu opladen</b> ".
Geen stroom.	Accu in stand-by-modus.	Plaats de accu gedurende ca. 15 seconden in de lader. Zie " <b>De accu opladen</b> ".
De douchebrancard staat scheef, ook al is de kantelfunctie niet geactiveerd.	De hefkolommen zijn niet synchroon.	Reset de hefkolommen. Zie " <b>Resetten</b> ".
De douchebrancard kan niet omhoog of omlaag worden gebracht.	Als een statisch geladen persoon in de buurt van de bedienings-eenheid van de douchebrancard ontlaaft, kan er een storing in de hefkolommen optreden.	Reset de hefkolommen. Zie " <b>Resetten</b> ".

Neem contact op met Pressalit A/S of uw plaatselijke dealer als het probleem niet kan worden verholpen. Probeer niet zelf het product te repareren, omdat de garantie hierdoor komt te vervallen.

De verwachte levensduur van de douchebrancard is 10 jaar.

# Afvoer en recycling

De eenheid bevat herbruikbare materialen. Er zijn geen bekende gevaren of risico's gekoppeld aan het afvoeren van het product. Alle onderdelen kunnen na reiniging en desinfectie worden afgevoerd.

We raden u aan het product bij afvoer te demonteren en onder te verdelen in afvalgroepen voor recycling of verbranding.

De volgende tabel biedt informatie over het recyclen en hanteren van het product.

<b>Recyclebare onderdelen</b>	<b>Materiaal</b>
Staal	Staal kan worden gerecycled door het te smelten en te gebruiken als secundair materiaal bij de productie van nieuw staal.
Kunststof	Gebruik sorteer- en recyclingsystemen voor kunststof wanneer deze lokaal beschikbaar zijn. Het verbranden van kunststof kan in andere gevallen worden gebruikt voor het opwekken van energie die bijvoorbeeld kan worden gebruikt voor cogeneratie.
Elektronica	De elektronische onderdelen moeten afzonderlijk worden ingezameld en worden geretourneerd aan een speciale recyclingdienst.
Batterijen	De batterij dient in overeenstemming met de plaatselijke voorschriften weggegooid te worden.

# Innehåll

Symboler som används i manualen.....	137
Allmän säkerhetsinformation.....	139
Säkerhetsavstånd.....	140
Avsedd användning.....	142
Användare.....	142
Avsedd för.....	142
Användningsmiljö.....	142
Kontraindikationer för användning.....	143
Biokompatibilitet.....	143
Användningsinstruktioner.....	144
Säkerhetsbromsar.....	144
Flytta britsen.....	145
Sidoskydd.....	146
Höjjustering.....	147
Lutningsfunktion.....	148
Återställning.....	148
Ladda batteriet.....	149
Tillbehör.....	151
Duschmadrass.....	151
Huvudstöd.....	153
Rengöring.....	154
Elektromagnetisk kompatibilitet.....	155
Elektromagnetisk emission.....	155
Elektromagnetisk immunitet.....	156
Produktetikett.....	157
Förvaring och transport.....	159
Åtgärda fel.....	159
Kassering och återvinning.....	160



# Symboler som används i manualen

Följande symboler används i manualen samt i övrig dokumentation som medföljer produkten.



**VARNING** indikerar en potentiellt farlig situation som kan orsaka dödsfall eller allvarlig skada om den inte undviks.



**VAR FÖRSIKTIG** indikerar en potentiellt farlig situation som kan orsaka mindre eller måttlig skada om den inte undviks. Kan också användas för att varna för osäker hantering.



**VIKTIGT** indikerar viktig information om hantering och användning av produkten.



**OBS** används för att informera om hantering som inte är relaterad till personlig säkerhet.



Varning för huvudskada



Varning för handskada



Varning för skada på  
genitalierna



Varning för fotskada

SV



Lämna inte patienten utan tillsyn.



Kompatibla produkter



Reservdelar



Användarens maxvikt



Artikelnummer/versioner



Produktvikt



Elektriska specifikationer

# Allmän säkerhetsinformation

## **VARNING**

- Se till att du har läst och förstått manualen fullständigt innan du använder produkten. Förvara manualen nära produkten.
- Följ anvisningarna i manualen för att undvika olyckor som kan orsaka allvarliga personskador.
- Använd aldrig produkten på något annat sätt än vad som beskrivs i den här manualen eftersom du då riskerar att skada både dig själv och produkten.
- Se till att alla personer som ska installera eller använda produkten och de tillhörande systemen har fått den information som behövs samt att de har tillgång till manualen.

## **VAR FÖRSIKTIG**

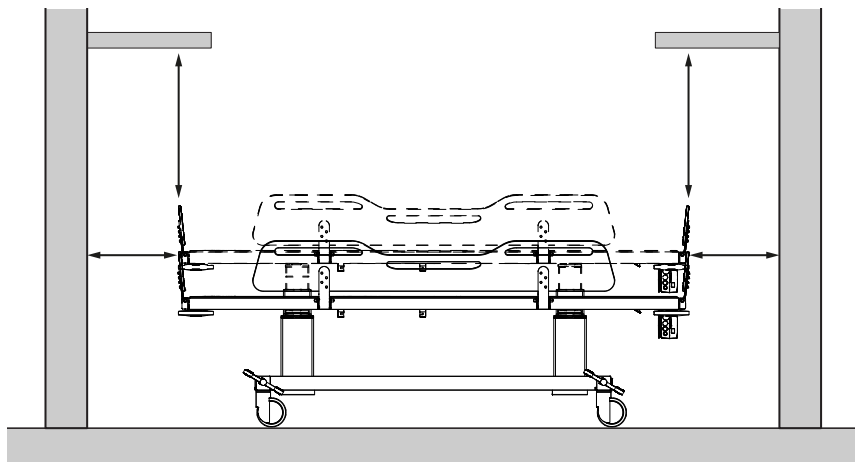
- Följ anvisningarna för att undvika att produkten skadas eller förstörs.
- Försök inte reparera, demontera, montera eller göra tillägg till produkten eller ändra den på något sätt. Sådana åtgärder får endast utföras av Pressalit eller av personer som fått behörighet av Pressalit.
- Låt aldrig barn använda produkten ensamma. Den är inte avsedd för lek.
- Använd aldrig produkten om den är trasig eller skadad. Vänta med att använda en defekt produkt tills den har reparerats.







## **OBS**

- Informationen i den här manualen är baserad på att produkten är korrekt monterad enligt våra anvisningar.
- Pressalit tar inget ansvar för eventuella fel som uppstår om produkten används på något annat sätt än vad som beskrivs i manualen.
- Vi förbehåller oss rätten att göra ändringar i manualen utan att meddela detta i förväg.

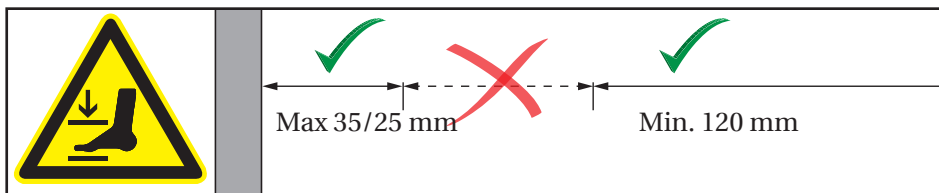
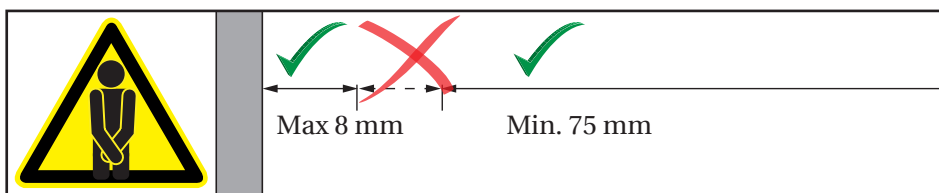
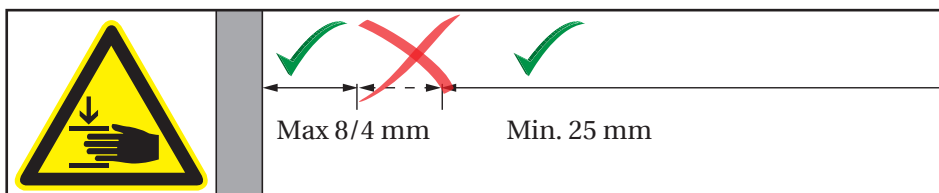
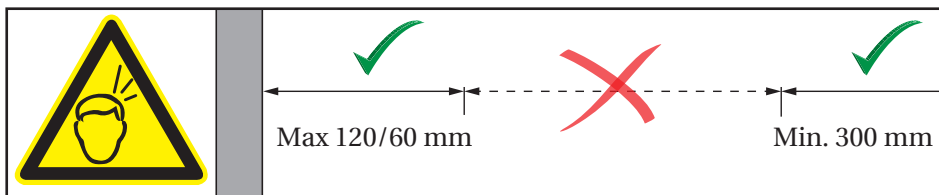
# Säkerhetsavstånd

Se till att enheten är på säkert avstånd från omgivande föremål. Kontrollera avståndet innan användning.



ISO 17966:2016		
	Max 120 mm Min. 300 mm	Max 60 mm Min. 300 mm
	Max 8 mm Min. 25 mm	Max 4 mm Min. 25 mm
	Max 8 mm Min. 75 mm	Max 8 mm Min. 75 mm
	Max 35 mm Min. 120 mm	Max 25 mm Min. 120 mm

SV



 **VARNING**

Om enheten är i rörelse inom säkerhetsavstånden måste du vara särskilt uppmärksam på personer och föremål som finns i närheten för att undvika risken för klämskador.

SV

## Avsedd användning

Den här produkten är avsedd för tvättning av en person som inte kan stå eller sitta själv. Personen ligger horisontellt på duschbritten.

### Användare

Produkten ska användas av personal som är utbildad i hälsovård och att tvätta personer.

### Avsedd för

Produkten kan användas av alla – vuxna, barn, gamla och unga med en **maxvikt på 200 kg**.

### Användningsmiljö

För användning inomhus i våtrumsmiljö, till exempel ett badrum. Produkten är avsedd för användning i rumstemperatur i allmänna omklädningsrum, skolor, privata hem, på vårdhem och sjukhus under normala arbetsförhållanden.



**VAR FÖRSIKTIG**

Ytan på den här produkten kan bli mycket varm eller kall om den utsätts för värme eller kyla från externa källor (t.ex. solsken eller frost).

SV

**OBS**

Eventuella allvarliga incidenter som inträffar i samband med produkten ska rapporteras till tillverkaren och till berörda hälsomyndigheter.

## Kontraindikationer för användning

Det är inte rekommenderat att utföra tvättning av gravida på duschbriksen. Det är inte rekommenderat att utföra tvättning på duschbriksen av patienter med infusions- eller insulinpump, inflammatoriska hudsjukdomar eller patienter med feber.

Patienter med hjärtsvikt, hjärt-kärlsjukdomar, kraniocerebralt trauma, öppna sår, närings- eller dräneringssond (t.ex. kateter, dränage) kan tvättas på duschbriksen, men endast i samråd med ansvarig läkare.

Använd inte produkten om patientens vikt överstiger 200 kg.

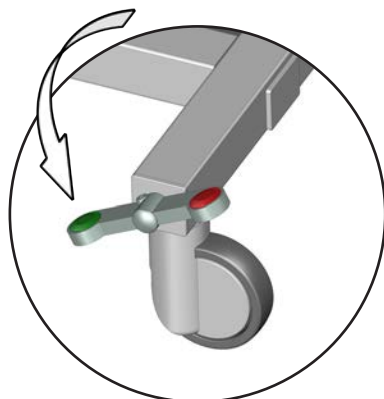
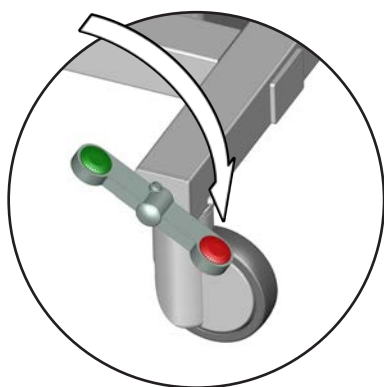
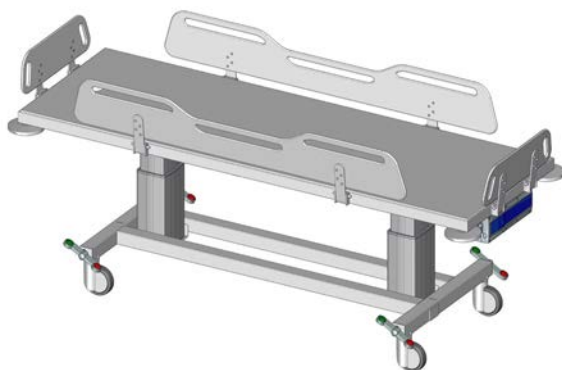
## Biokompatibilitet

De material som kommer i kontakt med patientens hud under omvårdnadsproceduren har testats för innehåll av skadliga ämnen enligt ISO 10993-standarderna om biokompatibilitet och anses därför lämpliga för detta ändamål.

# Användningsinstruktioner

## Säkerhetsbromsar

Duschbritten är utrustad med säkerhetsbromsar på alla fyra länkhjulen för att garantera att ingen oavsiktlig rörelse sker.



SV

**Låsa bromsarna:** Tryck med foten på den röda knappen på en av de fyra pedalerna för att låsa bromsarna på alla fyra hjulen.

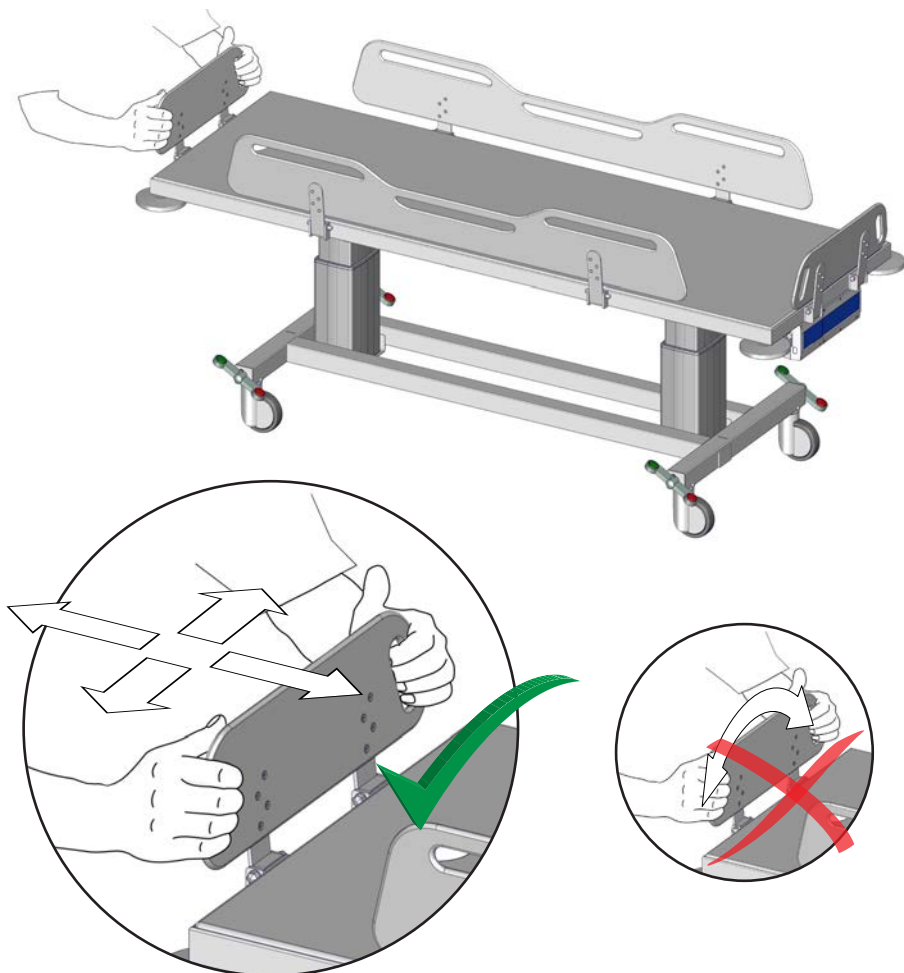
**Låsa upp bromsarna:** Tryck med foten på den gröna knappen på en av de fyra pedalerna för att låsa upp bromsarna på alla fyra hjulen.



Kontrollera alltid att bromsarna är låsta innan en patient överförs till eller från duschbritten.



## Flytta britsen



Använd grepphålen på sidoskydden när du flyttar duschbritsen. Tryck rakt framåt i önskad riktning. Sidoskyddet ska inte vridas eller vändas.

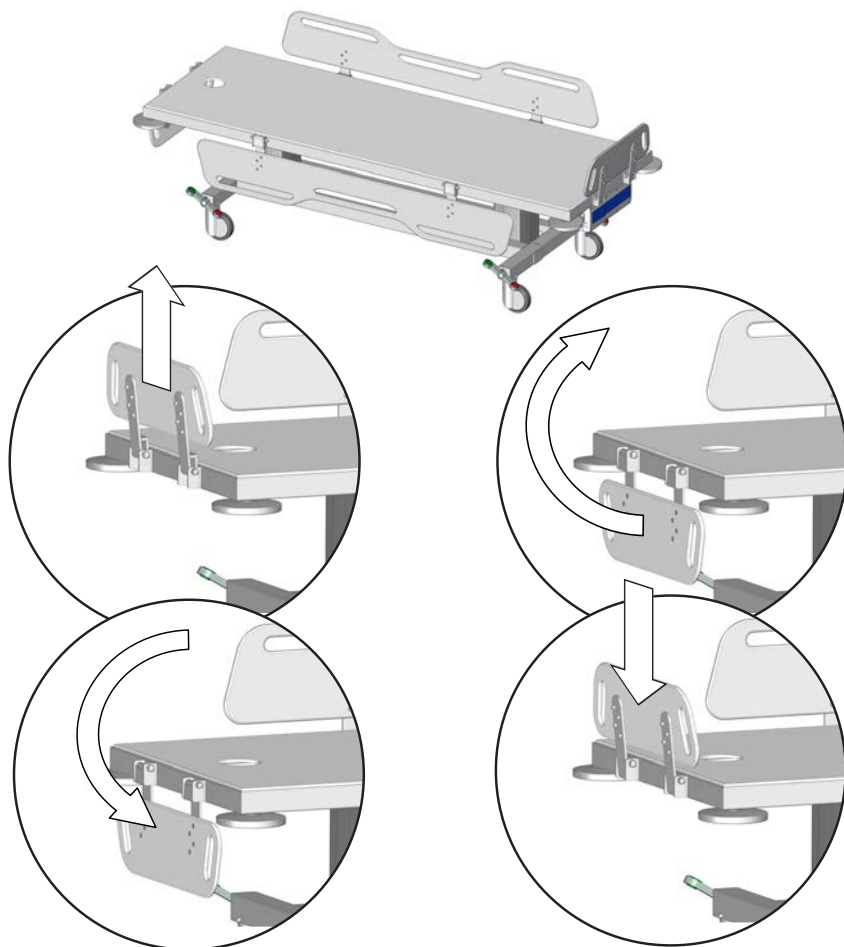
SV



**Lämna inte patienten utan tillsyn.**

## Sidoskydd

Sidoskydden kan fällas upp och ned individuellt för att smidigt kunna flytta patienten. Ändskydden kan fällas upp och ned individuellt för att enkelt komma åt patientens fötter/ben (när strumpor ska sättas på etc.).



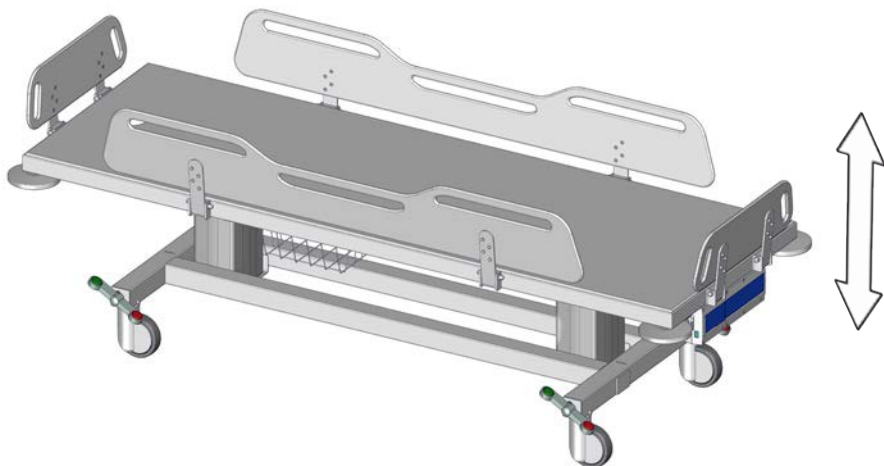
**Fälla ned:** Lyft sideskyddet uppåt för att låsa upp det och fäll det sedan nedåt.

**Fälla upp:** Fäll upp sideskyddet och tryck det nedåt för att låsa det på plats.



När britsen används ska du se till att alla sideskydden är uppfällda och låsta för att skydda patienten från att falla av britsen.

## Höjdjustering



Duschbritsen kan justeras 400 mm uppåt och nedåt.

**Användarens maxvikt: 200 kg**

**Max. belastning: 250 kg**

Höjdjusteringen utförs via en trådbunden manöverdosa.



Tryck på upp-knappen och håll ned den för att höja enheten. Höjningen/sänkningen stoppas när du släpper knappen.



Tryck på ned-knappen och håll ned den för att sänka enheten. Höjningen/sänkningen stoppas när du släpper knappen.



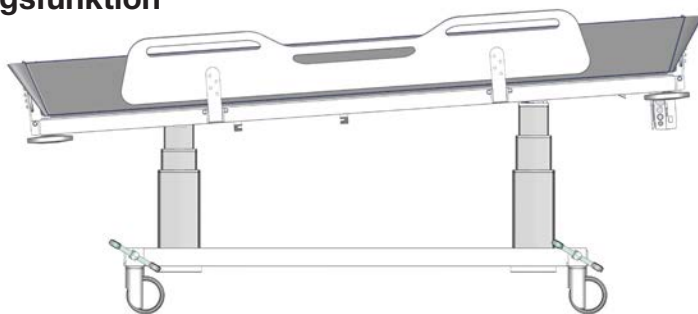
**För att undvika risk för strypling ska den trådbundna manöverdosan alltid vara placerad i hållaren när den inte används.**



**Se till att du inte skadar händerna, fötterna eller huvudet när du är i närheten av rörliga mekaniska delar.**

SV

## Lutningsfunktion



Duschbritten kan lutas cirka 3 grader så att vatten kan rinna av vid användning av den kompletterande duschmadrassen.

Lutningsfunktionen utförs via en trådbunden manöverdosa.



Tryck på Luta uppåt-knappen och håll ned den för att luta enheten. Rörelsen stoppar när enheten är lutad cirka 3 grader eller när du släpper Luta uppåt-knappen.



Tryck på Luta nedåt-knappen och håll ned den för att återställa enheten. Rörelsen stoppar när enheten är i ursprungsläget eller när du släpper Luta nedåt-knappen.

Det går fortfarande att höja och sänka enheten när den är i lutande läge.

## Återställning

Om lyftfunktionen inte fungerar korrekt eller om de två lyftkolumnerna inte är sänkade kan du försöka att återställa lyftsystemet.

SV



Tryck på både upp- och ned-knapparna samtidigt och håll ned dem.



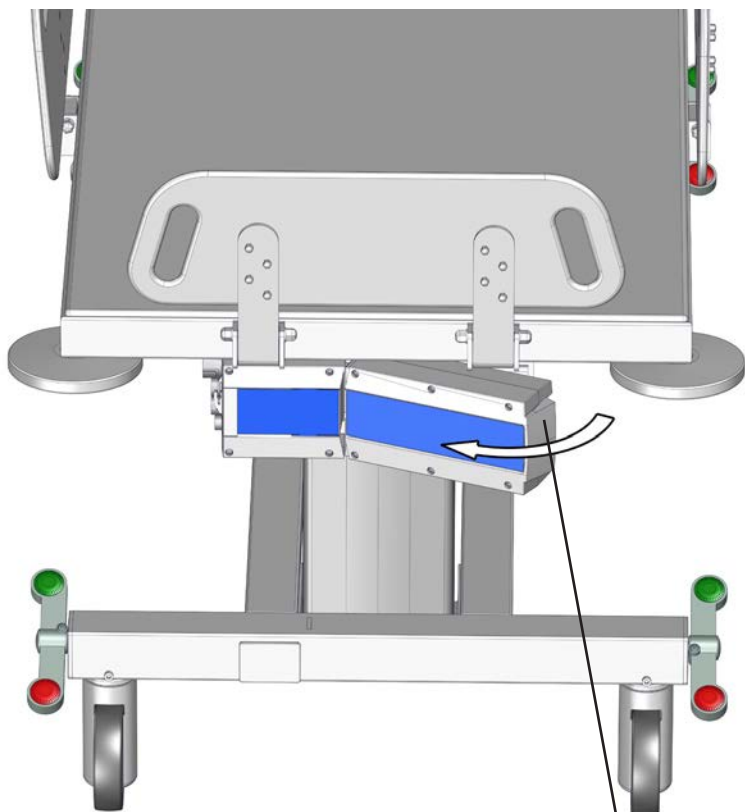
Efter några sekunder flyttas kolumnerna nedåt och ett pip ljud hörs.

Fortsätt hålla ned båda knapparna tills pip ljudet tystnar.

Lyftkolumnerna är nu återställda.

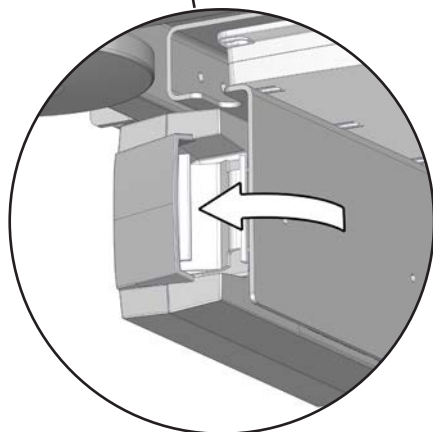
## Ladda batteriet

Batteriet har kapacitet att höjjustera duschbritsen upp till 30 gånger när det är fulladdat.

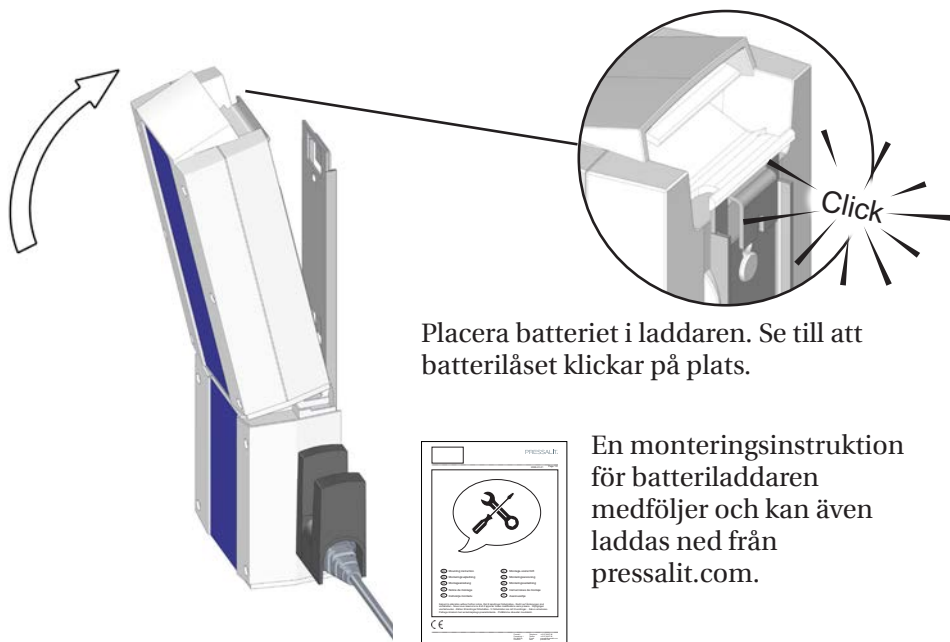


Lossa spärren för att ta ut batteriet för laddning.

Sätt tillbaka batteriet efter laddning innan patienten placeras på duschbritsen.



SV



Placera batteriet i laddaren. Se till att batterilåset klickar på plats.

En monteringsinstruktion för batteriladdaren medföljer och kan även laddas ned från [pressalit.com](http://pressalit.com).



## VAR FÖRSIKTIG

När batterinivån är låg hörs ett pip ljud när du använder manöverdosan. Det finns då fortfarande tillräckligt mycket laddning så att det går att höja eller sänka enheten, men det är ytterst viktigt att du omgående antingen laddar batteriet eller byter ut det. Om du inte gör det kommer lyftfunktionen att sluta fungera.

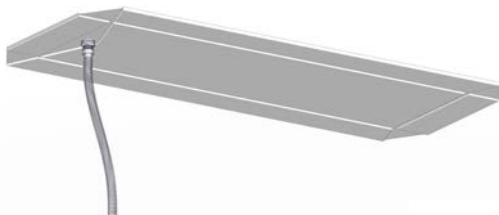
## VIKTIGT

Om batteriet inte har använts på mer än en vecka sätts det i standby-läge för att spara ström och skydda batteriet. Placera batteriet i laddaren i cirka 15 sekunder för att gå ur standby-läget innan användning. Observera att det inte finns någon ljudsignal som anger att batteriet är i standby-läge eller går ur standby-läget. Om det fortfarande inte finns någon ström efter att batteriet gått ur standby-läget behöver det laddas. Batteriet måste laddas var 6:e månad.

# Tillbehör

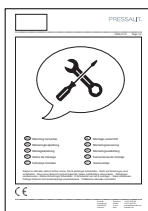
## Duschmadrass

Duschbritsen kan användas som ett badkar med den kompletterande duschmadrassen (R844721 och R844717).



Anslut tömningsslangen till madrassens utloppshål enligt den medföljande monteringsinstruktionen.

Dra tömningsslangen genom duschbritsens utloppshål, vik madrassen och placera den på duschbritsen. Kontrollera att alla fyra sidoskydden på duschbritsen är uppfällda och låsta.

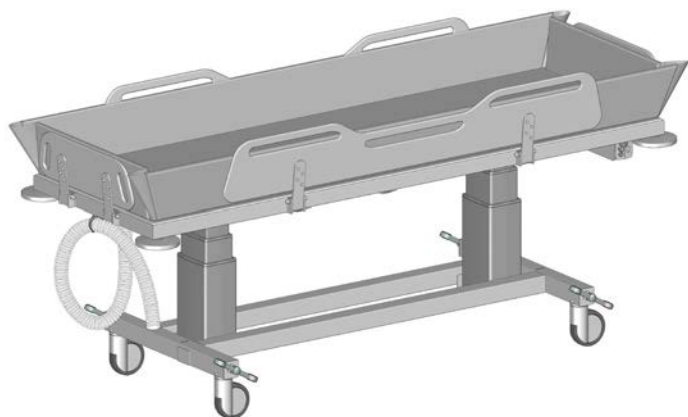


En instruktion för tömningsslangen medföljer duschmadrassen och kan även laddas ned från [pressalit.com](http://pressalit.com).

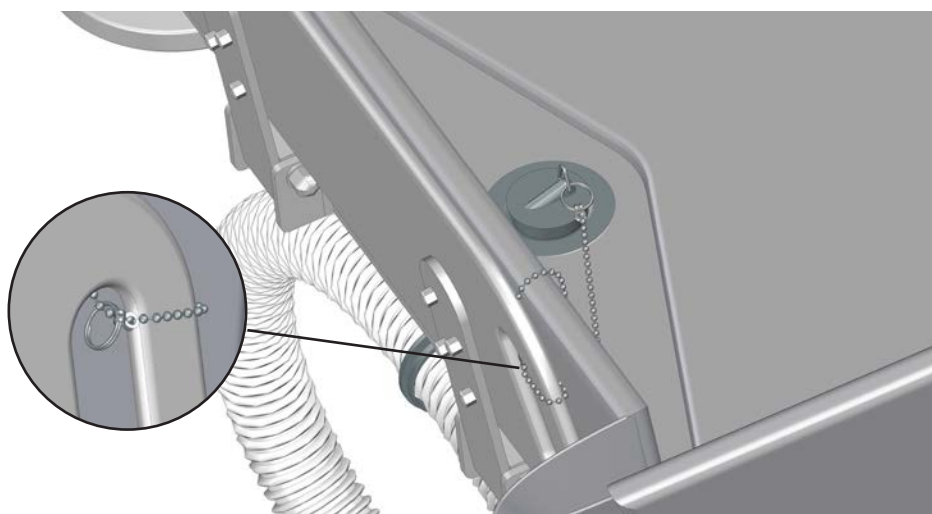
SV

## VIKTIGT

- Kontrollera regelbundet om det finns skador på madrassen. Detta förhindrar att madrassen kontamineras.
- Använd handskar när du hanterar tömningsslangen till madrassen. Det kan finnas rester av avfall med mänskligt ursprung på den.



Rulla upp slangen och fäst den i slanghållaren.



SV

Fäst en av ringarna på kedjan i pluggen. Gör en ögla kring ett av sidoskyddshandtagen med den andra ringen.

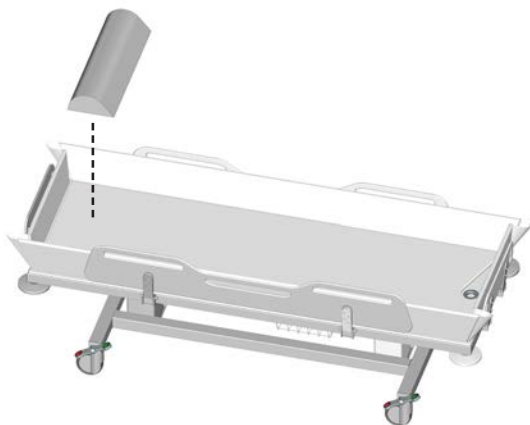
**VIKTIGT**

Flytta inte duschbritsen när det är vatten i duschmadrassen.

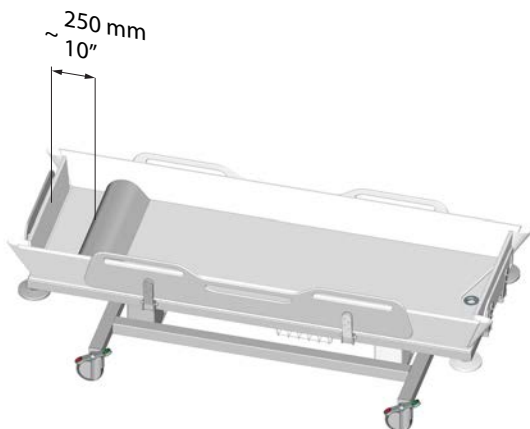


## Huvudstöd

Duschmadrassen kan användas med ett huvudstöd (R844521, tillval) för optimal komfort.



Placera huvudstödet vid huvudänden av duschbritsen ungefär 250 mm från gaveln.



Madrasen och huvudstödet ska rengöras med varmt vatten eller ett mildt tvålbaserat rengöringsmedel. På [pressalit.com](http://pressalit.com) finns en lista över lämpliga rengöringsmedel/desinficeringsmedel som har testats av Pressalit.

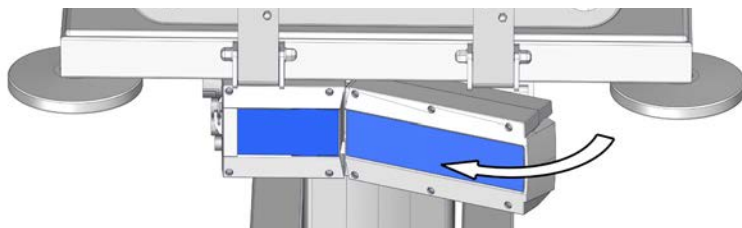
SV

### VIKTIGT

Kontrollera regelbundet om det finns skador på huvudstödet. Detta förhindrar att huvudstödet kontamineras.

# Rengöring

Ta bort batteriet innan rengöring av duschbritten.



Produkten ska rengöras med varmt vatten eller ett mild tvålbaserat rengöringsmedel. På [pressalit.com](http://pressalit.com) finns en lista över lämpliga rengöringsmedel som har testats av Pressalit.



**VAR FÖRSIKTIG**

Läs alltid materialsäkerhetsdatabladet (MSDS) och de medföljande anvisningarna till det aktuella rengörings-, desinficerings- eller avkalkningsmedlet avseende säker användning, spädning, sköljning, torkning, hantering och förvaring.

**VIKTIGT**

- Använd inte en autoklav eller någon annan typ av ångtvätt för rengöring.
- Undvik aggressiva rengöringsmedel som innehåller syror.
- Spruta aldrig med högtryckstvätt direkt på produkten.
- För rengöring av ytan kan klorbaserade desinficeringsmedel användas enligt produktspecifikationen och säkerhetsföreskrifterna för de här produkterna.



**VAR FÖRSIKTIG**

Utför ingen typ av rengöring eller desinficering av duschbritten om en patient ligger på den.

# Elektromagnetisk kompatibilitet



- Användning av andra tillbehör, omvandlare och kablar än de som är specificerade eller som tillhandahålls av tillverkaren kan orsaka ökad elektromagnetisk emission eller försämrade elektromagnetisk immunitet för den här utrustningen vilket kan resultera i felaktig funktion.
- Bärbar utrustning för RF-kommunikation (inklusive tillbehör som antennkablar och externa antenner) ska inte användas närmare än 30 cm från någon del av produkten (inklusive dess kablar) för att undvika att produktens prestanda försämras.
- Använd inte den här produkten bredvid eller ovanpå annan utrustning eftersom det kan resultera i felaktig drift. Om produkten ändå behöver användas på ett sådant sätt ska både den och den andra utrustningen kontrolleras för att verifiera att de fungerar normalt.

## Elektromagnetisk emission

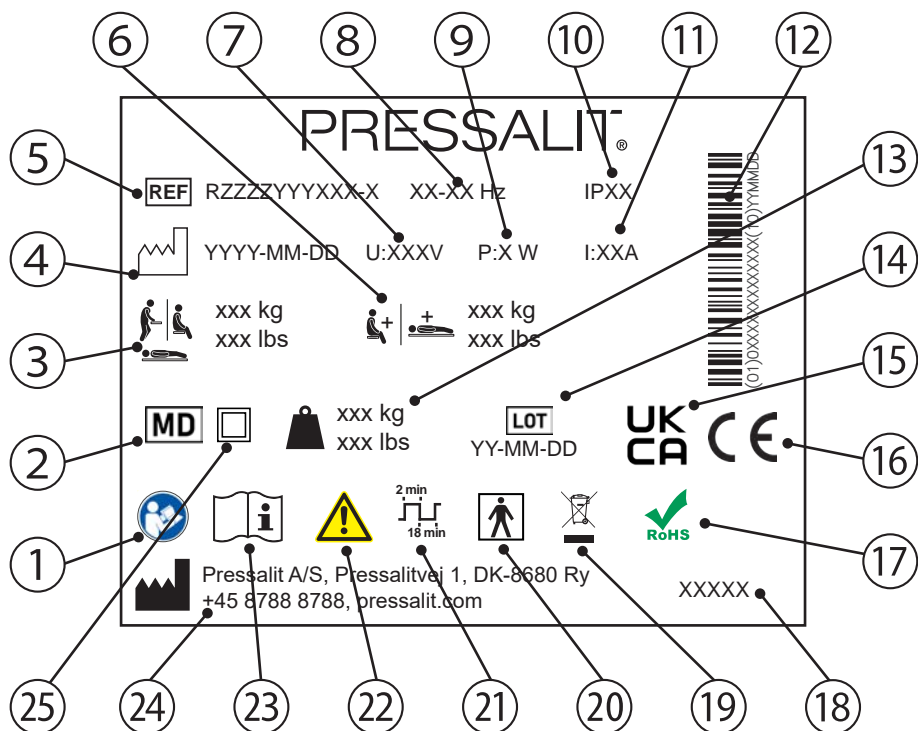
Teststandard	Testnivå/information	Testresultat
60601-1-2 kap. 7.1.7 – CISPR 14	30 MHz–1 GHz	Godkänt

## Elektromagnetisk immunitet

Teststandard	Nivå för överensstämmelse	Testnivå/ information	Testresultat
EN60601-1-2 och EN17966 (hemlik vårdmiljö)	=> 10 V/m 2,7 GHz	15 V/m Frekvensområde: 80 MHz–6 GHz steg om 1 %	Godkänt
EN60601-1-2 (närliggande RF-fält från utrustning för trådlös kommunikation)	=> 10 V/m 2,7 GHz	15 V/m Frekvensområde: 385–5785 MHz	Godkänt
IEC 61000-4-4 (snabba elektriska transienter/pulsskurar)		Simulering av snabba pulsar	Godkänt
Ledningsbundna störningar inducerade av RF	Pulser, 6 V	Pulser, 10 V	Godkänt
Elektrostatisk urladdning		Urladdning på enheten från person laddad med statisk elektricitet, 8 kV och 15kV	Godkänt (*)

SV \* Om en person är laddad med statisk elektricitet och urladdning sker på eller i närheten av duschbritsens manöverdosa kan det uppstå ett fel i lyftkolumnerna som gör att en återställning måste utföras. Se "**Återställning**".

# Produktetikett



1 Läs manualen för att få anvisningar om användning.

2 Medicinsk utrustning

3 Användarens maxvikt

4 Tillverkningsdatum

5 Artikelnummer

6 Max. belastning

7 Nätspänning

8 Frekvens

9 Maximal energiförbrukning

⑩ IP-klass

---

⑪ Elektrisk ström

---

⑫ Streckkod GS1-128

---

⑬ Produktvikt

---

⑭ Batchkod

---

⑮ UKCA-märkt

---

De här produkterna är CE-märkta i enlighet med relevanta krav i:

- Förordning (EU) 2017/745 (av den 5 april 2017) om medicintekniska produkter.

⑯ • Maskindirektivet 2006/42/EG (av den 17 maj 2006).

- RoHS-direktivet 2011/65/EG (av den 8 juni 2011).

En försäkran om överensstämmelse finns på [pressalit.com](http://pressalit.com).

---

⑰ Produkten innehåller inga av de farliga ämnen som är angivna i RoHS-direktivet 2011/65/EG.

---

⑱ Produktnamn (om tillämpligt)

---

⑲ Produkten får inte kasseras som vanligt hushållsavfall. Avfallssortera de olika delarna och lämna in dem för återvinning på därför avsedd plats.

---

⑳ Typ BF-del. En del av produkten kommer att komma i fysisk kontakt med patienten vid normal användning. Produkten uppfyller kraven i IEC 60601-1 och är därmed skyddad mot elektriska stötar.

---

㉑ Arbetscykel

---

㉒ Läs manualen för att få veta innebörden i viktig säkerhetsinformation som varningar och försiktighetsåtgärder.

---

㉓ Läs manualen för att få anvisningar om användning.

---

㉔ Tillverkarens namn och adress.

---

㉕ Dubbelisolerad elektrisk apparat.

---

## Förvaring och transport

- Temperaturen vid transport och förvaring måste ligga mellan 5 och 40 grader Celsius.
- Enheten måste alltid transporteras i sin originalförpackning.
- Se till att förpackningen inte utsätts för stötar.
- Använd inte produkten om förpackningen är trasig eller skadad.

## Åtgärda fel

Symptom	Orsak	Åtgärd
Ingen ström.	Batteriet är urladdat.	Ladda batteriet. Se " <b>Ladda batteriet</b> ".
Ingen ström.	Batteriet är i standby-läge.	Sätt batteriet i laddaren i cirka 15 sekunder. Se " <b>Ladda batteriet</b> ".
Duschbritten är sned trots att lutningsfunktionen inte är aktiverad.	Lyftkolumnerna är inte synkade.	Återställ lyftkolumnerna. Se " <b>Återställning</b> ".
Duschbritten kan inte höjas eller sänkas.	Om en person är laddad med statisk elektricitet och urladdning sker i närheten av duschbritesens manöverdosa kan det uppstå ett fel i lyftkolumnerna.	Återställ lyftkolumnerna. Se " <b>Återställning</b> ".

Kontakta Pressalit A/S eller din återförsäljare om du inte kan åtgärda problemet. Försök inte reparera produkten själv eftersom det gör att garantin upphör att gälla.

SV

Den förväntade användningstiden för duschbritten är 10 år.

## Kassering och återvinning

Produkten innehåller material som går att återvinna. Det finns inga kända risker förknippade med kassering av produkten. Alla komponenter kan kasseras efter att de har rengjorts och desinficerats.

Vid kassering av produkten rekommenderar vi att den demonteras och att de olika delarna avfallssorteras för återvinning eller förbränning.

I följande tabell finns information om återvinning och hantering av produkten.

<b>Komponenter som kan återvinnas</b>	<b>Material</b>
Stål	Stål kan återvinnas genom att smältas ned och inkluderas som ett sekundärt material vid tillverkning av nytt stål.
Plast	Sortera som plastavfall.
Elektronik	De elektroniska komponenterna ska samlas in och sorteras som elektriskt avfall.
Batterier	Batteriet måste kasseras i enlighet med de lokala reglerna.



# Innholdsfortegnelse

Symboler brukt i denne brukerhåndboken .....	162
Generell sikkerhet .....	164
Sikkerhetsavstander .....	165
Tiltenkt bruk .....	167
Krav til operatører.....	167
Krav til brukere .....	167
Krav til omgivelsene ved bruk .....	167
Kontraindikasjoner for bruk.....	168
Biokompatibilitet.....	168
Bruksanvisning .....	169
Sikkerhetsbremseser .....	169
Flytte .....	170
Sidegrinder.....	171
Høydejustering .....	172
Vippefunksjon.....	173
Tilbakestilling .....	173
Lade batteriet.....	174
Tilbehør .....	176
Dusjmadrass .....	176
Nakkestøtte .....	178
Rengjøring.....	179
Elektromagnetisk kompatibilitet .....	180
Elektromagnetiske utslipp .....	180
Elektromagnetisk immunitet.....	181
Produktetikett.....	182
Oppbevaring og transport .....	184
Feilsøking.....	184
Kassering og gjenvinning .....	185

# Symboler brukt i denne brukerhåndboken

De følgende symbolene brukes i denne brukerhåndboken og i den tilhørende dokumentasjonen som følger med produktet.



**ADVARSEL** indikerer en potensiell farlig situasjon som, hvis den ikke unngås, kan føre til død eller alvorlig personskade.



**FORSIKTIG** angir en potensielt farlig situasjon som, hvis den ikke unngås, kan føre til mindre eller moderate personskader. Det kan også brukes for å advare mot feilaktig bruk.



**VIKTIG** angir viktig informasjon om korrekt håndtering og bruk av produktet.



**MERKNAD** indikerer forhold som ikke er relatert til personlig sikkerhet.



Advarsel om hodeskader



Advarsel om håndskader



Advarsel om skader på  
kjønnsorgan



Advarsel om fotskader



Ikke forlat pasienten uten tilsyn.



Kompatible produkter



Reservedeler



Maksimal brukervekt



Artikkelnummer/-versjoner



Produktvekt



Elektriske data

## Generell sikkerhet

### **ADVARSEL**

- Les og forstå brukerhåndboken fullstendig før bruk. Oppbevar brukerhåndboken nær enheten.
- Følg instruksjonene i denne brukerhåndboken for å unngå ulykker som kan føre til alvorlig personskade.
- Dette produktet skal aldri brukes eller håndteres på andre måter enn som beskrevet i denne brukerhåndboken. Dette kan redusere sikkerheten for deg og føre til skade på produktet.
- Sørg for at alle som skal montere eller bruke produktet og systemene, har all nødvendig informasjon og tilgang til denne brukerhåndboken.

### **FORSIKTIG**

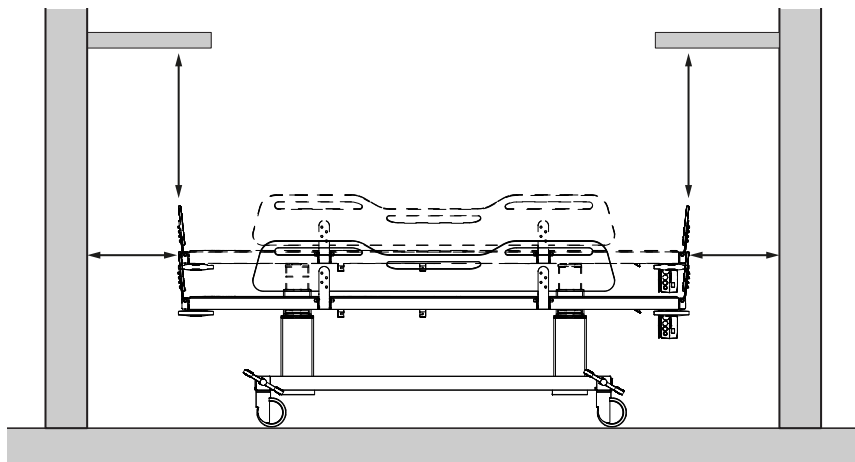
- Følg disse instruksjonene for å unngå at produktet skades eller ødelegges.
- Ikke utfør reparasjoner, demonterings- eller monteringsoperasjoner, utvidelser, justeringer eller modifikasjoner på dette produktet. Dette skal kun utføres av Pressalit eller personer som er autorisert av Pressalit.
- La aldri barn bruke dette produktet uten tilsyn. Produktet er ikke et leketøy.
- Bruk aldri produktet hvis det er defekt eller skadet. Bruk ikke et defekt produkt før det er blitt reparert.







### **MERKNAD**

- Informasjonen i denne brukerhåndboken forutsetter at produktet er riktig montert i samsvar med våre monteringsinstruksjoner.
- Pressalit kan ikke holdes ansvarlig hvis produktet brukes på annen måte enn som beskrevet i veiledningen.
- Vi forbeholder oss retten til å foreta endringer i denne brukerhåndboken uten varsel.

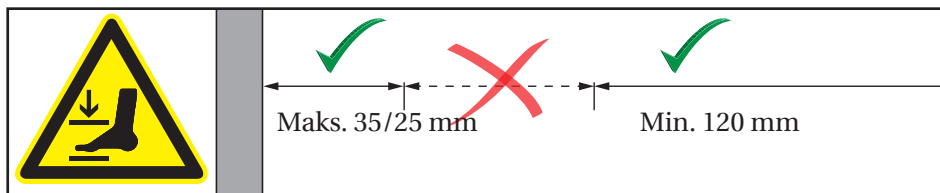
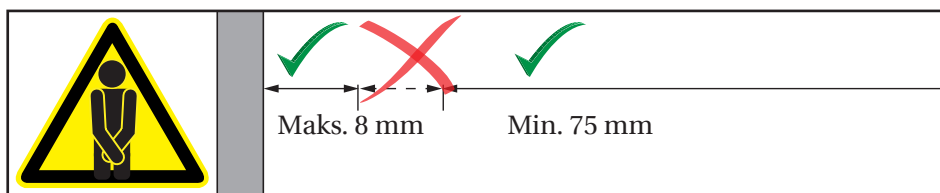
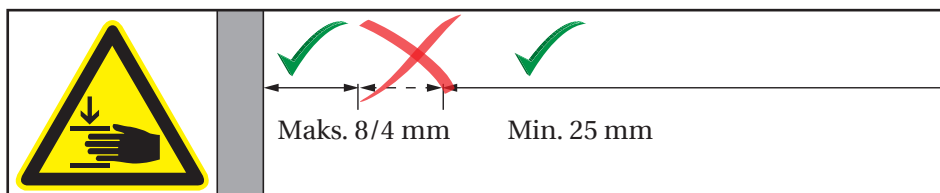
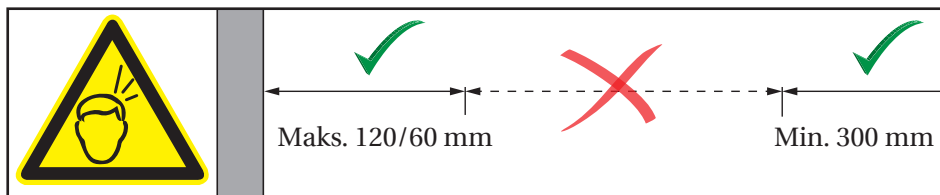
# Sikkerhetsavstander

Sørg for at enheten er i sikker avstand fra gjenstander i nærheten. Kontroller avstandene før bruk.



ISO 17966:2016		
	Maks. 120 mm Min. 300 mm	Maks. 60 mm Min. 300 mm
	Maks. 8 mm Min. 25 mm	Maks. 4 mm Min. 25 mm
	Maks. 8 mm Min. 75 mm	Maks. 8 mm Min. 75 mm
	Maks. 35 mm Min. 120 mm	Maks. 25 mm Min. 120 mm

no



 **ADVARSEL**

Hvis enheten beveger seg innenfor sikkerhetsavstandene, må du holde et spesielt godt øye med personer og gjenstander i nærheten for å unngå klemfare.

## Tiltenkt bruk

Dette produktet skal brukes til å dusje/bade en person som ikke kan stå eller sitte. Personen skal ligge horisontalt på det mobile dusjstellet.

### Krav til operatører

Produktet skal brukes av kvalifisert pleiepersonell som er opplært i vask av pasienter.

### Krav til brukere

Produktet kan brukes av alle – voksne, barn, unge, eldre – som veier **maksimalt 200 kg**.

### Krav til omgivelsene ved bruk

For bruk innendørs i våtrom, som bad eller vaskerom. Produktet skal brukes ved romtemperatur i offentlige skiftsteder, skoler, private hjem, på pleiehjem og sykehus under normale driftsforhold.



Produktets overflate kan bli varm og/eller kald hvis den utsettes for eksterne kilder for varme eller kulde (f.eks. sollys eller frost).

## MERKNAD

Enhver alvorlig hendelse som har skjedd i forbindelse med produktet, skal rapporteres til produsenten og helsemyndighetene.

## **Kontraindikasjoner for bruk**

Det anbefales ikke at gravide blir badet på det mobile dusjstillebordet. Det anbefales ikke at pasienter med infusjons- eller insulinpumpe, inflammatoriske hudsykdommer eller pasienter med feber blir badet på det mobile dusjstillebordet.

Pasienter med hjertesvikt, hjerte- og karsykdommer, kranial/cerebral skade, åpne sår, ernæringssonder eller dren (f.eks. kateter, drenslanger) kan bare bades på det mobile dusjstillebordet etter å ha konsultert den behandlende legen.

Ikke bruk hvis pasienten veier mer enn 200 kg.

## **Biokompatibilitet**

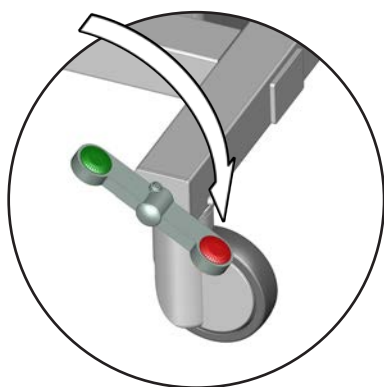
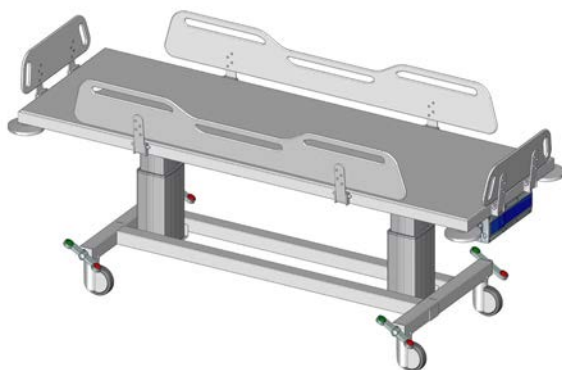
Materialene som er i kontakt med huden til pasienten eller brukeren under stalleprosedyren, er testet for innhold av skadelige stoffer i henhold til ISO 10993 Biokompatibilitet, og anses derfor som egnet for dette formålet.



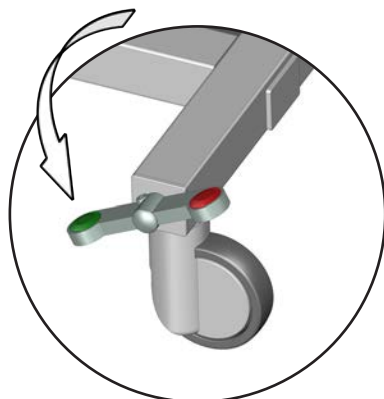
# Bruksanvisning

## Sikkerhetsbrems

Det mobile dusjstellebordet er utstyrt med sikkerhetsbrems på alle fire hjulene for å sikre at den ikke kan bevege seg utilsiktet.



**Slik låser du bremsene:** Tråkk på den røde knappen på én av de fire vippepedalene for å låse bremsene på alle fire hjulene.

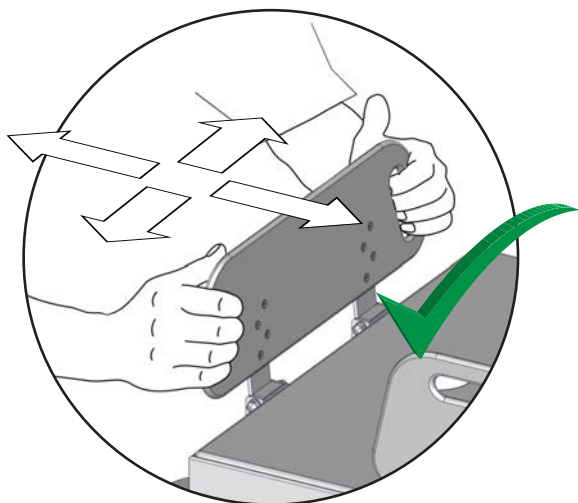
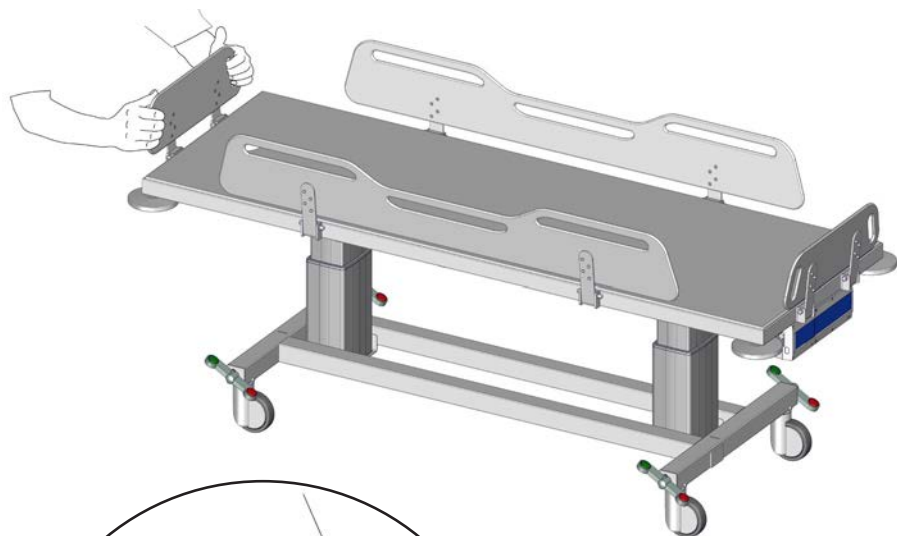


**Slik låser du opp bremsene:** Tråkk på den grønne knappen på en av de fire vippepedalene for å låse opp bremsene på alle fire hjulene.



Forsikre deg alltid om at bremsene er låst når du overfører en pasient til og fra det mobile dusjstellebordet.

## Flytte



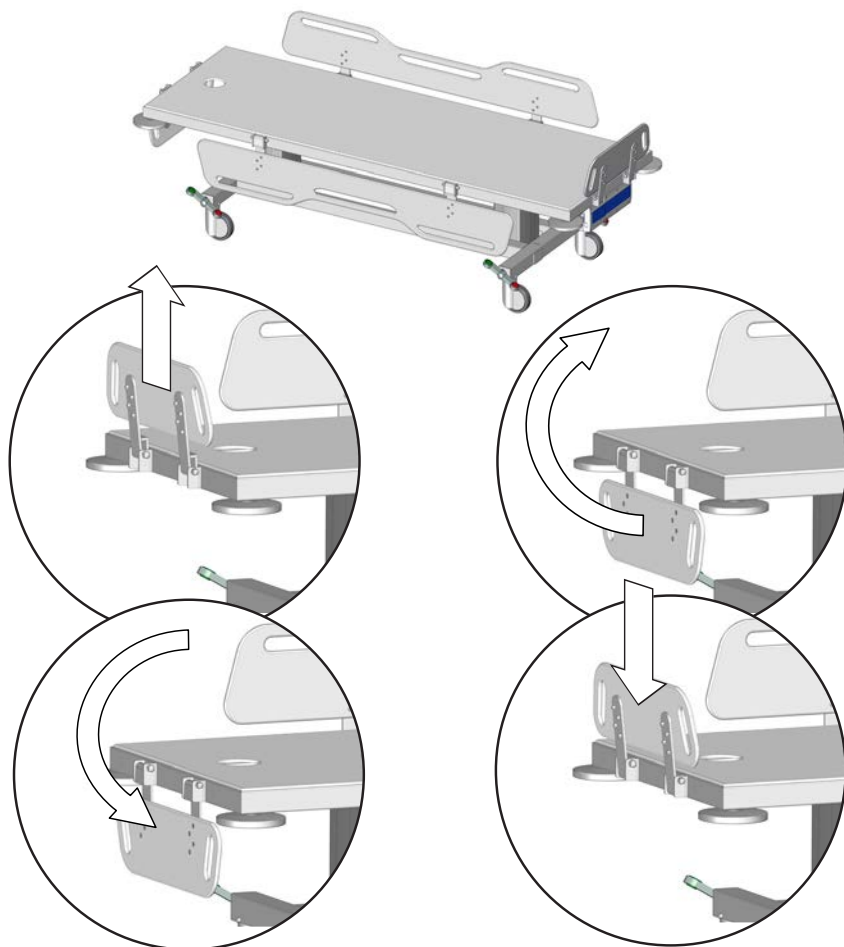
no  
Bruk de utskjærte håndtakene på sidestøttene når du flytter det mobile dusjstøllebordet. Skyv rett frem i ønsket retning. Ikke vri eller snu på sidestøtten.



**Ikke forlat pasienten uten tilsyn.**

## Sidegrinder

Sidegrindene kan foldes opp og ned hver for seg for enkel overføring av pasienten. Endegrindene kan felles opp og ned hver for seg for enkel tilgang til pasientens føtter/ben (ta på strømper osv.).



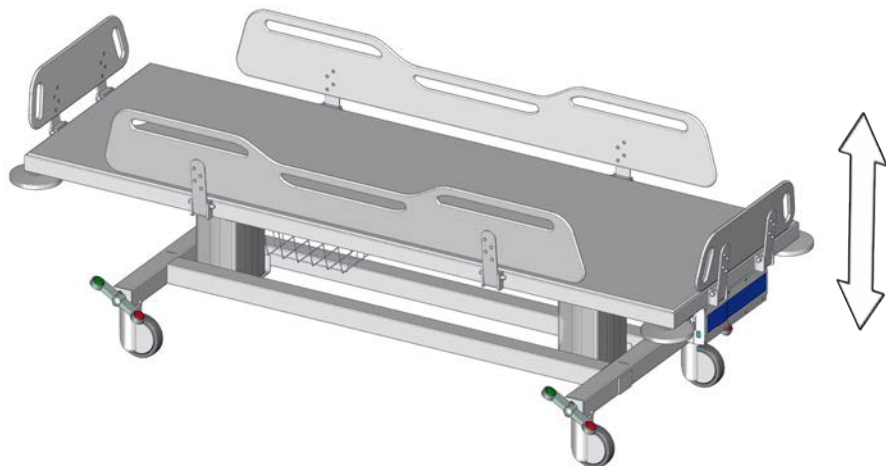
**Felle ned:** Løft sidegrinden oppover for å låse den opp, og sving den ned.

**Felle opp:** Sving sidegrinden opp og skyv den ned for å låse den på plass.



Når stellebordet trilles, må du sørge for at alle sidegrinder er oppreist og i låst posisjon for å hindre at pasienten faller av stellebordet.

## Høydejustering



Det mobile dusjstillebordet kan justeres 400 mm opp og ned.

**Maksimal brukervekt: 200 kg**

**Maks. last: 250 kg**

Høydejusteringen kontrolleres med den kablede fjernkontrollenheten.



Trykk på og hold inne opp-knappen for å heve stallebordet. Bevegelsen stopper når du slipper knappen.



Trykk på og hold inne ned-knappen for å senke stallebordet. Bevegelsen stopper når du slipper knappen.

no

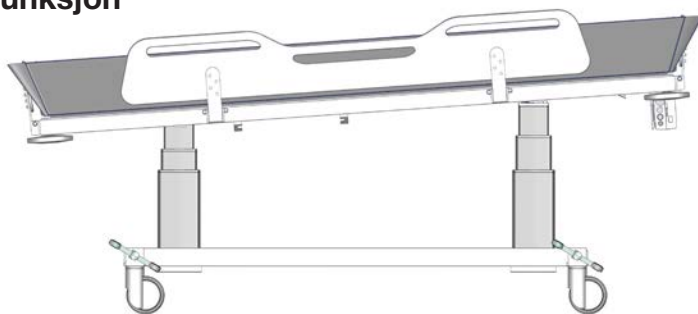


**For å unngå fare for kvelning må du sørge for at den kablede fjernkontrollen er plassert i holderen når den ikke er i bruk.**



**Vær forsiktig for å unngå hånd, -fot- og hodeskade når du er i nærheten av mekaniske deler i bevegelse.**

## Vippefunksjon



Det mobile dusjstellebordet kan vippes omtrent 3 grader for å la vannet renne av når du bruker den valgfrie dusjmadrasen.

Vippefunksjonen styres av den kablede fjernkontrollenheten.



Trykk på og hold inne vipp opp-knappen for å vippe stellebordet. Bevegelsen stopper når stellebordet er vippet ca. 3 grader, eller når vipp opp-knappen slippes.



Trykk på og hold inne vipp ned-knappen for å gjøre stellebordet flatt igjen. Bevegelsen stopper når stellebordet er flatt, eller når vipp ned-knappen slippes.

Det er fortsatt mulig å heve og senke stellebordet når det er i skråstilling.

## Tilbakestilling

Hvis løftefunksjonen ikke fungerer som den skal, eller hvis de to løftesøylene ikke er synkroniserte, kan du prøve å tilbakestille løftesystemet.



Trykk på og hold inne opp- og ned-knappen samtidig.

Søylene vil bevege seg ned etter noen sekunder mens det høres en pipetone.

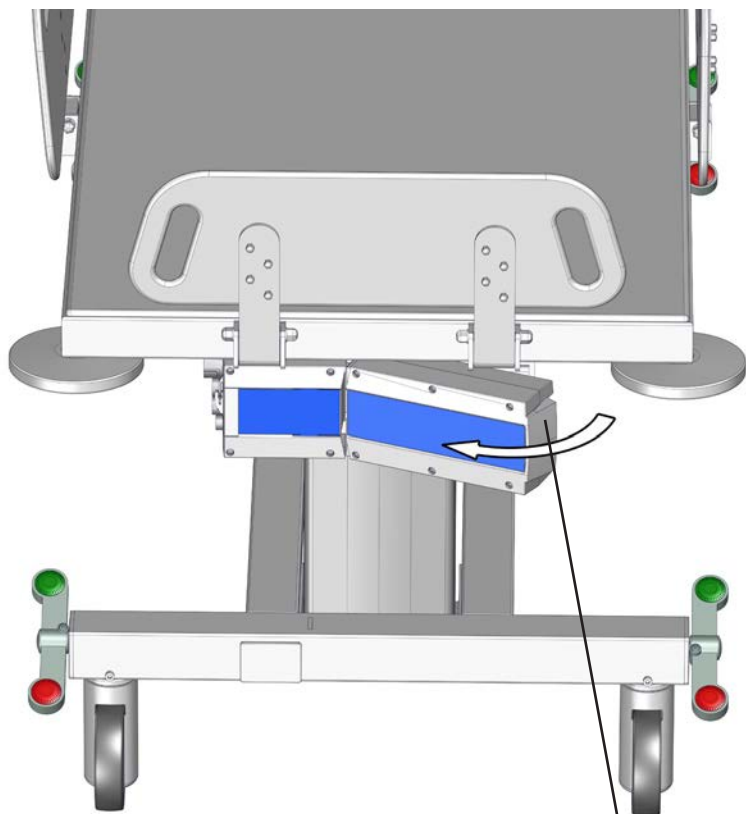


Fortsett å holde inne begge knappene til pipetonen forsvinner.

Løftesøylene er nå tilbakestilt.

## Lade batteriet

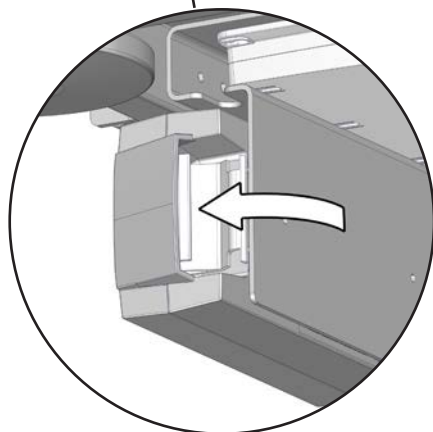
Batteriet kan justere det mobile dusjstillebordet i høyden opptil 30 ganger når det er fulladet.

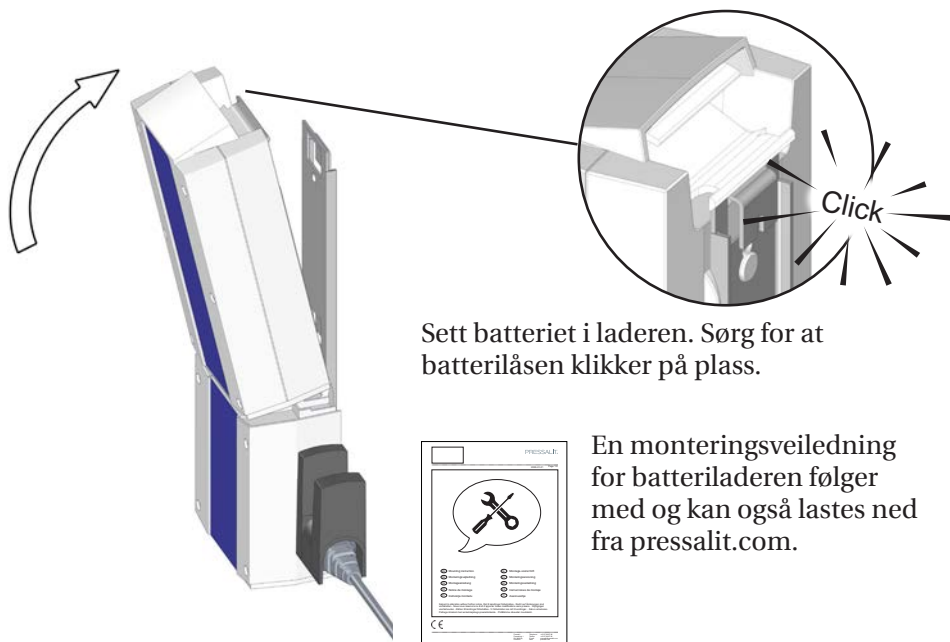


Løsne låsen for å fjerne batteriet for lading.

no

Sett batteriet på igjen etter lading før du plasserer pasienten på det mobile dusjstillebordet.





Sett batteriet i laderen. Sørg for at batterilåsen klikker på plass.

En monteringsveiledning for batteriladeren følger med og kan også lastes ned fra [pressalit.com](http://pressalit.com).

## **FORSIKTIG**

Når batteriet er nesten tomt, høres en pipetone når du bruker fjernkontrollen. Selv om det fremdeles er nok strøm til å heve eller senke enheten, er det svært viktig at du lader eller skifter batteriet umiddelbart. Hvis du ikke gjør det, kan det snart føre til at løftefunksjonen slutter å fungere.

## **VIKTIG**

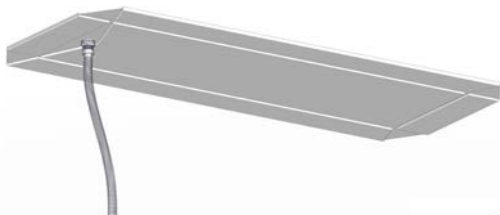
Hvis batteriet ikke har blitt brukt på mer enn en uke, går det i standby-modus for å spare strøm og for å beskytte batteriet. Sett batteriet i laderen i ca. 15 sekunder for å avslutte standby-modus før bruk. Vær oppmerksom på at det ikke er noe lydsignal som indikerer standby-modus eller som indikerer avslutning av standby-modus. Hvis det fortsatt ikke er strøm etter at standby-modus er avsluttet, må batteriet lades. Batteriet må lades hver sjettemåned.

no

# Tilbehør

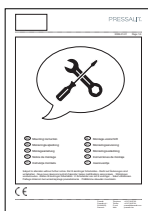
## Dusjmadrass

Det mobile dusjstellebordet kan brukes som badekar med den valgfrie dusjmadrassen (R844721 og R844717).



Fest avløpsslangen til madrassavløpet i henhold til den medfølgende

monteringsveiledningen. Trekk avløpsslangen gjennom avløpshullet på det mobile dusjstellebordet, brett madrassen og legg den på stellebordet. Forsikre deg om at alle de fire sidegrindene på det mobile dusjstellebordet er felt opp og låst.



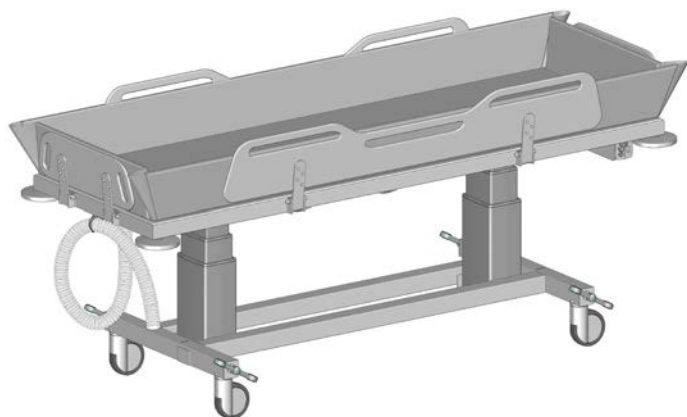
En veiledning for å feste avløpsslangen følger med dusjmadrassen og kan også lastes ned fra [pressalit.com](http://pressalit.com).

no

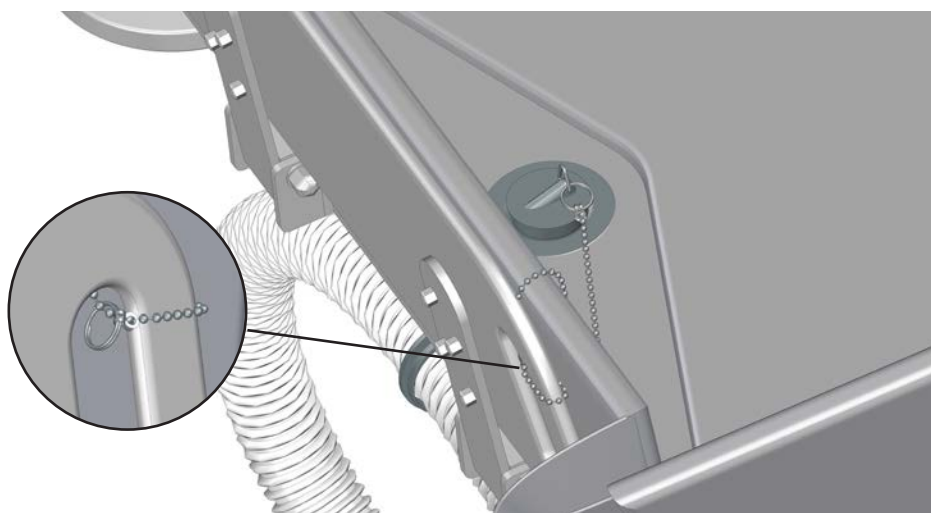
## VIKTIG

- Sjekk regelmessig for skader på madrassen. Dette vil forhindre infeksjon i madrassen.
- Bruk hansker når du håndterer avfallsslangen til madrassen. Den kan ha vært i kontakt med biologisk avfall.





Rull opp slangen og fest den til slangehengeren.



Fest én av nøkkelringene på kjedet til pluggen. Lag en løkke rundt ett av fotbretthåndtakene med den andre ringen.

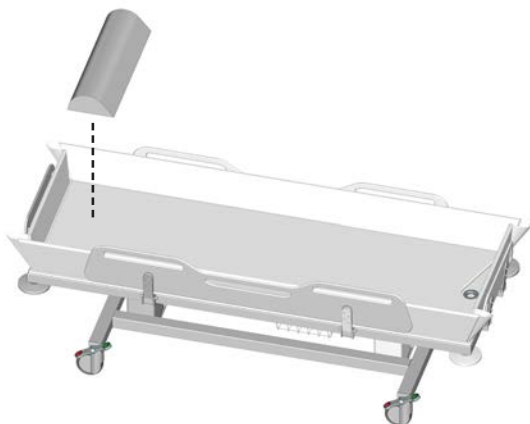
no

## VIKTIG

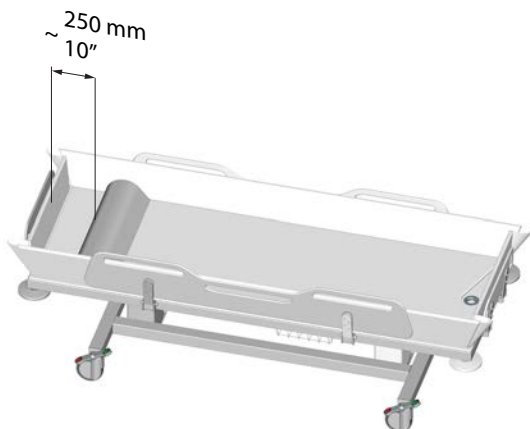
Ikke flytt stellebordet når det er vann i dusjmadrassen.

## Nakkestøtte

Dusjmadrassen kan brukes sammen med den valgfrie nakkestøtten for optimal komfort (R844521).



Plasser nakkestøtten i hodeenden av dusjstallebordet, ca. 250 mm fra hodegjerdet.



Madrassen og nakkestøtten skal rengjøres med varmt vann eller et mildt rengjøringsmiddel. Du finner en liste over passende rengjørings-/desinfeksjonsmidler testet av Pressalit, på [pressalit.com](http://pressalit.com)

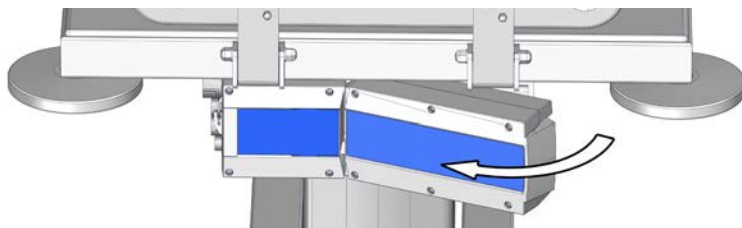
no

### VIKTIG

Sjekk regelmessig for skader på nakkestøtten. Dette vil forhindre infeksjon i nakkestøtten.

# Rengjøring

Ta ut batteriet før du rengjør det mobile dusjstallebordet.



Produktet skal rengjøres med varmt vann eller et mildt rengjøringsmiddel. Du finner en liste over passende rengjøringsmidler testet av Pressalit, på [pressalit.com](http://pressalit.com)

## **FORSIKTIG**

Les alltid produktdatabladet (MSDS) og instruksjonene som følger med rengjørings-, desinfeksjons- eller kalkfjerningsmiddelet, og følg instruksjonene for sikker bruk, fortynning, skylling, tørking, håndtering og oppbevaring av middelet.

## **VIKTIG**

- Ikke bruk autoklavering eller annen type damprengjøring.
- Unngå sterke rengjøringsmidler som inneholder syre.
- Spray aldri produktet direkte med en høytrykksspyler.
- Klorbaserte desinfiserende midler kan brukes til desinfisering av overflater i henhold til disse produktenes spesifikasjon og sikkerhetsanvisninger.

## **FORSIKTIG**

Ikke utfør noen form for rengjøring eller desinfisering av det mobile dusjstallebordet mens pasienten ligger på det.

# Elektromagnetisk kompatibilitet



- Bruk av andre tilbehør, transduasere og kabler enn det som er spesifisert eller levert av produsenten, kan føre til økt elektromagnetisk stråling eller redusert elektromagnetisk immunitet for dette utstyret og resultere i feilfunksjon.
- Bærbart RF-kommunikasjonsutstyr (inkludert periferiutstyr som antennekabler og eksterne antenner) bør ikke brukes nærmere enn 30 cm fra noen del av enheten, inkludert kablene, for å unngå redusert ytelse for denne enheten.
- Bruk av dette utstyret ved siden av eller stablet med annet utstyr bør unngås fordi det kan føre til feilfunksjon. Hvis slik bruk er nødvendig, bør dette utstyret og det andre utstyret observeres for å bekrefte at de fungerer normalt.

## Elektromagnetiske utslipp

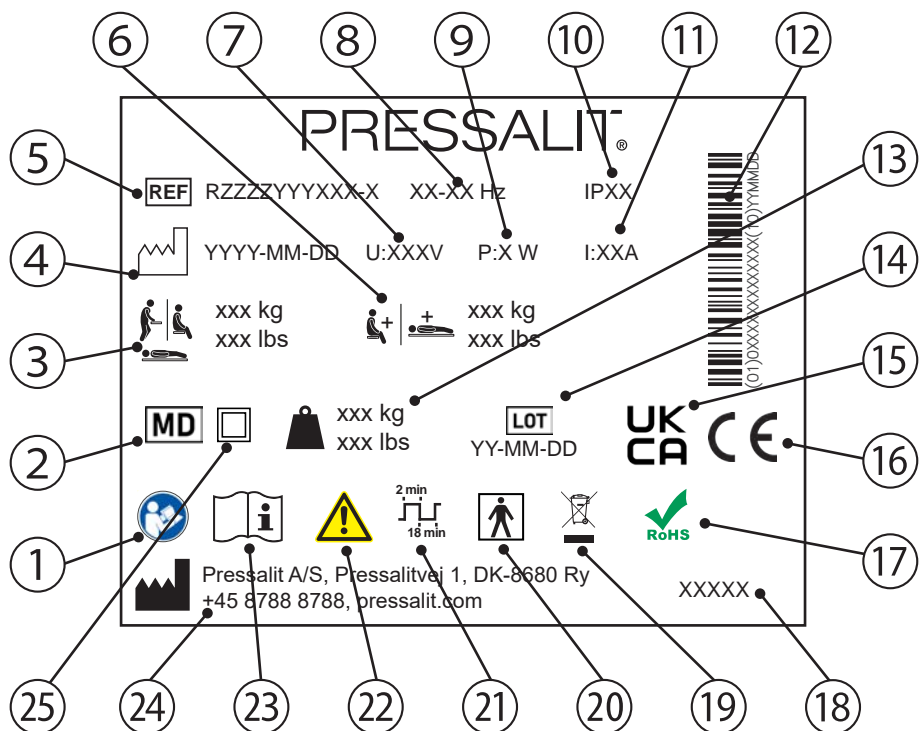
Teststandard	Testnivå / detaljer	Testresultater
60601-1-2 kap. 7.1.7 – CISPR 14	30 MHz–1 GHz	Bestått

## Elektromagnetisk immunitet

Teststandard	Overholdelsesnivå	Testnivå / detaljer	Testresultater
EN60601-1-2 og EN17966 (Hjemmesykepleiemiljø)	=> 10 V/m 2,7 GHz	15 V/m Frekvensområde: 80 MHz–6 GHz 1 % trinnstørrelse	Bestått
EN60601-1-2 (Nærhetsfelt fra trådløst RF-kommunikasjonsutstyr)	=> 10 V/m 2,7 GHz	15 V/m Frekvensområde: 385–5785 MHz	Bestått
IEC 61000-4-4 (Elektriske raske transienter / brister)		Rask puls-simulering	Bestått
Ledede forstyrrelser forårsaket av RF	Pulsundertrykkelse, 6 V	Pulsundertrykkelse, 10 V	Bestått
Elektrostatisk utladning		Statisk ladet person utlades på enhet, 8 kV og 15 kV	Bestått (*)

\* Hvis en statisk ladet person utlades på eller nær det mobile dusjstallebordets kontrollboks, kan det oppstå en feil i løftesøylene, og en tilbakestilling må utføres. Se "**Tilbakestilling**".

# Produktetikett



1 Se brukerhåndboken

2 Medisinsk enhet

3 Maksimal brukervekt

4 Produksjonsdato

5 Artikkelnummer

6 Maks. belastning

7 Nettspenning

8 Frekvens

9 Maksimalt strømforbruk

no

⑩ IP-klasse

---

⑪ Elektrisk strøm

---

⑫ GS1-128-strekkode

---

⑬ Produktvekt

---

⑭ Partikode

---

⑮ Samsvar vurdert i Storbritannia

---

Disse produktene er CE-merket i henhold til relevante krav i:

- Forordning (EU) 2017/745 (fra 5. April 2017) om medisinsk utstyr.

⑯

- Rådskdirektiv 2006/42/EF (fra 17. mai 2006) om maskiner.
- Rådskdirektiv 2011/65/EF (fra 8. mai 2011) om RoHS.

Du finner en samsvarserklæring på [pressalit.com](http://pressalit.com)

---

⑰ Dette produktet inneholder ingen av de farlige stoffene som nevnes i rådskdirektiv 2011/65/EF om RoHS.

---

⑱ Produktnavn (hvis dette finnes)

---

⑲ Skal ikke kastes sammen med usortert husholdningsavfall. Dette produktet skal samles inn separat og returneres til den relevante gjenvinningstjenesten.

---

⑳ Anvendt del type BF. Ved normal bruk vil en del av produktet nødvendigvis komme i fysisk kontakt med pasienten, for at produktets funksjon skal kunne utføres. Produktet overholder kravene i IEC 60601-1 angående beskyttelse mot elektrisk støt

---

㉑ Driftssyklus

---

㉒ Se håndboken for viktig sikkerhetsinformasjon som f.eks. advarsler og forholdsregler

---

㉓ Se brukerhåndboken

---

㉔ Navn og adresse til produsent

---

㉕ Dobbeltisolert elektrisk apparat


---

## Oppbevaring og transport

- Temperaturen for transport og oppbevaring av enheten må være mellom 5 og 40 grader Celsius.
- Enheten må alltid transporteres i original emballasje.
- Unngå å utsette emballasjen for støt og slag.
- Bruk aldri produktet hvis emballasjen er defekt eller skadet.

## Feilsøking

Symptom	Årsak	Tiltak
Ingen strøm.	Batteriet tomt.	Lad opp batteriet. Se " <b>Lade batteriet</b> ".
Ingen strøm.	Batteri i standby-modus.	Sett batteriet i laderen i ca. 15 sekunder. Se " <b>Lade batteriet</b> ".
Det mobile dusjstillebordet er skjevt selv om vippefunksjonen ikke er aktivert.	Løftesøylene er ikke synkronisert.	Tilbakestill løftesøylene. Se " <b>Tilbakestilling</b> ".
Det mobile dusjstillebordet kan ikke heves eller senkes.	Hvis en statisk ladet person utlades nær det mobile dusjstillebordets kontrollboks, kan det oppstå en feil i løftesøylene.	Tilbakestill løftesøylene. Se " <b>Tilbakestilling</b> ".

 Kontakt Pressalit A/S eller den lokale forhandleren hvis problemet vedvarer. Ikke prøv å reparere produktet selv, da dette vil gjøre garantien ugyldig.

Forventet levetid for det mobile dusjstillebordet er 10 år.



# Kassering og gjenvinning

Enheten inneholder materiale som kan gjenvinnes. Det er ingen kjente farer eller risikoer forbundet med avhending av produktet. Alle komponenter kan kasseres når de er blitt rengjort og desinfisert.

Når produktet avhendes, anbefaler vi at det demonteres og sorteres i ulike avfallsgrupper for gjenvinning eller forbrenning.

Den følgende tabellen gir informasjon om gjenvinning og håndtering av produktet.

<b>Komponenter som kan gjenvinnes</b>	<b>Materiale</b>
Stål	Stål kan gjenvinnes ved at det smeltes ned og inkluderes som et sekundærmateriale ved produksjon av nytt stål.
Plast	Bruk plastsorterings- og -gjenvinningssystemer hvis slike finnes tilgjengelig lokalt. Hvis ikke kan plasten brennes, noe som genererer ny energi som for eksempel kan brukes ved kombinert varme- og kraftproduksjon.
Elektronikk	De elektroniske komponentene skal samles inn separat og returneres til den relevante gjenvinningstjenesten.
Batterier	Kassering av batteriet må være i samsvar med lokale forskrifter.

# Contenido

Símbolos utilizados en este manual .....	187
Seguridad general .....	189
Distancias de seguridad .....	190
Uso previsto .....	192
Perfil de operador previsto .....	192
Perfil de usuario previsto .....	192
Entorno de funcionamiento .....	192
Contraindicaciones de uso .....	193
Biocompatibilidad .....	193
Instrucciones de funcionamiento .....	194
Frenos de seguridad .....	194
Traslado .....	195
Soportes laterales .....	196
Regulación de la altura .....	197
Función de inclinación .....	198
Reajuste .....	198
Carga de la batería .....	199
Accesorios .....	201
Colchón para ducha .....	201
Reposacabezas .....	203
Limpieza .....	204
Compatibilidad electromagnética .....	205
Emisiones electromagnéticas .....	205
Inmunidad electromagnética .....	206
Etiqueta del producto .....	207
Almacenamiento y transporte .....	209
Solución de problemas .....	209
Eliminación y reciclaje .....	210

# Símbolos utilizados en este manual

Los símbolos siguientes se utilizan en el presente manual y en la documentación complementaria suministrada con el producto.

## **ADVERTENCIA**

**ADVERTENCIA** indica una posible situación de peligro que, de no evitarse, podría provocar la muerte o lesiones graves.

## **ATENCIÓN**

**ATENCIÓN** indica una posible situación de peligro que, de no evitarse, podría provocar lesiones leves o moderadas. También puede utilizarse para advertir de prácticas inseguras.

## **IMPORTANTE**

**IMPORTANTE** indica información importante sobre la manipulación y la utilización del producto.

## **AVISO**

**AVISO** se utiliza para hacer referencia a prácticas no relacionadas con la seguridad personal.



Advertencia de posibles lesiones en la cabeza



Advertencia de posibles lesiones en las manos



Advertencia de posibles lesiones en los genitales



Advertencia de posibles lesiones en los pies



No deje al paciente sin supervisión.



Productos compatibles



Piezas de repuesto



Peso máx. del usuario



Número/Versiones de artículo



Indicación de peso



Información eléctrica

## Seguridad general



### ADVERTENCIA

- Lea todo el manual y asegúrese de entenderlo antes de cualquier uso. Mantenga el manual cerca de la unidad.
- Siga las indicaciones del manual para evitar accidentes que podrían ocasionar daños personales graves.
- No utilice ni manipule nunca el producto de forma distinta a como se especifica en el manual, ya que podría resultar peligroso y provocar daños en el producto.
- Asegúrese de que las personas que vayan a instalar o utilizar el producto y sus sistemas pueden acceder a este manual y disponen de la información necesaria.



### ATENCIÓN

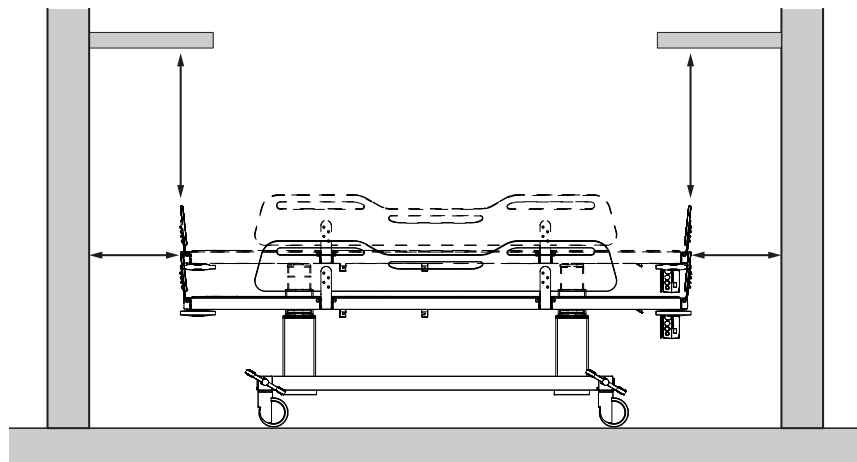
- Siga estas instrucciones para evitar dañar o destruir el producto.
- No lleve a cabo reparaciones ni operaciones de montaje y desmontaje, no instale extensiones ni reajuste o modifique el producto. Todas estas operaciones deben ser realizadas solamente por Pressalit o personas autorizadas por Pressalit.
- No deje nunca que los niños manipulen el producto sin supervisión. El producto no ha sido diseñado para el juego.
- No utilice nunca el producto si está defectuoso o dañado. No utilice nunca un producto defectuoso hasta que haya sido reparado.







### AVISO

- La información contenida en este manual se basa en el ajuste correcto del producto según nuestras instrucciones de montaje.
- Pressalit no se hace responsable de la utilización del producto de manera diferente a la descrita en la guía.
- Nos reservamos el derecho de modificar este manual sin previo aviso.

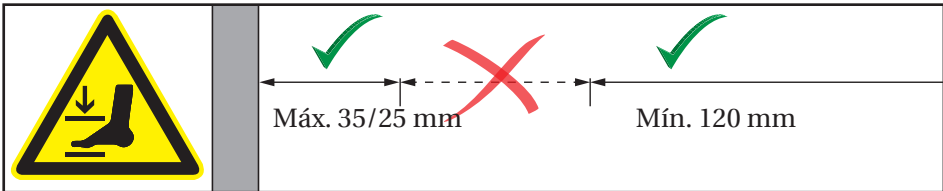
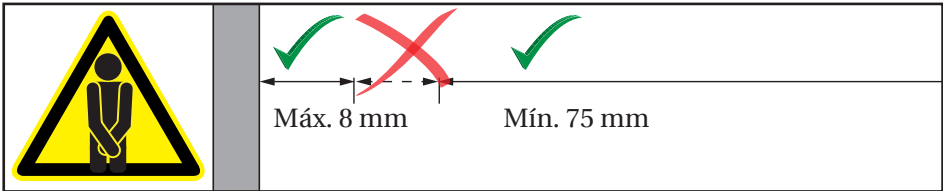
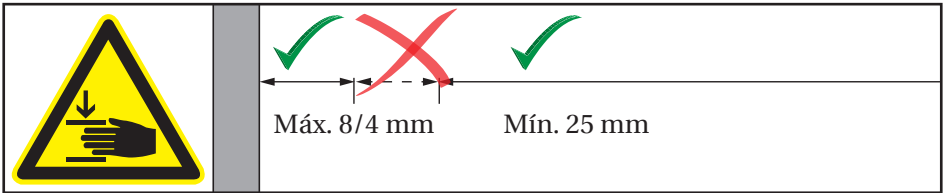
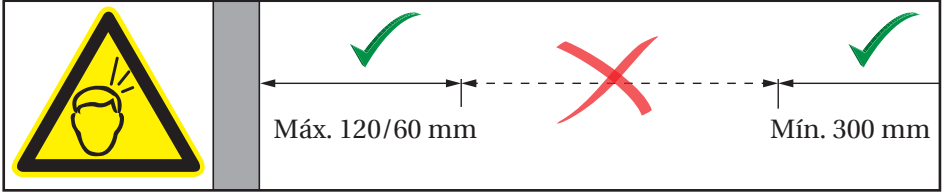
# Distancias de seguridad

Asegúrese de que haya una distancia de seguridad entre la unidad y los objetos de alrededor. Compruebe las distancias antes del uso.



ISO 17966:2016		
	Máx. 120 mm Mín. 300 mm	Máx. 60 mm Mín. 300 mm
	Máx. 8 mm Mín. 25 mm	Máx. 4 mm Mín. 25 mm
	Máx. 8 mm Mín. 75 mm	Máx. 8 mm Mín. 75 mm
	Máx. 35 mm Mín. 120 mm	Máx. 25 mm Mín. 120 mm

es



## ADVERTENCIA

Si la unidad se mueve dentro de las distancias de seguridad, exteme el control sobre las personas y los objetos de alrededor para evitar peligros de aplastamiento.

## Uso previsto

Este producto se ha diseñado para bañar a personas que no pueden mantenerse en pie o sentarse. La persona permanece horizontal en la camilla para ducha.

### Perfil de operador previsto

El producto debe utilizarlo únicamente personal formado en asistencia sanitaria y en el aseo asistencial.

### Perfil de usuario previsto

El producto puede ser utilizado con cualquier persona (adultos, niños, jóvenes y ancianos) cuyo peso no supere la **carga máxima de 200 kg.**

### Entorno de funcionamiento

Para uso en interiores de ambientes húmedos tales como baños o zonas de aseo. El producto está diseñado para ser utilizado a temperatura ambiente en vestuarios públicos, escuelas, casas privadas, centros de cuidado para personas mayores y hospitales en condiciones de trabajo normales.



La superficie del producto puede estar caliente y/o fría si se expone a fuentes de calor o frío externas (p. ej., luz solar o escarcha).

## AVISO

Debe informarse al fabricante y a las autoridades sanitarias de cualquier incidente grave que haya ocurrido en relación con el producto.



## **Contraindicaciones de uso**

No se recomienda bañar en la camilla para ducha/cambio a mujeres embarazadas.

No se recomienda bañar en la camilla para ducha/cambio a pacientes con bomba de infusión o insulina, enfermedades inflamatorias de la piel o a pacientes en condiciones febriles.

Se podrá bañar en la camilla para ducha/cambio a pacientes con insuficiencia cardíaca, enfermedades cardiovasculares, lesiones craneocerebrales, heridas abiertas, sondas de alimentación o drenaje (p. ej. catéter, tubo de drenaje) únicamente tras haber consultado con el médico responsable.

No debe utilizarse si el peso del paciente es superior a 200 kg.

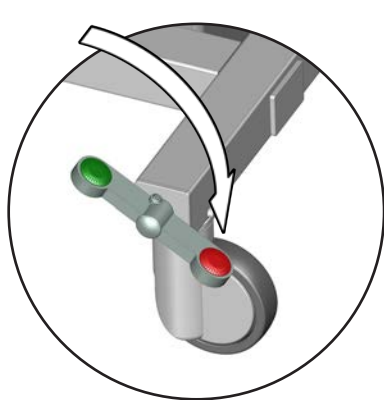
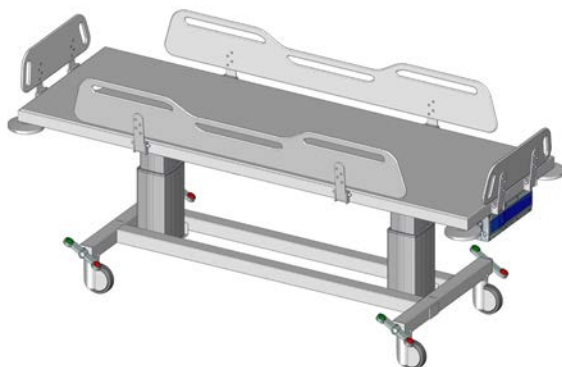
## **Biocompatibilidad**

El material en contacto con la piel del paciente o el usuario durante el procedimiento de cambio ha sido probado por su contenido de sustancias nocivas de acuerdo con la norma ISO 10993 sobre biocompatibilidad y, por lo tanto, se considera apto para su finalidad.

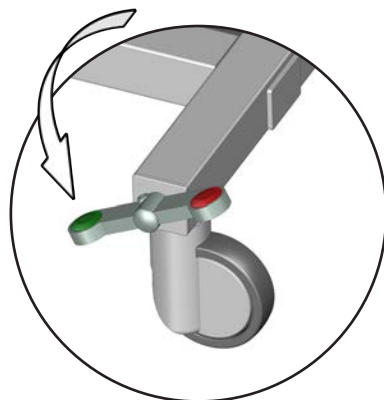
# Instrucciones de funcionamiento

## Frenos de seguridad

La camilla para ducha/cambio está equipada con frenos de seguridad en las cuatro ruedas giratorias para evitar un desplazamiento accidental.



**Para bloquear los frenos:** pise el botón rojo de uno de los 4 pedales basculantes para bloquear los frenos de las cuatro ruedas.



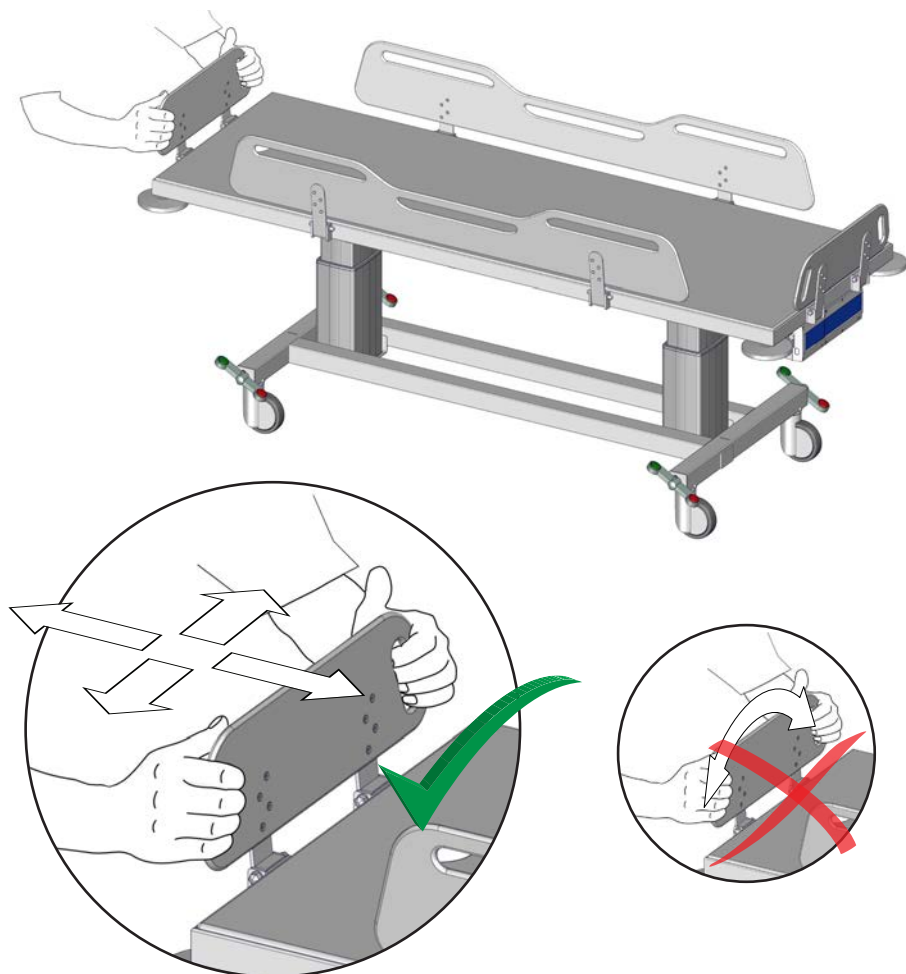
**Para desbloquear los frenos:** pise el botón verde de uno de los 4 pedales basculantes para desbloquear los frenos de las cuatro ruedas.



**ADVERTENCIA**

Asegúrese siempre de que los frenos estén bloqueados antes de subir a un paciente a la camilla para ducha/cambio o de bajarlo de ella.

## Traslado



Utilice las muescas de agarre situadas en los soportes laterales cuando desplace la camilla para ducha/cambio. Empuje hacia delante en la dirección deseada. No doble ni gire el soporte lateral.

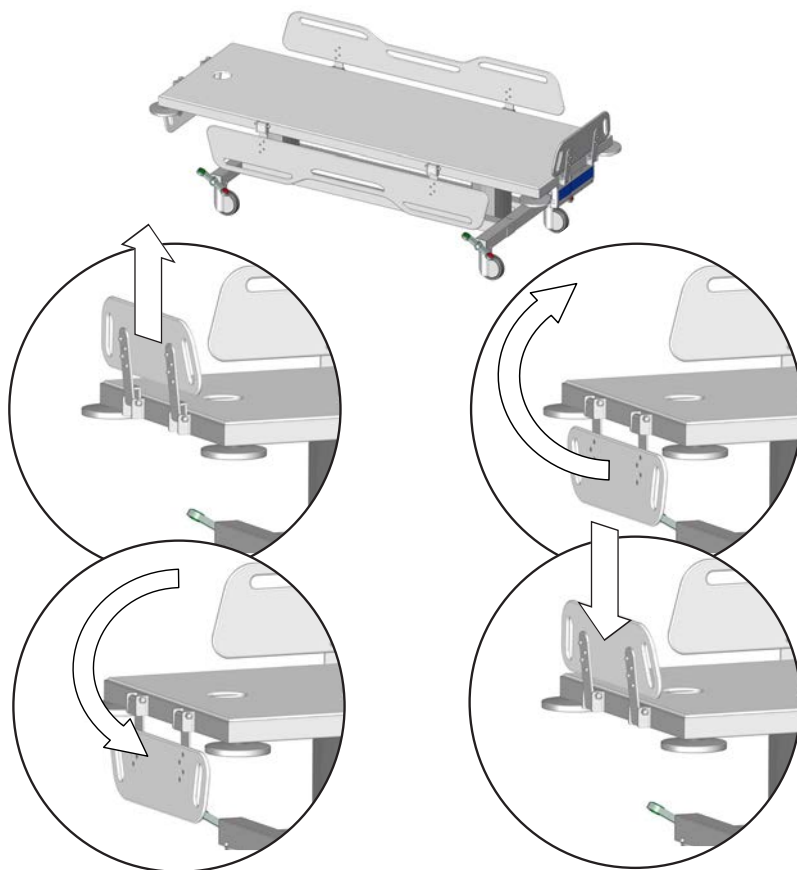
es



**No deje al paciente sin supervisión.**

## Soportes laterales

Los soportes laterales se pueden plegar y desplegar individualmente para facilitar la transferencia del paciente. Los soportes finales se pueden plegar y desplegar de forma individual para facilitar el acceso a los pies y las piernas del paciente (para colocación de medias, etc.).



**Para desplegar:** levante el soporte lateral para desbloquearlo y gírelo hacia abajo.

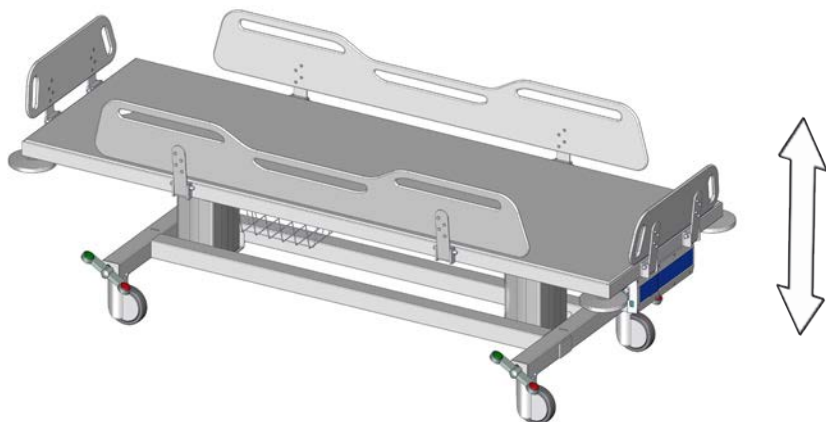
**Para plegar:** gire el soporte lateral hacia arriba y presiónelo hacia abajo para bloquearlo en su sitio.



**ADVERTENCIA**

Cuando la camilla esté en uso, asegúrese de que todos los soportes laterales estén erguidos y bloqueados para evitar así que el paciente caiga de la unidad.

## Regulación de la altura



La camilla para ducha/cambio permite una regulación en altura de 400 mm.

**Peso máx. del usuario: 200 kg**

**Carga máxima: 250 kg**

El ajuste de la altura se controla remotamente con una unidad de control remota con cable.



Pulse y mantenga pulsado el botón de subida para elevar la unidad.

El movimiento se detiene al soltar el botón.



Pulse y mantenga pulsado el botón de bajada para descender la unidad. El movimiento se detiene al soltar el botón.



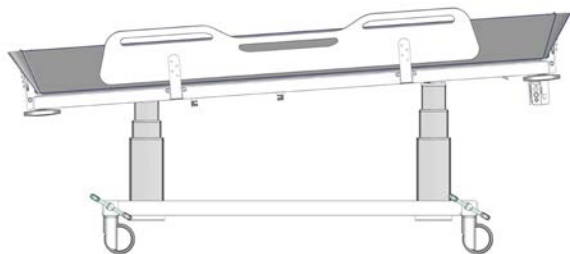
**Para evitar el riesgo de estrangulamiento, asegúrese de que el control remoto con cable esté colocado en su soporte cuando no se utilice.**

es



**Extreme la precaución para evitar lesiones en las manos, los pies y la cabeza alrededor de las piezas mecánicas en movimiento.**

## Función de inclinación



La camilla para ducha/cambio se puede inclinar aproximadamente 3 grados para permitir que drene el agua al utilizar el colchón para ducha opcional.

La función de inclinación se controla con una unidad de control remota con cable.



Pulse y mantenga pulsado el botón de inclinación hacia arriba para inclinar la unidad. El movimiento se detiene cuando la unidad se ha inclinado aprox. 3 grados o cuando se suelta el botón de inclinación hacia arriba.



Pulse y mantenga pulsado el botón de inclinación hacia abajo para nivelar la unidad. El movimiento se detiene cuando la unidad se ha nivelado o cuando se suelta el botón de inclinación hacia abajo.

También es posible subir y bajar la unidad cuando está en posición inclinada.

## Reajuste

Si la función de inclinación no funciona correctamente o si las dos columnas elevadoras no están sincronizadas, pruebe a reajustar el sistema de elevación.



Pulse y mantenga pulsado el botón de subida y el botón de bajada simultáneamente.



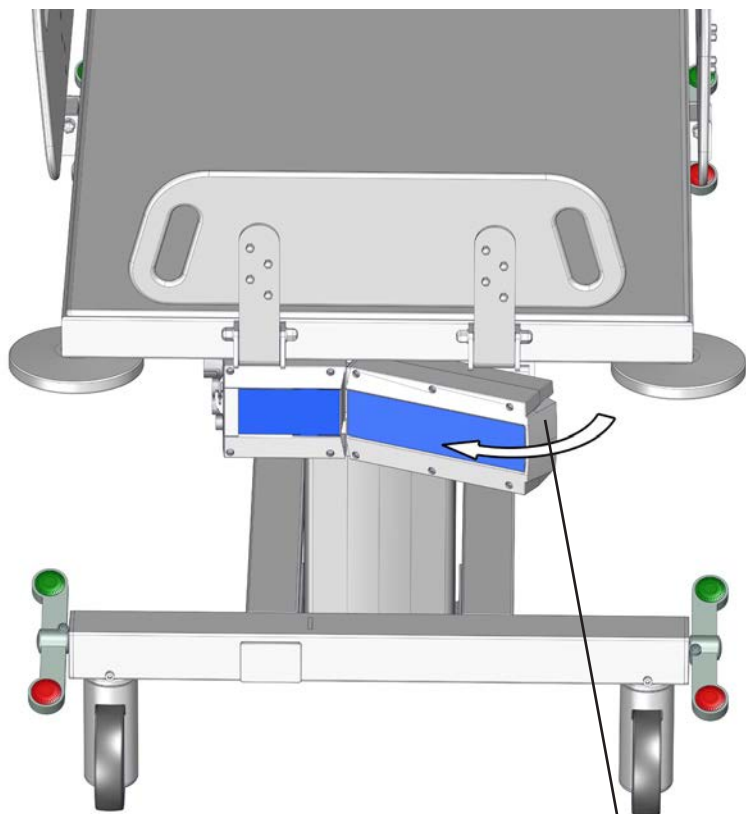
Las columnas se desplazarán hacia abajo después de unos segundos mientras se escucha una señal acústica.

Mantenga pulsados los dos botones hasta que deje de sonar la señal acústica.

Las columnas de elevación se han reajustado.

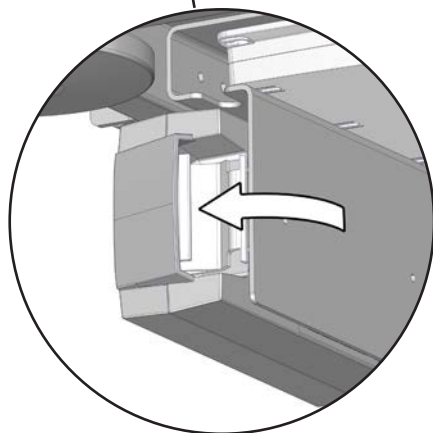
## Carga de la batería

La batería permite ajustar la altura de la camilla para ducha/cambio hasta 30 veces cuando está completamente cargada.

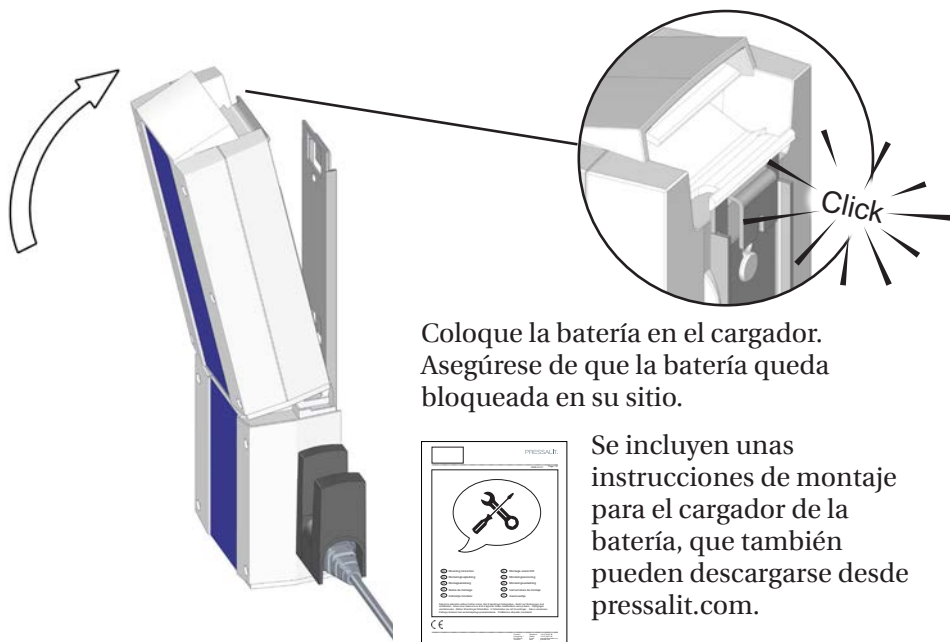


Para cargar la batería, desbloquee el seguro y extraiga la batería.

Una vez cargada, vuelva a colocar la batería antes de colocar al paciente en la camilla para ducha/cambio.



es



Coloque la batería en el cargador. Asegúrese de que la batería queda bloqueada en su sitio.

Se incluyen unas instrucciones de montaje para el cargador de la batería, que también pueden descargarse desde [pressalit.com](http://pressalit.com).

## **ATENCIÓN**

Cuando la batería se esté agotando se escuchará un pitido al utilizar el control remoto. Aunque quede suficiente batería para levantar o bajar la unidad, es fundamental cargar la batería o sustituirla de inmediato. Si no lo hace dejará de funcionar la función de elevación.

## **IMPORTANTE**

Si la batería no se ha utilizado durante más de una semana, entra en el modo de espera para ahorrar energía y proteger la batería. Coloque la batería en el cargador durante aprox. 15 segundos para salir del modo de espera antes de utilizarla.

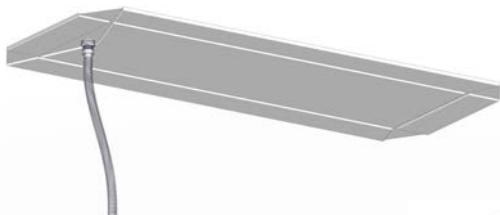
Tenga en cuenta que no existe ninguna señal acústica para indicar el modo de espera o la salida del modo de espera. Si todavía no hay energía después de salir del modo de espera, necesita cargar la batería. La batería debe recargarse cada 6 meses.



# Accesorios

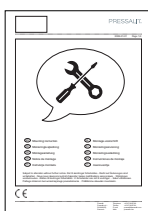
## Colchón para ducha

La camilla para ducha/cambio puede utilizarse como bañera si utiliza el colchón para ducha opcional (R844721 y R844717).



Conecte las mangueras de drenaje al colchón según las instrucciones de montaje incluidas.

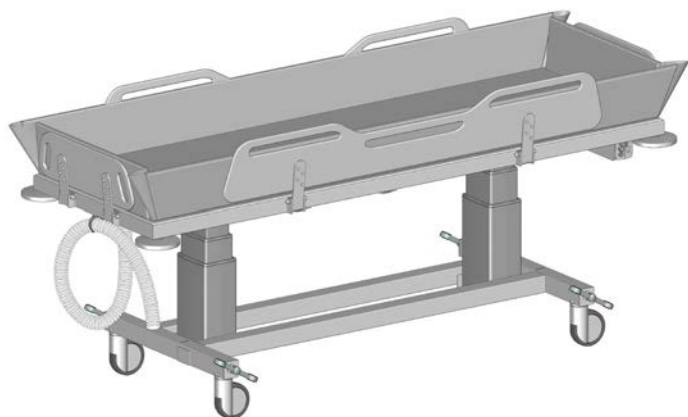
Introduzca la manguera de drenaje a través del orificio de desagüe de la camilla para ducha, pliegue el colchón y colóquelo sobre la camilla. Asegúrese de que los cuatro soportes laterales de la camilla para ducha estén plegados y bloqueados.



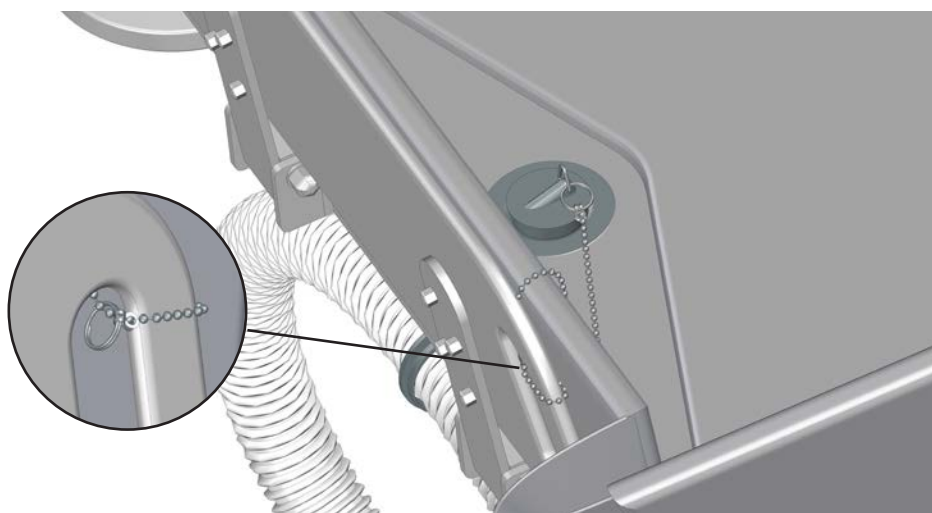
El colchón para ducha incluye instrucciones para conectar la manguera de drenaje, que también pueden descargarse desde [pressalit.com](http://pressalit.com).

## IMPORTANTE

- Compruebe regularmente el colchón en busca de daños. Con ello se pretende evitar la contaminación del colchón.
- Utilice guantes para manipular la manguera de residuos del colchón. Estos pueden contener residuos humanos.



Enrolle la manguera y engánchela al colgador para manguera.



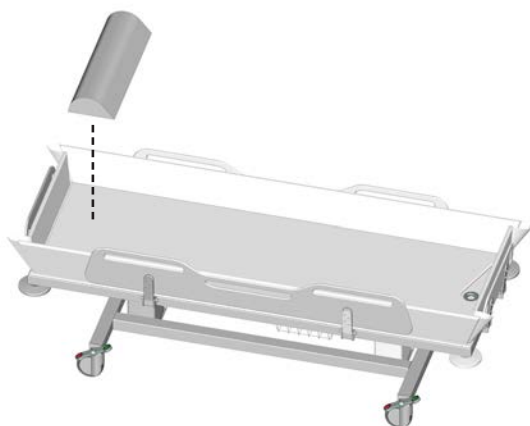
Enganche una de las anillas de la cadena al tapón. Enrolle la cadena con la otra anilla alrededor de uno de los mangos de la baranda para los pies.

## **IMPORTANTE**

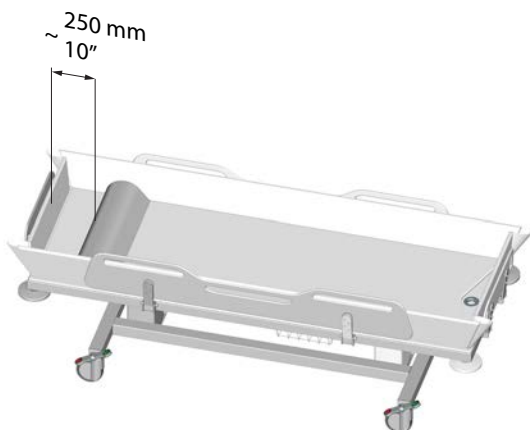
No mueva la camilla si hay agua en el colchón para ducha.

## Reposacabezas

El colchón para ducha puede utilizarse con un reposacabezas opcional para mayor comodidad (R844521).



Coloque el reposacabezas en el lugar para la cabeza en la camilla para ducha, aproximadamente a unos 250 mm del cabezal.



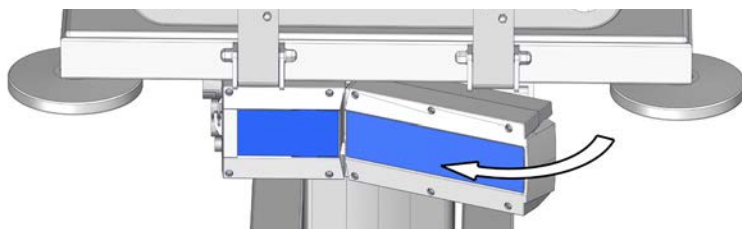
Limpie el colchón y el reposacabezas con agua caliente o con un agente de limpieza jabonoso suave. Encontrará una lista de agentes limpiadores/desinfectantes probados por Pressalit en [pressalit.com](http://pressalit.com)

### IMPORTANTE

Compruebe regularmente el reposacabezas en busca de daños. Con ello se pretende evitar la contaminación del reposacabezas.

# Limpieza

Extraiga la batería antes de limpiar la camilla para ducha/cambio.



Limpie el producto con agua caliente o con un agente de limpieza jabonoso suave. Encontrará una lista de agentes limpiadores probados por Pressalit en [pressalit.com](http://pressalit.com)

## **ATENCIÓN**

Lea siempre las hojas de datos de seguridad (MSDS) y las instrucciones suministradas de limpieza, desinfección o del agente descalcificador y siga las instrucciones de uso seguro, dilución, aclarado, secado, manipulación y almacenamiento del agente.

## **IMPORTANTE**

- No utilice sistemas de autoclave ni ningún otro tipo de limpieza a vapor.
- Evite los agentes limpiadores agresivos que contengan ácidos.
- Nunca pulverice el producto directamente con limpiadores de alta presión.
- Para la desinfección de las superficies pueden utilizarse desinfectantes clorados de acuerdo con la especificación del producto y las precauciones de seguridad de estos productos.

## **ATENCIÓN**

No realice ningún tipo de limpieza ni desinfección de la camilla para ducha/cambio mientras el paciente esté acostado sobre ella.

# Compatibilidad electromagnética



## ADVERTENCIA

- El uso de accesorios, transductores y cables distintos de los especificados o proporcionados por el fabricante podría provocar un aumento de las emisiones electromagnéticas o una disminución de la inmunidad electromagnética de este equipo y provocar un funcionamiento incorrecto.
- Los equipos de comunicación por RF portátiles (incluidos periféricos como cables de antena o antenas externas) no deben utilizarse a menos de 30 cm de cualquier parte de la unidad, incluidos los cables, para evitar cualquier tipo de degradación del rendimiento de la unidad.
- Debe evitarse el uso del equipo junto a otros equipos, o montado encima o debajo de otros equipos, puesto que podría dejar de funcionar correctamente. Si tal uso es necesario, este equipo y los demás equipos deben ser observados para verificar que funcionan con normalidad.

## Emisiones electromagnéticas

<b>Normativa de prueba</b>	<b>Nivel de prueba/detalles</b>	<b>Resultados de la prueba</b>
60601-1-2 ch. 7.1.7 - CISPR 14	30 Mhz-1 GHz	Superada

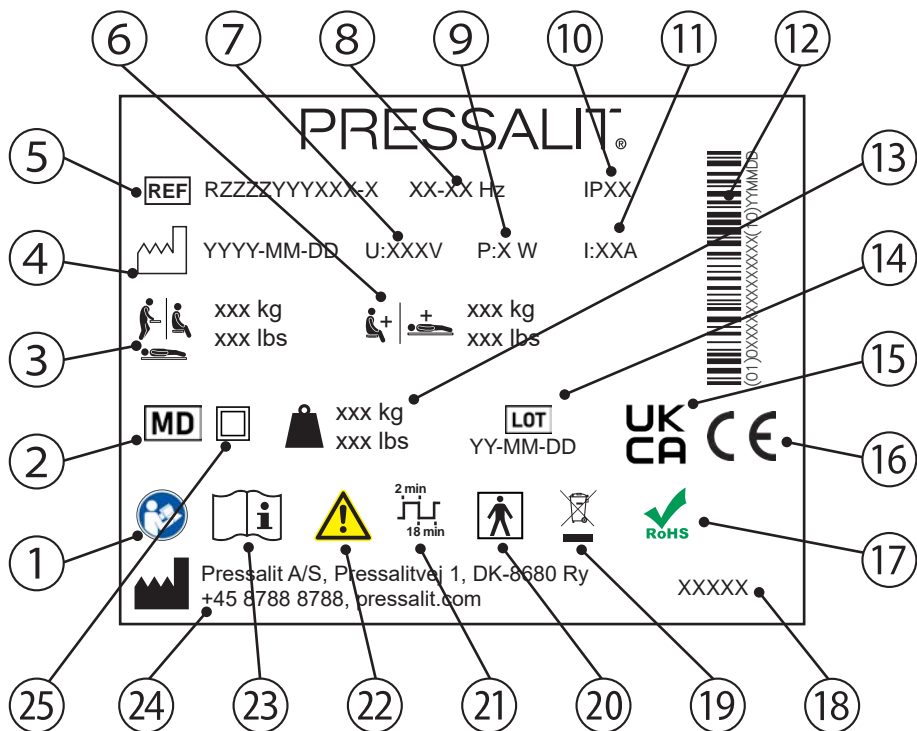
## Inmunidad electromagnética

<b>Normativa de prueba</b>	<b>Nivel de cumplimiento</b>	<b>Nivel de prueba/ detalles</b>	<b>Resultados de la prueba</b>
EN60601-1-2 y EN17966 (entorno sanitario doméstico)	=> 10 V/m 2,7 GHz	15 V/m Rango de frecuencia: 80 MHz-6 GHz Tamaño de paso del 1 %	Superada
EN60601-1-2 (Campos de proximidad de equipos de comunicación por RF inalámbrica)	=> 10 V/m 2,7 GHz	15 V/m Rango de frecuencia: 385-5785 MHz	Superada
IEC 61000-4-4 (Transitorios eléctricos rápidos/en ráfagas)		Simulación de impulsos rápidos	Superada
Alteraciones conducidas inducidas por RF	Sujeción a impulsos, 6 V	Sujeción a impulsos, 10 V	Superada
Descarga electrostática		Descarga de la carga estática de la persona en la unidad, 8 kV y 15 kV	Superada (*)

\* Si una persona con carga estática descarga cerca de la caja de control de la camilla para ducha o en la misma, puede producirse un fallo en las columnas de elevación, en cuyo caso será necesario un reajuste. Consulte el apartado

es **Reajuste.**

# Etiqueta del producto



1 Consulte el manual de uso.

2 Producto sanitario

3 Peso máximo del usuario

4 Fecha de fabricación

5 Número de artículo

6 Carga máxima

7 Voltaje

8 Frecuencia

9 Consumo máximo de energía

⑩ Clase IP

---

⑪ Corriente eléctrica

---

⑫ Código de barras GS1-128

---

⑬ Indicación de peso

---

⑭ Código de lote

---

⑮ Conformidad evaluada del Reino Unido

---

Estos productos cuentan con marcado CE de conformidad con los requisitos incluidos en:

- Reglamento (UE) 2017/745 (del 5 de abril de 2017) sobre productos sanitarios.

⑯ • Directiva 2006/42/CE del Consejo (del 17 de mayo de 2006) sobre maquinaria.

- Directiva 2011/65/CE del Consejo (del 8 de junio de 2011) sobre RoHS.

Puede encontrar la declaración de conformidad en [pressalit.com](http://pressalit.com)

---

⑰ Este producto no contiene sustancias peligrosas mencionadas en la Directiva 2011/65/CE del Consejo sobre RoHS.

---

⑱ Nombre del producto (si hay)

---

No deseche el producto como residuo urbano no clasificado. El producto debería recogerse por separado y ser trasladado al centro de reciclaje designado.

⑳ Pieza aplicada de tipo BF. Parte del producto entra en contacto físico con el paciente durante su uso normal. El producto cumple los requisitos de la normativa IEC 60601-1 para garantizar la protección frente a descargas eléctricas.

---

㉑ Ciclo de trabajo

---

㉒ Consulte el manual para conocer la información de precaución importante como las advertencias y las precauciones.

---

㉓ Consulte el manual de uso.

---

㉔ Nombre y dirección del fabricante

---

㉕ Aparato eléctrico con aislamiento doble

---



## Almacenamiento y transporte

- La temperatura para el transporte y el almacenamiento de la unidad debe estar comprendida entre 5 y 40 grados Celsius.
- La unidad debe transportarse siempre en el embalaje original.
- Evite golpes y sacudidas al embalaje.
- No utilice el producto si el embalaje está roto o dañado.

## Solución de problemas

Síntoma	Causa	Acción
Sin energía.	Batería agotada.	Recargue la batería. Consulte el apartado <b>Carga de la batería.</b>
Sin energía.	Batería en modo de espera.	Coloque la batería en el cargador durante aprox. 15 segundos. Consulte el apartado <b>Carga de la batería.</b>
La camilla para ducha está inclinada aunque la función de inclinación no está activada.	Las columnas de elevación no están sincronizadas.	Reajuste las columnas de elevación. Consulte el apartado <b>Reajuste.</b>
La camilla para ducha no se puede subir ni bajar.	Si una persona con carga estática descarga cerca de la caja de control de la camilla para ducha, puede producirse un fallo en las columnas de elevación.	Reajuste las columnas de elevación. Consulte el apartado <b>Reajuste.</b>

Póngase en contacto con Pressalit A/S o su distribuidor local si no logra solucionar el problema. No intente reparar el producto usted mismo, ya que anularía la garantía.

La vida útil estimada de la camilla para ducha/cambio es de 10 años.

## Eliminación y reciclaje

La unidad contiene materiales reutilizables. No se conocen peligros o riesgos relacionados con la eliminación del producto. Todos los componentes pueden ser desechados una vez limpiados y desinfectados.

Para eliminar el producto, se recomienda desmontarlo y separar sus piezas en diferentes grupos de residuos para su reciclaje o combustión.

En la siguiente tabla encontrará información sobre el reciclaje y la gestión del producto.

<b>Componentes reciclables</b>	<b>Material</b>
Acero	El acero puede reciclarse mediante fundición e incluirse en un material secundario para la producción de acero nuevo.
Plásticos	Utilice los sistemas de clasificación y reciclaje disponibles localmente; si no los hubiera, la incineración de plástico tiene el beneficio añadido de generar energía, que puede utilizarse para la producción combinada de calor y energía.
Componentes electrónicos	Los componentes electrónicos deberían recogerse por separado y ser trasladados al centro de reciclaje designado.
Baterías	La eliminación de la batería debe efectuarse según la normativa local.

# Spis treści

Symbole używane w niniejszej instrukcji	212
Ogólne wskazówki bezpieczeństwa	214
Bezpieczne odległości	215
Użytkowanie zgodne z przeznaczeniem	217
Profil zamierzonego operatora	217
Profil zamierzonego użytkownika	217
Środowisko użytkowania	217
Przeciwwskazania do stosowania	218
Biozgodność	218
Instrukcja obsługi	219
Hamulce bezpieczeństwa	219
Przemieszczanie wózka	220
Podpórki boczne	221
Regulacja wysokości	222
Funkcja przechylania	223
Resetowanie	223
Ładowanie akumulatora	224
Akcesoria	226
Materac kąpielowy	226
Podglówek	228
Czyszczenie	229
Kompatybilność elektromagnetyczna	230
Emisje elektromagnetyczne	230
Odporność elektromagnetyczna	231
Etykieta wyrobu	232
Przechowywanie i transport	234
Rozwiązywanie problemów	234
Utylizacja i recykling	235

# Symbole używane w niniejszej instrukcji

W niniejszej instrukcji oraz w dokumentacji dostarczonej z wyrobem użyto następujących symboli.



## OSTRZEŻENIE

**OSTRZEŻENIE** wskazuje na sytuację potencjalnie niebezpieczną, dopuszczenie do której może skutkować śmiercią lub poważnymi obrażeniami.



## UWAGA

**UWAGA** wskazuje na sytuację potencjalnie niebezpieczną, dopuszczenie do której może skutkować niewielkimi lub umiarkowanymi obrażeniami. Powyższe może również służyć jako ostrzeżenie przed niebezpiecznymi praktykami.

## WAŻNE

**WAŻNE** wskazuje na istotną informację dotyczącą postępowania z wyrobem lub jego użytkowania.

## INFORMACJA

**INFORMACJA** dotyczy praktyk niezwiązanych z bezpieczeństwem ludzi.



Ostrzeżenie przed obrażeniami  
głowy



Ostrzeżenie przed obrażeniami  
dłoni



Ostrzeżenie przed obrażeniami  
genitaliów



Ostrzeżenie przed obrażeniami  
stóp



Nie wolno zostawiać pacjenta bez nadzoru.



Kompatybilne produkty



Części zamienne



Maksymalna masa użytkownika



Nr artykułu / wersja



Waga wyrobu



Parametry elektryczne

# Ogólne wskazówki bezpieczeństwa



## OSTRZEŻENIE

- Przed użyciem wyrobu przeczytaj i zapoznaj się z instrukcją. Instrukcję przechowuj w pobliżu wyrobu.
- Przestrzegaj niniejszej instrukcji, aby uniknąć wypadków prowadzących do poważnych obrażeń.
- Nigdy nie używaj wyrobu do celów lub w sposób niezgodny z niniejszą instrukcją, ponieważ zagraża to Twojemu bezpieczeństwu i grozi uszkodzeniem wyrobu.
- Upewnij się, że wszystkie osoby montujące lub używające tego wyrobu i jego systemów posiadają niezbędne informacje oraz dostęp do niniejszej instrukcji.



## UWAGA

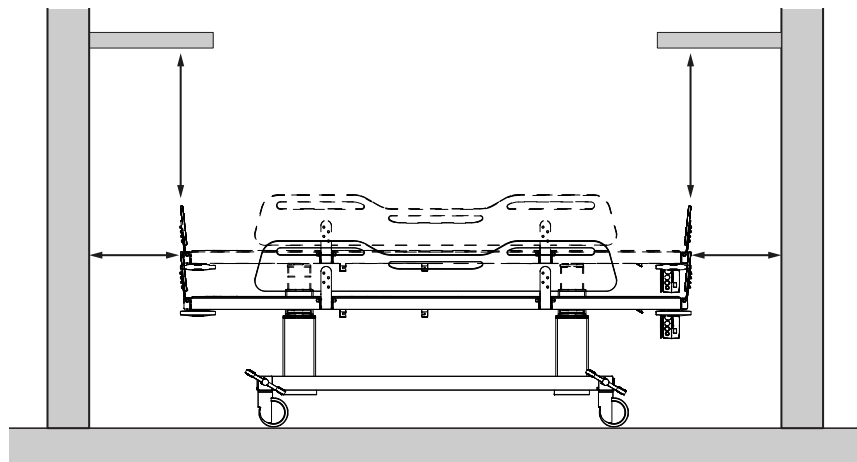
- Przestrzegaj niniejszej instrukcji, aby uniknąć uszkodzenia lub zniszczenia wyrobu.
- Nie dokonuj samodzielnych napraw, demontażu lub montażu, rozbudowy, regulacji lub modyfikacji wyrobu. Czynności takie mogą być przeprowadzane wyłącznie przez firmę Pressalit lub upoważniony przez nią personel.
- Nigdy nie pozwalaj dzieciom obsługiwać tego wyrobu bez nadzoru. Ten wyrób nie jest zabawką.
- Nigdy nie używaj wadliwego lub uszkodzonego wyrobu. Nie używaj uszkodzonego wyrobu przed jego naprawą.







## INFORMACJA

- Informacje zawarte w niniejszej instrukcji zakładają właściwe mocowanie wyrobu zgodnie z instrukcją montażu.
- Pressalit nie ponosi odpowiedzialności w sytuacji, gdy wyrób jest użytkowany w jakikolwiek sposób odbiegający od przedstawionego w niniejszej instrukcji.
- Zastrzegamy sobie prawo do zmian niniejszej instrukcji bez wcześniejszego powiadomienia.

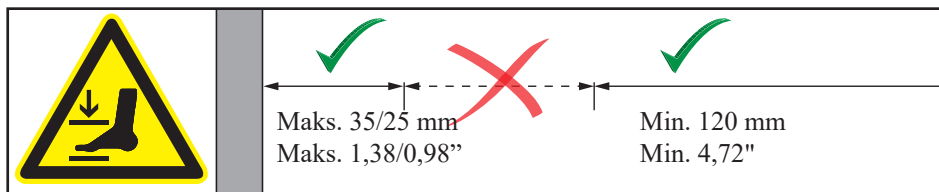
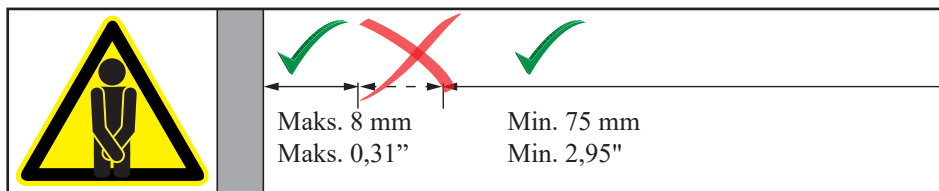
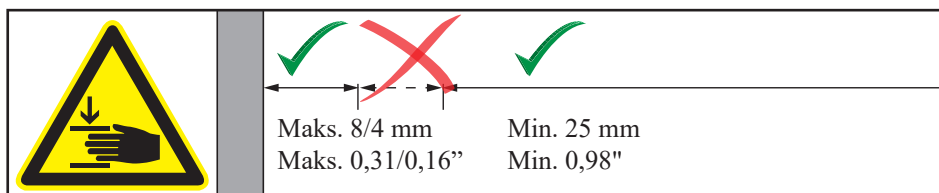
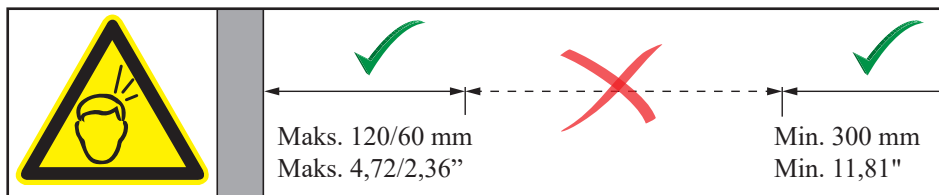
## Bezpieczne odległości

Upewnij się, że urządzenie znajduje się w bezpiecznej odległości od otaczających je przedmiotów. Sprawdź te odległości przed każdym użyciem.



ISO 17966:2016		
	Maks. 120 mm (4,72") Min. 300 mm (11,81")	Maks. 60 mm (2,36") Min. 300 mm (11,81")
	Maks. 8 mm (0,31") Min. 25 mm (0,98")	Maks. 4 mm (0,16") Min. 25 mm (0,98")
	Maks. 8 mm (0,31") Min. 75 mm (2,95")	Maks. 8 mm (0,31") Min. 75 mm (2,95")
	Maks. 35 mm (1,38") Min. 120 mm (4,72")	Maks. 25 mm (0,98") Min. 120 mm (4,72")

pl



**! OSTRZEŻENIE**

Podczas ruchu urządzenia w zakresie bezpiecznych odległości obserwuj uważnie osoby i przedmioty znajdujące się wokół niego, aby uniknąć ryzyka zmiążdżenia.



## Użytkowanie zgodne z przeznaczeniem

Ten wyrób jest przeznaczony do kąpania osób, które nie są w stanie stać ani siedzieć. Obsługiwana osoba leży na wózku kąpielowym.

### Profil zamierzonego operatora

Ten wyrób jest przeznaczony do użytku przez personel przeszkolony w zakresie opieki zdrowotnej nad pacjentami oraz ich mycia.

### Profil zamierzonego użytkownika

Z wyrobu mogą korzystać wszystkie osoby (dorośli, dzieci oraz osoby młode i starsze), których waga nie przekracza **200 kg**.

### Środowisko użytkowania

Wyrób jest przeznaczony do użytkowania w wilgotnym otoczeniu, takim jak łazienka lub umywalnia. Wyrób jest przeznaczony do eksploatacji w temperaturze pokojowej w przebieralniach publicznych, szkołach, gospodarstwach domowych, domach opieki i szpitalach, w normalnych warunkach pracy.



**UWAGA**

Powierzchnia produktu może się nagrzewać lub schładzać w przypadku wystawienia na działanie zewnętrznych źródeł ciepła lub zimna (np. światła słonecznego lub mrozu).

**INFORMACJA**

Każde poważne zdarzenie, które nastąpiło w związku z wyrobem, należy zgłosić producentowi i organom służby zdrowia.

pl

## **Przeciwwskazania do stosowania**

Nie zaleca się kąpania w wózku kobiet w ciąży.

Nie zaleca się kąpania w wózku pacjentów korzystających z pompy infuzyjnej lub insulinowej, pacjentów z chorobami zapalnymi skóry ani pacjentów z podwyższoną temperaturą ciała.

Pacjenci z niewydolnością serca, chorobami układu krążenia, obrażeniami czaszkowo-mózgowymi lub otwartymi ranami, a także pacjenci żywieni przez przewód pokarmowy lub z podłączonymi drenami bądź cewnikami mogą być kąpani w wózku wyłącznie po konsultacji z ich lekarzem prowadzącym.

Nie stosować, jeżeli masa pacjenta przekracza 200 kg.

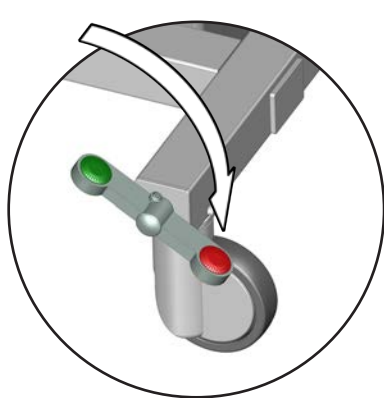
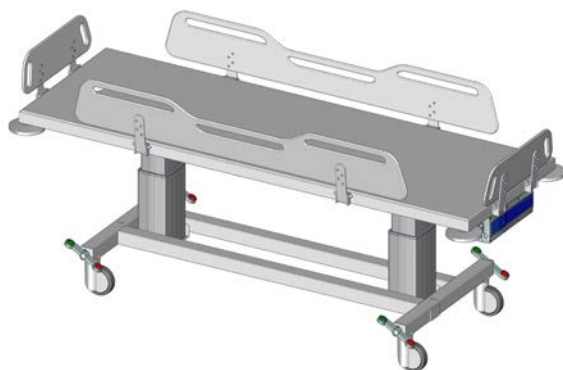
## **Biozgodność**

Materiały mające kontakt ze skórą pacjenta lub użytkownika podczas przebiegania przebadano pod kątem zawartości substancji szkodliwych zgodnie z normą ISO 10993 Biokompatybilność i na tej podstawie uznano za odpowiednie do tego celu.

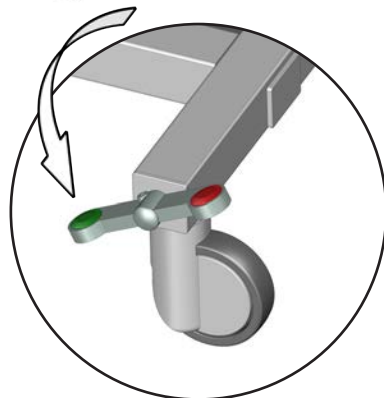
# Instrukcja obsługi

## Hamulce bezpieczeństwa

Wózek kąpielowo-toaletowy posiada hamulce bezpieczeństwa na wszystkich czterech kółkach jezdnych, co pozwala zapobiec jego niezamierzonemu przemieszczaniu się.



**Blokowanie hamulców:** Naciśnij stopą czerwony przycisk na jednym z czterech pedałów uchylnych. Zablokuje to hamulce we wszystkich czterech kółkach.



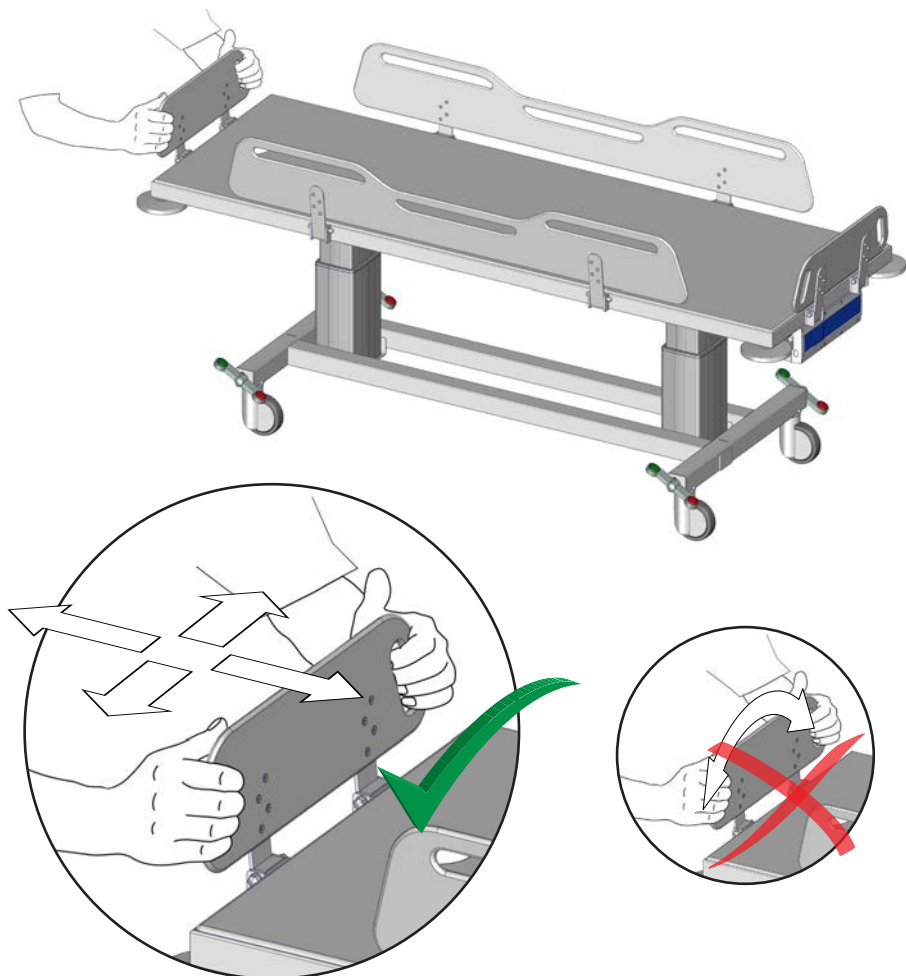
**Odblokowanie hamulców:** Naciśnij stopą zielony przycisk na jednym z czterech pedałów uchylnych. Odblokuje to hamulce we wszystkich czterech kółkach.



**OSTRZEŻENIE**

Przed przemieszczeniem pacjenta na wózek oraz z wózka upewnij się, że hamulce są zablokowane.

## Przemieszczanie wózka



Wózek należy przemieszczać, trzymając uchwyty wycięte w podpórkach bocznych. Pchaj wózek prosto przed siebie w pożądanym kierunku. Nie skręcaj ani nie obracaj podpórek bocznych.

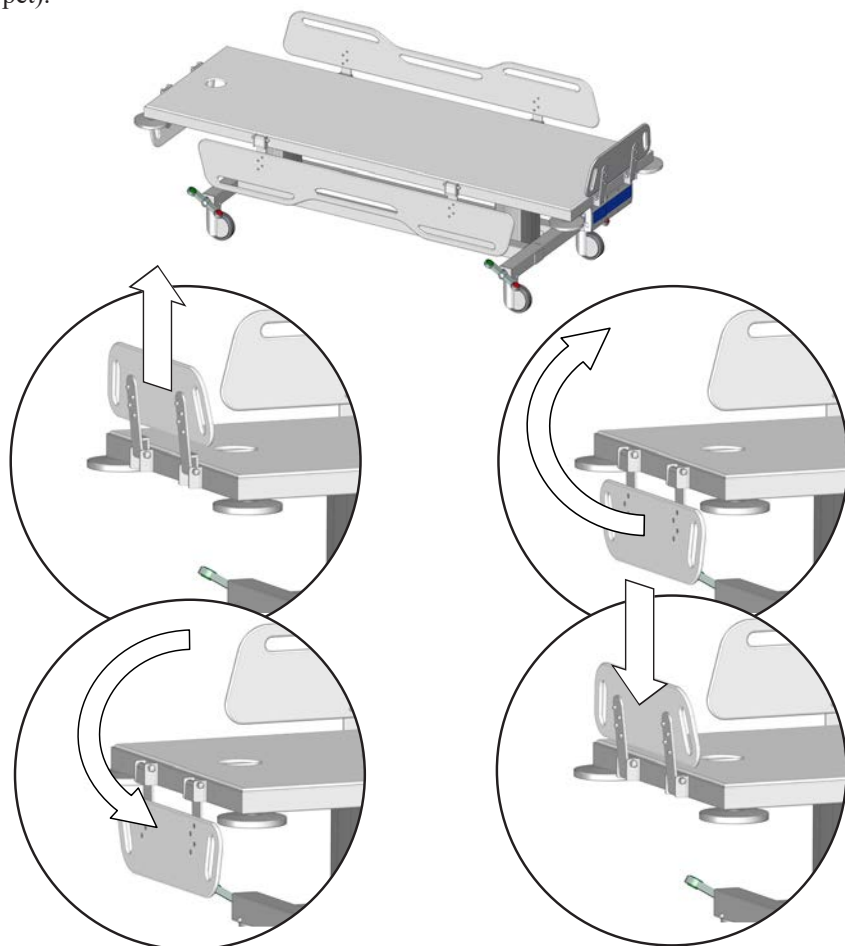
pl



**Nie wolno zostawiać pacjenta bez nadzoru.**

## Podpórki boczne

Każdą podpórkę boczną można łatwo podnosić i opuszczać, aby ułatwić przemieszczanie pacjenta. Każdą podpórkę końcową można łatwo podnosić i opuszczać, by uzyskać wygodny dostęp do stóp/nóg pacjenta (np. w celu włożenia skarpet).



**Opuszczanie:** Pociągnij podpórkę boczną do góry, by zwolnić blokadę, a następnie opuść ją w dół.

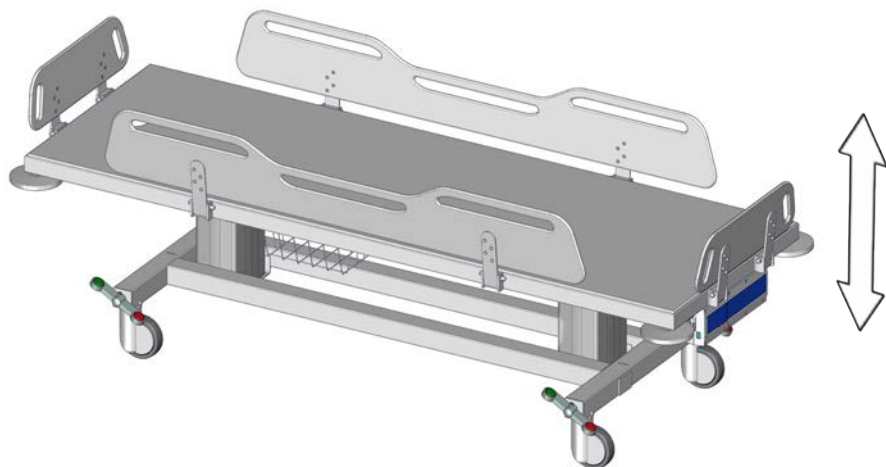
**Podnoszenie:** Podnieś podpórkę boczną do góry, a następnie wciśnij ją w dół, by zablokować jej mocowanie.



**OSTRZEŻENIE**

Przed korzystaniem z wózka upewnij się, że wszystkie podpórki boczne są podniesione i zablokowane, by zapobiec wypadnięciu pacjenta z wózka.

## Regulacja wysokości



Wysokość wózka można regulować o 400 mm / 15,75" w górę i w dół.

**Maksymalna masa użytkownika: 200 kg**

**Maksymalne obciążenie: 250 kg**

Regulacją wysokości steruje się za pomocą pilota przewodowego.



Naciśnij i przytrzymaj przycisk ruchu w górę, by podnieść urządzenie. Po zwolnieniu przycisku ruch zostanie zatrzymany.



Naciśnij i przytrzymaj przycisk ruchu w dół, by opuścić urządzenie. Po zwolnieniu przycisku ruch zostanie zatrzymany.

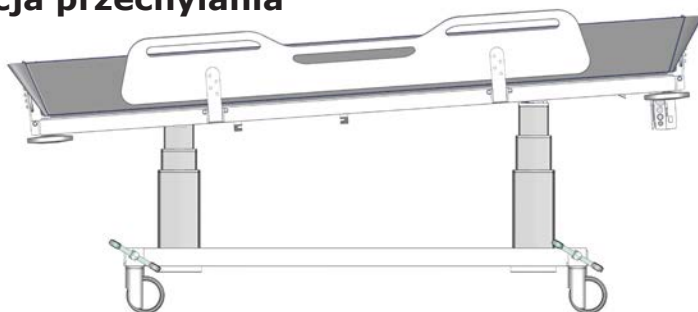


**Aby uniknąć ryzyka uduszenia, upewnij się, że nieużywany pilot przewodowy znajduje się w uchwycie.**



**Aby uniknąć obrażeń rąk, stóp i głowy, zachowaj ostrożność w pobliżu ruchomych części.**

## Funkcja przechylenia



Wózek można przechylić o około trzy stopnie, aby pozwolić na spłynięcie wody, gdy stosowany jest opcjonalny materac kąpielowy.

Funkcją przechylenia steruje się za pomocą pilota przewodowego.



Naciśnij i przytrzymaj przycisk przechyłu w górę, by przechylić urządzenie. Urządzenie zatrzymuje się, gdy przechył osiągnie około trzy stopnie lub po zwolnieniu przycisku.



Naciśnij i przytrzymaj przycisk przechyłu w dół, by wypoziomować urządzenie. Urządzenie zatrzymuje się po wypoziomowaniu lub po zwolnieniu przycisku.

Przechylony wózek nadal można podnosić i opuszczać.

## Resetowanie

Jeśli funkcja podnoszenia nie działa poprawnie lub dwie kolumny podnoszące nie są zsynchronizowane, spróbuj zresetować system podnoszący.



Jednocześnie naciśnij i przytrzymaj przyciski ruchu w górę i w dół.



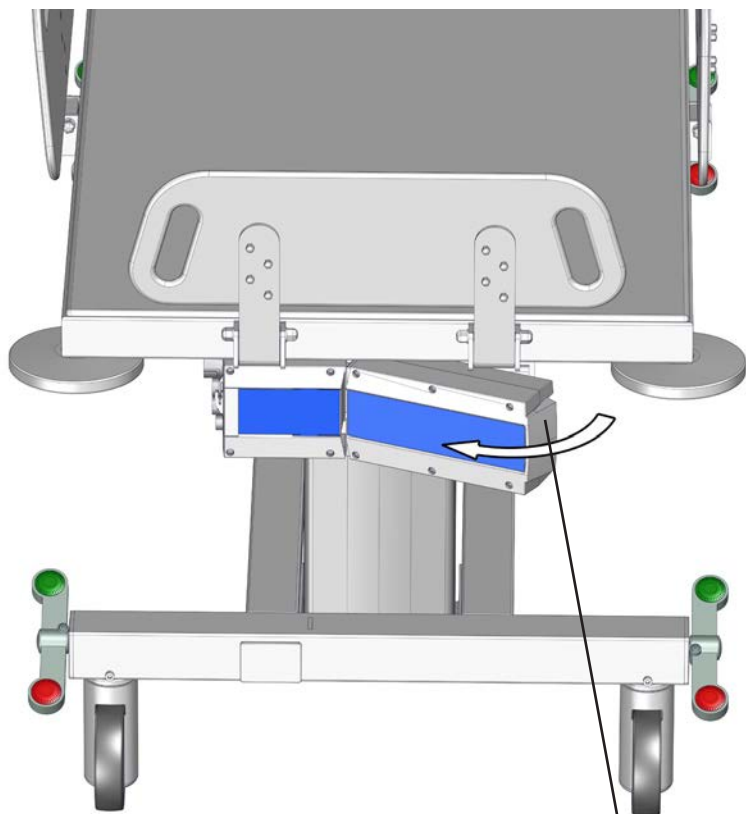
Po kilku sekundach kolumny rozpoczną ruch w dół i nadany zostanie sygnał dźwiękowy.

Trzymaj obydwa przyciski wciśnięte, dopóki sygnał dźwiękowy nie ucichnie.

Kolumny podnoszące są teraz zresetowane.

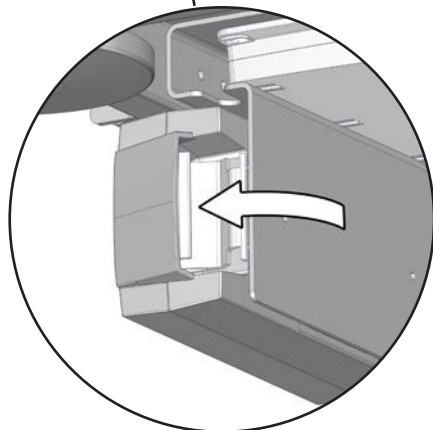
## Ładowanie akumulatora

Całkowicie naładowany akumulator pozwala na maksymalnie 30 operacji regulowania wysokości wózka.

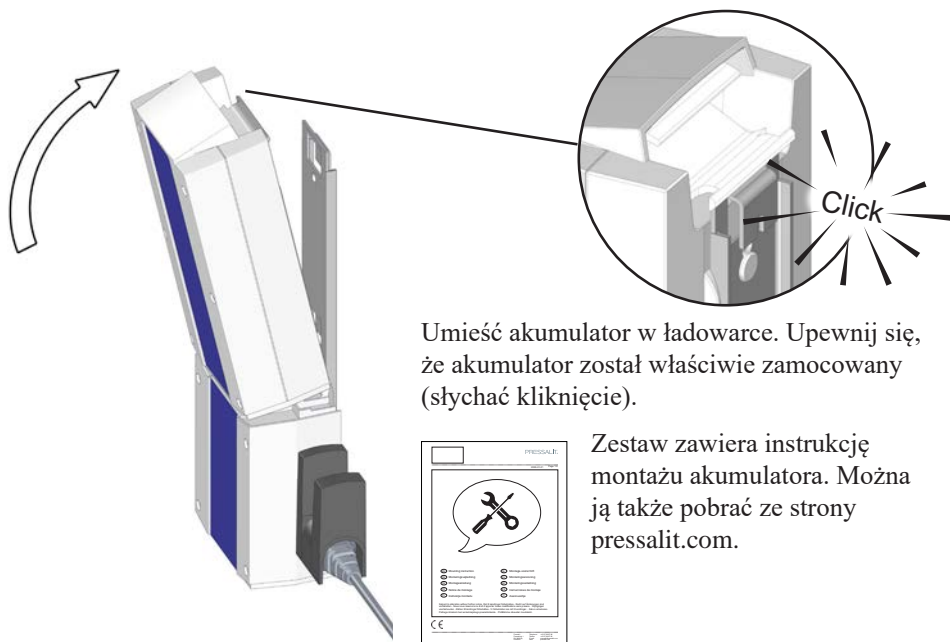


Zwolnij blokadę, by wyjąć akumulator do ładowania.

Po ładowaniu najpierw zamocuj akumulator z powrotem, a dopiero później ułóż pacjenta na wózku.







Umieść akumulator w ładowarce. Upewnij się, że akumulator został właściwie zamocowany (słychać kliknięcie).

Zestaw zawiera instrukcję montażu akumulatora. Można ją także pobrać ze strony [pressalit.com](http://pressalit.com).

## UWAGA

Gdy akumulator wyczerpuje się, podczas obsługi pilota słychać sygnał dźwiękowy. Mimo, że energii wystarczy jeszcze, aby podnieść lub obniżyć urządzenie, należy koniecznie naładować lub wymienić akumulator. W przeciwnym razie funkcja podnoszenia przestanie działać.

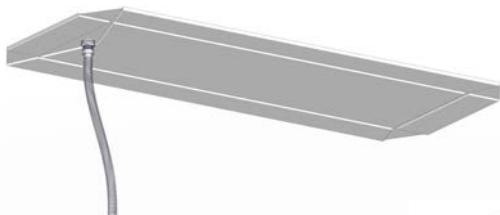
## WAŻNE

Jeśli akumulator nie był używany przez ponad tydzień, wchodzi w tryb czuwania, który oszczędza prąd i chroni akumulator. Przed użyciem takiego akumulatora umieść go w ładowarce na około 15 sekund, by zakończyć tryb czuwania. Pamiętaj, że ani rozpoczęcie, ani zakończenie trybu czuwania nie jest sygnalizowane dźwiękiem. Jeśli po zakończeniu trybu czuwania akumulator nie ma mocy, trzeba go naładować. Akumulator należy ładować co sześć miesięcy.

# Akcesoria

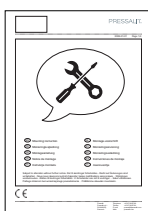
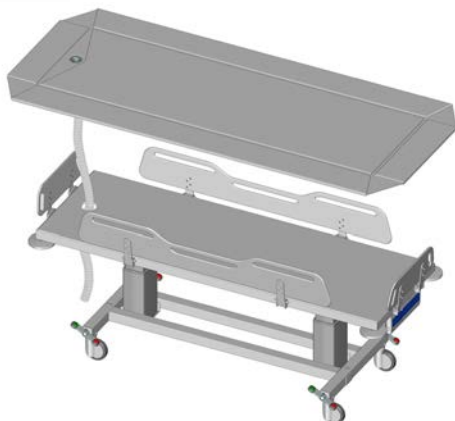
## Materac kąpielowy

Wózka kąpielowo-toaletowego można używać jak wanny. Trzeba w tym celu zastosować opcjonalny materac kąpielowy (R844721 i R844717).



Podłącz wąż spustowy do otworu w materacu zgodnie z instrukcją montażu.

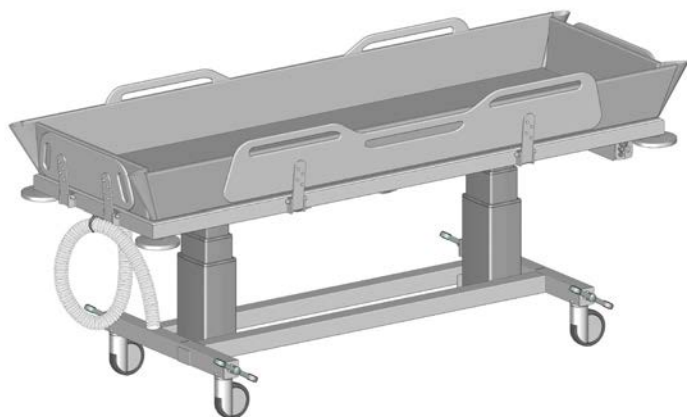
Przeciągnij wąż spustowy przez otwór w wózku, złóż odpowiednio materac i ułóż go na wózku. Upewnij się, że wszystkie podpórki boczne wózka są podniesione i zablokowane.



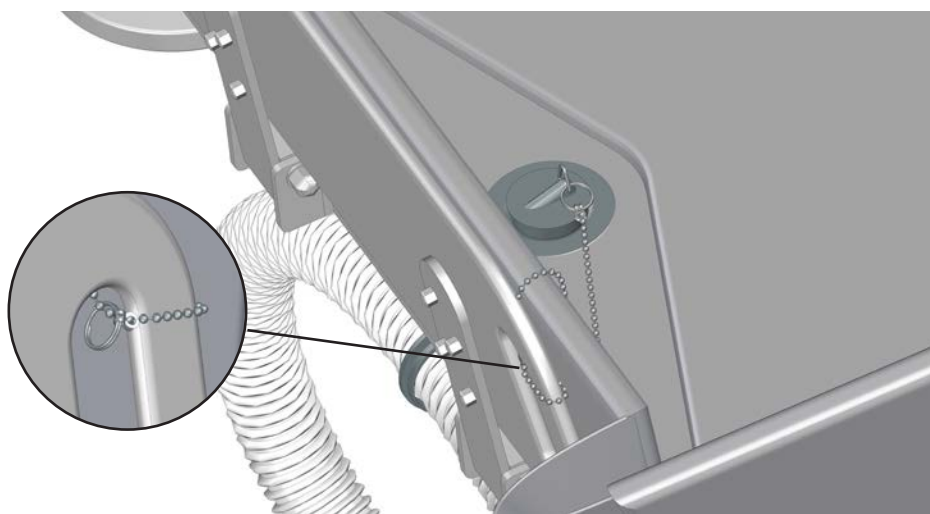
Zestaw materaca kąpielowego zawiera instrukcję podłączania węża spustowego. Można ją także pobrać ze strony [pressalit.com](http://pressalit.com).

## WAŻNE

- Okresowo sprawdzaj, czy materac nie został uszkodzony. Zapobiegnie to jego zakażeniu lub zanieczyszczeniu.
- Do obsługi węża odprowadzającego wodę z materaca nakładaj rękawice. Niekiedy wąż ma kontakt z ludzkimi odchodami.



Zwiń wąż i powieś go na specjalnym wieszaku.



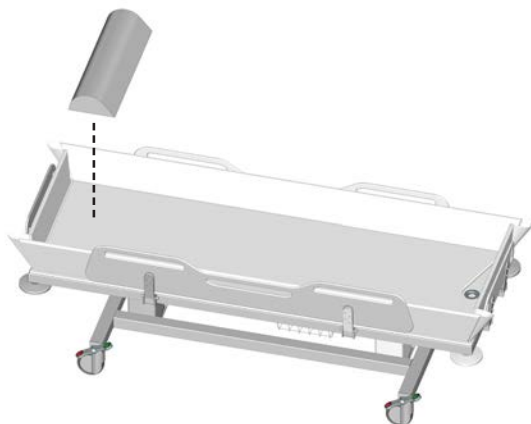
Przymocuj jedno z kółek łańcuszka do korka. Kółkiem na drugim końcu zrób pętlę wokół jednego z uchwytów podpórki w nogach wózka.

## **WAŻNE**

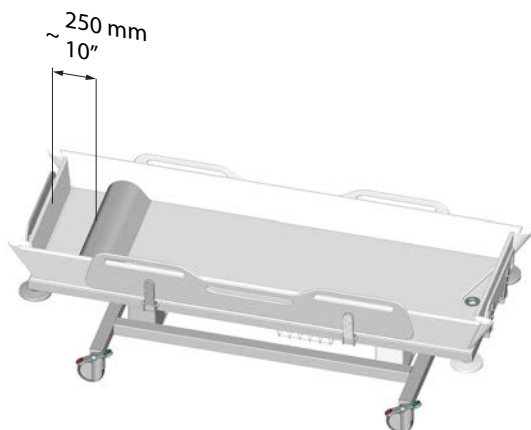
Nie przemieszczaj wózka, gdy na materacu kąpielowym jest woda.

## Podglówek

Materac kąpielowy można stosować z opcjonalnym podglówkiem, aby zapewnić pacjentowi najwyższą wygodę (R844521).



Umieść podglówek na przednim końcu wózka kąpielowego, ok. 250 mm (10") od wezłowia.



Materac i podglówek należy czyścić gorącą wodą lub łagodnym rodkiem czyszczącym na bazie mydła. List odpowiednich rodków czyszczących/dezynfekujących przetestowanych przez Pressalit można znaleźć na stronie [pressalit.com](http://pressalit.com)

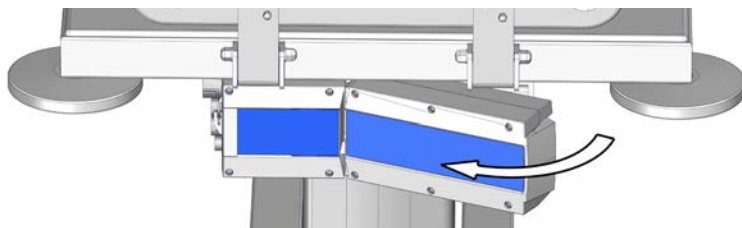
pl

**WAŻNE**

Okresowo sprawdzaj, czy podglówek nie został uszkodzony. Zapobiegnie to jego zakażeniu lub zanieczyszczeniu.

# Czyszczenie

Przed czyszczeniem wózka zdemontuj akumulator.



Wyrób należy czyścić gorącą wodą lub łagodnym środkiem czyszczącym na bazie mydła.

Listę odpowiednich środków czyszczących przetestowanych przez Pressalit można znaleźć [pressalit.com](http://pressalit.com)

## **UWAGA**

Zawsze należy najpierw zapoznać się z kartą charakterystyki materiału oraz instrukcjami dołączonymi do środka czyszczącego, dezynfekującego lub odkamieniającego oraz postępować zgodnie z instrukcjami bezpiecznego stosowania, rozcieńczania, spłukiwania, suszenia, obchodzenia się ze środkiem i jego przechowywania.

## **WAŻNE**

- Nie wolno używać autoklawów lub innych rodzajów czyszczenia parowego.
- Należy unikać stosowania zbyt silnych środków czyszczących zawierających kwasy.
- Nie wolno bezpośrednio spryskiwać wyrobu środkiem czyszczącym pod ciśnieniem.
- Do dezynfekcji powierzchni można używać środków na bazie chloru, zgodnie ze specyfikacją i zaleceniami dotyczącymi bezpieczeństwa stosowania tych środków.

## **UWAGA**

Nie czyść ani nie dezynfekuj wózka w żaden sposób, gdy leży na nim pacjent.

# Kompatybilność elektromagnetyczna



## OSTRZEŻENIE

- Stosowanie akcesoriów, przetworników oraz kabli innych niż określone lub dostarczone przez producenta może prowadzić do zwiększenia emisji elektromagnetycznych lub zmniejszenia odporności elektromagnetycznej sprzętu i spowodować nieprawidłowe działanie.
- Przenośny sprzęt do komunikacji radiowej (w tym urządzenia peryferyjne takie jak kable antenowe i anteny zewnętrzne) powinien być używany w odległości co najmniej 30 cm od dowolnej części urządzenia, w tym jego kabli, aby zapobiec pogorszeniu jego działania.
- Należy unikać używania tego urządzenia w pobliżu innego sprzętu bądź ustawionego na innym sprzęcie, gdyż może to spowodować nieprawidłowe działanie. Jeśli jednak konieczne jest używanie urządzenia w takiej konfiguracji, należy obserwować urządzenie i pozostały sprzęt, aby upewnić się, że działają prawidłowo.

## Emisje elektromagnetyczne

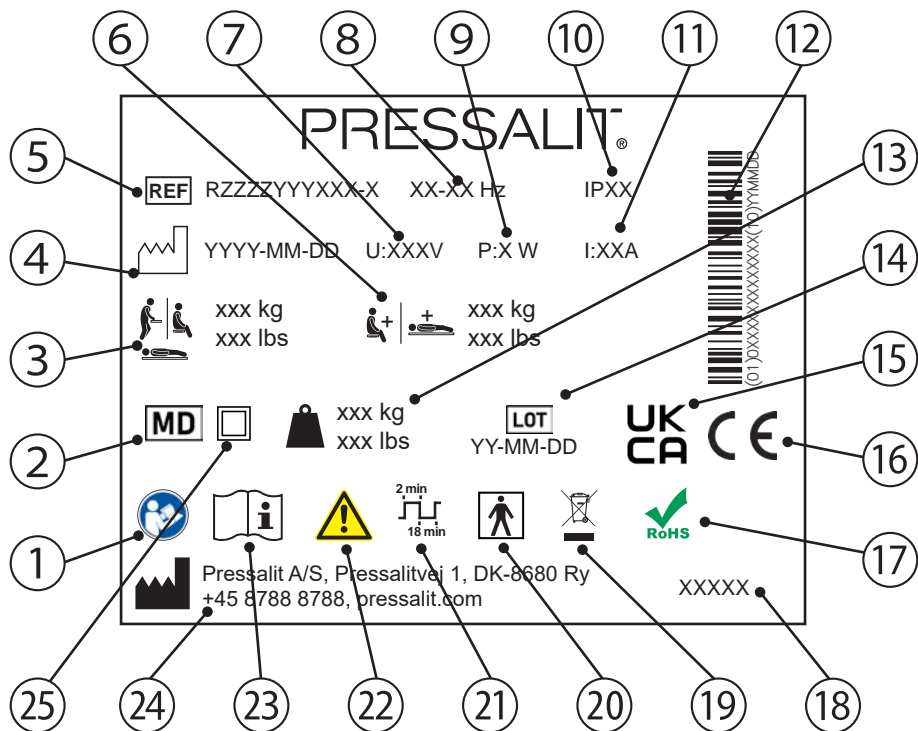
Norma testowa	Poziom / szczegóły testu	Wyniki testu
60601-1-2 rozdz. 7.1.7 - CISPR 14	30 MHz – 1 GHz	Zaliczony

## Odporność elektromagnetyczna

Norma testowa	Poziom zgodności	Poziom / szczegóły testu	Wyniki testu
EN60601-1-2 i EN17966 (Domowa opieka nad pacjentem)	=> 10 V/m 2,7 GHz	15 V/m Zakres częstotliwości: od 80 MHz do 6 GHz Co 1%	Zaliczony
EN60601-1-2 (Pola zakresu bliskiego z urządzeń radiowych do komunikacji bezprzewodowej)	=> 10 V/m 2,7 GHz	15 V/m Zakres częstotliwości: od 385 MHz do 5785 MHz	Zaliczony
IEC 61000-4-4 (Szybkochwytne elektryczne zakłócenia przejściowe)		Symulacja impulsów szybkich	Zaliczony
Zakłócenia przewodzone wzbudzone przez częstotliwości radiowe	Impuls test, 6 V	Impuls test, 10 V	Zaliczony
Wyładowania elektrostatyczne		Wyładowanie na urządzeniu wyzwolone przez osobę naładowaną ładunkiem statycznym, 8 kV i 15 kV	Zaliczony (*)

\* Jeśli osoba naładowana ładunkiem statycznym rozładowuje się w pobliżu skrzynki sterowniczej wózka, może wystąpić błąd w działaniu kolumn podnoszących i należy je zresetować. Patrz sekcja „**Resetowanie**”.

# Etykieta wyrobu



1 Zapoznaj się z instrukcją obsługi

2 Urządzenie medyczne

3 Maksymalna masa użytkownika

4 Data produkcji

5 Numer artykułu

6 Maksymalne obciążenie

7 Napięcie sieciowe

8 Częstotliwość

9 Maksymalny pobór mocy



⑩ Klasa IP

---

⑪ Prąd elektryczny

---

⑫ Kod kreskowy GS1-128

---

⑬ Waga wyrobu

---

⑭ Kod partii

---

⑮ Zgodność z przepisami obowiązującymi w Wielkiej Brytanii

---

Te produkty są opatrzone znakiem CE zgodnie z odnośnymi wymaganiami w następujących dokumentach:

- Rozporządzenie (UE) 2017/745 (5 kwietnia 2017) o wyrobach medycznych.

⑯

- Dyrektywa maszynowa 2006/42/WE (17 maja 2006).

- Dyrektywa maszynowa RoHS 2011/65/WE (8 czerwca 2011).

Deklarację zgodności można znaleźć na stronie [pressalit.com](http://pressalit.com).

---

⑰

Ten produkt nie zawiera żadnych substancji niebezpiecznych wymienionych w dyrektywie Rady 2011/65/WE w sprawie ograniczenia stosowania niektórych niebezpiecznych substancji w sprzęcie elektrycznym i elektronicznym.

---

⑱

Nazwa produktu (jeśli ją posiada)

---

⑲

Nie wyrzucać do zmieszanych odpadów komunalnych. Produkt należy zebrać osobno i oddać do odpowiedniego punktu recyklingu.

⑳

Część typu BF. Podczas normalnego użytkowania część produktu musi mieć fizyczny kontakt z pacjentem, aby spełnić swoją funkcję. Produkt spełnia wymagania normy IEC 60601-1 w zakresie ochrony przed porażeniem prądem elektrycznym

---

㉑

Cykl pracy

---

㉒

Zapoznaj się z instrukcją obsługi, aby zapamiętać ważne informacje dotyczące bezpieczeństwa i środków ostrożności

---

㉓

Zapoznaj się z instrukcją obsługi

---

㉔

Nazwa i adres producenta

---

㉕

Urządzenie elektryczne z podwójną izolacją

---

## Przechowywanie i transport

- Temperatura transportu i przechowywania urządzenia musi pozostawać w zakresie od 5 do 40 st. Celsjusza.
- Urządzenie należy zawsze transportować w oryginalnym opakowaniu.
- Unikaj narażania opakowania na wstrząsy i uderzenia.
- Nie używaj wyrobu, jeżeli opakowanie jest uszkodzone.

## Rozwiązywanie problemów

Objaw	Przyczyna	Działanie
Brak mocy.	Rozładowany akumulator.	Naładuj akumulator. Patrz sekcja „ <b>Ładowanie akumulatora</b> ”.
Brak mocy.	Akumulator w trybie czuwania.	Umieść akumulator w ładowarce na około 15 sekund. Patrz sekcja „ <b>Ładowanie akumulatora</b> ”.
Wózek jest przechylony, choć nie włączono funkcji przechyłu.	Kolumny podnoszące nie są zsynchronizowane.	Zresetuj kolumny podnoszące. Patrz sekcja „ <b>Resetowanie</b> ”.
Wózka nie można podnieść ani opuścić.	Jeśli osoba naładowana ładunkiem statycznym rozładowuje się w pobliżu skrzynki sterowniczej wózka, może wystąpić błąd w działaniu kolumn podnoszących.	Zresetuj kolumny podnoszące. Patrz sekcja „ <b>Resetowanie</b> ”.

Jeśli problemu nie można rozwiązać, należy skontaktować się z firmą Pressalit A/S lub swoim lokalnym dystrybutorem. Nie próbuj naprawiać urządzenia samodzielnie, ponieważ spowoduje to nieważnienie gwarancji.

## Utylizacja i recykling

Wyrób zawiera materiały, które można poddawać recyklingowi. Nie istnieją znane zagrożenia lub ryzyka związane z usuwaniem wyrobu. Wszystkie komponenty można utylizować po ich uprzednim wyczyszczeniu i zdezynfekowaniu.

W przypadku usuwania wyrobu zalecamy rozmontowanie go i podzielenie odpadów na grupy do recyklingu lub spalenia.

Poniższa tabela zawiera informacje dotyczące recyklingu i postępowania z wyrobem.

Komponenty, które można poddać recyklingowi	Materiał
Stal	Stal można ponownie wykorzystać, przetapiając ją i dodając jako surowiec uzupełniający w produkcji nowej stali.
Tworzywa sztuczne	Należy stosować systemy sortowania i recyklingu tworzyw sztucznych tam, gdzie jest to lokalnie możliwe, w innym przypadku spalanie tworzyw sztucznych niesie dodatkową korzyść w postaci energii, którą można wykorzystać na przykład do skojarzonego wytwarzania energii elektrycznej i ciepła.
Elektronika	Części elektroniczne powinny być gromadzone oddzielnie i oddawane do wyznaczonych zakładów recyklingu.
Akumulatory	Akumulatory należy utylizować zgodnie z przepisami miejscowymi.

# 目录

本手册使用的标志.....	237
一般安全要求.....	239
安全距离.....	240
用途.....	242
操作员说明.....	242
使用者说明.....	242
工作环境.....	242
禁忌症.....	242
生物相容性.....	243
操作说明.....	244
安全刹车.....	244
移动.....	245
侧边挡板.....	246
高度调整.....	247
倾斜功能.....	248
重置.....	248
给电池充电.....	249
配件.....	251
沐浴垫.....	251
头靠.....	253
清洁.....	254
电磁兼容性.....	255
电磁辐射.....	255
电磁抗扰性.....	256
产品标签.....	257
储存和运输.....	259
故障排解.....	259
处理与回收.....	260

# 本手册使用的标志

本手册和本产品随附的相关文件使用以下标志。



**警告**提醒使用者注意潜在危险状况，如果未能避开这种状况，可能导致人员死亡或严重伤害。



**小心**提醒使用者注意潜在危险状况，如果未能避开这种状况，可能导致轻度或中度伤害。该标志也可用于提醒不安全行为。



**重要信息**提醒使用者注意操作和使用本产品的重要信息。



**注意**用于提醒与人身安全无关的行为。



头部受伤警告



手部受伤警告



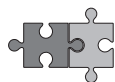
生殖器受伤警告



脚部受伤警告



患者一定要有人陪同。



兼容产品



备用件



最大使用者体重



货号/版本



产品重量



电气数据

# 一般安全要求

## 警告

- 使用前，请通读并理解本手册。将手册存放在设备附近。
- 按照本手册操作，避免发生造成严重人身伤害的意外。
- 使用或操作本产品时，切勿采用本手册并未介绍的其他方式，因为这会危及您的安全并损坏产品。
- 确保安装或使用本产品及其系统的人员均掌握必要信息并可查阅本手册。

## 小心

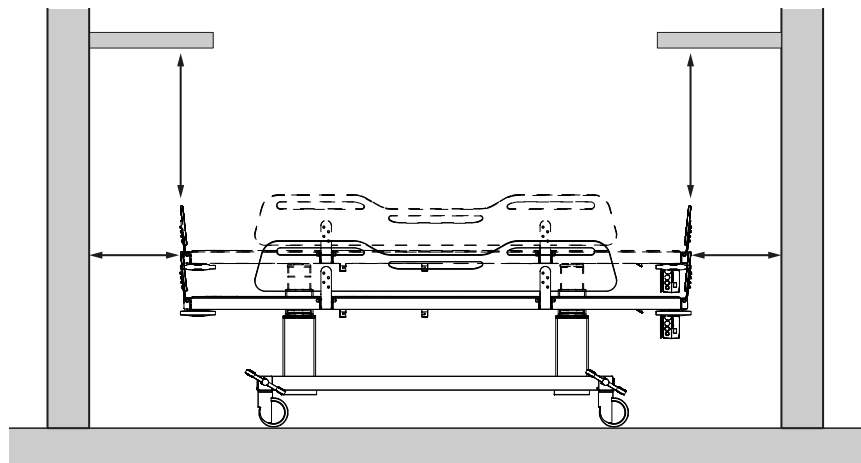
- 请遵守相关说明，避免产品受损或损毁。
- 切勿维修、拆卸或组装、扩展、重新调整或改装本产品。这些操作必须由 Pressalit 或 Pressalit 授权的人士执行。
- 若无人看管，请不要让儿童操作本产品。本产品不适用于娱乐游戏。
- 产品如有缺陷或损坏，切勿使用。缺陷产品待修理后方可使用。






## 注意

- 本手册资料以按照组装说明正确安装本产品为基础。
- 如果以指南所述以外的方法使用本产品，Pressalit 概不负责。
- 我们保留修订本手册的权利，恕不另行通知。

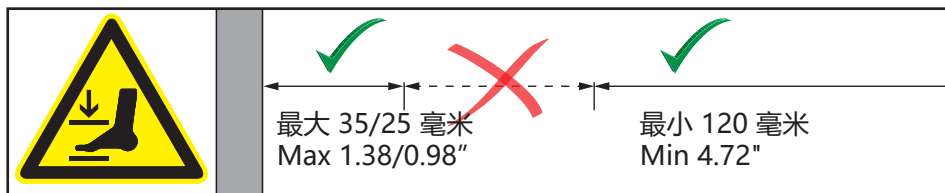
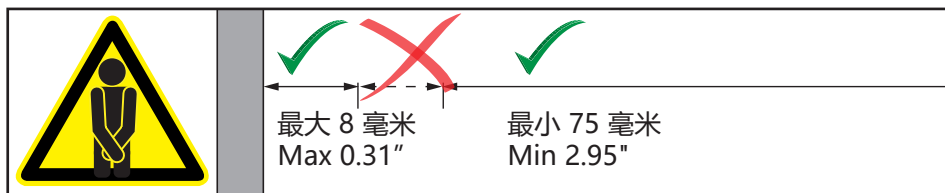
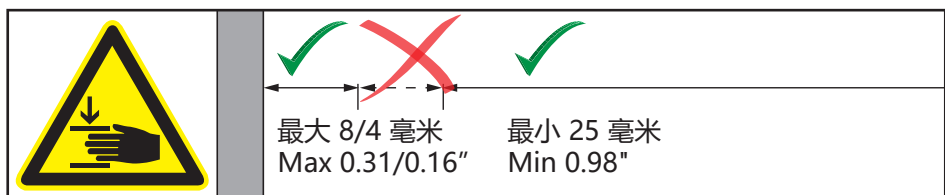
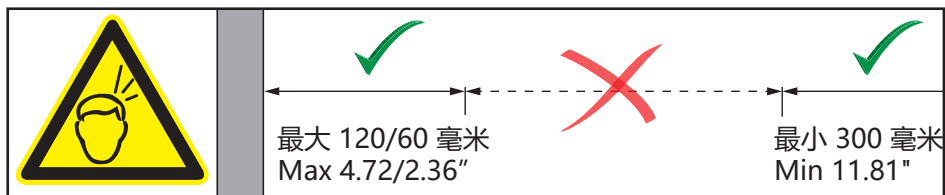
# 安全距离

请确保装置与周围物体保持安全距离。使用前请检查距离是否安全。



ISO 17966:2016		
	最大 120 毫米 最小 300 毫米	最大 60 毫米 最小 300 毫米
	最大 8 毫米 最小 25 毫米	最大 4 毫米 最小 25 毫米
	最大 8 毫米 最小 75 毫米	最大 8 毫米 最小 75 毫米
	最大 35 毫米 最小 120 毫米	最大 25 毫米 最小 120 毫米





**警告**

如果装置在安全距离内移动，请密切关注周围的人和物体，以避免挤压危险。

# 用途

本产品用于为无法站立或坐起的人士洗澡。使用者可平躺在沐浴床上。

## 操作员说明

本产品由接受过健康护理培训，并经过训练可为他人进行洗澡护理的人员操作。

## 使用者说明

本产品可供体重不超过**最大荷载 200 公斤**的所有人群使用，包括成人、儿童、年青人、老人。

## 工作环境

在室内潮湿环境中使用，如浴室或盥洗室。本产品在室温下使用，可在公共换洗室、学校、私人住所、疗养院和医院的正常工作条件下使用。

## 禁忌症

不建议孕妇在沐浴床上洗澡。



如果产品暴露的外部环境过热或者过冷（例如阳光或者霜冻下），产品表面可能会变得灼热/或冰冷。

**注意**

任何与本产品有关的严重事故都应报告给制造商和卫生主管部门。

不建议携带输注装置或胰岛素泵的患者、患有炎症性皮肤病的患者或伴有发烧症状的患者在沐浴床上洗澡。

患有心功能不全、心血管疾病、颅脑损伤的患者或者带有开放性伤口、喂食或引流管（如导尿管、引流管）的患者只有在与主治医生协商后才能在沐浴床上洗澡。

本产品的最大承重为 200 公斤。

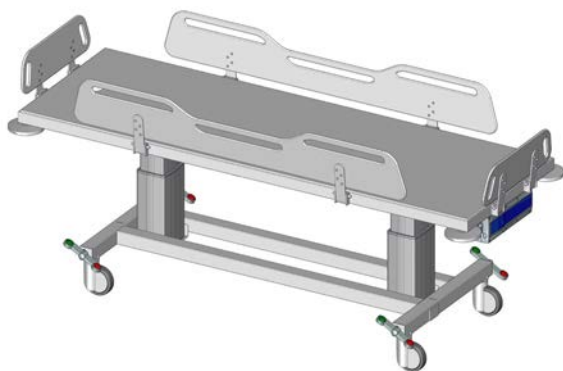
## 生物相容性

对于可能在换洗过程中与患者或用户皮肤发生接触的材料，我们已根据 ISO 10993 生物相容性要求测试其有害物质含量，并认定其适用于此目的。

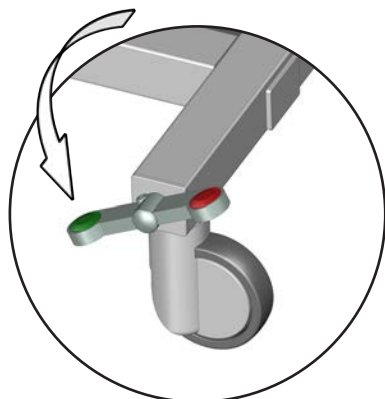
# 操作说明

## 安全刹车

沐浴床的四个脚轮上均配有安全刹车，用于防止沐浴床意外移动。



**锁定刹车：** 踩下四个摇杆踏板中任意一个上的红色按钮，即可将四个车轮的刹车全部锁定。

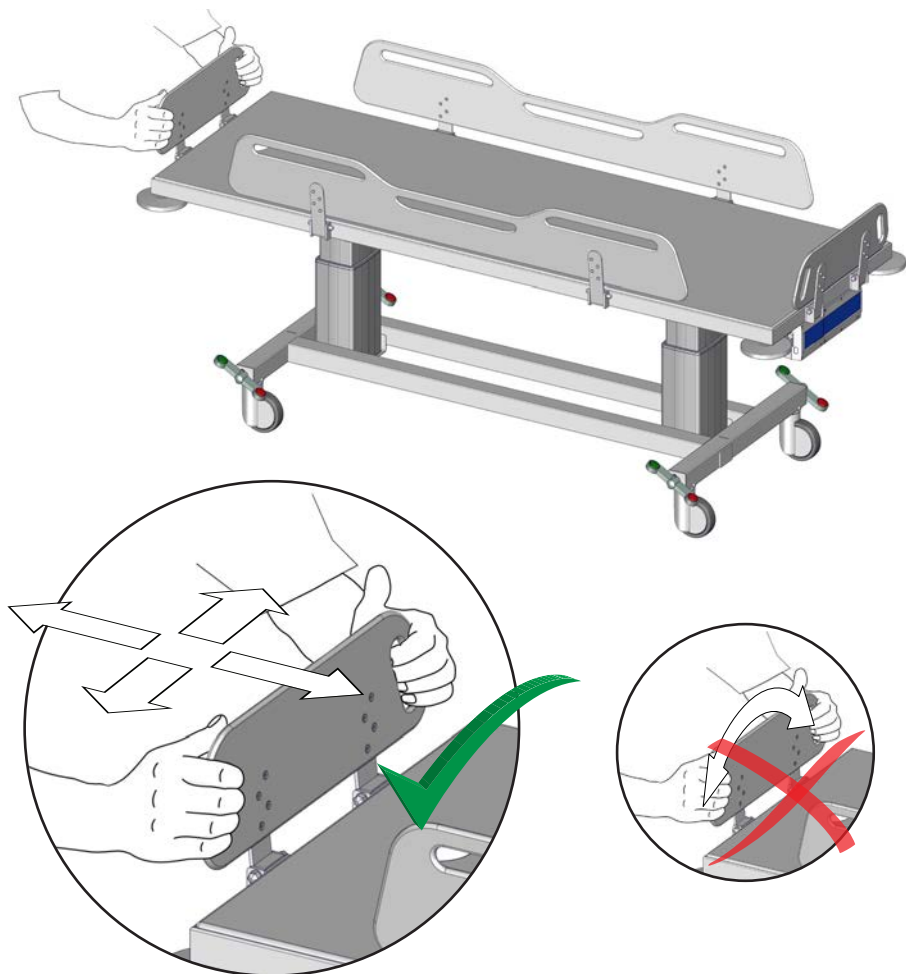


**解锁刹车：** 踩下四个摇杆踏板中任意一个上的绿色按钮，即可将四个车轮的刹车全部解锁。



在将患者转移到沐浴床上和从床上移下时，请务必确保刹车已锁定。

## 移动



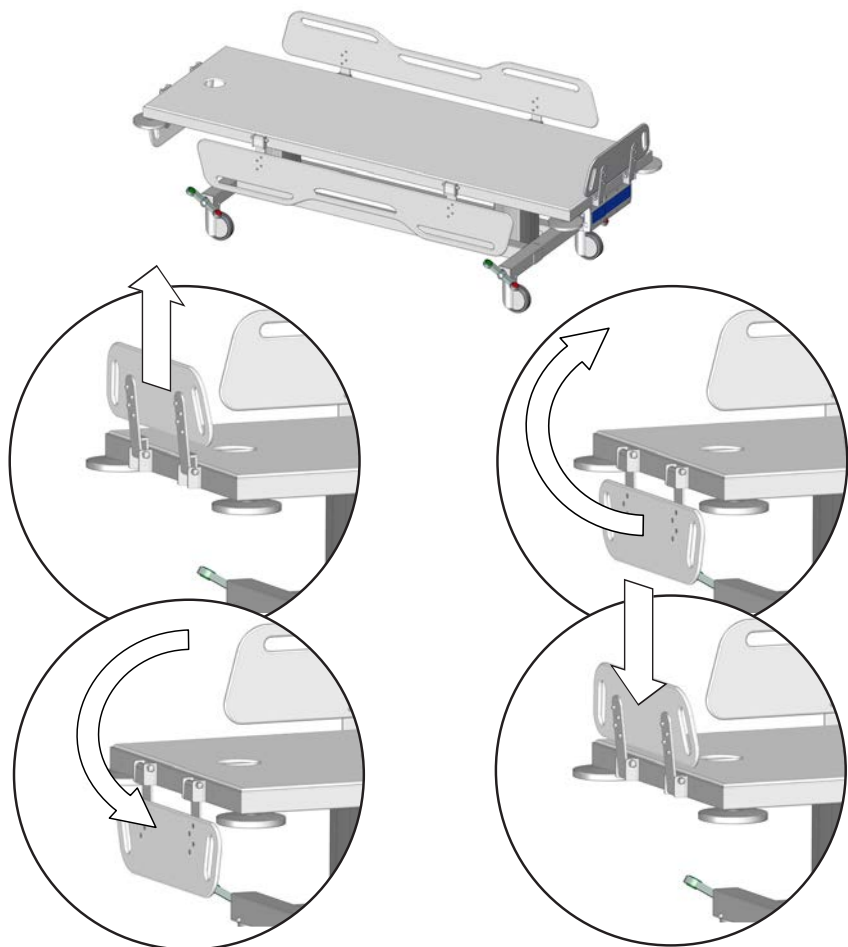
移动沐浴床时，使用侧边挡板上的内凹握手。朝着所需方向沿直线向前推动。切勿扭转或转动侧边挡板。



患者一定要有人陪同。

## 侧边挡板

侧边挡板可上下折叠，方便转移患者。端头挡板也可上下折叠，方便接触患者的脚/腿（如穿袜子时）。



**向下折叠：**向上抬起侧边挡板将其解锁，然后向下摆动。

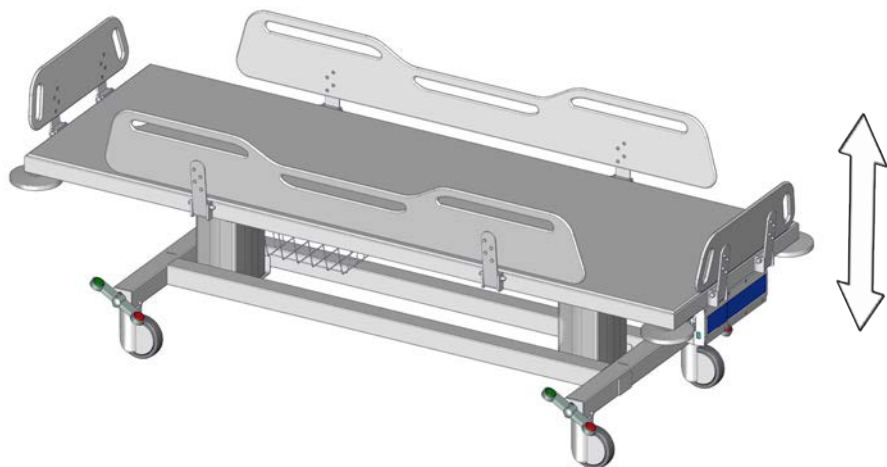
**向上折叠：**向上摆动侧边挡板，然后向下推动将其锁定到位。



**警告**

使用转运床时，请确保竖起所有侧边挡板并锁定到位，以防止患者从装置上掉下来。

## 高度调整



沐浴床可以上下调节 400 毫米。

**最大使用者体重：200 公斤**

**最大荷载：250 公斤**

高度调整由有线遥控装置控制。



按住向上按钮可升高装置。  
在松开按钮时停止移动。



按住向下按钮可降低装置。在松开按钮时停止移动。



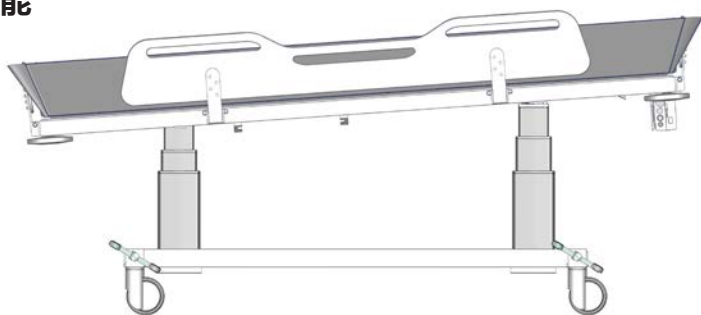
为避免被线缆勒住，有线遥控装置在不使用时务必放置于支架中。



小心不要将手脚和头部放在活动机械部件附近，以免受伤。

中文

## 倾斜功能



沐浴床可以倾斜约 3 度，以便在使用选配的沐浴垫时进行排水。

倾斜功能由有线遥控装置控制。



按住向上倾斜按钮可倾斜装置。当装置倾斜约 3 度或松开向上倾斜按钮时，将停止运动。



按住向下倾斜按钮可调平装置。当装置处于水平位置或松开向下倾斜按钮时，将停止运动。

当处于倾斜位置时，还可以升高和降低装置。

## 重置

如果倾斜功能未正常工作，或两个升降柱不同步，请尝试重置升降系统。



同时按住向上按钮和向下按钮。

数秒后，升降柱将向下移动，同时发出蜂鸣音。



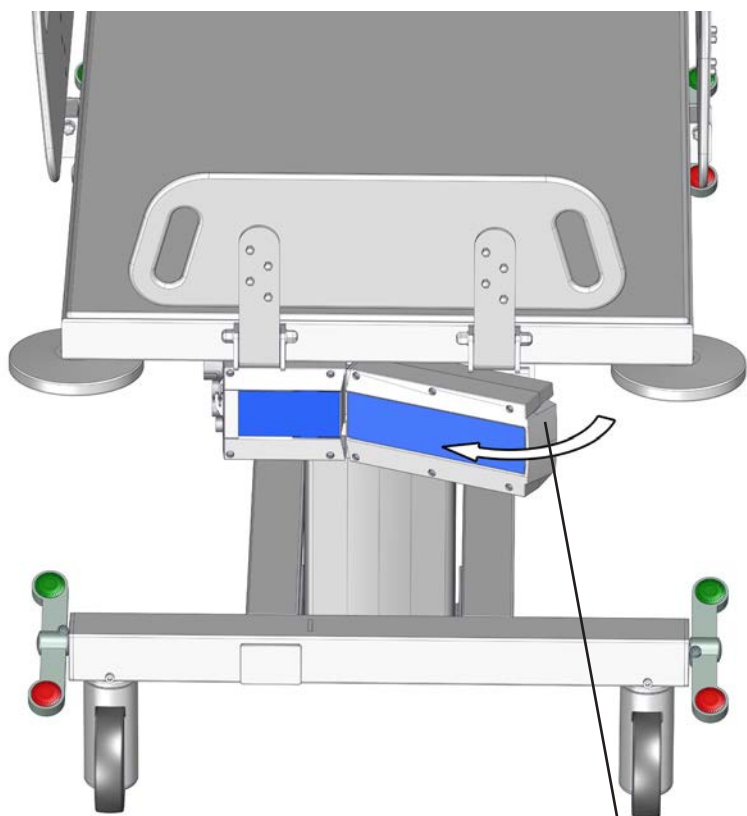
继续按住这两个按钮，直到蜂鸣音消失。

升降柱现已重置。

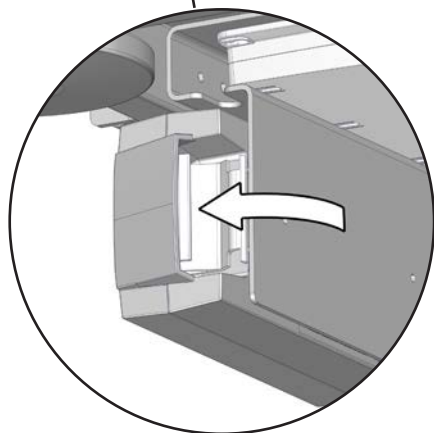


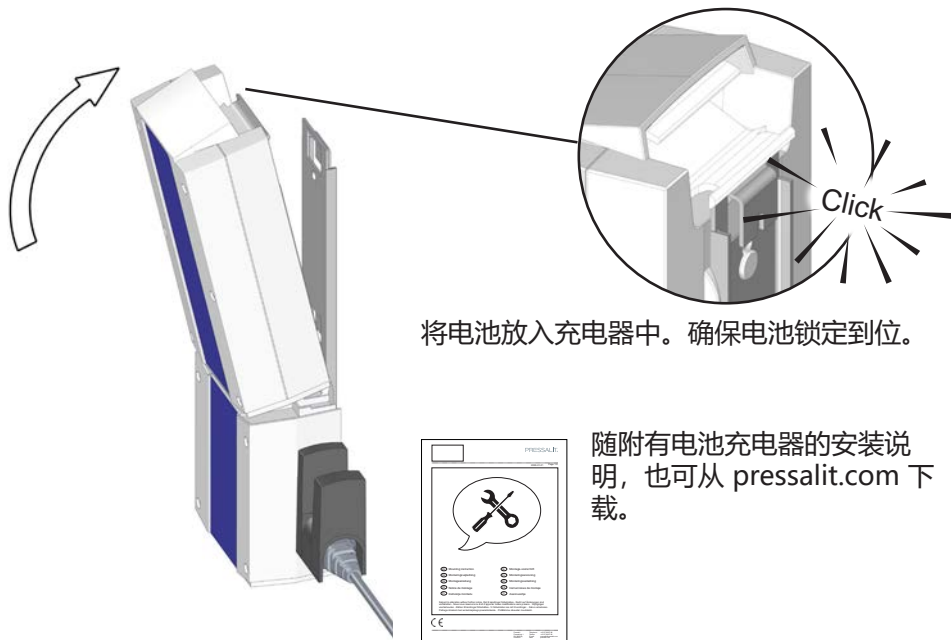
## 给电池充电

电池充满电时，可调整沐浴床的高度最多 30 次。  
松开锁扣，取出电池进行充电。



充好电后装回电池，再让患者躺到沐浴床上。





将电池放入充电器中。确保电池锁定到位。

随附有电池充电器的安装说明，也可从 [pressalit.com](http://pressalit.com) 下载。

## ⚠️ 小心

遥控装置的电池电量不足时，操作时将会发出蜂鸣音。尽管此时的电力仍然足够升高或降低装置，但请务必立即为其充电或更换电池。否则倾斜功能将很快停止工作。

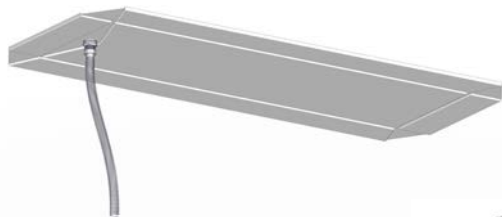
## 重要信息

如果电池超过一周未使用，就会进入待机模式，以节省电量，保护电池。使用前将电池放入充电器中约 15 秒，以退出待机模式。  
请注意，没有音频信号来指示待机模式或指示退出待机模式。如果退出待机模式后还是没有电，则需要给电池充电。每 6 个月必须给电池充一次电。

# 配件

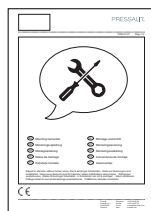
## 沐浴垫

使用选配的沐浴垫时，沐浴床可用作浴缸（R844721 和 R844717）。



请根据随附的安装说明，将排水管连接到沐浴垫的排水口上。

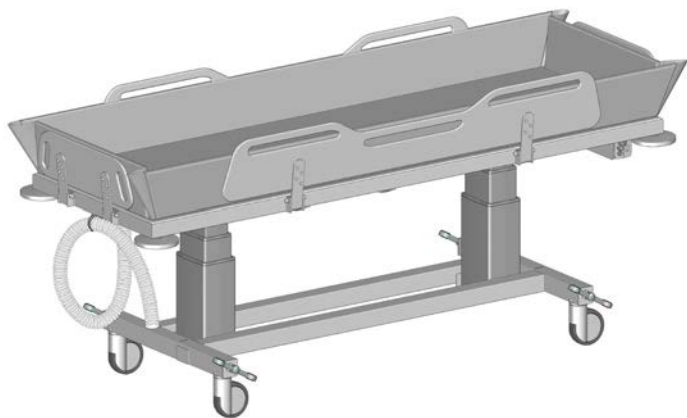
将排水管穿过沐浴床的排水孔，折叠沐浴垫并将其放在床上。确保沐浴床上的四个侧边挡板均已竖起并锁定。



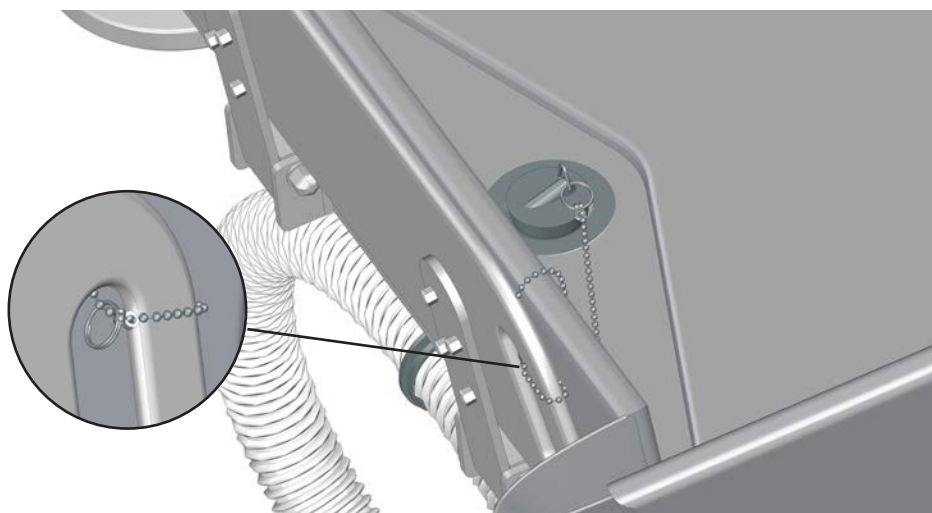
排水管连接说明随附在沐浴垫包装中，也可从 [pressalit.com](http://pressalit.com) 下载。

## 重要信息

- 定期检查垫子是否有损坏迹象。这有助于防止垫子发生感染。
- 处理沐浴垫的排水管时请佩戴手套。排水管可能已接触患者的排泄物。



将排水管卷起来，挂到挂钩上。



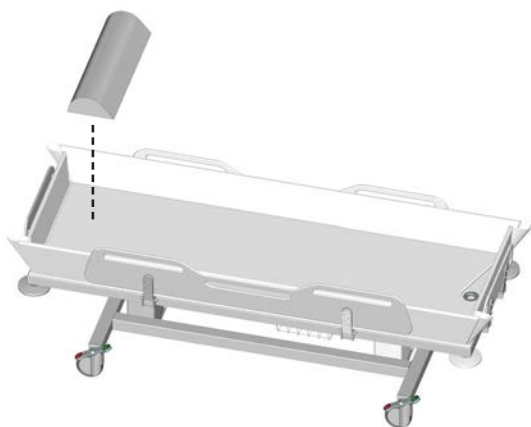
将链条上的一个圆环装到塞子上。用另一个圆环在其中一个床尾板把手上绕一圈固定住。

## 重要信息

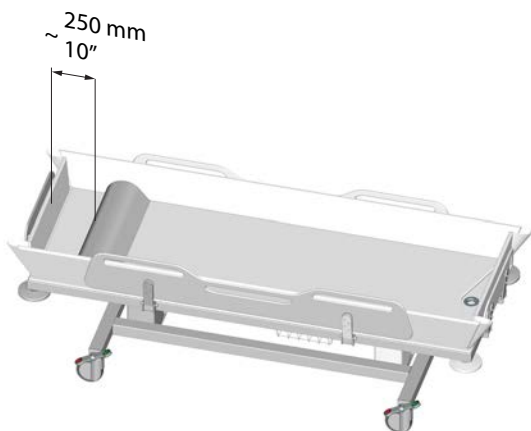
当沐浴垫中有水时，切勿移动沐浴床。

## 头靠

沐浴垫可选配头靠以提高舒适性 (R844521)。



将头靠安装在沐浴床的头端，置于距离床头板约 250 毫米处。



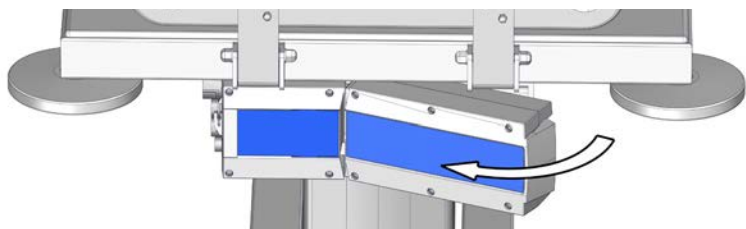
应使用热水或温和的肥皂清洁剂来清洁沐浴垫和头靠。如需查阅经 Pressalit 测试的适用清洁剂/消毒剂列表，请访问 [Pressalit.com](http://Pressalit.com) 网站。

### 重要信息

定期检查头靠是否有损坏迹象。这有助于防止头靠发生感染。

# 清洁

在清洁沐浴床之前应取出电池。



应使用热水或温和的肥皂清洁剂来清洁本产品。  
可在 [pressalit.com](http://pressalit.com) 网站查看经 Pressalit 测试的相关清洁剂列表。

## ⚠️ 小心

务必阅读材料安全数据表 (MSDS) 和随附的清洁、消毒或除垢剂说明，并按照说明安全使用、稀释、冲洗、干燥、处理和储存溶剂。

## 重要信息

- 切勿使用高压灭菌器或其他类型的蒸汽清洁器。
- 避免使用含酸的强力清洁剂。
- 切勿使用高压清洁器直接喷洗本产品。
- 根据产品规格和这些产品的安全预防措施，可使用含氯消毒剂进行表面消毒。

## ⚠️ 小心

当患者躺在沐浴床上时，请勿执行任何类型的清洁和消毒操作。

# 电磁兼容性

## 警告

- 使用非制造商指定或提供的附件、换能器和电缆可能会导致此设备的电磁辐射增加或电磁抗扰度降低，并导致功能不正常。
- 使用便携式射频通信设备（包括天线电缆和外置天线等外部设备）时，距该设备的任何部分（包括其电缆）不得超过 30 厘米，以避免本设备的性能下降。
- 不应将本设备与其他设备相邻使用或与其他设备叠放使用，因为这可能导致操作不当。如果必须进行此类使用，则应观察该设备和其他设备以查看它们是否正常运行。

## 电磁辐射

测试标准	测试级别/详情	测试结果
60601-1-2 ch. 7.1.7 - CISPR 14	30MHz - 1GHz	通过

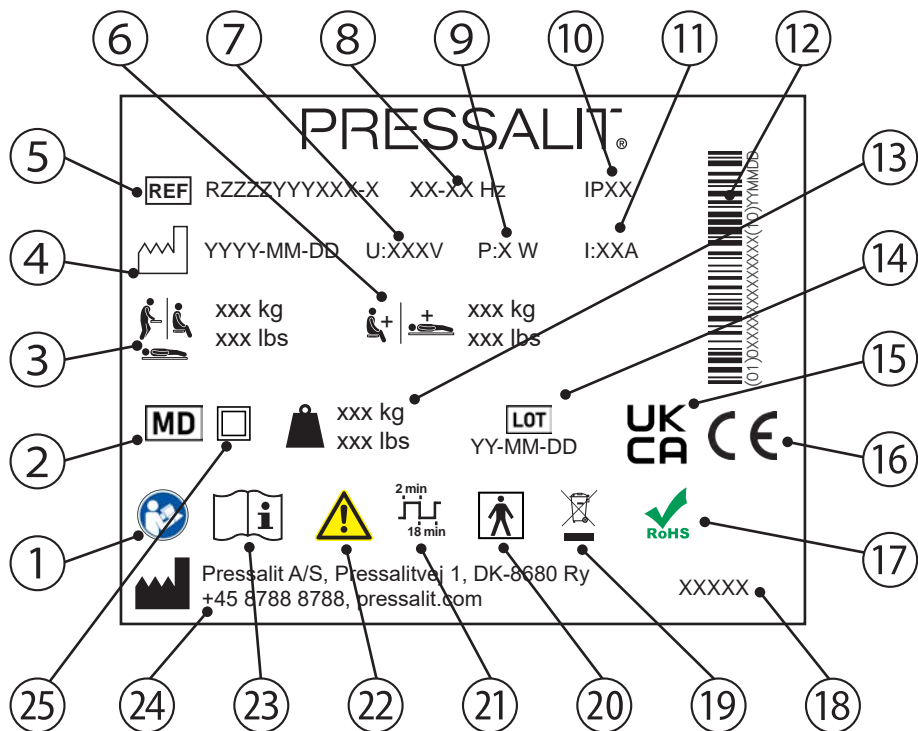
## 电磁抗扰性

测试标准	合规性级别	测试级别/详情	测试结果
EN60601-1-2 和 EN17966 (家庭卫生保健 环境)	=> 10V/m 2.7GHz	15V/m 频率范围: 80MHz - 6GHz 1% 步长	通过
EN60601-1-2 (RF 无线通信设 备的邻近场)	=> 10V/m 2.7GHz	15V/m 频率范围: 385 - 5785 MHz	通过
IEC 61000-4-4 (电快速瞬变/脉 冲群)		快速脉冲模拟	通过
RF 引起的传导 干扰	脉冲屈服, 6V	脉冲屈服, 10V	通过
静电 放电		身体带静电的人对装 置释放静电, 8kV 和 15kV	通过 (*)

\* 如果身体带静电的人在沐浴床控制箱上或附近释放静电, 升降柱可能会出现故障, 从而必须进行重置。请参阅“重置”。



# 产品标签



① 请参考使用手册

② 医疗器械

③ 最大使用者体重

④ 生产日期

⑤ 货号

⑥ 最大荷载

⑦ 电源电压

⑧ 频率

⑨ 最大功耗

⑩ IP 等级

---

⑪ 电流

---

⑫ GS1-128 条形码

---

⑬ 产品重量

---

⑭ 批次代码

---

⑮ 英国合格认定 (UK Conformity Assessed)

---

本产品根据以下相关要求加贴 CE 标志:

- 欧洲医疗器械法规 2017/745 (2017 年 4 月 5 日)

⑯ • 欧盟机械指令 2006/42/EC (2006 年 5 月 17 日)

- 欧盟 RoHS 指令 2011/65/EC (2011 年 6 月 8 日)

如需符合性声明, 请访问 [pressalit.com](http://pressalit.com)

---

⑰ 本产品不含欧盟 RoHS 指令 2011/65/EC 规定的任何有害物质。

---

⑱ 产品名称 (如果有)

---

⑲ 请勿按未分类生活垃圾处理。本产品应被单独收集, 然后送至指定的回收服务点。

---

⑳ BF 类应用部件。产品部件在正常使用时需要与患者有身体接触, 方可执行其功能。本产品符合 IEC 60601-1 要求, 有防电击保护功能

---

㉑ 占空比

---

㉒ 请查阅手册, 了解警告和注意事项等重要警示信息

---

㉓ 请参考使用手册

---

㉔ 生产商名称和地址

---

㉕ 双绝缘电器

---

## 储存和运输

- 装置的储存和运输温度必须介于 5 到 40 摄氏度之间。
- 始终利用原始包装运输装置。
- 避免包装遭受撞击。
- 如果包装损坏，请勿使用产品。

## 故障排解

现象	原因	操作
没电。	电池已耗尽。	对电池进行充电。 请参阅“给电池充电”。
没电。	电池处于待机模式。	将电池放入充电器中约 15 秒。 请参阅“给电池充电”。
即使未激活倾斜功能，沐浴床也是歪的。	升降柱不同步。	重置升降柱。请参阅“重置”。
无法升高或降低沐浴床。	如果身体带静电的人在沐浴床控制箱附近释放静电，升降柱可能会出现故障。	重置升降柱。请参阅“重置”。

如果仍无法解决问题，请联系 Pressalit A/S 或您当地的经销商。切勿尝试自行维修产品，因为这会导致保修失效。

沐浴床的预期使用寿命为 10 年。

# 处理与回收

装置中含有可重复使用的材料。处理产品并不存在已知危险或风险。所有组件在清洁和消毒后方可丢弃。

处理产品时，建议按照不同的垃圾种类将产品进行拆卸和分解，再回收或烧毁。

下表提供关于回收和处理产品的资料。

可回收组件	材料
钢	钢可在熔化后循环再用，并用作新钢生产的二次材料。
塑料	如果当地有塑料分类回收系统，应妥善使用。如果没有，焚烧塑料也具有产生能源的额外优点，例如可用于热电联产等用途。
电子组件	电子组件应单独收集，然后送至指定的回收服务点。
电池	必须根据当地法规处置电池。

## المحتوى

188	الرموز المستخدمة في هذا الدليل
190	السلامة العامة
191	مسافات السلامة
193	الغرض من الاستخدام
193	مواصفات المشغل المعني
193	مواصفات المستخدم المعني
193	بيئة التشغيل
194	موانع الاستخدام
194	التوافق الحيوي
195	إرشادات التشغيل
195	فرامل الأمان
196	الحركة
197	مساند جانبية
198	ضبط الارتفاع
199	إعادة الضبط
199	وظيفة الإمالة
200	شحن البطارية
202	الملحقات
202	مرتبة الاستحمام
204	مسند الرأس
205	التنظيف
206	التوافق الكهرومغناطيسي
206	الانبعاثات الكهرومغناطيسية
207	الحصانة الكهرومغناطيسية
208	ملصق تعريف المنتج
210	استكشاف المشكلات وإصلاحها
210	التخزين والنقل
211	التخلص من المنتج وإعادة تدويره

## الرموز المستخدمة في هذا الدليل

تُستخدم الرموز التالية في هذا الدليل وكذلك في الوثائق ذات الصلة المرفقة مع المنتج.

**تحذير** 

يشير الرمز **تحذير** إلى موقف ينطوي على خطورة محتملة وقد يؤدي إلى الوفاة أو التعرض لإصابة خطيرة في حالة عدم تلافيه.

**تنبيه** 

يشير الرمز **تنبيه** إلى موقف ينطوي على خطورة محتملة وقد يؤدي إلى التعرض لإصابة طفيفة أو متوسطة في حالة عدم تلافيه. قد يُستخدم هذا الرمز أيضاً للتحذير من الممارسات غير الآمنة.

**معلومات مهمة**

يشير الرمز **معلومات مهمة** إلى معلومات مهمة بخصوص التعامل مع المنتج واستخدامه.

**ملاحظة**

يُستخدم الرمز **ملاحظة** للإشارة إلى ممارسات غير مرتبطة بالسلامة الشخصية.



تحذير من التعرض لإصابة باليد



تحذير من التعرض لإصابة بالرأس



تحذير من التعرض لإصابة بالقدمين



تحذير من التعرض لإصابة بالأعضاء التناسلية



لا تترك المريض دون مرافق.



قطع الغيار



منتجات متوافقة



إصدارات / رقم السلعة



أقصى وزن للمستخدم



بيانات كهربائية



وزن المنتج

### تحذير !

- احرص على قراءة الدليل بالكامل واستيعابه تمامًا قبل الاستخدام. احتفظ بالدليل في مكان قريب من الوحدة.
- التزم بالإرشادات الواردة في هذا الدليل لتلافي وقوع حوادث قد تؤدي إلى التعرض لإصابة شخصية خطيرة.
- يحظر تمامًا استخدام هذا المنتج أو التعامل معه بطرق أخرى غير تلك المحددة في هذا الدليل، حيث قد يؤدي ذلك إلى تعريض سلامتك الشخصية للخطر وتلف المنتج.
- تأكد من إمام جميع الأشخاص القائمين على تركيب المنتج وأنظمته أو استخدامها بالمعلومات الضرورية ومن إمكانية حصولهم على هذا الدليل.

### تنبيه !

- يرجى الالتزام بهذه الإرشادات لتلافي تعرض المنتج للتلف أو التدمير.
- لا تقم بإجراء أي أعمال إصلاح، أو عمليات فك أو تجميع للمكونات، أو توسعات، أو عمليات إعادة ضبط، أو تعديلات بهذا المنتج. يجب عدم إجراء هذه العمليات سوى بمعرفة شركة Pressalit أو الأشخاص المعتمدين من شركة Pressalit.
- يحظر تمامًا السماح للأطفال بتشغيل هذا المنتج دون إشراف. هذا المنتج غير مخصص لأغراض اللعب.
- يحظر تمامًا استخدام المنتج إذا كان معيبًا أو تالفًا. يحظر استخدام المنتج المعيب قبل إجراء أعمال الإصلاح له.

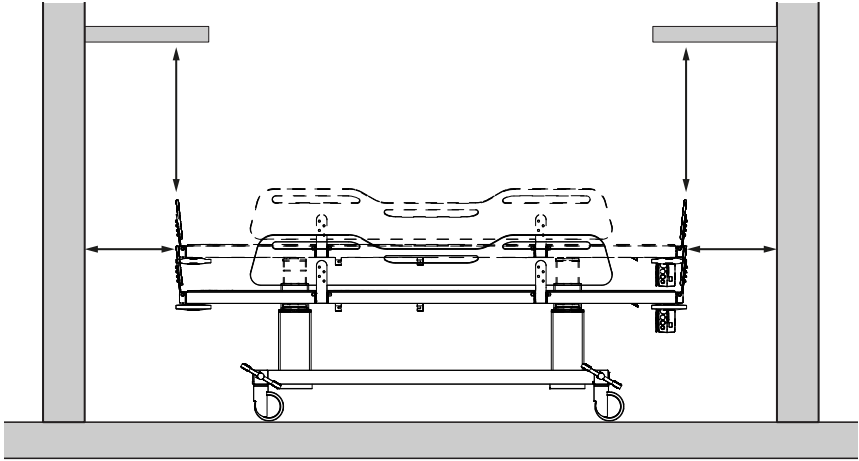
### ملاحظة







- تعتمد المعلومات الموضحة في هذا الدليل على التركيب السليم للمنتج وفقًا لإرشادات التجمي ع الخاصة بنا.
- لن تتحمل شركة Pressalit أي مسؤولية في حالة استخدام المنتج بأي طريقة تختلف عن تلك الموضحة في الدليل.
- نحتفظ بالحق في تعديل هذا الدليل دون إشعار مسبق.

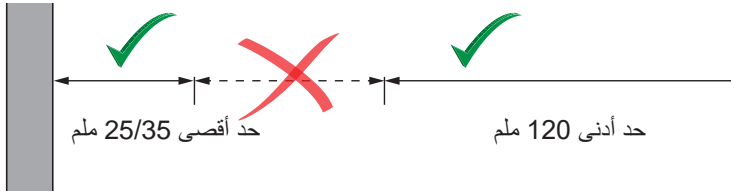
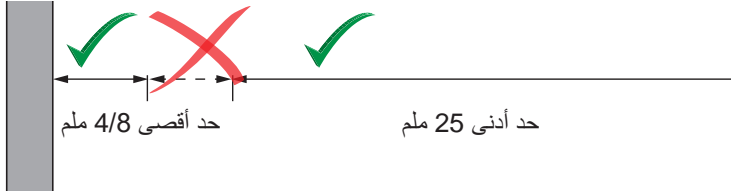
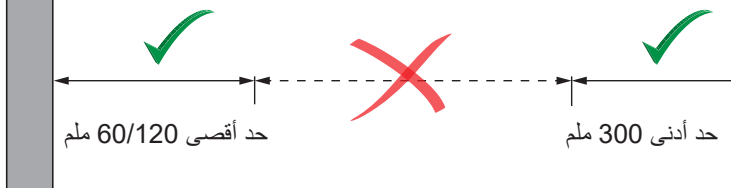


## مسافات السلامة

تأكد من أن الوحدة على مسافة آمنة من الأشياء المحيطة. افحص المسافات قبل أي استخدام.



		ISO 17966:2016
حد أقصى 60 ملم حد أدنى 300 ملم	حد أقصى 120 ملم حد أدنى 300 ملم	
حد أقصى 4 ملم حد أدنى 25 ملم	حد أقصى 8 ملم حد أدنى 25 ملم	
حد أقصى 8 ملم حد أدنى 75 ملم	حد أقصى 8 ملم حد أدنى 75 ملم	
حد أقصى 25 ملم حد أدنى 120 ملم	حد أقصى 35 ملم حد أدنى 120 ملم	



## تحذير !

إذا تحركت الوحدة ضمن مسافات الأمان، فعليك مراقبة الأشخاص والأشياء المحيطة عن كثب لتجنب مخاطر الانسحاق.

## الغرض من الاستخدام

هذا المنتج مخصص للأشخاص العاجزين عن الوقوف أو الجلوس لمساعدتهم على الاستحمام. يستلقي الشخص في وضع أفقي على عربة ترولي الاستحمام.

### مواصفات المشغل المعني

هذا المنتج مصمم للاستخدام بمعرفة الأشخاص المدربين على الرعاية الصحية ومساعدة الأشخاص المسؤولين منهم على الاغتسال.

### مواصفات المستخدم المعني

يمكن استخدام هذا المنتج مع جميع فئات الأشخاص - البالغين والأطفال والشباب والمسنين الذين لا يتعدى وزنهم الحمولة القصوى البالغة 200 كجم.

### بيئة التشغيل

المنتج مصمم للاستخدام في البيئات الداخلية الرطبة، مثل الحمامات أو غرف الاغتسال. والمنتج مُصمم خصيصًا للاستخدام في درجة حرارة الغرفة في أماكن تغيير الملابس العامة والمدارس والمنازل الخاصة ودور الرعاية والتمرريض والمستشفيات في ظروف العمل العادية.

**تنبيه** 

قد يصبح سطح المنتج ساخنًا أو باردًا إذا تعرض لمصادر خارجية للحرارة أو البرودة (مثلًا، ضوء الشمس أو الصقيع).

**ملاحظة**

يجب إبلاغ الشركة المصنعة والسلطات الصحية بأي حادث خطير يقع عند استخدام المنتج.

## موانع الاستخدام

لا يُنصح باستخدام النساء الحوامل على عرببة الترولي للاستحمام. لا يُنصح باستخدام المرضى الذين يستخدمون مضخة التشنج أو مضخة الأنسولين أو يعانون من الأمراض الجلدية الالتهابية أو المرضى الذين يعانون من الحمى في عرببة الترولي للاستحمام.

لا يمكن للمرضى الذين يعانون من قصور القلب وأمراض القلب والأوعية الدموية والإصابة القحفية المخفية، والجروح المفتوحة وخطوط التغذية أو التصريف (مثل القسطرة وأنبوب النَّزْح) الاستحمام في عرببة الترولي للاستحمام إلا بعد استشارة الطبيب المعالج.

لا يُستخدم إذا تجاوز وزن المريض 200 كجم.

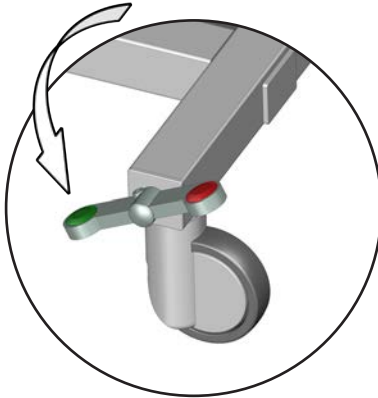
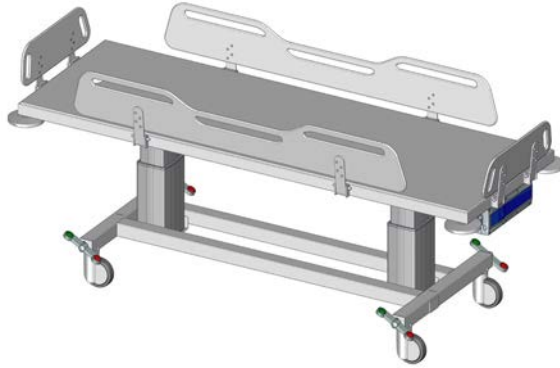
## التوافق الحيوي

تم اختبار المواد التي تلامس جلد المريض أو المستخدم أثناء إجراء الغيار، من حيث احتواؤها على مواد مضرّة وفقاً لمعيار التوافق الحيوي ISO 10993، وبعد الاختبار اعتُبرت مناسبة لهذا الإجراء.

## إرشادات التشغيل

### فرامل الأمان

عربة الترولي للاستحمام مزودة بفرامل أمان على جميع العجلات الصغيرة الأربعة لضمان عدم تمكثها من الحركة دون قصد.

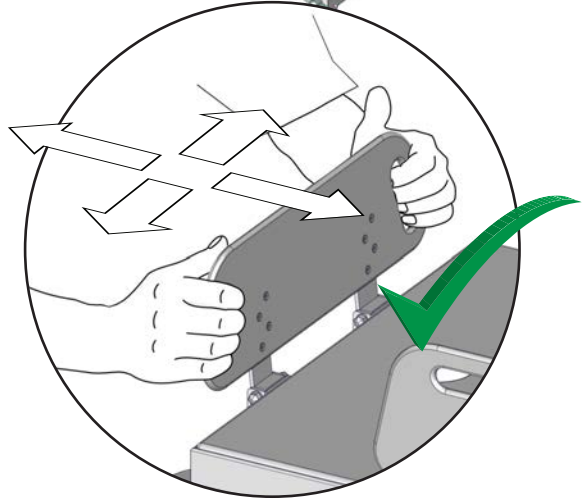
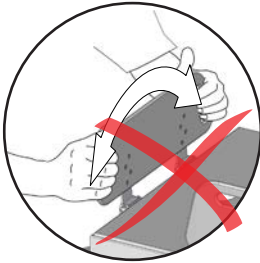
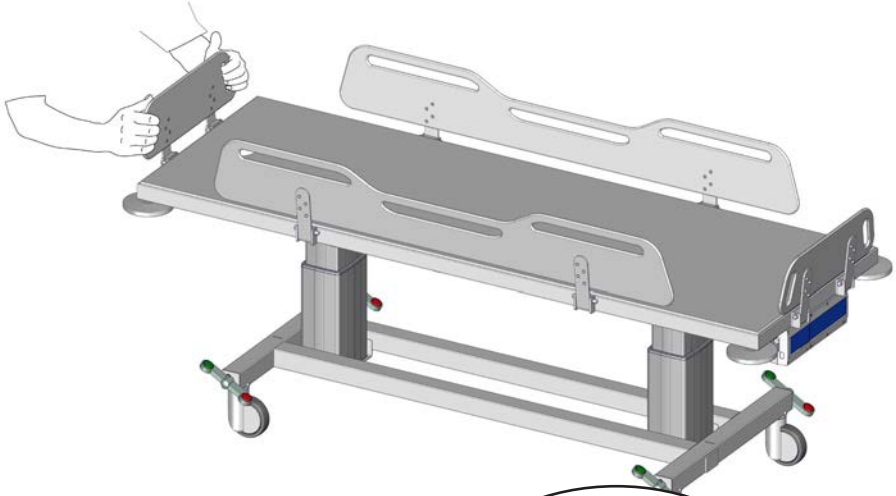


**لفتح الفرامل:** اضغط على الزر الأخضر بإحدى دواسات الكرسي الهزاز الأربعة لفتح الفرامل بالعجلات الأربعة.

**لقفل الفرامل:** اضغط على الزر الأحمر بإحدى دواسات الكرسي الهزاز الأربعة لقفل الفرامل بالعجلات الأربعة.

**تحذير!**

تأكد دائماً من قفل الفرامل عند نقل المريض من عربة الترولي للاستحمام وإليها.



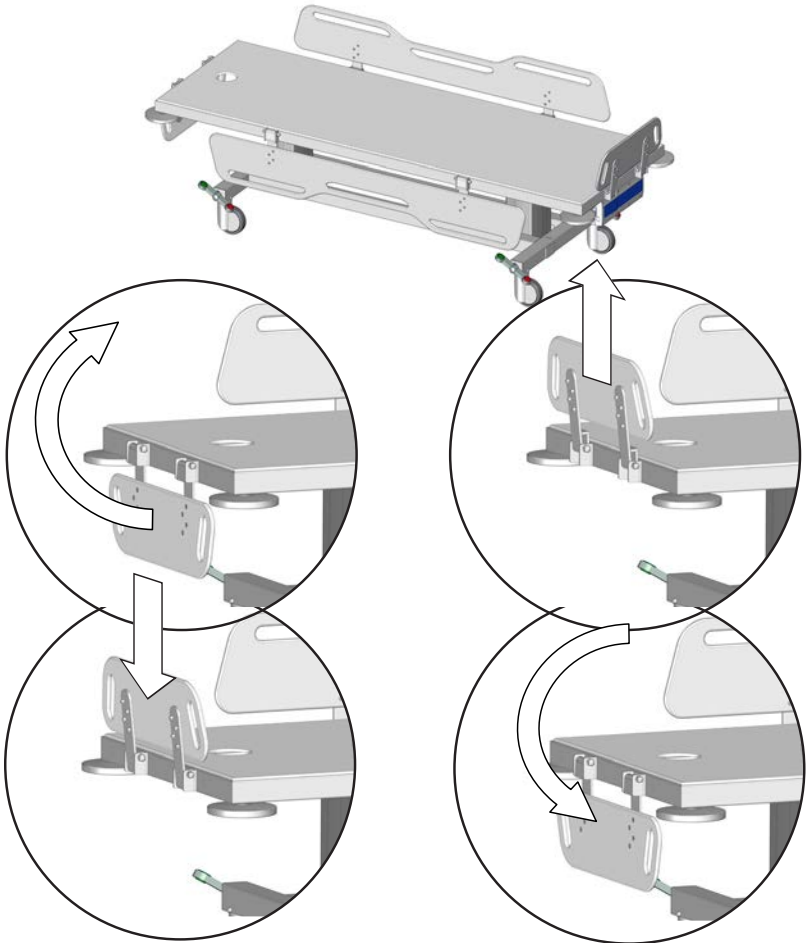
استخدم مواضع الإمساك باليد المجوفة على المساند الجانبية عند تحريك عربة ترولي الاستحمام. ادفع للأمام بشكل مستقيم في الاتجاه المطلوب. لا تقم بلف أو تدوير المسند الجانبي.

لا تترك المريض دون مرافق.



## مساند جانبية

يمكن طي المساند الجانبية لأعلى ولأسفل على حدة لتسهيل نقل المريض. يمكن طي المساند في نهاية عربة الترولي لأعلى ولأسفل على حدة لتسهيل الوصول إلى أقدام/أرجل المريض (ارتداء الجوارب، إلخ).



للطي لأعلى: حرك المسند الجانبي لأعلى وادفعه لأسفل لتثبيتته في مكانه.

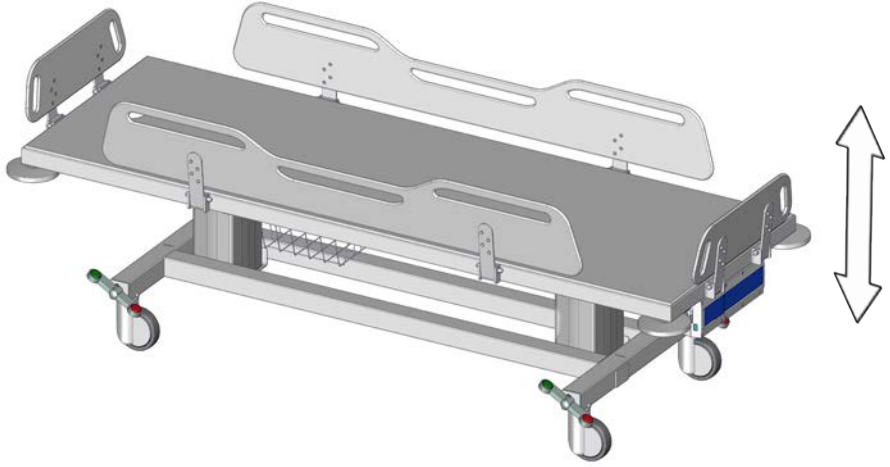
للطي لأسفل: ارفع المسند الجانبي لأعلى لفتحه، وحركه لأسفل.

**تحذير** ⚠

عندما تكون عربة الترولي قيد الاستخدام، تأكد من أن جميع المساند الجانبية منتصبه وفي وضع القفل لحماية المريض من السقوط من الوحدة.

لعربة

## ضبط الارتفاع



يمكن ضبط عربة ترولي الاستحمام 400 ملم/ 15.75 بوصة لأعلى ولأسفل.

أقصى وزن للمستخدم: 200 كجم

الحمولة القصوى: 250 كجم

يتم التحكم في ضبط الارتفاع من وحدة التحكم عن بعد الموصلة سلكيًا.

اضغط مع الاستمرار على الزر الذي يشير لأعلى لرفع الوحدة.  
وعند تحرير الزر، تتوقف الحركة.



اضغط مع الاستمرار على الزر الذي يشير لأسفل لخفض الوحدة. وعند  
تحرير الزر، تتوقف الحركة.



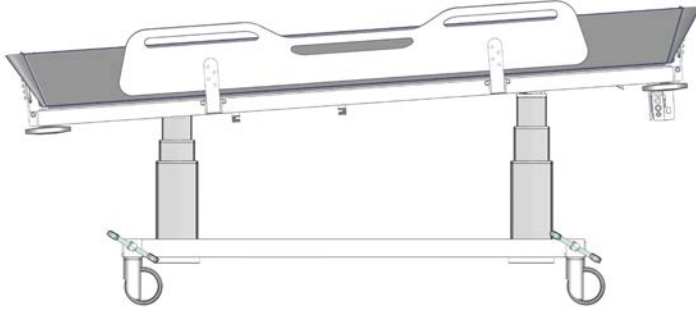
لتجنب خطر الاختناق، تأكد من وضع وحدة التحكم عن بعد  
الموصلة سلكيًا في الحامل الخاص بها في حالة عدم الاستخدام.



توَعَّ الحذر لتلافي تعرض يديك وقدميك ورأسك للإصابة  
عند الوقوف على مقربة من القطع الميكانيكية المتحركة.







يمكن إمالة عربة ترولي الاستحمام 3 درجات تقريبًا للسماح بتصريف المياه عند استخدام مرتبة الاستحمام الاختيارية.

يتم التحكم في وظيفة الإمالة من وحدة التحكم عن بعد الموصلة سلكيًا،

اضغط مع الاستمرار على زر الإمالة لأعلى لإمالة الوحدة. تتوقف الحركة عند إمالة الوحدة 3 درجات تقريبًا، أو عند تحرير زر الإمالة لأعلى.



اضغط مع الاستمرار على زر الإمالة لأسفل لجعل الوحدة مستوية. تتوقف الحركة عندما تكون الوحدة مستوية، أو عند تحرير زر الإمالة لأسفل.



ولا يزال من الممكن رفع الوحدة وخفضها عندما تكون في وضع مائل.

## إعادة الضبط

إذا كانت وظيفة الرفع لا تعمل بشكل صحيح أو إذا كان عمودا الرفع غير متزامنين، فحاول إعادة ضبط نظام الرفع.

اضغط مع الاستمرار على الزر الذي يشير لأعلى والزر الذي يشير لأسفل في نفس الوقت.



ستتحرك الأعمدة بعد بضع ثوانٍ أثناء سماع نغمة تنبيه.

استمر في الضغط على كلا الزرين حتى تختفي نغمة التنبيه.

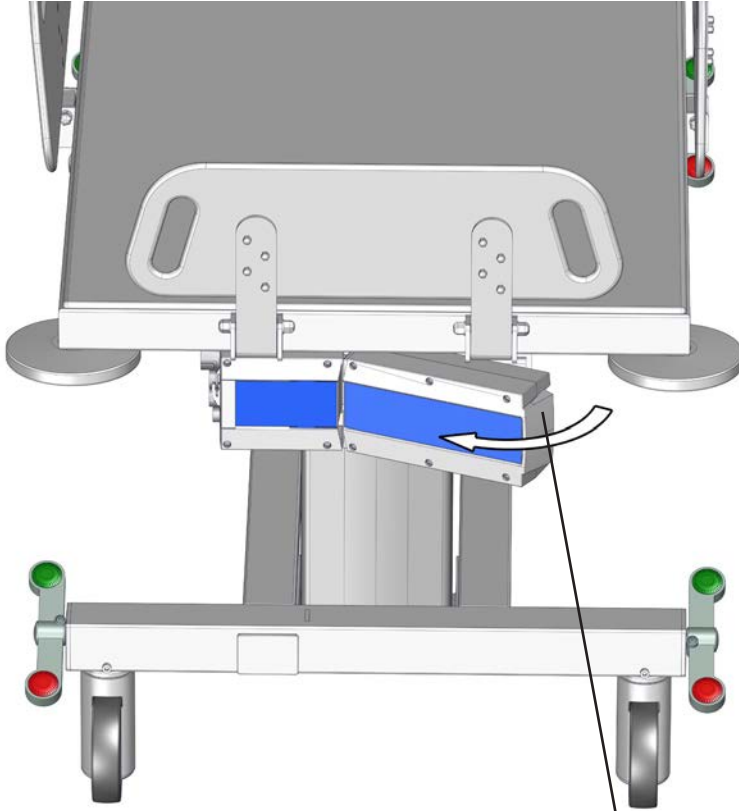


يتم الآن إعادة ضبط أعمدة الرفع.



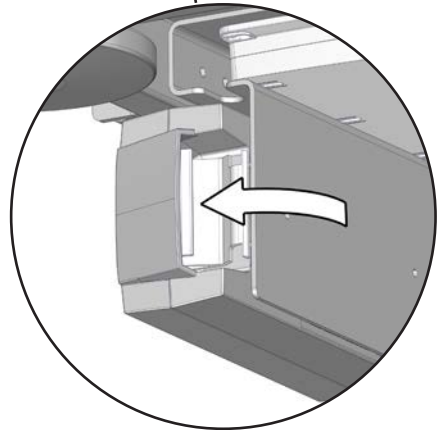
## شحن البطارية

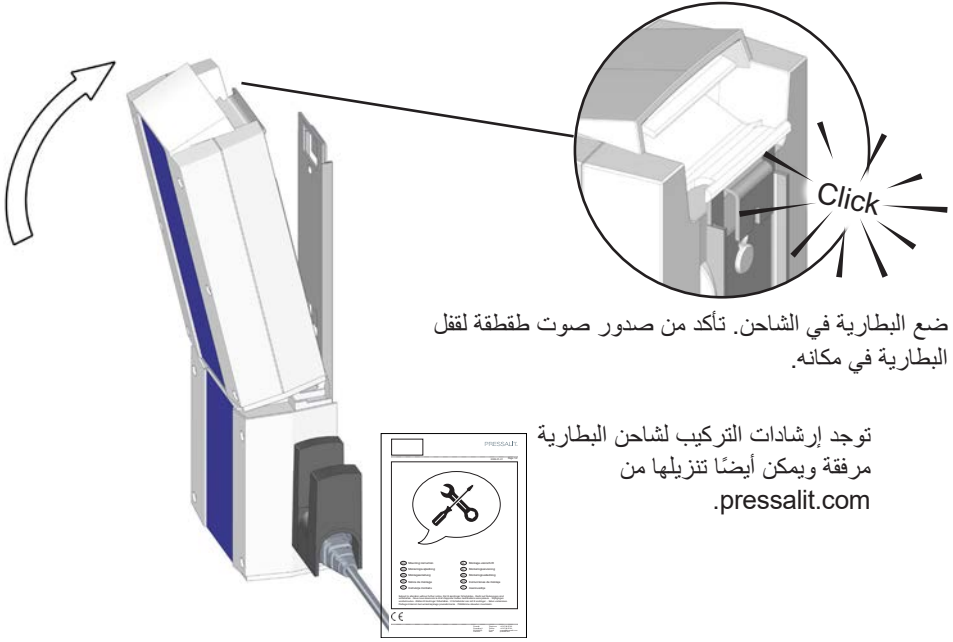
يمكن للبطارية ضبط ارتفاع عربة ترولي الاستحمام حتى 30 مرة عند شحنها بالكامل.



حرر القفل لإزالة البطارية من الشحن.

أعد تركيب البطارية بعد الشحن قبل وضع المريض  
على عربة ترولي الاستحمام.





ضع البطارية في الشاحن. تأكد من صدور صوت طقطقة لقفل البطارية في مكانه.

توجد إرشادات التركيب لشاحن البطارية مرفقة ويمكن أيضاً تنزيلها من [pressalit.com](http://pressalit.com).

## تنبيه

عند انخفاض طاقة البطارية، يمكنك سماع نغمة تنبيه عند تشغيل وحدة التحكم عن بُعد. وعلى الرغم من وجود طاقة كافية لرفع الوحدة أو خفضها، فمن الضروري أن تقوم بشحن البطارية أو استبدالها على الفور. وفي حالة عدم القيام بذلك، سيؤدي ذلك إلى توقف وظيفة الرفع عن العمل بعد فترة وجيزة.

## معلومات مهمة

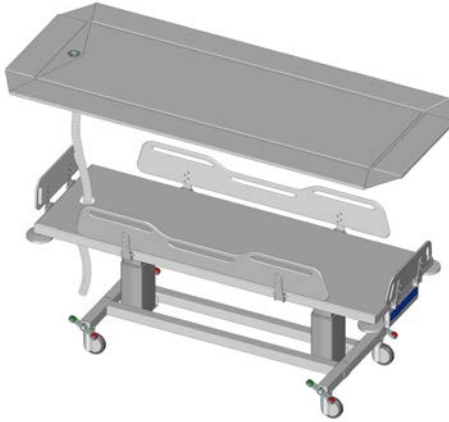
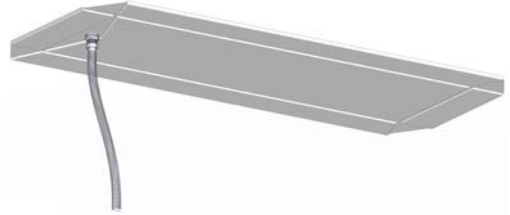
إذا لم يتم استخدام البطارية لأكثر من أسبوع، فإنها تدخل في وضع الاستعداد لتوفير الطاقة وحماية البطارية. ضع البطارية في الشاحن حتى 15 ثانية تقريباً للخروج من وضع الاستعداد قبل الاستخدام. يُرجى ملاحظة عدم وجود إشارة صوتية للإشارة إلى وضع الاستعداد أو للإشارة إلى الخروج من وضع الاستعداد. إذا لم تكن هناك طاقة بعد الخروج من وضع الاستعداد، فيجب شحن البطارية. يجب إعادة شحن البطارية كل 6 أشهر.

## الملحقات

### مرتبة الاستحمام

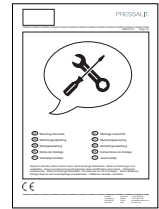
يمكن استخدام عربة ترولي الاستحمام كحوض استحمام مع مرتبة الاستحمام الاختيارية، (R844721 و R844717).

صل خرطوم التصريف بمصرف المرتبة، وفقاً لما هو متضمن في إرشادات التركيب.



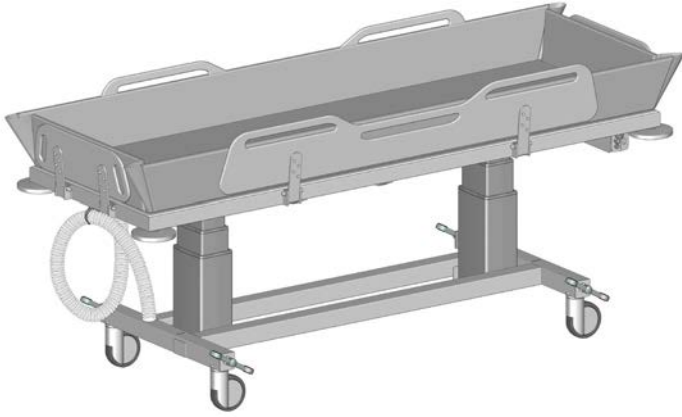
اسحب خرطوم التصريف عبر فتحة تصريف عربة ترولي الاستحمام، وقم بطي المرتبة وضعها على عربة الترولي. تأكد من طي جميع المساند الجانبية الأربعة لعربة ترولي الاستحمام وإغلاقها.

توجد إرشادات لتوصيل خرطوم التصريف مرفقة مع مرتبة الاستحمام ويمكن أيضاً تنزيلها من [pressalit.com](http://pressalit.com).

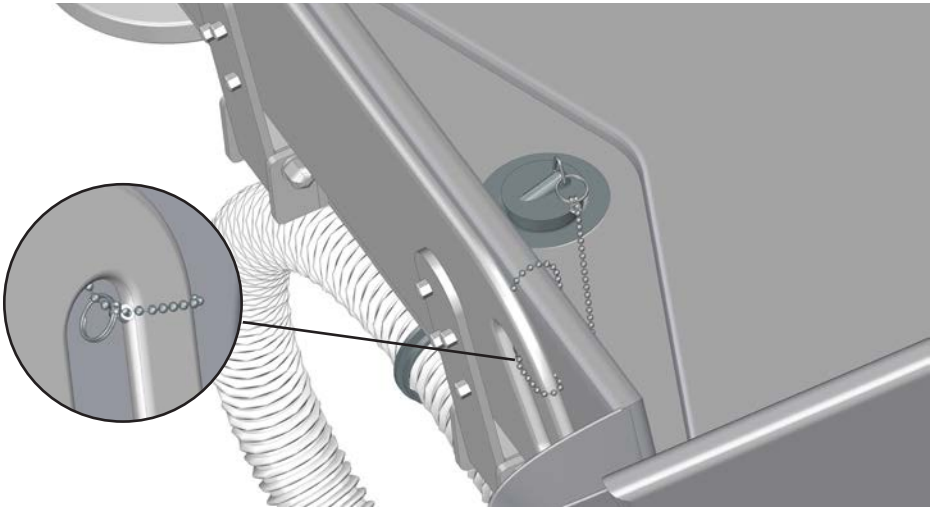


### معلومات مهمة

- افحص المرتبة بشكل منتظم بحثاً عن وجود تلف بها. سيؤدي ذلك إلى منع انتقال العدوى عبر المرتبة.
- استخدم القفازات أثناء التعامل مع خرطوم الفضلات في المرتبة. قد يكون ملامساً للفضلات البشرية.



يتعين عليك لف الخرطوم وربطه بحامل الخرطوم.

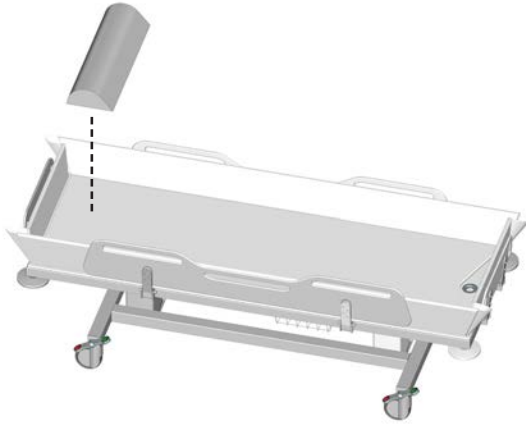


قم بتوصيل حلقة رئيسية واحدة من السلسلة بالقابس. قم بعمل حلقة حول أحد مقابض حافة السرير مع الحلقة الأخرى.

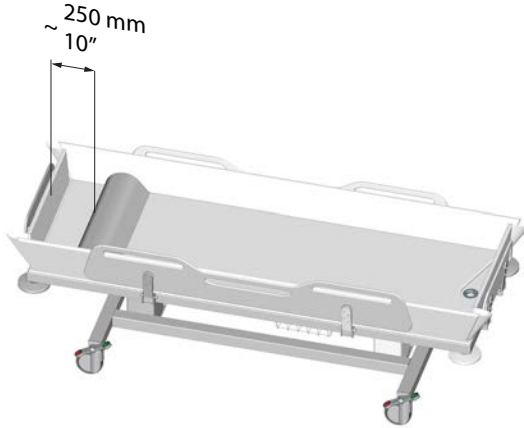
## معلومات مهمة

لا تحرك عربة التروولي عندما يكون هناك مياه في مرتبة الاستحمام. لعربة

## مسند الرأس



يمكن استخدام مرتبة الاستحمام اختياريًا مع مسند الرأس لتوفير الراحة التامة، (R844521).



ضع مسند الرأس في طرف الرأس بعربة تزولي الاستحمام، على بُعد 250 مم (10 بوصات) تقريبًا من اللوح الأمامي.

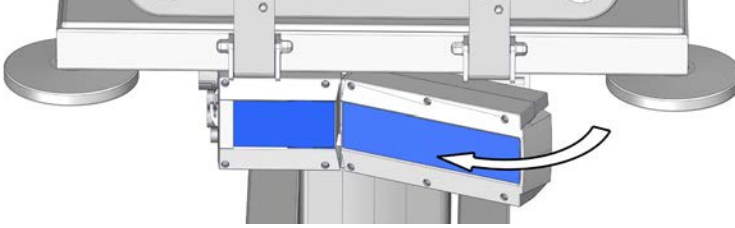
يجب تنظيف المرتبة ومسند الرأس بماء ساخن أو مستحضر تنظيف صابوني معتدل. يمكن العثور على قائمة بمستحضرات التنظيف/المطهرات المناسبة والمختبرة بواسطة Pressalit على [pressalit.com](http://pressalit.com).

### معلومات مهمة

افحص مسند الرأس بشكل منتظم بحثًا عن وجود تلف به. سيؤدي ذلك إلى منع انتقال العدوى عبر مسند الرأس.

## التنظيف

انزع البطارية قبل تنظيف عرببة ترولي الاستحمام.



يجب تنظيف المنتج بماء ساخن ومستحضر تنظيف صابوني معتدل. يمكن العثور على قائمة بمستحضرات التنظيف المناسبة والمختبرة بواسطة Pressalit على [pressalit.com](http://pressalit.com)

### تنبيه

احرص دائماً على قراءة ورقة بيانات سلامة المادة (MSDS) والإرشادات المرفقة مع مستحضر التنظيف أو التعقيم أو إزالة القشور والالتزام بإرشادات الاستخدام، والتخفيف، والغسيل، والتجفيف، والتعامل، والتخزين الآمن للمستحضر.

### معلومات مهمة

- تجنب استخدام جهاز تعقيم البخار المضغوط أو أي نوع آخر من أجهزة التنظيف بالبخار.
- تجنب استخدام مستحضرات التنظيف القوية التي تحتوي على أحماض.
- يحظر تماماً توجيه الرذاذ الصادر من منظم بالضغط العالي إلى المنتج مباشرةً.
- لتطهير السطح، يمكن استخدام المُطهرات التي تحتوي على الكلور وفقاً لمواصفات المنتج واحتياطات السلامة الخاصة بهذه المنتجات.

### تنبيه

لا تقم بأي نوع من التنظيف أو التعقيم لعربية ترولي الاستحمام أثناء استلقاء المريض عليها.

## التوافق الكهرومغناطيسي

### تحذير !

- قد يؤدي استخدام ملحقات ومحولات وكابلات غير تلك التي سبق تحديدها أو المقدمة من الشركة المصنعة إلى زيادة الانبعاثات الكهرومغناطيسية أو انخفاض الحصانة الكهرومغناطيسية لهذه المعدات وينتج عن ذلك أداء غير صحيح.
- يجب استخدام معدات الاتصال اللاسلكية ذات الترددات الراديوية المحمولة (بما في ذلك الوحدات الملحقة مثل كابلات الهوائيات والهوائيات الخارجية) على مسافة لا تزيد عن 30 سم لأي جزء من الوحدة، بما في ذلك الكابلات الخاصة بها، لتجنب أي تدهور في أداء هذه الوحدة.
- يجب تفادي استخدام هذه المعدات بالقرب من معدات أخرى أو ملاصقة لها، لأنها يمكن أن تؤدي إلى إعاقة التشغيل بطريقة صحيحة. إذا كان هذا الاستخدام ضرورياً، فينبغي مراعاة هذه المعدات والمعدات الأخرى للتحقق من أنها تعمل بصورة طبيعية.

### الانبعاثات الكهرومغناطيسية

معييار الاختبار	مستوى / تفاصيل الاختبار	نتائج الاختبار
60601-1-2 ch. 7.1.7 - CISPR 14	30 ميغاهرتز - 1 جيجاهرتز	تم الاجتياز بنجاح

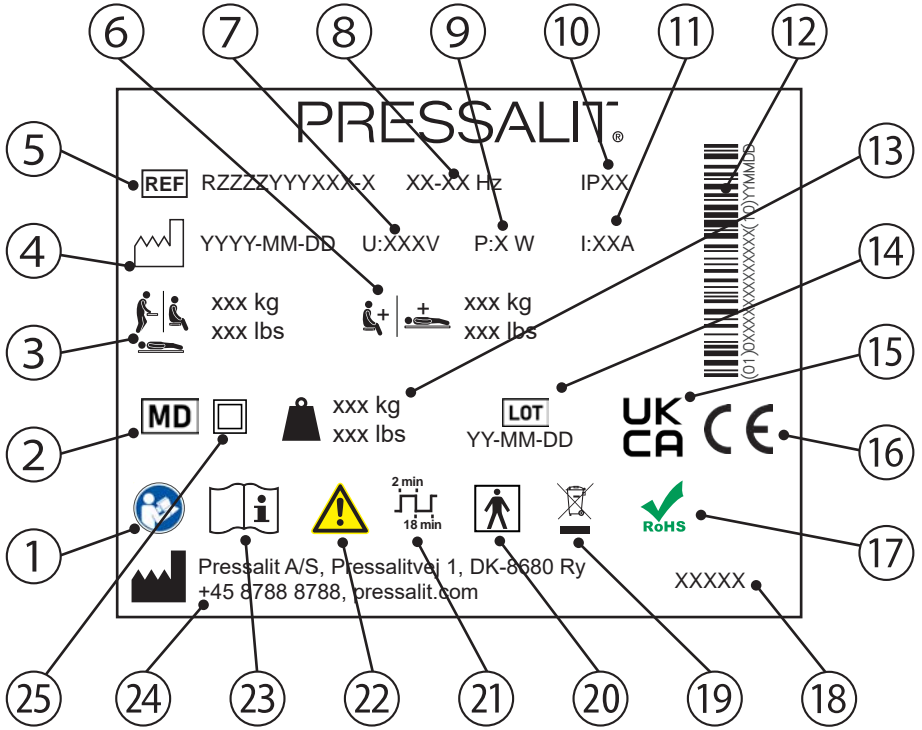


## الحصانة الكهرومغناطيسية

نتائج الاختبار	مستوى / تفاصيل الاختبار	مستوى الامتثال	معياري الاختبار
تم الاجتياز بنجاح	15 فولت/متر نطاق التردد: 80 ميغاهرتز - 6 غيغاهرتز 1% حجم الخطوة	$\leq 10$ فولت/متر 2,7 غيغاهرتز	EN60601-1-2 EN17966 (بيئة الرعاية الصحية المنزلية)
تم الاجتياز بنجاح	15 فولت/متر نطاق التردد: 385 - 5785 ميغاهرتز	$\leq 10$ فولت/متر 2,7 غيغاهرتز	EN60601-1-2 (مجالات التقارب من معدات الاتصال اللاسلكية ذات الترددات الراديوية)
تم الاجتياز بنجاح	محاكاة النبض السريع		IEC 61000-4-4 (التحويل السريع من الكهرباء / الدفقات)
تم الاجتياز بنجاح	التعرض للنبض، 10 فولت	التعرض للنبض، 6 فولت	الاضطرابات الناجمة عن التوصيل بترددات الراديو
تم الاجتياز بنجاح (*)	تفريغ شخص مشحون إستاتيكيًا على وحدة، 8 كيلو فولت و15 كيلو فولت		التفريغ الكهربائي

\* في حالة تفريغ شخص مشحون بشكل ثابت على أو بالقرب من صندوق التحكم في عربة ترولي الاستحمام، فقد يحدث عطل في أعمدة الرفع، وينبغي إجراء إعادة الضبط. انظر "إعادة الضبط".

## ملصق تعريف المنتج



1 راجع دليل الاستخدام

2 جهاز طبي

3 أقصى وزن للمستخدم

4 تاريخ الإنتاج

5 رقم السلعة

6 الحمولة القصوى

7 الجهد الكهربائي لمصدر الطاقة الرئيسي

8 التردد

9 أقصى استهلاك للطاقة

10 فئة IP

11 التيار الكهربائي

12 الرمز الشريطي GS1-128

13 وزن المنتج

14 كود المجموعة

15 أُجري تقييم المطابقة للمملكة المتحدة

هذه المنتجات حاملة لعلامة CE بموجب الاشتراطات السارية في:  
• لائحة (الاتحاد الأوروبي) 745/2017 (5 أبريل 2017) بشأن الأجهزة الطبية.  
• توجيه المجلس الأوروبي EC/42/2006 (بتاريخ 17 مايو 2006) بشأن الآلات.  
• توجيه المجلس الأوروبي EC/65/2011 (بتاريخ 8 يونيو 2011) بشأن RoHS.  
يمكن الاطلاع على إعلان المطابقة على [pressalit.com](http://pressalit.com)

17 لا يحتوي هذه المنتج على أي مواد خطرة مذكورة في توجيه مجلس الاتحاد الأوروبي رقم EC/65/2011 حول الحد من المواد الخطرة.

18 اسم المنتج (إن وُجد)

19 لا تتخلص من المنتج باعتباره نفايات محلية غير مصنفة. يجب تجميع المنتج على حدة وإعادةه إلى خدمة إعادة التدوير المخصصة.

20 جزء يلامس المريض من النوع BF جزء من المنتج يلامس المريض بالضرورة بصورة مادية خلال الاستخدام العادي لأداء وظيفته. يتوافق المنتج مع متطلبات معايير IEC 60601-1 لتوفير الحماية من الصدمات الكهربائية

21 دورة العمل

22 راجع الدليل للتعرف على معلومات تحذيرية مهمة مثل التحذيرات والتنبيهات

23 راجع دليل الاستخدام

24 اسم الشركة المصنعة وعنوانها

25 جهاز كهربائي مزدوج العزل

## التخزين والنقل

- ينبغي أن تتراوح درجة حرارة نقل وتخزين الوحدة بين 5 و40 درجة مئوية.
- ينبغي نقل الوحدة في عبوتها الأصلية دائماً.
- تجنّب تعريض العبوة إلى الصدمات والتأثيرات.
- لا تستخدم المنتج إذا كانت العبوة معيبة أو تالفة.

## استكشاف المشكلات وإصلاحها

الإجراء	السبب	العرض
أعد شحن البطارية. انظر "شحن البطارية".	نفدت طاقة البطارية.	لا يوجد طاقة.
ضع البطارية في الشاحن حتى 15 ثانية تقريباً. انظر "شحن البطارية".	البطارية في وضع الاستعداد.	لا يوجد طاقة.
أعد ضبط أعمدة الرفع. انظر "إعادة الضبط".	أعمدة الرفع غير متزامنة.	عربة ترولي الاستحمام مائلة بالرغم من عدم تنشيط وظيفة الإمالة.
أعد ضبط أعمدة الرفع. انظر "إعادة الضبط".	في حالة تفريغ شخص مشحون بشكل ثابت بالقرب من صندوق التحكم في عربة ترولي الاستحمام، فقد يحدث عطل في أعمدة الرفع.	لا يمكن رفع عربة ترولي الاستحمام أو خفضها.

اتصل بشركة Pressalit أو الوكيل الذي تتعامل معه في حالة تعدد إصلاح المشكلة. لا تحاول إصلاح المنتج بنفسك، حيث سيؤدي ذلك إلى إبطال الضمان.

يبلغ عمر الخدمة المتوقع لعربة ترولي الاستحمام 10 أعوام.

## التخلص من المنتج وإعادة تدويره

تحتوي الوحدة على مواد قابلة لإعادة الاستخدام. لا توجد أخطار أو مخاطر معروفة مرتبطة بالتخلص من المنتج. يمكن التخلص من جميع المكونات بعد تنظيفها وتعقيمها.

عند التخلص من المنتج، نوصي بتفكيك مكوناته وتقسيمها إلى مجموعات مختلفة من النفايات من أجل إعادة تدويرها أو حرقها.

يوفر الجدول التالي معلومات حول إعادة تدوير المنتج والتعامل معه.

المادة	المكونات القابلة لإعادة التدوير
يمكن إعادة تدوير الصلب من خلال صهره وإدخاله كمادة ثانوية في إنتاج صلب جديد.	الصلب
استخدم أنظمة فرز المواد البلاستيكية وإعادة تدويرها في أماكن توفرها محليًا، بخلاف ذلك يتسم حرق البلاستيك بميزة إضافية تتمثل في توليد الطاقة والتي يمكن استخدامها، على سبيل المثال، لإنتاج الحرارة والطاقة بشكل مشترك.	مواد بلاستيكية
يجب تجميع المكونات الإلكترونية على حدة وإعادتها إلى خدمة إعادة التدوير المخصصة.	المكونات الإلكترونية
ينبغي التخلص من البطاريات وفقًا للوائح المحلية.	البطاريات

www.pressalit.com

- en** Visit our website to find your local dealer and get further information about Pressalit and our solutions for bathrooms and kitchens.
- 
- dk** Besøg vores hjemmeside for at finde din lokale forhandler og få yderligere oplysninger om Pressalit og vores løsninger inden for bad og køkken.
- 
- de** Besuchen Sie unsere Website, und finden Sie einen Händler in Ihrer Nähe, um mehr über Pressalit und unsere Lösungen für Badezimmer und Küchen zu erfahren.
- 
- fr** Rendez-vous sur notre site Internet pour trouver les coordonnées du revendeur le plus proche et obtenir des informations sur Pressalit et nos solutions pour la salle de bains et la cuisine.
- 
- nl** Breng een bezoek aan onze website om te zien waar u onze producten kunt kopen en voor meer informatie over Pressalit en onze oplossingen voor badkamers en keukens.
- 
- sv** Besök vår webbplats för att hitta en lokal återförsäljare och för mer information om Pressalit och våra lösningar för kök och badrum.
- 
- no** Besøk nettstedet vårt for å finne din lokale forhandler og få ytterligere informasjon om Pressalit og løsningene våre for bad og kjøkken.
- 
- es** Visite nuestro sitio Web para localizar su distribuidor local y obtener información adicional sobre Pressalit y nuestras soluciones para cuartos de baño y cocinas.
- 
- pl** Odwiedź naszą stronę www, gdzie znajdziesz lokalnego dystrybutora oraz informacje o Pressalit i naszych rozwiązaniach dla łazienek oraz kuchni.
- 
- 中文** 请访问我们的网站查询您所在地的经销商，以便获得关于Pressalit 以及我们其他浴室和厨房用品更详细的信息资料。
- 
- العربية** قم بزيارة موقع الويب الخاص بنا لمعرفة الوكيل المحلي في منطقتك والحصول على المزيد من المعلومات حول شركة Pressalit وحلول الحمامات والمطابخ التي نقدمها.

