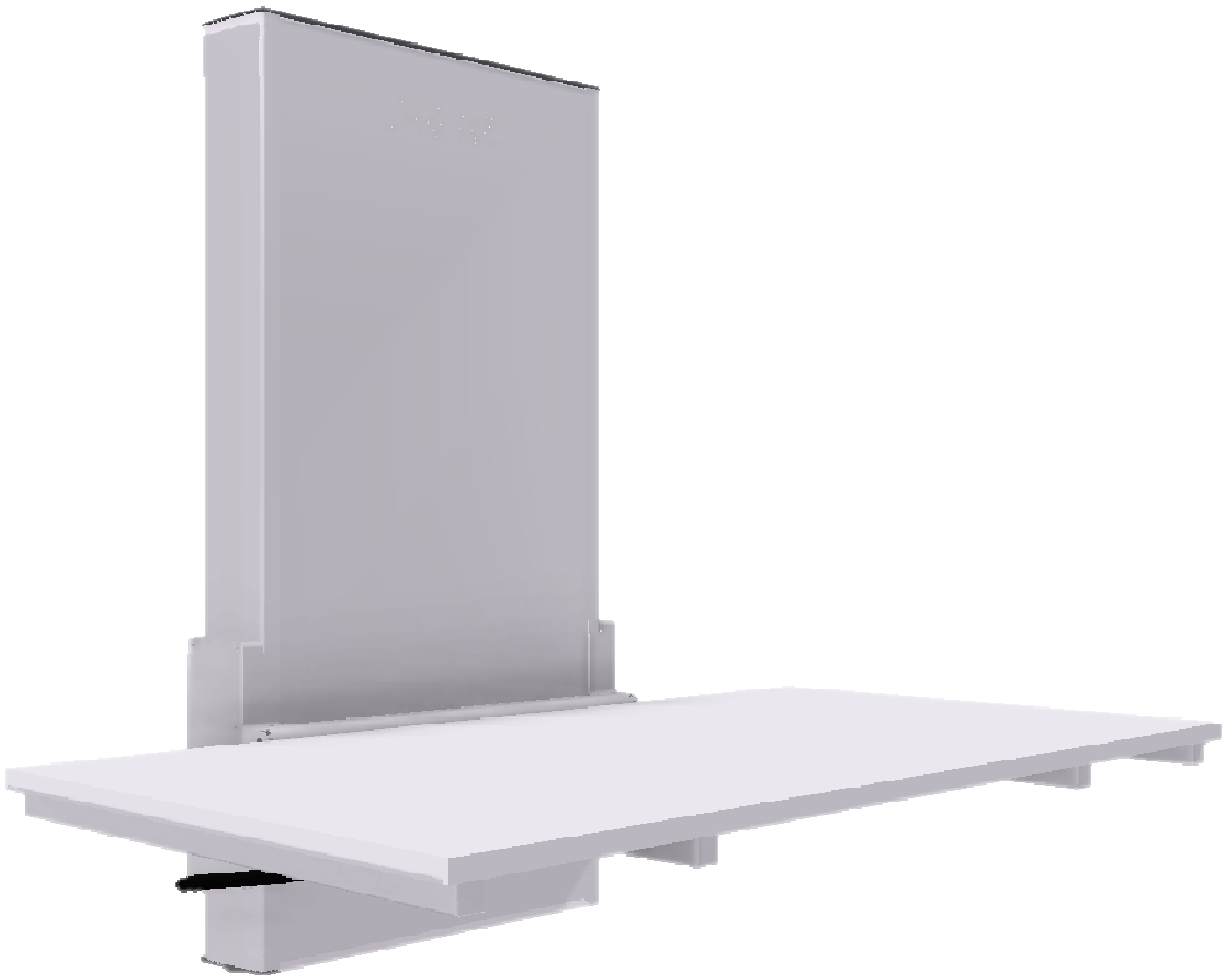




Kingkraft

Kingkraft Wall Mounted Changing Table-User Manual



General information



It is important to read this manual before mounting and daily use.

Product : Vario nursing table, height adjustable

Producer : Ropox, DK-4700 Naestved, Phone +45 55 75 05 00

Usability – The height adjustable nursing table can be used to nurse children and adults (up to 150Kg). The shower bed can be used at home, in day care center or institutions to obtain good and correct working conditions for the carer.

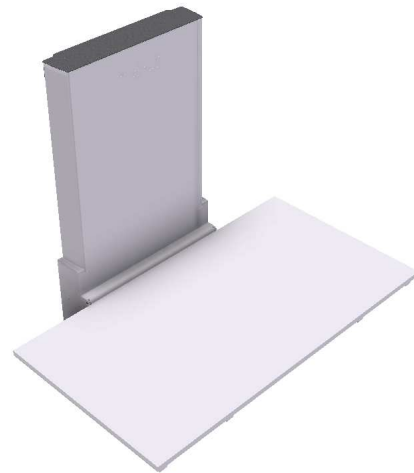
When not in use, the plate can be folded up against the wall to save space.

By using the up and down button on the handheld control switch, the height adjustment of the nursing table can be performed.

General information

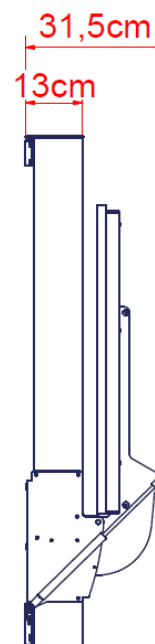
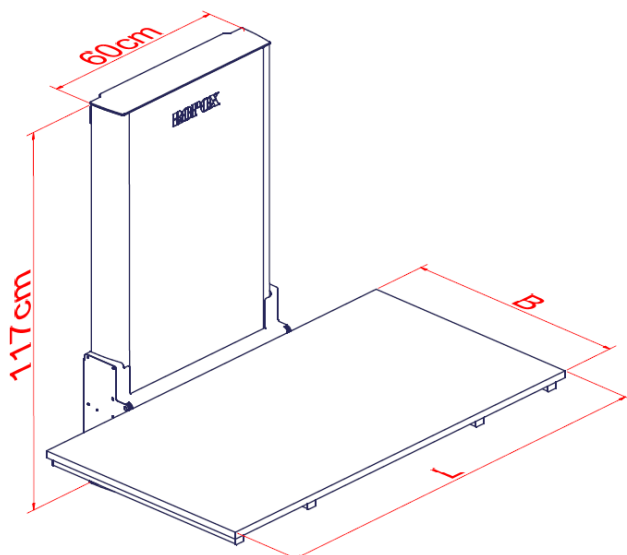
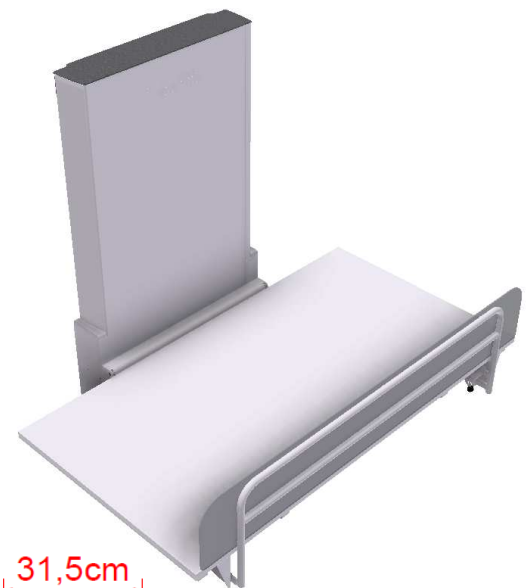
Part numbers, Vario nursing table without bedguard

<u>Lenght (L)</u>	<u>Width 70 (B)</u>	<u>Width 80 (B)</u>
90	40-30601	40-30619
100	40-30602	40-30620
110	40-30603	40-30621
120	40-30604	40-30622
130	40-30605	40-30623
140	40-30606	40-30624
150	40-30607	40-30625
160	40-30608	40-30626
170	40-30609	40-30627
180	40-30610	40-30628
190	40-30611	40-30629



Part numbers, Vario nursing table with bedguard

<u>Lenght (L)</u>	<u>Width 70 (B)</u>	<u>Width 80 (B)</u>
90	40-30801	40-30819
100	40-30802	40-30820
110	40-30803	40-30821
120	40-30804	40-30822
130	40-30805	40-30823
140	40-30806	40-30824
150	40-30807	40-30825
160	40-30808	40-30826
170	40-30809	40-30827
180	40-30810	40-30828
190	40-30811	40-30829



General information

Technical data

Electrical connection:	230V, 50Hz, max 2.0A
Standby consumption:	7W
Duty cycle:	Max 10%, 2 min/18 min
Height:	Work surface 30 – 100 cm
Material – Frame:	Welded steel tubes St.37, Stainless and aluminum
Plate:	White laminated chipboard
Shower tray:	ABS
Surface treatment:	Powder coating, white RAL 9010 matt, Chromate
Maximum load:	150 kg

Technical data Mattress

Product:	Mattress with slip resistant base layer
Height:	3 cm
Length x width:	Like work plate, see part number scheme
Material:	Canvas: Dahlia 9317 type HR3836 – light gray
Foam:	PUR type 9527, HR-40
Maximum load:	135 kg



This product has CE-marking according to "Medical equipment, Low Voltage and EMC directives. Has been tested according to the European standards DS/EN ISO 12182 and DS/EN ISO 60601-1. This product is in risk group 1.

User Manual

Daily use

Before start using this product, be sure that “main power” has been connected as described in electrical connections.

Make sure the mattress is lying stable on the tabletop having the slip-resistant surface between the mattress and the tabletop.

By using the up ▲ down ▼ bottom on the handheld control switch, the height adjustment of the shower bed can be performed. The control switch has a spiral cord, which can be pulled out to a length of 200cm.

Maximum load on the nursing table 150 kg.

After use

When not using the nursing table, the plate can be folded up against the wall. This way it will only take up the space of approx. 31,5cm from the wall.

At the pivot point a gas damper is mounted, to reduce the power needed movement when folding up or down.



Recommendations in use

Recommendations in the use of the height adjustable nursing table

The height adjustable nursing table helps the caretaker to obtain the most optimal working height. Height adjustment allows you to customize the working height to the individual carer, and can also save unnecessary lifting.

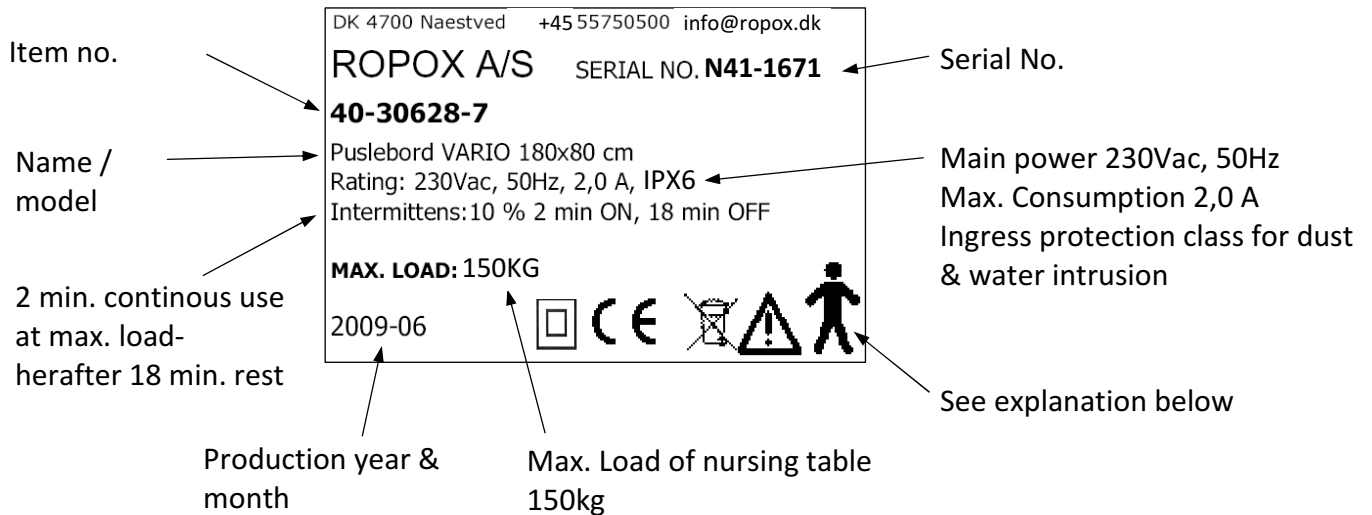
To ensure optimum utilization of the nursing tables features and avoid accidents, it is important to observe some basic safety procedures

- NEVER leave a person on the nursing table unattended - not even for a very short period.
- The nursing table must be operated by adults. The nursing table is a working tool and not a toy.
- Only height adjust nursing table when tabletop is folded down in horizontal position.
- Pay particular attention to other people in the room when using the nursing table. Make sure that no children are playing under or with the table. The nursing table is not a playground.
- Keep the hand control out of the reach of children. Make sure that they cannot operate the table unattended. A bracket for wall mounting is included with delivery.
- Make sure that there is free space above and below the nursing table to allow height adjustment. The worktop is up foldable, but please be aware of obstacles above, below and around the worktop to prevent trapping risk.
- If the control switch has been damaged or stopped working, it has to be replaced immediately. The up and down buttons are “push and hold”. The motor stops when the button is being released. This is a very important safety element.
- If two nursing tables are mounted next to each other, we recommend to mount a side cover between, to avoid the trapping risk.

Labelling

Label

Each nursing table has its own label as shown. The label contains information which is very important to specify when contacting your supplier. It also shows main power supply.



Symbol view:



User Manual must be read before use



Waste must be sorted. Most parts for re-use.



Type B equipment. As for EN 60601-1



Class 2 equipment. Without earth connection.



CE-marking. This product complies with the demands for general safety and functionality in the relevant EU directives and standards.

EMC information



The nursing table complies with the demands for electromagnetic compatibility (EMC), if installation and daily use is according to instructions in this manual.

In seldom situations the nursing table might be affected by electronic signals from ex. portable computers, cell phones etc.

Fault finding

The nursing table does not move up or down when operating the hand control	Check if: Main power connected 230V. Motor is connected to control box Hand control is connected to control box Motor is overloaded
Hand control defect	Check if: The product works with another hand control
By pressing the up or down button, no movement is achieved, only clicking sounds is are heard from control box	Plugs are not connected correctly. Dismount all cables and re-connect.
The nursing table is not horizontal/level	Make a "reset": Simultaneously pres & hold "up" & "down" button of hand control. The control box will start to bleep. Keep pushbutton presed down until control box stops bleeping (approx 10 sec.)

Waste handling



Used equipment shall be disposed of according to the National law. We recommend to dismount the product to the greatest extent possible, in a way that most parts can be reused. Be aware that this product contains electronically components. Example of groups this product can be sorted in: metal, plastic, cables, electronics and parts for destruction.



The nursing table may be used at temperatures from 5° to 45°C
The nursing table may be used at a relative humidity between 5% and 85% non-condensing.

Factors affecting storage and transport



Maintenance

The nursing table is maintenance free. All moving parts have been lubricated. For safety reasons it is recommendable to check all mounting screws and moving parts to be sure all is tightened. Also check cables are not damaged and can move freely.

Cleaning the nursing table

To clean the nursing table do not use a high-pressure washer.

Simply use a soft cloth or sponge with soapy water of max 60°C. Always clean the nursing table after use to prevent dirt from sticking to the surface.

Important:

Do not use scouring powder or other abrasives as they may scratch the paint and surface of product. Also avoid use of cleaning utensils with sharp edges. Never use strong mineral acids or alkali.

Laminate worktop:

The Laminate worktop is maintenance free.

Clean the Etronit-M surface with a soft cloth firmly wrung in hot water with a little liquid detergent. The detergent should be without sulphonic soap as this may result in a greasy surface. Stains that cannot be removed with water can often be removed with a mixture of equal parts chlorine bleaching and water or with acetone. When using these products see that the room is sufficiently ventilated and note that these products should not be used on wooden material.

Stains from felt-tip pencils can be removed using methylated spirit, and pencil strokes can be removed with a plain rubber. In case of doubt, we recommend you to experiment on a spot that cannot be seen as certain products may damage the laminate, e.g. sulphuric acid etc.

Some chemicals, ink and strongly colouring fruit juices may cause discoloration if they remain on the table for a longer period of time as the pigmentation sticks to the surface.

Do not use steel wool, scouring powder and other abrasive products or detergents leaving a film on the surface, e.g. yellow soap.

After cleaning, rinse with clear water and dry with a cloth or the like.

Mattress

Canvas: Recommended cleaning detergent: Normal soap or alcohol, the alcohol can be used undiluted.

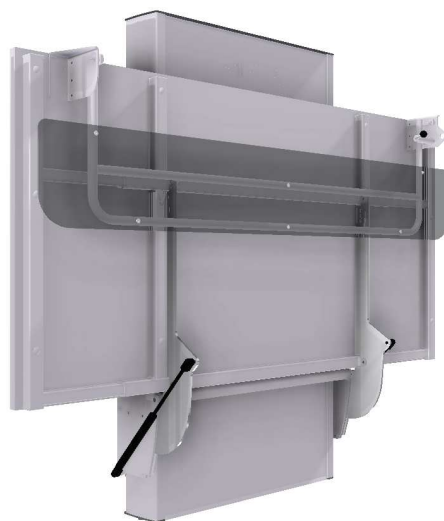
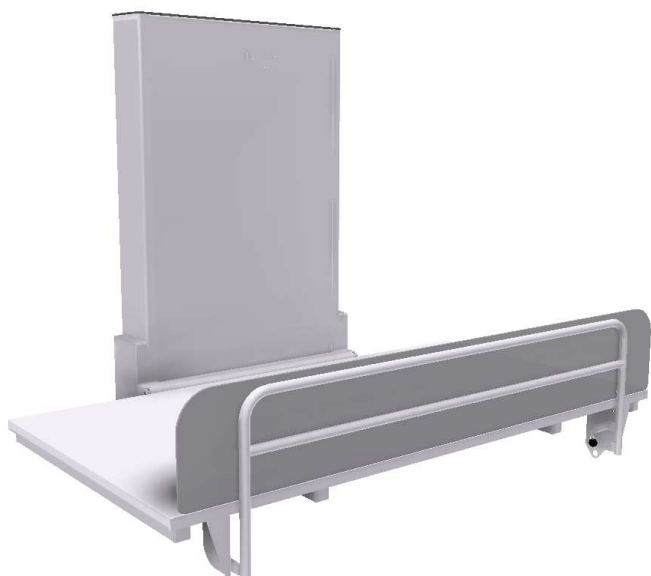
Machine washable at max. 95° and can be dry tumbled at max. 130°.

Foam: Cannot be washed

Accessories

Bed guard

Bed guard in length 88 and 128 cm is available as an option. Contact Ropox for item no.



Accessories

Mattresses

The mattress is delivered in same sizes as the nursing table size and includes an anti slip surface.

<u>Length</u>	<u>Width</u>	<u>Mattress</u>
90	70	40-25793
100	70	40-25766
110	70	40-25768
120	70	40-25760
130	70	40-25761
140	70	40-25795
150	70	40-25762
160	70	40-25796
170	70	40-25763
180	70	40-25764
190	70	40-25765

<u>Length</u>	<u>Width</u>	<u>Mattress</u>
90	80	40-25769
100	80	40-25770
110	80	40-25771
120	80	40-25772
130	80	40-25773
140	80	40-25774
150	80	40-25775
160	80	40-25776
170	80	40-25777
180	80	40-25778
190	80	40-25779

EU – Declaration of Conformity



I hereby declare under sole responsibility that the following products:

Without bedguard:

40-30601	Vario nursing table, 90 x 70 cm	40-30619	Vario nursing table, 90 x 80cm
40-30602	Vario nursing table, 100 x 70 cm	40-30620	Vario nursing table, 100 x 80cm
40-30603	Vario nursing table, 110 x 70 cm	40-30621	Vario nursing table, 110 x 80cm
40-30604	Vario nursing table, 120 x 70 cm	40-30622	Vario nursing table, 120 x 80cm
40-30605	Vario nursing table, 130 x 70 cm	40-30623	Vario nursing table, 130 x 80cm
40-30606	Vario nursing table, 140 x 70 cm	40-30624	Vario nursing table, 140 x 80cm
40-30607	Vario nursing table, 150 x 70 cm	40-30625	Vario nursing table, 150 x 80cm
40-30608	Vario nursing table, 160 x 70 cm	40-30626	Vario nursing table, 160 x 80cm
40-30609	Vario nursing table, 170 x 70 cm	40-30627	Vario nursing table, 170 x 80cm
40-30610	Vario nursing table, 180 x 70 cm	40-30628	Vario nursing table, 180 x 80cm
40-30611	Vario nursing table, 190 x 70 cm	40-30629	Vario nursing table, 190 x 80cm

With bedguard:

40-30801	Vario nursing table, 90 x 70 cm	40-30819	Vario nursing table, 90 x 80cm
40-30802	Vario nursing table, 100 x 70 cm	40-30820	Vario nursing table, 100 x 80cm
40-30803	Vario nursing table, 110 x 70 cm	40-30821	Vario nursing table, 110 x 80cm
40-30804	Vario nursing table, 120 x 70 cm	40-30822	Vario nursing table, 120 x 80cm
40-30805	Vario nursing table, 130 x 70 cm	40-30823	Vario nursing table, 130 x 80cm
40-30806	Vario nursing table, 140 x 70 cm	40-30824	Vario nursing table, 140 x 80cm
40-30807	Vario nursing table, 150 x 70 cm	40-30825	Vario nursing table, 150 x 80cm
40-30808	Vario nursing table, 160 x 70 cm	40-30826	Vario nursing table, 160 x 80cm
40-30809	Vario nursing table, 170 x 70 cm	40-30827	Vario nursing table, 170 x 80cm
40-30810	Vario nursing table, 180 x 70 cm	40-30828	Vario nursing table, 180 x 80cm
40-30811	Vario nursing table, 190 x 70 cm	40-30829	Vario nursing table, 190 x 80cm

are all under Classification Class I and in conformity with the following directives and standards:

DIRECTIVES

- The Council Directive No.2007/47/EEC, concerning Medical Devices amended through Directive No.98/79/EC
- 2006/95/EEC Directive for Low-voltage, amended through Directive No.93/68/EEC
- 2004/108/EEC, EMC-Directive, amended through Directives No.92/31/EEC and 93/68/EEC

STANDARDS

DS/EN	1041: 2009	DS/EN ISO	10993-1: 2009
DS/EN	14971: 2008	DS/EN	60601-1+CORR: 2006
DS/EN	12182: 2002	DS/EN	60601-1-2: 2007
DS/EN ISO	9999: 2009		

Dato: 11-12-2014



Tommy Jensen
Adm. direktør

Complaints

See General Terms of Sale and Delivery on www.ropox.dk

Kingkraft Ltd, 26D Orgreave Crescent, Dore House Industrial Estate, Sheffield S13 9NQ
phone 0114 2690697 fax 0114 2695145 email info@kingkraft.co.uk web www.kingkraft.co.uk



Ropox A/S

Ringstedgade 221

DK – 4700 Naestved

Tel.: +45 55 75 05 00 Fax.: +45 55
78 05 50

E-mail: info@ropox.dk

www.ropox.com

