



## Pre-Installation Details

### Multibath SE

Please read carefully before commencing



Kingkraft Ltd, 26D Orgreave Crescent, Dore House Industrial Estate, Sheffield S13 9NQ  
phone 0114 2690697 fax 0114 2695145 email [info@kingkraft.co.uk](mailto:info@kingkraft.co.uk) web [www.kingkraft.co.uk](http://www.kingkraft.co.uk)

# CONTENTS

- General information
- Delivery and room preparation
- Position and clearance
- Water supply requirements
- Pipework
- Drainage + waste
- Taps
- Electrical

## General Information

This booklet describes the ideal conditions to which a site should be prepared prior to the installation of the Multibath SE. If you have any doubt as to the requirements, you can speak to Kingkraft who can advise further.

Please note, should Kingkraft have to make any return visits due to the following pre-installation information not been followed there may be further charges applied.

Special manufactured versions of the Multibath SE to the customer's specifications may require different or extra procedures. Please refer to Kingkraft if this is the case.

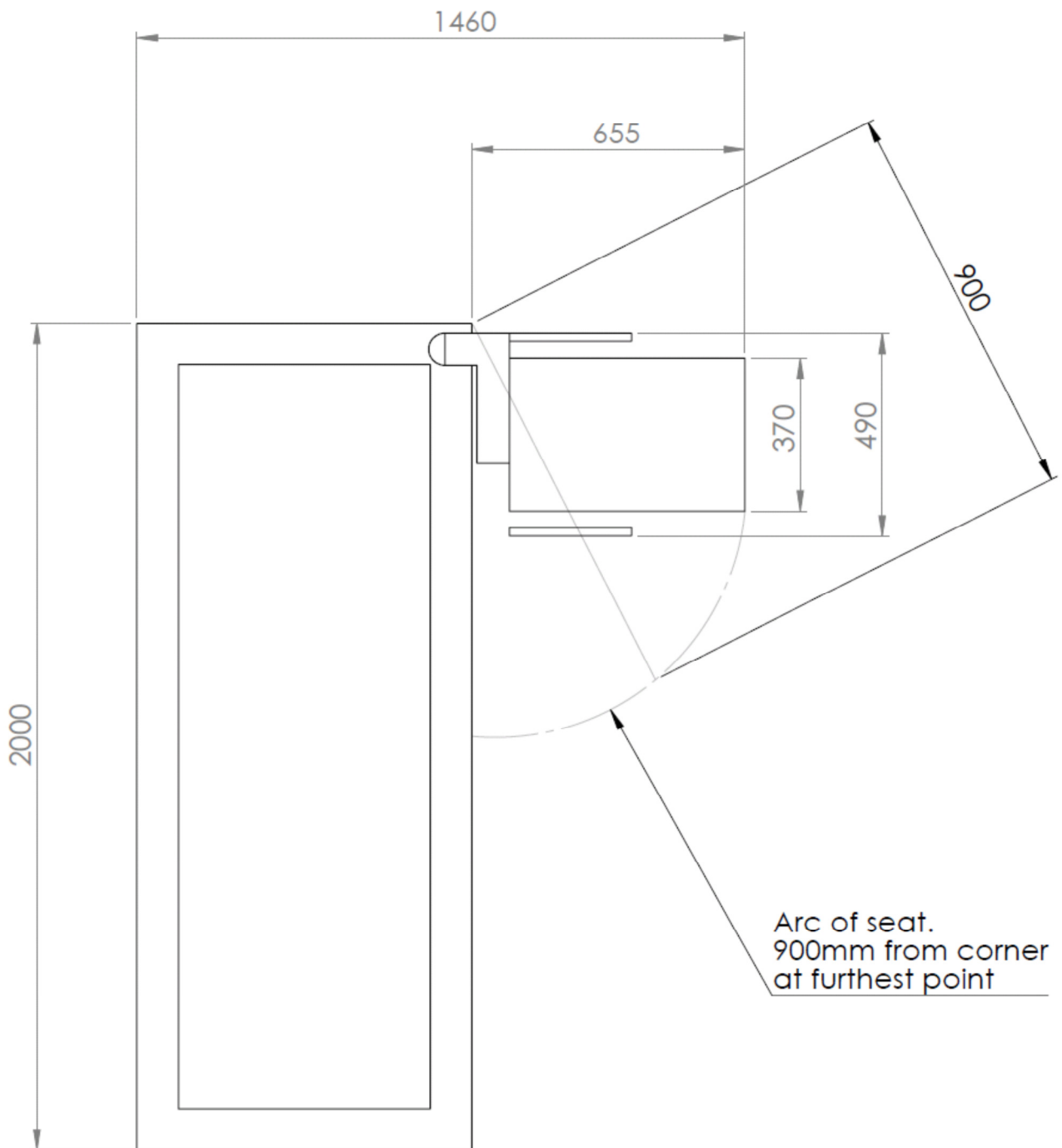
The Multibath SE is available in two different sizes (1700 and 2000-see dimensions page) A variety of bath and shower fill taps are available and integral shower systems are available for the Multibath SE and it is advisable to confirm the specification before proceeding.

## Delivery and Room Preparation

Please remember the bath is a large heavy item. How to move the bath in the room should be considered and if the bathroom is not particularly large, it is recommended to leave other fittings e.g basins etc until after the bath is installed.

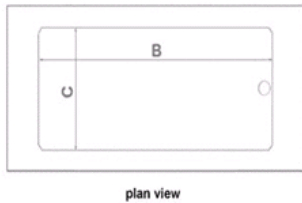
When deciding on positioning the bath, allowance will have to be given for wall clearance. **To comply with BS ISO 17966:2016 there must be at least 300mm clearance around your Multibath SE to avoid trapping.** If not achievable due to limited space, installation may be possible; however a risk assessment must be carried out prior to installation by a competent person and documented to eliminate any hazards. Nothing should be wall mounted above the bath as this may cause a risk of trapping as the bath traverses upwards.

Note: The Multibath SE has a seat that swings out and must be taken into consideration when positioning the bath. Kingkraft order the frame in to suit where the bath is going to be positioned-therefore we would need to know this information ideally at initial site visit. Should the 'handing' of the bath change at all from the original specification, please inform Kingkraft as soon as possible.



## Multibath positions and dimensions shown without the seat

### General Dimensions



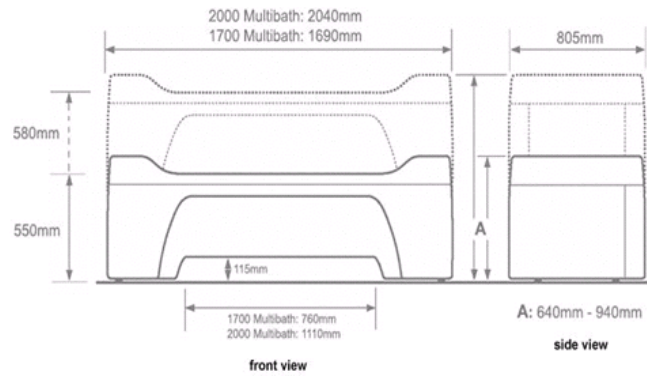
plan view

**B: 2000 Multibath:**  
1730mm at top of tub  
1510mm at bottom of tub

**1700 Multibath:**  
1400mm at top of tub  
1180mm at bottom of tub

**C: 1700 + 2000 Multibath:**  
590mm at top of tub  
500mm at bottom of tub

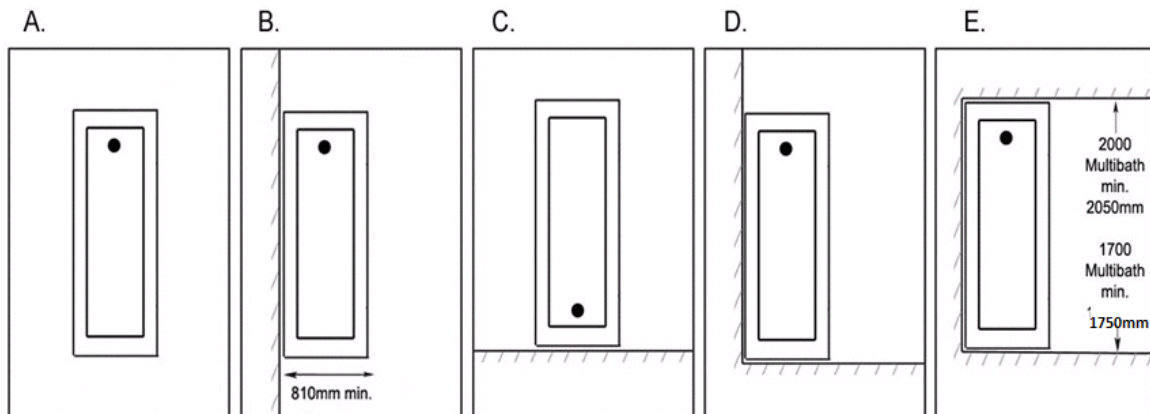
Internal Tub Depth: (at sides, not ends)  
From bottom of bath tub to top of side: 400mm  
Standard depth of water to bottom of overflow: 270mm



front view

side view

**Possible installation positions within a room:** The bath can be installed in any of the following positions:  
(Dimensions in mm)



## Water Supply Requirements and Regulations

### Water Supply Requirements

Depending on the nature of the establishment where the bath is to be used. UK water regulations stipulate certain conditions of supply. The bath may be classed as Category 3 (typically used in private domestic dwelling) or a Category 5 (e.g hospital) If used in a multi-environment then the local water authority should be informed if a Category 5 installation.

A standard Multibath SE has a volume of no more than 230 litres to the depth of the overflow hole, but special sizes may be more, In this case please inform the local water authority. Your local water authority can advise you on the likely categorisations in your particular establishment.

In order that the bather does not become cold, the bath is designed to permit as high as possible flow rates.

Gravity fed systems should be done in 22mm. If high flow rates are available then it is preferable to pipe supplies in 15mm.

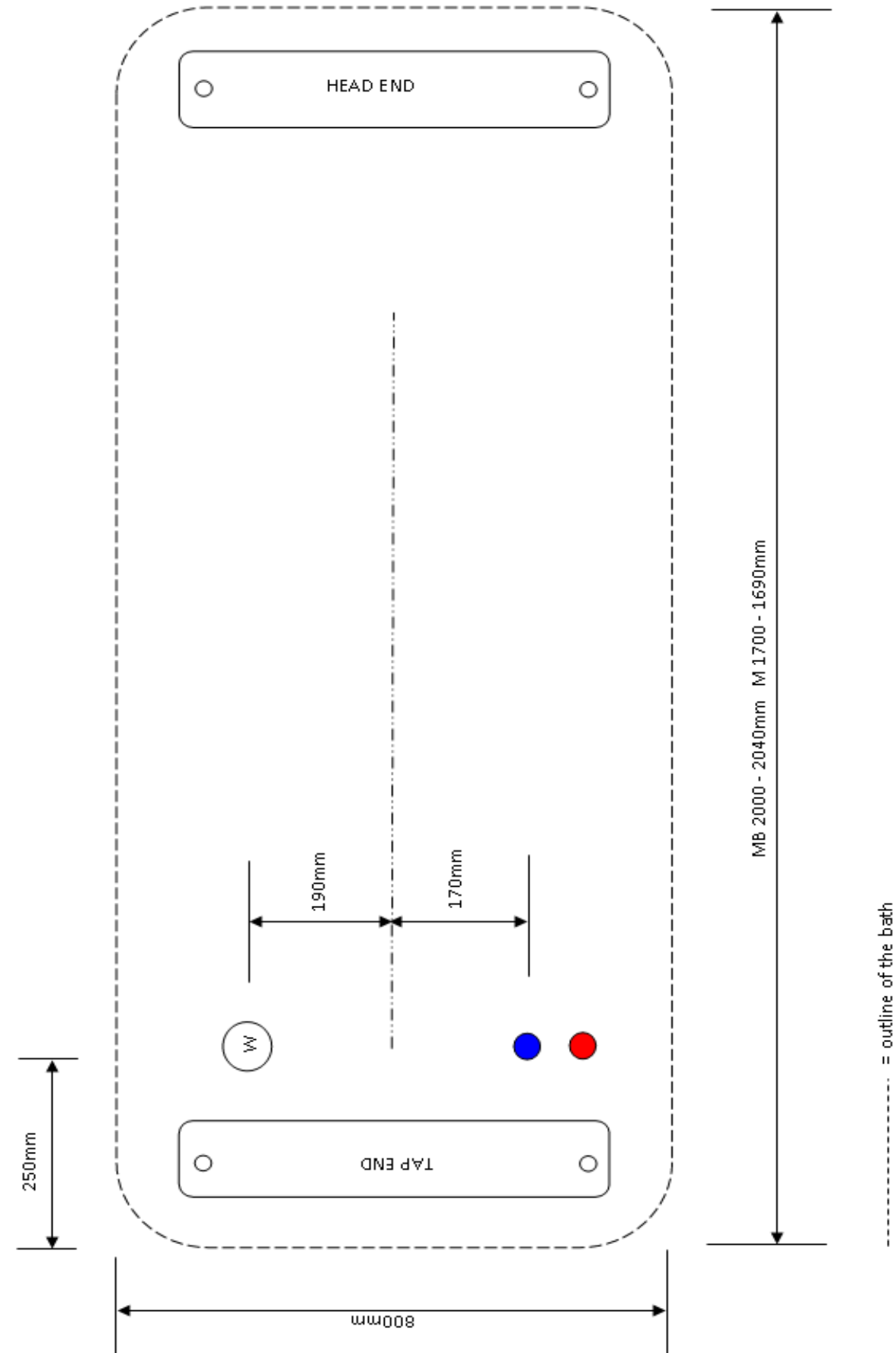
In addition to adequate flow rates, the incoming water pressures must be ideally be in a ratio of 3:1 cold to hot for on-board valves, 2:1 or equal pressures for the digital mixing valves and equal pressures for the RADA Autotherm and Reliance mixer taps, with no tendency for air locks and with a nominal hot temperature of 55°C or higher. The mixer valves / taps will need to be set up and checked at commissioning - 44°C=bath and 39°C=Shower.

Adequate hot water storage must be available – a standard Kingkraft bath is 230 litres or less in volume up to overflow hole depth.

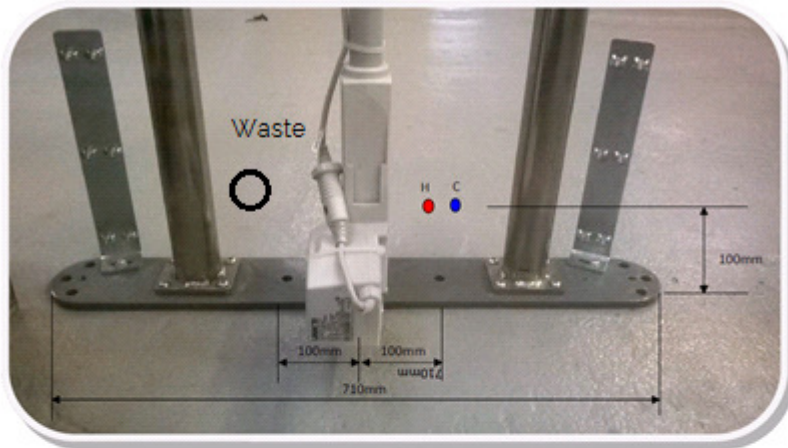
**The boiler must be plumbed in and working to the correct temperatures before final commissioning can commence-if the water is not turned on, Kingkraft can not complete the installation and commissioning and will charge for a return visit.**

### Pipework

Hot and cold supplies should be as low as possible and should be positioned as shown below; all pipework must be safely routed within the room and to relevant and current plumbing standards.



Pipework coming in from the drain end of the bath



## Drainage and Waste

The bath is supplied with a single waste connection.

The drain passes through a low level trap connected to 40mm flexible drain hose with a sleeve fitting / compression straight connector at the other end, connecting it to the waste outlet.

A rigid 40mm tail should be provided at low level, no more than 50mm above floor at the drain end of the bath, to allow for an elbow to be glued on top, as shown. If no elbow is required on the maximum height of the waste pipe connection is 130mm from the floor.

Waste fittings up to the point where the Kingkraft straight connector attaches to the pipemust be solvent weld and the 38mm push-fit type.





## Tap Options

There are three options available for mixer taps. Please check which has been specified before proceeding.

### RADA Sense Digital Mixer Tap

The hot and cold water mixer unit is mounted underneath the bath unit and the control panel either mounted remotely from bath, for example on an adjacent wall, or directly on the top surface of the tap end of the bath, or on a bracket on the top surface or side of the bath.

The mixer valves are set to maximum and minimum temperatures and then the user can vary the temperature between these using the infra-red sensing control unit. **Please discuss the mounting of the control panel with Kingkraft prior to installation if mounting on the wall.**

### Thermostatic Mixer Taps

If a thermostatic mixer tap has been specified this will be mounted at the drain end of the bath, on the top surface of the bath tub.



Make/models of thermostatic mixer tap can vary; see enclosed manufactures instructions includes with the bath supplies for specific tap details.

## Electrical Requirements

The room into which the baths will be installed must comply with the latest electrical zoning/building regulations, a qualified electrical engineer should advise on this. These regulations stipulate the minimum distance from the bath to electrical equipment in the room.

Kingkraft will not be able to commission the bath without an electrical supply present on the agreed date of installation.

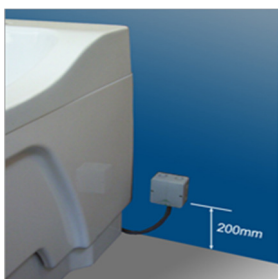
Part P of the Building Electrical Safety Regulations applies to domestic dwellings where persons reside or share common supply of electricity with a business premise. These regulations were effective from 1<sup>st</sup> January 2005. At the very least properties require a confirmation in writing that the installation complies with the requirements of BS7671.

This can only be supplied by a qualified electrician and will not be provided by Kingkraft.

The following work must be carried out by a qualified electrician prior to the installation going ahead; Kingkraft can supply an electrician for an additional cost-please get in touch if you would like Kingkraft to quote for these works.

The electrical low voltage installation for the bath facility must confirm to the following specification; a competent electrician must be consulted at all times.

- Supply 230v, 50Hz, single phase & neutral on a fused spur
- Supply protected by suitably rated RCD with a 30mA trip (not supplied with bath) and shall supply for the bath only. (5 amp fuse for raise / lower option a 13 amp fuse if the supply powering whirlpool options)
- A suitable isolation switch (not supplied) should be included-this should be located at high level in either the bathroom or an adjacent room.
- Supply should be located at an agreed position, nominally 200mm above floor level preferably at the 'non drain' end of the bath. The positioning must not impede raise/lower movement of the bath / surrounding panelling.
- Supply to be in an enclosure of IPX rating; the enclosure shall have facility for 'glanding off' using waterproof compressions glands to preserve the IPX5 rating of the installation (not supplied with the bath)
- Enclosure to be 100mm x 100mm x 50mm in dimension. Armoured cable is to be used with mains powered lifting frames and whirlpool connections



If you have any queries or would like any further information, please don't hesitate to get in contact.

Kingkraft Ltd, 26D Orgreave Crescent, Dore House Industrial Estate, Sheffield S13 9NQ  
phone 0114 2690697 fax 0114 2695145 email [info@kingkraft.co.uk](mailto:info@kingkraft.co.uk) web [www.kingkraft.co.uk](http://www.kingkraft.co.uk)