



## **Pre-installation details**

### **Contour**

**Please read carefully before commencing**



Kingkraft Ltd, 26D Orgreave Crescent, Dore House Industrial Estate, Sheffield S13 9NQ  
phone 0114 2690697 fax 0114 2695145 email [info@kingkraft.co.uk](mailto:info@kingkraft.co.uk) web [www.kingkraft.co.uk](http://www.kingkraft.co.uk)

# CONTENTS

- General information
- Delivery and room preparation
- Positioning and clearance
- Measurements
- Water supply and regulations
- Pipework
- Drainage and waste pipes
- Taps and thermostatic valves
- Electrical requirements

The Contour is available in 2000 size only. The bath features a drop down door one side and is variable height.

**PLEASE NOTE FOR US TO COMPLETE INSTALLATION AND COMMISSIONING OF THE CONTOUR BATH, THERE MUST BE HOT WATER TURNED ON AND POWER POINT SUPPLIED. IF THESE ARE NOT COMPLETED TO THE PLANS OUTLINED IN THIS PRE-INSTALLATION DOCUMENT, THERE MAY BE FURTHER CHARGES APPLIED FOR A RETURN VISIT.**

A standard Contour weighs approximately 171kg.

The right load can support a bath up to 133kg in weight. Therefore it is important that the floor is fully load bearing.

Throughout this pre-installation guide 'left handed' and 'right handed' Contour's are shown. This means when facing the front of the bath, the plug hole is either at the 'left hand' or 'right hand' side of the bath (the front cover shows a 'right hand' sided bath)

### **DELIVERY AND ROOM PREPERATION**

- The room must be easily accessible for manoeuvring of the very large bath unit
- Walls finished – painted / tiled
- Floor finished and level
- Hot water and electrics on

Please note-this is a very large and heavy product and will require careful consideration on how the bath and other parts / components are moved in the room.

**This bath is heavy; group lifting or suitable devises must be used when moving/handling the unit.**

## POSITIONING AND CLEARANCE

Under floor heating should be left out of the area where the bath is going unless there is a significant depth of screed between the heating pipes and the finished floor.

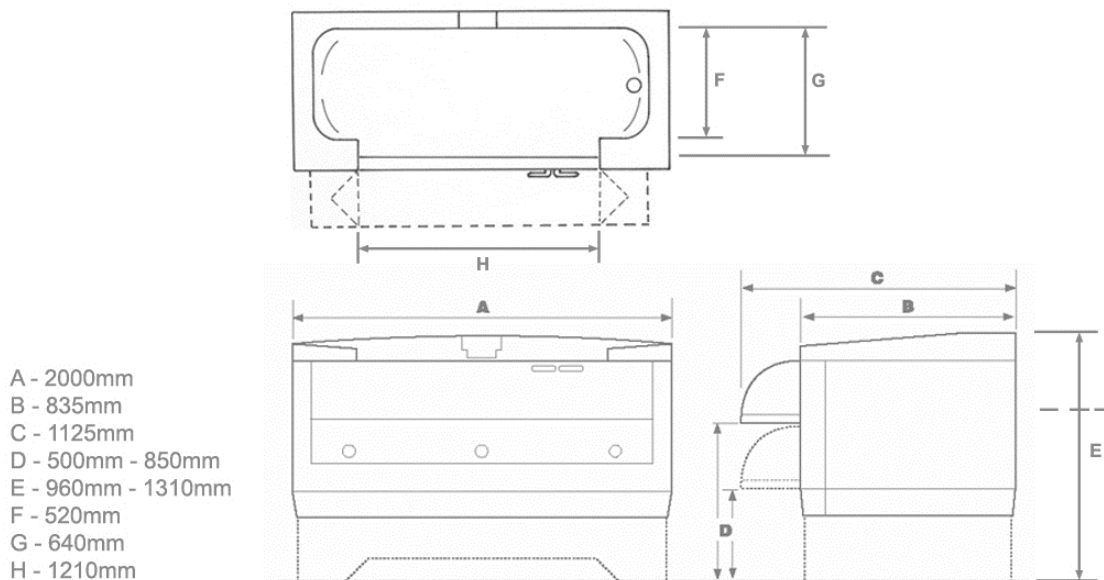
### Clearance around the bath:

**Please note: to comply with BS ISO 17966:2016 there must be at least 300mm clearance around your Contour to prevent trapping-if this is not possible then a competent person must carry out a risk assessment to ensure there isn't a trapping risk.**

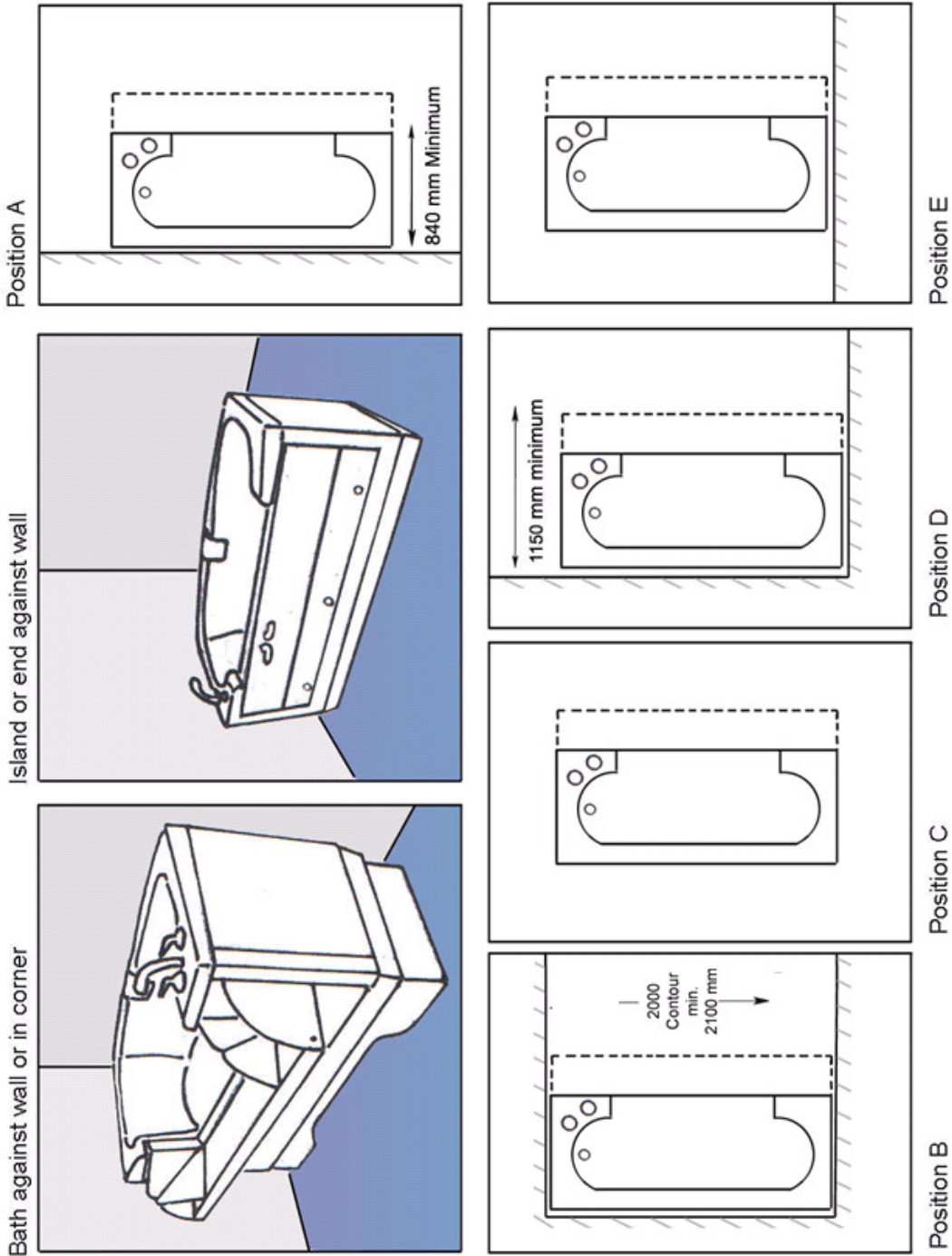
When positioning the bath, allowance will have to be given for wall clearance as the bath moves up and down.

- The bath must be away from any objects / fittings to allow traverse. Nothing should be wall mounted above the bath as this may cause a risk of trapping as the bath traverses.

### 2000 CONTOUR BATH



# Contour Bath Installation Positions -



\* Right Hand Unit shown - reverse for Left Hand Unit

## WATER SUPPLY AND REGULATIONS

Depending on the nature of the establishment where the bath is to be used, UK water regulations stipulate certain conditions of supply. The bath may be classed as Category 3 (typically used in private domestic dwelling) or a Category 5 (e.g hospital, care home) If used in multi-user environment then the local water authority should be informed if a Category 5 installation.

Your local water authority can advise you on the likely categorisation in your particular establishment,

### Water Supply Requirements

In order that the bath does not become cold, the bath is designed to permit as high as possible flow rates.

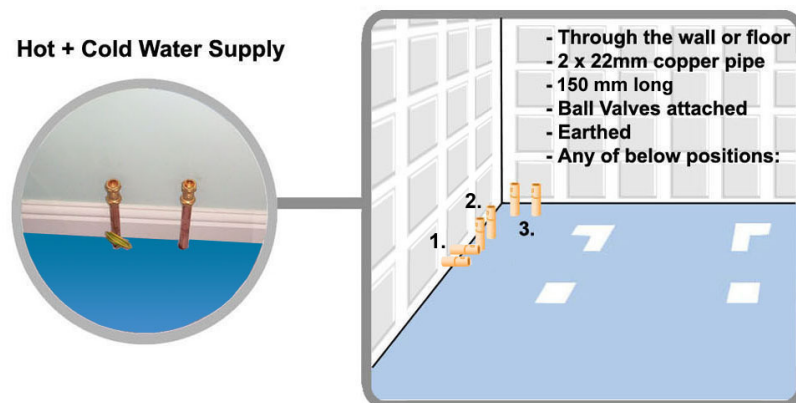
Gravity fed systems should be done in 22mm. If high flow rates are available then it is preferable to pipe supplies in 15mm.

The Contour is supplied with standard hot/cold taps and on board valves, In addition to adequate flow rates, the incoming water pressures must be ideally be in a ratio of 3:1 cold to hot with no tendency for air locks and with a nominal hot temperature of 55°C or higher.. The mixer valves will need to be set up and checked at commissioning - 44°C = Bath and 39°C Shower.

**Adequate hot water storage must be available- a standard Contour is less than 230 litres in volume.**

The boiler must be plumbed in and worked to the correct temperatures before final commissioning can commence – if the water is not turned on, Kingkraft can not complete the installation and commissioning and will charge for a return visit.

Simply position the hot and cold supplies centrally at the tap end of the bath for connection to the flexible hoses provided.

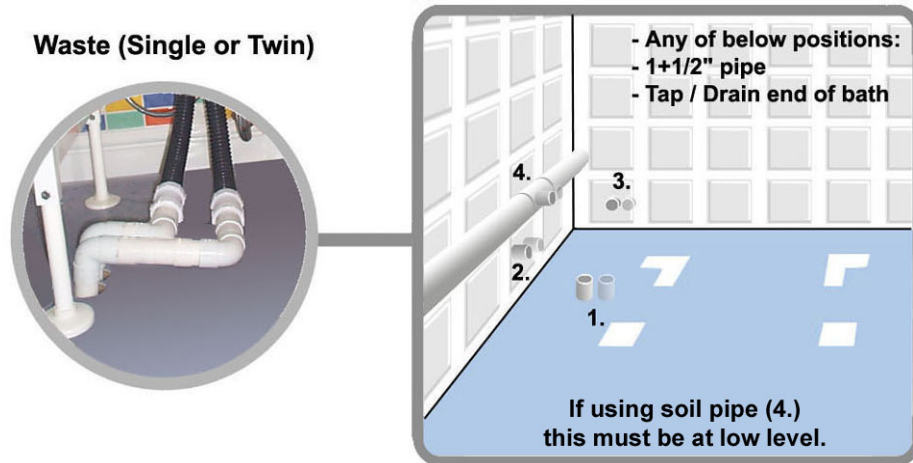


If you are in doubt as to position of pipework, please contact Kingkraft for further advice.

## DRAINAGE / WASTE PIPE

The bath can be supplied with either a single or twin waste (please check specification)

A rigid 40mm tail should be provided at low level (no more than 150mm above floor) at the tap/drain end of the bath. For the twin waste option two separate 40mm should be provided.



## ELECTRICAL REQUIREMENTS

The room in which the bath will be installed must comply with the latest electrical zoning / building regulations, a qualified electrical engineer should advise on this.

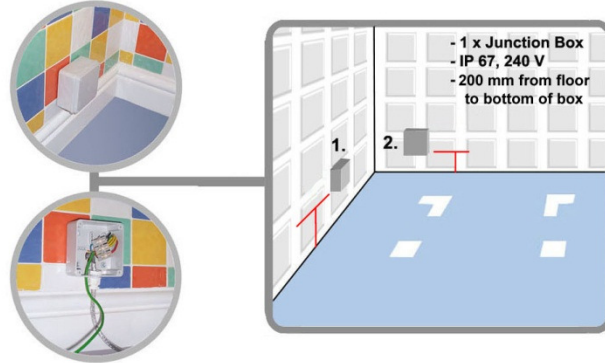
**Kingkraft will not be able to complete installation / commissioning of a bath unless an *Electrical Installation Certificate (Including Test Details covering the room in which the bath is to be installed)* is issued to the Kingkraft engineer prior to the work commencing. This certificate is normally held by the householder / property owner.**

This can only be supplied by a qualified electrician.

- Supply to be 230V, 50Hz, single phase and neutral on a fused spur. (a 5 amp fuse for only the raise / lower option, a 13 amp fuse if the supply is powering the additional whirlpool option as well)
- Supply protected by a suitably rated RCD with a 30mA trip supplying the bath installation only. Must be located in a suitable location within sight of the bath.
- Supply shall terminate at an agreed position, nominally 200mm above floor level, preferably at the 'non-drain' end of the bath.
- Supply terminates in an enclosure of IPX5/6 rating: enclosure to have facility for 'glanding off' using waterproof compression glands to preserve the IPX5/6 rating of the installation.
- Enclosure is 100mm x 100mm x 50mm in dimensions. Armoured cable is to be used with mains powered lifting columns / frames and whirlpool option connections.
- Final cable terminating at the bath SELV unit will be armoured via the braid protection of the cable; facility shall be left within the enclosure to accept the termination of the armouring as part of the installation earthing system.
- Accessible metallic parts of the bath and its frame are equipotential bonded, an earth connection close to hot and cold water supplies should be made available for the installer to connect to the bath framework and lifting columns via a flexible connecting bond.



**Waterproof Junction Box**



If you have any queries on the pre-installation requirements, please contact Kingkraft on the details below.

**Please ensure water is turned on and an electrical supply is in situ before you confirm with Kingkraft an installation date.**

Kingkraft Ltd, 26D Orgreave Crescent, Dore House Industrial Estate, Sheffield S13 9NQ  
phone 0114 2690697 fax 0114 2695145 email [info@kingkraft.co.uk](mailto:info@kingkraft.co.uk) web [www.kingkraft.co.uk](http://www.kingkraft.co.uk)