



Kingkraft

Instructions for use Leit Trolley and Leit Over Bath Changer



PLEASE READ INSTRUCTIONS BEFORE USE

CONTENT

GENERAL DESCRIPTION
IMPORTANT SAFETY INFORMATION
INSTRUCTIONS FOR USE
CLEANING
MAINTENANCE & WARRANTY
STICKERS

GENERAL DESCRIPTION

The Leit Trolley and Leit Overbath Changer are to be used in domestic and commercial properties. The easy lightweight foldable design means it's easy to store away when not in use and travel around with you to make changing and showering easier when you're not in your normal environment.

IMPORTANT SAFETY INFORMATION



NEVER LEAVE ANYONE UNATTENDED USING THE CHANGERS FOR ANY REASON

- Make sure the environment in which you intend to use the Leit Trolley and Changer has enough free space to manoeuvre in and that any steps, inclines, doorways or furniture will not impede safe use of the Trolley or Changer.
- Never attempt to force an incompatible or unapproved deck to fit your wheeled based trolley
- When folding and unfolding the changer/trolley, be careful not to trap or shear fingers, straps etc, between frames.
- Your trolley should have been delivered with side rails (additional option on overbath changer) It is essential that the side rails are attached and used with the Trolley to ensure safe use.
- Always carry out a risk assessment before placing the user on the Leit Changer/Trolley
- Never sit anybody on the edge of the changer-this could result in tipping
- Never load the head or foot ends of the changer more than the centre of the changer; doing so can result in instability and the unit tipping

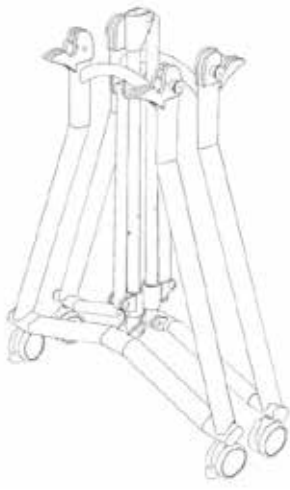


- Before any user transfer, make sure that the surrounding floor is dry and free of obstructions
- Ensure all 4 brakes are applied before moving a user onto the changer
- Always try to avoid large impacts to the Leit Trolley/Changer. Careless manoeuvring/pushing of the trolley/changer into obstructions can damage the paintwork and will shorten the lifespan of the unit.
- When the trolley/changer is set up, NEVER stand on any part of the deck or frame, in particular the Support Tube
- Never use the trolley/changer on inclines where it may be possible for the carer to lose control of the unit
- Do not attempt to move the unit with ANY of the castor brakes engaged. Doing so can damage the castor and/or brakes irreversibly
- Only use parts from Kingkraft. Incompatible parts can create hazards
- Any faults, defects, damage or excessive wear must be dealt with immediately-if not the trolley/changer should be taken out of service
- Never attempt to perform any maintenance. exchange parts or disassemble the Leit with a person (or weight) on it

Instructions for use

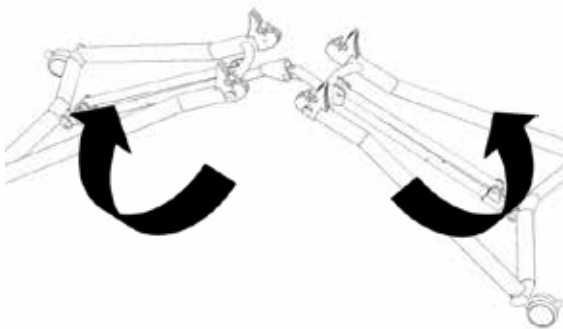
Setting up your Leit Trolley

Unpack Unit:



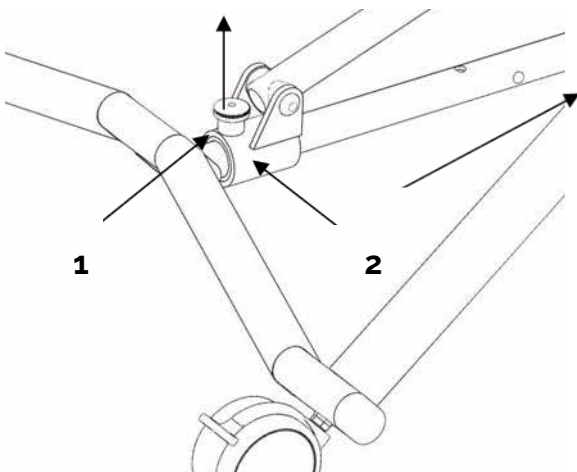
Remove the Leit Trolley frame, x2 side rails and your changer top any any other accessories from the box. Check everything is present and free from any damage. If you think that anything is missing from your order, contact Kingkraft.

Unfold the trolley:



Unfold the trolley as shown in the picture. The trolley should now be lying flat.

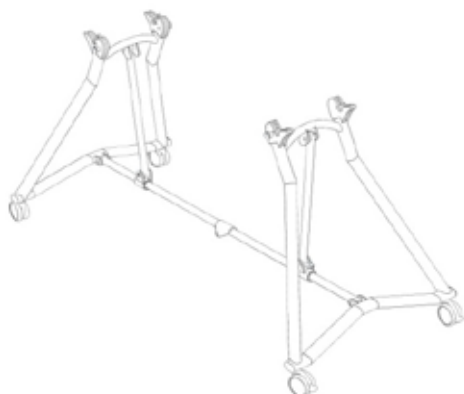
Unfold the legs:



Release leg slide: Pull up catch '1' to release the slide. Pull the slide as far as it will go towards the centre hinge, then you should hear it 'click' and lock into place.

Repeat the above procedure for the opposite legs.

The Unfolded trolley:



Your trolley should look like this illustration at this point.

Apply brakes to all 4 castors, and then pull each of the 4 changer release knobs to ensure the catches are ready to receive the changers.

Install Changer:



There are two members which locate across the two latches on each of the trolley legs.

This step will vary slightly depending on which model you have. If you are unsure seek advice from Kingkraft.

Keep the ends of the changers folded over so you can clearly see what you are doing. Guide one of the changer bars onto one side of the trolley. You can rest the changer across the catchers whilst you position the changer.



Changer Feet

The changer bar is fitted with feet-these should locate either side of the each catch. This ensures that the changer is central on the trolley frame. Once you have positioned one side of the changer, push it down in to the latches. This will rotate and lock once the changer bar is in place -continue to press until you hear both latch plates 'click' into this locked position. Check the changer is secure in both catches.



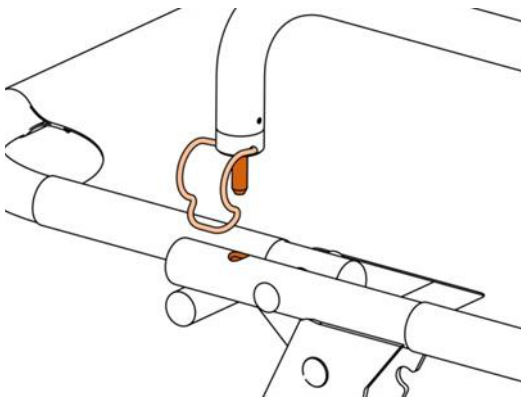
Not secure



Secure

Move to the other end of the trolley, repeat the process and check again that all 4 latches are locked and the changer is firmly secured.

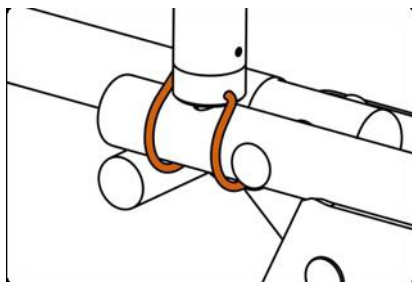
Installing side rails: (if applicable)



Lift the side rail clips (they should stay open) and then insert the pins on the either end of the side rail into the locator holes on your trolley frame. The spring clips must be on the outside of the unit.

If you intend to place the user onto the Changer before fitting the side rail, it is advisable to lift the spring clips on the safety rail to the open position before moving the user. This will make locating the side rail easier and faster.

Once both pins are fully inserted, lower the spring clips back down. Ensure they locate fully underneath the tube that the pin passes through. This will prevent accidental removal.



Fit the side rail on the far side of the deck (furthest away from you) at this point. Before fitting a side rail on the front of the unit, it is advised that this is done after the user is placed on the deck, to reduce your required lifting height. However, this is at the discretion of the carer.

You should have the side rail ready, and be familiar with how to fit the side rail before placing any user onto the unit.

You should always ensure that the rails are undamaged, still fit onto the changer and the spring clips still function correctly each time before placing anybody onto the unit.



Your Leit Trolley is now fully ready for use!

If your Leit Trolley has an 'Over Bath Changer Top'

You might have purchased a Leit Trolley that comes complete with additional legs that allows the changer to be used on top of a bath as well as a trolley (it will look like the picture below). If so, please follow these instructions for installation.

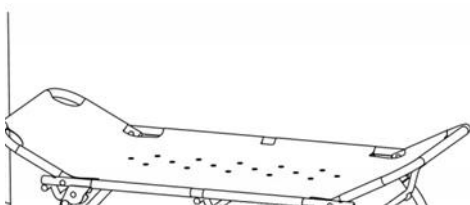


When using the Over Bath Changer with the trolley, these additional legs do not to be unfolded.



Legs remain folded

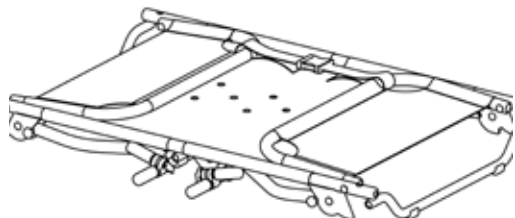
The changer then needs to be fitted to the trolley in the same fashion as before.



Once you are satisfied that the changer is secure to the trolley and safe to use, unfold both ends so they are lying flat.

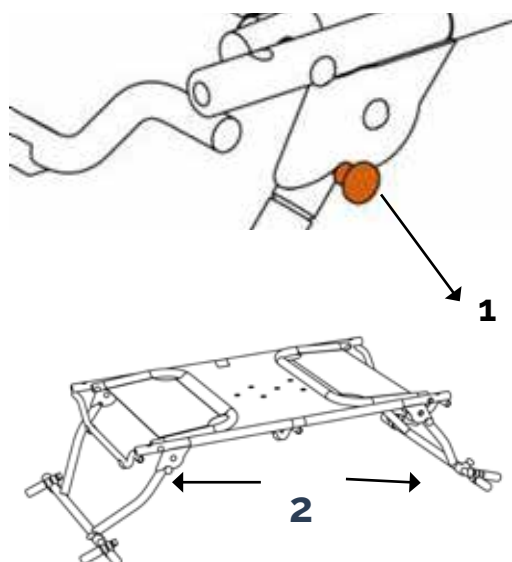
Leit Over Bath Changer-Instructions for Use

Unpack Unit:



Remove the Leit Shower Changer (over bath) and any accessories from the box. Check everything is present and there isn't any damage.

Unfold the legs:

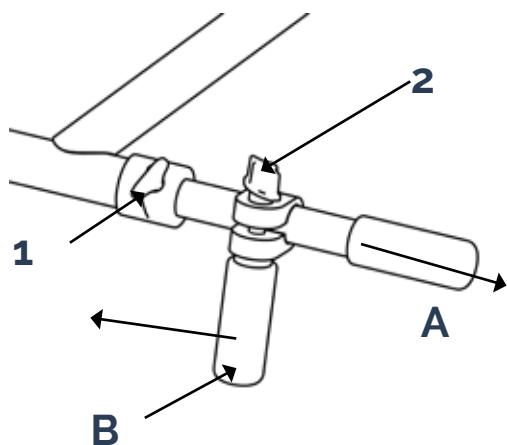


Make a note of the front side of the unit; the printed text on the changer is readable from the front, and the leg release plungers are only on the front side.

Pull the leg release plunger until the leg becomes free. Rotate the leg as shown until the leg release 'clicks' into its locked position.

Repeat this for the opposite leg. Ensure the legs are both locked in place before proceeding.

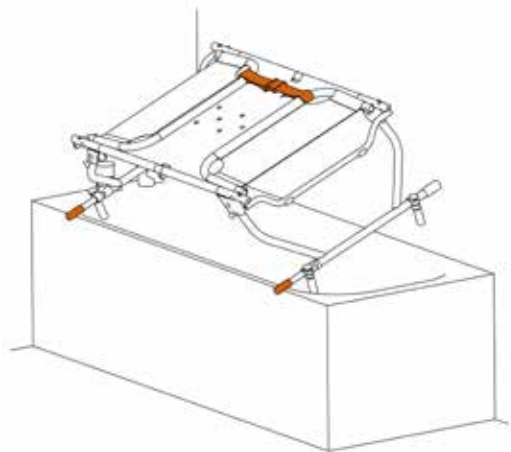
Operation of Bath-Top Adjusters:



Extend the Adjustable Bath Top Rests to their maximum length; release Thumbscrew '1' which should allow 'A' to slide freely. Pull part 'A' as far as it will go in the direction shown, then tighten thumbscrew '1'

Locate the Internal Adjuster Feet out of the way; release Thumbscrew '2' which should allow 'B' to slide freely. Position part 'B' as far as it will move towards the centre of the Shower Changer (in direction shown) The tighten Thumbscrew '2'. Repeat this with Internal Adjuster Foot on the opposite side of the changer.

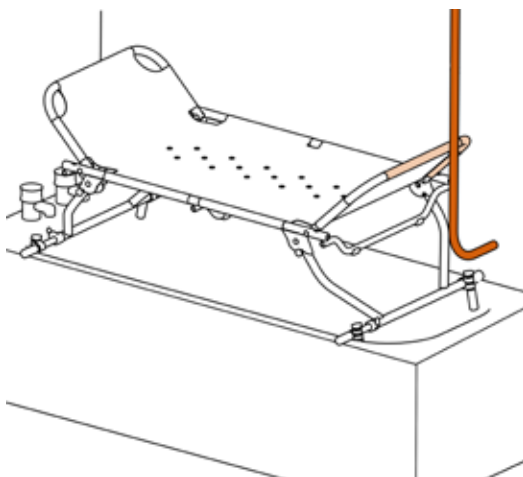
Place unit on the Bath:



Place the adjustable Bath - Top rest on the edge of the bath nearest to you, and then lower the unit across the bath as shown.

Once the unit is resting on the bath, ensure that all the bath - top rests are supported by at least 50mm (ap prox 2 inches) on either side of the bath top. These are not adjusted until the changer is on the bath. **DO NOT USE UNTIL SECURE!**

Check for obstructions:

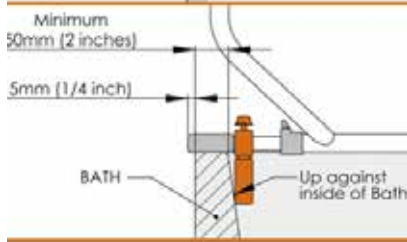
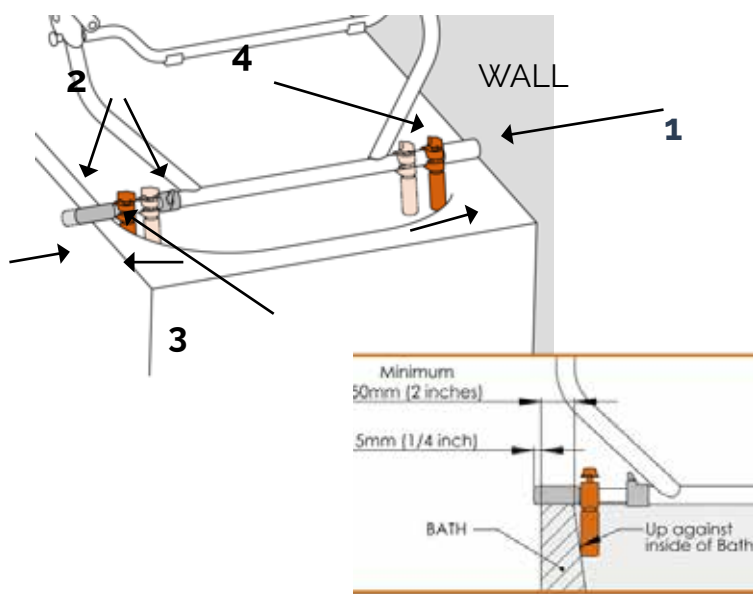


Unfold the deck to check clearance around the unit before you secure it in place. Check for clearance above taps and grab - handles, around any shelves or shower screen, walls and any additional shower fixings.

You must be able to have all four bath top rests resting on the bath and the changer fully unfolded before using the Leit Shower Changer.

If there are any obstructions, fold the changer back up and secure the unit in place as in the following step.

Secure the Leit Shower Changer:



- Ensure that the fixed bath top rest is against a wall (if no wall is present, the rest should overlap the bath-top by approximately 5mm, or 1/4 inch)

Repeat on other leg

- Loosen the thumbscrew for the Adjustable Bath-top rest, and slide the Rest in until it overlaps the bath by approximately 5mm, or 1/4 inch. Re-tighten the thumbscrew.

Repeat on other leg

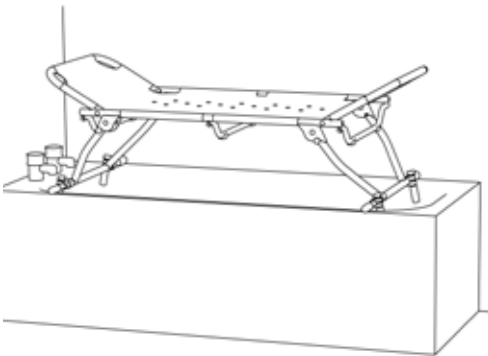
- Loosen the Thumbscrew that secures the nearest Internal Adjuster Foot to you, and position it so it is pressed up against the side of the bath. Re-tighten the thumbscrew.
- *NOTE - on some thin-walled baths, it may be necessary to extend the adjustable bath top foot beyond the bath by more than 5mm approx (1/4 inch) in order for this Internal Foot to press against the side of the bath.*

Repeat on other leg

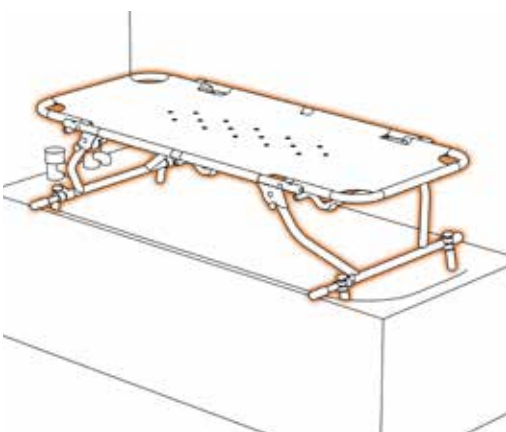
- Loosen the Thumbscrew that secures the Far Internal Adjuster Foot, and position it so it is pressed up against the inside of the bath. Re-tighten the thumbscrew.

Repeat on other leg

- Check that the shower changer is secure: re-check all thumbwheels are still tight, all feet are still tightly pressed up against the bath, and that the unit will not move or slide around on the bath.



Once you are satisfied that the unit is secure on the bath and safe to use, unfold the changer so both sides are laying flat.



Your Leit Shower Changer is now fully ready for use and should look like the picture shown.

Cleaning

1. If the changer has been used in a shower environment, rinse off any soap or residue off the changer and the trolley base. If it has only been used in a dry environment, it may just need a wipe down with a damp cloth.
2. Remove the side rails and any other accessories.
3. Remove excess moisture from the vinyl with a towel and fold the head/foot ends over.
4. Turn each castor so that the brake pedal is facing away from the centre of the trolley and apply all brakes.
5. Release the catches on one end of the trolley-the latch plates should spring open, and the support tube of the changer should still rest on the trolley.
6. Move to the opposite end of the trolley and repeat step 5. You should now easily be able to lift the changer off the trolley.
7. Store the changer in your bag (if applicable)
8. Lift the slide release on one of the slides, and move the slide as to fold the legs flat.
9. Repeat this with the opposite slide and legs.
10. Fold the trolley in half by the centre hinge.
11. Remove any excess moisture from the unit with a towel or a cloth.
12. In order to keep the Trolley and Changer in good working order, it should be kept in a clean and dry environment. It should be rinsed with warm water after it has been used in a shower environment, or otherwise simply wiped with a damp cloth and dried with a towel each time.
13. NEVER use bleach or cleaning agents containing bleach on your Leit Changer or Trolley
14. Don't use any abrasive substance or cleaning agent. Doing so will damage the surface finish and reduce product life.

Maintenance and Warranty

Your Kingkraft product comes with a 24 month warranty - we recommend that a visual inspection is carried out before each use.

The Leit Shower Changer and Trolley should be thoroughly inspected by suitably trained personnel;

- At least once a year
- After long periods of inactivity
- If a fault or damage has been reported or found with the unit
- If any user raises concerns about the functionality of the unit.

Stickers

Below are the stickers you will find on your Leit Product, make a note of the serial number for future reference.



Leit Changer and Trolley - LSC+LT IFU Issue 3 10/19



Kingkraft Ltd 26D Orgreave Crescent, Dore House Industrial Estate, Sheffield, S13 9NQ Phone
0114 2690697 email info@kingkraft.co.uk web www.kingkraft.co.uk

