



Pre-install Advice & Installation Guide

Glide Care Basin



0114 2690697

www.kingkraft.co.uk

IMPORTANT NOTICE: This document must be forwarded to your building contractor or project manager to ensure the site is prepared correctly. Any critical preparations that have not been completed correctly will delay installation, and may result in additional costs.

Glide Care Basin

Pre-installation Contents



- 04 Introduction
- 05 Access & Room Checks
- 06 Water Requirements For Your Plumber
- 07 Water Pressure & TMV Requirements
- 08 Basin Positioning & Installation

Glide Care Basin

Introduction



This product pre-installation guide has been issued to provide all the important details you need ahead of a Kingkraft Glide Basin being installed. All the points in this guide require attention. It is essential that this guide is passed to the building contractor or project manager ahead of the product installation. In addition, water feeds and waste will require installation by an appropriate trades person.

If any of the critical instructions are not followed correctly or completed on time, this could delay installation, and additional charges may apply.

Kingkraft are here to help and we want to help our installers and dealers get it right the first time. If you are unsure about any section of this guide, or require clarification, please contact a member of the team using the contact details below:

Kingkraft Ltd 26D Orgreave Crescent, Dore House Industrial Estate, Sheffield, S13 9NQ	+44 (0)114 269 0697 info@kingkraft.co.uk
---	---

As standard, Kingkraft products are fitted with Thermostatic Mixer taps to control the supply of hot and cold water to the product.

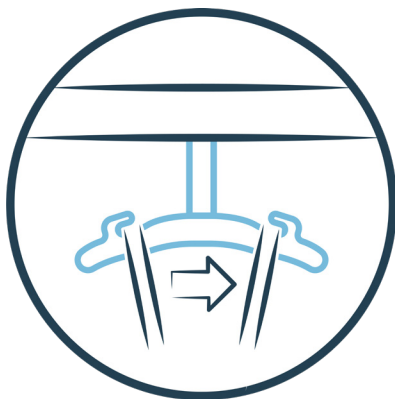
The below must be adhered to prior to installation:

- The basin must be installed onto a supporting wall.
- If the basin is to be fixed to a stud wall, strengthening should be pre-fitted at the fixing hole locations, or the wall ply lined to a minimum of 18mm.
- If a thermostatic mixing valve / tap has been included to limit the hot water supply temperature, this **MUST** be set up correctly or else there could be a danger of scalding.
- In addition to required plumbing, hot & cold water needs to be present and switched on. This is to enable the engineer for correctly fit and commission the thermostatic tap at the correct temperature.
- The room should be adequately ventilated to reduce humidity and moisture in the air.
- This basin must be installed in such a manner as to allow free movement through the whole of its travel without straining connected pipes or wires, or colliding with other objects.

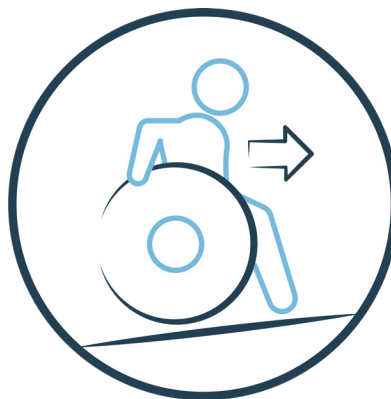
Glide Care Basin Access & Room Checks



Always consider the following points when deciding on a suitable location to install the basin:



Hoist Access



Wheelchair Access



Maintenance & Cleaning Access



Doorway Access



Distance away from walls and equipment



In-wall obstructions. Inc: water/heating pipes and electrical cables

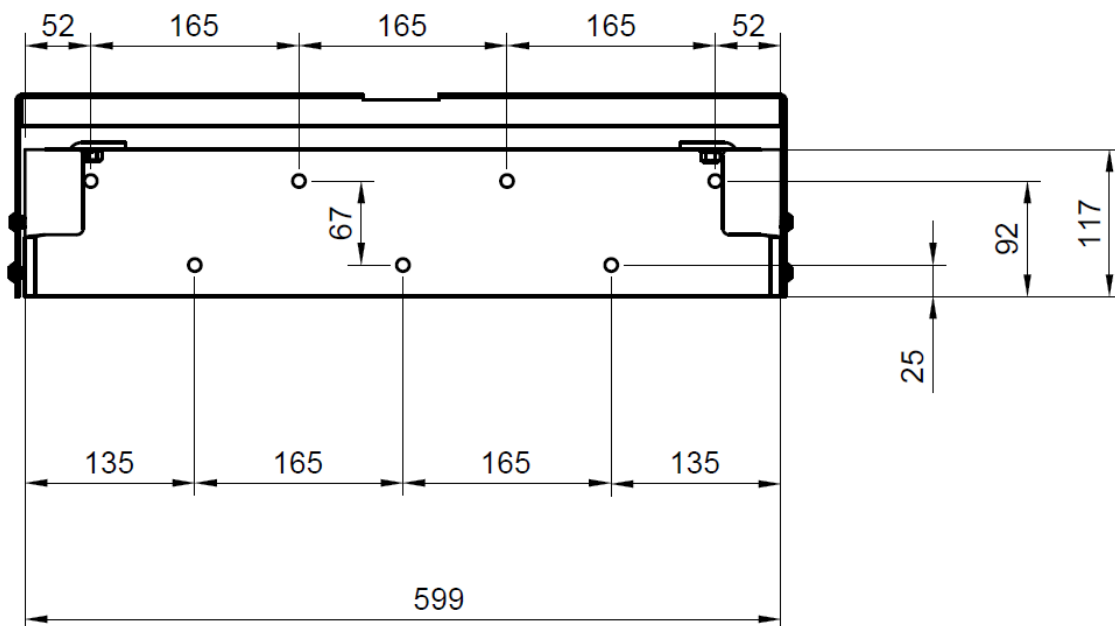
Water Requirements For Your Plumber



Pipework (Refer to drilling template included)

We require hot and cold feeds (15mm copper) coming out of the walls underneath where the fixing bracket is positioned.

These feeds should have an angled isolation valve pointing upwards. We also require a 32mm solvent pipe in the specified location. Refer to the next section for more information about installation of the product and connecting the feeds and waste.



Recommended Fixing Types:



Rawl / Anchor Bolts -
eg. Concrete / Solid Block



Chemical Fixing -
eg. Perforated Brick



Coach Screws -
eg. Wood

Water Pressure & TMV Requirements For Your Plumber



Kingkraft follow the TMV anti-scalding scheme which is a legal requirement. Therefore, thermostatic taps must be supplied with the basin. Please get in touch if the property already has Inline TMV valves. The use of TMV thermostatic taps may limit flow and extend filling time of the basin. Ensure this information is supplied to your plumber as pipework alterations may be required.

Our Glide Basin range of products are supplied with taps which have the following pressure and temperature requirements:

Pressure Requirements

Maximum static pressure: 10 bar (1000 kPa).

Minimum pressure loss: 0.2 bar (20 kPa)

Hot and cold pressure should be nominally equal (max differential 3:1 either way).

Minimum flow rate: 10 L/min.

Temperature Range

Factory pre-set shower: Min 30°C, Max 41°C, Default 38°C.

Factory pre-set bath: Min 30°C, Max 44°C, Default 40°C

Programmable range: Min 30°C - 47°C, Max 33°C - 50°C and Default 30°C - 50°C.

Minimum blend temperature differential from hot supply: 2°C.

Optimum thermostatic control range: 30°C - 50°C.

Cold water range (recommended): 1°C - 20°C.

Hot water range (recommended): 50°C - 65°C (85°C during disinfection).

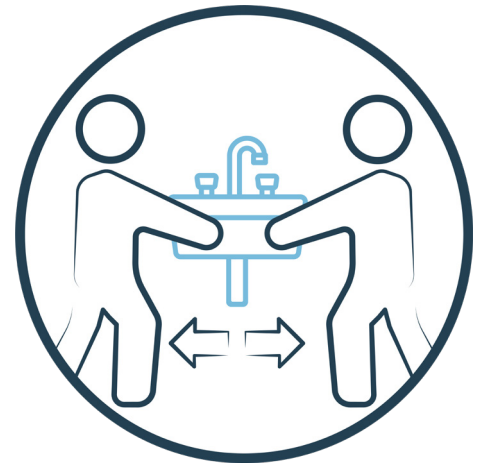
Temperature stability: $\pm 1^\circ\text{C}$ for recommended supply conditions.

Ambient Temperature. Greater than 1°C, max. 40°C.

Maximum Relative Humidity. 95% non-condensing.

TAKE NOTE: In addition to the required plumbing, hot & cold water needs to be present and switched on when the installation is taking place. This is to enable the engineer for correctly fit and commission the thermostatic tap to the correct temperature.

Basin Frame Positioning & Installation

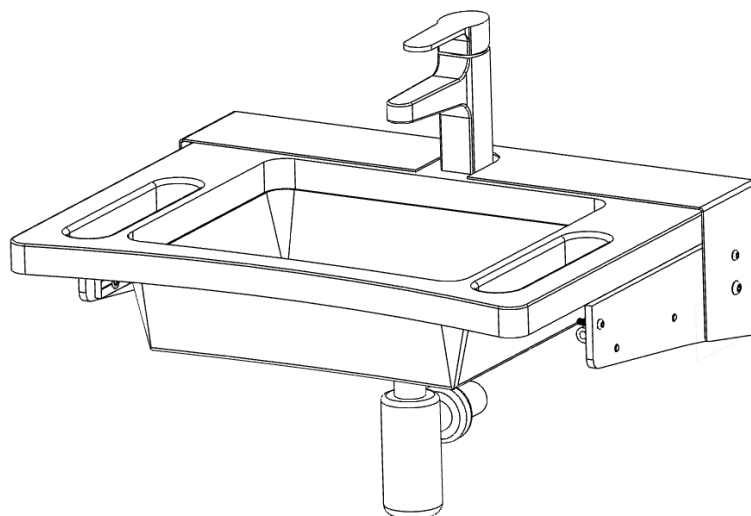


Installing the sink and set up

Ensure that appropriate fixings are used and installation is done by a competent person.

Ensure the wall is sufficiently strong enough and the pipework is in the correct location as detailed on the previous page.

- 1) Place the frame in situ and mark the fixing holes for drilling. Put in the appropriate fixings if they are required at this point (e.g rawl plugs).
- 2) Lift the framework into place and attach to the wall using appropriate fixings. We recommend two people do this.
- 3) Attach your chosen tap to the basin with flexible tails attached. Attach plug and bottle trap to basin.
- 4) Attach basin to framework and ensure all fixings are tightened.
- 5) Connect up flexible water feeds to incoming hot and cold. Connect flexible waste to 32mm solvent waste on the wall.
- 6) Maneuver the basin in and out several times with water running to ensure smooth quiet operation and no kinks in the pipework. If there is any snagging or kinks remove the top cover, reposition pipework (cables ties can be useful for this), reconnect covers and re-test.





www.kingkraft.co.uk