



Pre-install Advice & Installation Guide

Assist Classic Basin



0114 2690697

www.kingkraft.co.uk

IMPORTANT NOTICE: This document must be forwarded to your building contractor or project manager to ensure the site is prepared correctly. Any critical preparations that have not been completed correctly will delay installation, and may result in additional costs.



Assist Classic Basin

Contents



- 04 Introduction
- 05 Access & Room Checks
- 06 Simplified Mounting Guide
- 07 Electrical Requirements For Your Electrician
- 08 Water Requirements For Your Plumber
- 09 Water Pressure & TMV Requirements
- 10 Basin Positioning & Installation
- 12 Remote Control Pairing Instructions

Assist Classic Basin Introduction



This product pre-installation guide has been issued to provide all the important details you need ahead of a Kingkraft Assist Classic Basin being installed. All the points in this guide require attention. It is essential that this guide is passed to the building contractor or project manager ahead of the product installation. In addition, water feeds, waste and an electrical spur will require installation by an appropriate trades person.

If any of the critical instructions are not followed correctly or completed on time, this could delay installation, and additional charges may apply.

Kingkraft are here to help and we want to help our installers and dealers get it right the first time. If you are unsure about any section of this guide, or require clarification, please contact a member of the team using the contact details below:

Kingkraft Ltd 26D Orgreave Crescent, Dore House Industrial Estate, Sheffield, S13 9NQ	+44 (0)114 269 0697 info@kingkraft.co.uk
---	---

As standard, Kingkraft products are fitted with Thermostatic Mixer taps to control the supply of hot and cold water to the product.

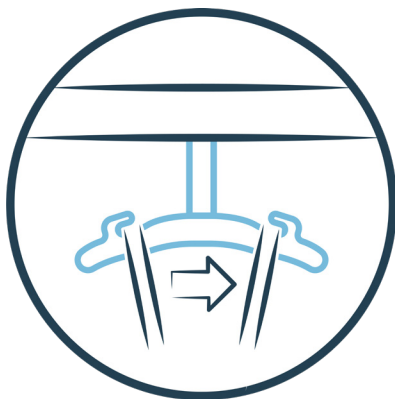
The below must be adhered to prior to installation:

- The basin must be installed onto a supporting wall.
- If the basin is to be fixed to a stud wall, strengthening should be pre-fitted at the fixing hole locations, or the wall ply lined to a minimum of 18mm.
- In addition to required plumbing, hot & cold water needs to be present and switched on. This is to enable the engineer for correctly fit and commission the thermostatic tap at the correct temperature..
- If a thermostatic mixing valve / tap has been included to limit the hot water supply temperature, this MUST be set up correctly or else there could be a danger of scalding.
- This basin requires an electrical supply to allow it to be height adjustable; the supply must be installed by a competent electrician to the latest standard for electrical installation in bathrooms (further information on requirements can be found later in this manual)
- The sink is designed to be height adjustable, therefore this determines where it is located in the room so that surrounding walls or objects will not obstruct the safe travel of the basin. Also be aware that anything close by can create a trapping hazard for carers and users of the basin.
- The room should be adequately ventilated to reduce humidity and moisture in the air.
- This basin must be installed in such a manner as to allow free movement through the whole of its travel without straining connected pipes or wires, or colliding with other objects.

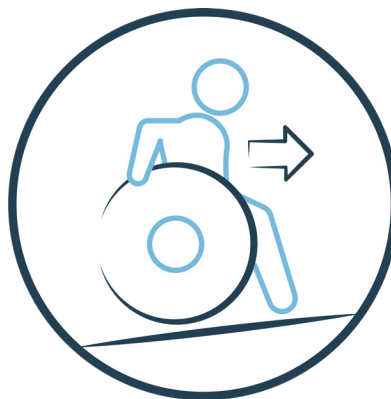
Assist Classic Basin Access & Room Checks



Always consider the following points when deciding on a suitable location to install the basin:



Hoist Access



Wheelchair Access



Maintenance & Cleaning Access



Doorway Access



Distance away from walls and equipment



In-wall obstructions. Inc: water/heating pipes and electrical cables

Basin Frame Simplified Mounting



Simplified Mounting Guide

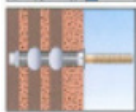
When preparing wall reinforcements and general pipework routing, the dimensions below provide a simplistic guide to work to. All measurements are taken from floor level.

When mounting the basin and locating pipework, please refer to the advanced layout guide on the following pages.

Recommended Fixing Types:



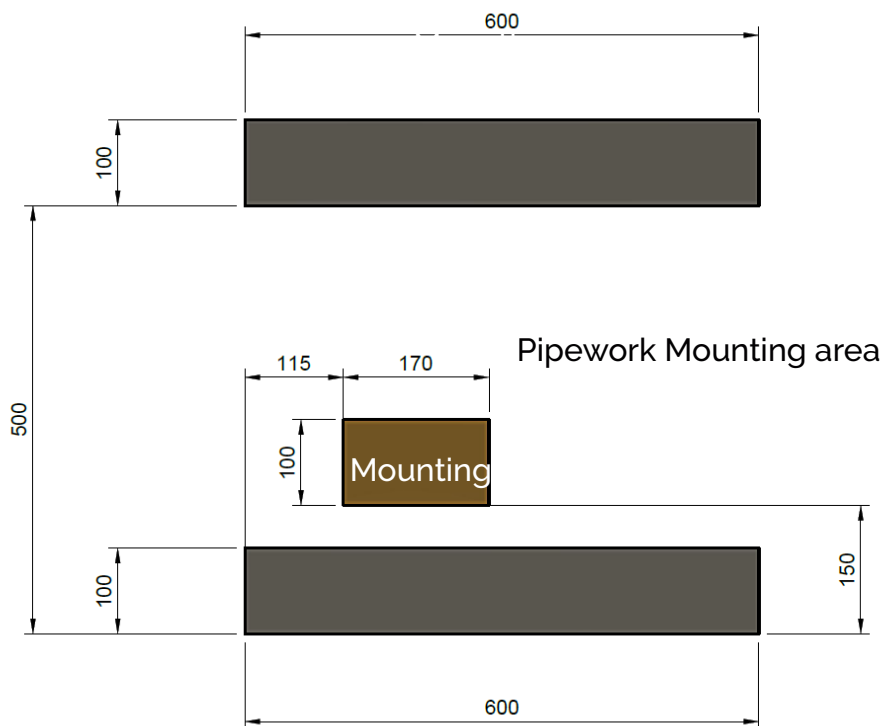
Rawl / Anchor Bolts -
eg. Concrete / Solid Block



Chemical Fixing -
eg. Perforated Brick



Coach Screws -
eg. Wood



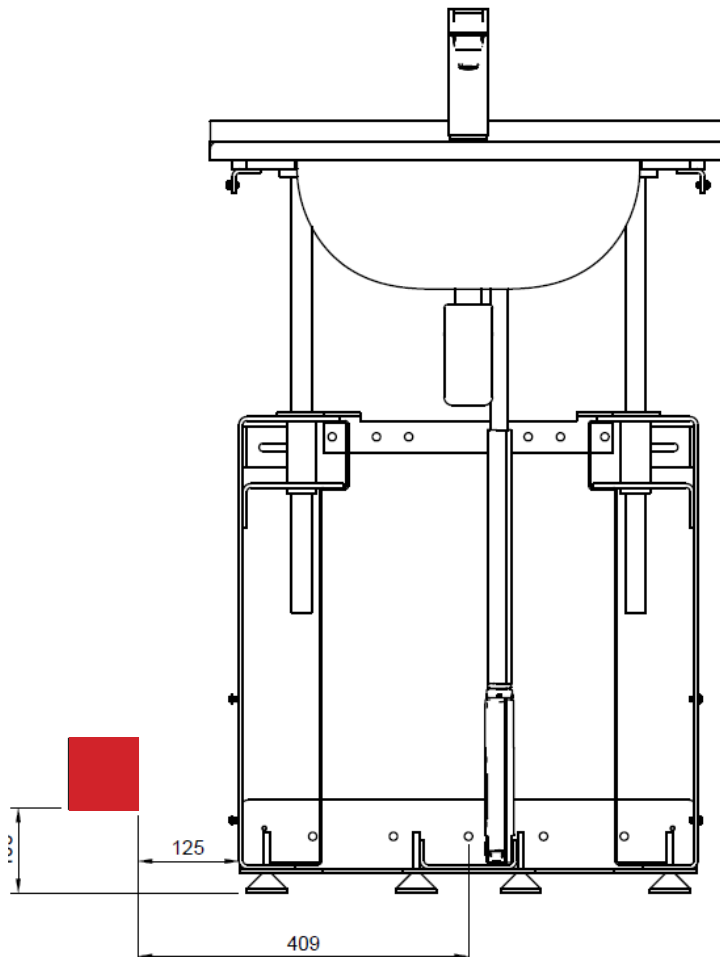
Electrical Requirements For Your Electrician



A 230V, 50hz, single phase and neutral supply is required in one of the two positions shown. If the supply is outside the basin unit, there should be in a IP65/66 waterproof junction box (80mm x 80mm x 52mm or similar) with a 20mm IP rated gland for the basin flex to enter the box. If the supply is to be hidden, a flex outlet plate should be used.

This supply should be able to be isolated by a separate 5amp fuse spur at high level or outside the bathroom observing all zoning regulations. A junction box should not be placed inside the covers as this may impede movement and cause damage to the pipe work or frame. If the cable is to be passed through the wall to a spur on the other side then the hole should be out of the way of pipework and the cable tidied in a way that does not cause it to snag. Please note: the electrical cable exits the basin lifter on the right hand side as you are looking at the basin. If you are unsure on any aspect please contact Kingkraft.

PLEASE NOTE: If you are NOT using the adjustable feet as your base plate is sat direct on the floor, then you must ensure that the electrical cable is chased into the wall to pass around the guard covers.



Water Requirements For Your Plumber

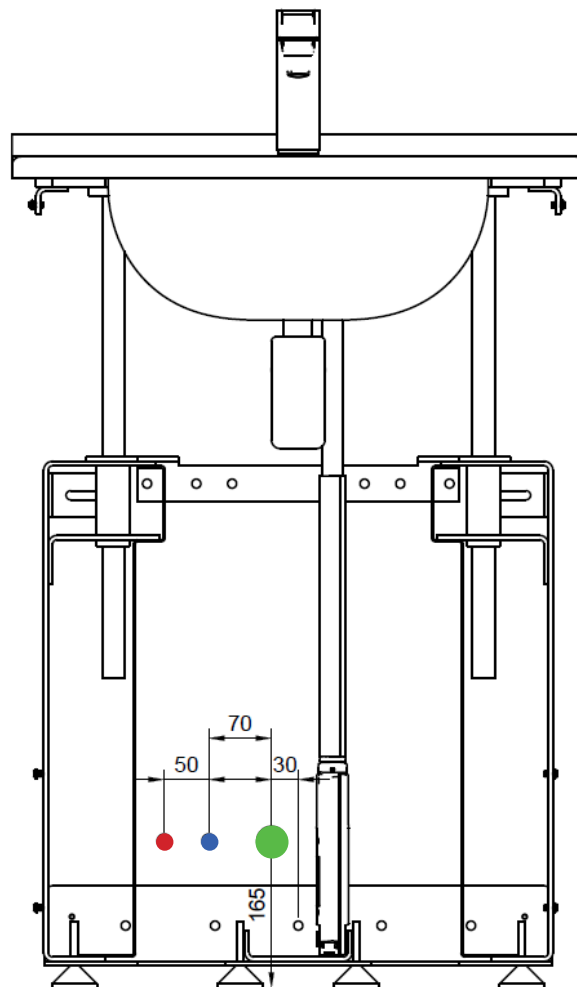


Refer to drilling template included.

Pipework

We require hot and cold feeds (15mm copper) coming out of the walls in positions shown in the diagram shown. These feeds should have an angled isolation valve pointing upwards. We also require a 32mm solvent pipe in the specified location.

Failure to follow these instructions may impede the movement of the basin and cause damage to the basin and pipes. Measurements are taken from centre line of basin lifting frame.



Water Pressure & TMV Requirements For Your Plumber



Kingkraft follow the TMV anti-scalding scheme which is a legal requirement. Therefore, thermostatic taps must be supplied with the basin. Please get in touch if the property already has Inline TMV valves. The use of TMV thermostatic taps may limit flow and extend filling time of the basin. Ensure this information is supplied to your plumber as pipework alterations may be required.

Our Assist Basin range of products are supplied with taps which have the following pressure and temperature requirements:

Pressure Requirements

Maximum static pressure: 10 bar (1000 kPa).

Minimum pressure loss: 0.2 bar (20 kPa)

Hot and cold pressure should be nominally equal (max differential 3:1 either way).

Minimum flow rate: 10 L/min.

Temperature Range

Factory pre-set shower: Min 30°C, Max 41°C, Default 38°C.

Factory pre-set bath: Min 30°C, Max 44°C, Default 40°C

Programmable range: Min 30°C - 47°C, Max 33°C - 50°C and Default 30°C - 50°C.

Minimum blend temperature differential from hot supply: 2°C.

Optimum thermostatic control range: 30°C - 50°C.

Cold water range (recommended): 1°C - 20°C.

Hot water range (recommended): 50°C - 65°C (85°C during disinfection).

Temperature stability: $\pm 1^\circ\text{C}$ for recommended supply conditions.

Ambient Temperature. Greater than 1°C, max. 40°C.

Maximum Relative Humidity. 95% non-condensing.

TAKE NOTE: In addition to the required plumbing, hot & cold water needs to be present and switched on when the installation is taking place. This is to enable the engineer for correctly fit and commission the thermostatic tap to the correct temperature.

Basin Frame Positioning & Installation

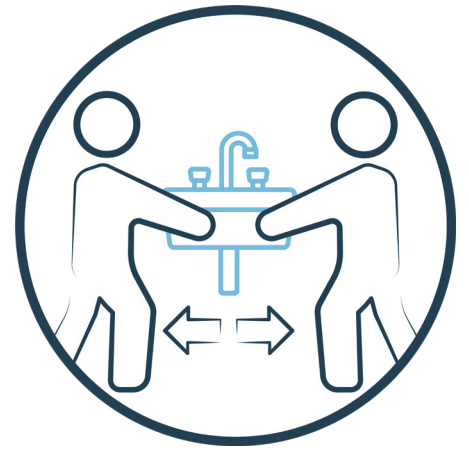


Figure 1 - Identifying mounting frame fixing hole positions

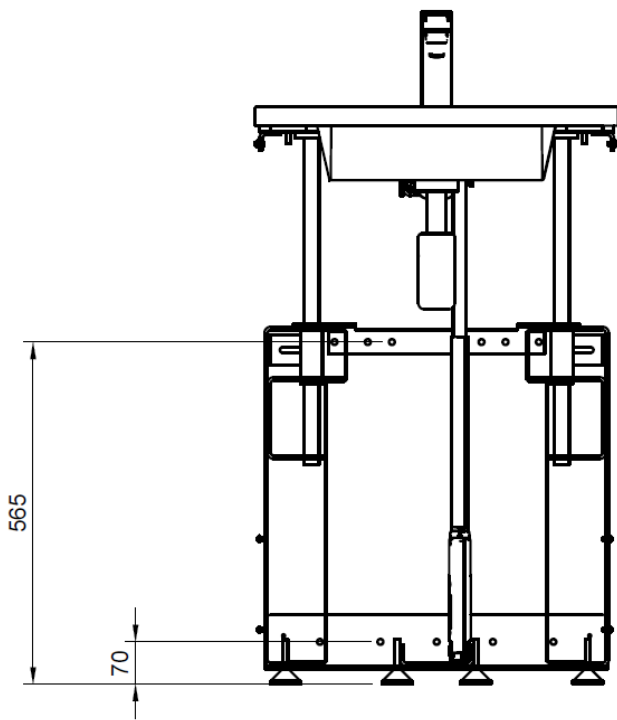
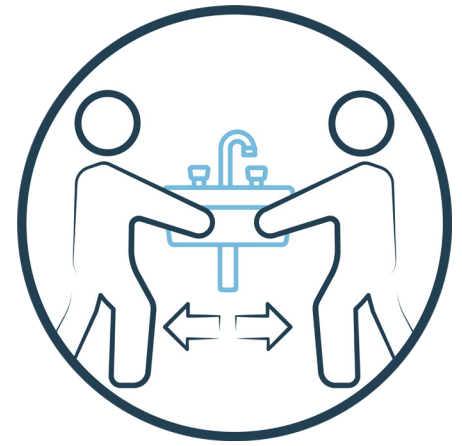


Figure 2 - Attaching the frame to the wall



Basin Frame Positioning & Installation



Installing the sink and set up

Ensure that appropriate fixings are used and installation is done by a competent person. Ensure wall is sufficiently strong enough and the pipework is in the correct location.

- 1) Place the frame in situ and mark the fixing holes for drilling. Put in the appropriate fixings if they are required at this point e.g rawl plugs (refer to figure 1).
- 2) Lift the framework into place and attach to the wall using appropriate fixings. We recommend two people do this as the basin and frame are top-heavy (refer to figure 2).
- 3) Attach the tap to the basin with flexible tails attached. Attach plug and bottle trap to basin.
- 4) Attach basin to framework and ensure all fixings are tightened.
- 5) Connect up flexible water feeds to incoming hot and cold. Connect flexible waste to 32mm solvent waste on the wall.
- 6) Connect power supply to cable. The cable should travel from the bottom of the frame, behind the adjustable feet. Run the basin up/down several times to ensure smooth route of travel and no collisions occur.
- 7) Attach lower cover.
- 8) Pass through flexible waste assembly through slot on the top cover.
- 9) Connect flexible waste to the bottle trap.
- 10) Run basin up/down several times with water running to ensure smooth quiet operation and no kinks in the pipework. If there is any snagging or kinks remove the top cover, reposition pipework (cables ties can be useful for this), reconnect covers and re-test.

Pairing Instructions For Bluetooth Remote



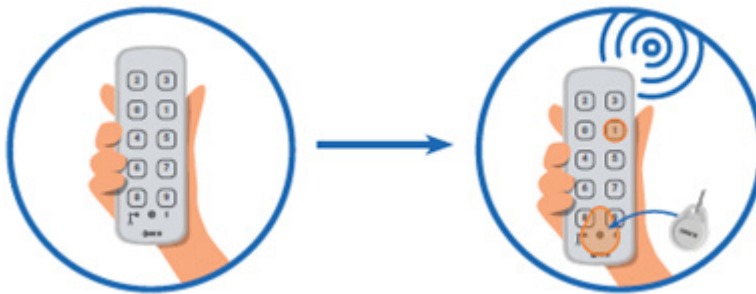
Your Assist basin is supplied pre-paired with a Bluetooth remote control. If you need to re-pair the controller with the basin, or you have taken delivery of a new remote control, simply follow the 3 steps below:

Direct Pairing to your Assist Range Basin

Your Assist Basin requires pairing to a new remote control prior to successful operation.

1. Entering Pairing Mode

Place the supplied magnet over the "hall" sensor element. Press and hold key number '1' for 3 seconds to enter pairing mode.



2. Move the hand controller close to the basin

Try to position the handset close to the control box on the underside of the basin.

3. Pair the controller with the control box on the basin

When in pairing mode, the control box buzzer will begin to beep, and the LED will begin to blink. The control unit LED will also begin to blink at the same rate as the control box.







www.kingkraft.co.uk