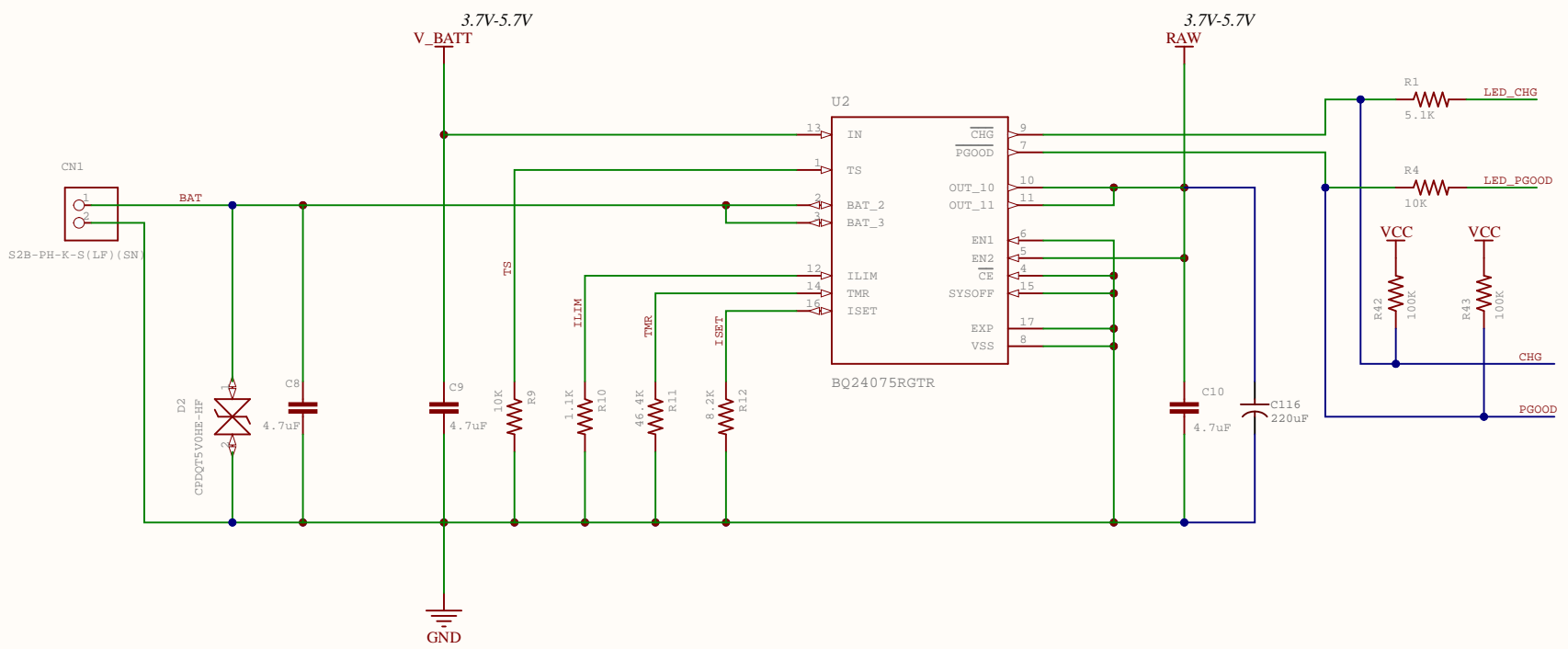


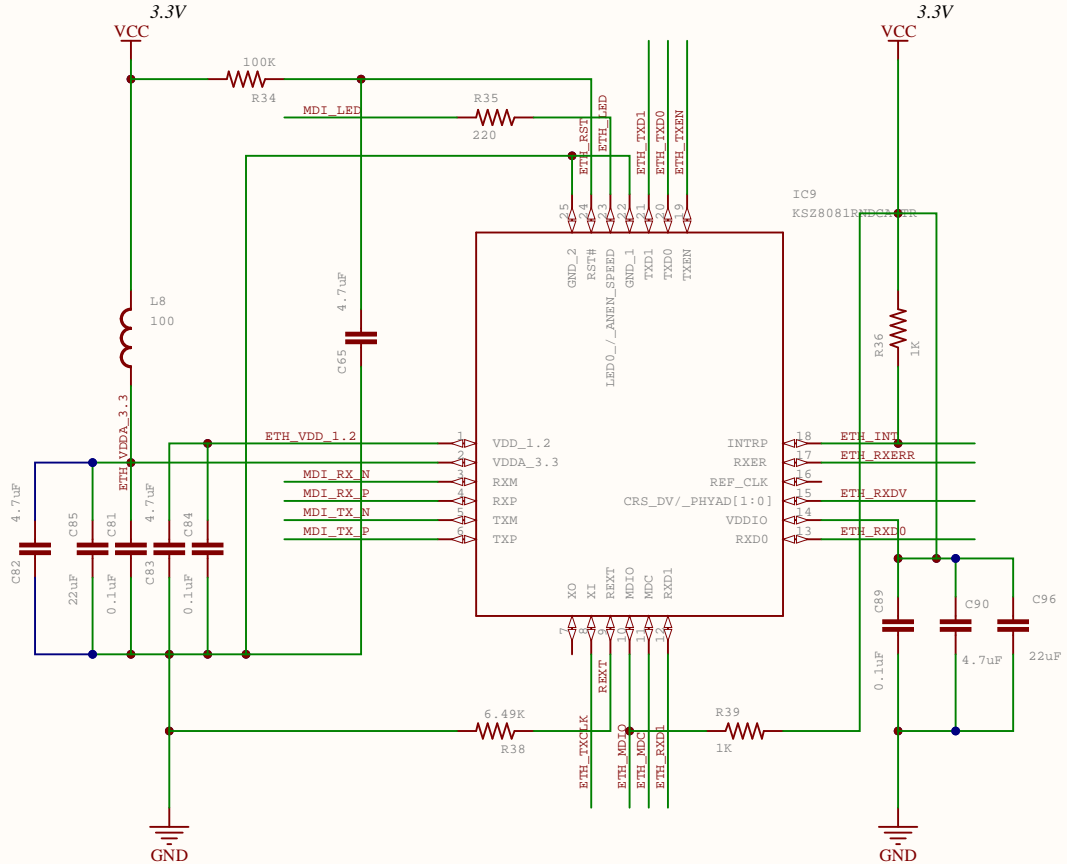
# Battery Charging



Title		
Size	Number	Revision
A		
Date:	9/28/2023	Sheet of
File:	battery-charging.SchDoc	Drawn By:

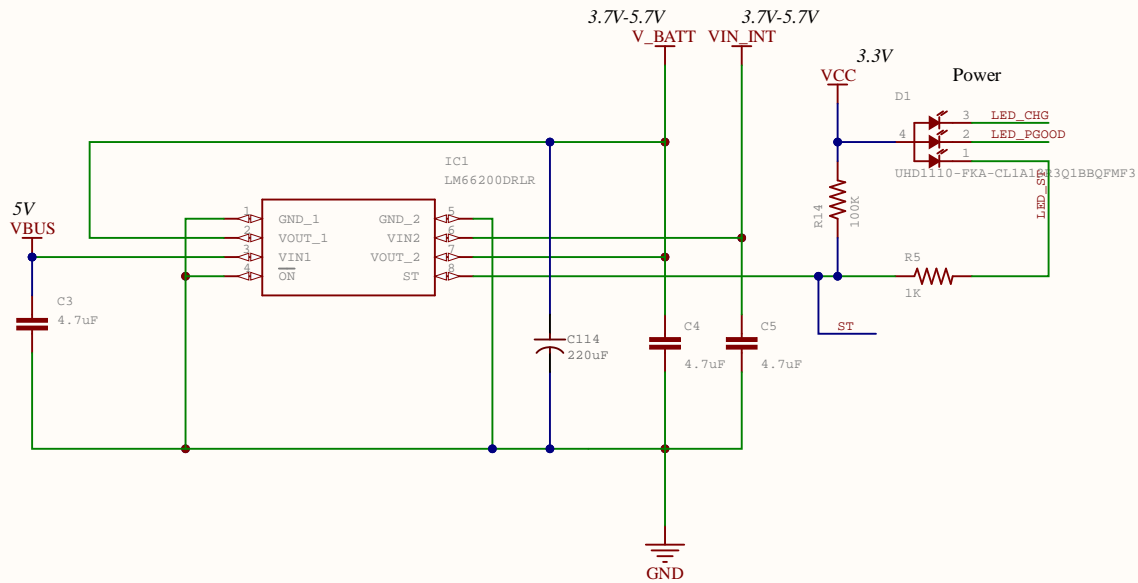
# Ethernet

\* 8KV ESD Protection on MDI pins and the LED pin



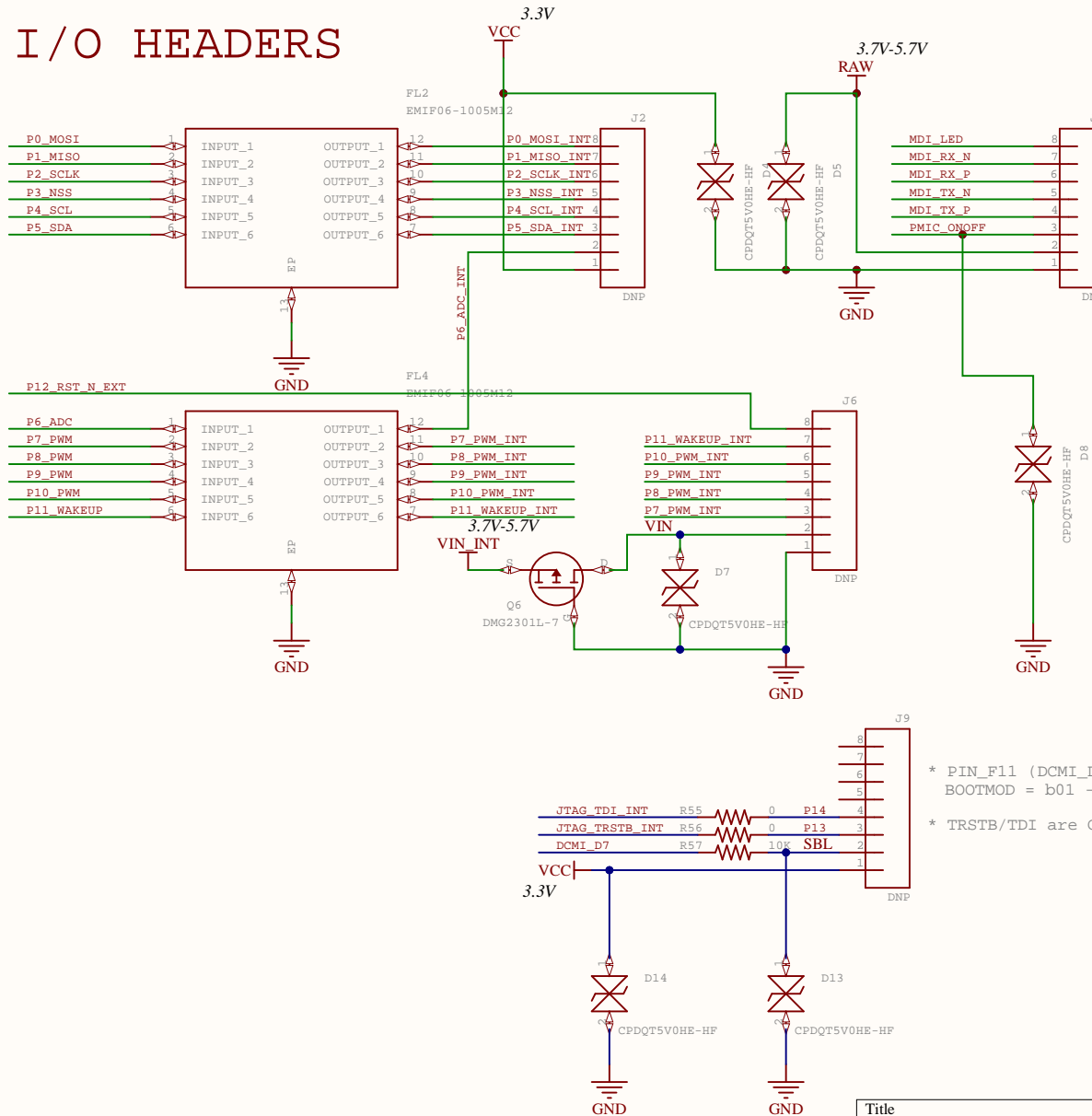
Title		
Size	Number	Revision
A		
Date:	9/28/2023	Sheet of
File:	ethernet.SchDoc	Drawn By:

# Ideal Diode



Title		
Size	Number	Revision
A		
Date:	9/28/2023	Sheet of
File:	ideal-diode.SchDoc	Drawn By:

# I/O HEADERS

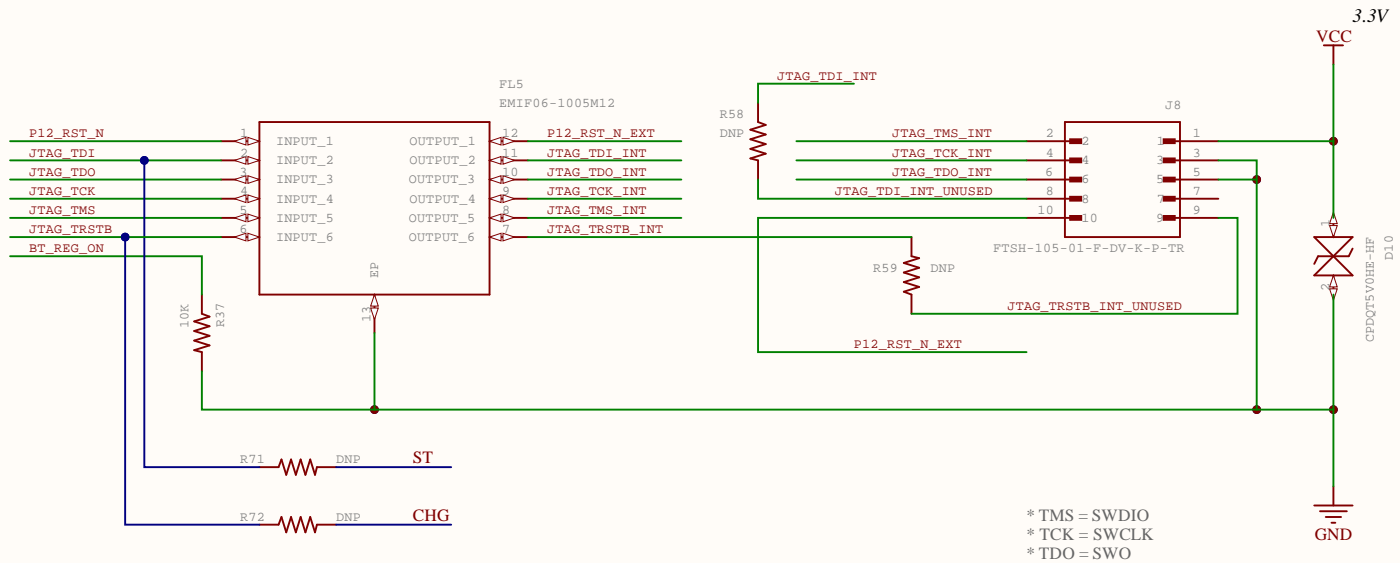


\* PIN\_F11 (DCMI\_D7) = BOOTMOD[0]  
 BOOTMOD = b01 -> SBL BOOT  
 \* TRSTB/TDI are GPIOs

Title		
Size	Number	Revision
A		
Date:	9/28/2023	Sheet of
File:	io-headers.SchDoc	Drawn By:

# JTAG

\* JTAG\_MOD is used for BT\_REG\_ON - the pin is sampled on the rising edge of reset and is pulled low by 10K

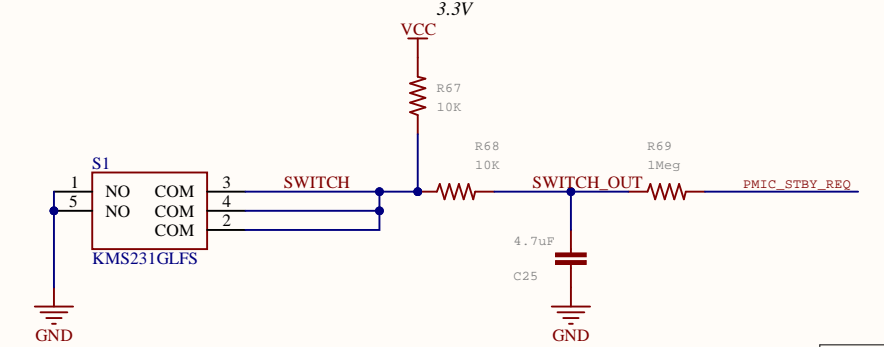
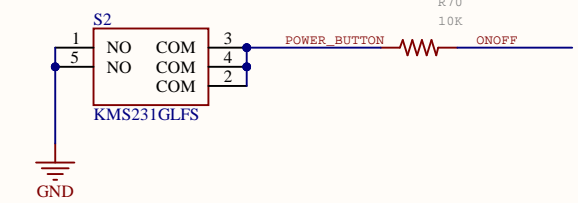
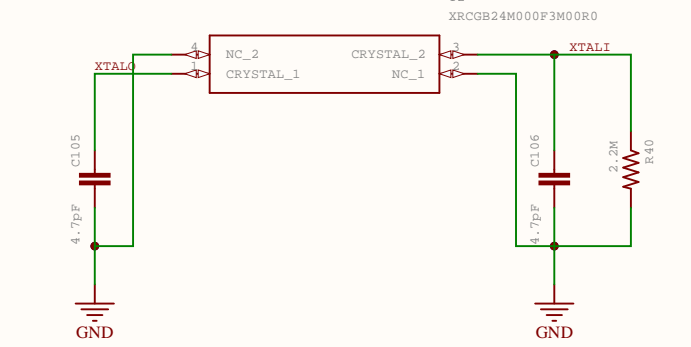
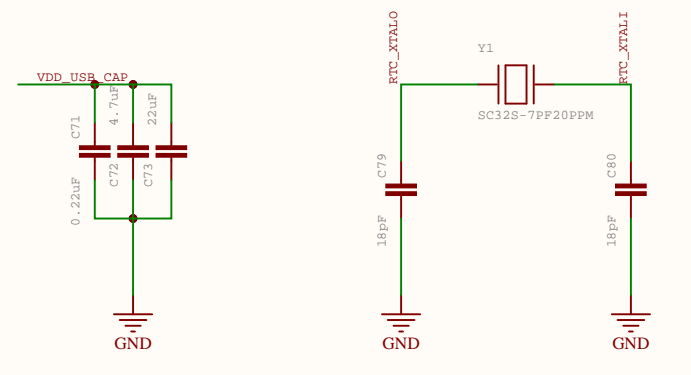
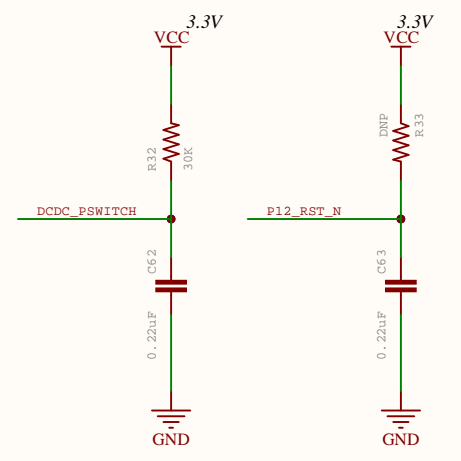
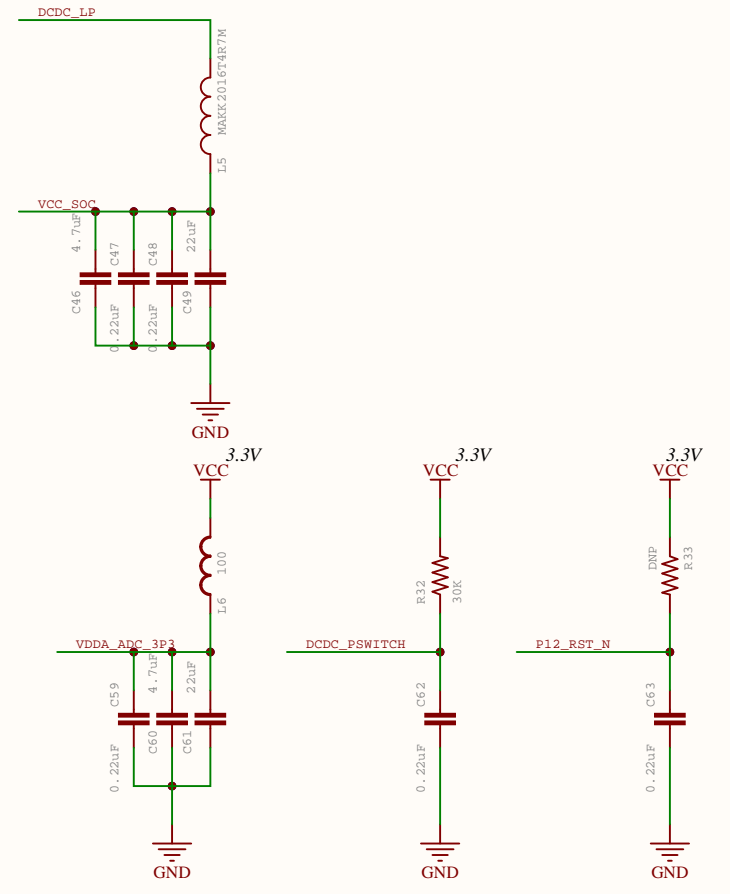


\* The JTAG Interface is designed to connect to the SEGGER 9-Pin Cortex-M Adapter

Note that JTAG is disabled on the RT1060 by default. Only SWD works. Given this, those I/O pins are routed to the external header. A fuse must be blown

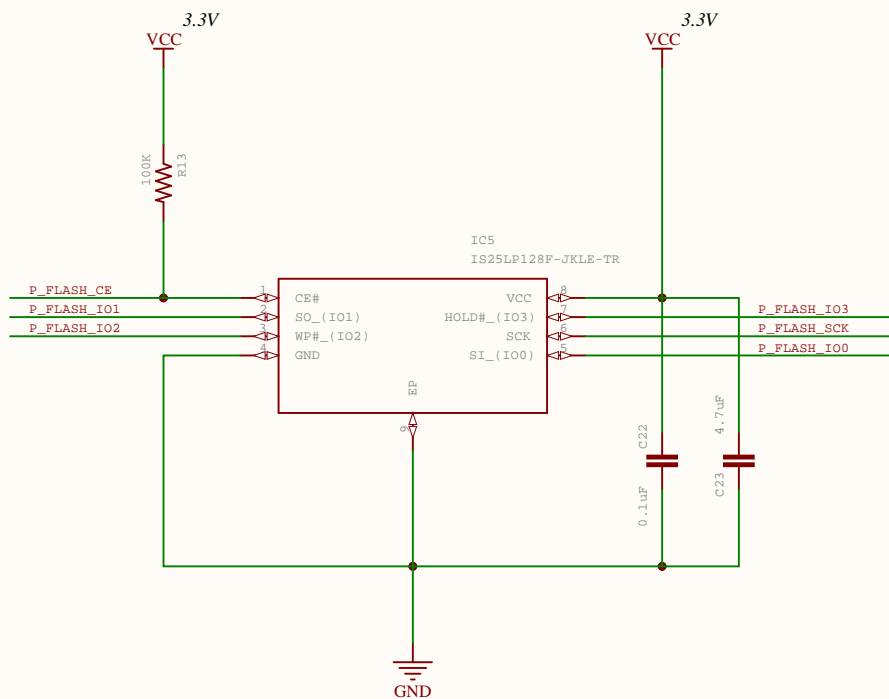
Title		
Size	Number	Revision
A		
Date:	9/28/2023	Sheet of
File:	jtag.SchDoc	Drawn By:

# MIMXRT1062

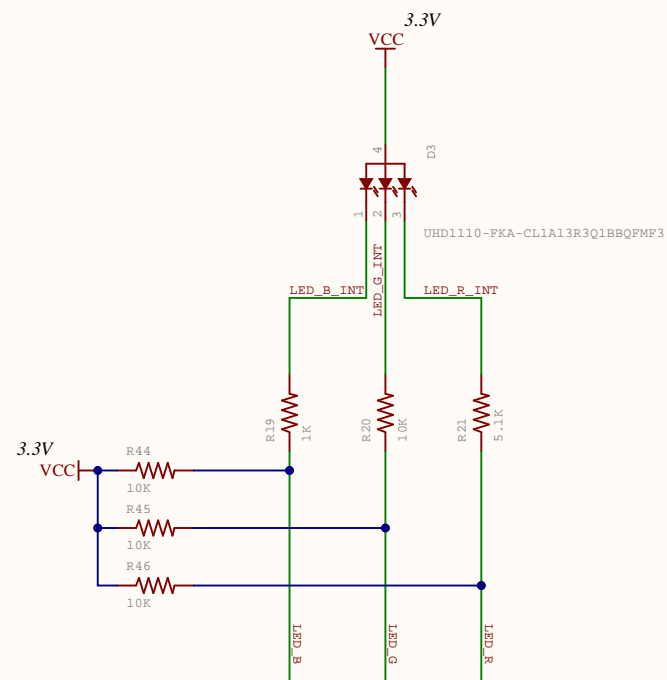


Title		
Size	Number	Revision
C	9/28/2023	Sheet of
File:	mimxrt10xx.SchDoc	Drawn By:

# Program QSPI Flash

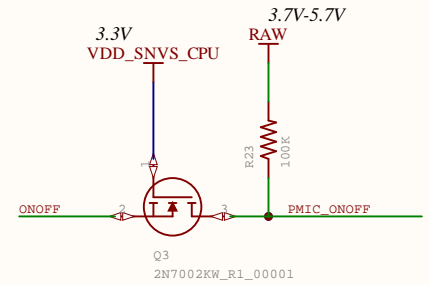
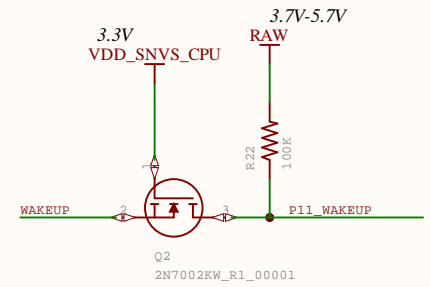
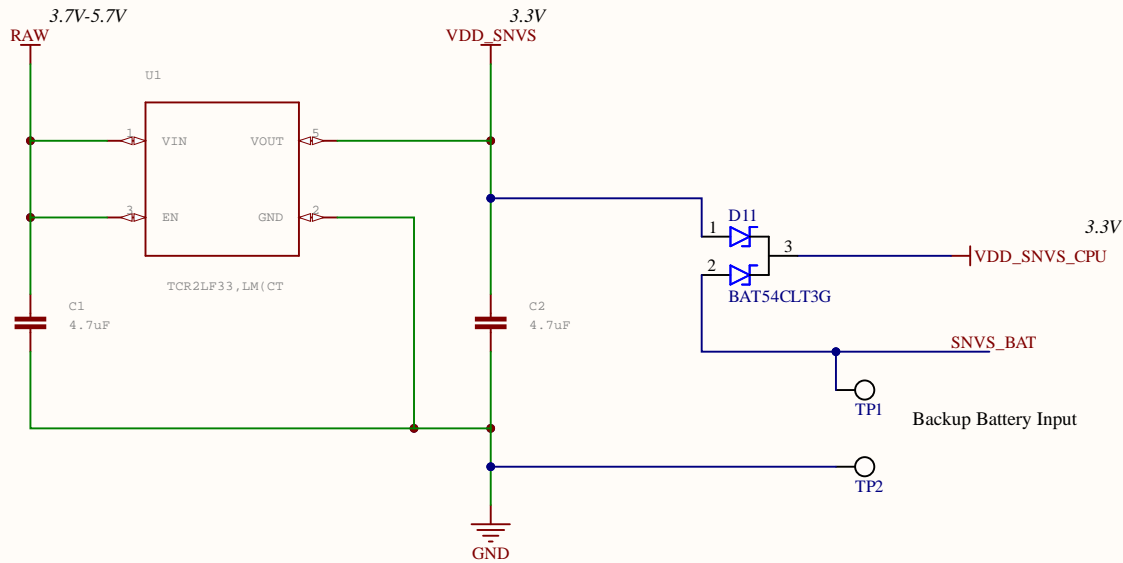


# RGB LED

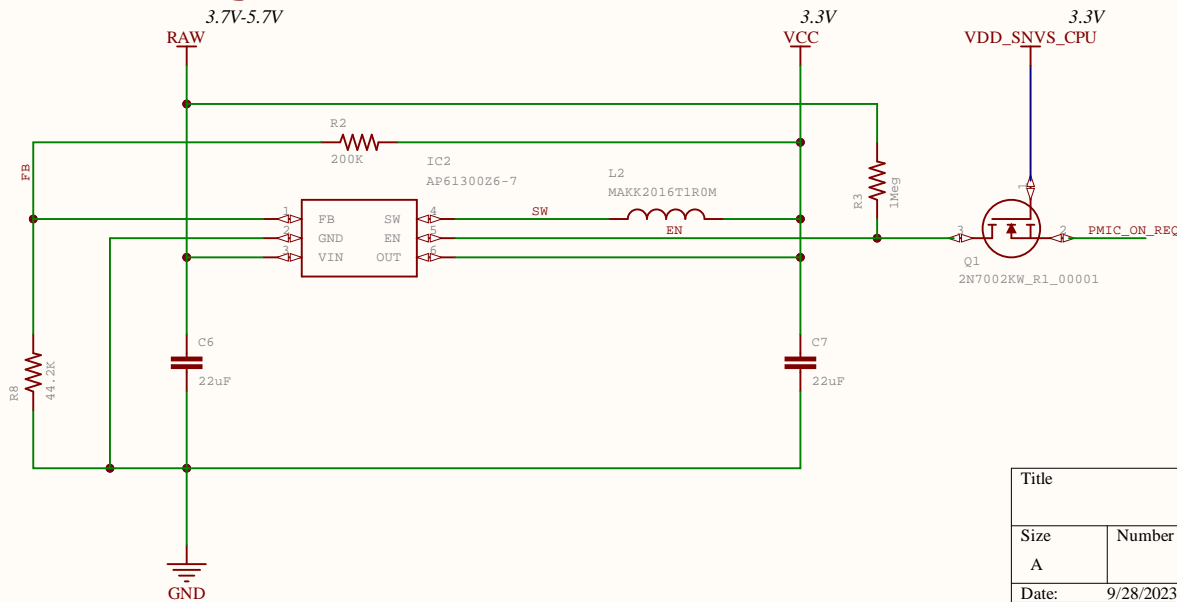


Title		
Size	Number	Revision
A		
Date:	9/28/2023	Sheet of
File:	qspi-flash.SchDoc	Drawn By:

# SNVS Reg



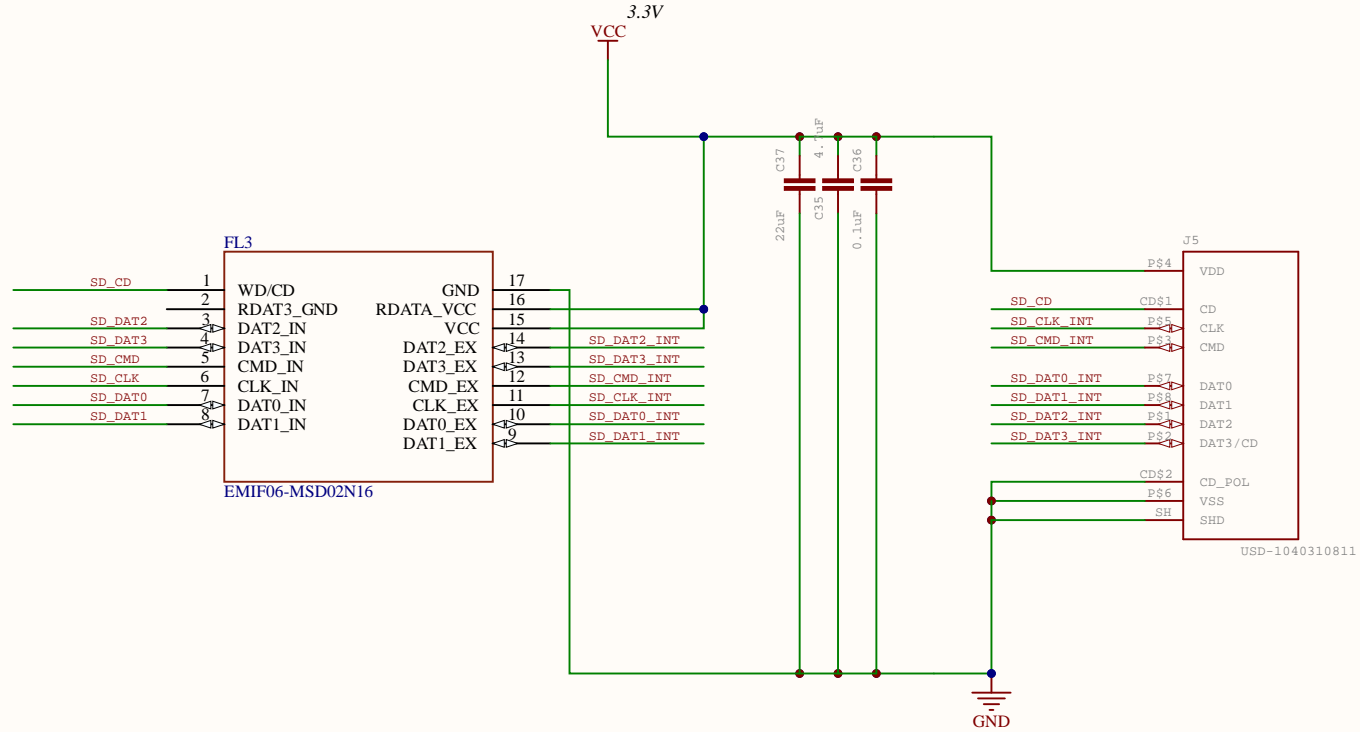
# Main Regulator



Title		
Size	Number	Revision
A		
Date:	9/28/2023	Sheet of
File:	regulators.SchDoc	Drawn By:



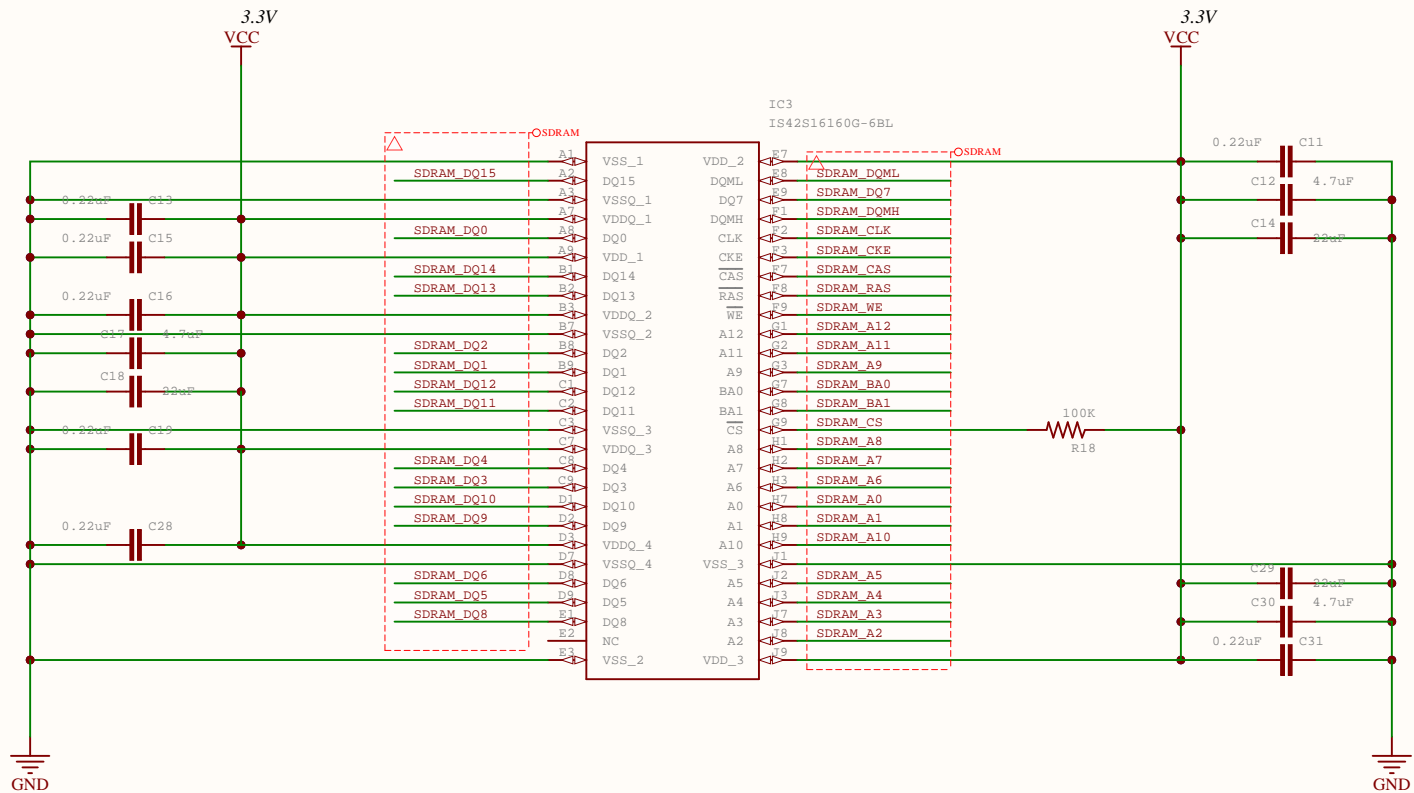
# SD CARD



Title		
Size	Number	Revision
A		
Date:	9/28/2023	Sheet of
File:	sd-card.SchDoc	Drawn By:

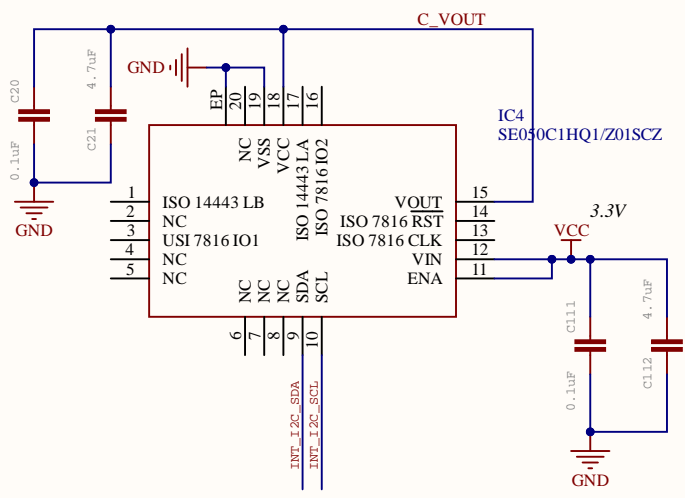
# 16-BIT SDRAM

\* CKE is pulled down by 100K on the RT1062

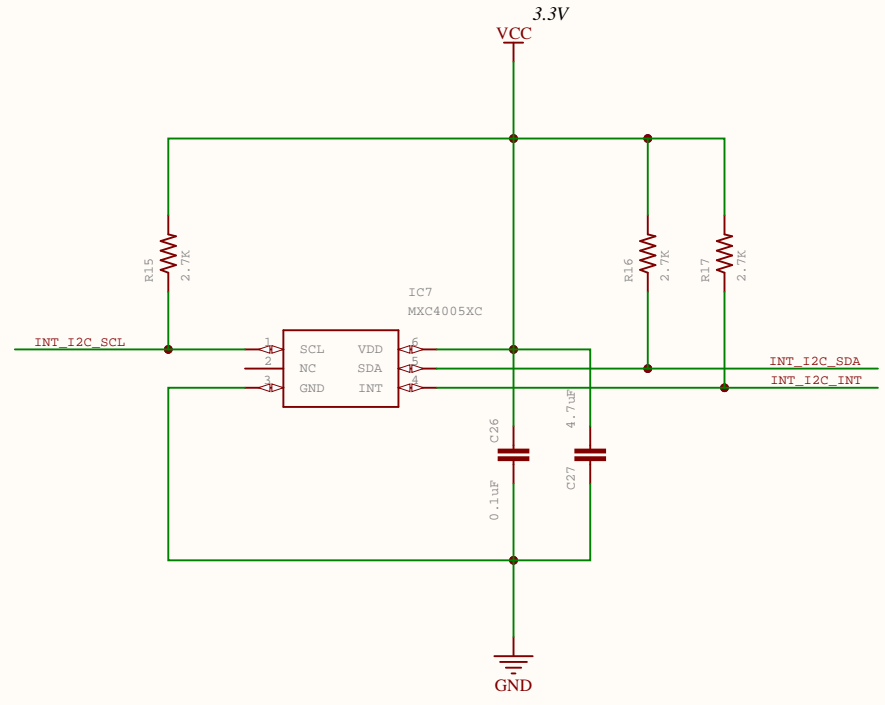


Title		
Size	Number	Revision
A		
Date:	9/28/2023	Sheet of
File:	sdram-16-bit.SchDoc	Drawn By:

# Security

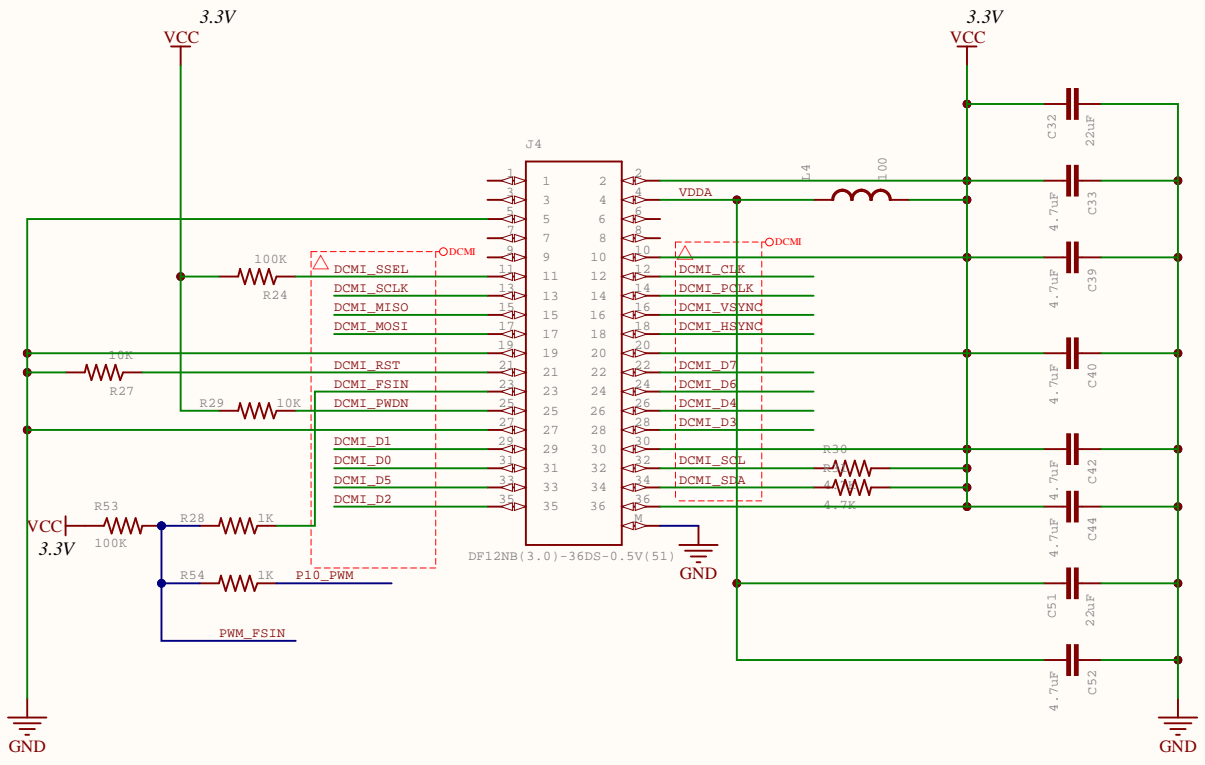


# Accelerometer



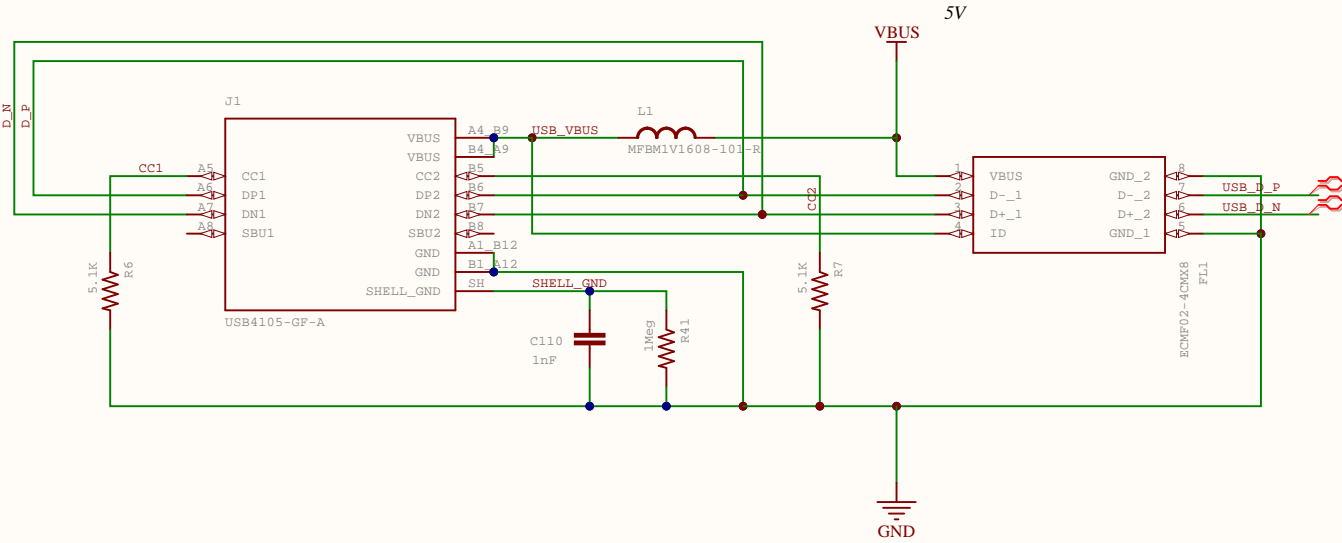
Title		
Size	Number	Revision
A		
Date:	9/28/2023	Sheet of
File:	security-accelerometer.SchDoc	Drawn By:

# IMAGE SENSOR CONNECTOR

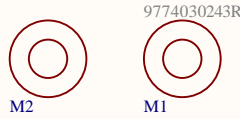


Title		
Size	Number	Revision
A		
Date:	9/28/2023	Sheet of
File:	sensor-header.SchDoc	Drawn By:

# USB Connector



## Mechanical



- P1



OpenMV Logo
- P2



OpenMV Logo
- P3



RoHS Logo
- P4

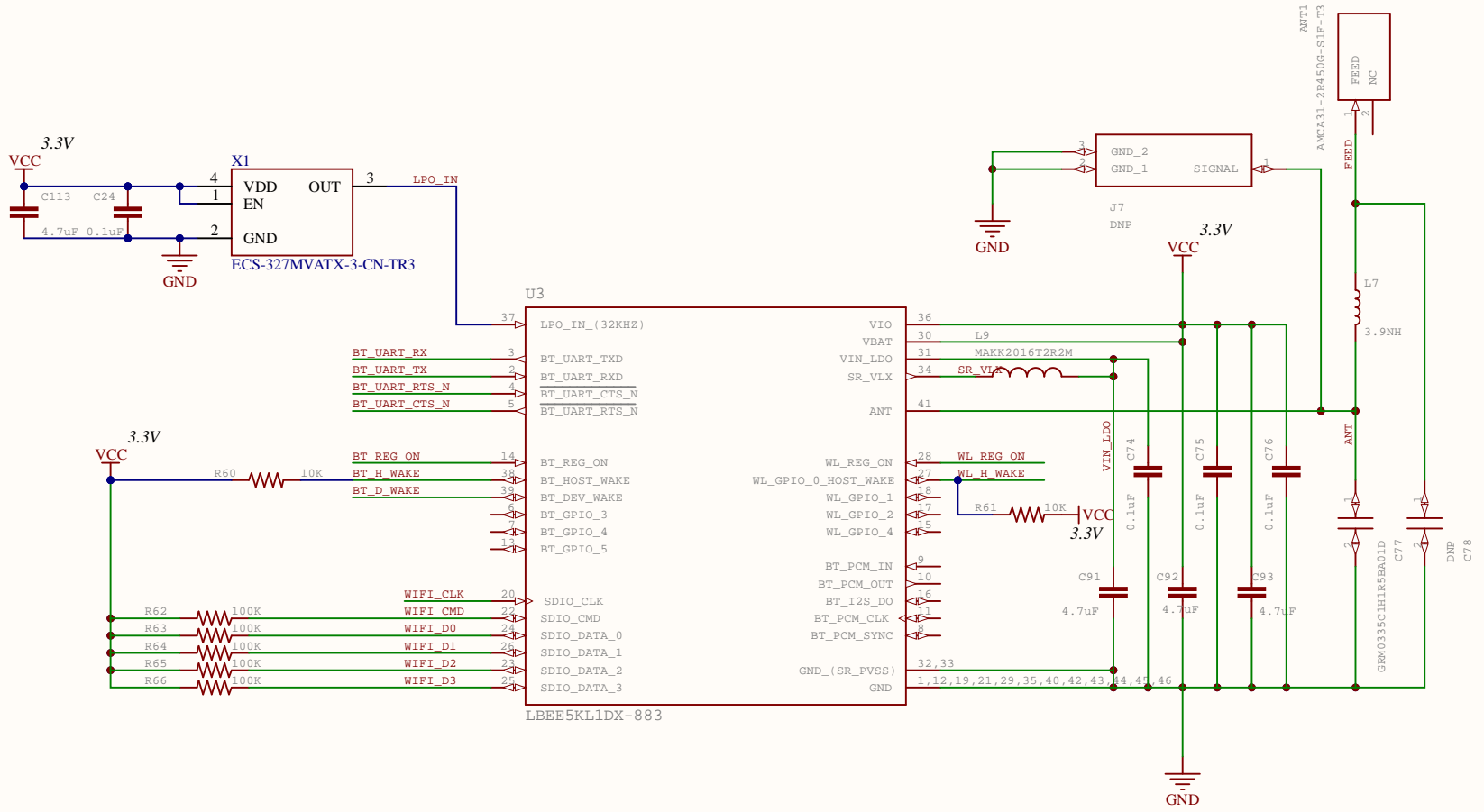


WEEE Logo



Title		
Size	Number	Revision
Date:	9/28/2023	Sheet of
File:	usb.SchDoc	Drawn By:

# WiFi/Bluetooth



Title		
Size	Number	Revision
A		
Date:	9/28/2023	Sheet of
File:	wifi-bt.SchDoc	Drawn By: