



深圳市深飞特科技有限公司

(ShenZhen Sunflytek Technology CO.,Ltd)

承認書
SPECIFICATION FOR APPROVAL

产品名称(Product) : A/V 发射模块 (TX)

产品型号(Model NO.) : MM213TL

制定(Prepared By) : _____

审核(Checked By) : _____

批准(Approved By) : _____

客户承认签核：
CUSTOMER APPROVAL

日期：
DATE

确认签字, 盖章后请返回承认书一份
PLEASE RETURN TO US ONE COPY OF
“SPECIFICATION FOR APPROVAL”
WITH YOUR APPROVED SIGNATURES

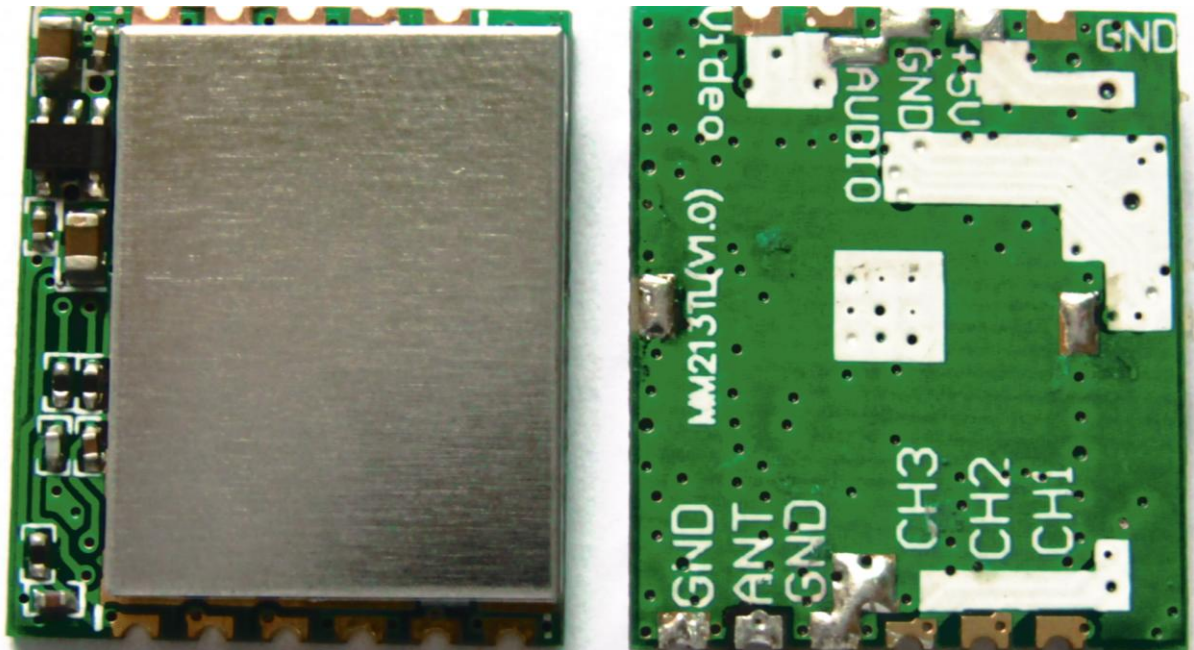
5.8GHz 音视频发射模块

(AV TX Specification)

描述 (DESCRIPTION) : 发射模块 (TX)

型号 (MODEL) : MM213TL

外观图 (IMAGE):



MM213TL

批准 (APPROVED)

日期 (Date): _____

目录 (Catalog)

1 应用 (APPLICATION)	4
2 结构规格 (MECHANICAL SPECIFICATION)	4
3 环境条件 (ENVIRONMENTAL SPECIFICATION)	4
4 测试条件 (TEST CONDITION)	4
5 电性能 (ELECTRICAL CHARACTERISTICS)	4
5.1 直流特性 (DC CHARACTERISTICS)	4
5.2 视频特性 (VIDEO CHARACTERISTICS)	4
5.3 音频特性 (AUDIO CHARACTERISTICS)	4
6 引脚分布及频道表 (PIN ASSIGNMENT&CHANNEL TABLE)	5
7 发射应用电路 (TX APPLICATION CIRCUIT)	6

1 应用

1.1 此规格书用于带声音载频信号处理的视频-射频调制器 (This specification applies to VIDEO-RF modulator with sound subcarrier processing signals) .

1.2 RF 传输频道频率 (transmission frequency group) :

A:Ch1:5725MHz Ch2:5745MHz Ch3:5765MHz Ch4:5785MHz
Ch5:5805MHz Ch6:5825MHz Ch7:5845MHz Ch8:5865MHz

B:Ch1:5733MHz Ch2:5752MHz Ch3:5771MHz Ch4:5790MHz
Ch5:5809MHz Ch6:5828MHz Ch7:5847MHz Ch8:5866MHz

C:Ch1:5645MHz Ch2:5665MHz Ch3:5685MHz Ch4:5705MHz
Ch5:5885MHz Ch6:5905MHz Ch7:5925MHz Ch8:5945MHz

1.3 调制类型 (Modulation type) : FM

2 结构规格书 (Mechanical Specification)

MM213TL Please refer to Figure 1.

3 环境条件 (Environmental Specification)

3.1 工作温度 (Temperature) -10°C ~ +60°C

4 测试条件 (Test Condition)

4.1 周边环境温度 (Ambient temperature) : 25°C

4.2 视频输入电压 (Video input voltage) : 1.0Vp-p,150 (IRE)

4.3 音频输入电压 (Audio input voltage) : 1.0Vp-p 正弦波信号 (sine wave signal) 1KHz

5 电特性 (Electrical Characteristics)

序号 No.	项目 Item	规格 (Specifications)			单位 Unit	测试条件 Test Condition
		最小 Min.	典型 Typ.	最大 Max.		
5.1 直流特性 (DC Characteristics)						
1	电源电压 (Supply Voltage)	3.3	5V	5.5	V _{DC}	
2	电流 (Current Consumption)		110	120	mA	
5.2 视频特性 (Video Characteristics)						
1	输入阻抗 (Input Impedance)		75		Ω	
2	峰值频偏 (Peak Deviation)		1.2		MHz	调制源 (MOD) : 正弦波 (sine wave) 400KHz 1Vp-p

5.3 音频特性 (Audio Characteristics)

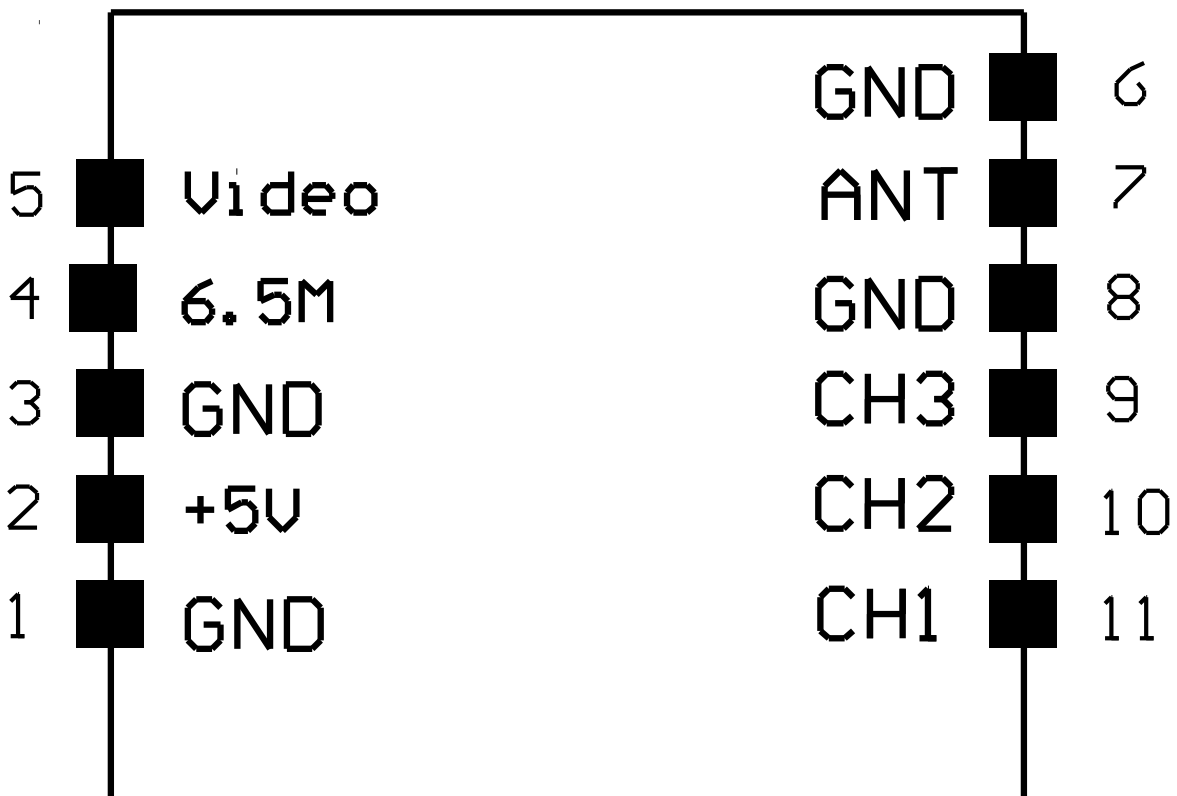
1	输入阻抗 (Input Impedance)		10		KΩ	
2	峰值频偏 (Peak Deviation)		12		KHz	1Vp-p (1KHz)
3	预加重 (Pre-emphasis)		50		μ sec	

5.4 RF 输出特性 (Output Characteristic)

1	发射功率 (Tx Power)	12	13	14	dBm	
2	音频载波电平 (Audio subcarrier Level)	-26	-28	-30	dBc	A/V 比 (Video and Audio Index)
3	音频载波频率范围 AL (Audio Subcarrier Freq. NCY)	6470	6500	6530	KHz	

6 MM213TL 引脚分布 (Pin Assignment)

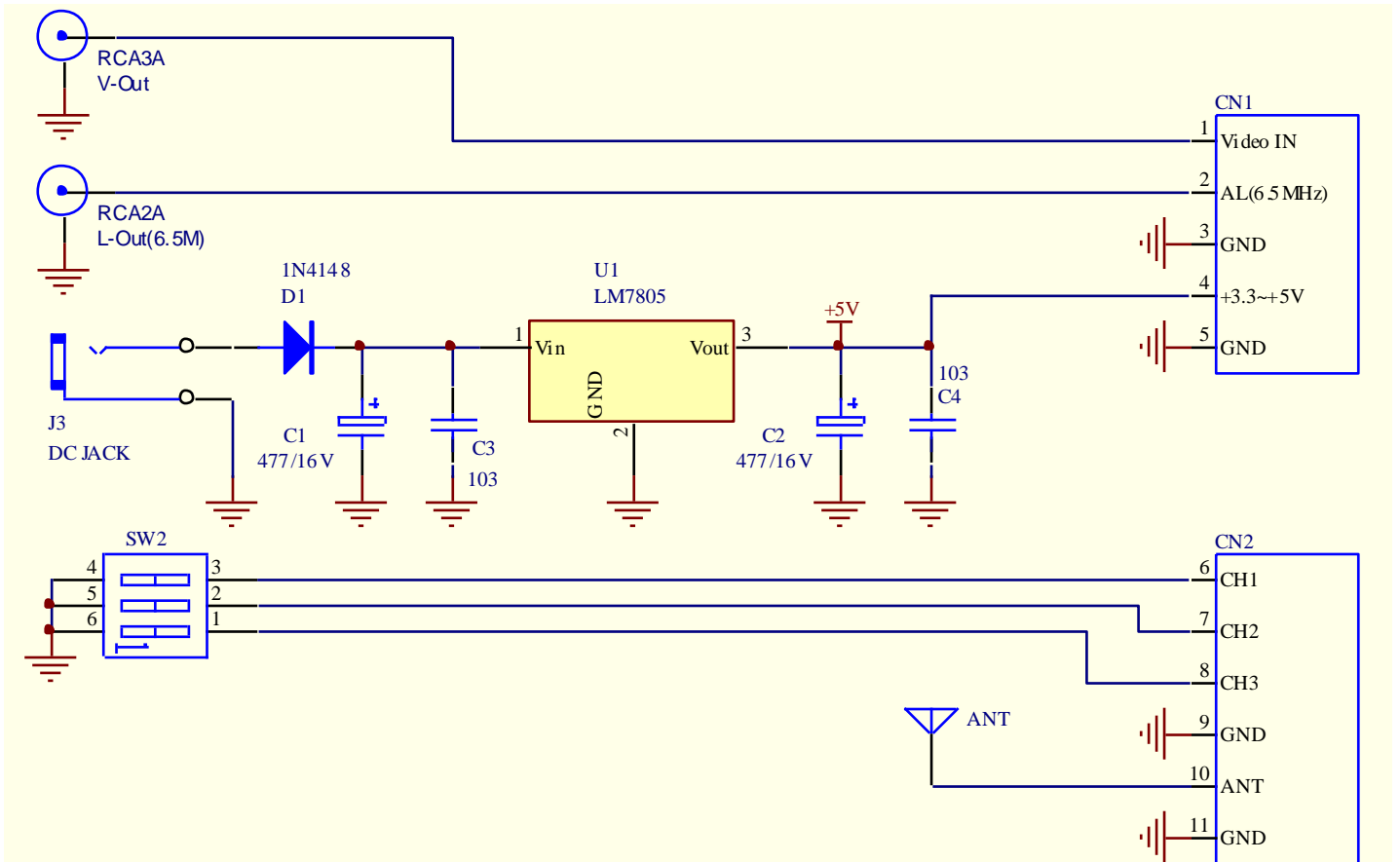
P1 Pin No.	Function
1	GND
2	+3.3~+5V IN
3	GND
4	音频 AL (Audio)
5	视频 (Video)
6	GND
7	ANT
8	GND
9	CH3:见表一(refer to table1)
10	CH2:见表一(refer to table1)
11	CH1:见表一(refer to table1)



MM213TL 频道表 (CHANNEL TABLE)

频道频率(CHANNEL)	P9(CH3)	P10(CH2)	P11(CH1)	S	BX
频率组一 (FREQUENCY GROUP1) :S=L BX=L					
CH1: 5.865GHz	0	0	0	0	0
CH2: 5.845GHz	0	0	1	0	0
CH3: 5.825GHz	0	1	0	0	0
CH4: 5.805GHz	0	1	1	0	0
CH5: 5.785GHz	1	0	0	0	0
CH6: 5.765GHz	1	0	1	0	10
CH7: 5.545GHz	1	1	0	0	0
CH8: 5.725GHz	1	1	1	0	0
频率组二 (FREQUENCY GROUP2) :S=H BX=L					
CH1: 5.733GHz	0	0	0	1	0
CH2: 5.752GHz	0	0	1	1	0
CH3: 5.771GHz	0	1	0	1	0
CH4: 5.790GHz	0	1	1	1	0
CH5: 5.809GHz	1	0	0	1	0
CH6: 5.828GHz	1	0	1	1	0
CH7: 5.847GHz	1	1	0	1	0
CH8: 5.866GHz	1	1	1	1	0
频率组三 (FREQUENCY GROUP3) :S=X BX=H					
CH1: 5.705GHz	0	0	0	X	1
CH2: 5.685GHz	0	0	1	X	1
CH3: 5.665GHz	0	1	0	X	1
CH4: 5.645GHz	0	1	1	X	1
CH5: 5.885GHz	1	0	0	X	1
CH6: 5.905GHz	1	0	1	X	1
CH7: 5.925GHz	1	1	0	X	1
CH8: 5.945GHz	1	1	1	X	1

7.1 MM213TL 应用电路 (Application Circuit)



8. MM213TL 结构尺寸 (Dimension)

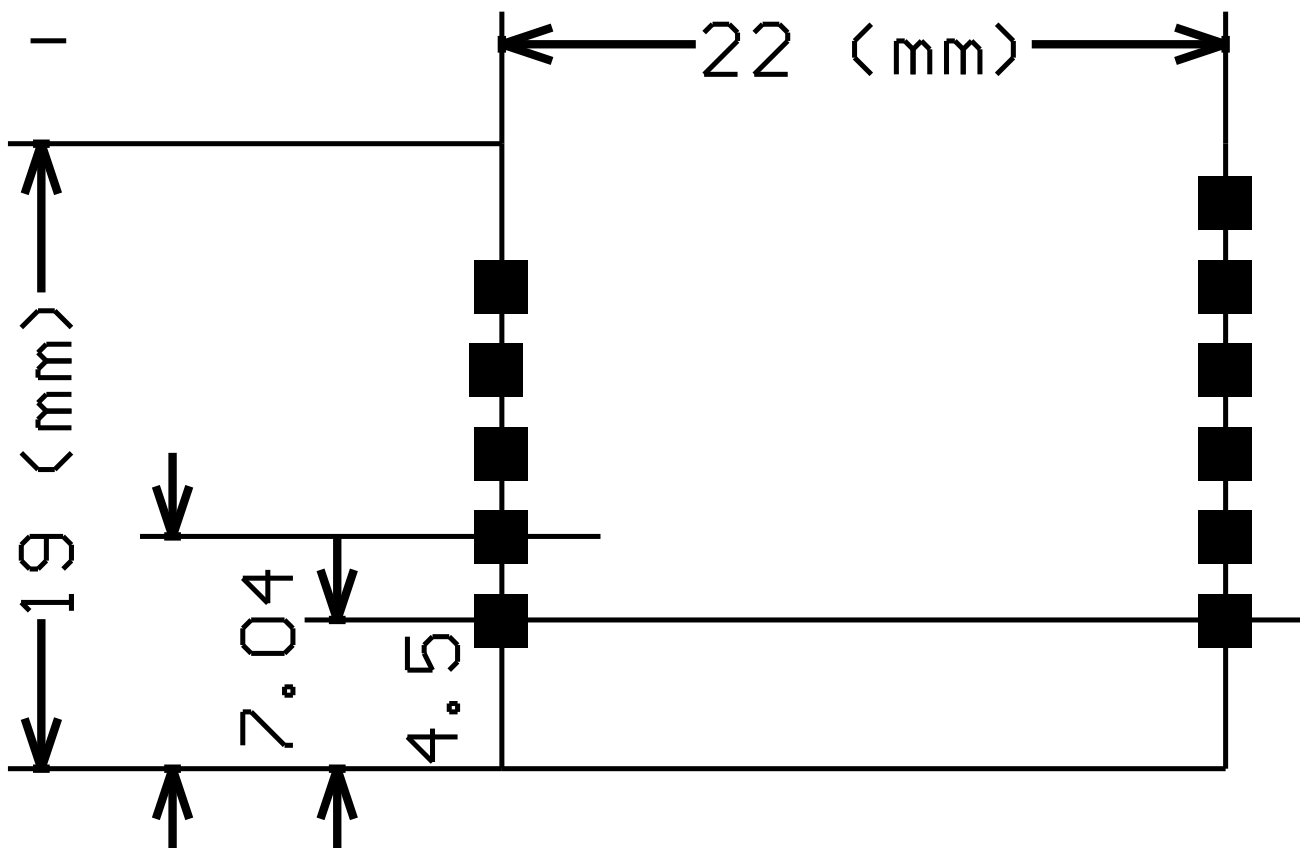


Figure 2.