

MIDWEST TROPICAL INC.

3420 West Touhy Avenue, LINCOLNWOOD, IL 60712 USA
847-679-6666, 1-800-775-6764

IMPORTANT: Please READ CAREFULLY Before Installing the model:

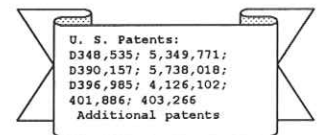
RT-3000 & RT-3000 Clock RECTANGLE AQUATOWER®

This aquarium is shipped complete in Two (2) cartons.
Please check to be sure that you have received all of the following items:

Accessory Package Includes:

- Base Unit
- Header Unit
- Air Pump
- Air Line Tubing
- Undergravel Filter
- Outside Power Filter System
- Extension Cord
- Plant Decorations

Tower Package Includes: Tower Unit (Tank Section)



RECTANGLE TOWER ASSEMBLY INSTRUCTIONS

- 1) Unpack all equipment and review with diagram (provided).
- 2) Place HEADER UNIT & BASE UNIT near each other, in the desired location. With the top of the HEADER UNIT open, run the provided extension cord, plug end first, through the cord holder located inside HEADER UNIT. Continue running this plug end into the BASE UNIT, exiting at the small notch at the back corner. Leave enough cord between HEADER & BASE to allow for the TANK SECTION. See Diagram.

- 3) Place the BASE UNIT in the desired location (a flat level surface which is out of direct sunlight) with the Background seams toward the back. Place the TOWER UNIT, with the bottom in the BASE UNIT, supported on the Acrylic blocks you will find inside.
- 4) Unpack and examine the Outside Power Filter System with the manufacturers instructions. This modular filter combines the latest designs in filtration systems with ease of use and maintenance. Assemble the filter as per the manufacturers instructions & diagram. Once the filter has been assembled place it onto the back wall of the TOWER UNIT centered so it will fit within the slot at the rear of the HEADER UNIT.
- 5) Assemble Undergravel Filter. Slide the “boxed” end of the lift tube into the slot on the filter plate. At the top of the lift tube there is a flexible airline attached to the small clear plastic tube that is inside of the large lift tube, be careful to keep the airline attached to the small tube when you uncurl the flexible airline to attach it to the air pump that is to be put in the header of the tank.
- 6) Place the assembled Undergravel Filter into the aquarium. Lower the filter to the bottom of the tank, positioning it flat (with the lift tube at either back seam of the tower).
- 7) You will need approximately 15 to 20 lbs. of aquarium gravel for your tank, which may be purchased at your local pet supply shop. We recommend using an epoxy coated quartz gravel, which comes in a wide variety of colors to match your desired look. This type of gravel has less dirt & dust than conventional gravel, which will make setting up the tank that much easier.

- 8) Open and rinse the GRAVEL. Rinsing will remove any dust and foreign particles from the gravel. Pour the gravel gently into the aquarium, making sure to cover the plate filter, to a depth of about 2 inches.
- 9) Select the correct water temperature.
For goldfish, use slightly cool tap water (60-70 degrees).
For tropical, use room temperature tap water (72-78 degrees).

Fill the aquarium with water to two-thirds full. You may now decorate your aquarium with the plant decorations.

Please Note: Plants snap together at various levels, allowing you to extend or shorten their length to your personal tastes. Attach PLANT WEIGHTS (not included) to the plant base to aid in their settling to the bottom of the tank. After Plants have been assembled and arranged within your aquarium, complete filling your tank to two (2) inches from the top.

For RT-3000CL (Clock Option) ONLY
Rectangle Tower Timepiece(TM)

- 10) Assemble the HEADER UNIT. Your Pentagon Tower Timepiece is equipped with a battery movement, which uses one AA battery (Not Included). Located inside the HEADER UNIT you will find a slot to insert the battery. Directly above this slot, you will find the inset Time Adjustment Knob, to correctly set the time. On the front side of the header, you should find the Hour, Minute and Second Hands already in place. If these have come loose during shipment, lightly push them in near the center nut, until they lock into place.

Install light bulb (not included) into socket and plug line cord into extension cord outlet. Use a standard light bulb up to 50 watts (max).

Place HEADER UNIT on top of the tank section. Make sure the extension cord is running straight downwards from the extension cord bracket inside header.

The HEADER has a special cut-out notch which fits over the outside filter. The outside filter cord must run directly downwards to an outlet. If you are installing an optional HEATER, we suggest a submersible heater, no more than 100 WATT.

- 11) For information on an optional installation of a particular heater, please consult the manufacturer's instructions. Once the heater is installed, collect and place the excess electrical cord on the support shelf inside the HEADER UNIT to prevent the cord from falling into the water and plug into extension cord.

Attach other end of airline tubing connected to filter seam (see item #4) to AIR PUMP running it upwards through the opening on the shelf and connect tubing to the air pump fitting.

- 12) Plug in your extension cord and outside filter cords to wall outlet. Test your equipment. Light switch is located on HEADER (turn for on/off). Your air pump is pushing air through the undergravel filter plate and you should see bubbles rising from the air stone in the undergravel filter plate assembly tube. Your heater (optional) should be working. Adjust temperature per manufacturer's instructions. Your outside power filter is drawing water through the intake stem filtering through the carbon and foam insert and filtered water is then returning into your aquarium.

HELPFUL HINTS ON MAINTAINING YOUR RECTANGULAR TOWER AQUARIUM

Your aquarium is a complete ecological system, one which requires care at periodic intervals.

Place your aquarium away from direct sunlight, as sunlight accelerates the growth of algae. If you do place your RECTANGLE TOWER in direct sun, you will need to clean it more frequently.

To conceal the bases of the decorative plants, you may use a long stick (yardstick or pole) to gently push the plant bases into the gravel. To clean your plants, they can be removed and rinsed under clean water.

If you have installed a heater in your aquarium, please read the manufacturer's instructions for directions on installing the unit.

Heater **MUST** Be Unplugged for A Minimum of Five (5) Minutes and Allowed to Cool Down **PRIOR** to Its Removal from the Water. This will prevent the glass tube from cracking.

You should periodically replace approximately 20% of your water every two months with room temperature tap water to aid in more rapid fish growth. The POWER FILTER and UNDERGRAVEL FILTER must run at all times, except when servicing the aquarium. Replace foam and carbon INSERTS as necessary.

Avoid overfeeding your fish. Feed them only once every day or two, and give them only enough FOOD as can be readily consumed.

To clean the outside of your aquarium use a soft cloth. Abrasive materials will scratch the acrylic finish. **NEVER** spray window cleaner near the top of your aquarium since ammonia is **TOXIC** to fish. To clean the outside acrylic, use a plastic polish or cleaner.

The light should not be allowed on for more than eight (8) hours per day. **ALWAYS UNPLUG POWER ON YOUR AQUARIUM BEFORE SERVICING!!** Always disconnect any cords prior to lifting the Header!!!

For ordering information, see the **OPTIONAL EQUIPMENT PACKAGE LIST** (provided).

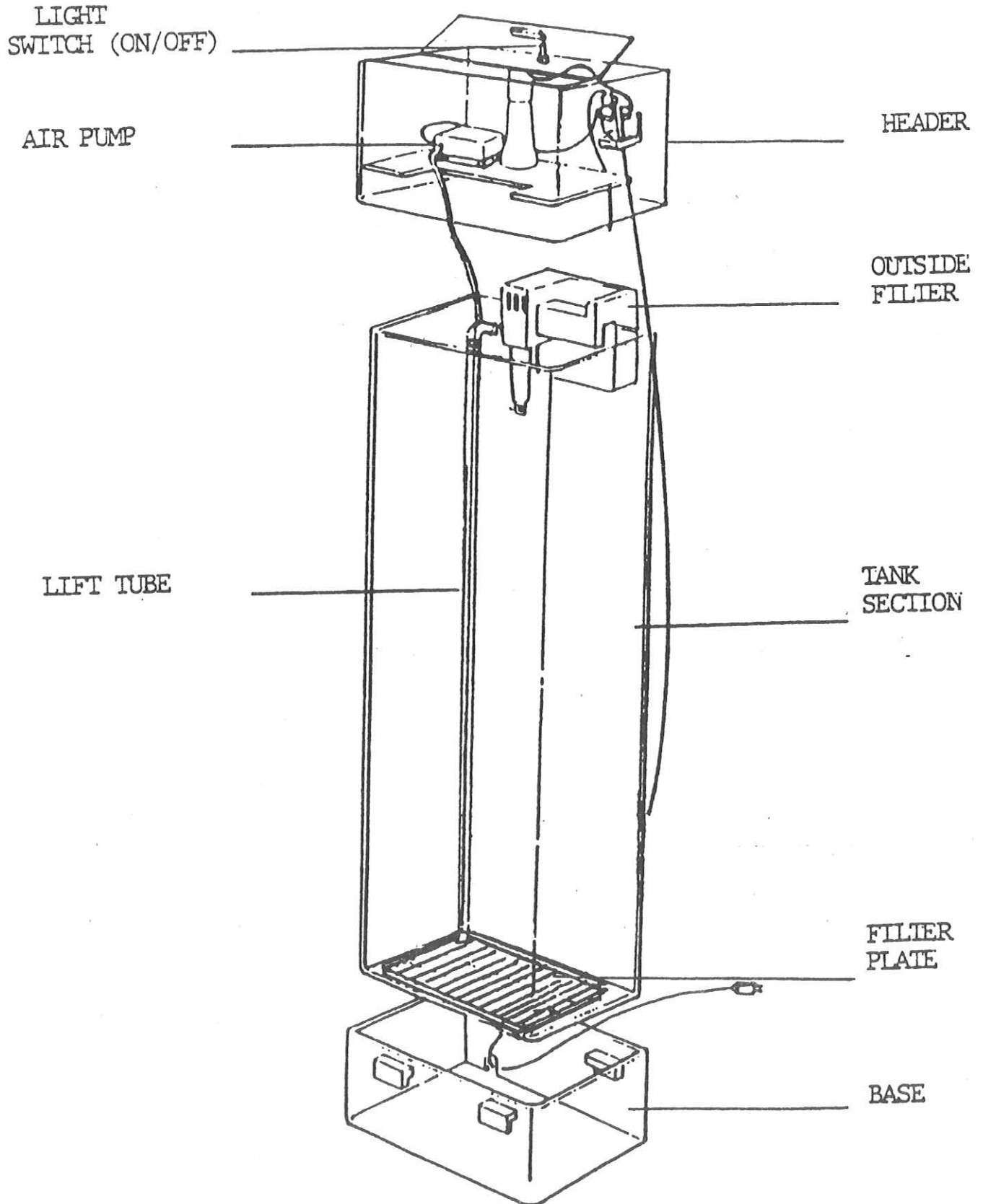
We Hope You Enjoy Many Years Of Pleasure With Your

RECTANGLE TOWER AQUARIUM

Revised 4-1-06

ASSEMBLY

RT - 3000



IMPORTANT NOTICE

DEAR CUSTOMER,

WE TAKE EXTRA PRIDE IN OUR MANUFACTURING AND PACKAGING OF THIS PRODUCT AND WISH YOU MANY YEARS OF ENJOYMENT.

IF YOU HAVE ANY QUESTIONS REGARDING THE OPERATION OF THIS MERCHANDISE, PLEASE CONTACT OUR CUSTOMER SERVICE DEPARTMENT BETWEEN 9:30 A.M. - 4:00 P.M. CST WITH ANY QUESTIONS.

1 (847) 679-6666 Telephone
1 (847) 679-6669 Fax
E-Mail: info@midwest-tropical.com

DO NOT RETURN MERCHANDISE TO THE STORE UNLESS YOU HAVE CONTACTED OUR SERVICE DEPARTMENT WHO WILL PROVIDE RETURN AUTHORIZATION DETAILS.

SAFETY INSTRUCTIONS & RECOMMENDATIONS

To avoid the possibility of the appliance plug or receptacle getting wet, position the Water Sculpture stand and Water Chamber to one side of a wall mounted receptacle. To prevent water from dripping into a receptacle, a "drip loop" should be arranged by the user for each cord connecting a Water Sculpture to an electrical receptacle. The "drip loop" is that part of the cord below the level of the receptacle or connector if an extension cord is used, to prevent water traveling along the cord and coming in contact with the receptacle. If the plug or receptacle does get wet, **DO NOT** unplug the cord due to the risk of electric shock. Disconnect the fuse or circuit breaker that supplies power to the appliance. Then unplug the cord and examine for presence of water in the receptacle.

NOTE: ALWAYS UNPLUG THE ELECTRICAL CONNECTIONS TO THE WATER CHAMBER WHEN SERVICING THE WATER SCULPTURE!

NEVER USE GLASS CLEANER ON THE ACRYLIC BODY OF THE WATER CHAMBER.
WE RECOMMEND USE OF A PLASTIC OR ACRYLIC POLISH CLEANER ONLY.

ANY MODIFICATIONS MADE TO THIS PRODUCT WILL VOID THE WARRANTY
AND MANUFACTURER'S LIABILITY.