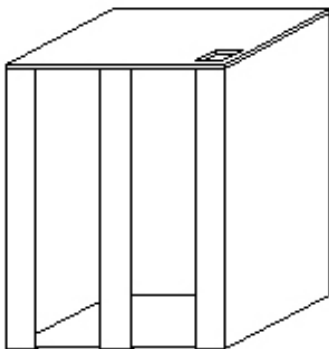
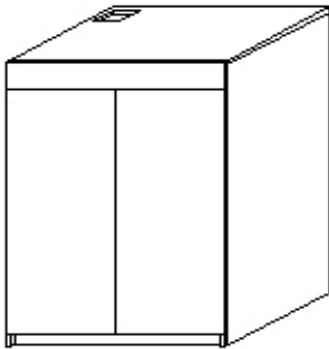
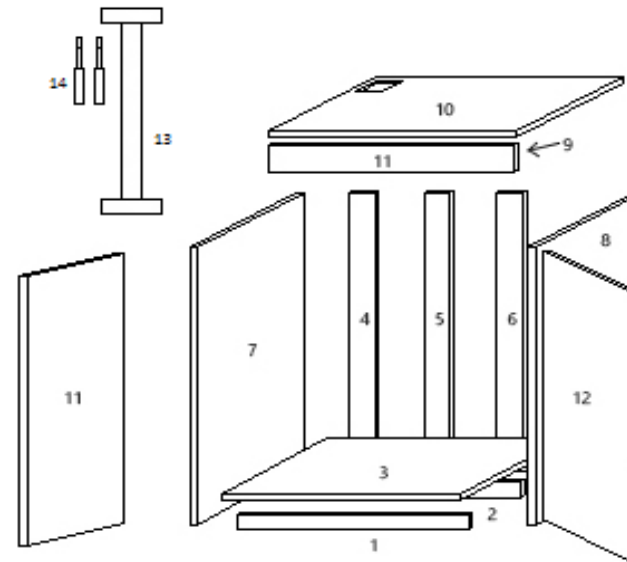


your cabinet is now finished



Contents:



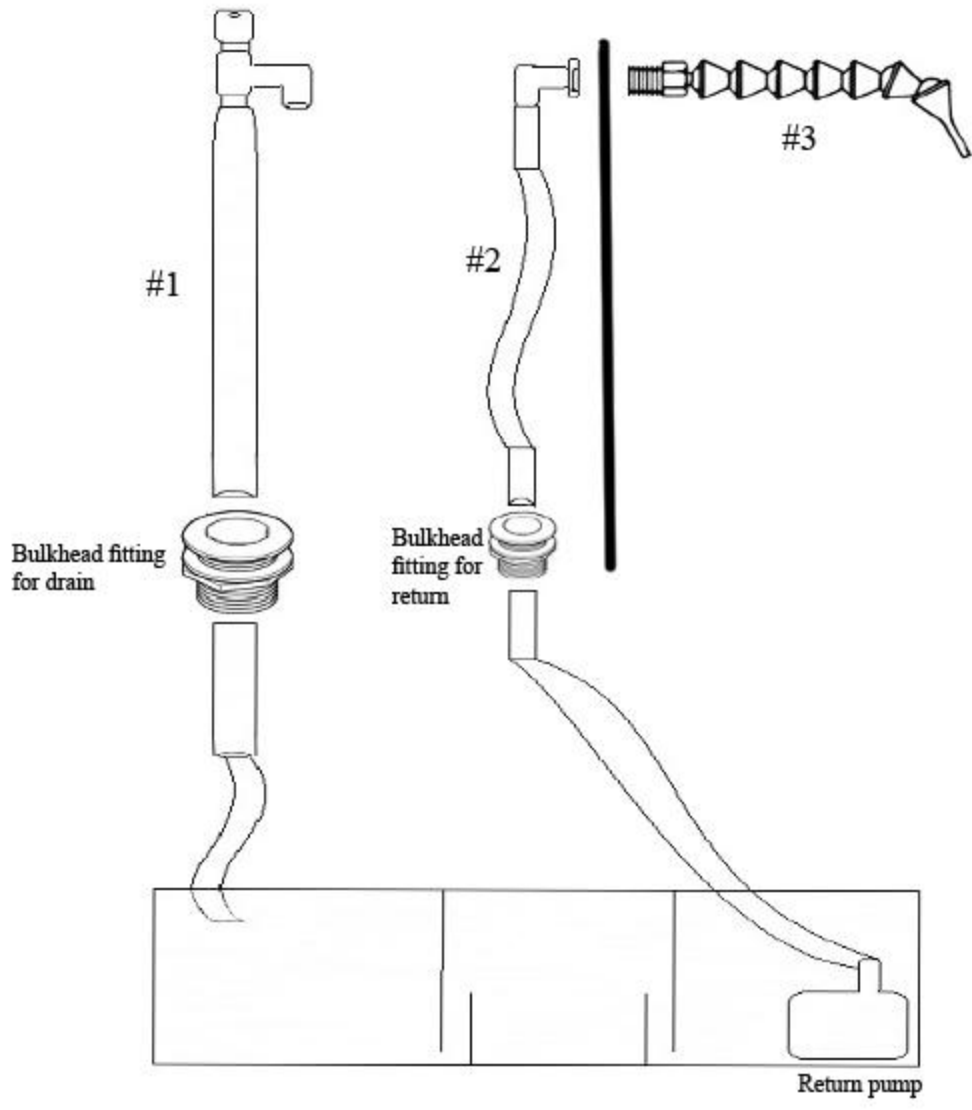
Versa series cabinet instructions

- 1) using #1 and #2 there are pre-drilled holes. using the holes form a T
- 2) using #3 there are pre-drilled holes. fit the T onto the bottom side of the #3 panel
- 3) using #4,5,6 and the CX14 screws. screw them on the back of the bottom panel

- 4) Using #7,8 place on the left and right sides of the now partially formed bottom of the cabinet. using the CX14 screws, screw in from the outside into the bottom using the pre-drilled holes
- 5) using #9 put into place in between #7 and #8 towards the upper front corner, then use C screws to screw in from the outside pre-drilled holes to fasten into place
- 6) using #10, flip upside down and use A anchor rods to screw into the pre-drilled holes
- 7) when A anchor rods are all in place on the underside of the top panel #10 flip upside down and fit into pre-drilled holes of the top of the cabinet
- 8) using #11 flip upside down and screw in 2 A anchor rods on the pre-drilled holes. then place into the pre-drilled holes of the cabinet. lock in place using G CAM screws from the inside of the cabinet
- 9) using the doors #11 and #12 lay facing up and screw in the H hinges into the pre-drilled holes of the doors
- 10) hold door in place of the pre-drilled holes and then screw into the #7 and #8 side panels using F screws
- 11) There will now be an "I" shaped beam #13. Take this I-beam and put it in the middle of the cabinet opening where the doors meet. Use the provided screws and screw in the top 2 holes and the bottom 2 holes into the cabinet. This will give the cabinet extra support as well as act as a door stop as well as filter out light that may be in the cabinet.
- 12) #14 are the 2 spring door openers. These 2 are installed on the top part of the I-Beam #13. Using the given screws in the packet, screw in the 2 spring door openers on each side of the I-Beam (#13) on the upper flap.

Tips: H hinges are Euro hinges and there are 2 screws on each hinge. These 2 screws allow you to make adjustments of the doors. Giving you the options of setting the doors closer or further apart from each other. Use a screw driver and adjust by hand so that you can be more exact

- 13) now that the cabinet is assembled, place the mat on top of the cabinet and place the tank on top of the mat. After the tank is sitting on top of the mat, go to the underside of the cabinet and cut the mat to expose the drain and return hole.



Plumbing set-up:

- 1) (#1) Durso drain pipe assembly. Unscrew the fastener nut from the bottom of the bulk-head fitting. Make sure the rubber gasket is in place against the Flange of the bulk-head fitting. Slide the entire Durso drain pipe from the top of the aquarium and through the larger drain hole of the tank.
- 2) (#2, #3) Return line and directional return nozzle. Unscrew the directional return nozzle (#3). Then just like step 1 of the Durso drain pipe, Unscrew the fastener nut from the bottom of the bulk-head fitting. Make sure the rubber gasket is in place against the Flange of the bulk-head fitting. Slide the entire return line from the top of the aquarium and through the smaller return hole of the tank. Once the return line is in place, hold the return elbow against the smaller hole of the overflow box wall. Take the #3 directional return nozzle and screw through the hole and into the return elbow (only hand tight is enough).
- 3) With both of the fittings in place. Open the cabinet and go under to screw in the fastener nuts onto the bulk head fittings from below. Tighten as much as possible by hand and then use a Channel lock pliers to tighten another half of a turn (Avoid over tightening).
- 4) You may wish to glue the PVC pipe and tube into the fitting or you can also apply some Teflon tape on the edges and push into the fitting.
- 5) Connect the return tube onto the pump outlet fitting. This will finish the return line from bottom to top.
- 6) Drain line's soft tubing now should go directly into the filter sock if you have added one. This will finish the drain line from bottom to top.