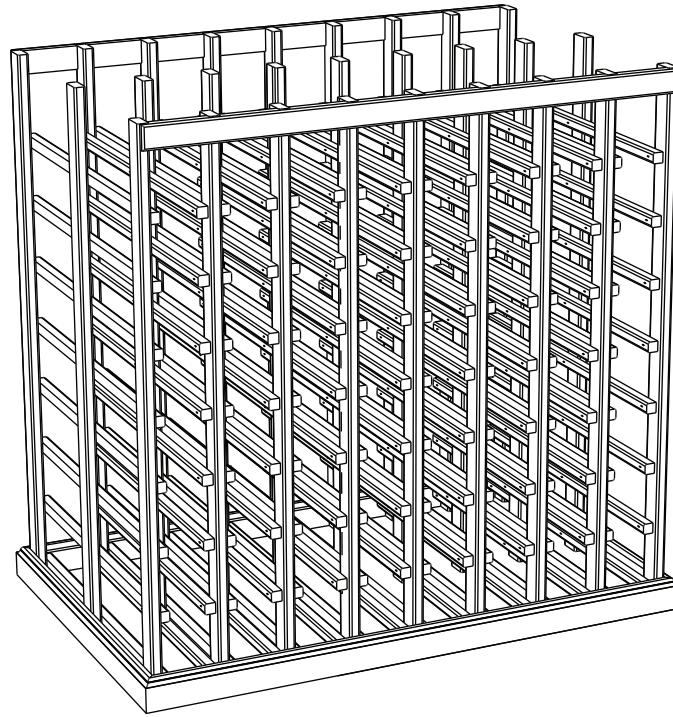




DOUBLE DEEP TASTING TABLE ASSEMBLY GUIDE

Page 1

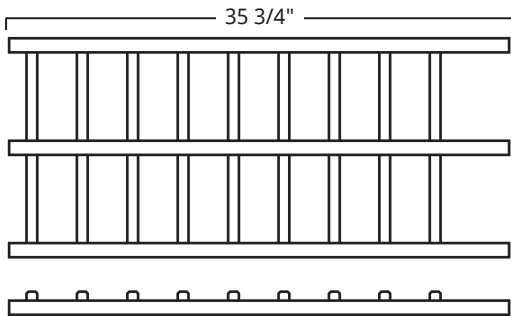
Questions?
888.373.6057
or visit
wineracksamerica.com



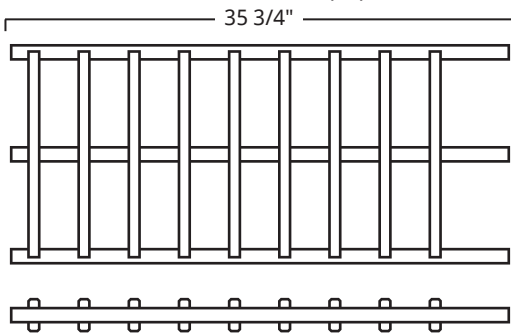
PACKAGE CONTENTS

*Please verify that you have the correct number of parts before proceeding.
Depending on the model you purchased, your bundle should contain the following:

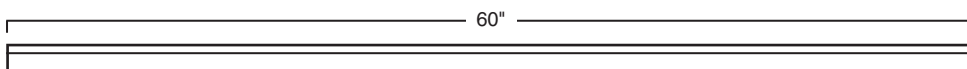
END LADDER (X2)



MIDDLE LADDER (X7)



FLOOR MOLDING (X2)



STANDARD 8 COLUMN CONNECTOR (X2)



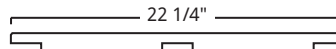
SCREWLESS 8 COLUMN CONNECTOR (X2)



SOLID TOP (OPTIONAL)



MOLDING SUPPORT PIECE x 2



WOOD PUTTY



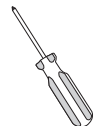
WOOD SCREWS



FINISH NAILS

TOOLS FOR ASSEMBLY

Required



Screwdriver



Wood Glue

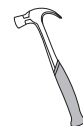
Suggested



Cordless Drill



Finish Nailer



Hammer

+



Nail Setter



DOUBLE DEEP TASTING TABLE ASSEMBLY GUIDE

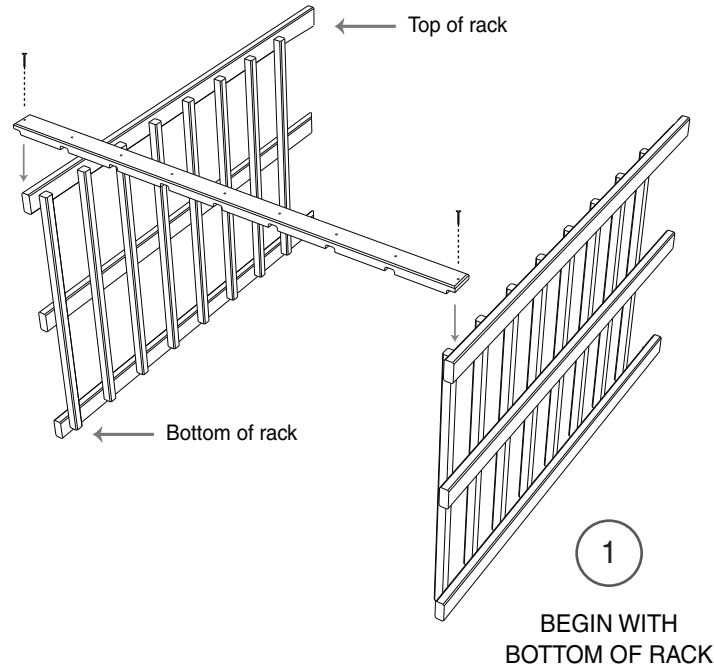
Questions?
888.373.6057

or visit
wineracksamerica.com

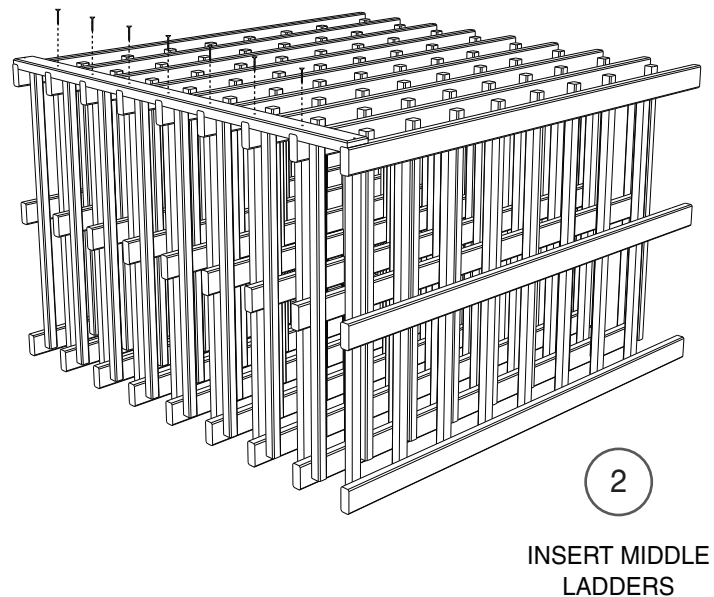
Page 2

1. Find an open, flat area in which to work. Carefully remove all components from the box and remove banding with a utility knife. Check the parts list to verify package contents.
2. Arrange the side ladders on the floor so that the bottle support pieces face one another. Align the tops on each side ladder. Attach a standard connector to the bottom of your rack using the screws provided. Make sure the connector is flush with the bottom of your rack. (figure 1)

*** Minimize the risk of splitting your ladders by drilling a 1/16" pilot hole before driving the wood screws. For best results, drive the screw most of the way in with your drill, then finish tightening by hand.**



-
3. Insert the middle ladders and finish securing the bottom connector using the screws provided. (figure 2)





DOUBLE DEEP TASTING TABLE ASSEMBLY GUIDE

4. Locate the screwless connectors with no pilot holes. Apply a small amount of wood glue into each notch of the connector. (figure 3)

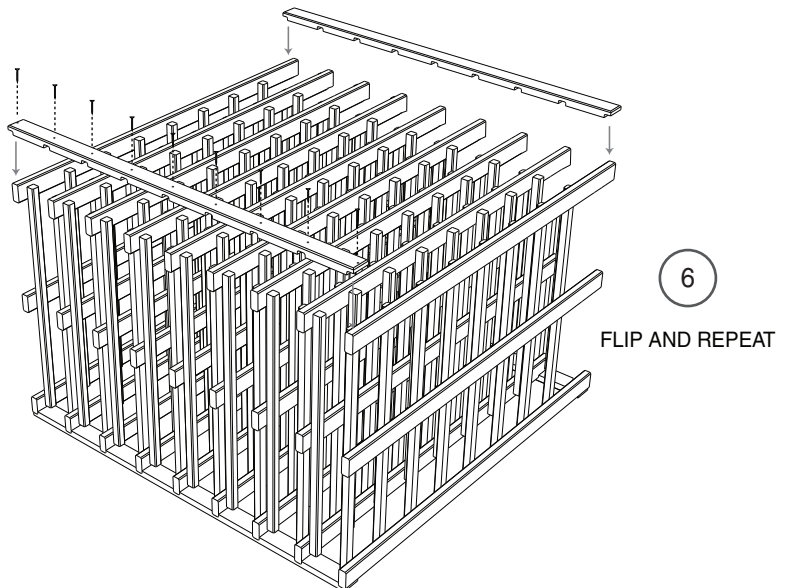
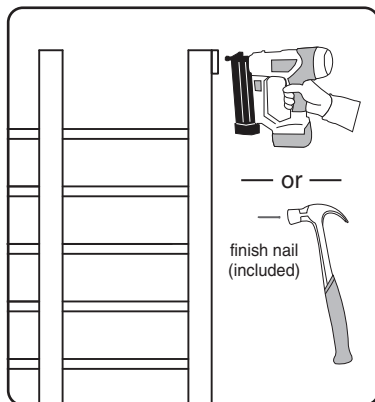
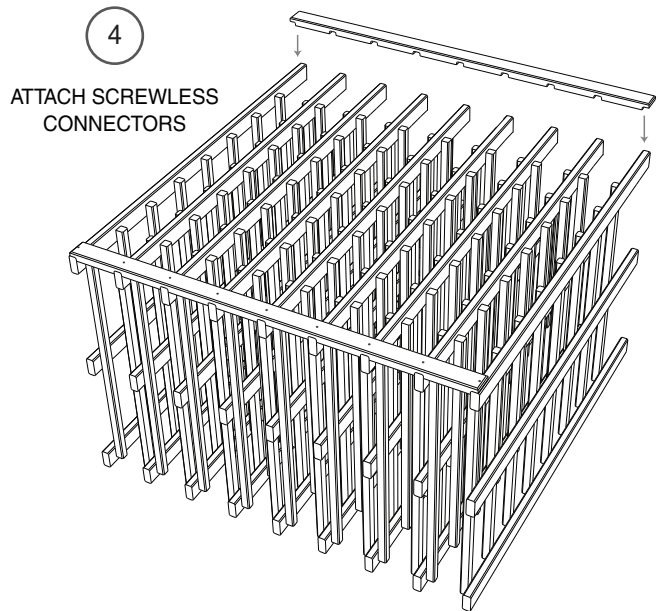
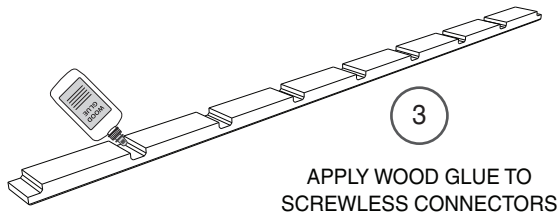
Once the glue has been applied to the connector, attach it to the rack so that the connector is flush with the top of the rack. (figure 4)

5. Finish securing the screwless connector using a finish nail gun to drive a finish nail through the connector into each vertical ladder. Make sure the rack is flat on the floor while attaching the screwless connectors. (figure 5)

If you do not have a finish nail gun, drive one of the provided finish nails into each vertical ladder until it is flush. Then, countersink the nail using a nail setter until the head of the nail is about 1/16" below the surface of the wood.

6. Fill the nail holes using the wood putty provided. Simply push the putty into each hole using your thumb and wipe excess putty off the surface using a damp cloth.

7. Flip rack over and repeat the same process for attaching the standard and screwless connector to the other side of the rack. (figure 6)





DOUBLE DEEP TASTING TABLE ASSEMBLY GUIDE

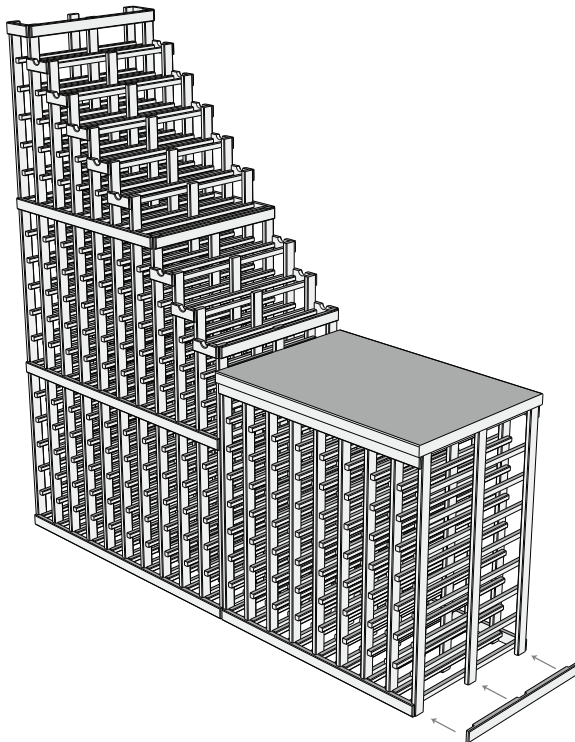
Questions?
888.373.6057

or visit
wineracksamerica.com

Page 4

8. Your rack was shipped with two molding supports. Depending on how you plan to use your tasting table rack, you will install either 1, 2 or none of these supports along the bottom edge of your rack.

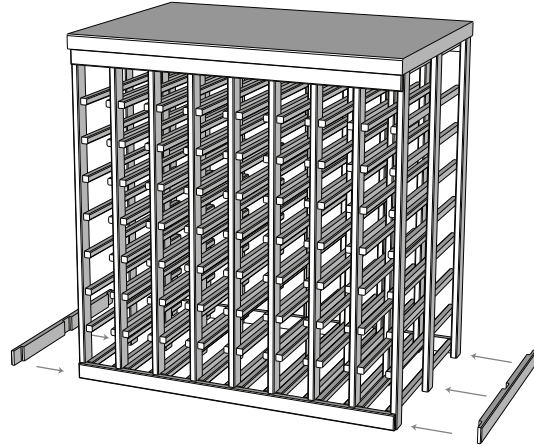
Please find your installation type below for directions:



B

Waterfall Endcap

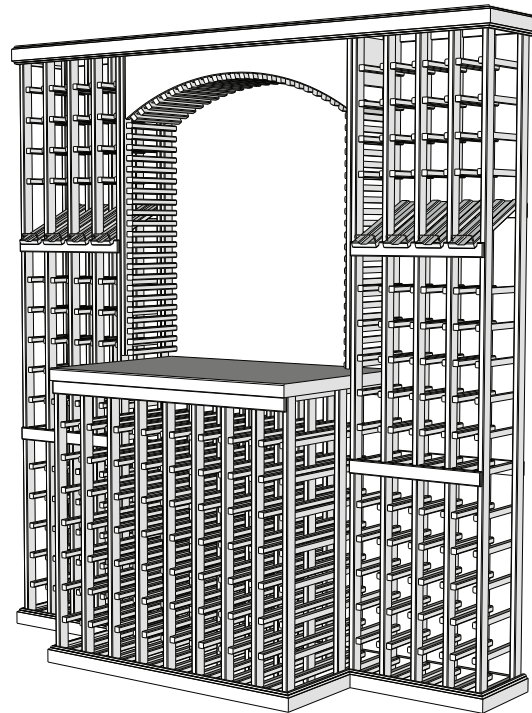
Action: Attach one molding support to outside edge with glue or finish nail gun.



A

Stand Alone Table

Action: Attach both molding supports with glue or finish nail gun.



C

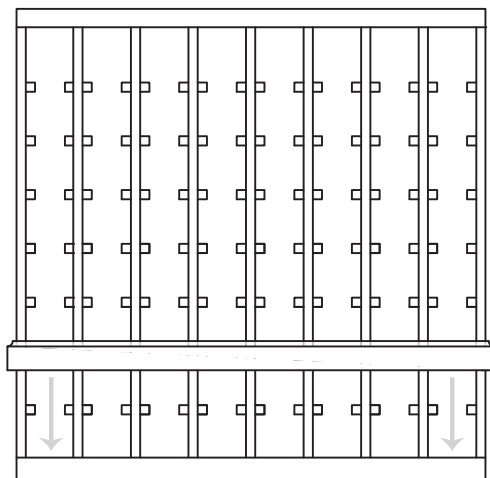
Integrated Table

Action: Do not install molding supports, as the adjacent racks will hold it square.

9. **Attaching the Floor Molding** - Our floor molding installs just like regular finish molding in your house. It will fit directly over the bottom horizontal connectors on the front and back of the rack and over the molding support pieces on the sides of your rack. (figure 7)

It will be necessary to make a 45° Miter cut in the areas where the front and side molding meet. (figure 8)

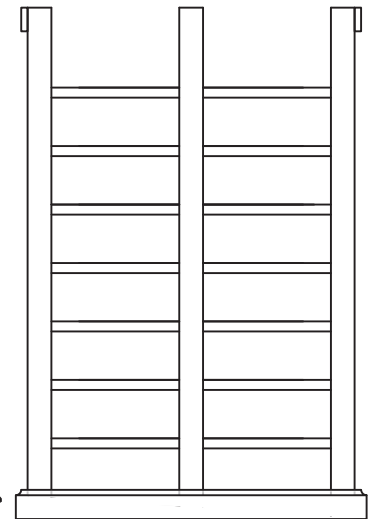
10. Secure floor molding with wood glue or a small finish nail. (figure 9)



7 ATTACH FLOOR MOLDING



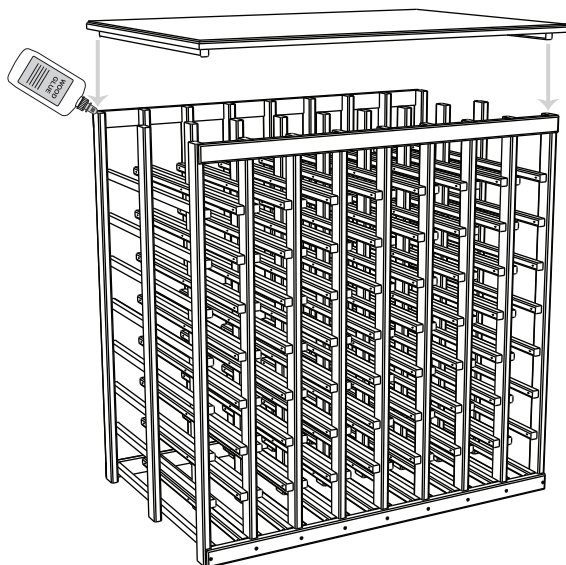
8 MAKE MITER CUTS WHERE NECESSARY



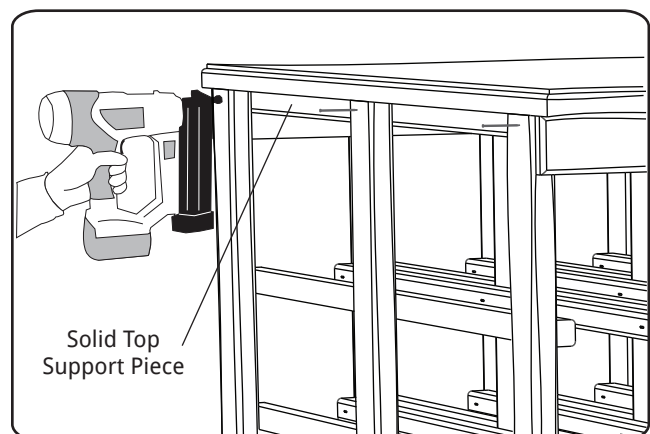
9 SECURE MOLDING WITH FINISH NAILS

11. If you ordered the Double Deep Tasting Table with the solid top, secure it by placing a small amount of wood glue on the tops of the ladders and clamping the butcher block to the table base using standard wood clamps. Allow glue to fully dry before removing clamps. (figure 10)

For extra support, use a nail gun to tack a nail through the top of the risers into the solid top support pieces. (figure 11)



10 GLUE TOP INTO PLACE



11 SECURE WITH FINISH NAILS