

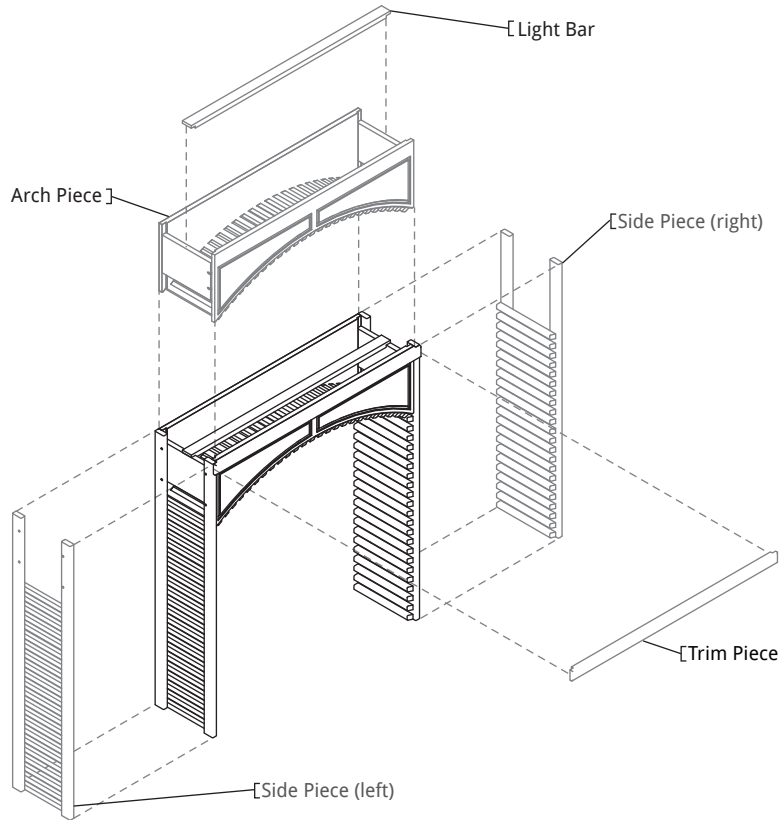


DECORATIVE CELLAR ARCH ASSEMBLY GUIDE

Page 1

Questions?
888.373.6057

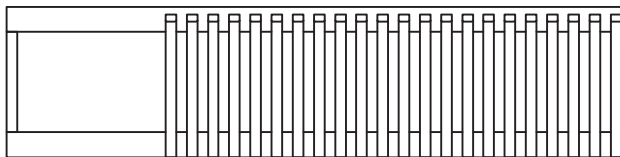
or visit
wineracksamerica.com



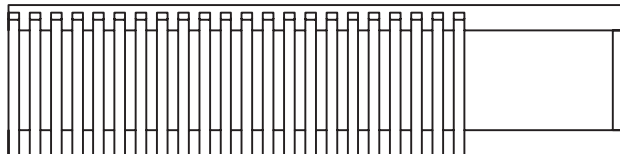
PACKAGE CONTENTS

*Please verify that you have the correct number of parts before proceeding.
Depending on the model you purchased, your bundle should contain the following:

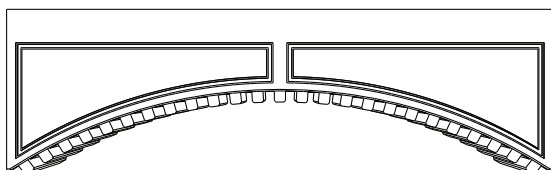
RIGHT SIDE PIECE (x1)



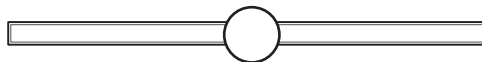
LEFT SIDE PIECE (x1)



ARCH PIECE (x1)



LIGHT BAR/PUCK LIGHT (x1)

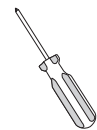


TRIM PIECE (x1)



TOOLS FOR ASSEMBLY

Required

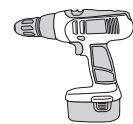


Screwdriver



Wood Glue

Suggested



Cordless Drill



Finish Nailer



Hammer

+



Nail Setter



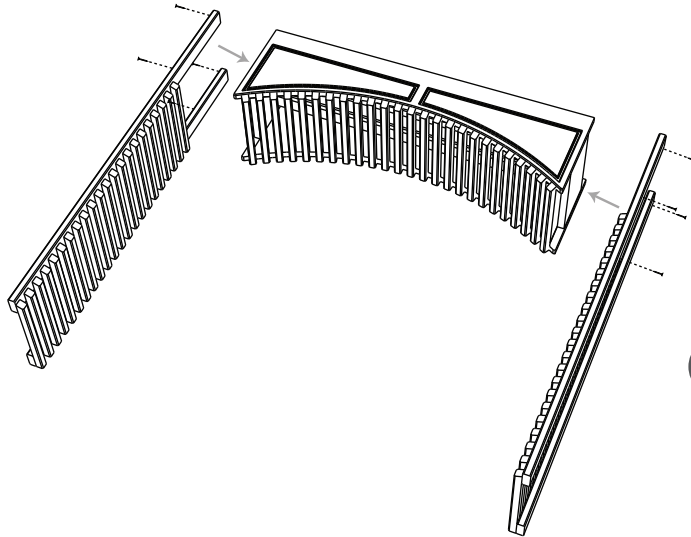
DECORATIVE CELLAR ARCH ASSEMBLY GUIDE

Questions?
888.373.6057

or visit
wineracksamerica.com

Page 2

1. Place parts on a flat surface. Begin by attaching the (right) side piece to the arch piece with a screwdriver or cordless drill. Make sure the top of the side piece is aligned with the top of the arch piece. Repeat for (left) side. (figure 1)



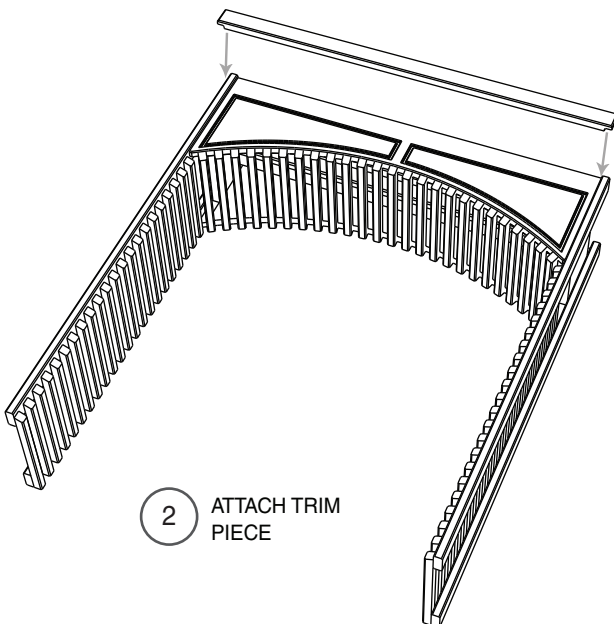
1 ATTACH SIDE
PIECES TO ARCH

2. Attach the top trim piece so that the top edge of the trim piece fits flush with the top edge of the arch and side assemblies. Make sure that the unit is flat on the floor or a table while attaching the top trim piece. (figure 2)

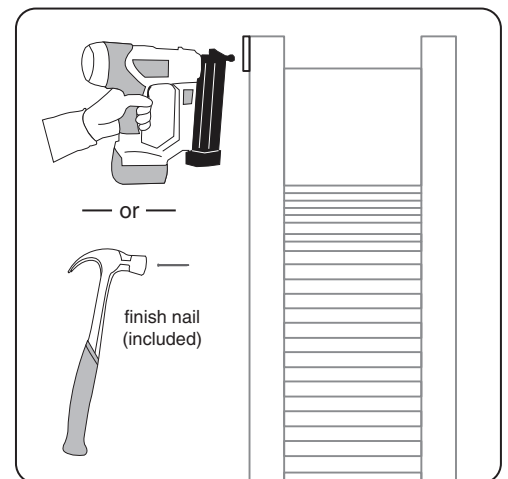
Secure the top trim piece using a finish nailer. Simply drive 2 finish nails (one at each end) through the top trim piece securing it to each side assembly. (figure 3)

If you do not have a finish nailer, drive one of the provided finish nails through each end of the top trim piece into the side assemblies until it is flush. Then, countersink the nail using a nail setter until the head of the nail is about 1/16" below the surface of the wood.

3. Fill the nail holes using the wood putty provided. Simply push the putty into each hole using your thumb and wipe excess putty off the surface using a damp cloth.



2 ATTACH TRIM
PIECE



3 SECURE WITH
FINISH NAILS



DECORATIVE CELLAR ARCH ASSEMBLY GUIDE

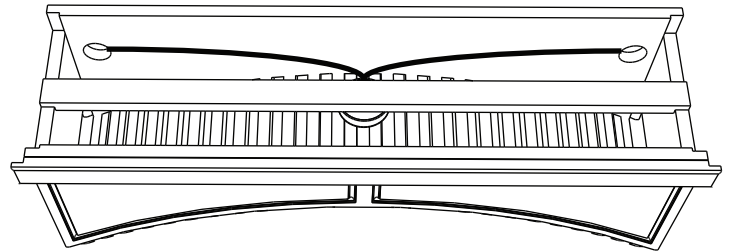
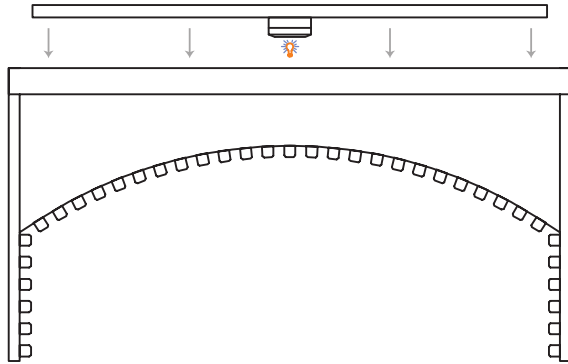
Questions?
888.373.6057

or visit
wineracksamerica.com

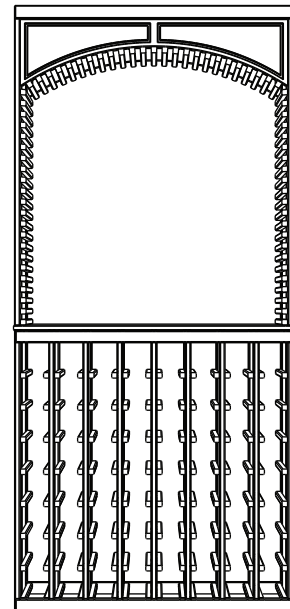
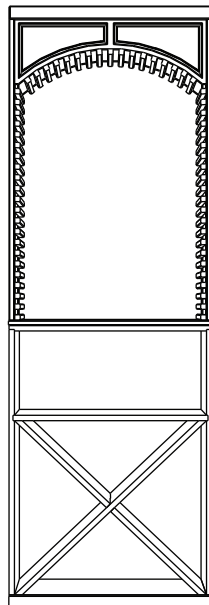
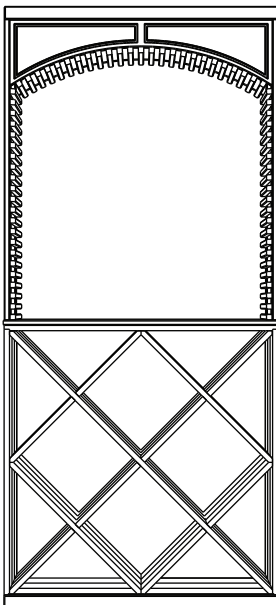
Page 3

4. The Wine Racks America Cellar Arch comes pre-configured with an attached puck light. Simply set it down into place through the top of the arch.

Guide the power cord through one of the two holes on the back of the arch. The hole closest to the nearest outlet is best. Plug in the power cord to make sure the light works correctly.



5. Stand up your arch and lift it into place. The Wine Racks America Cellar Arch is designed to be installed above one of our base racks with a solid top.



WINERACKSAMERICA.COM

We would love to see your wine racks in use! Please feel free to send any photos of your racks to photos@wineracksamerica.com

Once again, thank you for your business. Remember, customer service is available to answer any questions Monday-Friday 7:00 am - 5:00 pm MST. Please feel free to contact us for any wine storage needs.

360 North 700 West Suite F • North Salt Lake, UT 84054
(toll free) 888-373-6057
(fax) 801-936-0534