

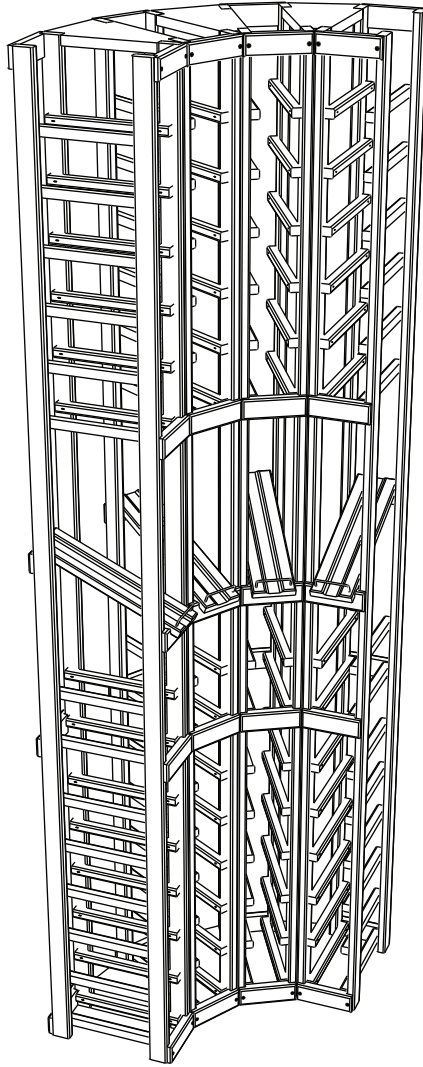


# 4 COLUMN DISPLAY ROW CORNER ASSEMBLY GUIDE

Page 1

Questions?  
**888.373.6057**

or visit  
**wineracksamerica.com**



### IMPORTANT!

If you purchased a 2 Column Display Row Corner Kit, your package will contain the following parts:

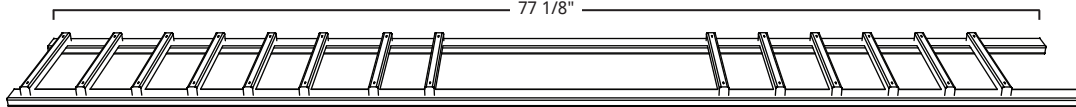
- END LADDER ASSEMBLIES - x4
- 1 COLUMN SCREWLESS CONNECTORS - x6
- 1 COLUMN STANDARD CONNECTORS - x12
- CORNER WEDGE - x6
- DISPLAY TRAYS - x2

## PACKAGE CONTENTS

\*Please verify that you have the correct number of parts before proceeding. Depending on the model you purchased, your bundle should contain the following:

END LADDER ASSEMBLIES (x8)

77 1/8"



1 COLUMN SCREWLESS CONNECTOR (x12)



1 COLUMN STANDARD CONNECTOR (x12)

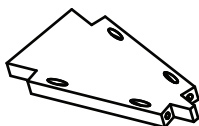


FINISH NAILS

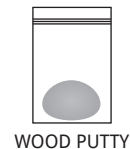
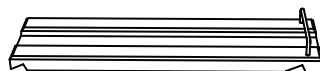


WOOD SCREWS

CORNER WEDGE (x6)



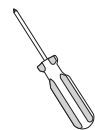
DISPLAY TRAYS (x4)



WOOD PUTTY

## TOOLS FOR ASSEMBLY

### Required



Screwdriver



Wood Glue

### Suggested



Cordless Drill



Finish Nailer



Hammer

+



Nail Setter



# 4 COLUMN DISPLAY ROW CORNER ASSEMBLY GUIDE

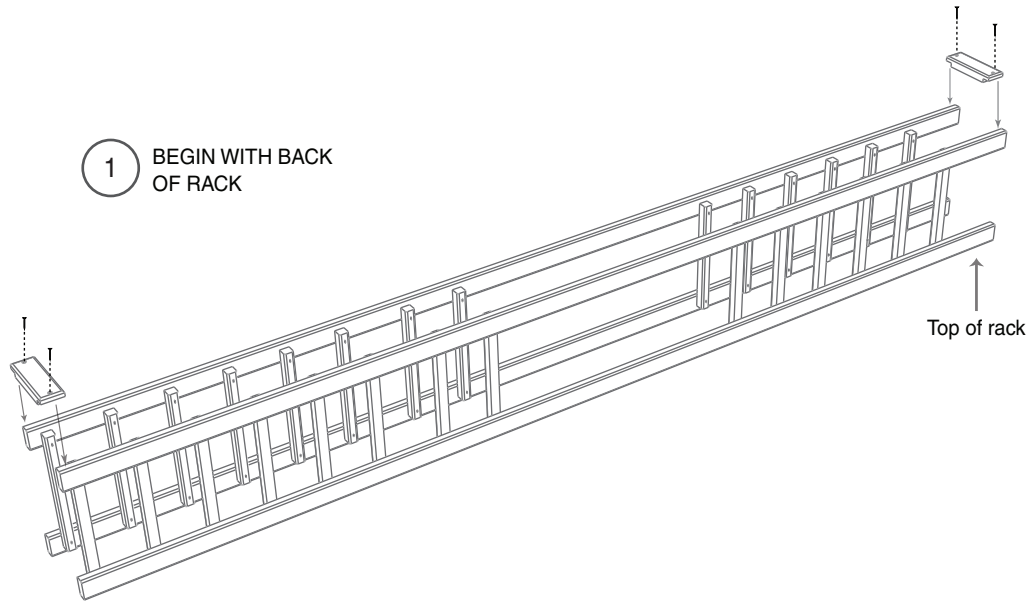
Questions?  
**888.373.6057**

or visit  
**wineracksamerica.com**

Page 2

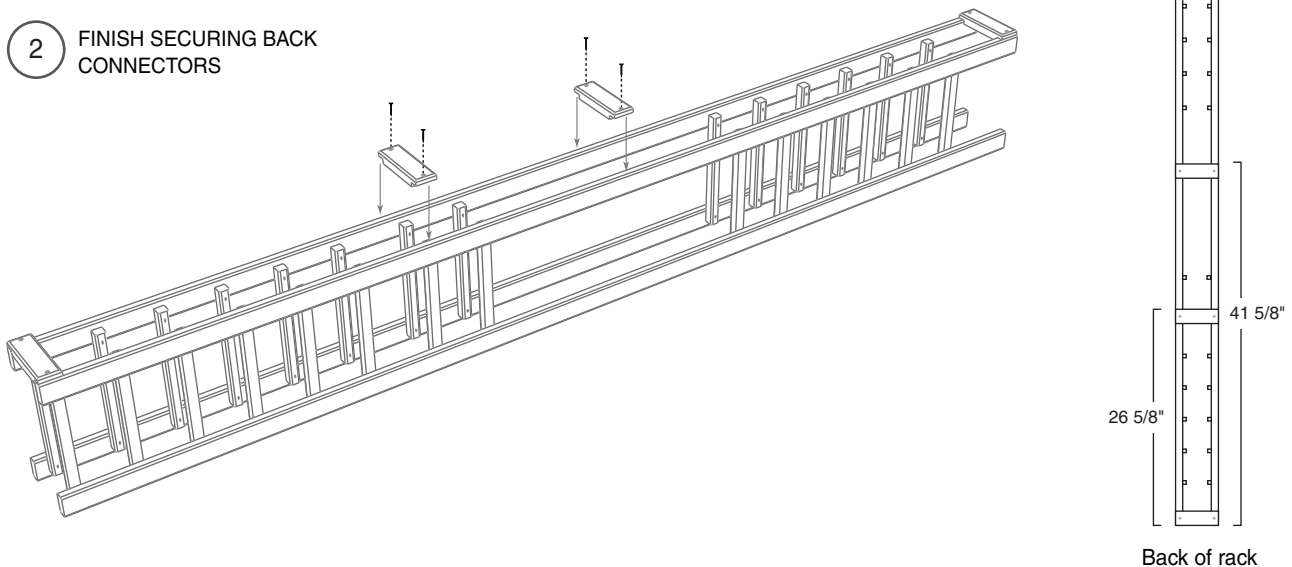
1. Find an open, flat area in which to work. Carefully remove all components from the box and remove banding with a utility knife. Check the parts list to verify package contents.
2. Arrange two end ladders on the floor so that the bottle support pieces face one another. Align the large gaps on each end ladder. The end with the larger gap is the top of your rack. Attach a standard column connector to the top and bottom of your rack using the screws provided. Make sure the connectors are flush with the top and bottom of your rack. (figure 1)

**\* Minimize the risk of splitting your ladders by drilling a 1/16" pilot hole before driving the wood screws. For best results, drive the screw most of the way in with your drill, then finish tightening by hand.**

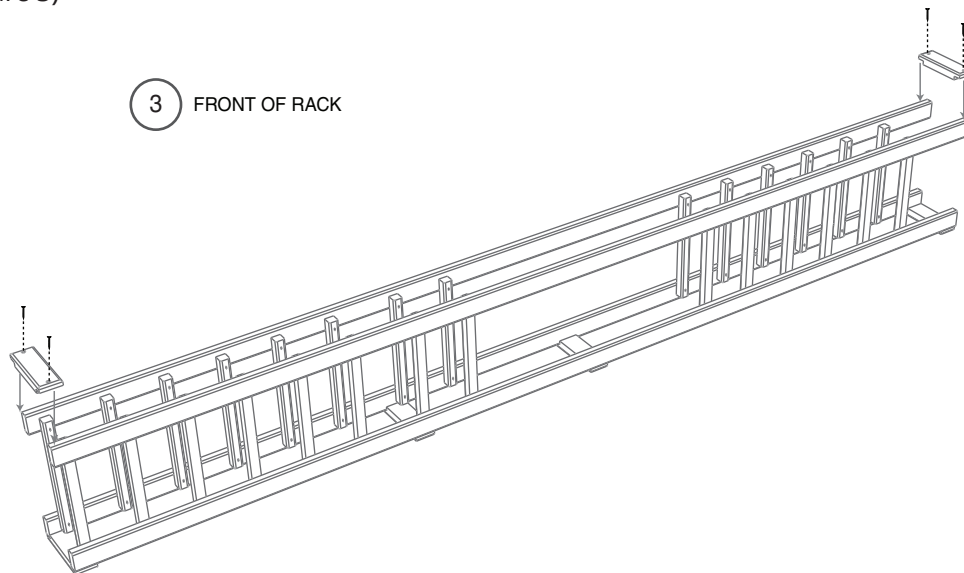


- 
3. Attach the middle standard connectors so that the top edge of the lower connector is 26 5/8" from the bottom of the rack, and the top edge of the upper connector is 41 5/8" from the bottom of the rack. Secure the middle connectors using the screws provided. This is the back of your rack. (figure 2)

**2** FINISH SECURING BACK CONNECTORS



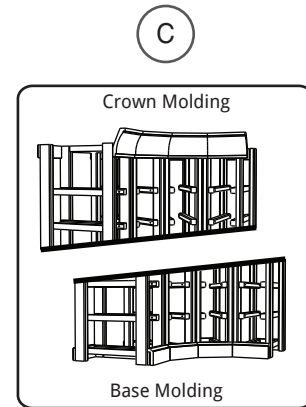
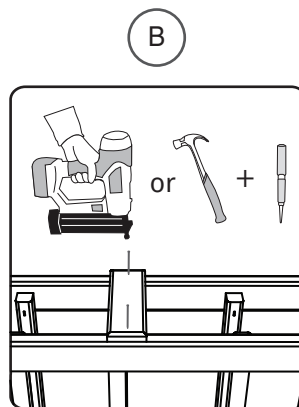
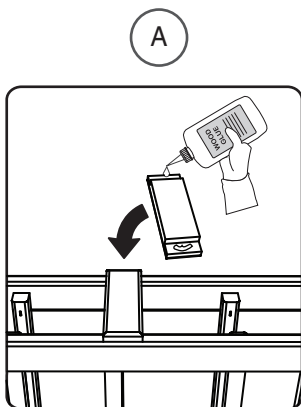
4. Flip rack over and secure a standard column connector to the top and bottom of your rack using the screws provided. (figure 3)



5. Attach the middle screwless connectors so that the top edge of the lower connector is 26 5/8" from the bottom of the rack, the top edge of the middle connector is 37 1/4" from the bottom of the rack, and the top edge of the upper connector is 51 3/4" from the bottom of the rack. Make sure the rack is flat on the floor while attaching the screwless connectors. (figure 4)

Display corner kits are designed to show no visible hardware on the front of the rack. Use of of these following methods to install the screwless connectors:

- A** For no visible hardware, add wood glue to the inside of each connector notch. Place the connector on your rack and carefully press each notch into place. Hold until glue is dry. (figure A)
- B** For a professional installation, secure the connectors using a finish nail gun to drive a nail through the connector into each vertical ladder. If you do not have a finish nail gun, drive one of the provided finish nails through the connector into each vertical ladder until it is flush. Then, countersink the nail using a nail setter until the head of the nail is about 1/16" below the surface of the wood. (figure B)
- C** (Optional) Purchase Crown and Base molding to cover the hardware of the top and bottom standard connectors on the front of the rack. (figure C)



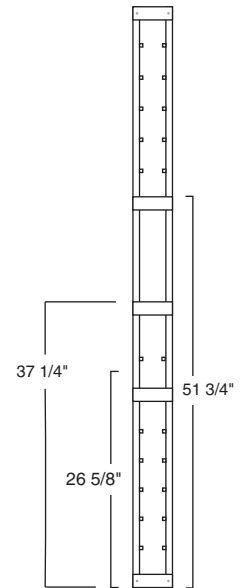
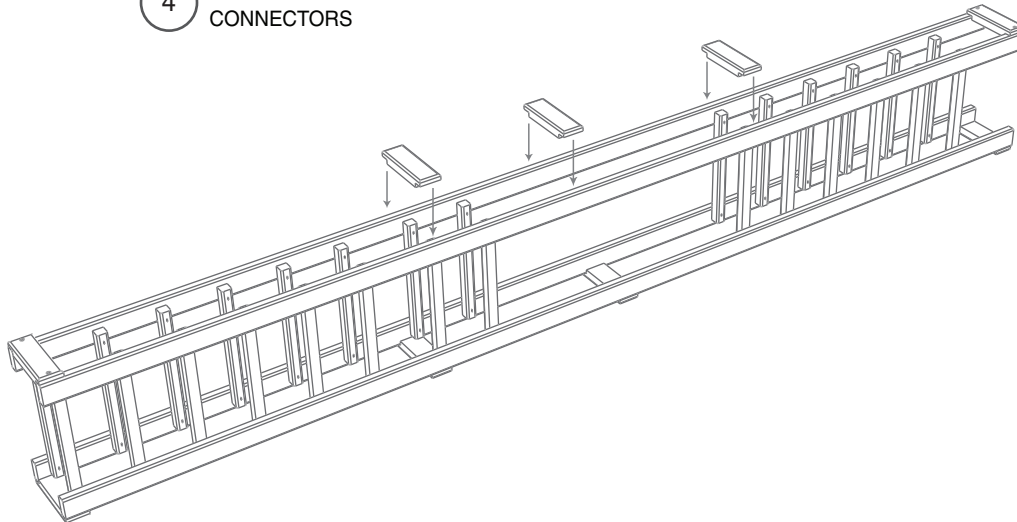


# 4 COLUMN DISPLAY ROW CORNER ASSEMBLY GUIDE

Page 4

Questions?  
**888.373.6057**  
or visit  
**wineracksamerica.com**

## 4 ATTACH SCREWLESS CONNECTORS



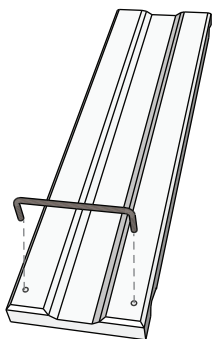
Front of rack

6. Fill the nail holes using the wood putty provided. Simply push the putty into each hole using your thumb and wipe excess putty off the surface using a damp cloth.

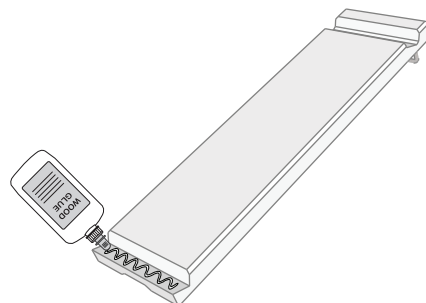
7. Insert a metal U-bar into the two pre-drilled holes of each display tray by pushing down on the U-bar until it reaches the bottom of the holes. (figure 5)

Stand your rack upright. To secure your display trays to your rack, apply a bead of wood glue to each of the two grooves on the back of the tray. (figure 6)

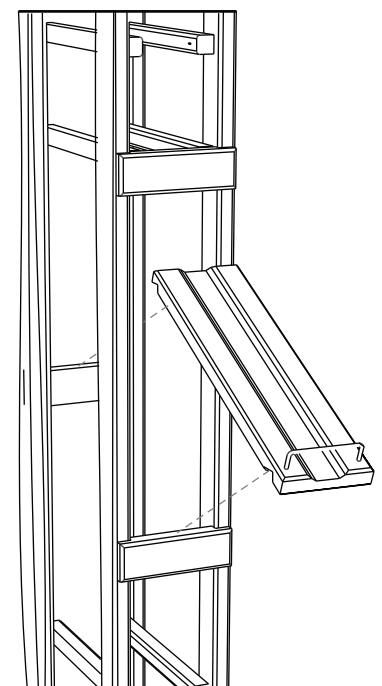
Then, put the tray into place so that the grooves rest on the upper middle connectors. (figure 7)



## 5 INSERT METAL U-BARS



## 6 APPLY WOOD GLUE



## 7 ATTACH DISPLAY TRAYS



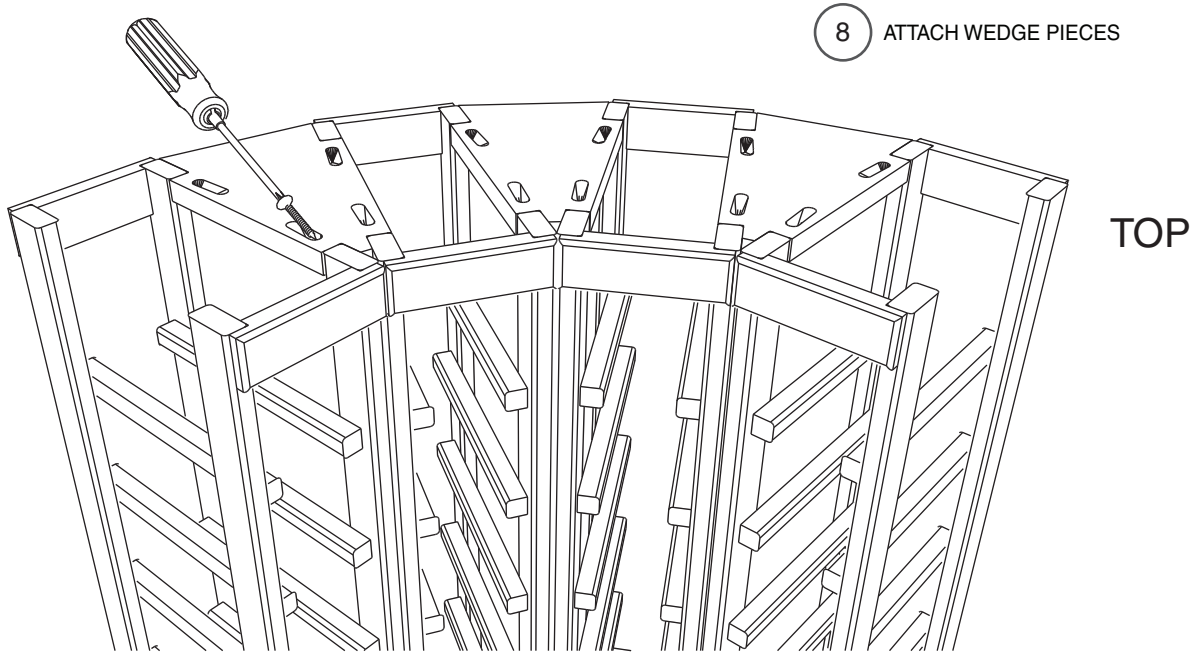
# 4 COLUMN DISPLAY ROW CORNER ASSEMBLY GUIDE

Page 5

Questions?  
**888.373.6057**

or visit  
**wineracksamerica.com**

- Repeat steps 1-7 until you have a total of 4 fully assembled 1 Column Display Cellar racks. If you purchased a 2 Column Display Row Corner kit, you will only assembly two - 1 Column Display Cellar racks.
- To attach the 1 column racks together, use a screwdriver and provided wood screws to attach each wedge piece to the vertical risers. Drill pilot holes to guide the wood screws and avoid splitting. Follow the same procedure on the bottom of the rack. (figure 8)



- That's it! Enjoy this beautiful rack with your favorite beverage. Pair with other rack styles for an ultimate cellar storage look.



**WINERACKSAMERICA.COM**

We would love to see your wine racks in use! Please feel free to send any photos of your racks to [photos@wineracksamerica.com](mailto:photos@wineracksamerica.com)

Once again, thank you for your business. Remember, customer service is available to answer any questions Monday-Friday 7:00 am - 5:00 pm MST. Please feel free to contact us for any wine storage needs.

360 North 700 West Suite F • North Salt Lake, UT 84054  
(toll free) 888-373-6057  
(fax) 801-936-0534