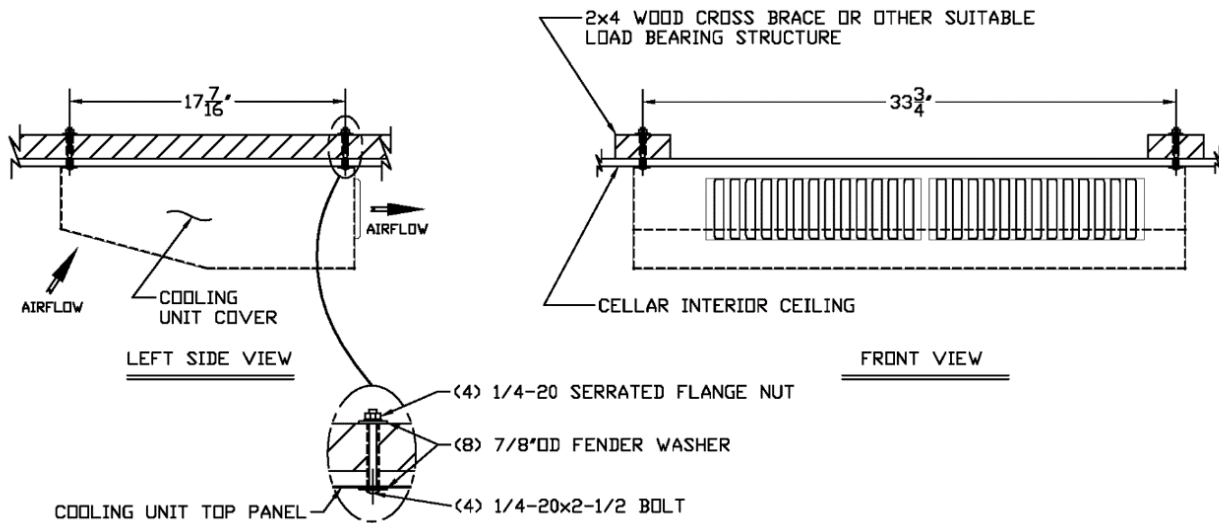


Evaporator Cut Sheet

3000SCM 6000SCM
4000SCM 8000SCM

3000/4000/6000/8000SCM EVAPORATOR MOUNTING DETAIL



MOUNTING INSTRUCTIONS:

1. SINGLE COOLING UNIT SHOWN. 6000SCM AND 8000SCM REQUIRE (2) COOLING UNITS, EACH MOUNTED AS SHOWN.
2. DRILL (4) 3/8"OD MOUNTING HOLES THROUGH CEILING AND SUPPORT STRUCTURE AT SPACING INDICATED. A SUITABLE LOAD BEARING SUPPORT STRUCTURE MAY NEED TO BE CONSTRUCTED ABOVE THE CEILING TO SUPPORT THE WEIGHT OF THE COOLING UNIT(S).
3. REMOVE THE UNIT COVER TO EXPOSE (4) MOUNTING HOLES LOCATED IN EACH CORNER OF THE UNIT TOP PANEL.
4. SECURE UNIT TO CEILING USING HARDWARE ASSEMBLY (PROVIDED IN PARTS KIT) AS SHOWN.

2024A_R00