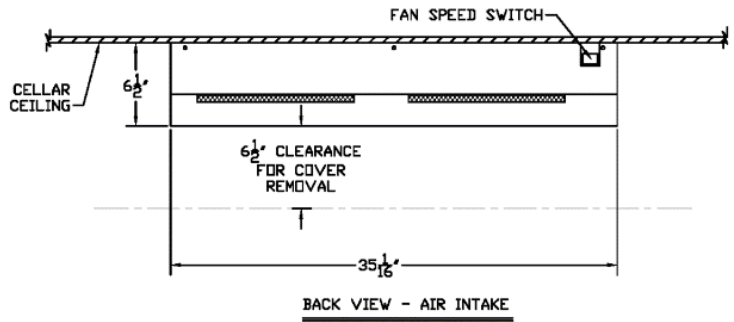
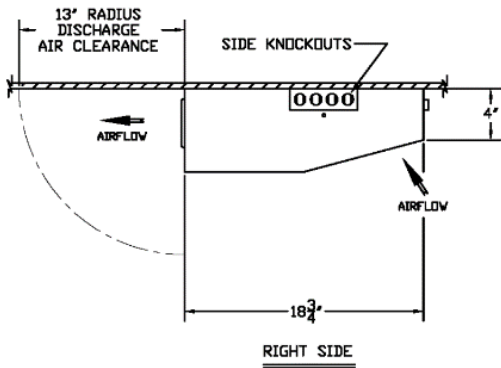
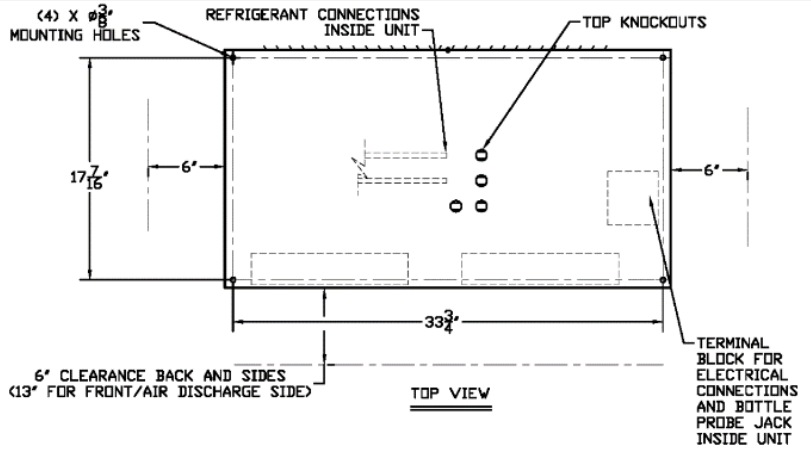


Evaporator Cut Sheet

3000SCM 6000SCM
4000SCM 8000SCM

NOTES:

1. SINGLE COOLING UNIT SHOWN. 6000SCM AND 8000SCM REQUIRE (2) COOLING UNITS. REFER TO DWG 2024C DUAL EVAPORATOR MOUNTING OPTIONS DIAGRAM.
2. ELECTRICAL, REFRIGERATION, AND DRAIN CONNECTION CAN BE ROUTED OUT THE TOP AND/OR RIGHT SIDE. REFER TO KNOCKOUT DETAIL DRAWING.
3. RECOMMENDED LOCATION IS IN THE CENTER OF THE CEILING WITH THE DISCHARGE AIR DIRECTED TOWARDS THE CELLAR DOOR.

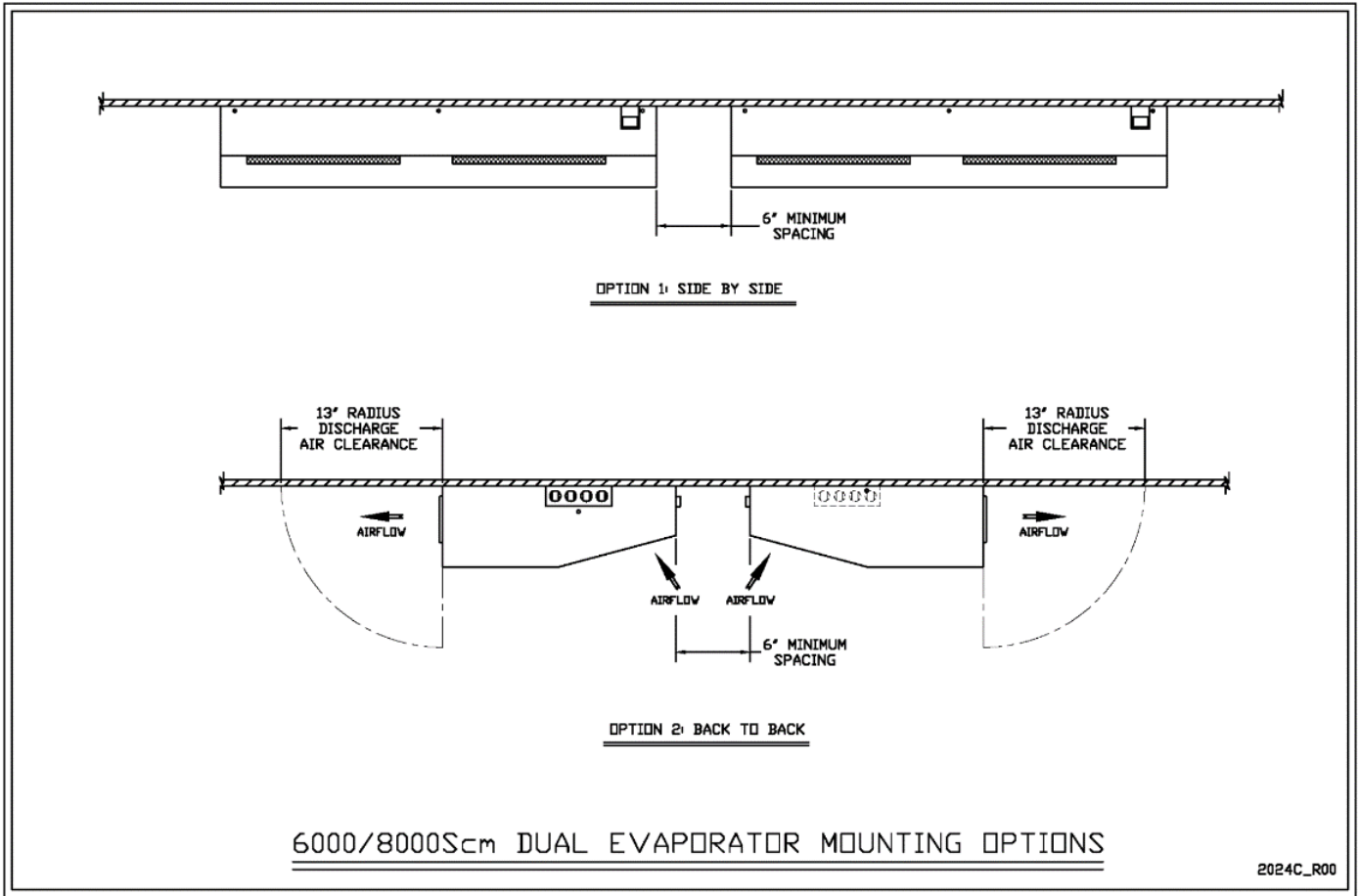


3000/4000/6000/8000SCM EVAPORATOR DIMENSIONS

2024B_R00

Evaporator Cut Sheet

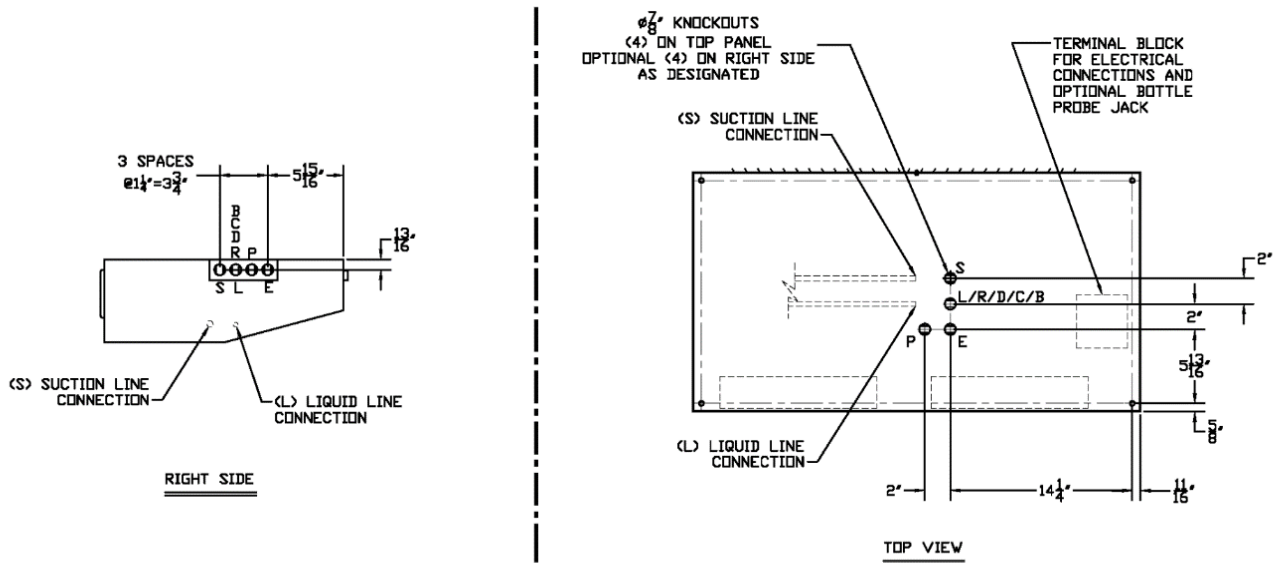
3000SCM 6000SCM
4000SCM 8000SCM



Evaporator Cut Sheet

3000SCM 6000SCM
4000SCM 8000SCM

KNOCKOUT LEGEND:
 L = LIQUID LINE
 S = SUCTION LINE
 E = MAIN POWER SUPPLY ELECTRICAL CONDUIT
 D = DRAIN LINE FROM CONDENSATE PUMP (FACTORY PROVIDED)
 R = REMOTE DISPLAY 18/2 THERMOSTAT LEADWIRE (FACTORY PROVIDED)
 B = BOTTLE PROBE LEADWIRE (OPTIONAL)
 P = DUAL EVAPORATOR INTERCONNECT POWER WIRING CONDUIT (6000/8000SCM ONLY)
 C = DUAL EVAPORATOR INTERCONNECT 18/2 THERMOSTAT LEADWIRE (FACTORY PROVIDED 6000/8000SCM ONLY)
 ALL KNOCKOUTS 7/8"



3000/4000/6000/8000SCM KNOCKOUT DETAIL

2024D_R00