

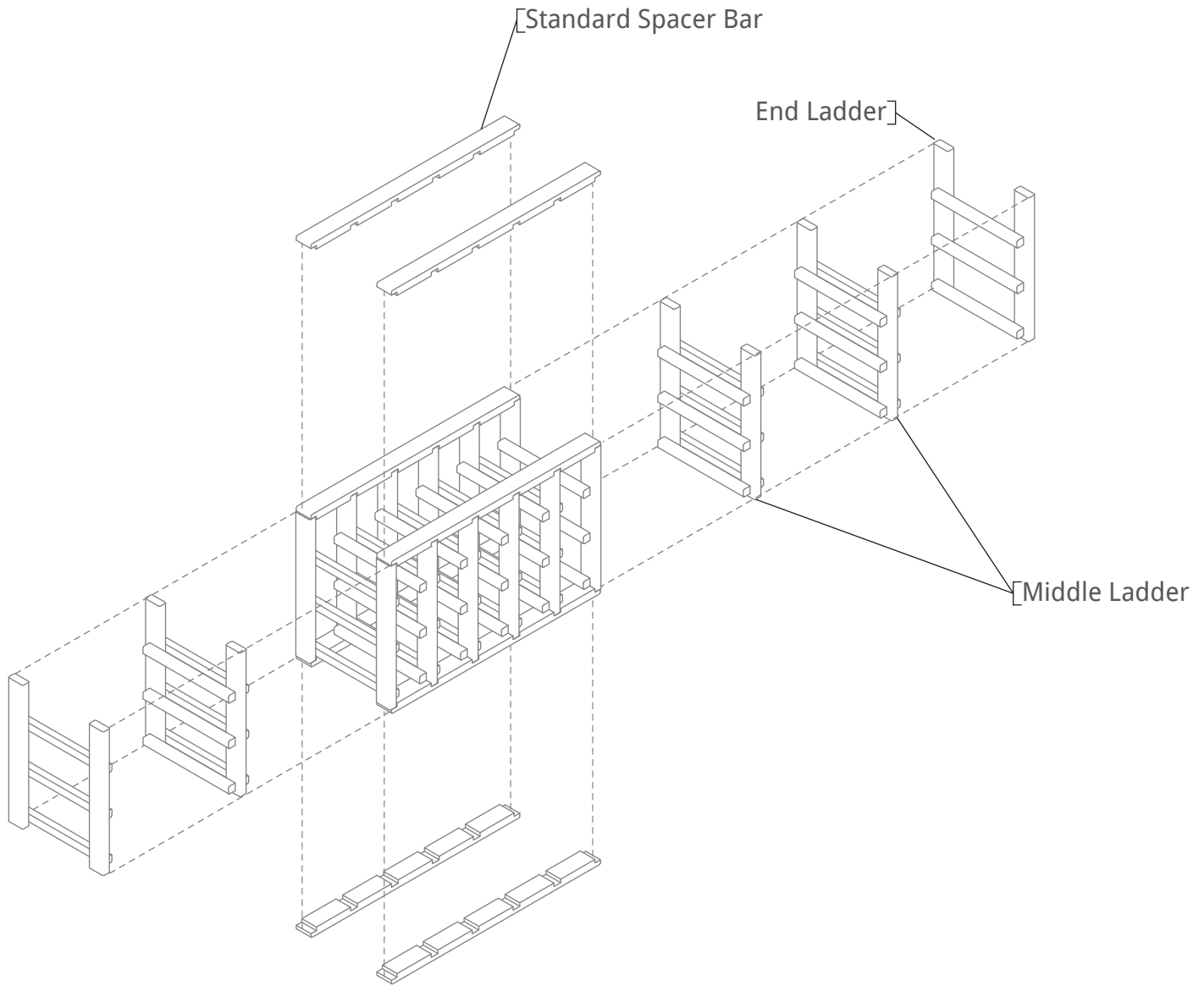


EXTENDER WINE CELLAR KITS ASSEMBLY GUIDE

Page 1

Questions?
888.373.6057

or visit
wineracksamerica.com

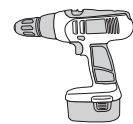


PACKAGE CONTENTS

*Please verify that you have the correct number of parts before proceeding.
Depending on the model you purchased, your bundle should contain the following:

RACK	MIDDLE LADDERS	END LADDERS	STANDARD SPACER BARS	1" SCREWS
10 column	9	2	4	44
9 column	8	2	4	40
8 column	7	2	4	36
7 column	6	2	4	32
6 column	5	2	4	28
5 column	4	2	4	24
4 column	3	2	4	20
3 column	2	2	4	16
2 column	1	2	4	12
1 column	0	2	4	8

TOOLS FOR ASSEMBLY



Cordless Drill



Utility Knife



Wood Glue



Finish Nailer



Hammer



Nail Setter

*All models follow the same assembly procedure varying only in the number of middle ladders your rack will require.



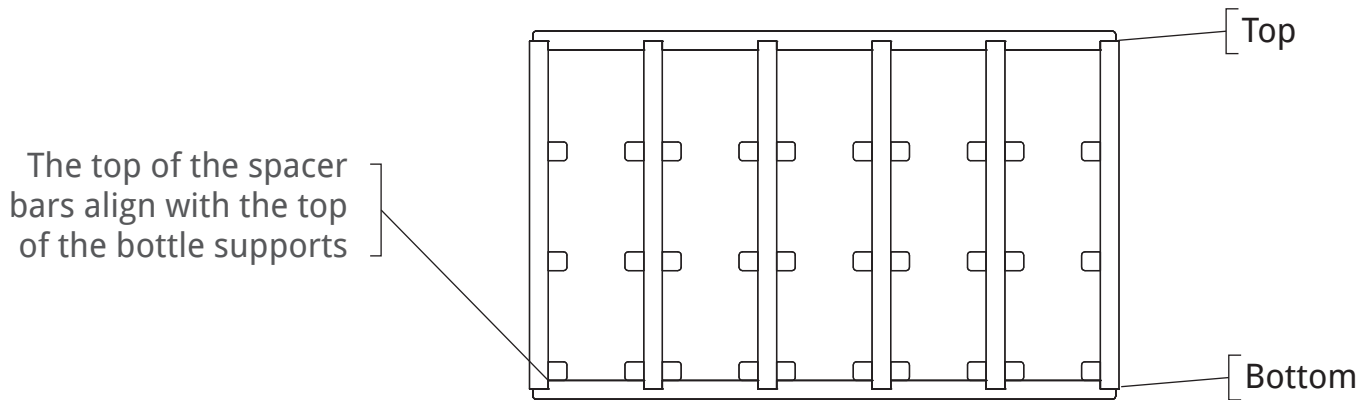
EXTENDER WINE CELLAR KITS ASSEMBLY GUIDE

Questions?
888.373.6057

or visit
wineracksamerica.com

Page 2

- * Minimize the risk of splitting your ladders by drilling a 1/16" pilot hole before driving the wood screws. For best results, drive the screw most of the way in with your drill, then finish tightening by hand.



ATTACHING YOUR RACK TO THE WALL

Depending on how many bottles you store, your wine cellar rack could weigh as much as 540 lbs. To avoid tipping attach your racking to the wall using one of the following methods.

1. Put the rack in the desired location.
2. Shim the front of the rack so it is parallel with the wall behind it.
3. Locate a wall stud behind the rack.
4. Drive a 2 1/2" wood screw through a back spacer bar to attach to the stud.

1. Use "L" brackets (located at any hardware store).
2. Attach to both the rack and the wall in any out of the way spot.

