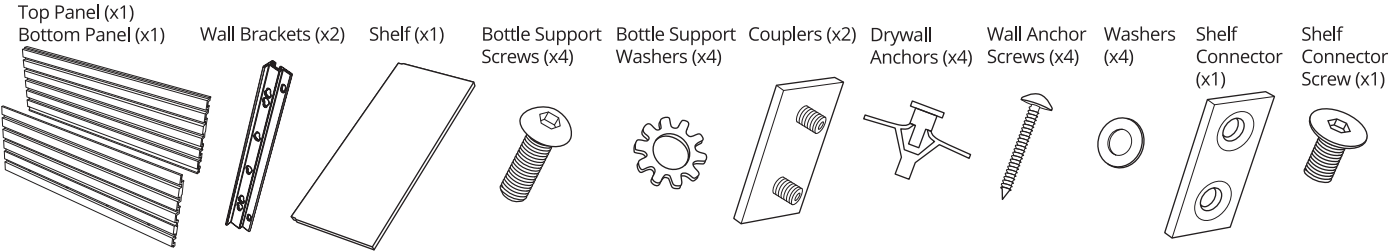
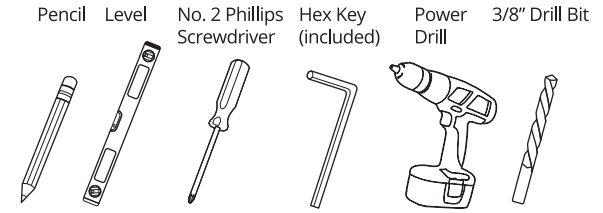


## Hardware

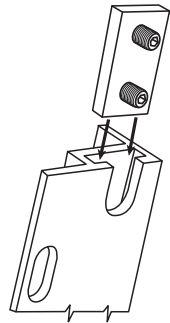


## Tools Required

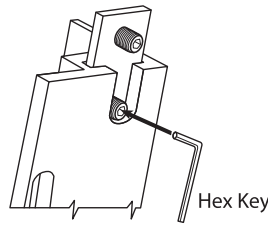


## 01 Connect wall brackets

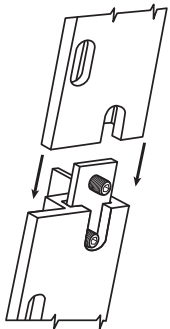
If your STACT wine wall will be 2 or more panels high, you'll want to secure them together. Otherwise proceed to step 2.



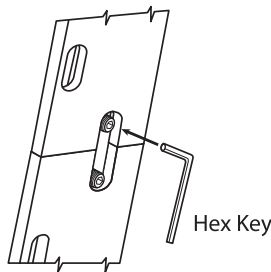
**a.** Insert coupler half way into wall bracket opening.



**b.** Tighten screw until securely fastened.

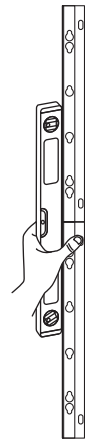


**c.** Insert coupler into second wall bracket opening.

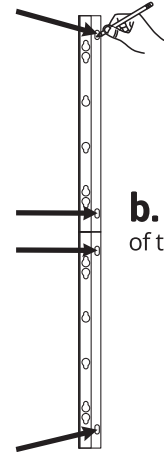


**d.** Tighten until securely fastened.

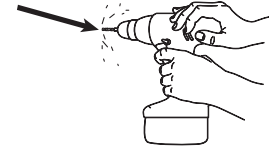
## 02 Attach wall brackets to wall



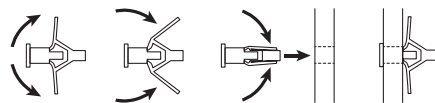
**a.** Once you have decided where to place your STACT panels, using a level, position the left set of brackets against the wall in its intended position.



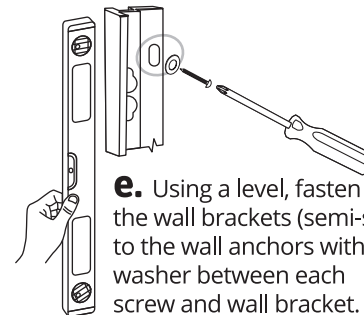
**b.** Mark the center of each of the elliptical openings.



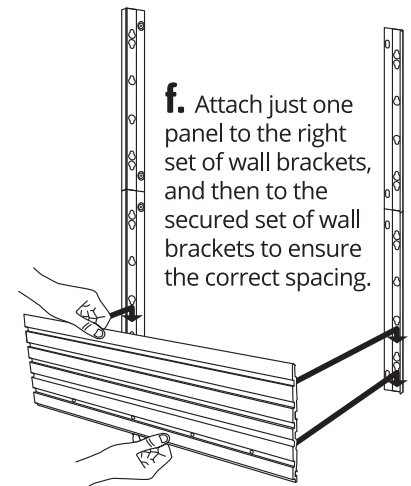
**c.** Drill into pencil marks using 3/8" drill bit (if a stud is present, instead screw directly into the stud).



**d.** Insert wall anchors into wall.



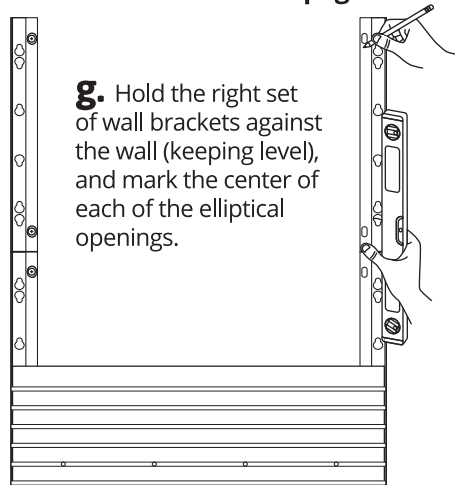
**e.** Using a level, fasten the wall brackets (semi-snug) to the wall anchors with a washer between each screw and wall bracket.



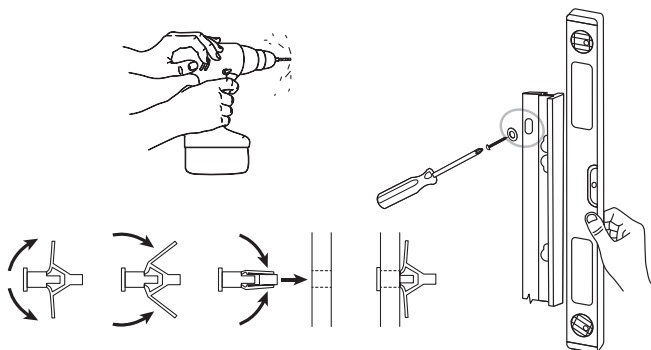
**f.** Attach just one panel to the right set of wall brackets, and then to the secured set of wall brackets to ensure the correct spacing.

Continue on reverse...

## 02 Continued from page 1

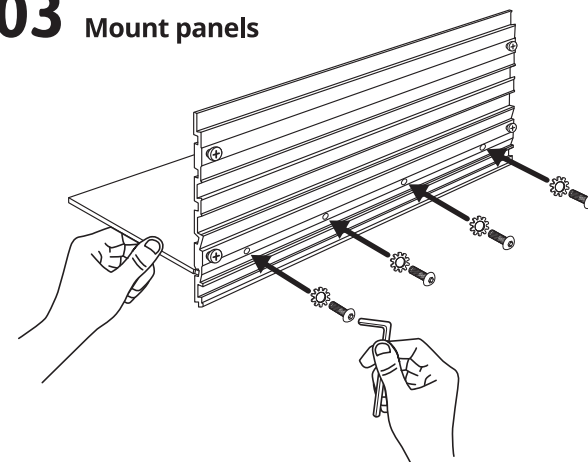


**g.** Hold the right set of wall brackets against the wall (keeping level), and mark the center of each of the elliptical openings.



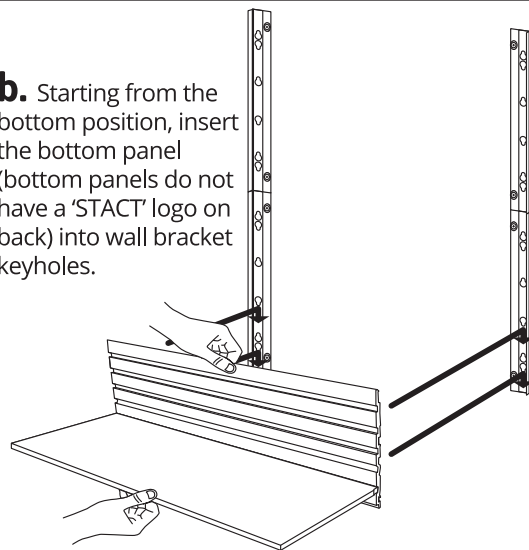
**h.** Fasten right set of wall brackets by simply repeating steps c. through e.

## 03 Mount panels

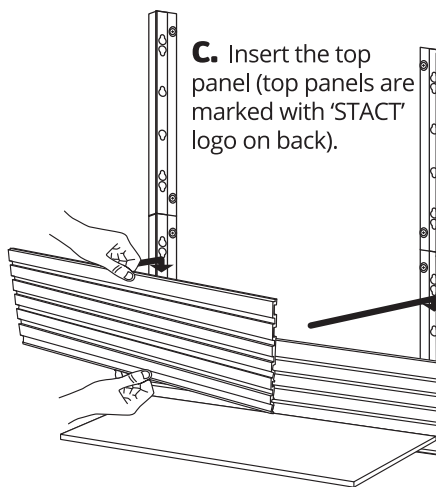


**a.** Using the hex key tightly secure the Shelf to the panel with the included fasteners and washers.

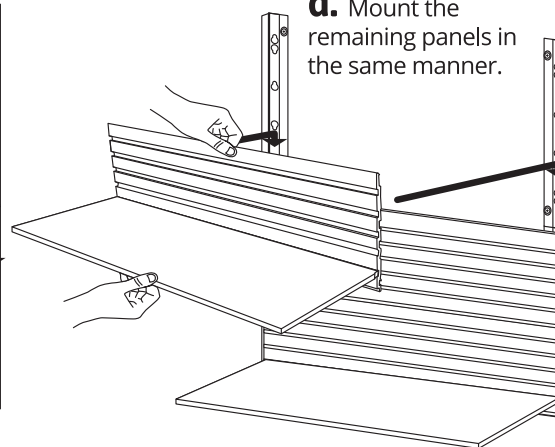
**b.** Starting from the bottom position, insert the bottom panel (bottom panels do not have a 'STACT' logo on back) into wall bracket keyholes.



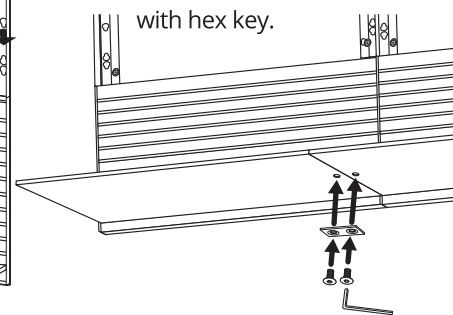
**c.** Insert the top panel (top panels are marked with 'STACT' logo on back).



**d.** Mount the remaining panels in the same manner.



**Note:** If you are mounting 2 or more shelves, you will want to connect them together with the included shelf connector. Fasten shelf connector screws with hex key.



## 04 Proceed to next column

**a.** Repeat steps 1 through 3, ensuring wall brackets are butted up tightly between each column.

Congratulations, you are all done!  
We'd love to see how you 'STACT' them. Follow us on instagram and tag your rack with #getSTACT.  
Questions? Visit [www.getSTACT.com/install](http://www.getSTACT.com/install) for further assistance.

© STACT Wine Displays Inc. All rights reserved.  
Liability notice: The STACT system could fail if the instructions are not followed precisely. We are unable to accept any liability for systems that are not installed according to our instructions. We are not able to accept any liability for the poor condition of walls, onto which the system is installed. If you choose not to follow these instructions, we will be unable to accept any liability for a subsequent failure in your wall and/or the STACT system.