



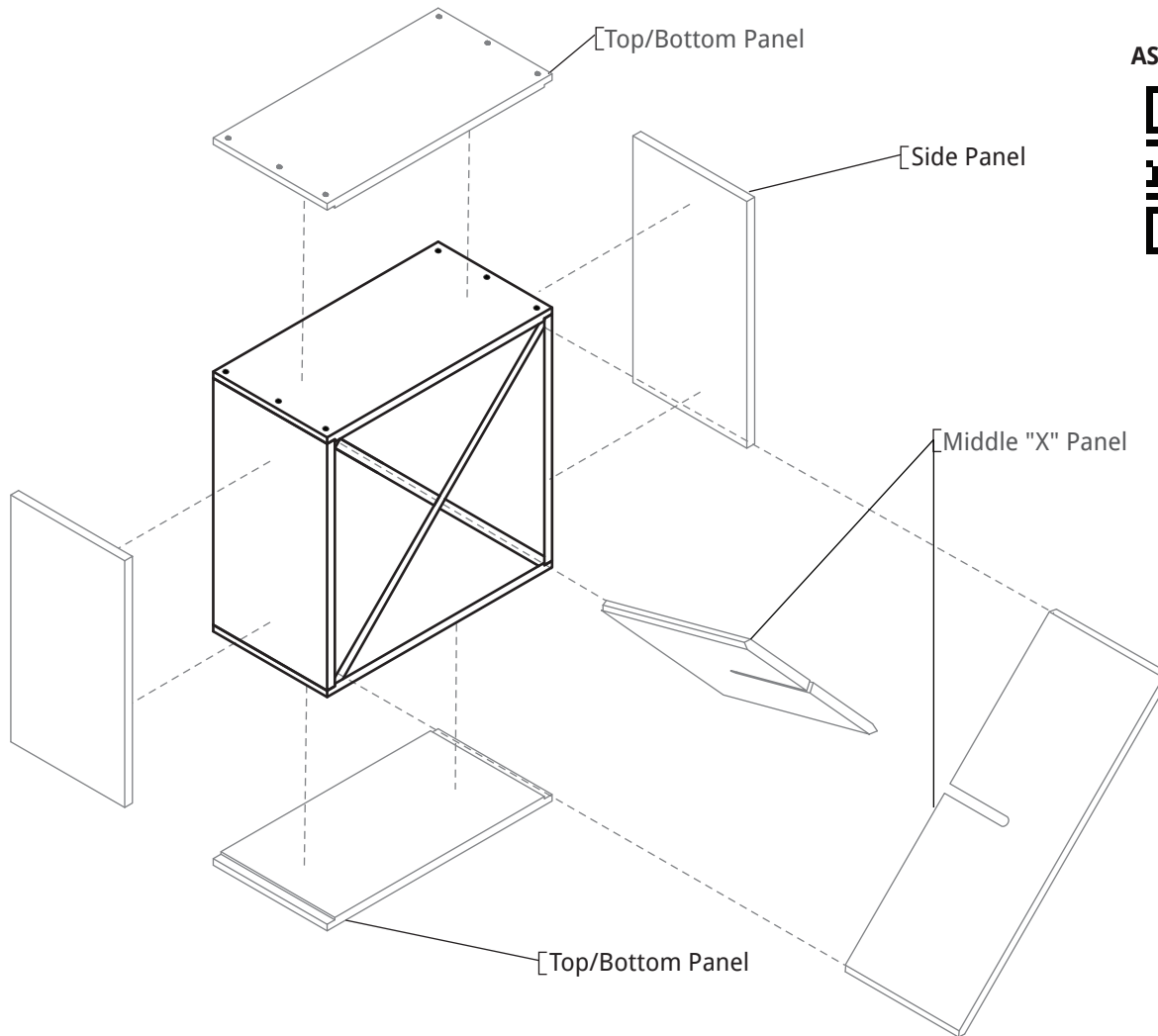
WINE STORAGE CUBES ASSEMBLY GUIDE

Page 1

Questions?
888.373.6057

or visit
wineracksamerica.com

SCAN FOR
ASSEMBLY VIDEO

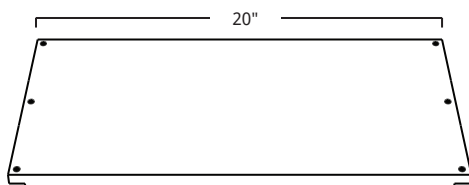


PACKAGE CONTENTS

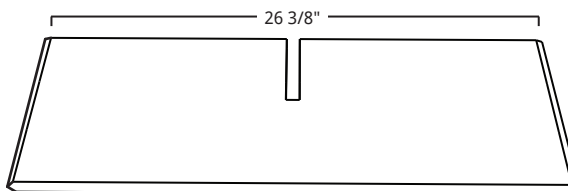
TOOLS FOR ASSEMBLY

*Please verify that you have the correct number of parts before proceeding.
Depending on the model you purchased, your bundle should contain the following:

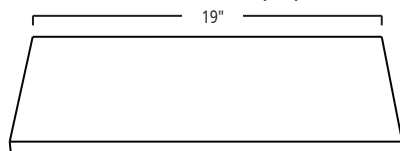
TOP & BOTTOM PANEL (X2)



MIDDLE "X" PANEL (X2)

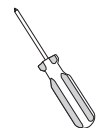


SIDE PANEL (X2)



WOOD SCREWS

Required

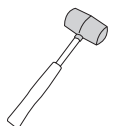


Screwdriver

Suggested



Cordless Drill



Rubber Mallet

*All models follow the same assembly procedure varying only in the number of parts your rack will require.



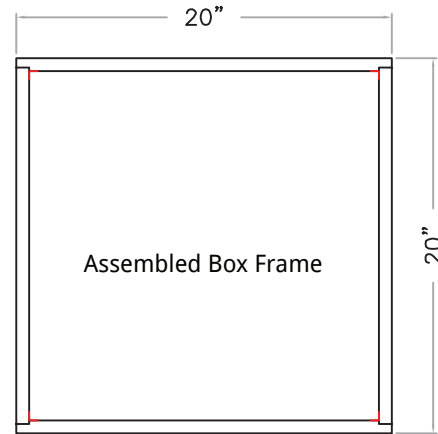
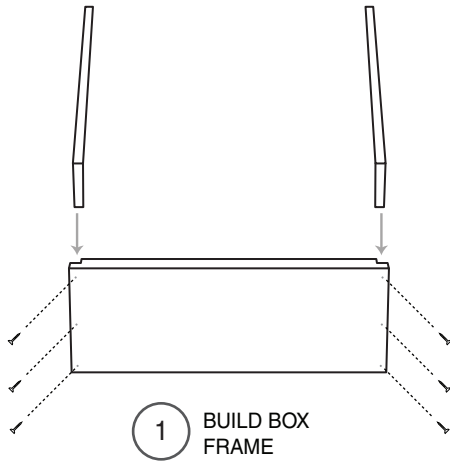
WINE STORAGE CUBES ASSEMBLY GUIDE

Page 2

Questions?
888.373.6057
or visit
wineracksamerica.com

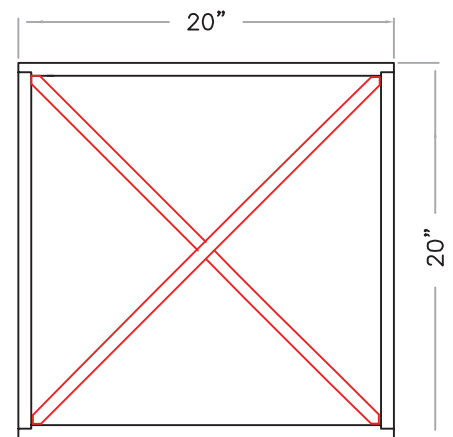
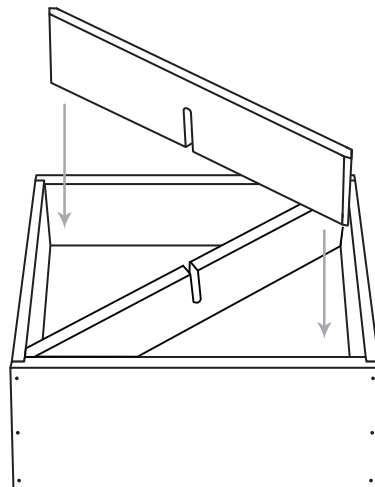
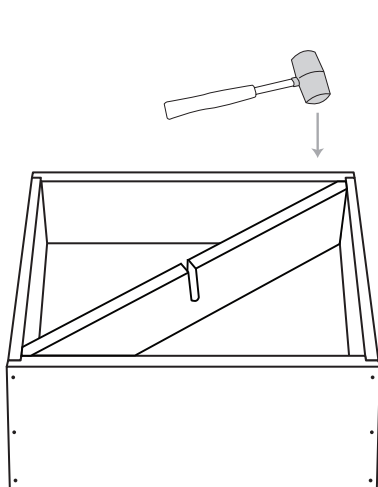
1. Find an open, flat area in which to work. Carefully remove all components from the box and remove banding or protective wrapping. Check the parts list to verify package contents.
2. Using the included hardware, screw both side frame panels into the notch on the bottom frame panel. Once attached repeat the process for the top frame panel. (figure 1)

* Minimize the risk of splitting the wood by drilling a 1/16" pilot hole before driving the wood screws. For best results, drive the screw most of the way in with your drill, then finish tightening by hand.



-
3. Lay the assembled frame flat on the ground. Insert the first Middle "X" panel into the assembled frame with the notch facing upward. (figure 2)
 4. Insert the remaining "X" panel into the frame by matching up the notches and sliding down into place. (figure 3)

* DO NOT FORCE! Carefully work the "X" panels into place until they settle flush with the frame. If necessary, use a rubber mallet to lightly tap it into place.



5. Stand your rack upright and that's it! Repeat this assembly process for any remaining cubes. Stack cubes in any configuration you like once they are assembled.