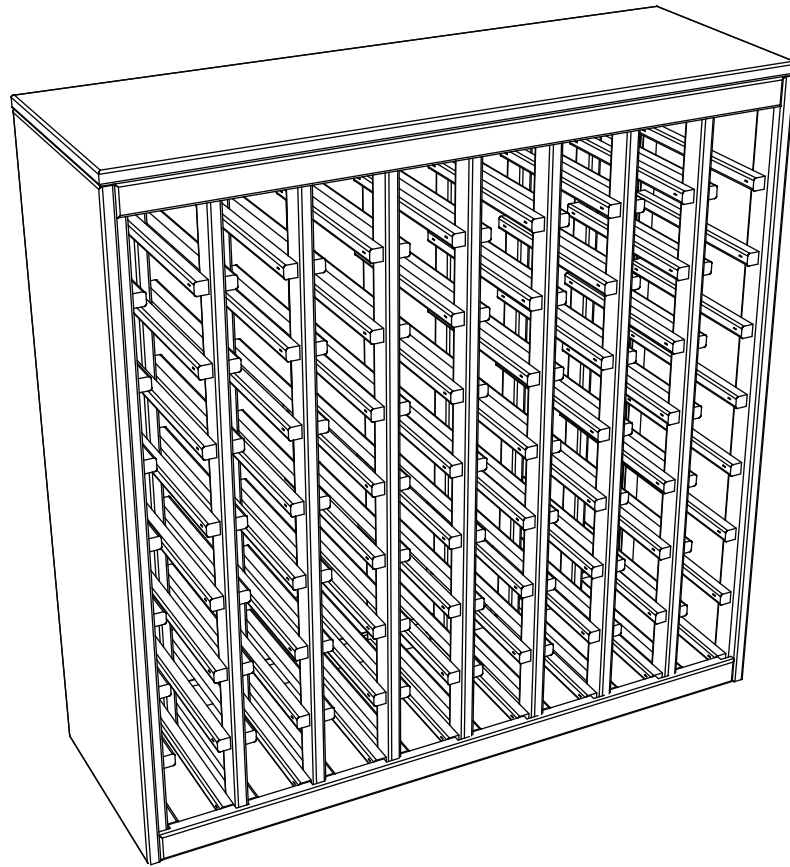




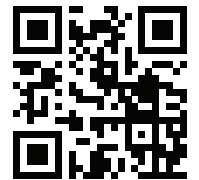
# DELUXE STYLE RACKS ASSEMBLY GUIDE

Page 1

Questions?  
**888.373.6057**  
or visit  
**wineracksamerica.com**



SCAN FOR  
ASSEMBLY VIDEO



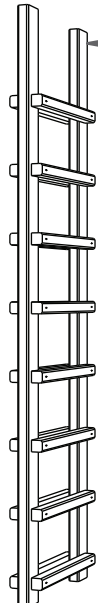
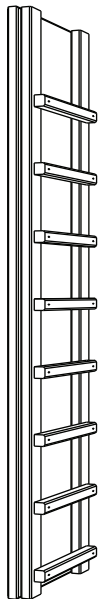
## PACKAGE CONTENTS

## TOOLS FOR ASSEMBLY

\*Please verify that you have the correct number of parts before proceeding.  
Depending on the model you purchased, your bundle should contain the following:

END LADDER (X2)

MIDDLE LADDER

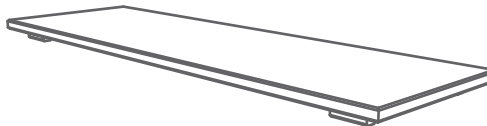


DELUXE MODEL	MIDDLE LADDERS
36 BOTTLE RACK	[5x]
64 BOTTLE RACK	[7x]
100 BOTTLE RACK	[9x]
144 BOTTLE RACK	[11x]

STANDARD CONNECTOR (X4)



SOLID TOP (X1)

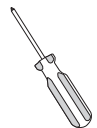


SCREW CAPS



WOOD SCREWS

### Required



Screwdriver



Wood Glue

### Suggested

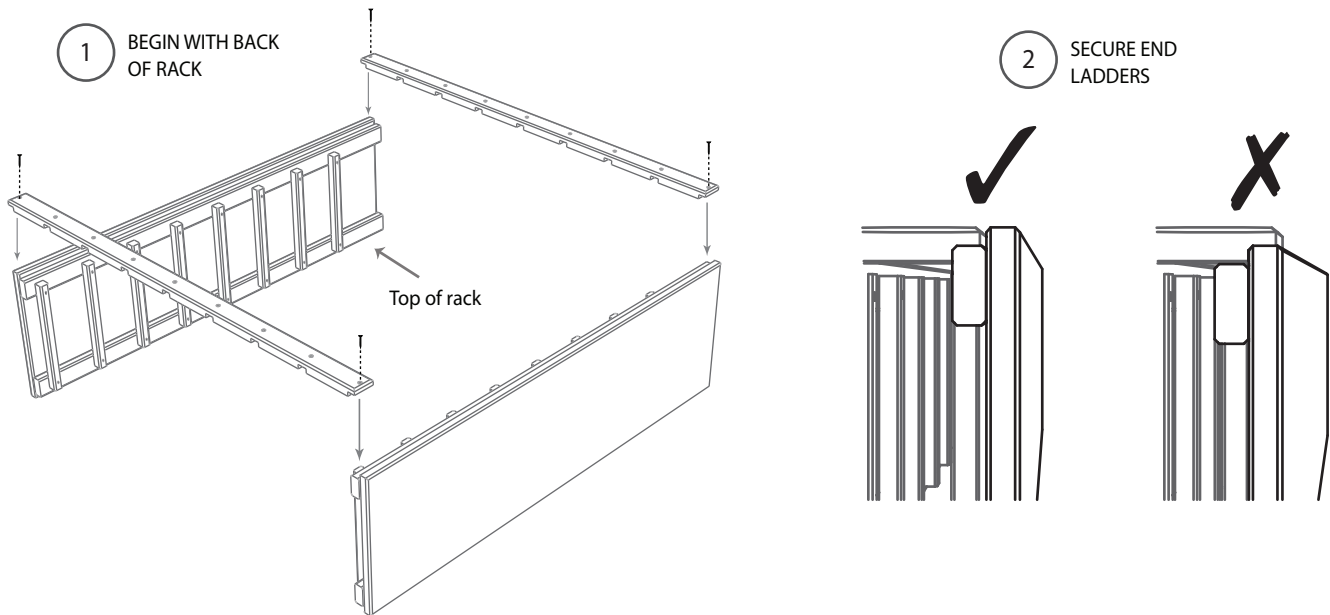


Cordless Drill

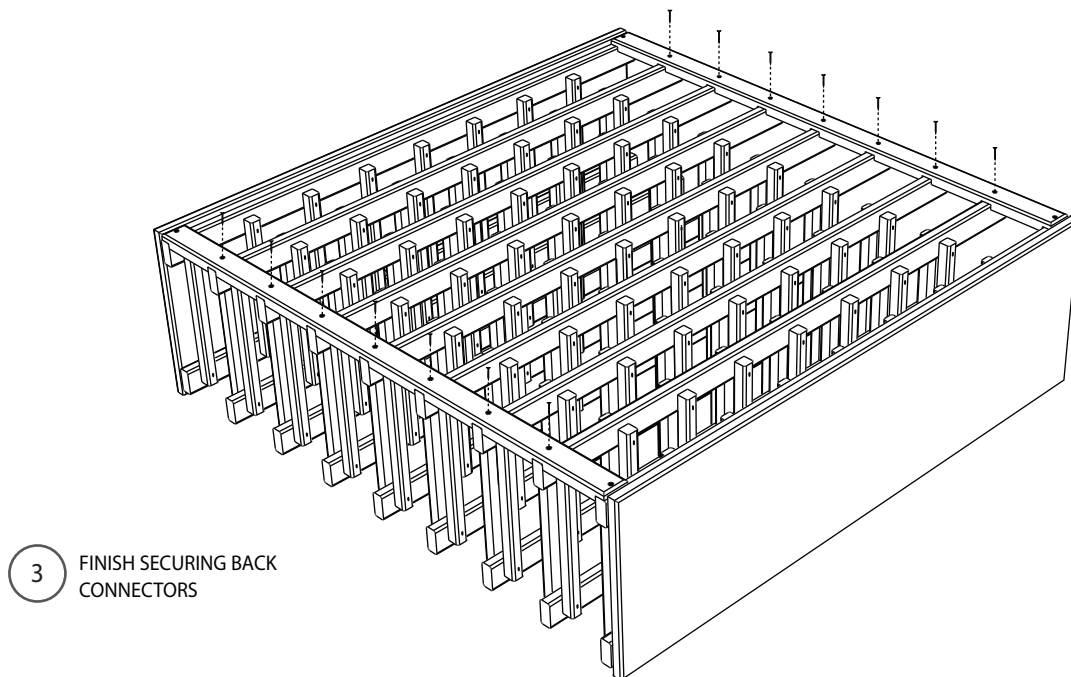
\*All models follow the same assembly procedure varying only in the number of middle ladders your rack will require.

1. Find an open, flat area in which to work. Carefully remove all components from the box and remove banding with a utility knife. Check the parts list to verify package contents.
2. Arrange the end ladders on the floor so that the bottle support pieces face one another. Align the large gaps on each end ladder. The end with the larger gap is the top of your rack. Attach a standard column connector to the top and bottom of your rack using the screws provided. Make sure the connectors are flush with the top and bottom of your rack. (figure 1)

Make sure you do not attach the connector to the solid side panel when securing the end ladders. (figure 2)



- 
3. Insert the middle ladders and finish securing the top & bottom connectors using the screws provided. (figure 3)





# DELUXE STYLE RACKS

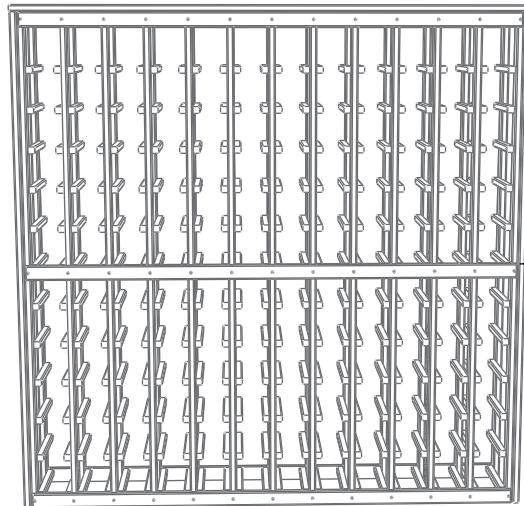
## ASSEMBLY GUIDE

Questions?  
**888.373.6057**

or visit  
**wineracksamerica.com**

Page 3

**\*NOTE:** If you purchased a 120 Bottle Deluxe Rack, your unit will come with 1 extra standard connector. Attach connector to the back of the rack with a cordless drill or screwdriver.



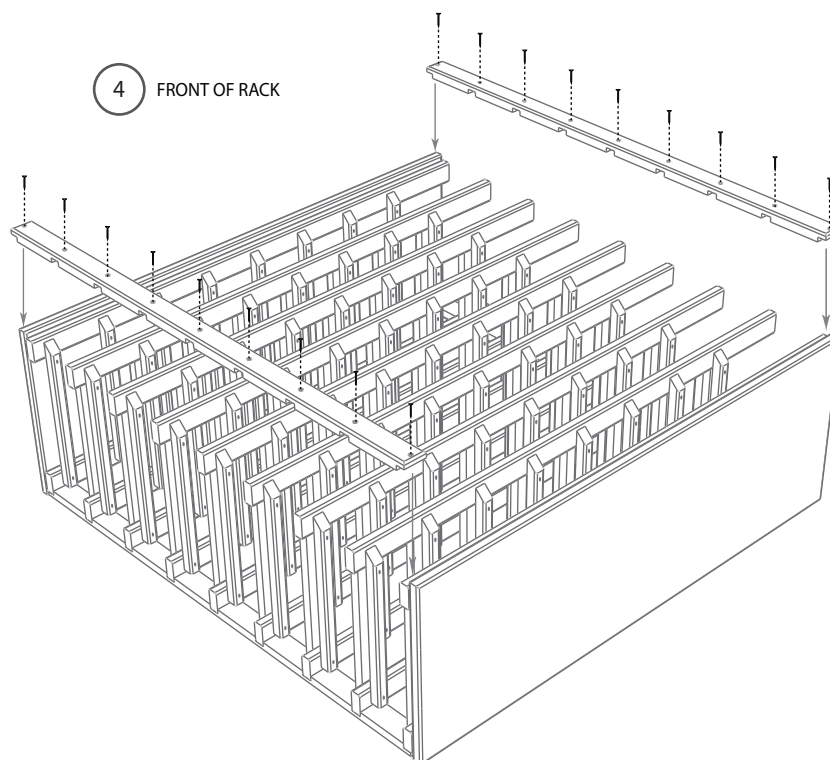
### IMPORTANT!

Measurements are from the bottom of the rack to the top of the connector

25 11/16"

- 
4. Flip rack over. Attach the remaining connectors to the top and bottom of the rack using the provided screws. (figure 4)

Cover the screw holes on the front connectors using the provided adhesive screw covers.





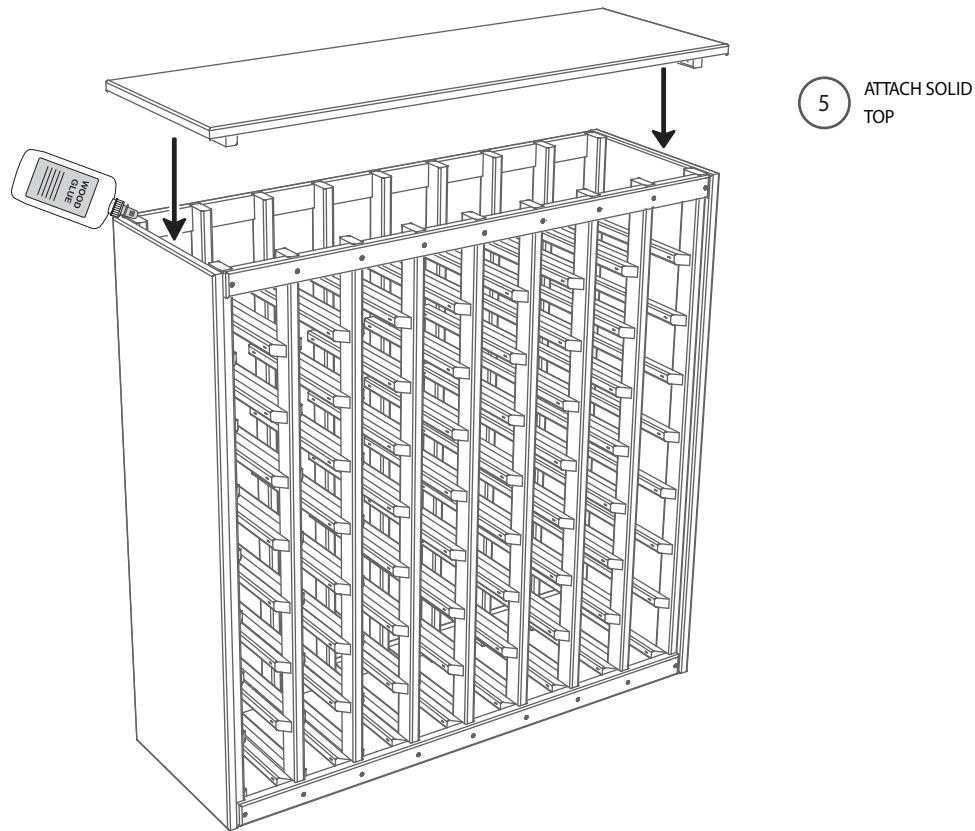
# DELUXE STYLE RACKS ASSEMBLY GUIDE

Page 4

Questions?  
**888.373.6057**  
or visit  
**wineracksamerica.com**

- Stand the rack up and insert the solid top into place on top of the rack. The bottom side of the solid top will have wooden cleats in place to ensure proper alignment of the top. (figure 5)

Secure the solid top by adding wood glue to the tops of each vertical riser. Hold until glue is dry.



That's it! Fill this beautiful rack with your favorite wines and enjoy! Pair with other rack styles for an ultimate cellar storage look.



**WINERACKSAMERICA.COM**

We would love to see your wine racks in use! Please feel free to send any photos of your racks to [photos@wineracksamerica.com](mailto:photos@wineracksamerica.com)

Once again, thank you for your business. Remember, customer service is available to answer any questions Monday-Friday 7:00 am - 5:00 pm MST. Please feel free to contact us for any wine storage needs.

360 North 700 West Suite F • North Salt Lake, UT 84054  
(toll free) 888-373-6057  
(fax) 801-936-0534