

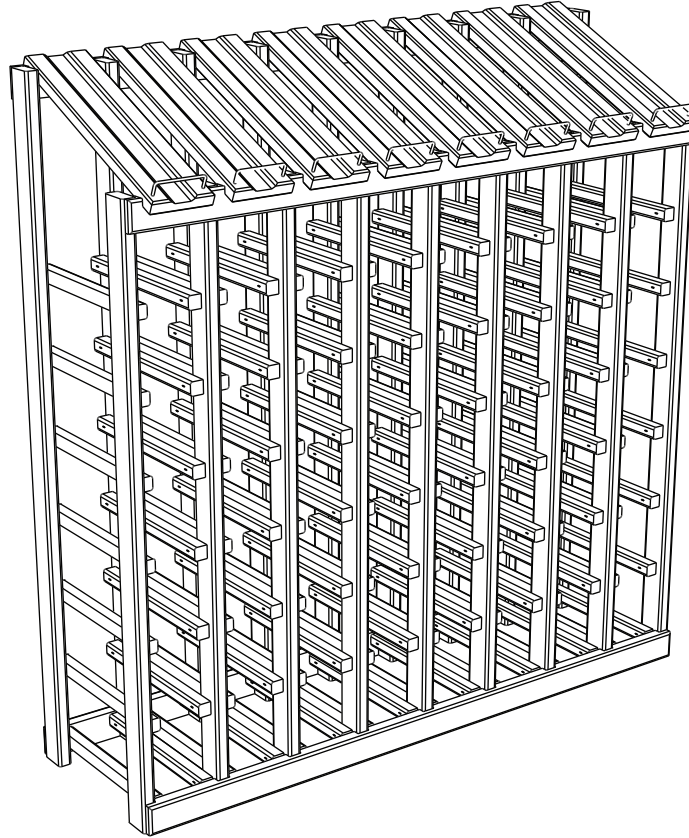


DISPLAY TOP RACKS ASSEMBLY GUIDE

Page 1

Questions?
888.373.6057

or visit
wineracksamerica.com



SCAN FOR
ASSEMBLY VIDEO

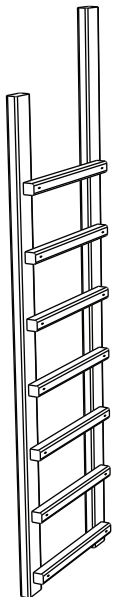


PACKAGE CONTENTS

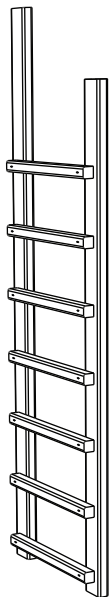
TOOLS FOR ASSEMBLY

*Please verify that you have the correct number of parts before proceeding.
Depending on the model you purchased, your bundle should contain the following:

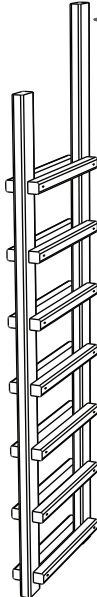
LEFT
END LADDER



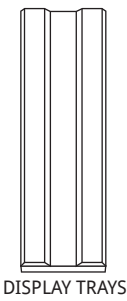
RIGHT
END LADDER



MIDDLE
LADDER



# OF COLUMNS	MIDDLE LADDERS
1	0
2	1
3	2
4	3
5	4
6	5
7	6
8	7
9	8
10	9



DISPLAY TRAYS



METAL U-BARS

STANDARD CONNECTOR (X4)

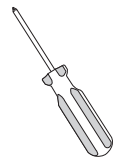


SCREW COVERS



WOOD SCREWS

Required

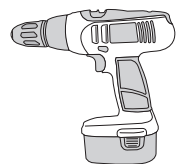


Screwdriver



Wood Glue

Suggested



Cordless Drill

*All models follow the same assembly procedure varying only in the number of middle ladders your rack will require.



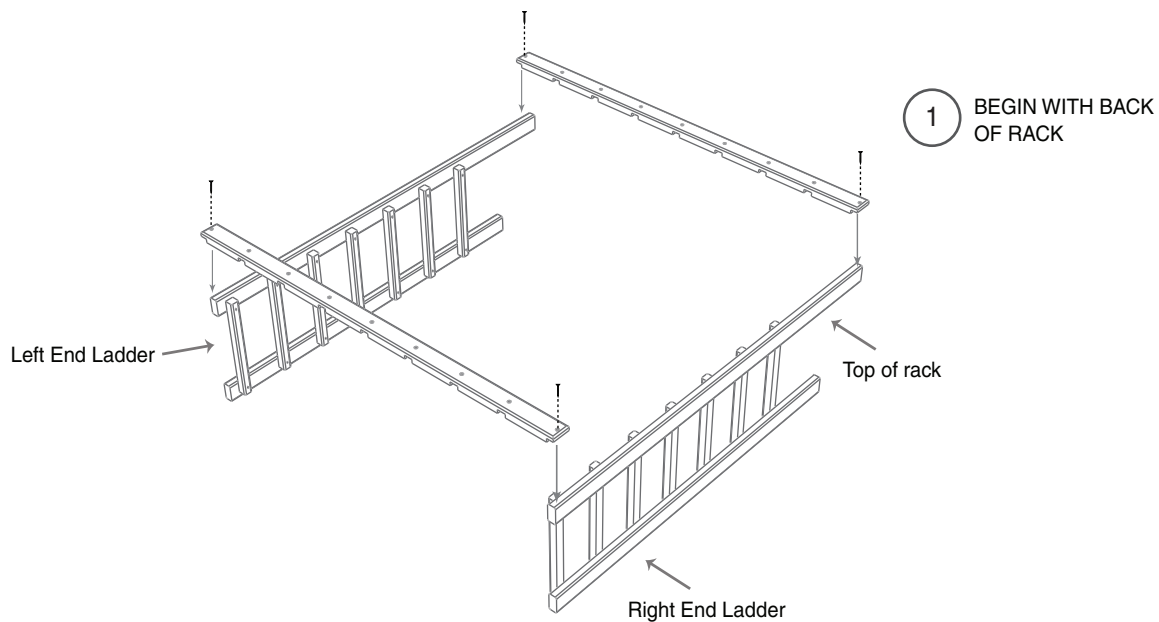
DISPLAY TOP RACKS ASSEMBLY GUIDE

Questions?
888.373.6057

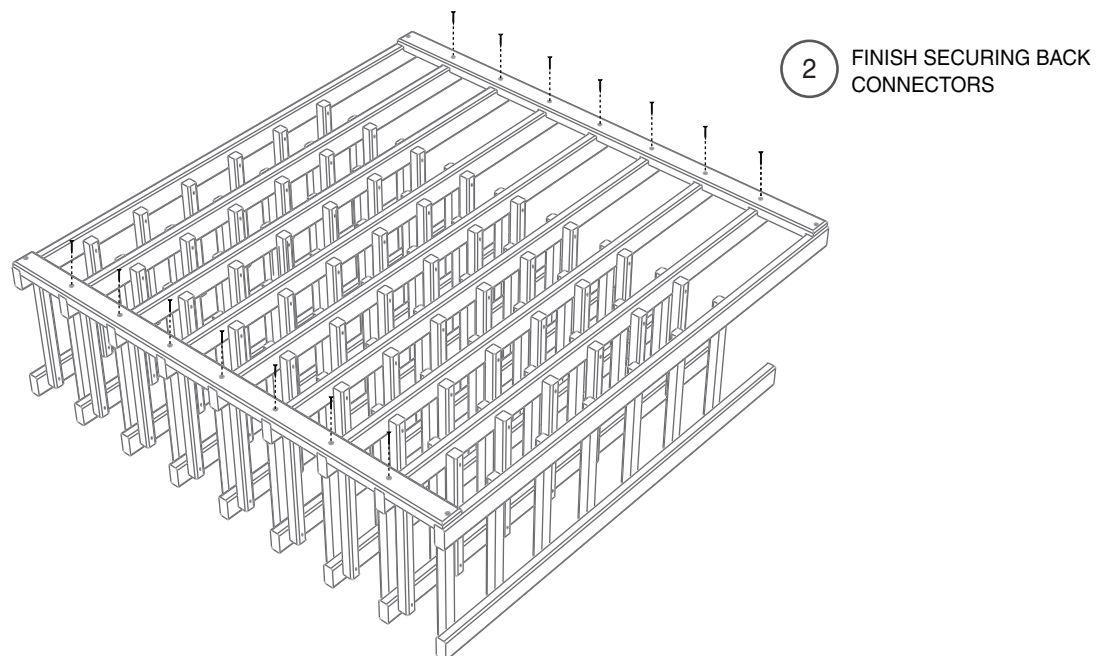
or visit
wineracksamerica.com

Page 2

1. Find an open, flat area in which to work. Carefully remove all components from the box and remove banding with a utility knife. Check the parts list to verify package contents.
2. Arrange the left and right end ladders on the floor so that the bottle support pieces face one another. Align the large gaps on each end ladder. The end with the larger gap is the top of your rack. Attach a standard column connector to the top and bottom of your rack using the screws provided. Make sure the connectors are flush with the top and bottom of your rack. (figure 1)



-
3. Insert the middle ladders and finish securing the top & bottom connectors using the screws provided. (figure 2)





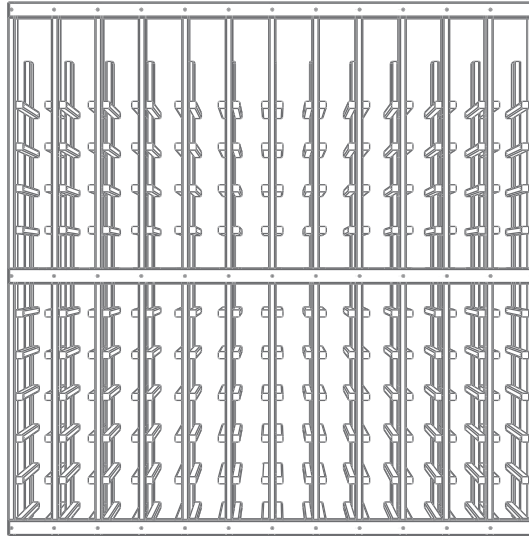
DISPLAY TOP RACKS ASSEMBLY GUIDE

Questions?
888.373.6057

or visit
wineracksamerica.com

Page 3

***NOTE:** If you purchased a 12 bottle high display top, your unit will come with 1 extra standard connector. Attach the connector to the back of the rack with a cordless drill or screwdriver.



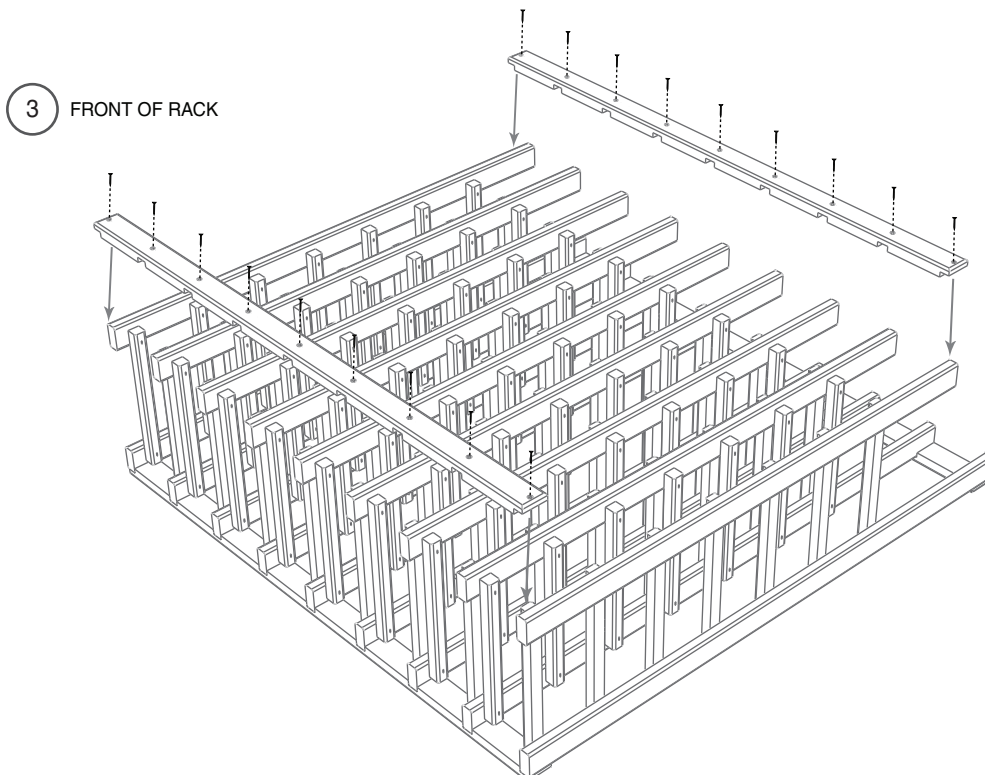
25 11/16"

IMPORTANT!

Measurements are from the bottom of the rack to the top of the connector

-
4. Flip rack over. Attach the remaining connectors to the top and bottom of the rack using the provided screws. (figure 3)

Cover the screw holes on the front connectors using the provided adhesive screw covers.





DISPLAY TOP RACKS ASSEMBLY GUIDE

Page 4

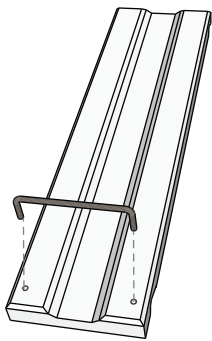
Questions?
888.373.6057

or visit
wineracksamerica.com

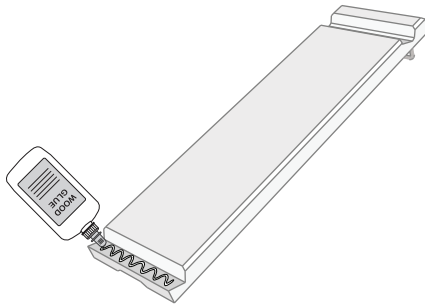
5. Insert a metal U-bar into the two pre-drilled holes of each display tray by pushing down on the U-bar until it reaches the bottom of the holes. (figure 4)

Stand your rack upright. To secure your display trays to your rack, apply a bead of wood glue to each of the two grooves on the back of the tray. (figure 5)

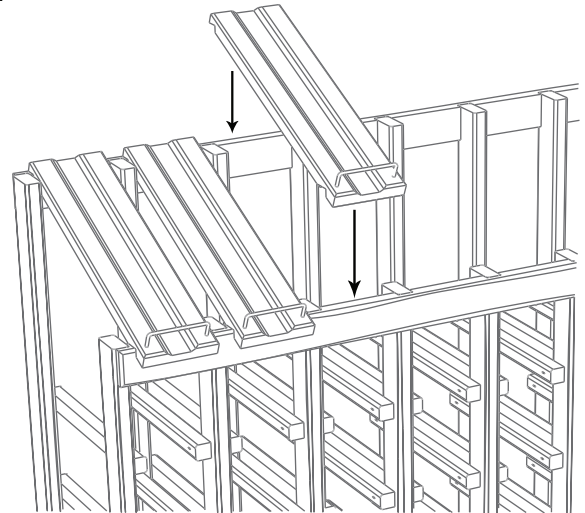
Then, put the tray into place so that the grooves rest on the upper and lower top connectors. (figure 6)



4 INSERT METAL
U-BARS



5 APPLY WOOD
GLUE



6 ATTACH SOLID
TOP

That's it! Enjoy this beautiful rack with your favorite beverage. Pair with other rack styles for an ultimate cellar storage look.



WINERACKSAMERICA.COM

We would love to see your wine racks in use! Please feel free to send any photos of your racks to photos@wineracksamerica.com

Once again, thank you for your business. Remember, customer service is available to answer any questions Monday-Friday 7:00 am - 5:00 pm MST. Please feel free to contact us for any wine storage needs.

360 North 700 West Suite F • North Salt Lake, UT 84054
(toll free) 888-373-6057
(fax) 801-936-0534