

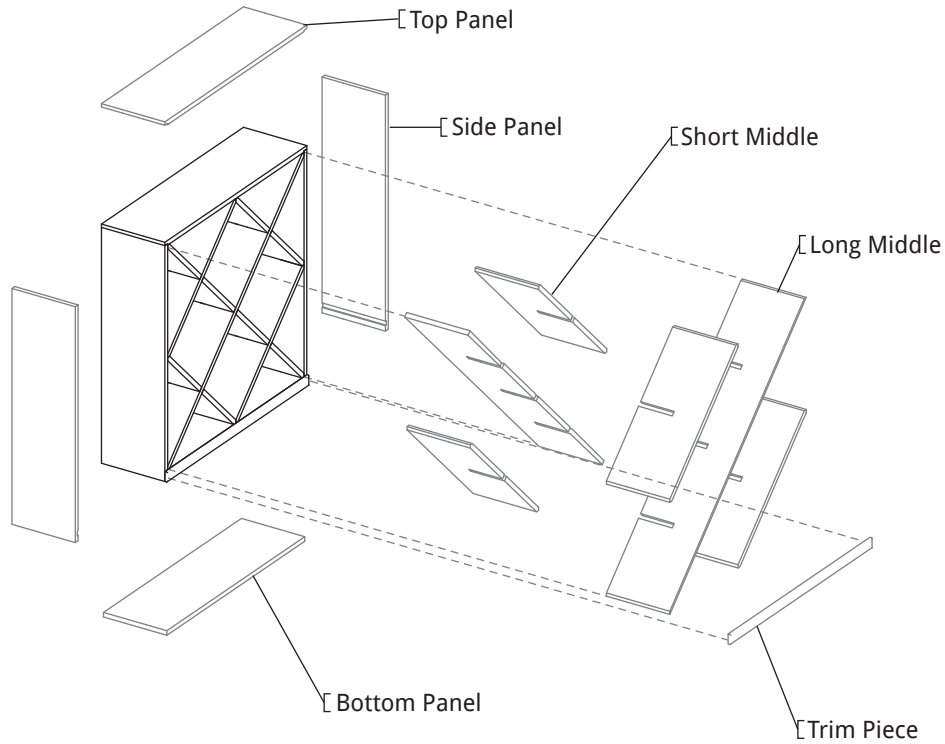


SOLID DIAMOND CUBE ASSEMBLY GUIDE

Page 1

Questions?
888.373.6057

or visit
wineracksamerica.com



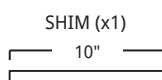
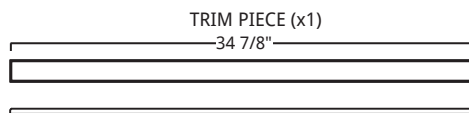
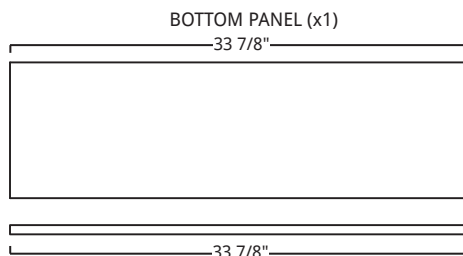
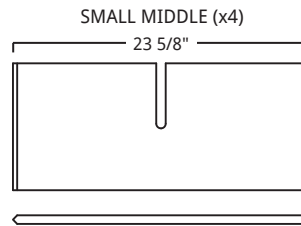
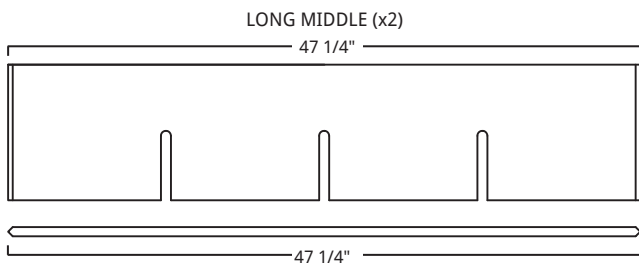
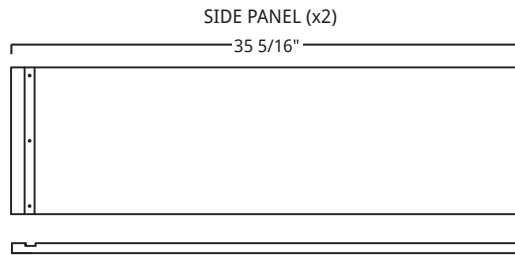
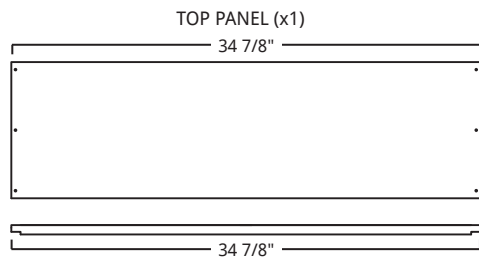
SCAN FOR
ASSEMBLY VIDEO



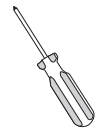
PACKAGE CONTENTS

*Please verify that you have the correct number of parts before proceeding.
Depending on the model you purchased, your bundle should contain the following:

TOOLS FOR ASSEMBLY



Required



Screwdriver



Wood Glue

Suggested



Cordless Drill



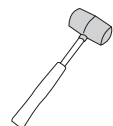
Finish Nailer



Hammer



Nail Setter



Rubber Mallet



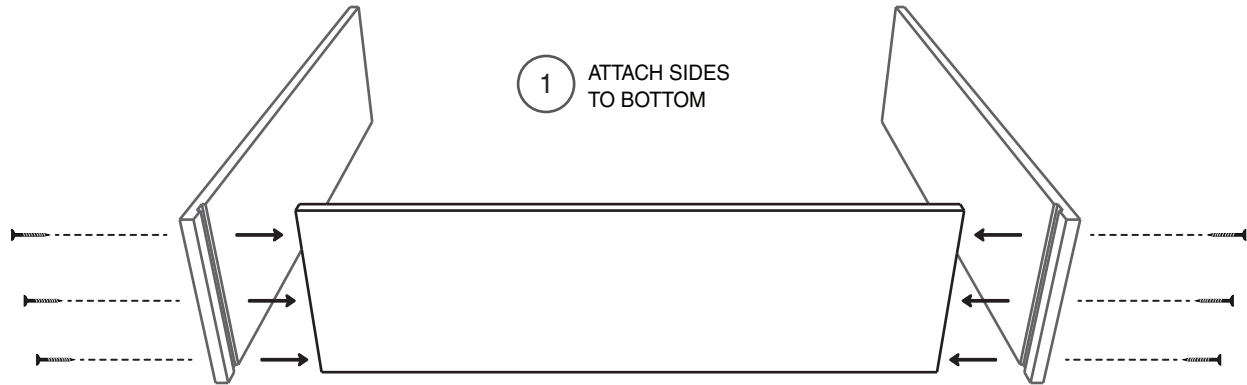
SOLID DIAMOND CUBE ASSEMBLY GUIDE

Questions?
888.373.6057

or visit
wineracksamerica.com

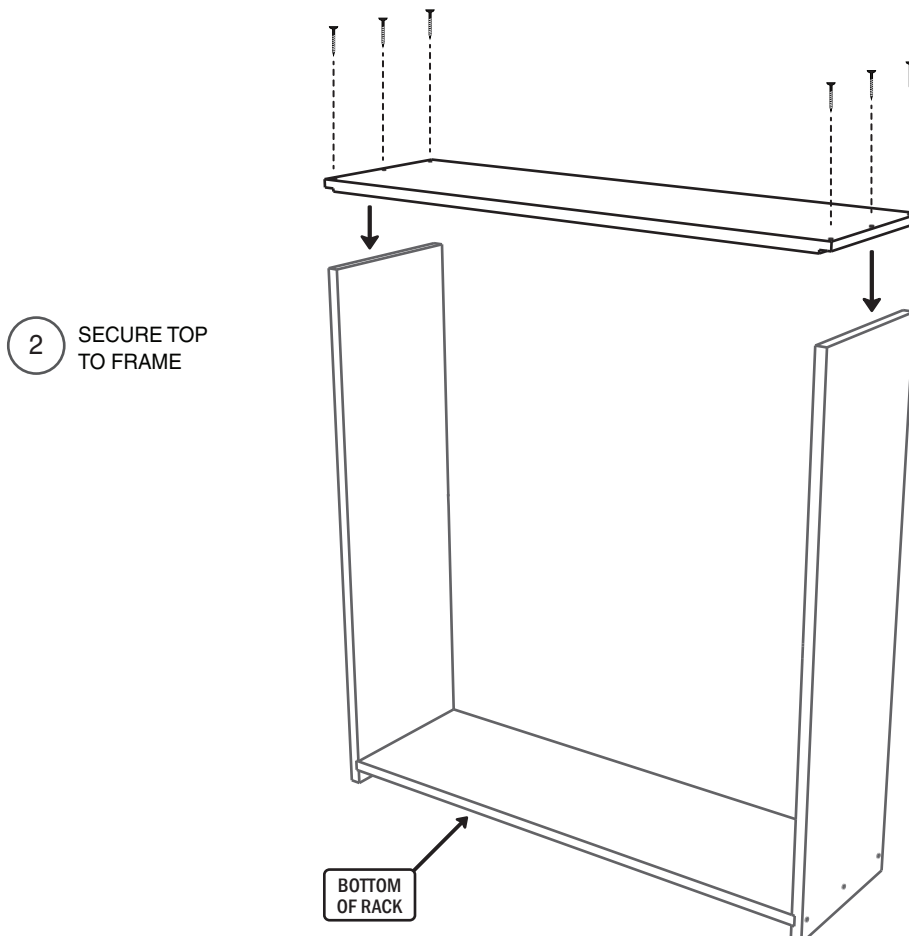
Page 2

1. Find an open, flat area in which to work. Carefully remove all components from the box and remove banding or protective wrapping. Check the parts list to verify package contents.
2. Using the provided wood screws, attach the bottom panel into the grooves of the two side panels. (figure 1)

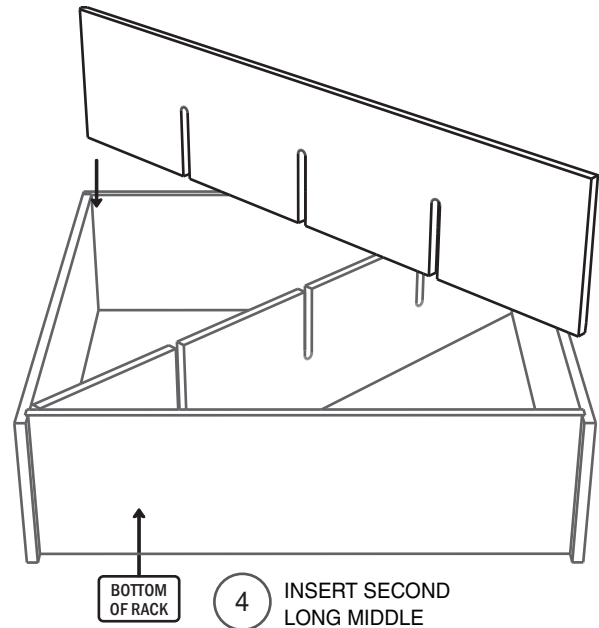
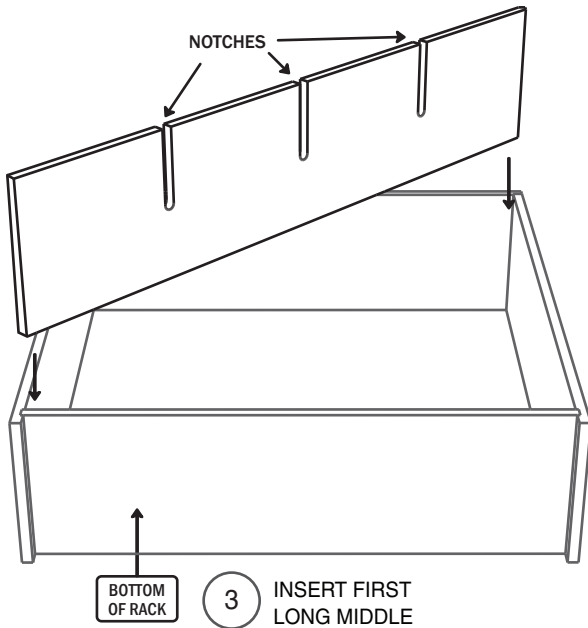


3. Attach the top panel to the side panel pieces using the wood screws provided. Make sure to keep the side panels and top panel held tightly together when securing.

It may be easier to stand the rack upright when securing the top frame piece. (figure 2)



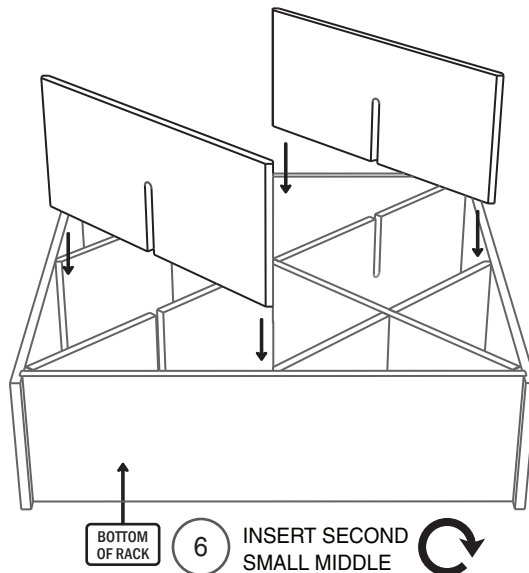
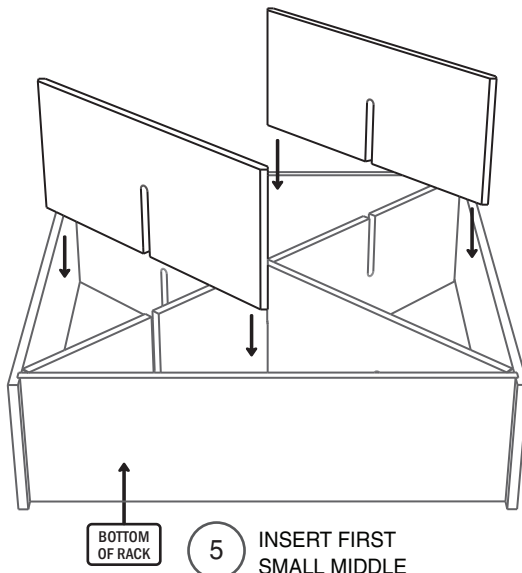
4. Now that the frame of the rack is assembled, insert the first long middle into the frame of the rack with the notches facing upward. (figure 3)
5. Insert the second long middle into the frame. The long middle pieces will join at the middle notch and slide down into place. (figure 4)



TIP: DO NOT FORCE! Carefully work the shelves into the frame by hand until they settle flush with the sides. If necessary, use a rubber mallet to lightly tap the shelf pieces into place.

6. Insert the first two small middle pieces into the frame. The notches on the small middle pieces will interlock with the notches on the long middle piece and slide down into place. (figure 5)

Flip rack over and repeat step 6 for the final two small middle pieces. (figure 6)





SOLID DIAMOND CUBE ASSEMBLY GUIDE

Page 4

Questions?
888.373.6057

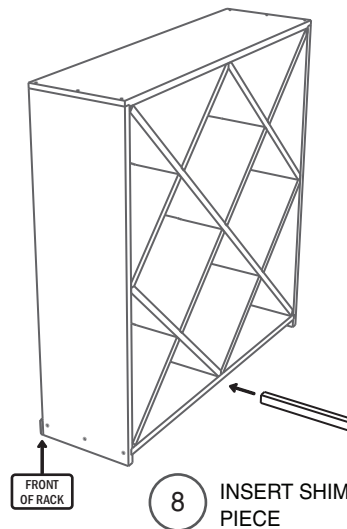
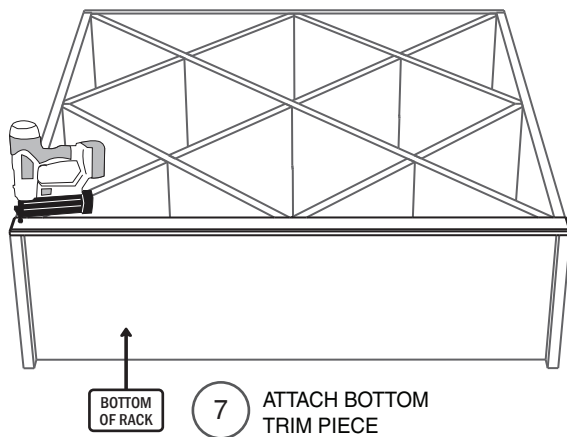
or visit
wineracksamerica.com

7. At this point, there is no specific front of the rack. Choose the side of the rack that you would like to be the front and secure the bottom trim piece. The bottom trim piece should be flush with the bottom of the rack. (figure 7)

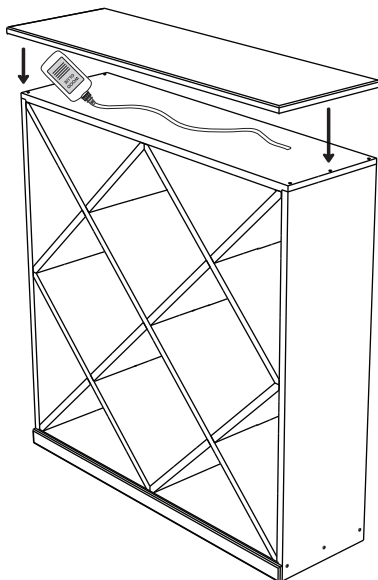
We recommend that you use a finish nailer to drive a nail through the trim piece into each side frame piece. If you do not have a finish nailer, drive one of the provided finish nails into each side frame piece using a hammer until it is flush with the surface trim piece. Use wood glue for added support.

Fill the nail holes using the wood putty provided. Push a small amount of putty into each hole and wipe excess putty off the surface using a damp cloth.

8. To prevent the bottom of the rack from bowing under the weight of your bottles, slide the bottom frame shim under the back of the rack. (figure 8)



9. If you purchased a solid top, secure it by placing a small amount of wood glue on the top of the box frame. Clamp the top to the frame using standard wood clamps until fully dry. (figure 9)



9 ATTACH
BUTCHER BLOCK

WINERACKSAMERICA.COM

We would love to see your wine racks in use! Please feel free to send any photos of your rack to photos@wineracksamerica.com

Once again, thank you for your business. Remember, customer service is available to answer any questions Monday-Friday 7:00 am - 5:00 pm MST. Please feel free to contact us for any wine storage needs.

360 North 700 West Suite F • North Salt Lake, UT 84054
(toll free) 888-373-6057
(fax) 801-936-0534