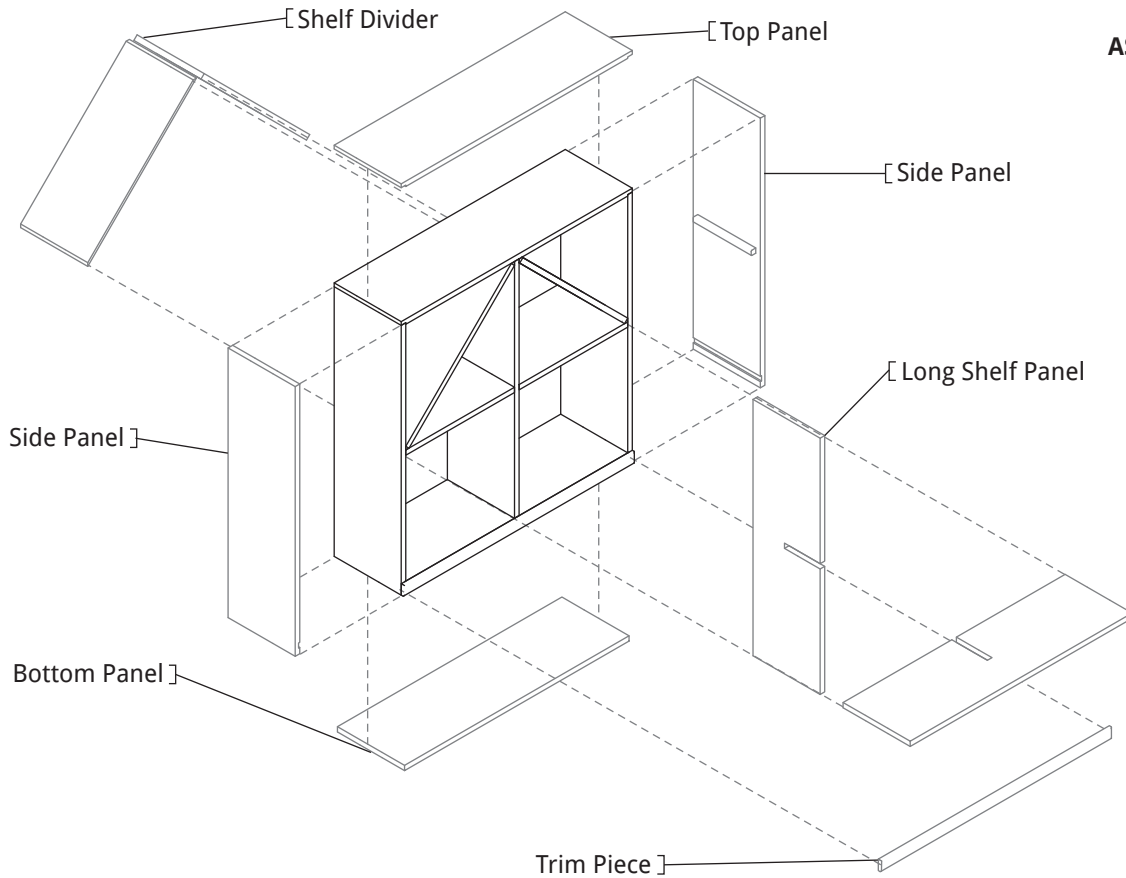




# SOLID DIAMOND BIN ASSEMBLY GUIDE

Page 1

Questions?  
**888.373.6057**  
or visit  
**wineracksamerica.com**

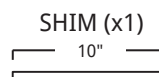
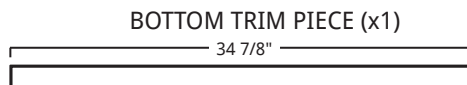
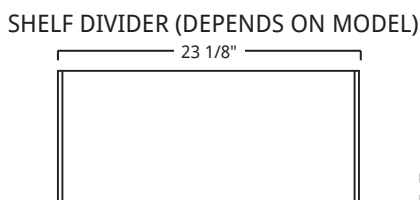
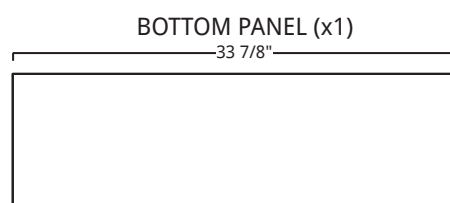
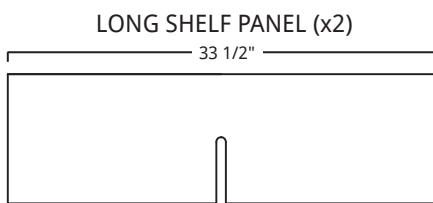
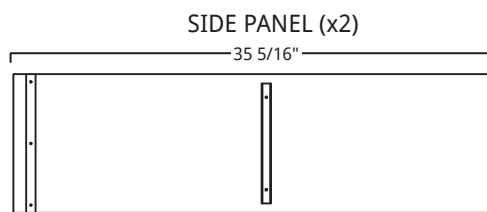
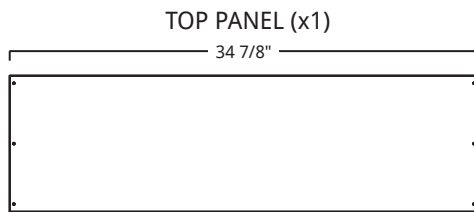


SCAN FOR  
ASSEMBLY VIDEO



## PACKAGE CONTENTS

\*Please verify that you have the correct number of parts before proceeding.  
Depending on the model you purchased, your bundle should contain the following:

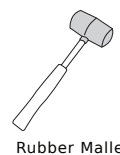
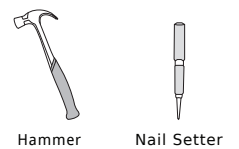


## TOOLS FOR ASSEMBLY

### Required



### Suggested





# SOLID DIAMOND BIN ASSEMBLY GUIDE

Questions?  
**888.373.6057**

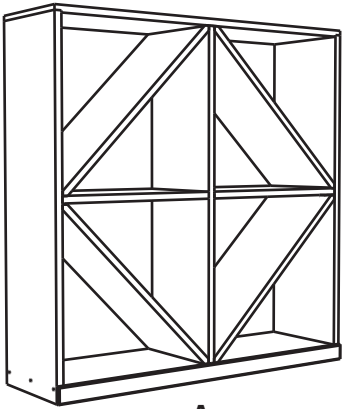
or visit  
**wineracksamerica.com**

Page 2

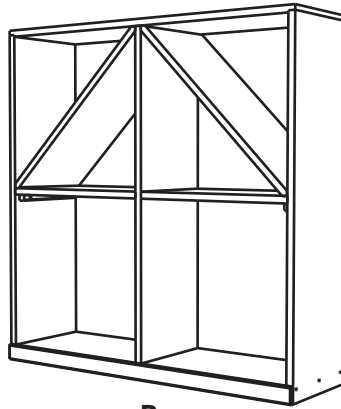
1. Find an open, flat area in which to work. Carefully remove all components from the box and remove banding or protective wrapping. Check the parts list to verify you have received a complete package.

Determine your wine rack configuration by consulting the drawings below. Based on the model that you purchased, you will be assembling one of these configurations. If you are assembling configuration B, C or D, please proceed to step 2.

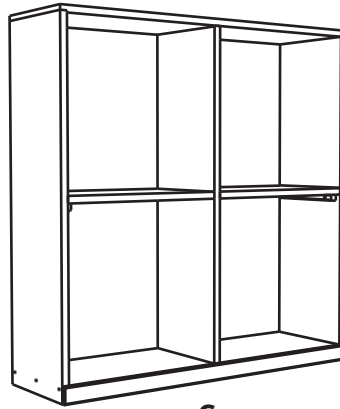
## WHAT IS YOUR CONFIGURATION?



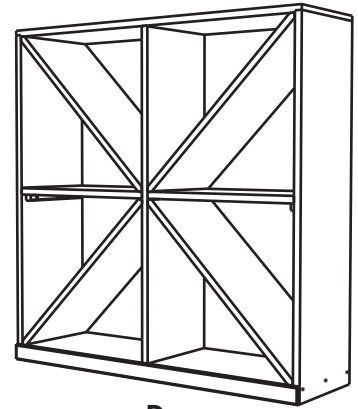
**A**  
Solid Diamond Bin



**B**  
Solid Case/Bottle Bin



**C**  
Solid Case Bin

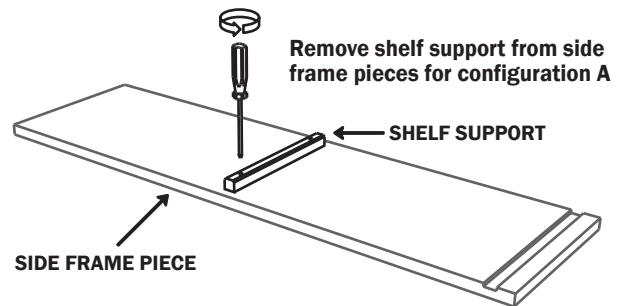


**D**  
Solid Diamond Bin  
(reversed shelf dividers)

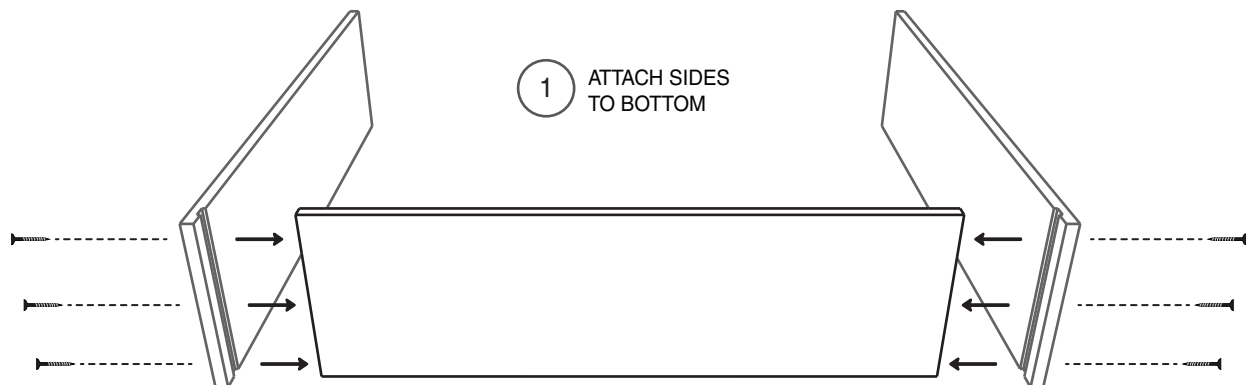
### CONFIGURATION "A" ONLY (SOLID DIAMOND BIN)

For configuration A, it is necessary to remove the shelf supports from the side frame pieces.

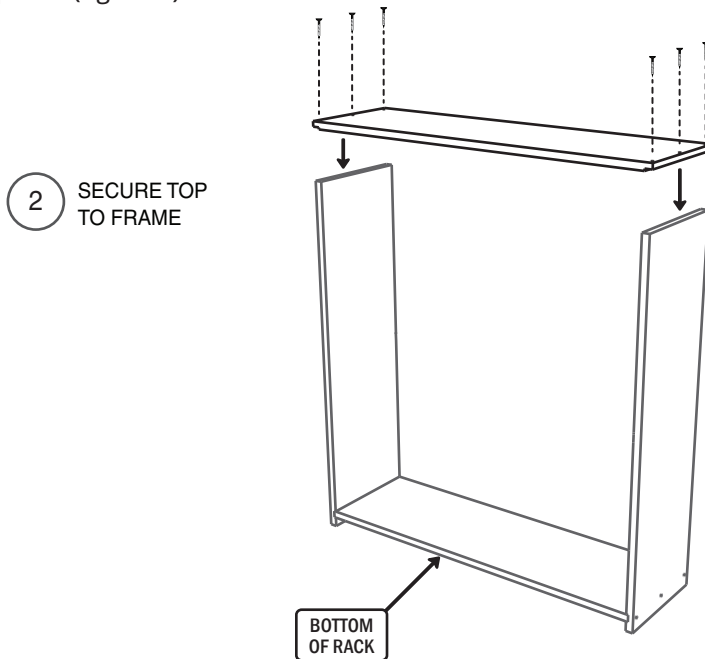
To remove the supports, lay the side frame piece flat on the ground and remove the 2 screws from the shelf support using a screwdriver. Repeat this process for the second side frame piece.



2. Using the provided wood screws, attach the bottom panel into the grooves of the two side panels. (figure 1)

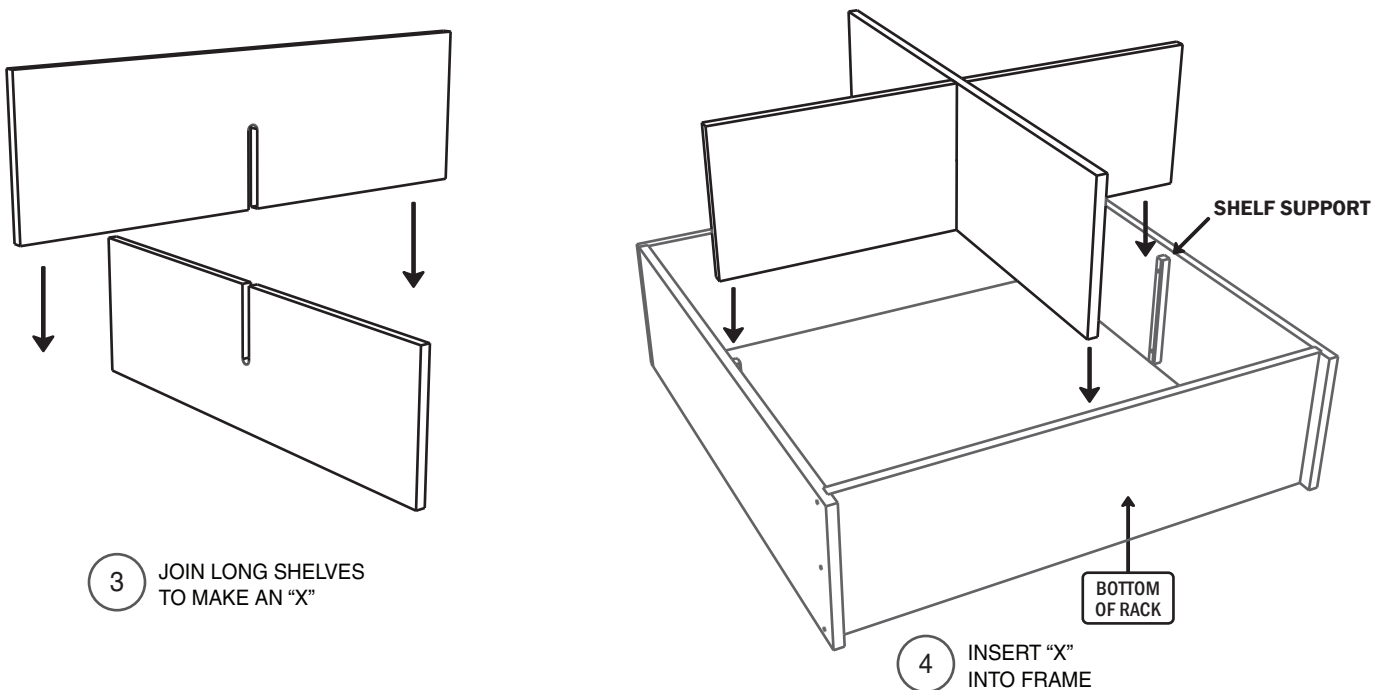


3. Attach the top panel to the side panel pieces using the wood screws provided. Make sure to keep the side panels and top panel held tightly together when securing. It may be easier to stand the rack upright when securing the top frame piece. (figure 2)



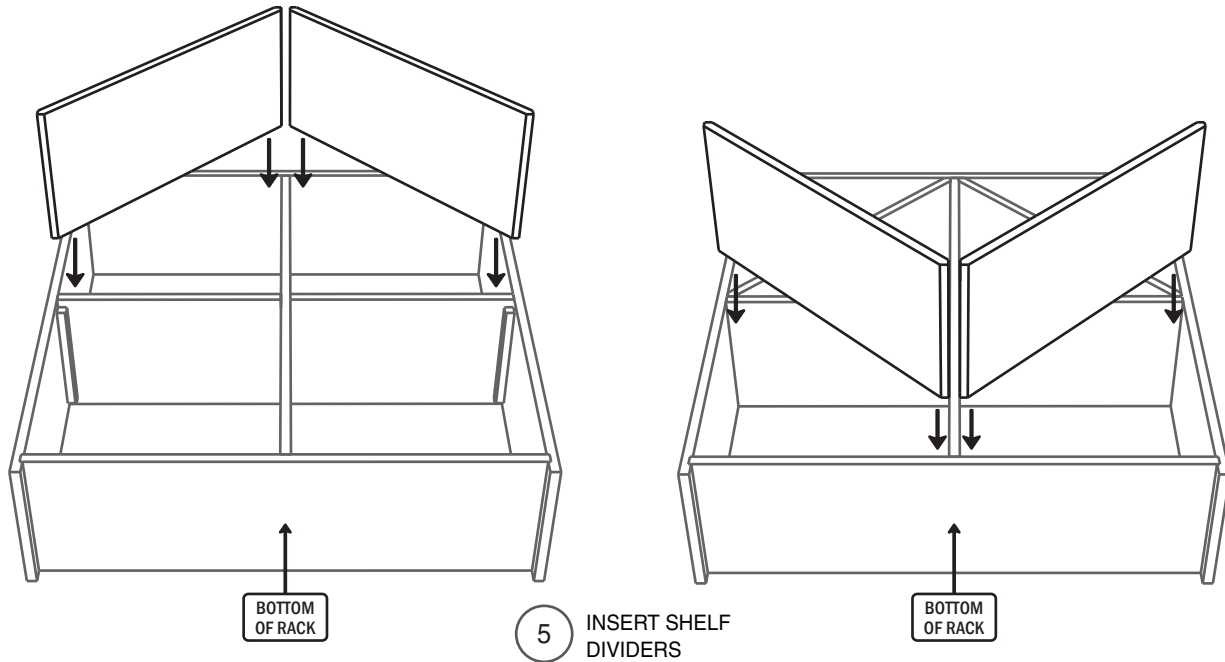
4. Make an "X" by joining the middle notches of the two long shelf panels (figure 3). Insert the "X" assembly into the frame as shown. (figure 4)

If you are assembling configuration B, C, or D, the horizontal shelf will sit on top of the left and right shelf supports.



**TIP: DO NOT FORCE!** Carefully work the shelves into the frame by hand until they settle flush with the sides. If necessary, use a rubber mallet to lightly tap the shelf pieces into place.

5. Insert the shelf dividers into the frame to match your configuration (figure 5). If your rack did not include any shelf dividers, please proceed to the next step.

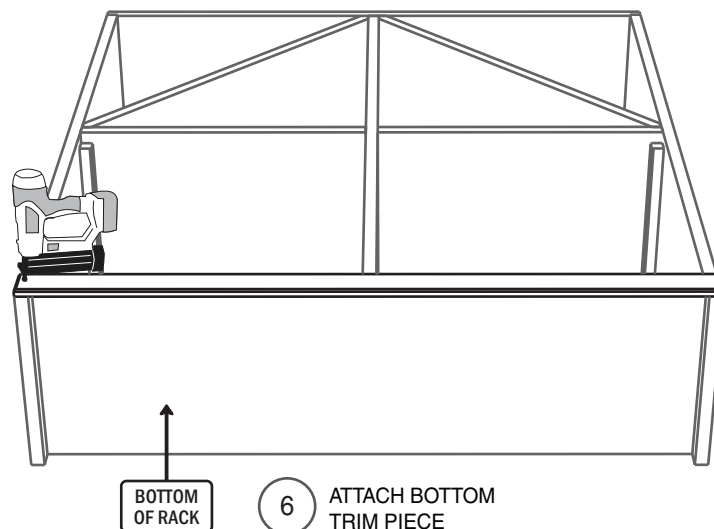


**TIP:** The dividers slide into place with little or no force. If necessary, use a rubber mallet to lightly tap the shelf dividers into place.

6. At this point, there is no specific front of the rack. Choose the side of the rack that you would like to be the front and secure the bottom trim piece. The bottom trim piece should be flush with the bottom of the rack. (figure 6)

We recommend that you use a finish nailer to drive a nail through the trim piece into each side frame piece. If you do not have a finish nailer, drive one of the provided finish nails into each side frame piece using a hammer until it is flush with the surface trim piece. Then, countersink the nail using a nail setter until the head of the nail is about 1/16" below the surface of the wood. Use wood glue for added support.

Fill the nail holes using the wood putty provided. Push a small amount of putty into each hole and wipe excess putty off the surface using a damp cloth.





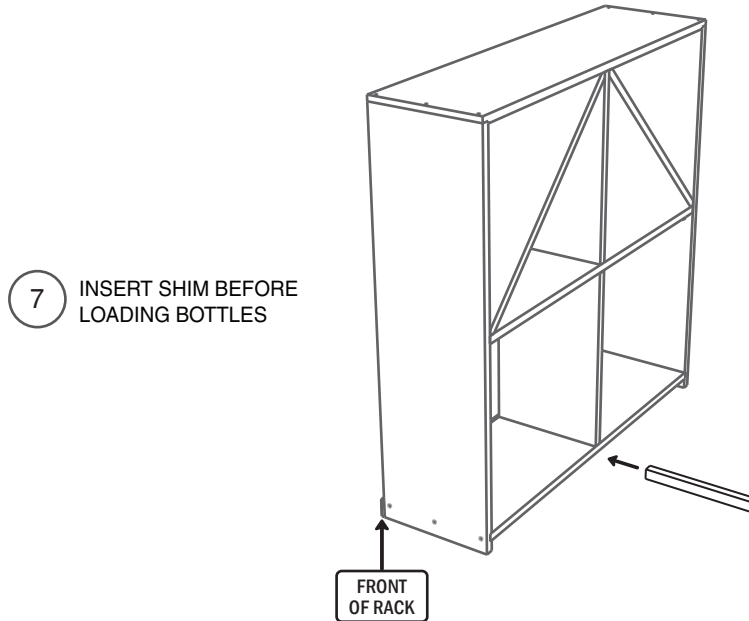
# SOLID DIAMOND BIN ASSEMBLY GUIDE

Questions?  
**888.373.6057**

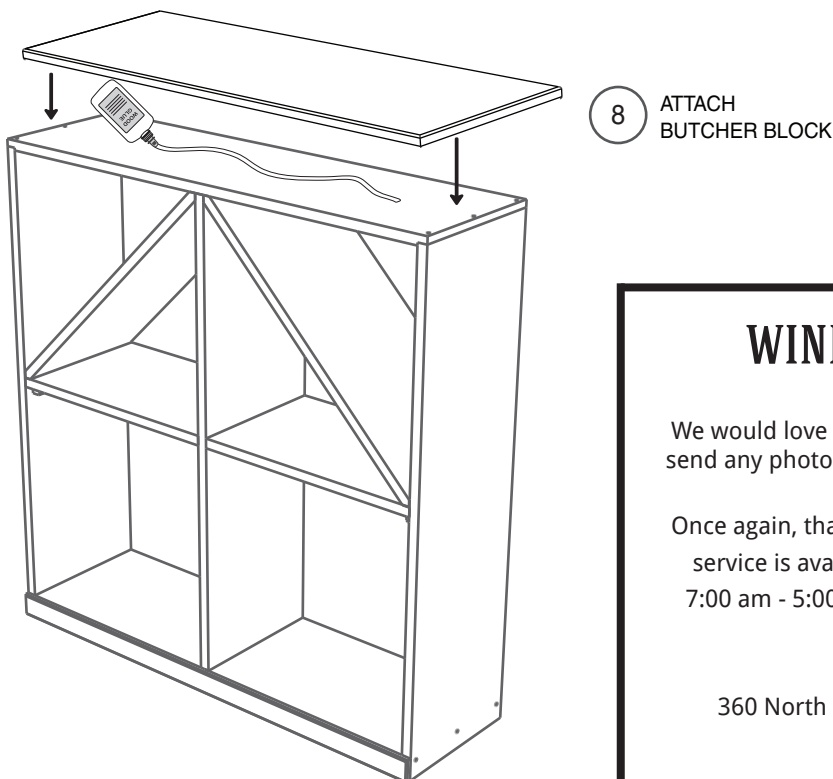
or visit  
**wineracksamerica.com**

Page 5

7. To prevent the bottom of the rack from bowing under the weight of your bottles, slide the bottom frame shim under the back of the rack. (figure 7)



8. If you purchased a solid top, secure it by placing a small amount of wood glue on the top of the box frame. Clamp the top to the frame using standard wood clamps until fully dry. (figure 8)



## WINERACKSAMERICA.COM

We would love to see your wine racks in use! Please feel free to send any photos of your rack to [photos@wineracksamerica.com](mailto:photos@wineracksamerica.com)

Once again, thank you for your business. Remember, customer service is available to answer any questions Monday-Friday 7:00 am - 5:00 pm MST. Please feel free to contact us for any wine storage needs.

360 North 700 West Suite F • North Salt Lake, UT 84054  
(toll free) 888-373-6057  
(fax) 801-936-0534