

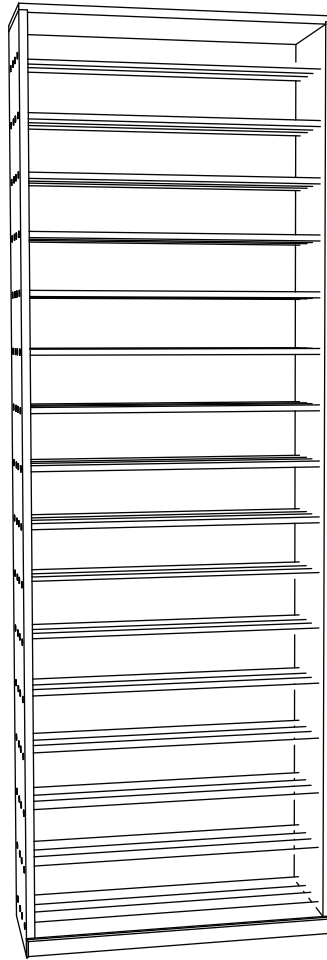


FULL HEIGHT LABEL-OUT DISPLAY ASSEMBLY GUIDE

Page 1

Questions?
888.373.6057

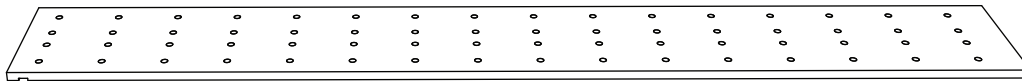
or visit
wineracksamerica.com



PACKAGE CONTENTS

*Please verify that you have the correct number of parts before proceeding.
Depending on the model you purchased, your bundle should contain the following:

SIDE PANEL (x2)



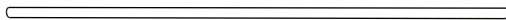
TOP PANEL (x1)



BOTTOM PANEL (x1)



METAL RODS (x64)



TRIM PIECE (x1)



RAIL SCREWS



WOOD SCREWS



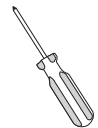
FINISH NAILS



WOOD PUTTY

TOOLS FOR ASSEMBLY

Required



Screwdriver



Wood Glue

Suggested



Cordless Drill



Finish Nailer



Hammer



Nail Setter



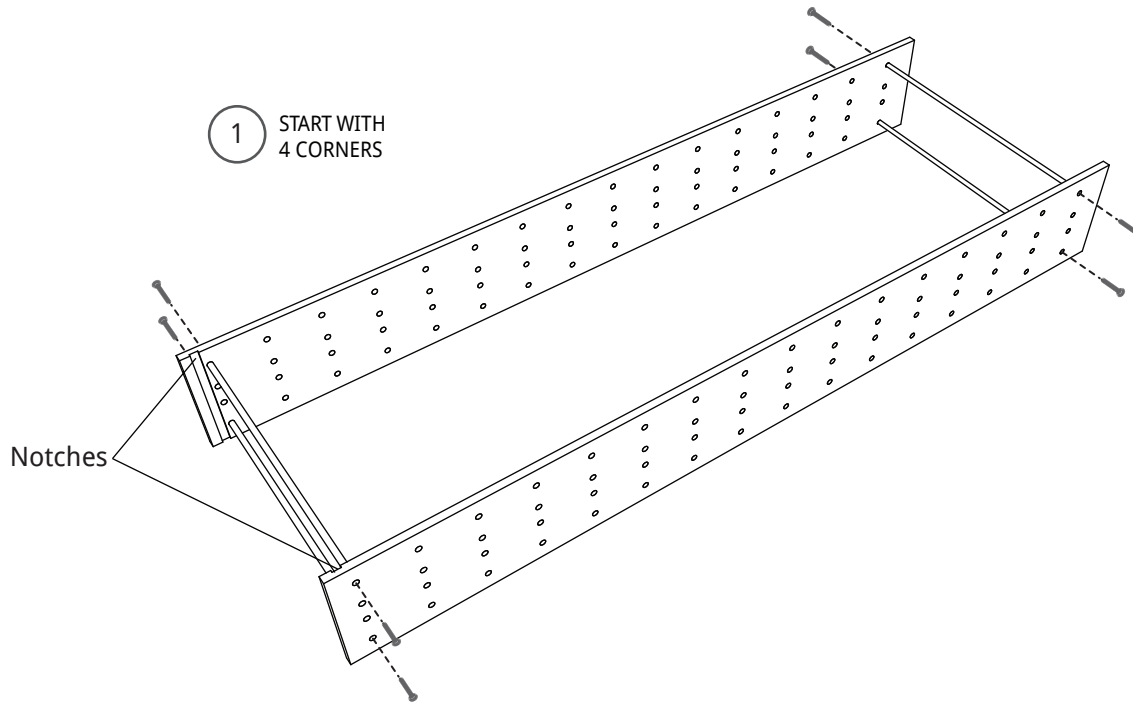
FULL HEIGHT LABEL-OUT DISPLAY ASSEMBLY GUIDE

Questions?
888.373.6057

or visit
wineracksamerica.com

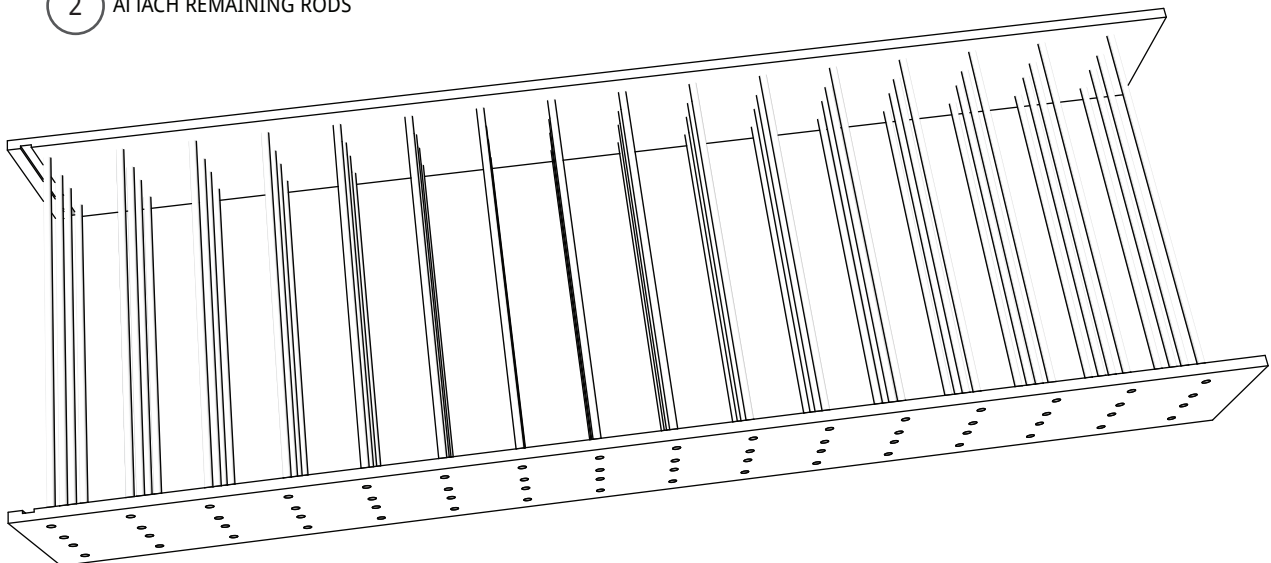
Page 2

1. Find an open, flat area in which to work. Carefully remove all components from the box and remove any packaging materials. Check the parts list to verify package contents.
2. Begin by attaching 4 metal rods into the pre-drilled holes on the four corners of each side piece. Using a screwdriver or drill, carefully attach each metal screw to the 4 rods. **Do not tighten until ALL wood rods have been attached.** Be sure that the notches on the side panels are both facing inwards and at the bottom. (figure 1)



-
3. Attach the remaining rods to the side panels using the provided metal screws. (figure 2). After all rods are attached, carefully tighten each metal screw all the way. *Do not overtighten.

2 ATTACH REMAINING RODS





FULL HEIGHT LABEL-OUT DISPLAY ASSEMBLY GUIDE

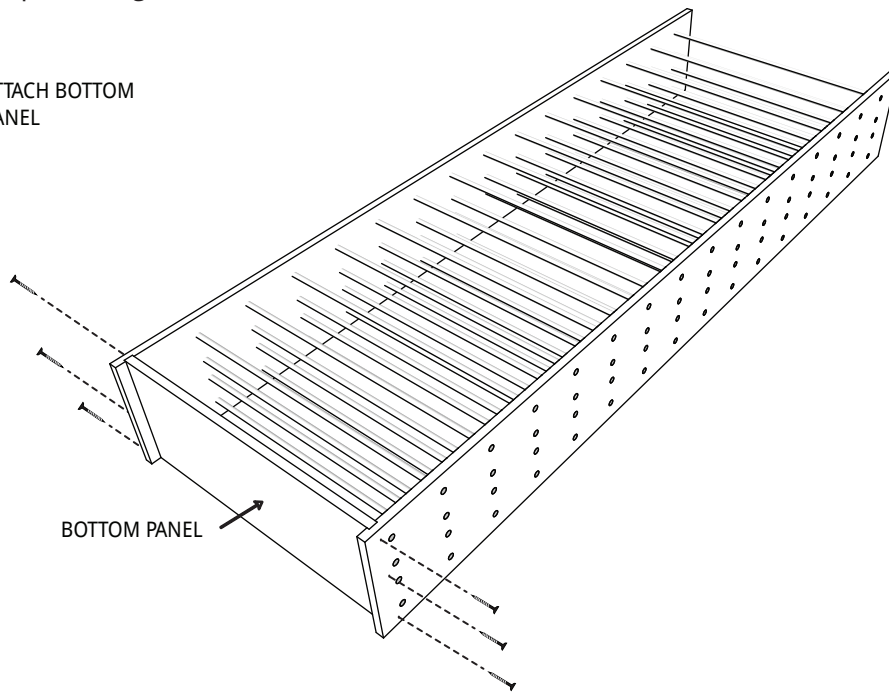
Questions?
888.373.6057

or visit
wineracksamerica.com

Page 3

4. Slide the bottom panel into the two grooves on each side panel. Using the provided wood screws, attach the bottom panel to each side panel. (figure 3)

3 ATTACH BOTTOM
PANEL

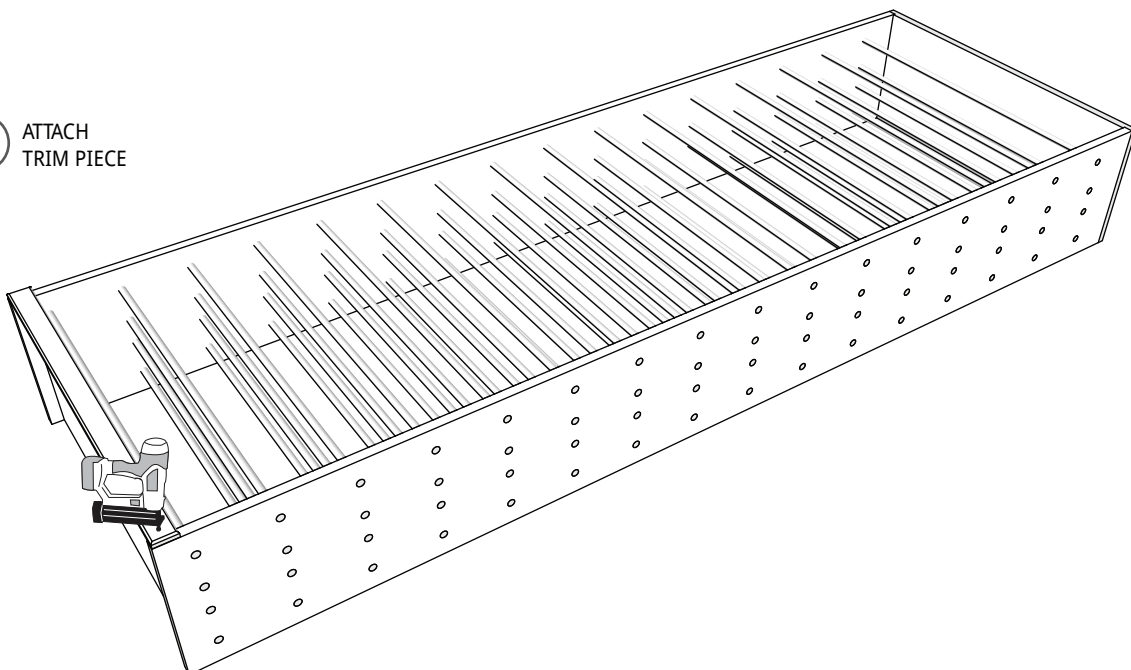


5. At this point, there is no specific front of the rack. Choose the side of the rack that you would like to be the front and secure the bottom trim piece. The bottom trim piece should be flush with the bottom of the rack.

We recommend that you use a finish nailer to drive a nail through the trim piece into each side frame piece. If you do not have a finish nailer, drive one of the provided finish nails into each side frame piece using a hammer until it is flush with the surface trim piece. Use wood glue for added support.

Fill the nail holes using the wood putty provided. Push a small amount of putty into each hole and wipe excess putty off the surface using a damp cloth. (figure 4)

4 ATTACH
TRIM PIECE





FULL HEIGHT LABEL-OUT DISPLAY ASSEMBLY GUIDE

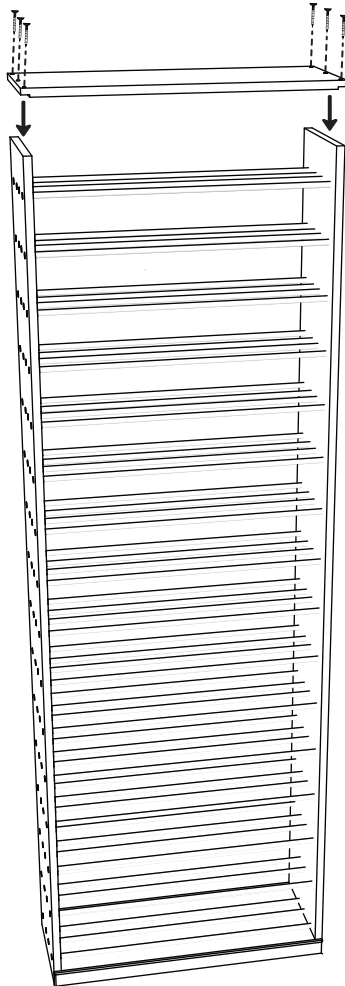
Page 4

Questions?
888.373.6057

or visit
wineracksamerica.com

6. Attach the top panel to the side panels using the wood screws provided. Keep the side panels and top panel held tightly together when securing. (figure 5)

5 ATTACH
TOP PANEL



WINERACKSAMERICA.COM

We would love to see your wine racks in use! Please feel free to send any photos of your racks to photos@wineracksamerica.com

Once again, thank you for your business. Remember, customer service is available to answer any questions Monday-Friday 7:00 am - 5:00 pm MST. Please feel free to contact us for any wine storage needs.

180 North 700 West • North Salt Lake, UT 84054
(toll free) 888-373-6057
(fax) 801-936-0534