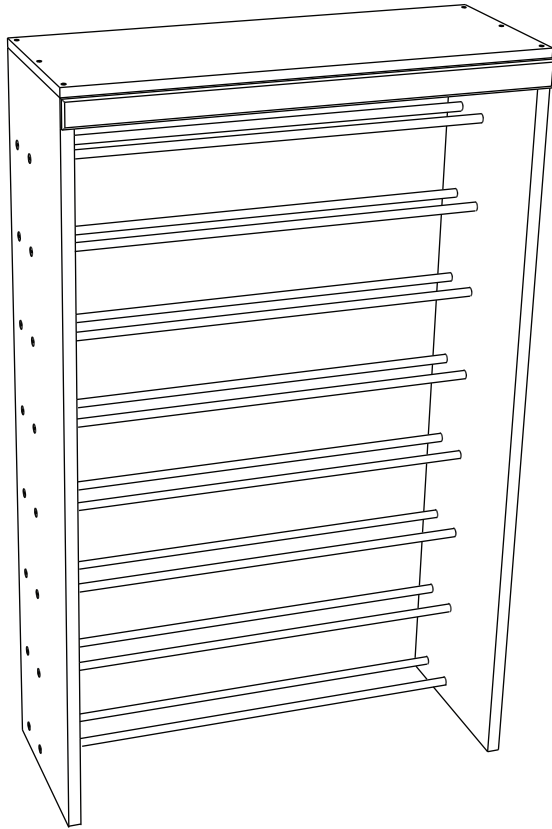




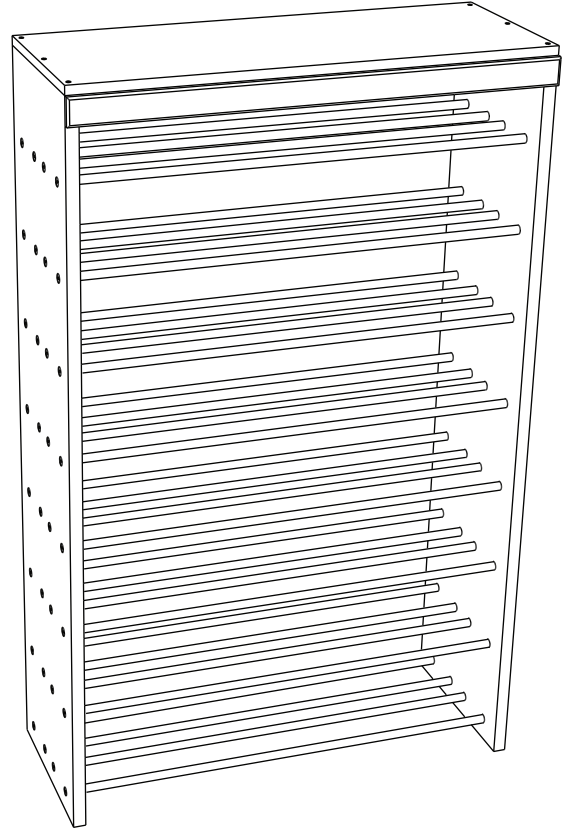
TOP HORIZONTAL DISPLAY ASSEMBLY GUIDE

Page 1

Questions?
888.373.6057
or visit
wineracksamerica.com



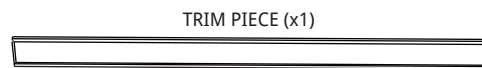
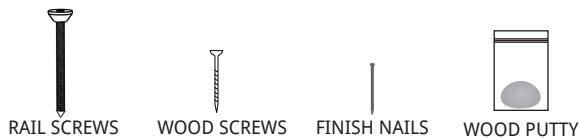
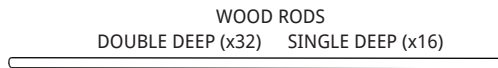
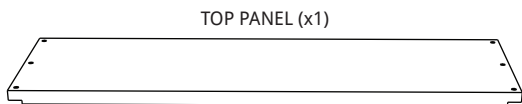
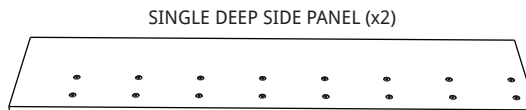
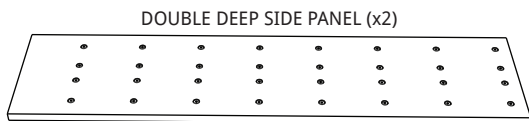
Single Deep



Double Deep

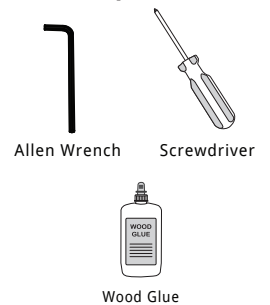
PACKAGE CONTENTS

*Please verify that you have the correct number of parts before proceeding.
Depending on the model you purchased, your bundle should contain the following:

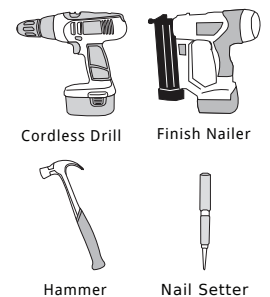


TOOLS FOR ASSEMBLY

Required



Suggested



*Follow the same assembly procedure for all Top Label Out Display models



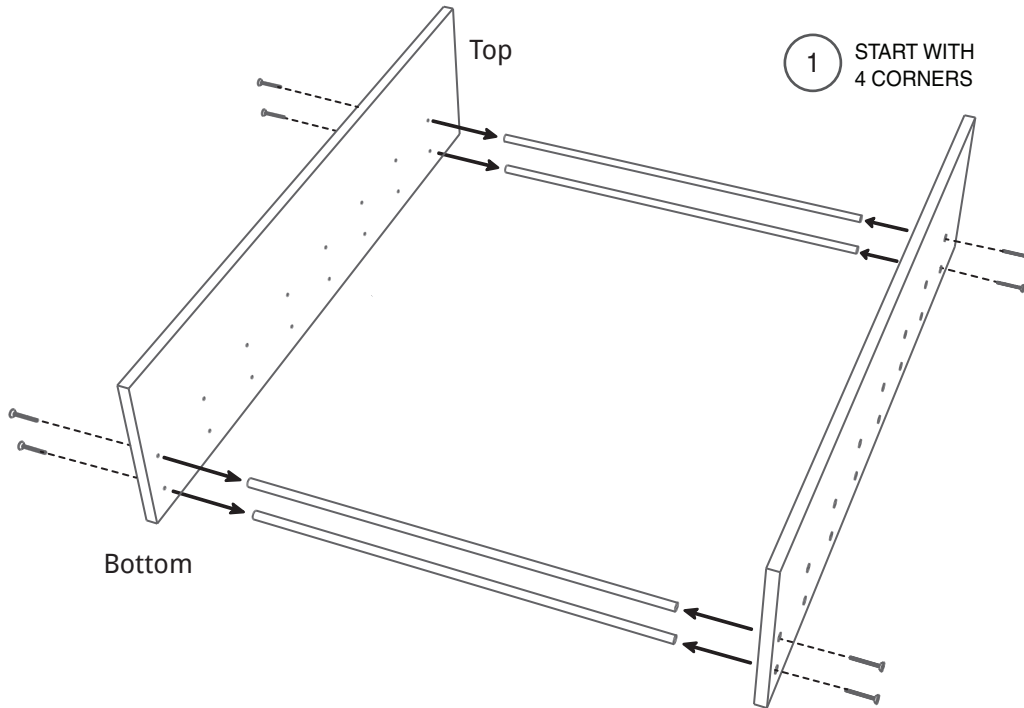
TOP HORIZONTAL DISPLAY ASSEMBLY GUIDE

Questions?
888.373.6057

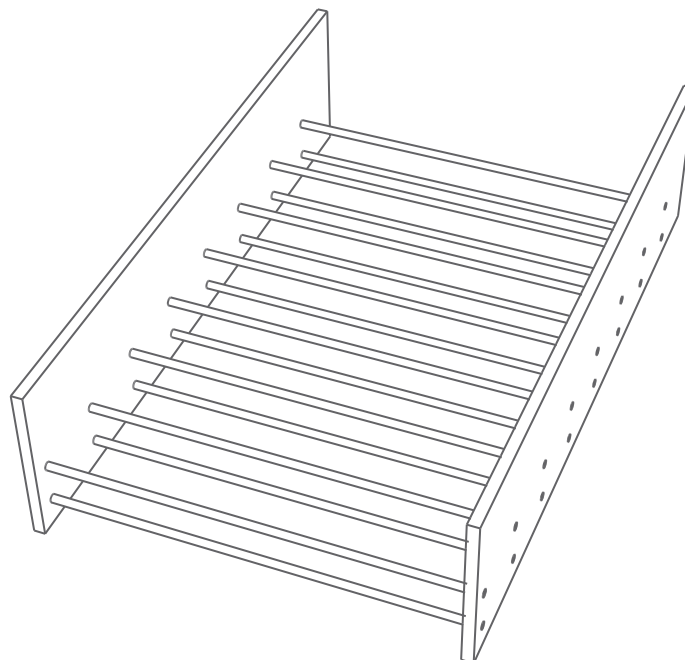
or visit
wineracksamerica.com

Page 2

1. Find an open, flat area in which to work. Carefully remove all components from the box and remove any packaging materials. Check the parts list to verify package contents.
2. Begin by attaching 4 wood rods into the pre-drilled holes on the four corners of each side piece. Using a screwdriver or drill, carefully attach each screw to the 4 wood rods. Make sure that the metal screws are attached to the side with the countersunk holes. **Do not tighten until ALL wood rods have been attached.** Make sure all of the holes line up evenly. (figure 1)



-
3. Attach the remaining wood rods to the side panels using the provided metal screws. (figure 2)
Do not tighten screws until ALL rods have been attached. After they are attached, carefully tighten each screw all the way. *Do not overtighten.



2 ATTACH REMAINING
WOOD RODS



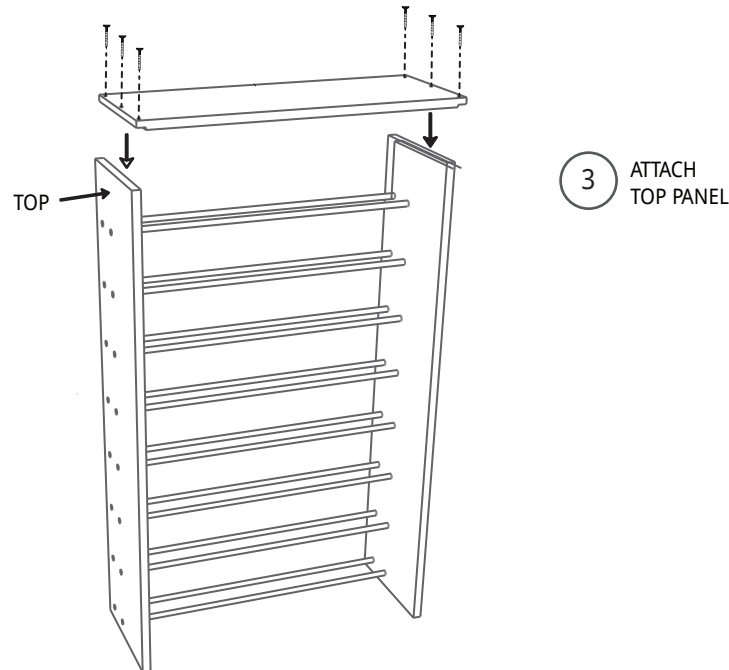
TOP HORIZONTAL DISPLAY ASSEMBLY GUIDE

Questions?
888.373.6057

or visit
wineracksamerica.com

Page 3

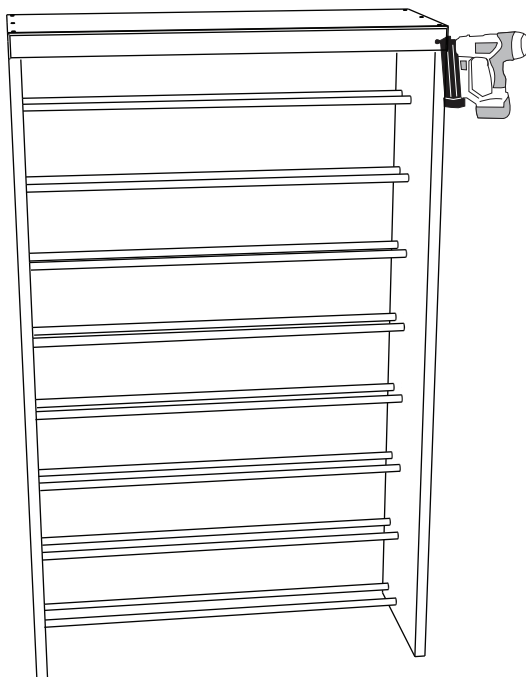
4. Attach the top panel to the side panels using the wood screws provided. The end with the larger gap is the top of the rack. Keep the side panels and top panel held tightly together when securing. (figure 3)



5. Attach the front trim piece so that the top of the trim is flush with the top of the rack.

We recommend that you use a finish nailer to drive a nail through the trim piece into each side frame piece. If you do not have a finish nailer, drive one of the provided finish nails into each side frame piece using a hammer until it is flush with the surface trim piece and countersink using a nail setter. Use wood glue for added support.

Fill the nail holes using the wood putty provided. Push a small amount of putty into each hole and wipe excess putty off the surface using a damp cloth. (figure 4)



4 ATTACH
TRIM PIECE

WINERACKSAMERICA.COM

We would love to see your wine racks in use! Please feel free to send any photos of your rack to photos@wineracksamerica.com

Once again, thank you for your business. Remember, customer service is available to answer any questions Monday-Friday 7:00 am - 5:00 pm MST. Please feel free to contact us for any wine storage needs.

360 North 700 West Suite F • North Salt Lake, UT 84054
(toll free) 888-373-6057
(fax) 801-936-0534