

MAGIX[®]

X-PRO

DATASHEET



Incredible speeds plus rock-solid reliability

Magix's X-PRO SSD drive enhances the responsiveness of your existing system with outstanding boot, loading and transfer times compared to mechanical hard drives. Our advanced technology makes X-PRO the ideal solution for PC enthusiasts, gamers, and video rendering professionals.

Powered by the latest-gen controller for reading and writing speeds up to 3200MB/s1 and 2700MB/s, this SSD is much faster than a traditional hard drive for higher performance, ultra-responsive multi-tasking and an overall more rapid system. Also more reliable and durable than a hard drive, X-PRO is built with Flash memory. There are no moving parts, making it less likely to fail than a mechanical hard drive. It is also cooler and quieter, and its shock and vibration resistance makes it ideal for notebooks and other mobile computing devices.

X-PRO is available in multiple capacities from 256GB to 2TB to give you all the space you need for applications, videos, photos and other essential documents. You can also replace your hard drive or a smaller SSD with a drive big enough to hold all your files.

OVERVIEW:

- > Fast start-up
- > Fast application loading
- > Fast file data transfer speed
- > More reliable and durable than a regular hard drive
- > Multiple capacities with space for applications or a hard drive replacement
- > Long life Cycle
- > Self-monitoring, Analysis and Reporting Technology (S.M.A.R.T.)
- > Support Power Management



DATASHEET

SPECIFICATIONS:

- > **Form factor:** M.2 2280
- > **Interface:** PCIe Gen3X4 NVMe
- > **Capacities*:** 256GB, 512GB, 1TB, 2TB
- > **Read/Write performance**:**
 - 256GB — up to 2900MB/s Read and 1100MB/s Write
 - 512GB — up to 3100MB/s Read and 2200MB/s Write
 - 1TB — up to 3200MB/s Read and 2700MB/s Write
 - 2TB — up to 3100MB/s Read and 2700MB/s Write
- > **Flash Type:** 3D TLC
- > **ECC Scheme:** LDPC (Low-Density Parity-Check) ECC
- > **Storage temperature:** -40°C~85°C
- > **Operating temperature:** 0°C~70°C
- > **Operating voltage:** 3.3V +/- 5%
- > **Dimensions:** 22.0mm x 80.0mm x 2.15mm
- > **Weight:** 8g
- > **Life expectancy:** 1.5 million hours MTBF
- > **Warranty/support***:** Limited 5 -year warranty with free technical support
- > **Total Bytes Written (TBW):**
 - 256GB — 120 TBW
 - 512GB — 240 TBW
 - 1TB — 500 TB W
 - 2TB — 1000 TBW



MAGIX PART NUMBERS:

- > **256GB:** XPRO256GB
- > **512GB:** XPRO512GB
- > **1TB:** XPRO1TB
- > **2TB:** XPRO2TB

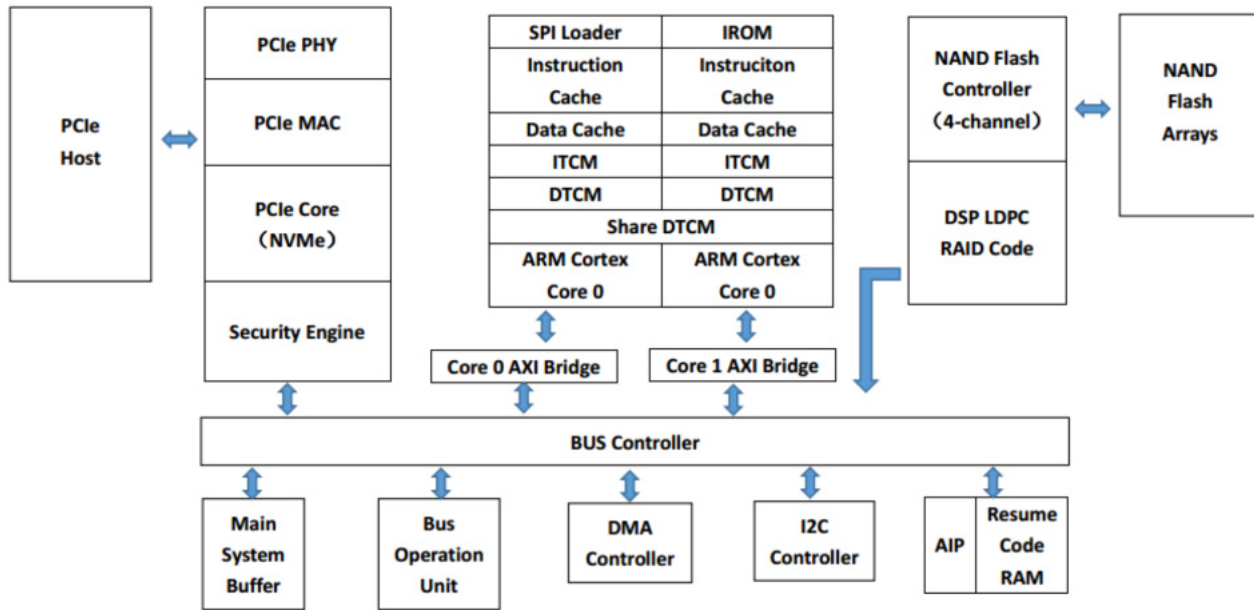
*1TB = 1,000,000,000,000/1 000 000 000 000/1.000.000.000.000 bytes.
1GB = 1,000,000,000/1 000 000 000/1.000.000.000 bytes. Some of the listed capacity on a Flash storage device is used for formatting and other functions and this is not available for data storage. As such, the actual available capacity for data storage is less than what is listed on the products.

**Performance measured using CrystalDiskMark 6.0.2 x64, write cache enabled, 1MB/sec = 1,048,576 bytes/sec ratio, msi X299 Chipset, Intel Core i7-7800K@3.5GHz, 32GB DDR4, Windows 10 x64 OS. Speed may vary due to host hardware, software, and usage.

*** Warranty conditions on www.magixtechnology.com/wa

DATASHEET

FUNCTION BLOCK DIAGRAM:



MECHANICAL SPECIFICATION:

