



Super Chipper



Model A17415J

OWNER/OPERATORS MANUAL

**READ THIS MANUAL BEFORE OPERATING SUPERCHIPPER
DEATH, PERSONAL INJURY AND/OR PROPERTY DAMAGE MAY OCCUR UNLESS
INSTRUCTIONS IN THIS MANUAL ARE FOLLOWED**

OWNERS INFORMATION

MACHINE MODEL NO: _____

SERIAL NO: _____

Located on label

HONDA ENGINE:

MODEL _____ **TYPE** _____ **SERIAL NO.** _____

BRIGGS & STRATTON ENGINE:

MODEL _____ **TYPE** _____ **CODE** _____

DATE OF PURCHASE: _____

OWNERS NAME: _____

ADDRESS: _____

TOWN/CITY: _____ **STATE:** _____

**AUTHORISED COX DEALER/
DISTRIBUTOR:** _____

ADDRESS: _____

TOWN/CITY: _____ **STATE:** _____

PRE DELIVERY CHECK LIST

Check parts Assemble Service Instruction

ALWAYS KEEP THIS MANUAL IN A SAFE PLACE.

SAFE OPERATING INSTRUCTIONS

WARNING

THIS MACHINE IS CAPABLE OF INFLECTING SERIOUS INJURY OR DEATH IF OPERATED IMPROPERLY—READ ALL WARNING & CAUTION LABELS.

The careless or improper use of a machine of this type can be dangerous. The manufacturer or selling agent does not accept responsibility for accidents causing injury either to the operator, to the owner or to any person directly or indirectly or to property if such accident is caused by circumstances arising other than by the negligence or default of COX INDUSTRIES.

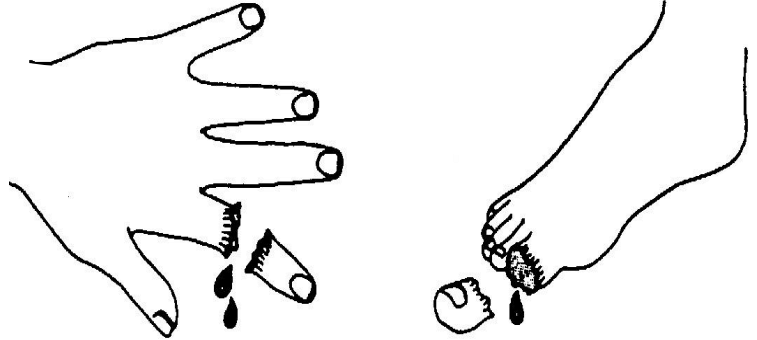
DANGER ! Rotating cutting blades.

Keep hands out of inlet opening while machine is running.

DANGER ! Rotating cutting blades.

Keep hands and feet out of discharge chute opening while machine is running.

DANGER ! This machine can CRUSH, GRIND, CUT, and SEVER parts of your body if they enter the inlet hopper or discharge chute or come into contact with the rotating components of your SuperChipper.



DANGER ! Thrown objects. Keep all parts of your body from entering the hopper inlet area, and the discharge chute deflector outlet area while the machine is running as objects ejected from the machine can cause serious injury.

DANGER ! Flammable or explosive vapors, poison gasses, hot parts, and high noise levels

Internal combustion engine fuel may vaporize into flammable or explosive gasses which if ignited may cause severe injury. Internal combustion engines emit carbon monoxide gas which if concentrated in a confined space may cause serious injury or death.

Internal combustion engine components can reach high temperatures which may cause serious burns, Internal combustion engines and power driven machinery can produce high noise levels which may cause hearing damage.

Caution! Moving the SuperChipper, preparing the materials for processing, and feeding the materials into the SuperChipper may involve excessive effort for some people and therefore cause muscle injuries.



SAFETY GOGGLES MUST BE WORN



Wear gloves



Safety matters



Wear ear protectors



SAFETY FOOT PROTECTION MUST BE WORN

WARNING: TO REDUCE THE POTENTIAL FOR ANY INJURY, COMPLY WITH THE FOLLOWING SAFETY INSTRUCTIONS. FAILURE TO COMPLY WITH THE INSTRUCTIONS MAY RESULT IN PERSONAL INJURY.

TRAINING AND PREPARATION

Read this owner's manual carefully in its entirety before attempting to assemble, maintain, repair or operate this machine. Become familiar with it for your own safety. Failure to do so may cause serious injury. Do not allow anyone to operate your Superchipper that has not read and understood this manual completely. Be completely familiar with the controls and the proper use of this machine before operating it. Keep this manual in a safe place for future and regular reference and for ordering replacement parts.

INTENDED USE

Your SuperChipper is for processing by chipping plant prunings, branches, stalks, bark, roots, leaves, grass & hay, paper & cardboard, dry manure, vegetable & fruit scraps, dead branches & timber, according to the operating instructions. It is designed for this use only and any other use may cause injury to persons or damage to the SuperChipper or other property.

OPERATOR'S RESPONSIBILITY

DO NOT allow children to operate your SuperChipper, nor adults lacking the proper instructions. Keep children, pets, and bystanders a minimum of 6 metres away from your work area. Flying chips can be hazardous.

DO NOT run this machine in an enclosed area since the exhaust from the engine contains monoxide, which is an odorless, tasteless and deadly poisonous gas.

DO NOT run this machine on cement or bitumen. This machine should be operated **ONLY** on a level earthen surface. **DO NOT** put your hands, feet, face, or any other part of your body in the feed hopper or discharge area. **DO NOT** remove the rubber inlet deflector attached to the hopper. This device prevents fly-back and must be intact at all times. This is a protective guard.

DO NOT operate your SuperChipper while under the influence of alcohol, drugs, or medication. A clear mind is essential for safety.

DO NOT allow a person who is tired or otherwise not alert to operate this machine.

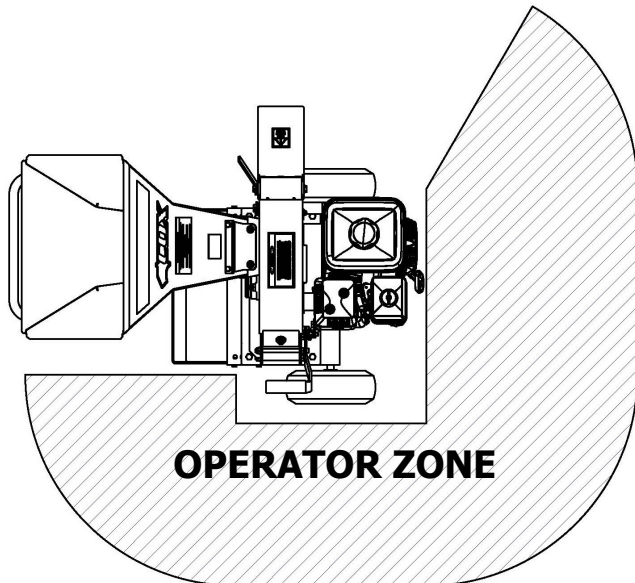
SAFETY WEAR

DO NOT wear loose clothing or jewellery that can be caught by moving parts of your SuperChipper and pull you into it. Keep all clothing away from moving parts. Wear adequate headgear to keep hair away from moving parts. Always wear safety glasses and work gloves at all times while operating your SuperChipper. A chip could fly out and hit you in the eye. Be sure your glasses fit properly and your gloves do not have loose cuffs or draw strings.

Always wear ear protection at all times while operating your SuperChipper. The noise of this machine could result in hearing loss.

OPERATING PROCEDURE

Only operate your SuperChipper from the operator zone.



Know how to turn the unit off. Disconnect spark plug lead before attempting to clear any discharge area.

DO NOT clear discharge area with hands, feet, or any other part of your body. DO NOT clear discharge area while unit is running. After SuperChipper is shutoff, then use a long handle tool to clear area.

DO NOT move your SuperChipper or leave it unattended with the engine running.

OPERATE IN SAFE ENVIRONMENT

DO NOT operate your SuperChipper on slippery, wet, muddy, or icy surfaces. Safe footing is essential in preventing accidents.

Only operate on level ground. If level ground is impossible to find, be sure the hopper is not positioned down hill as the SuperChipper is least stable in this position and can tip over, and cause injury and if the engine is running may cause engine damage due to loss of proper lubrication. Engine can also be deprived of proper lubrication if the angle of the ground to level is above 10 degrees. Do not position the SuperChipper with the discharge chute down hill, if the engine is running as this may cause engine damage due to loss of proper lubrication. Keep operator zone clean and clear of debris so that you don't stumble over it.

HANDLE PETROL WITH CARE as it is an extremely flammable fuel. Check the fuel before starting the engine. Do not fill the fuel tank indoors, while the engine is running, or while the engine is still hot. Turn the unit off and let the engine cool before refueling. Wipe the fuel cap and top of

fuel tank area before removing fuel cap to prevent dirt entering tank.

Fuel your SuperChipper in a clean area to avoid getting dirt in petrol tank. Do not smoke while refueling. Fuel tank cap must be secure at all times except during refueling. Avoid spilling petrol or oil. Wipe the unit clean of any spilled fuel or oil. Store fuel and oil in approved containers, away from heat or open flame, and out of reach of children.

REPAIR AND MAINTENANCE SAFETY

DO NOT operate your SuperChipper in poor mechanical condition or when in need of repair. Periodically check that all nuts, bolts, screws, are tightened to specifications. Be sure all safety guards and shields are in the proper position. These safety devices are for your protection. Don't service or repair your SuperChipper without removing the spark plug wire.

Replace old, damaged or worn parts such as bolts or guards immediately. Follow the Cox Maintenance Schedule & the engine owner's manual for engine maintenance and repair. If it is necessary, for any reason, to inspect or repair the hopper or any part of the machine where a moving part can come in contact with your body or clothing, stop the machine, allow it to cool, disconnect the spark plug wire from the spark plug and move it away from the spark plug before attempting such inspection or repair.

OPERATION

Whenever you operate your SuperChipper, wearing gloves and safety glasses is required. If it is necessary to push material into the inlet hopper, use a wooden stick, DO NOT use hands or a steel implement. At the end of this section there are additional cautions. Read and observe them.

The operation of any SuperChipper can result in foreign objects being thrown into the eyes, which can result in severe eye damage. Always wear safety glasses, or eye/face shields before chipping, or while performing any adjustments or repairs.

Branches are fed into the inlet hopper for chipping, up to 65mm in diameter or several together if of smaller diameter. Since the throat opening is 115mm high and 145mm wide, some side shoots or side branches may have to be trimmed from the main stalk before chipping. Cut long branches into lengths not longer than the length of the inlet hopper as placing longer or heavier objects into the inlet hopper may cause the SuperChipper to tip over and cause injury and if the engine is running may cause engine damage due to loss of proper lubrication. Short stubs of branches may be pushed through the chipper section with the next branch. DO NOT assume you know where the blade is and try to push short branches in by hand. You don't know where it is. Be safe, keep your hands away from the chipping blades.

(1) When feeding material into this equipment, be careful that pieces of metal, glass, rocks, bones, cans or other non-organic or foreign objects are not included. Do not feed in root balls as they usually have soil, sand, grit, stones or other hard or abrasive materials attached which will damage or blunt the blades and or other components.

(2) When chipping newspaper only feed 3 to 4 sheets at a time. Putting entire sections in could damage the rotor.

(3) Do not allow an accumulation of processed material to build up under the discharge of the SuperChipper as this can prevent following chipped material from discharging and will result in clogging. Use a long handled stick or spade to remove processed material build-up. **DO NOT USE YOUR HAND OR FOOT.** Always shut the unit off before clearing build-up.

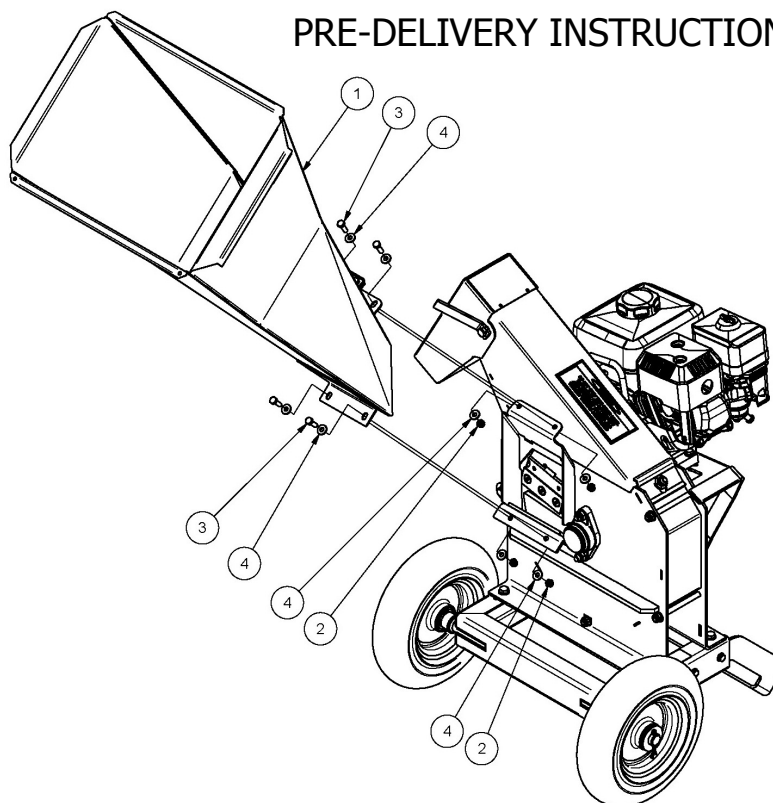
OPERATION continued

- (4) DO NOT allow your hands or any part of your body or clothing inside the feed hopper or discharge area of the SuperChipper. Use a wooden stick to push material down the hopper.
- (5) Keep all protective guards on the machine in place and in good working condition.
- (6) Always stand clear of the discharge area when the SuperChipper is running.
- (7) Keep your face and body away from the feed hopper to avoid being struck by any material that may bounce back. Do not over-reach, keep proper balance and footing.
- (8) Do not transport the SuperChipper while the engine is running.
- (9) Do not refuel the engine while it is hot, warm, or running.

- (10) Do not cover the machine while the muffler is still hot.
- (11) The engine must be kept clear of debris and other accumulations.

WARNING ! : This unit is equipped with an internal combustion engine and should not be used on or near any unimproved forest-covered, brush-covered or grass-covered land unless the engine’s exhaust system is equipped with a spark arrester meeting applicable local or state laws (if any). If a spark arrester is used, it should be maintained in an effective working order by the operator. A spark arrester for the muffler is available through your servicing dealer.

PRE-DELIVERY INSTRUCTIONS



1	A174130	SUB-ASSY,HOPPER,INTAKE	16.068 kg	1
2	NM8NT	NUT,HEX,NYLOC,THIN,M 8,PC6,ZNPL	0.006 kg	4
3	SH0825M	SCREW,HEX,M 8X 25,PC8.8,ZNPL	0.002 kg	4
4	W05M202	WASHER,FLAT,BRIGHT,5/16"x3/4"x14G	0.001 kg	8

ATTACH THE INLET HOPPER

If necessary the discharge chute can be pivoted out of the way to gain access to the inlet hopper mounting. Loosen the M10 nut, washer and plate. Pivot the chute up fully.

1. The M8 screws, nuts & washers required to mount the inlet hopper are transported in the mounting holes of the hopper. Remove them and lift the hopper into position on the chipper housing and loosely install the screws in the upper mounting holes first. This will hold the hopper in place while the lower mounting screws are installed. Tighten the nuts securely.
2. Push the chute back down, reposition the plate & washer and tighten the nut securely.

CHECK TYRE PRESSURES AND FLUID LEVELS

1. Ensure the tyres are inflated to 170 to 205kPa (25 to 30psi)
2. Ensure engine oil is at the correct level as per the engine owners manual.
3. Ensure the correct fuel is used as per the engine owners manual.

WARNING

IF PETROL IS ACCIDENTLY SPILLED, MOVE THE SUPERCHIPPER AWAY FROM THE SPILL AREA, AVOID CREATING ANY SOURCE OF IGNITION UNTIL PETROL VAPORS HAVE DISAPPEARED.

BEFORE STARTING:

FILL FUEL TANK WITH UNLEADED FUEL AND CHECK ENGINE OIL LEVEL/TOP UP IF NECESSARY. Refer to engine operator's manual for correct oil specification and oil level checking procedure.

NOTE: BE VERY CAREFUL NOT TO ALLOW DIRT TO ENTER THE ENGINE WHEN CHECKING OR ADDING OIL OR FUEL. USE CLEAN OIL AND FUEL. ALWAYS STORE IN APPROVED, CLEAN, CONTAINERS.

CAUTION: To avoid engine problems, the fuel system should be empty before storage for 30 days or longer. DO NOT use engine or carburetor cleaner products in the fuel tank or permanent damage may result.

TO START ENGINE

WARNING!:

BE SURE NO ONE, OTHER THAN THE OPERATOR IS STANDING NEAR THE SUPERCHIPPER WHILE STARTING OR OPERATING. DO NOT OPERATE THIS SUPERCHIPPER UNLESS THE DISCHARGE DEFLECTOR HAS BEEN PROPERLY INSTALLED AND IS SECURED. REFER TO ENGINE OPERATOR'S MANUAL FOR CORRECT STARTING PROCEEDURE.

HOW TO USE YOUR SUPERCHIPPER

To Start.

Disengage the drive belts by pulling engagement lever down.

Start engine as per engine operator's manual and set to full speed.

Rotor engagement.

Slowly pull up the engagement lever to engage drive belts. The belt will slip initially until rotor speed has built up. If the lever is pulled up too quickly the engine will stall. Lock the lever in the up position and proceed with chipping.

Leaves and small branches can be fed into the inlet hopper.

If it becomes necessary to push material into the hopper, use a small diameter stick— **NOT YOUR HANDS.**

To Stop SuperChipper.

When finished set the engine to idle and disengage the lever by pulling out and then switch the engine off. The rotor can take three to four minutes to stop spinning as there nothing to slow it down. Do not remove any covers during this time.

Emergency Stop Only.

Engage stop switch on engine.

Always disconnect spark plug lead and move the lead away from spark plug to prevent accidental starting while equipment is unattended.

USAGE GUIDELINES

Follow these guidelines to ensure you get the best performance from your SuperChipper and minimize the risk of injury and prevent premature machine failure.

1. The SuperChipper is self-feeding and has a large inlet, therefore it can be easily stalled due to overloading of inlet hopper. Feed branches and material slowly and carefully into the chipper and mix short pieces in with longer ones. As you use the chipper you will become familiar with its capabilities and be able to vary the feed rate according to material type.
2. Feed limbs and branches through the butt end first, leaving the bushy head on. This helps guide the limb down the inlet hopper, reduces spinning and the occurrence of ejection of small pieces back up the inlet hopper.
3. Paper and cardboard will process better if lightly moistened and rolled into a log shape.
4. Hay can be chaffed (break bales down before feeding into chipper).
5. Grass clippings, bark and dry manure can also be processed. Use the chipper to mix these in with other materials if desired.
6. Prior to starting the chipper, trim any side branches which may catch on the sides of the inlet hopper.
7. Avoid feeding short, stubby pieces of dead wood into the chipper, as they tend to bounce and spin in the inlet hopper.
8. During operation, where required, use a wooden stick (approx 30mm diameter by 600mm long) to assist with feeding short, brushy and very leafy material and to keep inlet hopper clear.
9. It is best to process freshly cut materials; wooden branches become very hard and springy when dried out making them more awkward to handle and they will quickly blunt the blades.
10. Soft, wet or fibrous materials can clog up the chipper. To avoid clogging, alternate the feeding of soft, wet materials with dryer branches as the woodchips assist to clean out the machine.
11. Chipping timber through the machine can clean out any residue left in the machine.
12. As the discharged material piles up, either move the chipper or the processed material to keep the outlet free.
13. **DO NOT** position the discharge deflector vertically as this will affect airflow, impede discharge and blocking will occur.
14. If any stringy material becomes wrapped around the rotor shaft, remove it before it works itself into the bearing. Anti wrapping lugs either side of the shaft have now practically eliminated this problem. However, keep the lugs clear of this material.

DO NOT LET CHILDREN CLIMB ON THE SUPERCHIPPER AS IT MAY BECOME UNSTABLE AND/OR TIP OVER CAUSING SERIOUS INJURY.

WARNING

THE SUPERCHIPPER DISCHARGES MATERIALS WITH CONSIDERABLE VELOCITY, KEEP AWAY FROM THE AREA NEAR THE DISCHARGE DEFLECTOR.

WEAR SAFETY GLASSES, GLOVES, EAR & FOOT PROTECTION WHENEVER USING YOUR SUPERCHIPPER

WARNING

DO NOT DEPOSIT MATERIAL LARGER THAN 65mm DIAMETER IN THE INLET HOPPER. DAMAGE TO THE FRONT HOUSING, ROTOR AND CRANKSHAFT MAY RESULT IF MATERIAL GREATER THAN 65mm IS FED INTO THE HOPPER.

MAINTENANCE

If the cutting mechanism strikes any foreign object or if your machine should start making an unusual noise or vibrating, stop the engine, disconnect spark plug wire from the spark plug. Allow the engine to cool before:

- (a) Inspect for obvious damage.
- (b) Check for loose parts and tighten to assure continued safe operation.
- (c) Replace or repair any damaged parts.

The engine governor setting on your machine must not be altered, changed or tampered with. The governor controls the maximum safe operating speeds and protects the engine and all moving parts from damage caused by over-speed.

Do not operate engine if air cleaner or cover directly over carburetor air intake is removed, except for adjustment. Removal of such parts could create a fire hazard. Do not use flammable solutions to clean the air filter.

LUBRICATION OF THE ENGINE

Check engine oil level regularly—WHILE THE UNIT IS IN THE UPRIGHT POSITION (Wheels and foot on level ground & SuperChipper disengaged). Check the oil every five hours of operation and before each usage. Stop engine and wait several minutes before checking oil level. Refer to the engine 'Operators Manual' for correct oil level. Change oil after the first two hours of operation and

every 50 hours thereafter. Refer to the engine operator's manual enclosed with this unit for additional information on your engine.

ENGINE SPEED

Your engine speed has been factory set. Do not attempt to increase engine speed, or it may result in personal injury. If you believe the engine is running too fast or too slow, take your SuperChipper to your servicing Cox dealer.

TYRE PRESSURE

Approx 205Kpa (30PSI). Low pressure can cause machine to be unstable.

STORAGE

DO NOT store your SuperChipper indoors or in an enclosed, poorly ventilated area if petrol remains in the tank. Fumes may reach an open flame, spark or pilot light from a furnace, water heater, clothes dryer, cigarette, etc. When not in use, your SuperChipper should be stored out of reach of children with the spark plug wire removed from spark plug. For long periods of storage (over 3 months) fuel should be drained from the fuel tank. Always allow the engine to cool before storing or covering.

WARNING! DO NOT PLACE SUPERCHIPPER IN ANY OTHER POSITION THAN UPRIGHT (ON WHEELS AND FOOT) AS ENGINE CAN BE DAMAGED.

VEE BELT ADJUSTMENT & REPLACEMENT

TO ADJUST DRIVE BELTS

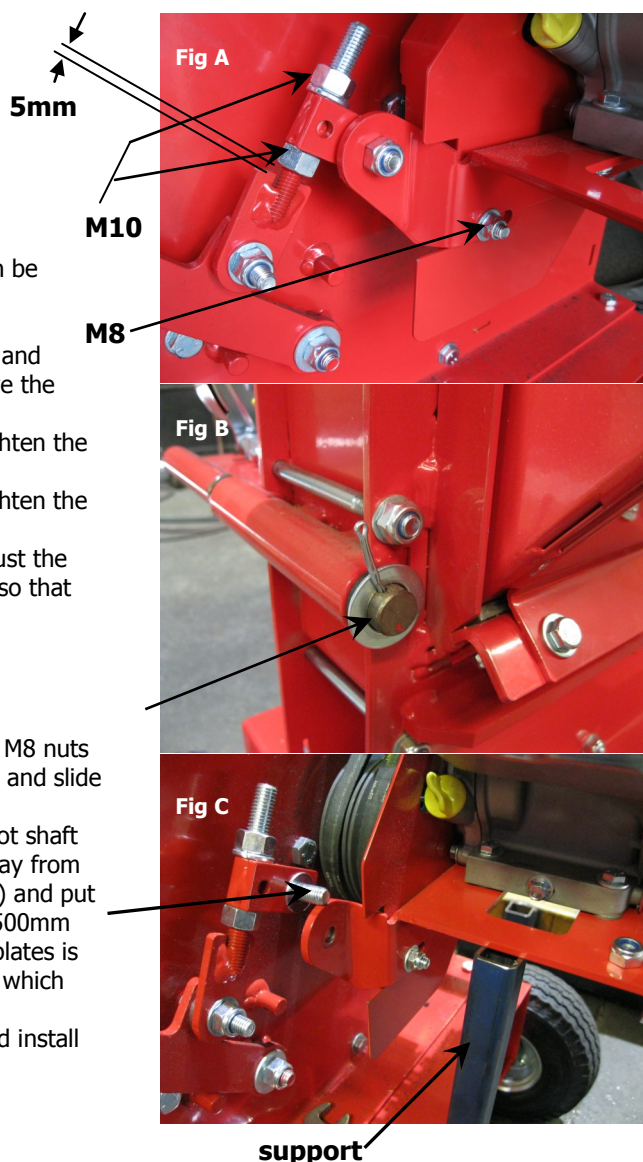
Drive belt adjustment should initially be carried out on the overcentre link. Adjust the 10mm nuts (Fig A) upward to tighten belts.

When the overcentre link runs out of adjustment the belts can be adjusted using a combination of the overcentre link and moving the engine.

1. When this happens loosen the four engine mounting bolts and the M8 nut (Fig A) at the side of the engine plate and move the lever to the (up) engaged position.
2. Adjust the lower M10 nut (Fig A) to be about 5mm and tighten the upper nut to the link.
3. Push the engine away until the belts are tight and then tighten the engine mounting bolts and the M8 nut (Fig A) at the side.
4. Finer adjustment can be made at the overcentre link. Adjust the link so that the lever is firm to push and lock into position so that there is no belt slippage when operating the machine.

TO REPLACE VEE BELTS

1. Move engagement lever down to disengage position.
2. Remove upper and lower belt guards.
3. Loosen the four M8 (Fig A) engine mounting bolts and the M8 nuts (Fig A) the holds part of the belt guard to the engine plate and slide the engine to the end of the slot towards the lever.
4. Remove split pin and washer (Fig B) from engine plate pivot shaft and push the shaft in to move the engine about 12mm away from the housing. Remove the overcentre connector nut (Fig C) and put a support (Fig C) under the engine mounting plate about 500mm long. Remove the bolt ensuring the washer between the plates is not lost. This is to ensure the engine does not drop down which could cause damage and/or personal injury.
5. This will give enough clearance to remove the old belts and install the new ones after inspecting the pulleys for wear.
6. Proceed with drive belts adjustment.



BLADE REPLACEMENT & ANVIL ADJUSTMENT

BLADE REPLACEMENT

Remove the inlet hopper and the upper chipper housing to gain access to the blade screws and expose the rotor.

Use a 5mm allen key and a suitable 13mm spanner or socket to remove the blades and the 3mm spacer plate under the blades.

When installing new blades, screws and nuts ensure that the spacer plates and the mounting area are clean and tighten the nuts to the specified torque (15 N.m).

Replace blades only in pairs with new screws & nuts to maintain correct balance of rotor.

New blades are very sharp and can cause serious injury if handled carelessly.

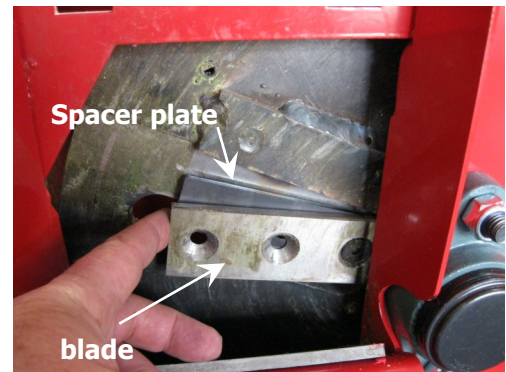


ANVIL ADJUSTMENT

The anvil is case hardened and reversible. Under normal operating conditions the edges will last a long time however, if they do become rounded, they must be replaced. Maintaining a straight edge on the anvil is essential to the safe and efficient operation of the chipper.

The clearance between the blades and the anvil should be between 1 - 2mm for efficient operation of the chipper. Insufficient clearance may result in damage to the blades and anvil as they may come into contact during operation. Excessive clearance will result in fibrous materials being dragged through the machine rather than chipped, and reduce the chippers ability to self feed. To adjust the clearance, proceed as follows:-

1. Loosen the nyloc nuts and screws holding the anvil enough to allow the anvil to move with slight force.
2. Rotate the cutting disc to align each blade in turn against the anvil and slide the anvil in or out to achieve a clearance between 1 - 2mm using feeler gauges.
3. Once the clearance has been set, tighten the nyloc nuts and recheck the clearance.



MAINTENANCE SCHEDULE

BEFORE EACH USE

Check engine oil level, adjust if required
 Check engine air cleaner foam pre-cleaner, service if required
 Check engine rotating screen/finger guard, clean if required

Check tyre pressures, adjust if required
 Check for loose fasteners, tighten if required
 Check housings and guards for wear or damage, replace if required

BEFORE STORAGE Change engine oil - Empty fuel - Clean machine - Lubricate as per required

EVERY 5 HOURS

Check engine oil level, adjust if required
 Check engine air cleaner foam pre-cleaner, service if req.
 Check engine rotating screen/finger guard, clean if required
 Check for loose fasteners, tighten if required

Check housings and guards for wear or damage, replace if required
 Check tyre pressures, adjust if required

EVERY 20 HOURS

Change engine oil if operating under heavy load or high ambient temperature
 Check engine air cleaner foam pre-cleaner, service or replace if required *
 Check engine rotating screen/finger guard, clean if required *
 Check tyre condition & pressures, adjust or replace if required
 Check housings and guards for wear or damage, replace if required
 Check for loose fasteners, tighten if required
 Check belts for wear or damage, adjust or replace if required

Lubricate bearings as required
 Lubricate rotor using spray lubricant
 Check chipper blades and anvil condition & clearance service or replace if required
 Check engine spark plug, clean, adjust, or replace if required

*Service more often under heavy use conditions, or where air borne debris is present

TROUBLE SHOOTING

PROBLEM	POSSIBLE CAUSE(S)	CORRECTIVE ACTION
Engine fails to start	<ol style="list-style-type: none"> 1. Fuel tank empty, or stale fuel. 2. Fuel valve control not in on position. 3. Stop control not in on position. 4. Spark plug wire disconnected. 5. Faulty spark plug. 	<ol style="list-style-type: none"> 1. Fill tank with clean, fresh fuel. 2. Move fuel valve control to on position. 3. Move stop control to on position. 4. Connect wire to spark plug. 5. Clean, adjust gap or replace spark plug.
Loss of power erratic	<ol style="list-style-type: none"> 1. Spark plug wire loose. 2. Blocked fuel line or stale fuel. 3. Water or dirt in fuel system. 4. Dirty air cleaner. 5. Choke control on. 	<ol style="list-style-type: none"> 1. Connect and tighten spark plug operation wire. 2. Clean fuel line; fill tank with clean fuel. 3. Drain fuel tank, fuel line & carburetor. Refill with fresh fuel. 4. Clean or replace air filter. 5. Move choke control to off/run position.
Engine overheats	<ol style="list-style-type: none"> 1. Carburetor not functioning properly. 2. Engine oil level low. 	<ol style="list-style-type: none"> 1. Have unit serviced at your Cox dealer. 2. Fill crankcase with proper oil.
Too much vibration	Loose parts or damaged assembly.	Stop engine immediately and disconnect spark plug wire. Tighten all bolts and nuts. Make all necessary repairs. If vibration continues, have unit serviced by your Cox Dealer
Rotor slows down	Overfeeding material into hopper	Reduce feed in quantity
No drive to rotor	Belts out of adjustment or damaged	Check belts for wear or damage, adjust or replace as required
Material not pulling through properly	Blunt or damaged blades and anvil	Check chipper blades and anvil condition & clearance service or replace as required

WARNING!:

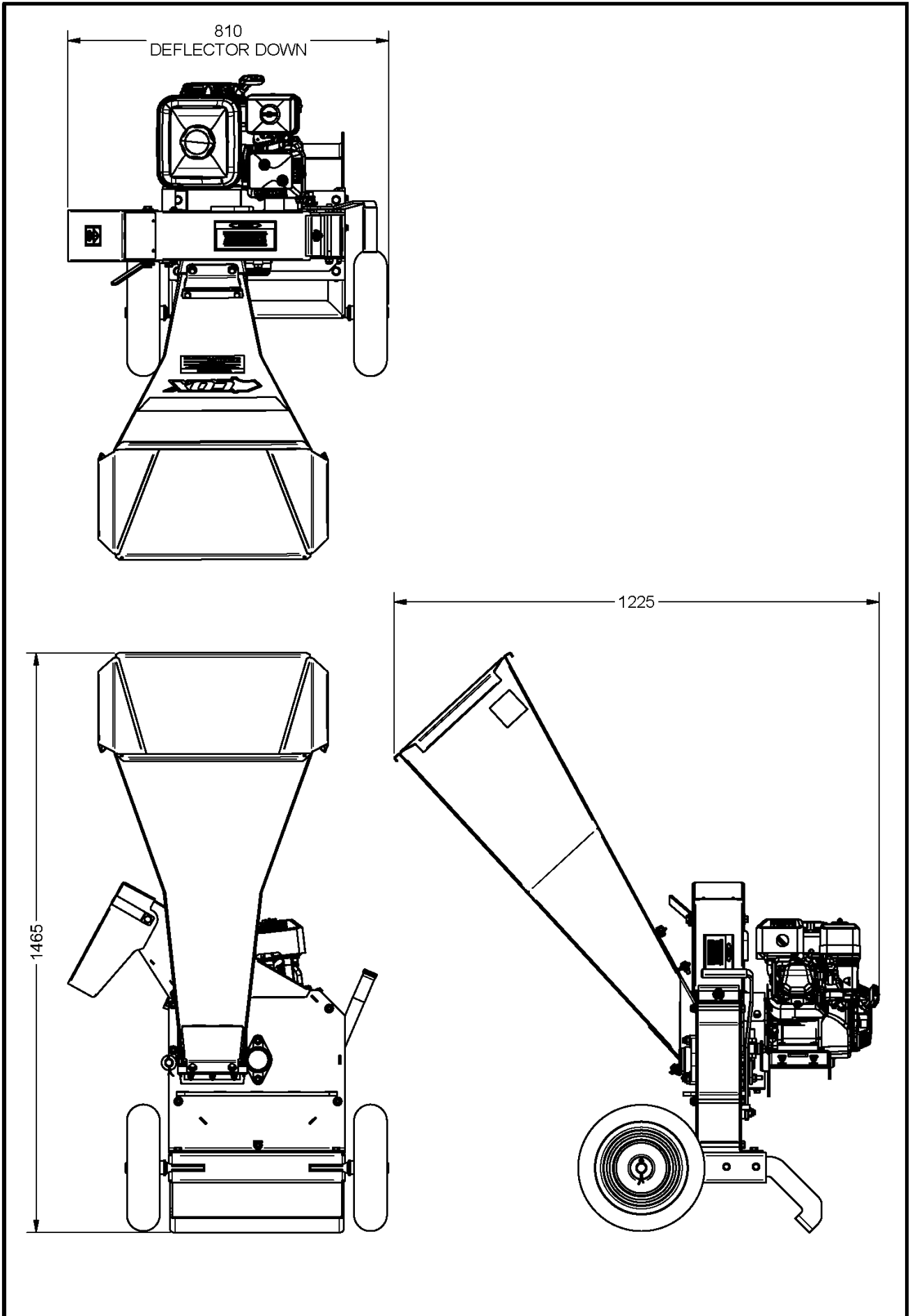
For repairs beyond the minor adjustments listed above, please contact your Cox Servicing Dealer.

Ensure spark plug lead is disconnected from spark plug, before performing repairs and or maintenance on this machine.

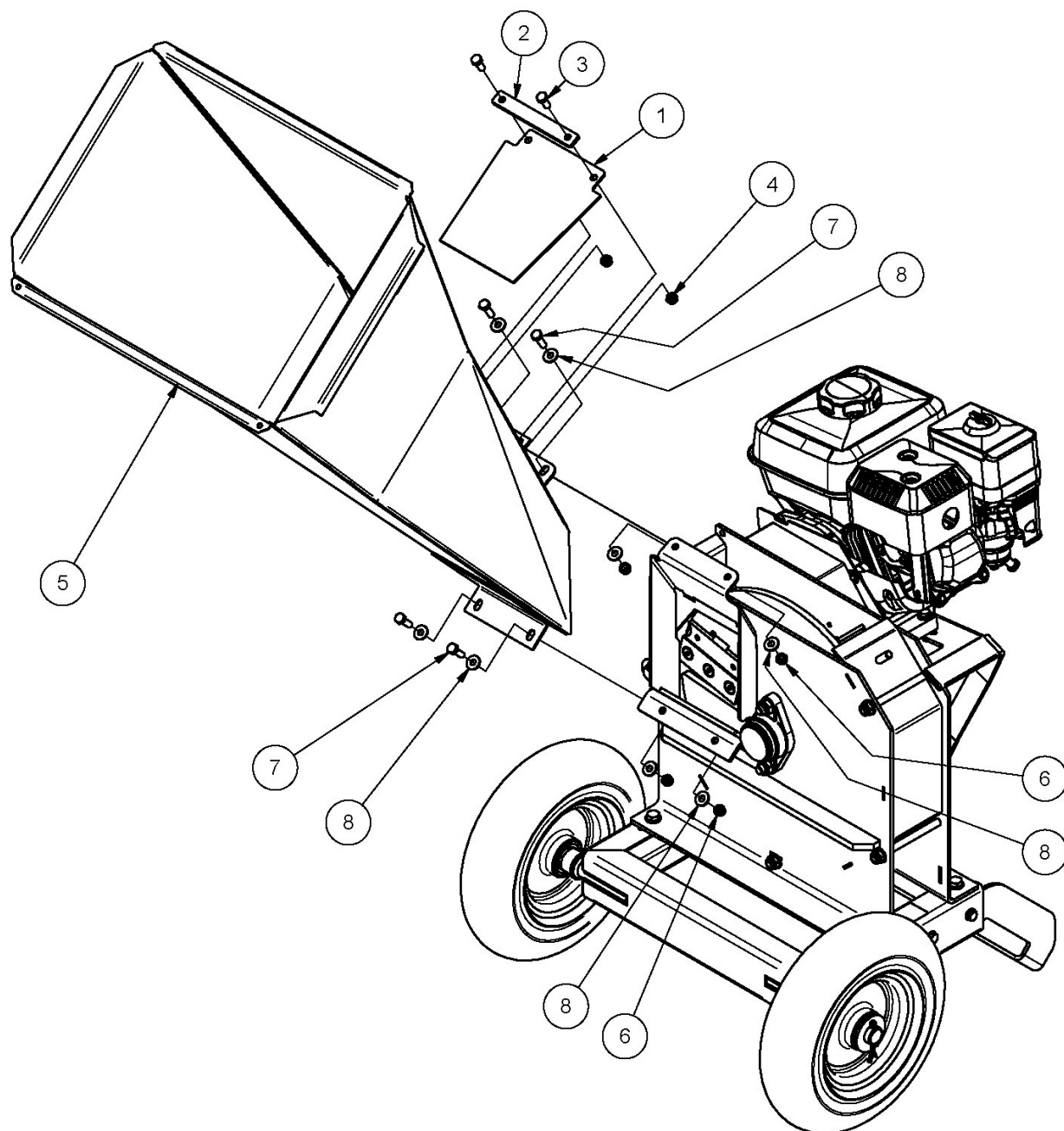
Specifications

Dimensions, Mass, Capacity	
Length	1225 mm
Width Min/Max Deflector	Down 810mm/845mm Up
Height	1465 mm
Dry Mass	98 kgs
Engine Design & Performance	
Model	Briggs & Stratton (130G32 0090H1)
Type:- Petrol, 4 Stroke, Air Cooled, 19mm [3/4"] Horizontal PTO Shaft, Fuel Tank, Recoil Start	350 Series
Cylinder Configuration	Cast Iron Sleeve Single
Displacement	208cm ³
Valve Type	Overhead
Rated Engine Speed (No Load) Maximum	3600RPM
Idle	1800RPM
Fuel Tank Capacity	3.1 Litre
Engine oil Capacity	0.6 Litre
Model	
Honda (GX200 UT2QX2)	
Type:- Petrol, 4 Stroke, Air Cooled, 19mm [3/4"] Horizontal PTO Shaft, Fuel Tank, Recoil Start	
Cylinder Configuration	Cast Iron Sleeve Single
Displacement	196cm ³
Valve Type	Overhead
Rated Engine Speed (No Load) Maximum	3600RPM
Idle	1800RPM
Fuel Tank Capacity	3.1 Litre
Engine oil Capacity	0.6 Litre
Machine Design and Performance	
Type:- Engine PTO Shaft driving disengageable twin V Belt driven rotor with 2 greaseable unit ball bearing mounts	2 Bolted Chipper Knife Blades & adjustable hardened Anvil
Capacity:- Inlet Hopper	65mm [2-1/2"] diameter
Maintenance	
Fuel	Unleaded or E10 Unleaded
Oil	Refer engine manual
Tyre Pressure	205Kpa (30PSI)
Chipper Knife Blade Kit Cox Part No. (Tighten Screws to 15 N.m [11 lb ft] of torque)	KIT260
Options Nylon Knit Bag for Discharge Collection	M705-0079

EXPLODED VIEW CGR06H - A17415J

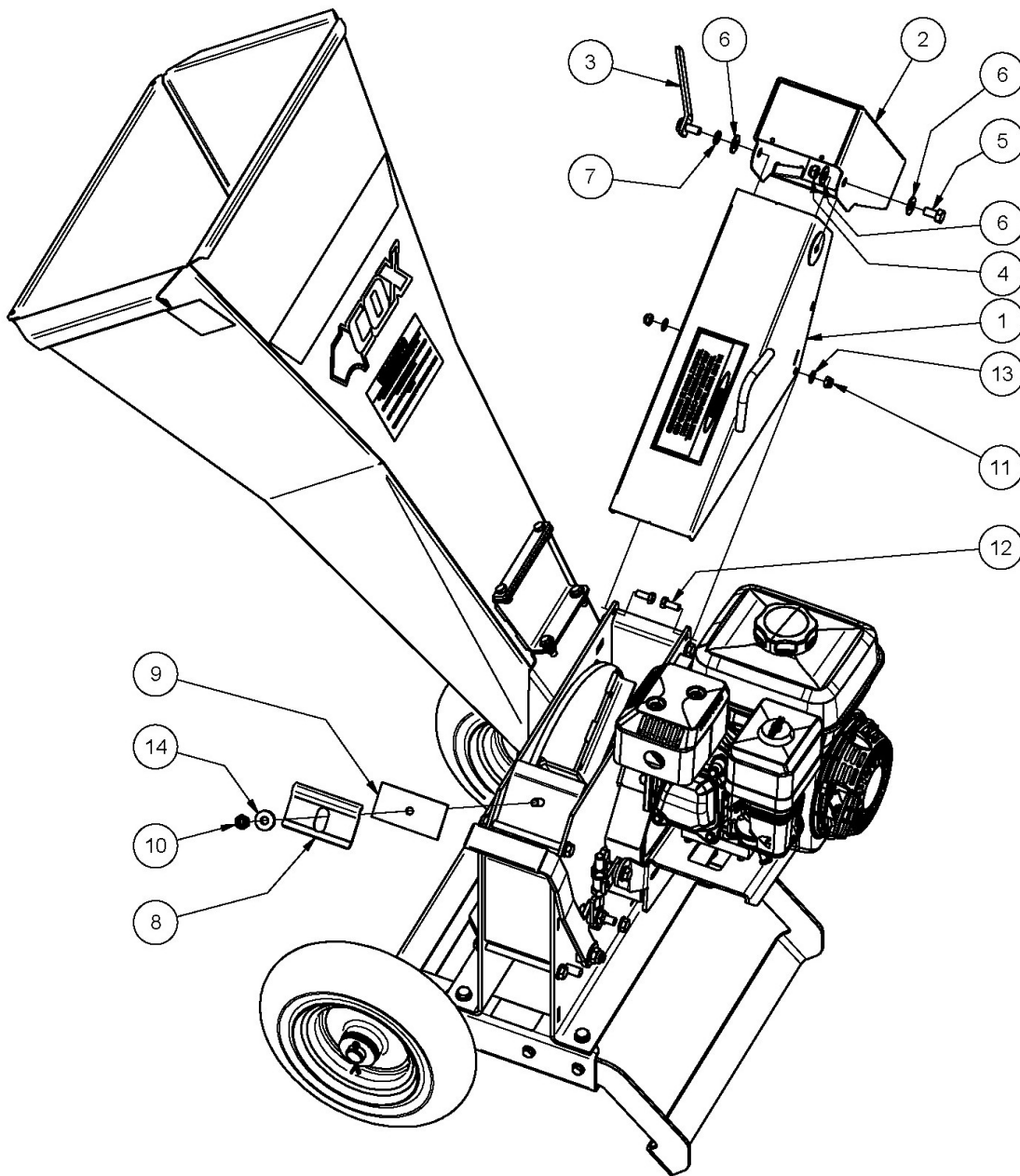


MODEL A17415J: HOPPER COMPONENTS



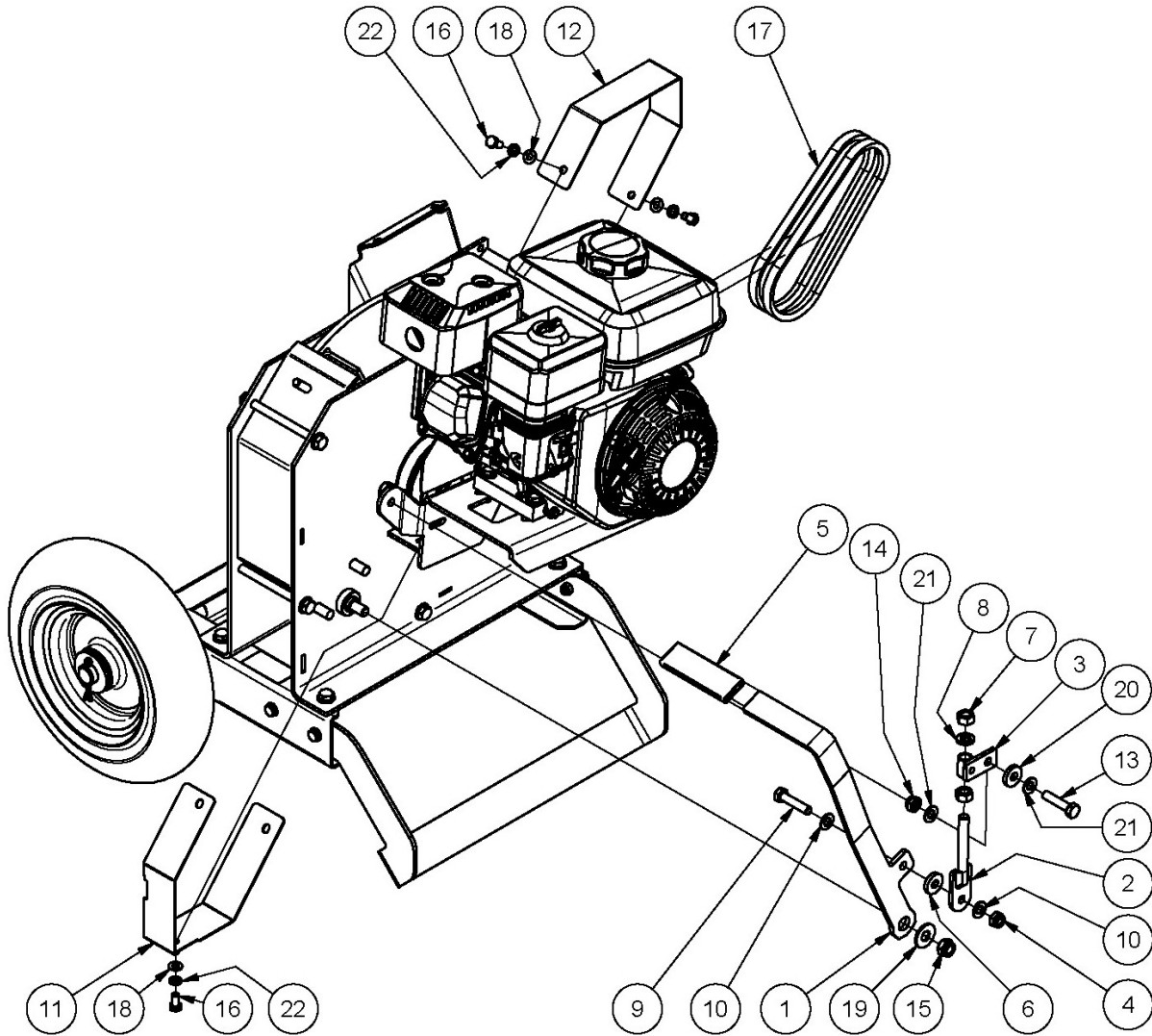
ITEM	PART NUMBER	DESCRIPTION	QTY
1	A174033	Deflector, Inlet, Rubber	1
2	A174035R	Clamp, Deflector, Red	1
3	SH0820M	Screw, Hex, M 8x 20, Pc8.8	2
4	NM8NT	Nut, Hex, Nyloc, Thin, M 8, Pc6	2
5	A174131R	Hopper, Inlet, Red	1
6	NM8NT	Nut, Hex, Nyloc, Thin, M 8, Pc6	4
7	SH0825M	Screw, Hex, M 8x 25, Pc8.8, Znpl	4
8	W05M202	Washer, Flat, Bright, 5/16"X3/4"X14g	8

MODEL A17415J: DISCHARGE CHUTE COMPONENTS



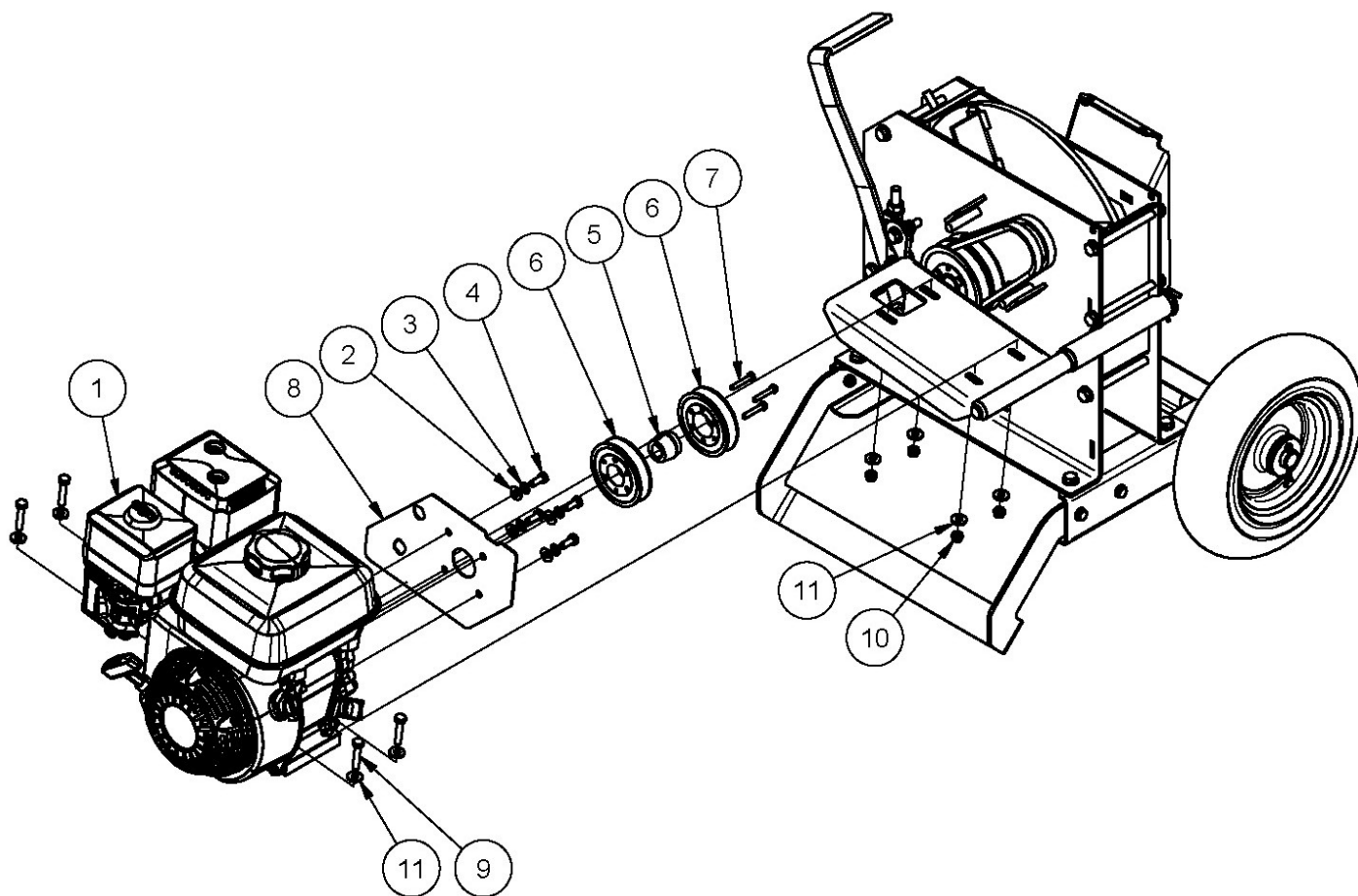
ITEM	PART NUMBER	DESCRIPTION	QTY
1	A174071R	Chute, Discharge, Red	1
2	A174073R	Deflector, Discharge, Red	1
3	A174075R	Lever, Clamp, Red	1
4	NHCM10	Nut, Hex, Conelock, M10, Pc8	1
5	SH1020M	Screw, Hex, M10 X 20, Pc8.8	1
6	W10M	Washer Comm Flat Zinc Plated 3/8" (10mm)	3
7	WSM10X3.7X2.5	Washer, Lock, Spring, M10x3.5x2.2	1
8	A174091R	Hold Down, Cover, Rotor, Red	1
9	A174101	Pad, Hold Down, Rubber	1
10	NM10NT	Nut, Hex, Nyloc, Thin, M10, Pc6	1
11	NM8NT	Nut, Hex, Nyloc, Thin, M 8, Pc6	2
12	SH0820M	Screw, Hex, M 8x 20, Pc8.8	2
13	W08MN	Washer, Flat, Bright, M 8x 17x1, 2	2
14	W102705	Washer, Flat, Black, 10.5x27x5	1

MODEL A17415J: COVER, BELTS, ENGAGEMENT COMPONENTS



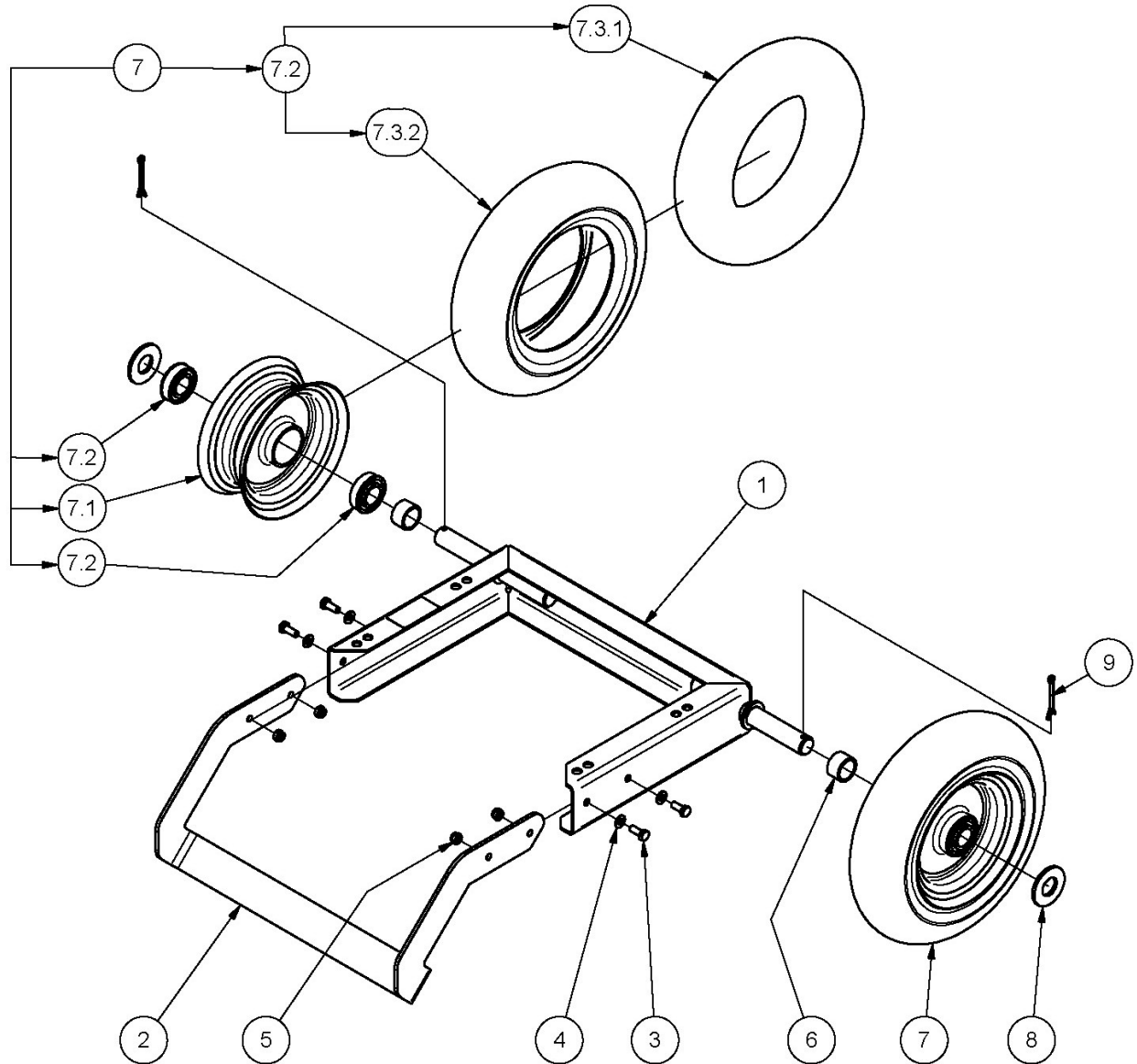
ITEM	PART NUMBER	DESCRIPTION	QTY
1	A174041R	Lever, Engage, Red	1
2	A174043R	Link, Adjust, Red	1
3	A174045R	Link, Pivot, Red	1
4	NM10NT	Nut, Hex, Nyloc, Thin, M10, Pc6	1
5	AM009	Hand Grip, 32x6x110 DIP	1
6	W102705	Washer, Flat, Black, 10.5x27x5	1
7	N12M	Nut, Hex, M12	2
8	WSM12X4.2X3.0	Washer, Lock, Spring, M12x4.2x3.0	1
9	B1045M	Bolt, Hex, M10x 45, Pc8.8	1
10	W10MN	Washer, Flat, Bright, M10x 21x1.6	2
11	A174093R	Guard, Drive, Lower, Red	1
12	A174095R	Guard, Drive, Upper, Red	1
13	B1045M	Bolt, Hex, M10x 45, Pc8.8	1
14	NM10NT	Nut, Hex, Nyloc, Thin, M10, Pc6	1
15	NM12NT	Nut, Hex, Nyloc, Thin, M12, Pc6	1
16	SH0816M	Screw, Hex, M 8x 16, Pc8.8	3
17	V70	Belt, V	2
18	W08MN	Washer, Flat, Bright, M 8x 17x1, 2	3
19	W091825	Washer, 13.5x32x2.5	1
20	W102705	Washer, Flat, Black, 10.5x27x5	2
21	W10MN	Washer, Flat, Bright, M10x 21x1.6	2
22	WS050216	Washer, Lock, Spring, 5/16"X1/8"X1/16"	3

MODEL A17415J: ENGINE DRIVE COMPONENTS



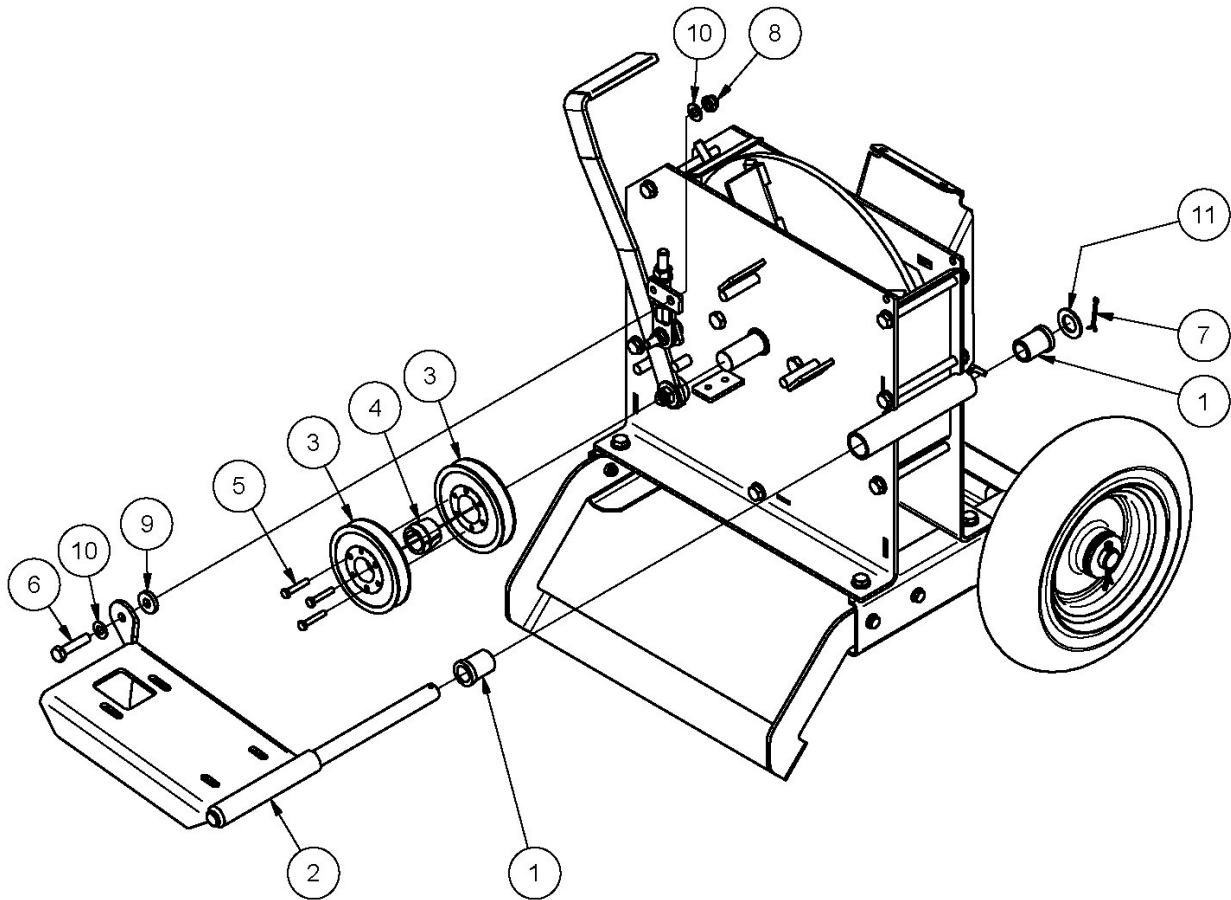
ITEM	PART NUMBER	DESCRIPTION	QTY
1		Engine	1
2	W051218	Washer, Flat, Bright, 5/16"X3/4"X18g	4
3	WS050216	Washer, Lock, Spring, 5/16"X1/8"X1/16"	4
4	SH0512F	Screw, Hex, Unf, 5/16"X 3/4", Gr5	4
5	A174105	Bush	1
6	A174103	Pulley	2
7	B0635M	Bolt, Hex, M 6x 35, PC8.8	3
8	A174110R	Guard, Drive, End, Red	1
9	B0840M	Bolt, Hex, M8x40, Pc8	4
10	NM8NT	Nut, Hex, Nyloc, Thin, M 8, Pc6	4
11	W05M202	Washer, Flat, Bright, 5/16"X3/4"X14g	4

MODEL A17415J: UNDERCARRIAGE COMPONENTS



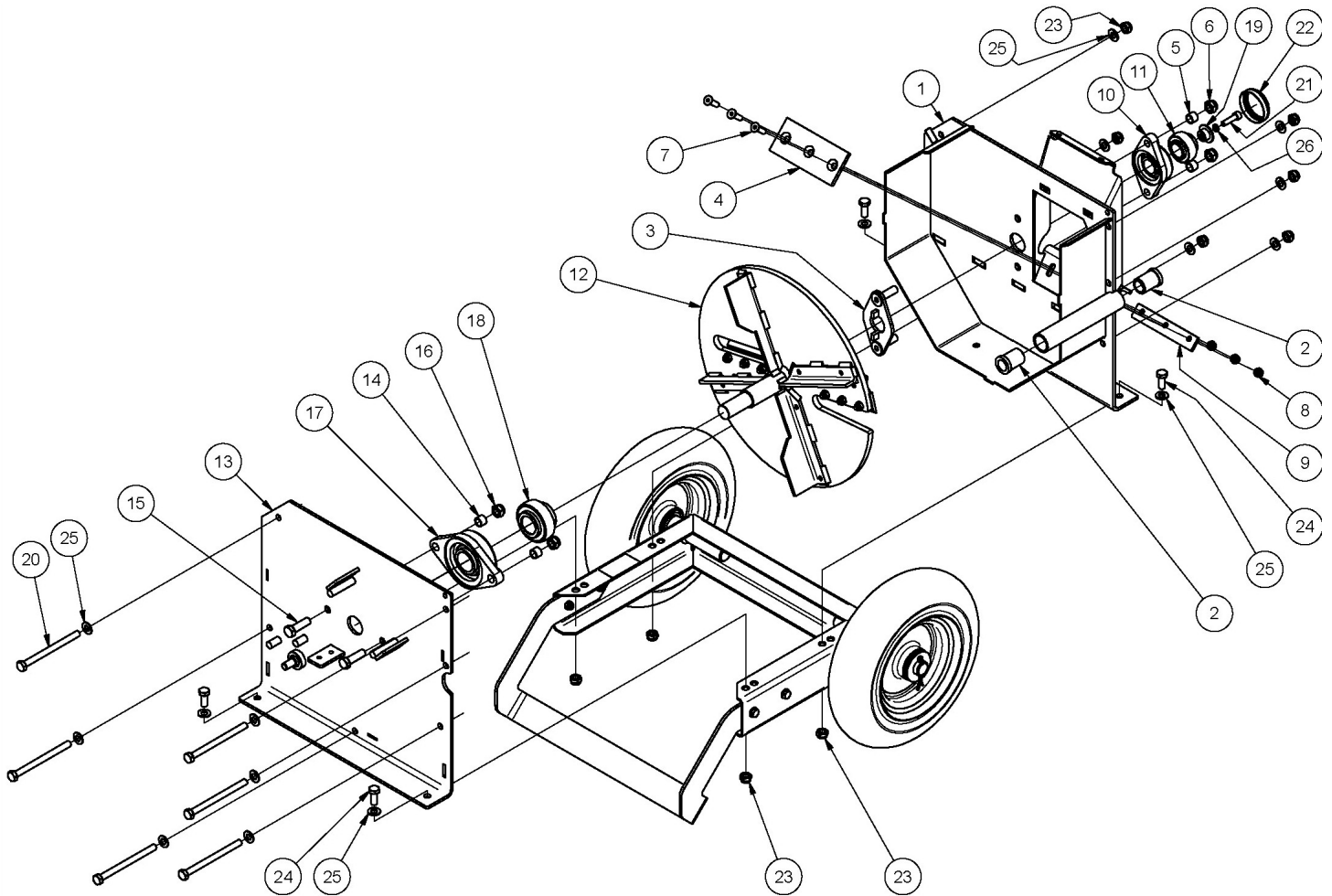
ITEM	PART NUMBER	DESCRIPTION	QTY
1	A174181R	Undercarriage, Red	1
2	A174183R	Foot, Red	1
3	SH0820M	Screw, Hex, M 8x 20, Pc8.8	4
4	W08MN	Washer, Flat, Bright, M 8x 17x1, 2	4
5	NM8NT	Nut, Hex, Nyloc, Thin, M 8, Pc6	4
6	A175085Z	Sleeve, Spacer, 27.3x33.7x19.5	2
7	A174188	Wheel	2
7.1		Rim	1
7.2	BBSC25.4	Bearing, Ball, Flanged, 25.4x50x18, Sealed	2
7.3	TT410X6	Tyre+Tube	1
7.3.1	TU410X6	Tube	1
7.3.2		Tyre	1
8	W173404	Washer, Flat, Black, 26.5x55x4	2
9	CP5-050	Pin, Split, Steel, 5.0x 50	2

**MODEL A17415J:
CHIPPER DISC DRIVE PULLEY, ENGINE BASE COMPONENTS**



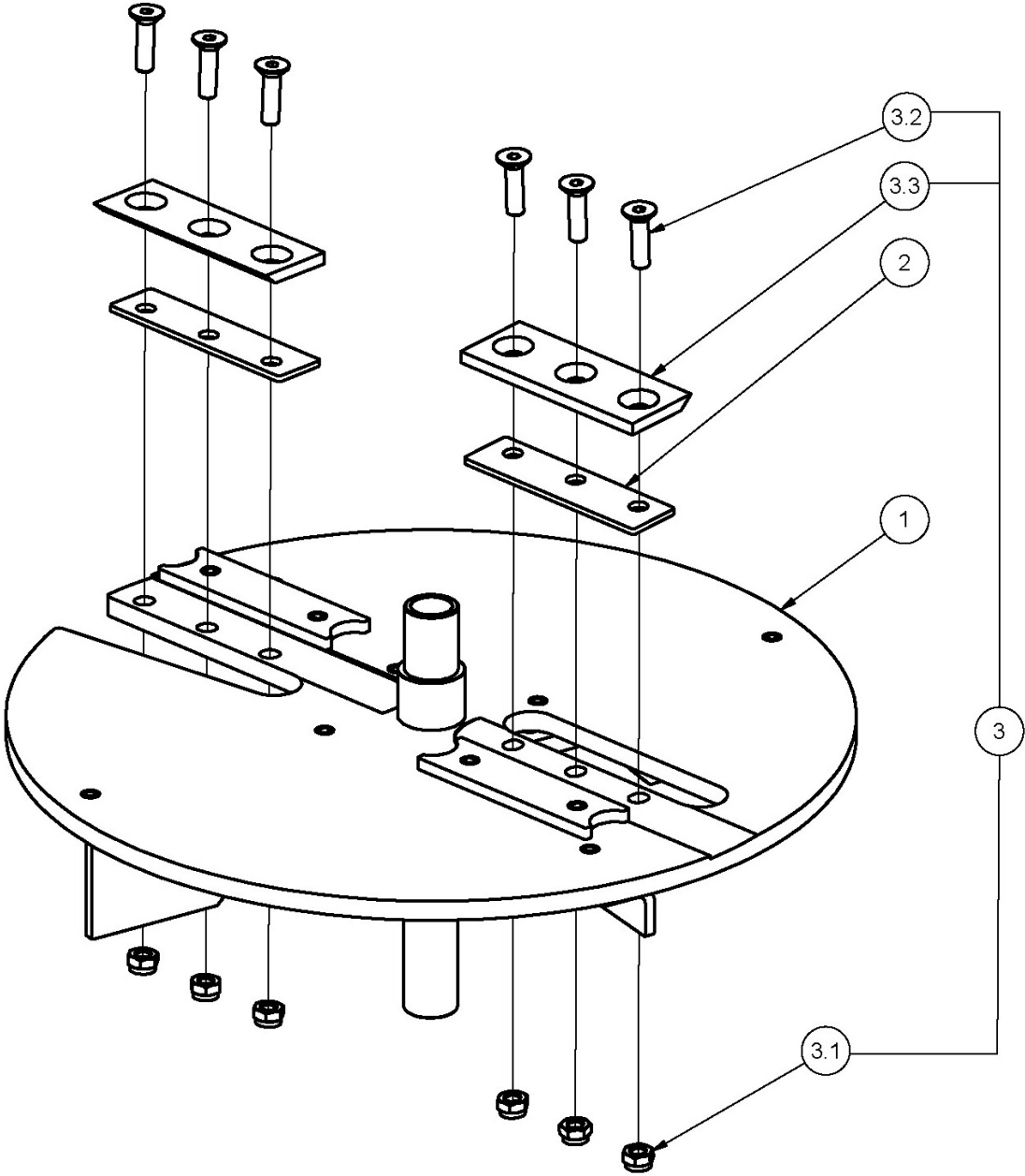
ITEM	PART NUMBER	DESCRIPTION	QTY
1	A174106	Bush, Pivot, Base, Engine, Nylon	2
2	A174061R14M	Base, Engine, Red	1
3	A174102	Pulley, V	2
4	A174104	Bush	1
5	B0635M	Bolt, Hex, M 6x 35, PC8.8	3
6	B1045M	Bolt, Hex, M10x 45, Pc8.8	1
7	CP3-240	Pin, Split, Steel, 3.2x 40	1
8	NM10NT	Nut, Hex, Nyloc, Thin, M10, Pc6	1
9	W102705	Washer, Flat, Black, 10.5x27x5	1
10	W10MN	Washer, Flat, Bright, M10x 21x1.6	2
11	W20MN	Washer, Flat, Bright, M20x 37x2.0	1

MODEL A17415J: HOUSING COMPONENTS



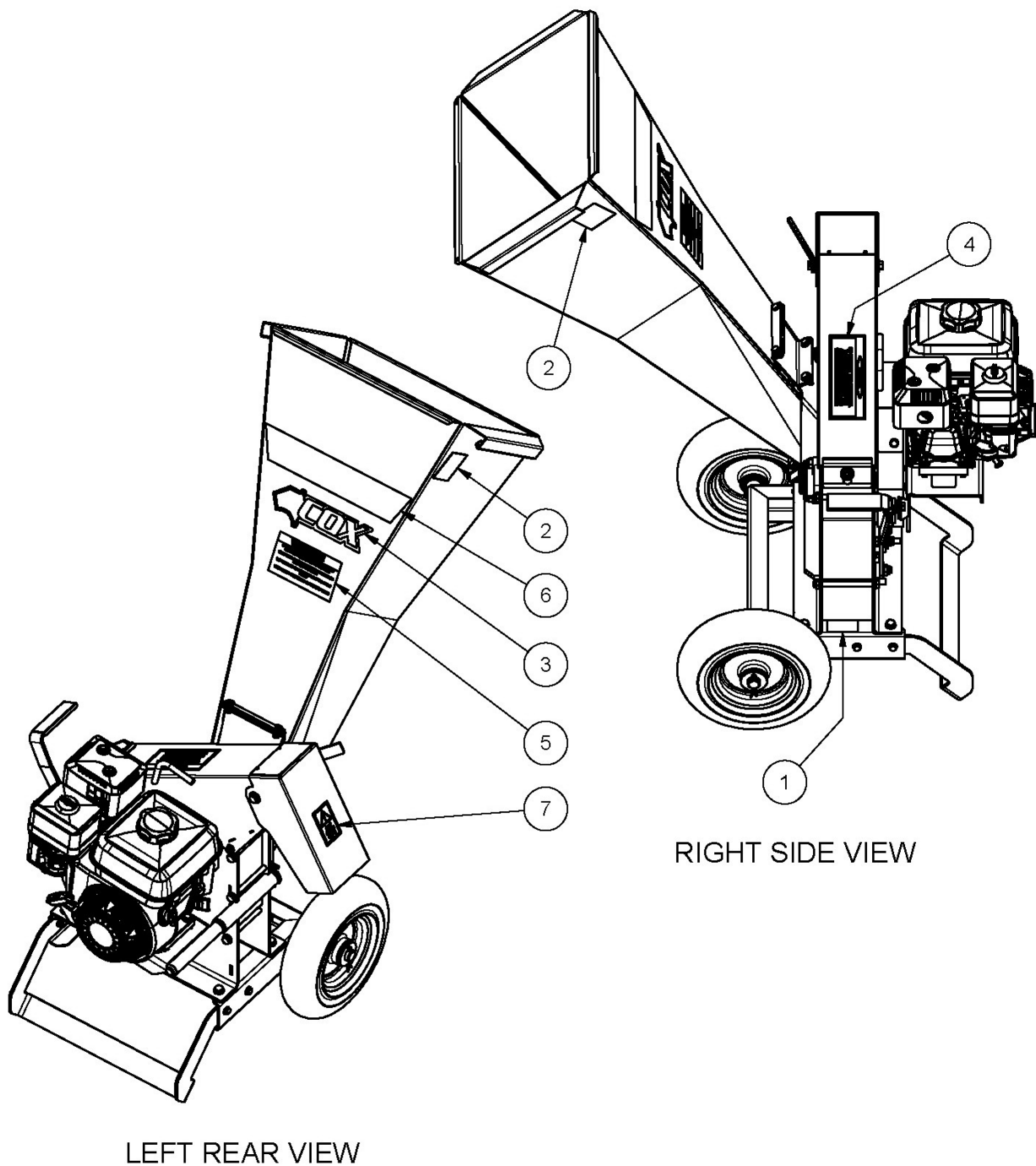
ITEM	PART NUMBER	DESCRIPTION	QTY
1	A174001R	Housing, Front, Red	1
2	A174106	Bush, Pivot, Base, Engine, Nylon	2
3	A174005	Shield, Bearing, Chopper	1
4	A174007H	Anvil, Hardened	1
5	A174107	Sleeve, 12.5id, 16od, L=12	2
6	NM12NT	Nut, Hex, Nyloc, Thin, M12, Pc6	2
7	CSSS08X30M	Screw, Csk, Hex Soc, M 8x 30, Pc10.9	3
8	NM8NT	Nut, Hex, Nyloc, Thin, M 8, Pc6	3
9	A174003R	Clamp, Anvil, Red	1
10	HBUOF205M	Housing, Bearing, Unit, Flange	1
11	BB25.4SA	Bearing, Ball	1
12	A174010	Sub-Assy, Rotor, Balanced	1
13	A174021R	Housing, Back, Red	1
14	A174107	Sleeve, 12.5id, 16od, L=12	2
15	B1240M	Bolt, Hex, M12 X 40, PC8.8	2
16	NM12NT	Nut, Hex, Nyloc, Thin, M12, Pc6	2
17	HBUOF207	Housing, Bearing, Unit, Flange	1
18	BB31.75SANG	Bearing, Ball	1
19	A174108Z	Retainer, Recessed, Bearing	1
20	B10130M	Bolt, Hex, M10x130, Pc8.8	6
21	CHSSM8X25	Screw, Cap, Hex Soc, M 8x 25	1
22	CPB205	Cover, Bearing, Pressed, Blind	1
23	NM10NT	Nut, Hex, Nyloc, Thin, M10, Pc6	10
24	SH1025M	Screw, Hex, M10 X 25, Pc 8.8	4
25	W10MN	Washer, Flat, Bright, M10x 21x1.6	16
26	WSM8X2X2	Washer, Lock, Spring, M 8x2 X2	1

MODEL A17415J: ROTOR COMPONENTS



ITEM	PART NUMBER	DESCRIPTION	QTY
1	A174014	Rotor	1
2	A174016	Spacer, Blade	2
3	KIT260	Pair, Blade+Bolt+Nut, SuperChipper	1
3.1	NM8NT	Nut, Hex, Nyloc, Thin, M 8, Pc6	6
3.2	CSSS08X30M	Screw, Csk, Hex Soc, M 8x 30, Pc10.9	6
3.3		Blade, Knife, Chipper	2

MODEL A17415J: DECALS



ITEM	PART NUMBER	DESCRIPTION	QTY
1		Label, Model+Code+Serial, Cox	1
2	DEC240	Decal, Proudly Australian, Red	2
3	DEC330	Decal, Cox, 250x 80, Red	1
4	DEC404	Decal, Danger, Chipper	1
5	DEC405	Decal, Warning, Chipper	1
6	DEC406	Decal, SuperChipper	1
7	DEC407	Decal, Keep Hands Clear, Chipper	1

COX INDUSTRIES WARRANTY POLICY

DEFINITIONS:

"Commercial Use" means all uses other than Domestic use, including any use that is income producing, rental, or is in relation to use in schools, by government departments or charity operators.

"COX INDUSTRIES" means Cox Industries (Australia) Pty Ltd ACN 050 991 038.

"Dealer" means an authorised COX INDUSTRIES dealer, a list of which can be found on our website: www.coxmowers.com.au or freecall us on 1800 330 444.

"Domestic Use" means use for a personal, residential or household (property) purpose.

"SuperChipper" means any SuperChipper manufactured by COX INDUSTRIES.

"Parts" means all parts that can be found in a SuperChipper excluding.

"Warranty Period" means:

- 1) for Domestic Use, a period of one (1) year; or
- 2) for Commercial Use, a period of six (6) months, from the original date of purchase.

NEW SUPERCHIPPER:

Our goods come with guarantees that cannot be excluded under the Australian Consumer Law. You are entitled to a replacement or refund for a major failure and compensation for any other reasonably foreseeable loss or damage. You are also entitled to have the goods repaired or replaced if the goods fail to be of acceptable quality and the failure does not amount to a major failure.

Nothing in this Warranty purports to modify or exclude the conditions, warranties and undertakings, and other legal rights, under the Australian Consumer Law. This Warranty gives you additional protection for your SuperChipper, and identifies a preferred approach to resolving warranty claims which will be quickest and simplest for all parties, subject to the exclusions, terms and conditions below.

WARRANTY PERIOD:

COX INDUSTRIES warrants in respect of each new SuperChipper sold that, subject to the exclusions below, for the Warranty Period COX INDUSTRIES or a Dealer will repair or replace free of charge any Parts found to be defective in materials or workmanship under normal use and operating conditions. Other than for major failure, it is at COX INDUSTRIES sole discretion as to whether the SuperChipper or Part is repaired or replaced.

PARTS INSTALLED DURING NEW SUPERCHIPPER WARRANTY PERIOD:

Warranty coverage for Parts installed during the new SuperChipper Warranty Period shall consist of the remainder of the new SuperChipper Warranty Period or ninety (90) days, which ever is greater, provided the installation is performed by a Dealer.

TO CLAIM THE WARRANTY:

To make a claim under this Warranty, please bring or send the SuperChipper to an authorised Dealer with a copy of your proof of purchase of the Garden Recycler. A claim under this Warranty is not formally made unless and until that proof of purchase is provided. This does not detract from your statutory rights.

WARRANTY REGISTRATION:

The warranty registration card must be completed by the Dealer with the customer at the time of purchase and returned to COX INDUSTRIES or an authorised Dealer within 14 days of the date of purchase.

This Warranty is transferable to a subsequent owner of a SuperChipper, in the event of the sale of that product, provided that COX INDUSTRIES is informed in writing within a reasonable time of the sale of the subsequent owner's name and contact details, such notice to be provided to COX INDUSTRIES. The notice should identify the name of the previous owner of the SuperChipper, place and date of purchase, model, make and serial number of the SuperChipper. The effective transfer of this Warranty does not otherwise alter the terms of this Warranty in any way.

WARRANTY EXCLUSIONS:

This Warranty does not cover:

- 1) the costs of rental of another machine or related equipment while repairs are in progress;
- 2) telephone, facsimile or other related communication expenses;
- 3) transportation and insurance charges during transportation of failed SuperChipper or any part thereof;
- 4) the labour, parts, mechanical adjustments or lubricant costs which, in the judgement of COX INDUSTRIES or their Dealer, should have been made as standard maintenance according to the COX INDUSTRIES maintenance schedule;
- 5) the replacement of or service costs relating to replacing and maintaining consumable parts which have ceased working through normal wear and tear such as, but not limited to, normal maintenance parts such as SuperChipper blades and bearings;
- 6) any damage or defect caused by alteration, modification, fitment of a non-genuine part or attachment not approved by COX INDUSTRIES or repair, modification or work carried out on the SuperChipper other than by a Dealer;
- 7) any defect caused by misuse, negligence, accidents or failure to carry out proper maintenance procedures;
- 8) damage caused by continued operation of the machine after it is known to be defective;
- 9) any other expenses incurred by the consumer in making the warranty claim;
- 10) damage caused by incorrect or improper operation (including racing or similar activities), maintenance or not following the Instructions or maintenance requirements of the Garden Recycler in accordance with the operation and maintenance manual provided with the SuperChipper;
- 11) damage caused by failure to clean or improper cleaning of the product;
- 12) damage caused by adverse external conditions such as thunderstorm activity, acts of God, acts of terrorism, damage caused by vermin, or any other act or circumstance beyond COX INDUSTRIES' control; or
- 13) damage caused by exposure to excessive heat, moisture or dampness, or exposure to abnormally corrosive conditions.

For the avoidance of any doubt, any and all warranties or conditions which are not guaranteed under the Australian Consumer Law or the Australian Competition and Consumer Regulations 2010 and which are not expressly included in this Warranty as additional warranties or conditions are excluded.

To the extent applicable by law, the manufacturer will not accept liability for costs of labour, postage, cartage or delivery to replace faulty materials or parts; or for any loss, damage or accident directly, indirectly, or consequentially suffered by the purchaser, operator or any other person or property as a result of such faults whether due to defective materials or workmanship or otherwise.

Due to COX Industries on-going commitment to product improvement, we reserve the right to change at any time, product specifications, configurations and company policies.

Cox Industries (Australia) Pty Ltd

**70 Landseer Street
Acacia Ridge Qld 4110
Australia**

PH 07 3323 2222 FAX 07 3344 6233

Web Site Address: www.coxmowers.com.au

Email: sales@cox-mowers.com.au