

# *Super Chipper*

**Model A17516C**

**CGR13B 13.5HP Briggs & Stratton**

**CGR13H 13HP Honda**

## **OWNER/OPERATORS MANUAL**

**READ THIS MANUAL BEFORE OPERATING SUPERCHIPPER  
DEATH, PERSONAL INJURY AND/OR PROPERTY DAMAGE MAY OCCUR UNLESS  
INSTRUCTIONS IN THIS MANUAL ARE FOLLOWED**

# OWNERS INFORMATION

**MACHINE MODEL NO:** \_\_\_\_\_

**SERIAL NO:** \_\_\_\_\_

Located on label

**HONDA ENGINE:**

**MODEL** \_\_\_\_\_ **TYPE** \_\_\_\_\_ **SERIAL NO.** \_\_\_\_\_

**BRIGGS & STRATTON ENGINE:**

**MODEL** \_\_\_\_\_ **TYPE** \_\_\_\_\_ **CODE** \_\_\_\_\_

**DATE OF PURCHASE:** \_\_\_\_\_

**OWNERS NAME:** \_\_\_\_\_

**ADDRESS:** \_\_\_\_\_

\_\_\_\_\_

**TOWN/CITY:** \_\_\_\_\_ **STATE:** \_\_\_\_\_

\_\_\_\_\_

**AUTHORISED COX DEALER/  
DISTRIBUTOR:** \_\_\_\_\_

**ADDRESS:** \_\_\_\_\_

\_\_\_\_\_

**TOWN/CITY:** \_\_\_\_\_ **STATE:** \_\_\_\_\_

\_\_\_\_\_

## PRE DELIVERY CHECK LIST

Check parts  Assemble  Service  Instruction

**ALWAYS KEEP THIS MANUAL IN A SAFE PLACE.**

# SAFE OPERATING INSTRUCTIONS

## WARNING

### THIS MACHINE IS CAPABLE OF INFLECTING SERIOUS INJURY OR DEATH IF OPERATED IMPROPERLY—READ ALL WARNING & CAUTION LABELS.

The careless or improper use of a machine of this type can be dangerous. The manufacturer or selling agent does not accept responsibility for accidents causing injury either to the operator, to the owner or to any person directly or indirectly or to property if such accident is caused by circumstances arising other than by the negligence or default of COX INDUSTRIES.

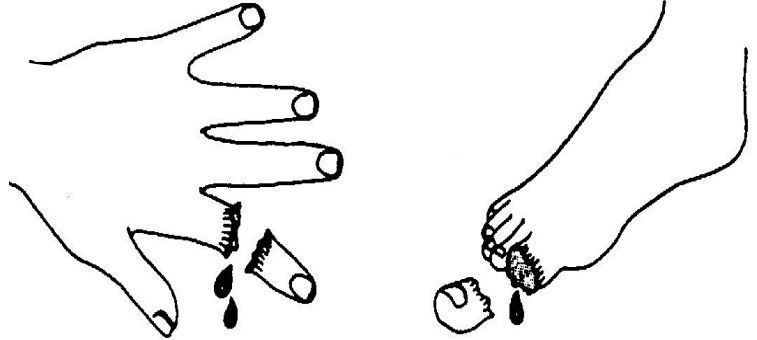
#### **DANGER !** Rotating cutting blades.

Keep hands out of inlet opening while machine is running.

#### **DANGER !** Rotating cutting blades.

Keep hands and feet out of discharge chute opening while machine is running.

#### **DANGER !** This machine can CRUSH, GRIND, CUT, and SEVER parts of your body if they enter the inlet hopper or discharge chute or come into contact with the rotating components of your SuperChipper.



#### **DANGER !** Thrown objects. Keep all parts of your body from entering the hopper inlet area, and the discharge chute deflector outlet area while the machine is running as objects ejected from the machine can cause serious injury.

#### **DANGER !** Flammable or explosive vapors, poison gasses, hot parts, and high noise levels

Internal combustion engine fuel may vaporize into flammable or explosive gasses which if ignited may cause severe injury. Internal combustion engines emit carbon monoxide gas which if concentrated in a confined space may cause serious injury or death.

Internal combustion engine components can reach high temperatures which may cause serious burns, Internal combustion engines and power driven machinery can produce high noise levels which may cause hearing damage.

**Caution!** Moving the SuperChipper, preparing the materials for processing, and feeding the materials into the SuperChipper may involve excessive effort for some people and therefore cause muscle injuries.



**SAFETY GOGGLES MUST BE WORN**



**Wear gloves**



**Safety matters**



**Wear ear protectors**



**SAFETY FOOT PROTECTION MUST BE WORN**

**WARNING: TO REDUCE THE POTENTIAL FOR ANY INJURY, COMPLY WITH THE FOLLOWING SAFETY INSTRUCTIONS. FAILURE TO COMPLY WITH THE INSTRUCTIONS MAY RESULT IN PERSONAL INJURY.**

### TRAINING AND PREPARATION

Read this owner's manual carefully in its entirety before attempting to assemble, maintain, repair or operate this machine. Become familiar with it for your own safety. Failure to do so may cause serious injury. Do not allow anyone to operate your Superchipper that has not read and understood this manual completely. Be completely familiar with the controls and the proper use of this machine before operating it. Keep this manual in a safe place for future and regular reference and for ordering replacement parts.

### INTENDED USE

Your SuperChipper is for processing by chipping plant prunings, branches, stalks, bark, roots, leaves, grass & hay, paper & cardboard, dry manure, vegetable & fruit scraps, dead branches & timber, according to the operating instructions.

It is designed for this use only and any other use may cause injury to persons or damage to the SuperChipper or other property.

### OPERATOR'S RESPONSIBILITY

**DO NOT allow children to operate your SuperChipper**, nor adults lacking the proper instructions. Keep children, pets, and bystanders a minimum of 6 metres away from your work area. Flying chips can be hazardous.

**DO NOT** run this machine in an enclosed area since the exhaust from the engine contains carbon monoxide, which is an odorless, tasteless and deadly poisonous gas.

**DO NOT** run this machine on cement or bitumen. This machine should be operated **ONLY** on a level earthen surface. **DO NOT** put your hands, feet, face, or any other part of your body in the feed hopper or discharge area. **DO NOT** remove the rubber inlet deflector attached to the hopper. This device helps prevent bounce-back and must be intact at all times. This is a protective guard.

**DO NOT** operate your SuperChipper while under the influence of alcohol, drugs, or medication. A clear mind is essential for safety. **DO NOT** allow a person who is tired or otherwise not alert to operate this machine.

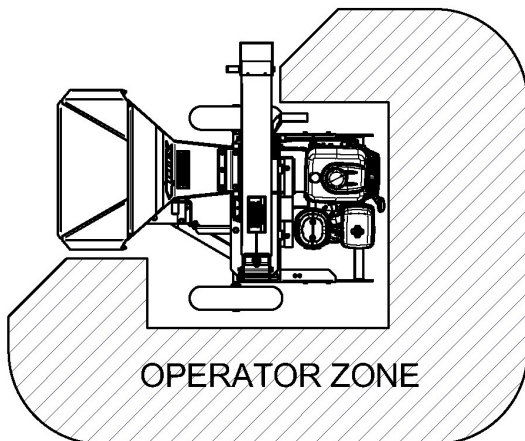
## SAFETY WEAR

DO NOT wear loose clothing or jewellery that can be caught by moving parts of your SuperChipper and pull you into it. Keep all clothing away from moving parts. Wear adequate headgear to keep hair away from moving parts. Always wear safety glasses and work gloves at all times while operating your SuperChipper. A chip could fly out and hit you in the eye. Be sure your glasses fit properly and your gloves do not have loose cuffs or draw strings.

Always wear ear protection at all times while operating your SuperChipper. The noise of this machine could result in hearing loss.

## OPERATING PROCEDURE

Only operate your SuperChipper from the operator zone.



Know how to turn the unit off. DO NOT clear discharge area while unit is running. Disconnect spark plug lead before attempting to clear any discharge area.

DO NOT clear discharge area with hands, feet, or any other part of your body. After SuperChipper is stopped and spark plug lead is disconnected, then use a long handle tool to clear discharge area.

DO NOT move your SuperChipper or leave it unattended with the engine running.

## OPERATE IN SAFE ENVIRONMENT

**DO NOT operate your SuperChipper on slippery, wet, muddy, or icy surfaces. Safe footing is essential in preventing accidents.**

Only operate on level ground. If level ground is impossible to find, be sure the inclination from horizontal of the engine when running is not more than 15 degrees to assure proper engine lubrication.

DO NOT operate your SuperChipper on inclines over 10 degrees as it could become unstable and tip over.

Keep operator zone clean and clear of debris so that you don't stumble or trip over it, or become entangled with debris.

**HANDLE PETROL WITH CARE** as it is an extremely flammable fuel. Check the fuel before starting the engine. Do not fill the fuel tank indoors, while the engine is running, or while the engine is still hot. Turn the unit off and let the engine cool before refueling. Wipe the fuel cap and top of fuel tank area before removing fuel cap to prevent dirt entering tank.

Fuel your SuperChipper in a clean area to avoid getting dirt in petrol tank. Do not smoke while refueling. Fuel tank cap must be secure at all times except during refueling. Avoid spilling petrol or oil. Wipe the unit clean of any spilled fuel or oil. Store fuel and oil in approved containers, away from heat

or open flame, and out of reach of children.

## REPAIR AND MAINTENANCE SAFETY

DO NOT operate your SuperChipper in poor mechanical condition or when in need of repair. Periodically check that all nuts, bolts, screws, are tightened to specifications. Be sure all safety guards and shields are in the proper position. These safety devices are for your protection. Don't service or repair your SuperChipper without removing the spark plug wire.

Replace old, damaged or worn parts such as bolts or guards immediately. Follow the Cox Maintenance Schedule & the engine owner's manual for engine maintenance and repair. If it is necessary, for any reason, to inspect or repair the hopper or any part of the machine where a moving part can come in contact with your body or clothing, stop the machine, allow it to cool, disconnect the spark plug wire from the spark plug and move it away from the spark plug before attempting such inspection or repair.

## OPERATION

Whenever you operate your SuperChipper, wearing gloves and safety glasses is required. If it is necessary to push material into the inlet hopper, use a wooden stick, DO NOT use hands or a steel implement. At the end of this section there are additional cautions. Read and observe them.

The operation of any SuperChipper can result in foreign objects being thrown into the eyes, which can result in severe eye damage. Always wear safety glasses, or eye/face shields during operation of your SuperChipper or, while performing any adjustments or repairs.

Branches are fed into the inlet hopper for chipping, up to 90mm in diameter or several together if of smaller diameter. Since the throat opening is 145mm high and 175mm wide, some side shoots or side branches may have to be trimmed from the main stalk before chipping. Short stubs of branches may be pushed through the chipper section with the next branch. DO NOT assume you know where the blade is and try to push short branches in by hand. You don't know where it is. Be safe, keep your hands away from the chipping blades.

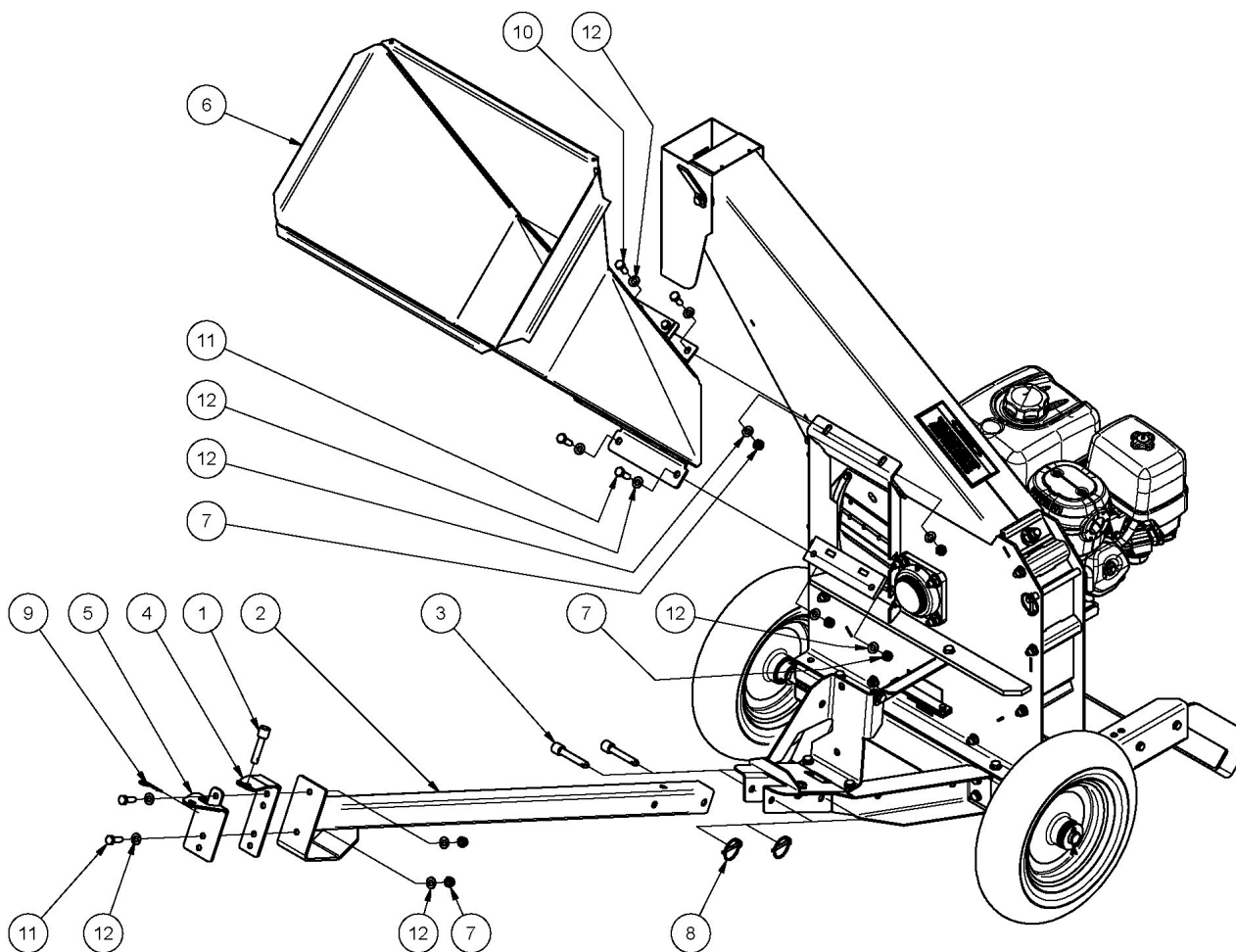
- (1) When feeding material into this equipment, be careful that pieces of metal, glass, rocks, bones, cans or other non-organic or foreign objects are not included. Do not feed in root balls as they usually have soil, sand, grit, stones or other hard or abrasive materials attached which will damage or blunt the blades and or other components.
- (2) When chipping newspaper only feed 3 to 4 sheets at a time. Putting entire sections in could damage the rotor.
- (3) Do not allow an accumulation of processed material to build up under the discharge of the SuperChipper as this can prevent following chipped material from discharging and will result in clogging. Use a long handled stick or spade to remove processed material build-up. **DO NOT USE YOUR HAND OR FOOT.** Always shut the unit off before clearing build-up.
- (4) DO NOT allow your hands or any part of your body or clothing inside the feed hopper or discharge area of the SuperChipper. Use a wooden stick to push material down the hopper.
- (5) Keep all protective guards on the machine in place and in good working condition.
- (6) Always stand clear of the discharge area when the SuperChipper is running.

**OPERATION continued**

- (7) Keep your face and body away from the feed hopper to avoid being struck by any material that may bounce back. Do not over-reach, keep proper balance and footing.
- (8) Do not transport the SuperChipper while the engine is running.
- (9) Do not refuel the engine while it is hot, warm, or running.
- (10) Do not cover the machine while the muffler is still hot.
- (11) The engine must be kept clear of debris and other accumulations.

**WARNING !** : This unit is equipped with an internal combustion engine and should not be used on or near any unimproved forest-covered, brush-covered or grass-covered land unless the engine's exhaust system is equipped with a spark arrester meeting applicable local or state laws (if any). If a spark arrester is used, it should be maintained in an effective working order by the operator. A spark arrester for the muffler is available through your servicing dealer.

CGR13H - A17516C - PRE-DELIVERY



ITEM	PART NUMBER	DESCRIPTION	QTY
1	A174116Z	Pin, Towbar	1
2	A175112R	Drawbar	1
3	A175116Z	Pin, Clevis, 12x70	2
4	A175125R	Bracket, Top, Pin, Hitch	1
5	A175127R	Bracket, Bottom, Pin, Hitch	1
6	A175230	Sub-Assy, Hopper, Inlet	1
7	NM10NT	Nut, Hex, Nyloc, Thin, M10, Pc6	6
8	PL04	Pin, Lynch	3
9	RP03	Pin, 'R', Steel, 2.0 X 50	1
10	SH1025M	Screw, Hex, M10 X 25, Pc 8.8	2
11	SH1030M10.9	Screw, Hex, M10x 30, Pc10.9	4
12	W10MN	Washer, Flat, Bright, M10x 21x1.6	12

## WARNING

**IF PETROL IS ACCIDENTLY SPILLED, MOVE THE SUPERCHIPPER AWAY FROM THE SPILL AREA, AVOID CREATING ANY SOURCE OF IGNITION UNTIL PETROL VAPORS HAVE DISAPPEARED.**

### BEFORE STARTING:

**FILL FUEL TANK WITH UNLEADED FUEL AND CHECK ENGINE OIL LEVEL/TOP UP IF NECESSARY. Refer to engine operator's manual for correct oil specification and oil level checking procedure.**

**NOTE: BE VERY CAREFUL NOT TO ALLOW DIRT TO ENTER THE ENGINE WHEN CHECKING OR ADDING OIL OR FUEL. USE CLEAN OIL AND FUEL. ALWAYS STORE IN APPROVED, CLEAN, CONTAINERS.**

**CAUTION:** To avoid engine problems, the fuel system should be empty before storage for 30 days or longer.

DO NOT use engine or carburetor cleaner products in the fuel tank or permanent damage may result.

### TO START ENGINE

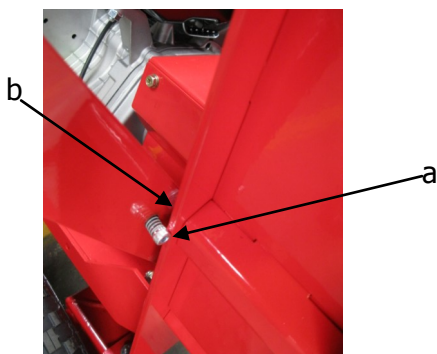
#### WARNING!:

**BE SURE NO ONE, OTHER THAN THE OPERATOR IS STANDING NEAR THE SUPERCHIPPER WHILE STARTING OR OPERATING. DO NOT OPERATE THIS SUPERCHIPPER UNLESS THE DISCHARGE DEFLECTOR HAS BEEN PROPERLY INSTALLED AND IS SECURED. REFER TO ENGINE OPERATOR'S MANUAL FOR CORRECT STARTING PROCEEDURE.**

### HOW TO USE YOUR SUPERCHIPPER

#### To Start.

Disengage the drive belts by pulling engagement lever fully down until locking pin (a) protrudes past the face of the housing (b).



Start engine as per engine operator's manual and set to full speed.

#### Rotor engagement.

Pull the disengagement knob out then slowly pull up the engagement lever to engage drive belts. The belt will slip initially until rotor speed has built up. If the lever is pulled up too quickly the engine will stall. Lock the lever in the up position and proceed with chipping.

Leaves and small branches can be fed into the inlet hopper.

#### To Stop SuperChipper.

When finished set the engine to idle and disengage the lever by pulling out until locking pin (a) protrudes past the face of the housing (b) and then switch the engine off. The rotor can take three to four minutes to stop spinning. Do not remove any covers during this time.

#### Emergency Stop Only.

Engage stop switch on engine.

**Always disconnect spark plug lead and move the lead away from spark plug to prevent accidental starting while equipment is unattended.**

#### USAGE GUIDELINES

Follow these guidelines to ensure you get the best performance from your SuperChipper and minimize the risk of injury and prevent premature machine failure.

1. The SuperChipper is self-feeding and has a large inlet, therefore it can be easily stalled due to overloading of inlet hopper. Feed branches and material slowly and carefully into the chipper and mix short pieces in with longer ones. As you use the chipper you will become familiar with its capabilities and be able to vary the feed rate according to material type.
2. Feed limbs and branches through butt end first, leaving the bushy head on. This helps guide the limb down the inlet hopper, reduces spinning and the occurrence of ejection of small pieces back up the inlet hopper.
3. Paper and cardboard will process better if lightly moistened and rolled into a log shape.
4. Hay can be chaffed (break bales down before feeding into chipper).
5. Grass clippings, bark and dry manure can also be processed. Use the chipper to mix these in with other materials if desired.
6. Prior to starting the chipper, trim any side branches which may catch on the sides of the inlet hopper.
7. Avoid feeding short, stubby pieces of dead wood into the chipper, as they tend to bounce and spin in the inlet hopper.
8. During operation, where required, use a wooden stick (approx 30mm diameter by 600mm long) to assist with feeding short, brushy and very leafy material and to keep inlet hopper clear.
9. It is best to process freshly cut materials; wooden branches become very hard and springy when dried out making them more awkward to handle and they will quickly blunt the blades.
10. Soft, wet or fibrous materials can clog up the chipper. To avoid clogging, alternate the feeding of soft, wet materials with dryer branches as the woodchips assist to clean out the machine.
11. Chipping timber through the machine can clean out any residue left in the machine.
12. As the discharged material piles up, either move the chipper or the processed material to keep the outlet free.
13. **DO NOT** position the discharge deflector vertically as this will affect airflow, impede discharge and blocking will occur.
14. If any stringy material becomes wrapped around the rotor shaft, remove it before it works itself into the bearing. Anti wrapping lugs either side of the shaft have now practically eliminated this problem. However, keep the lugs clear of this material.

## WARNING

**THE SUPERCHIPPER DISCHARGES MATERIALS WITH CONSIDERABLE VELOCITY, KEEP AWAY FROM THE AREA NEAR THE DISCHARGE DEFLECTOR.**

**WEAR SAFETY GLASSES, GLOVES, EAR & FOOT PROTECTION WHENEVER USING YOUR SUPERCHIPPER. DO NOT DEPOSIT MATERIAL LARGER THAN 90mm DIAMETER IN THE INLET HOPPER. DAMAGE TO THE FRONT HOUSING, ROTOR AND CRANKSHAFT MAY RESULT IF MATERIAL LARGER THAN 90mm IS FED INTO THE HOPPER.**



# MAINTENANCE

If the cutting mechanism strikes any foreign object or if your machine should start making an unusual noise or vibrating, stop the engine, disconnect spark plug wire from the spark plug. Allow time for the cutter disc to stop and the engine to cool before:

- (a) Inspect for obvious damage.
- (b) Check for loose parts and tighten to assure continued safe operation.
- (c) Replace or repair any damaged parts.

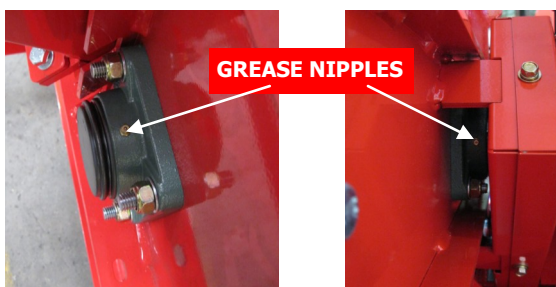
The engine governor setting on your machine must not be altered, changed or tampered with. The governor controls the maximum safe operating speed and protects the engine and all moving parts from damage caused by over-speed.

Do not operate engine if air cleaner or cover directly over carburetor air intake is removed, except for adjustment. Removal of such parts could create a fire hazard. Do not use flammable solutions to clean the air filter.

## LUBRICATION ENGINE

Check engine oil level regularly—WHILE THE UNIT IS IN THE UPRIGHT POSITION (Wheels and foot on level ground & SuperChipper engaged). Check the oil every five hours of operation and before each usage. Stop engine and wait several minutes before checking oil level. Refer to the engine 'Operators Manual' for correct oil level. Change oil after the first two hours of operation and every 50 hours thereafter. Refer to the engine operator's manual enclosed with this unit for additional information on your engine.

**BEARINGS** - Grease bearings as per schedule.



## ENGINE SPEED

Your engine speed has been factory set. Do not attempt to increase engine speed, or it may result in personal injury. If you believe the engine is running too fast or too slow, take your SuperChipper to your servicing Cox dealer.

## TYRE PRESSURE

Approx 205Kpa (30PSI). Low pressure can cause the machine to be unstable.

## CLEANING

Clean chipper often to maintain in good condition. Before cleaning allow engine to cool. Open discharge chute and remove cleanout access cover. Hose chipper inside and out. Ensure all water has drained from drainage hole and hole is clear of obstructions. Dry chipper thoroughly and apply spray lubricant to chipper disc. Re-fit all covers.

**DO NOT OPEN THIS COVER UNLESS THE ENGINE AND CUTTER DISC ARE COMPLETELY STOPPED AND THE BELT DRIVE IS DISENGAGED**



Drainage hole

## STORAGE

DO NOT store your SuperChipper indoors in an enclosed, poorly ventilated area if petrol remains in the tank. Fumes may accumulate and reach an open flame, spark or pilot light from a furnace, water heater, clothes dryer, cigarette, etc.

When not in use, your SuperChipper should be stored out of reach of children with the spark plug wire removed. For long periods of storage (over 30 days) fuel should be drained from the fuel tank. Always allow the engine to cool before storing or covering.

**WARNING! DO NOT PLACE SUPERCHIPPER IN ANY POSITION OTHER THAN UPRIGHT (ON WHEELS AND FOOT) AS ENGINE CAN BE DAMAGED.**

## VEE BELT ADJUSTMENT & REPLACEMENT

### TO ADJUST DRIVE BELTS

With the SuperChipper stopped and spark plug wire disconnected from the spark plug. Allow the engine to cool down then remove engine drive access cover. Lift the drive belt lever up as far as it will go to engage the belts and check the tension. There should be approx 5mm of deflection, at the middle of span, when the belts are pushed with fingers.

Adjust the belt tension using the two adjusting nuts on the treaded rod connected to the drive belt lever. Once adjusted tighten the nuts to lock in place and

refit the drive belt cover.

### TO REPLACE VEE BELTS

Remove the engine drive access cover and outer drive access covers to enable access and clearance for belt removal. Disengage the drive belts by pushing the drive belt lever down then remove the belts from the SuperChipper.

Install new belts and adjust. Re-fit the engine drive access cover and outer drive access covers.



## BLADE REPLACEMENT & ANVIL ADJUSTMENT

### BLADE REPLACEMENT

Open the discharge chute and slide out blade access cover. Remove the inlet hopper by removing the four screws & nuts securing the hopper. Rotate the disc until the blades are accessible through the top of the housing. Fit the rotor locking pin to secure the disc and prevent movement during removal and installation of blades.

Remove the blade screws, blades and blade clamps. Undamaged blunt blades can be re-sharpened. For best results have blades sharpened by a saw doctor in pairs to maintain balance. Replace damaged or worn out blades with new blades only in pairs with new screws to maintain correct balance of rotor. Blades are very sharp and can cause serious injury if handled carelessly.

To install new blades position them into their mounting area on the rotor with their back against the adjusting screw, fit blade clamps and five screws. Tighten the screws sufficiently to hold blades in place during adjustment. First adjust the blades with the adjusting screws to achieve a clearance of 8mm to 9mm from the face of the disc. Carefully and slowly rotate the disc and check that the gap between the blades and the anvil is between 1mm - 2mm. After sharpening the blade width will be reduced and the gap between blades and anvil may require adjusting. Adjust the blades in or out using the two adjusting screws until the clearance between the blades and the anvil is between 1mm - 2mm. Tighten blade retaining screws and adjusting screw locknuts one blade at a time. Re-tighten all blade retaining screws. Carefully and slowly rotate the disc by hand ensuring it turns freely, then re-check clearances re-adjusting if required.

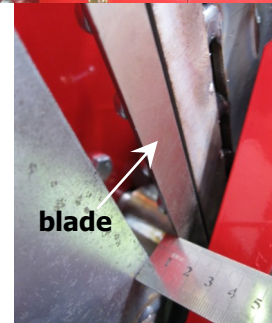
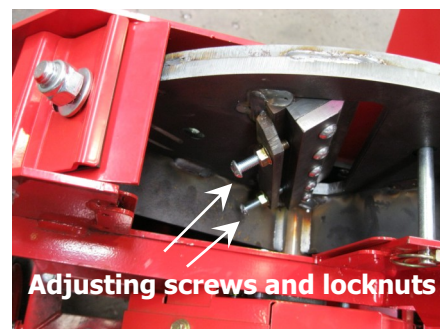
Re-fit hopper and access panel, close and secure discharge chute.

### ANVIL ADJUSTMENT

The anvil is case hardened and reversible. Under normal operating conditions the edges will last a long time however, if they do become rounded, they must be replaced. Maintaining a straight sharp square edge on the anvil is essential to the safe and efficient operation of the chipper.

The clearance between the blades and the anvil should be between 1 - 2mm for efficient operation of the chipper. Insufficient clearance may result in damage to the blades and anvil as they may come into contact during operation. Excessive clearance will result in fibrous materials being dragged through the machine rather than chipped, and reduce the chippers ability to self feed. To adjust the clearance, proceed as follows:-

1. Loosen the nyloc nuts and screws holding the anvil enough to allow the anvil to move with slight force.
2. Rotate the cutting disc to align each blade in turn against the anvil and slide the anvil in or out to achieve a clearance between 1 - 2mm using feeler gauges.
3. Once the clearance has been set, tighten the nyloc nuts and recheck the clearance.





# MAINTENANCE SCHEDULE

## BEFORE EACH USE

Check engine oil level, adjust if required  
 Check engine air cleaner foam pre-cleaner, service if required\*  
 Check engine rotating screen/finger guard, clean if required\*

Check tyre pressures, adjust if required  
 Check for loose fasteners, tighten if required  
 Check housings and guards for wear or damage, replace if required

**BEFORE STORAGE** Change engine oil - Empty fuel - Clean machine - Lubricate as per maintenance instructions

**AFTER FIRST 2 HOURS** Check for loose fasteners, tighten if required - change engine oil

## EVERY 5 HOURS

Check engine oil level, adjust if required  
 Check engine air cleaner foam pre-cleaner, service if req.  
 Check engine rotating screen/finger guard, clean if required  
 Check for loose fasteners, tighten if required

Check housings and guards for wear or damage, replace if required  
 Check tyre pressures, adjust if required

## EVERY 20 HOURS

Change engine oil if operating under heavy load or high ambient temperature  
 Check engine air cleaner foam pre-cleaner, service or replace if required \*  
 Check engine rotating screen/finger guard, clean if required \*  
 Check tyre condition & pressures, adjust or replace if required  
 Check housings and guards for wear or damage, replace if required  
 Check for loose fasteners, tighten if required  
 Check belts for wear or damage, adjust or replace if required

Lubricate bearings as required  
 Lubricate rotor using spray lubricant  
 Check chipper blades and anvil condition & clearance, service or replace if required  
 Check engine spark plug, clean, adjust, or replace if required

**EVERY 50 HOURS** Change engine oil\*

\*Service more often under heavy use or high ambient temperatures or where air borne debris is present

# TROUBLE SHOOTING

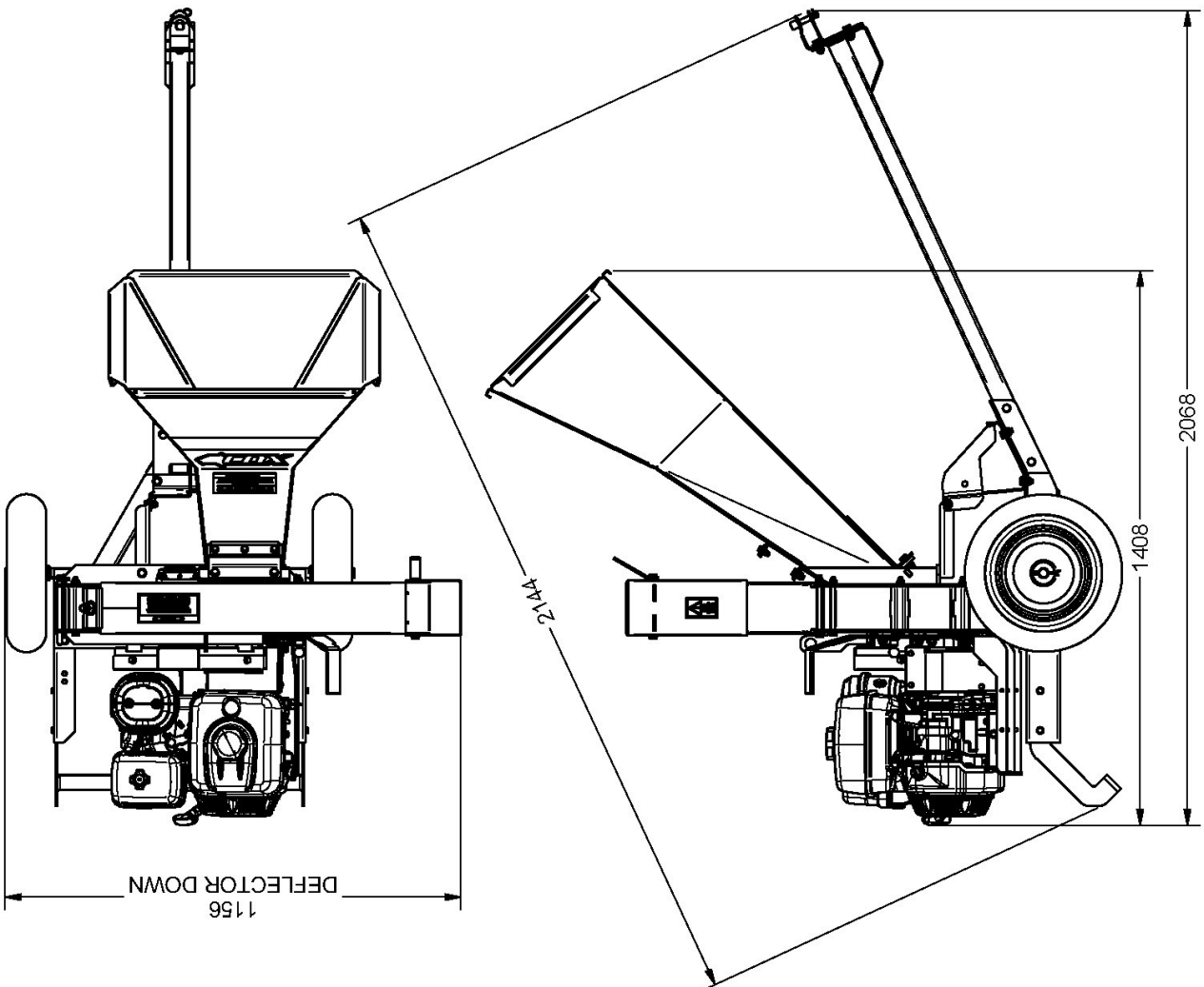
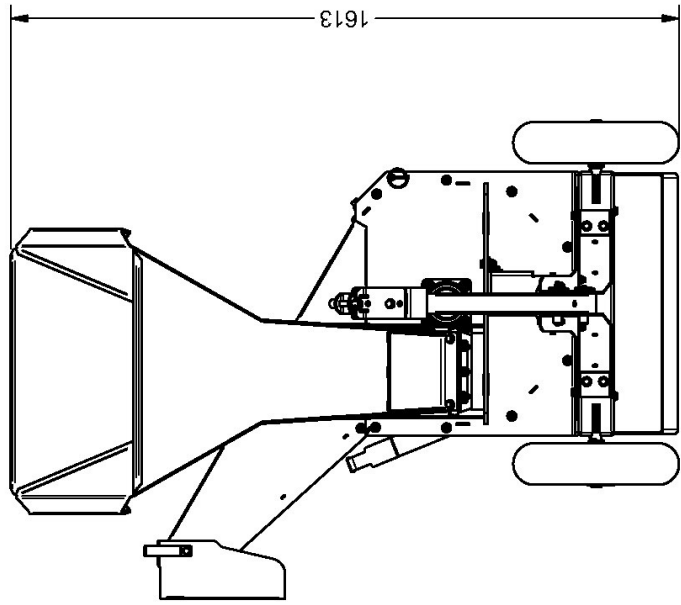
PROBLEM	POSSIBLE CAUSE(S)	CORRECTIVE ACTION
Engine fails to start	<ol style="list-style-type: none"> <li>1. Fuel tank empty, or stale fuel.</li> <li>2. Fuel valve control not in on position.</li> <li>3. Stop control not in on position.</li> <li>4. Spark plug wire disconnected.</li> <li>5. Faulty spark plug.</li> </ol>	<ol style="list-style-type: none"> <li>1. Fill tank with clean, fresh fuel.</li> <li>2. Move fuel valve control to on position.</li> <li>3. Move stop control to on position.</li> <li>4. Connect wire to spark plug.</li> <li>5. Clean, adjust gap or replace spark plug.</li> </ol>
Loss of power erratic	<ol style="list-style-type: none"> <li>1. Spark plug wire loose.</li> <li>2. Blocked fuel line or stale fuel.</li> <li>3. Water or dirt in fuel system.</li> <li>4. Dirty air cleaner.</li> <li>5. Choke control on.</li> </ol>	<ol style="list-style-type: none"> <li>1. Connect and tighten spark plug operation wire.</li> <li>2. Clean fuel line; fill tank with clean fuel.</li> <li>3. Drain fuel tank, fuel line &amp; carburetor. Refill with fresh fuel.</li> <li>4. Clean or replace air filter.</li> <li>5. Move choke control to off/run position.</li> </ol>
Engine overheats	<ol style="list-style-type: none"> <li>1. Carburetor not functioning properly.</li> <li>2. Engine oil level low.</li> </ol>	<ol style="list-style-type: none"> <li>1. Have unit serviced at your Cox dealer.</li> <li>2. Fill crankcase with proper oil.</li> </ol>
Too much vibration	Loose parts or damaged assembly.	Stop engine immediately and disconnect spark plug wire. Tighten all bolts and nuts. Make all necessary repairs. If vibration continues, have unit serviced by your Cox Dealer
Rotor slows down	Overfeeding material into hopper	Reduce feed in quantity
No drive to rotor	Belts out of adjustment or damaged	Check belts for wear or damage, adjust or replace as required
Material not pulling through properly	Blunt or damaged blades and anvil	Check chipper blades and anvil condition & clearance service or replace as required

## WARNING!:

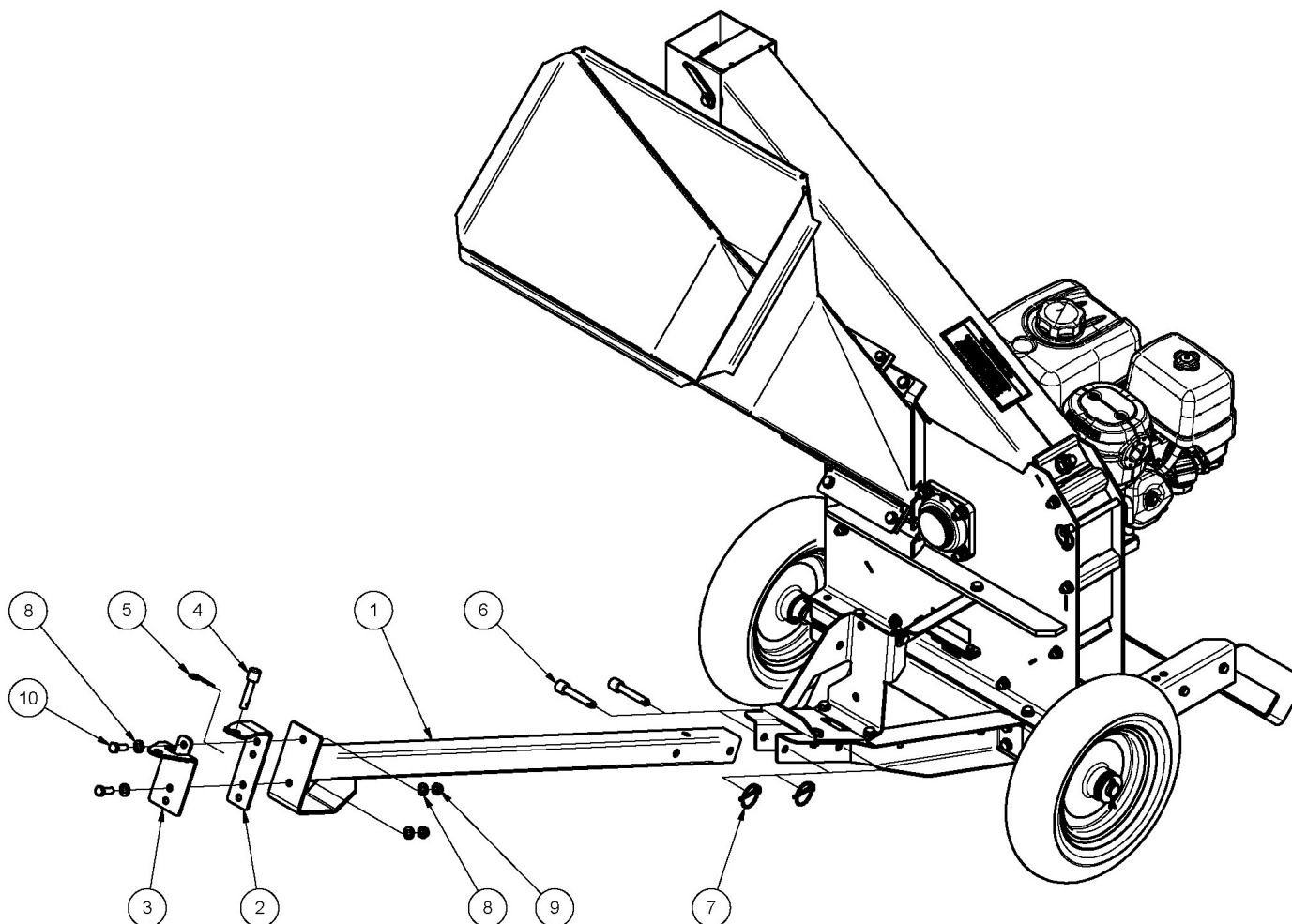
For repairs beyond the minor adjustments listed above, please contact your Cox Servicing Dealer.  
**Ensure spark plug lead is disconnected from spark plug, before performing repairs and or maintenance on this machine.**

# Specifications

<b>Dimensions, Mass, Capacity</b>	
Length Max	2144 mm
Width Min Deflector Down	1156mm
Height	1613 mm
Dry Mass	206 kg
<b>Engine Design &amp; Performance</b>	
<b>Model</b>	<b>Briggs &amp; Stratton (25T232 0072H1)</b>
	Type:- Petrol, 4 Stroke, Air Cooled, 25.4mm [1"] Horizontal PTO Shaft, Fuel Tank, Recoil Start
Cylinder Configuration	Cast Iron Sleeve Single
Displacement	420cm <sup>3</sup>
Valve Type	Overhead
Rated Engine Speed (No Load) Maximum	3600RPM
Idle	1800RPM
Fuel Tank Capacity	6.6 Litre
Engine oil Capacity	1.1 Litre
Dry Mass	31kgs
<b>Model</b>	<b>Honda (GX390 UT2 QXUZ)</b>
	Type:- Petrol, 4 Stroke, Air Cooled, 25.4mm [1"] Horizontal PTO Shaft, Fuel Tank, Recoil Start
Cylinder Configuration	Cast Iron Sleeve Single
Displacement	389cm <sup>3</sup>
Valve Type	Overhead
Rated Engine Speed (No Load) Maximum	3600RPM
Idle	1400RPM
Fuel Tank Capacity	6.1 Litre
Engine oil Capacity	1.1 Litre
Dry Mass	31kgs
<b>Machine Design and Performance</b>	
Type:- Engine PTO Shaft driving disengageable twin V Belt driven rotor with 2 greaseable unit ball bearing mounts	2 Bolted Chipper Knife Blades & adjustable hardened Anvil
Capacity:- Inlet Hopper	90mm [3-1/2"] diameter
Mass Inlet Hopper	25kgs
<b>Maintenance</b>	
Fuel	Unleaded or E10 Unleaded
Oil	Refer engine manual
Tyre Pressure	205Kpa (30PSI)
Chipper Knife Blade Kit Cox Part No. (Tighten Screws to 32 N.m of torque)	A175018



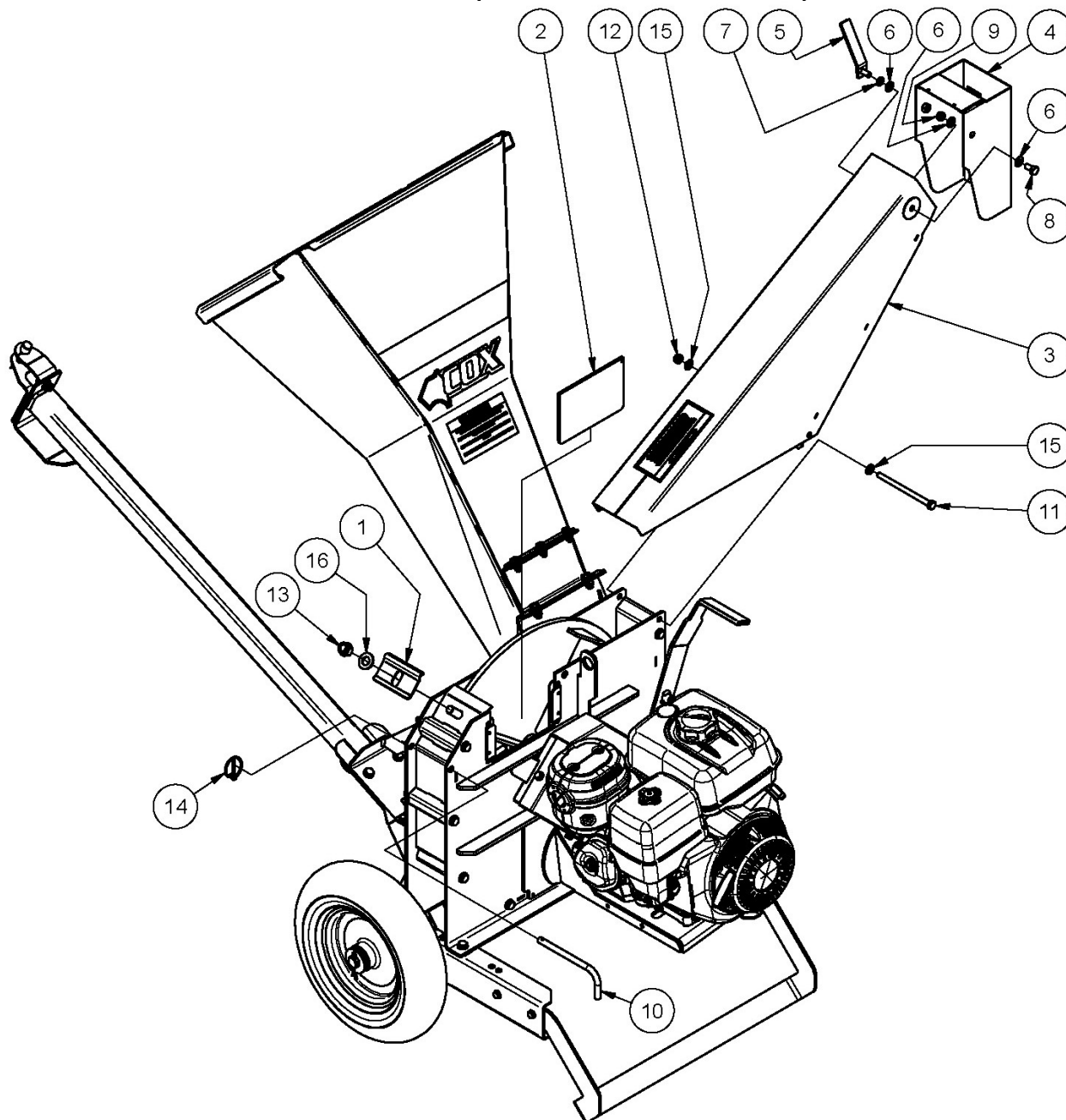
## MODEL NO: A17516C DRAWBAR



ITEM	PART NUMBER	DESCRIPTION	QTY
1	A175112R	Drawbar,50x50x1200,Red	1
2	A175125R	Bracket,Top,Pin,Hitch,Red	1
3	A175127R	Bracket,Bottom,Pin,Hitch,Red	1
4	A174116Z	Pin, Towbar	1
5	RP03	Pin,'R'	1
6	A175116Z	Pin,Clevis	2
7	PL04	Pin,Lynch	2
8	W10MN	Washer,Flat,Bright,M10x 21x1.6	4
9	NM10NT	Nut,Hex,Nyloc,Thin,M10,Pc6	2
10	SH1030M10.9	Screw,Hex,M10x 30,Pc10.9	2

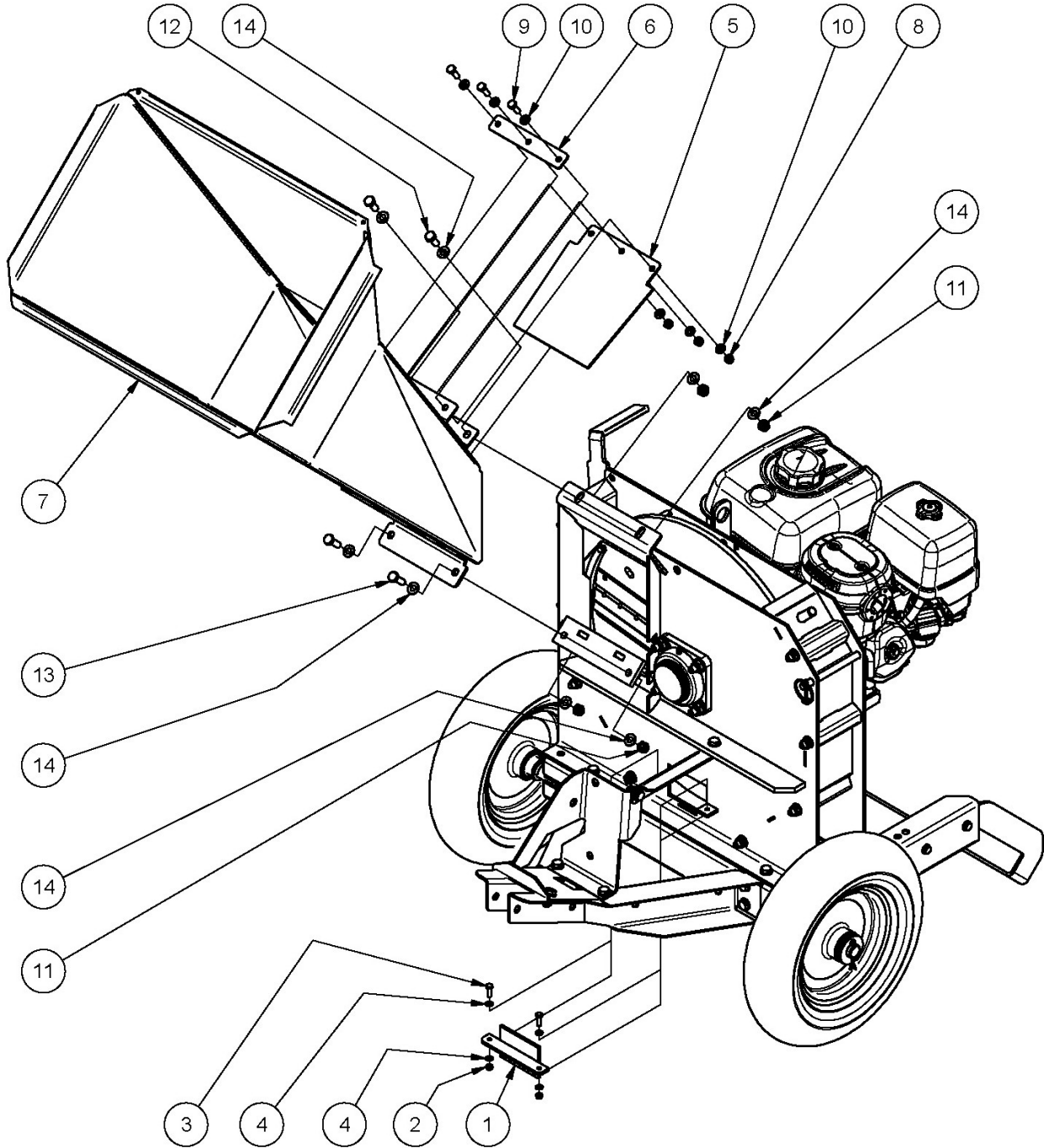


**MODEL NO: A17516C DISCHARGE CHUTE, BLADE ACCESS COVER, ROTOR LOCK PIN**



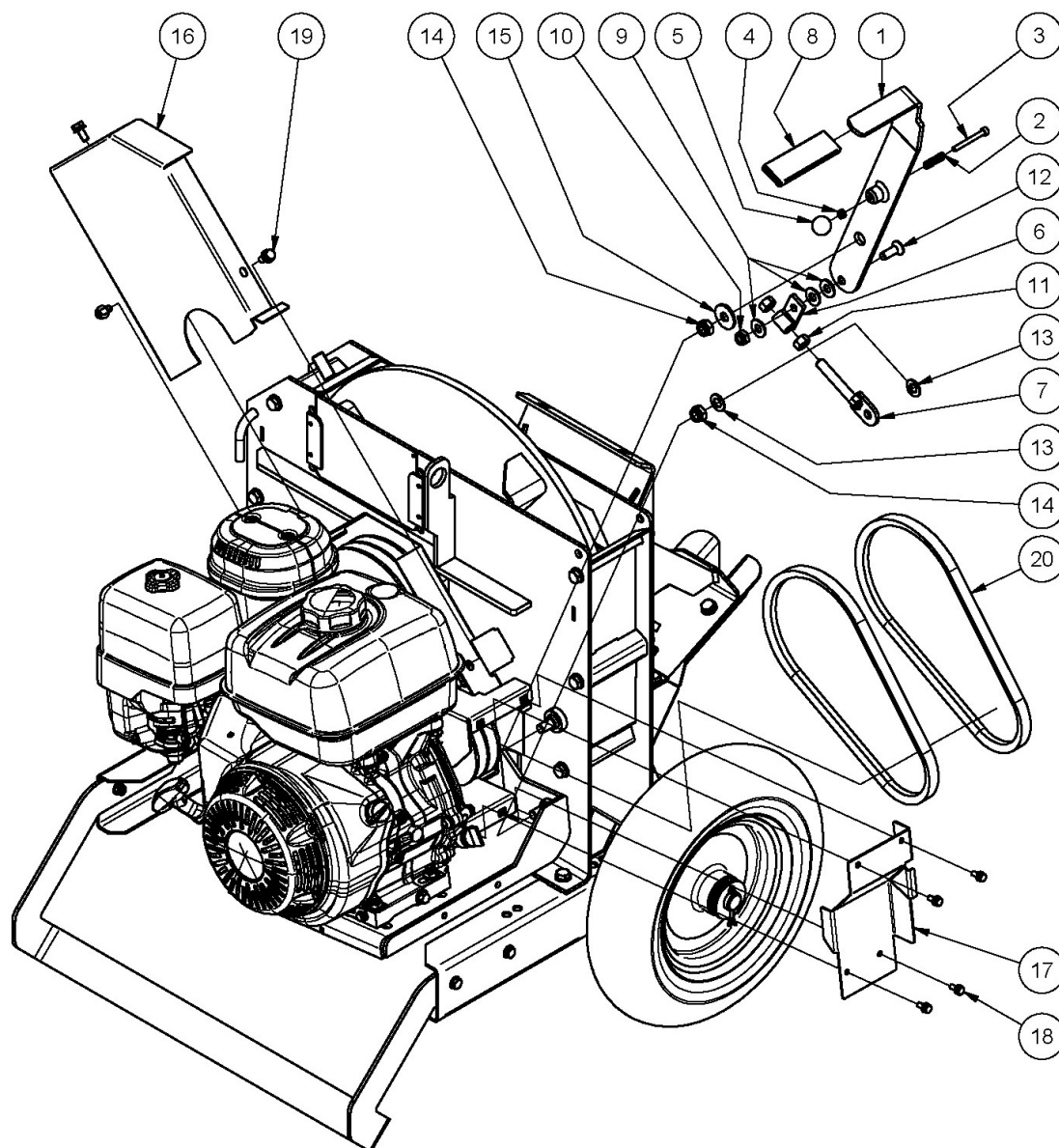
ITEM	PART NUMBER	DESCRIPTION	QTY
1	A174091R	Hold Down, Cover, Rotor	1
2	A175025R	Cover, Access, Blade	1
3	A175071R	Chute, Discharge	1
4	A175073R	Deflector, Discharge	1
5	A174075R	Lever, Clamp	1
6	W10MN	Washer, Flat, Bright, M10x 21x1.6	3
7	WS103.52.2	Washer, Lock, Spring, M10x3.5x2.2	1
8	SH1020M	Screw, Hex, M10 X 20, Pc8.8	1
9	NHCM10	Nut, Hex, Conelok, M10, Pc8	1
10	A175110Z	Pin, Lock, Rotor	1
11	B10150M	Bolt, Hex, M10x150, Pc8.8	1
12	NM10NT	Nut, Hex, Nyloc, Thin, M10, Pc6	1
13	NM16N	Nut, Hex, Nyloc, M16, Pc8	1
14	PL04	Pin, Lynch	1
15	W10MN	Washer, Flat, Bright, M10x 21x1.6	2
16	W112103	Washer, Flat, Black, 18x34x3	1

**MODEL NO: A17516C INLET HOPPER, CLEANOUT ACCESS COVER**



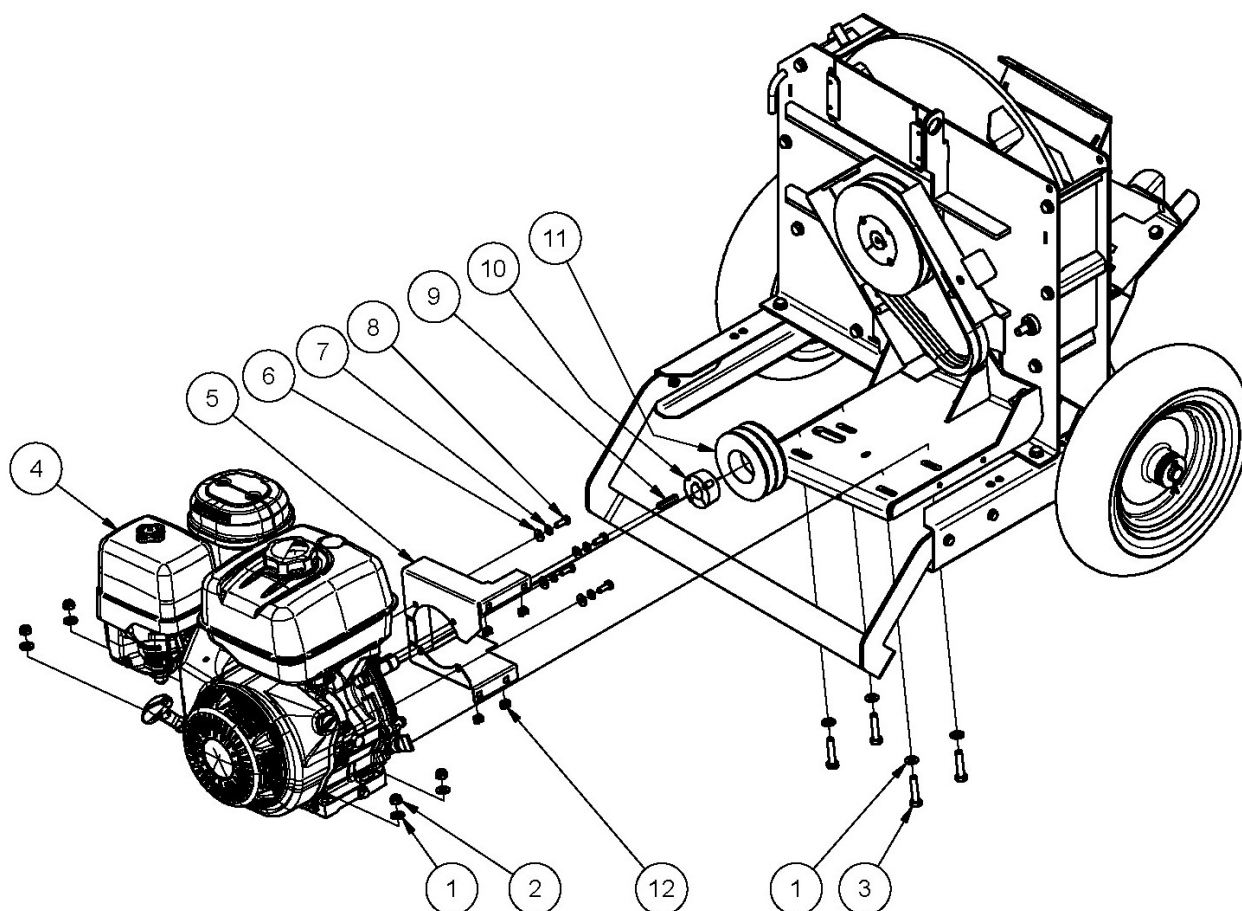
ITEM	PART NUMBER	DESCRIPTION	QTY
1	A175003R	Cover, Access, Cleanout	1
2	NM6NT	Nut, Hex, Nyloc, Thin, M 6, Pc6	2
3	SH0620M	Screw, Hex, M 6x20, Pc4.6	2
4	W06MN	Washer, Flat, Bright, M 6x 12.5x1.2	4
5	A175033	Deflector, Inlet, Rubber	1
6	A175035R	Clamp, Deflector, Inlet	1
7	A175231R	Hopper, Inlet	1
8	NM8NT	Nut, Hex, Nyloc, Thin, M 8, Pc6	3
9	SH0825M	Screw, Hex, M 8x 25, Pc8.8	3
10	W08MN	Washer, Flat, Bright, M 8x 17x1, 2	6
11	NM10NT	Nut, Hex, Nyloc, Thin, M10, Pc6	4
12	SH1025M	Screw, Hex, M10 X 25, Pc 8.8	2
13	SH1030M10.9	Screw, Hex, M10x 30, Pc10.9	2
14	W10MN	Washer, Flat, Bright, M10x 21x1.6	8

## MODEL NO: A17516C DRIVE COVERS, V BELTS, DISENGAGEMENT MECHANISM



ITEM	PART NUMBER	DESCRIPTION	QTY
1	A175041R	Lever, Disengage	1
2	AM308	Spring, Compression, Locking Pin	1
3	CHSBM6X55	Bolt, Cap, Hex Soc, M 6x 55, Pc12.9	1
4	NHM6	Nut, Hex, M 6, Pc5	1
5	A175045	Knob	1
6	A174045R	Link, Pivot	1
7	A175043R	Link, Adjust	1
8	AM009	Hand Grip	1
9	W10M	Washer	3
10	NM10NT	Nut, Hex, Nyloc, Thin, M10, Pc6	1
11	N12M	Nut, Hex, M12	2
12	CSSSM10X30	Screw, Csk, Hex Soc, M10x 30, Pc12.9	1
13	W12MN	Washer, Flat, Bright, M12x 24x1.6	2
14	NM12NT	Nut, Hex, Nyloc, Thin, M12, Pc6	2
15	84059	Washer, Flat, Black, 12.5x35x3	1
16	A175095R	Cover, Access, Drive, Outer	1
17	A175055R	Cover, Access, Drive, Engine	1
18	SEMSM6X18	Screw, Hex, +Washers, M6x18	4
19	SEMSM8X20	Screw, Hex, +Washers, M8x20	3
20	V71	Belt, V	2

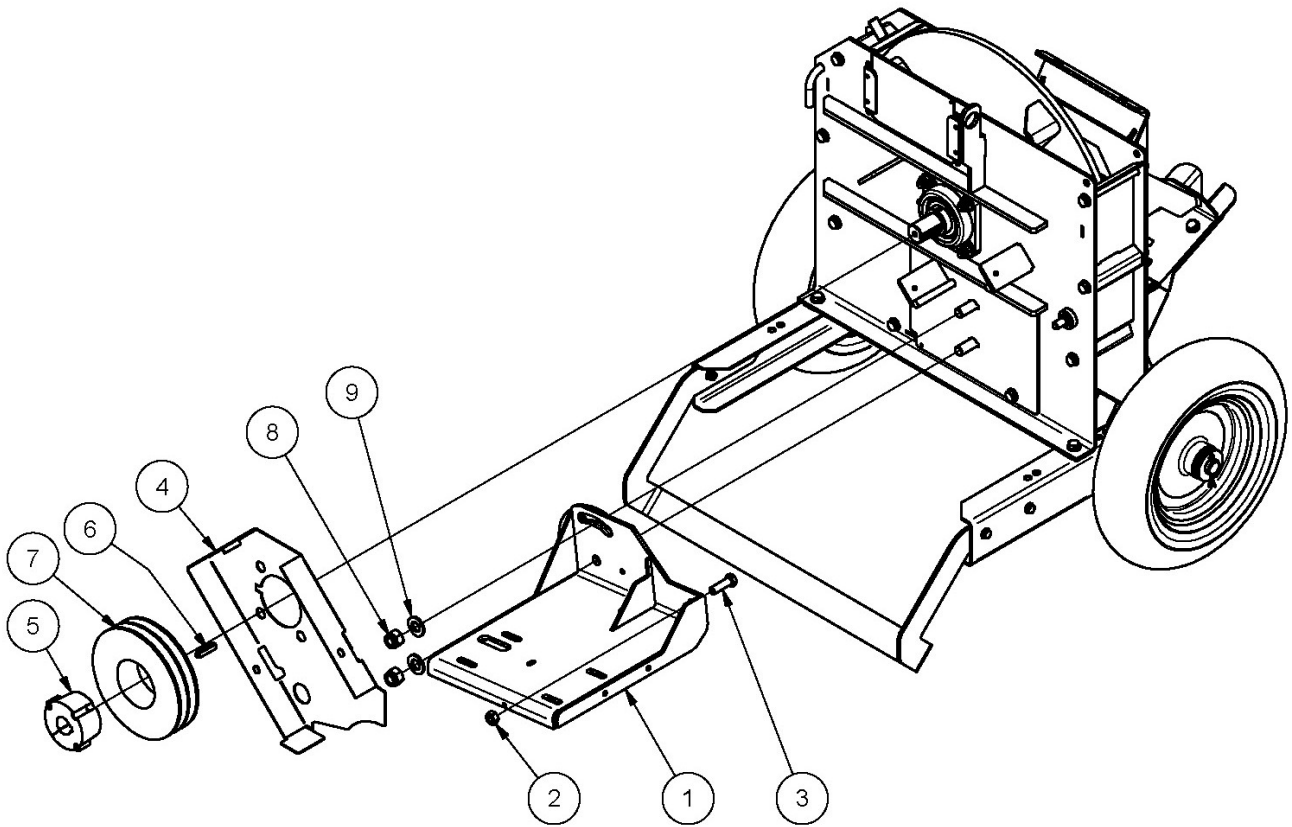
## MODEL NO: A17516C ENGINE DRIVE COMPONENTS



ITEM	PART NUMBER	DESCRIPTION	QTY
1	W10MN	Washer, Flat, Bright, M10x 21x1.6	8
2	NHCM10	Nut, Hex, Conelok, M10, Pc8	4
3	B1045M	Bolt, Hex, M10x 45, Pc8.8	4
4		Engine, 13.0hp, 1cyl, Hor Hon, GX390QUZ	1
		Engine, 13.5hp, 1Cyl, Hor, B&S, 25T232	
5	A175053R	Guard, Drive, Engine	1
6	W051218	Washer, Flat, Bright, 5/16"X3/4"X18g	4
7	WS050216	Washer, Lock, Spring, 5/16"X1/8"X1/16"	4
8	SH0512F	Screw, Hex, Unf, 5/16"X 3/4", Gr5	4
9	A108104	Key	1
10	A175105	Bush, Taper Lock	1
11	A175103	Pulley, V, Taper Lock	1
12	NCM6X1.6X9.5	Nut, Cage, M 6, 1.6 Panel, 9.5sq Hole	4

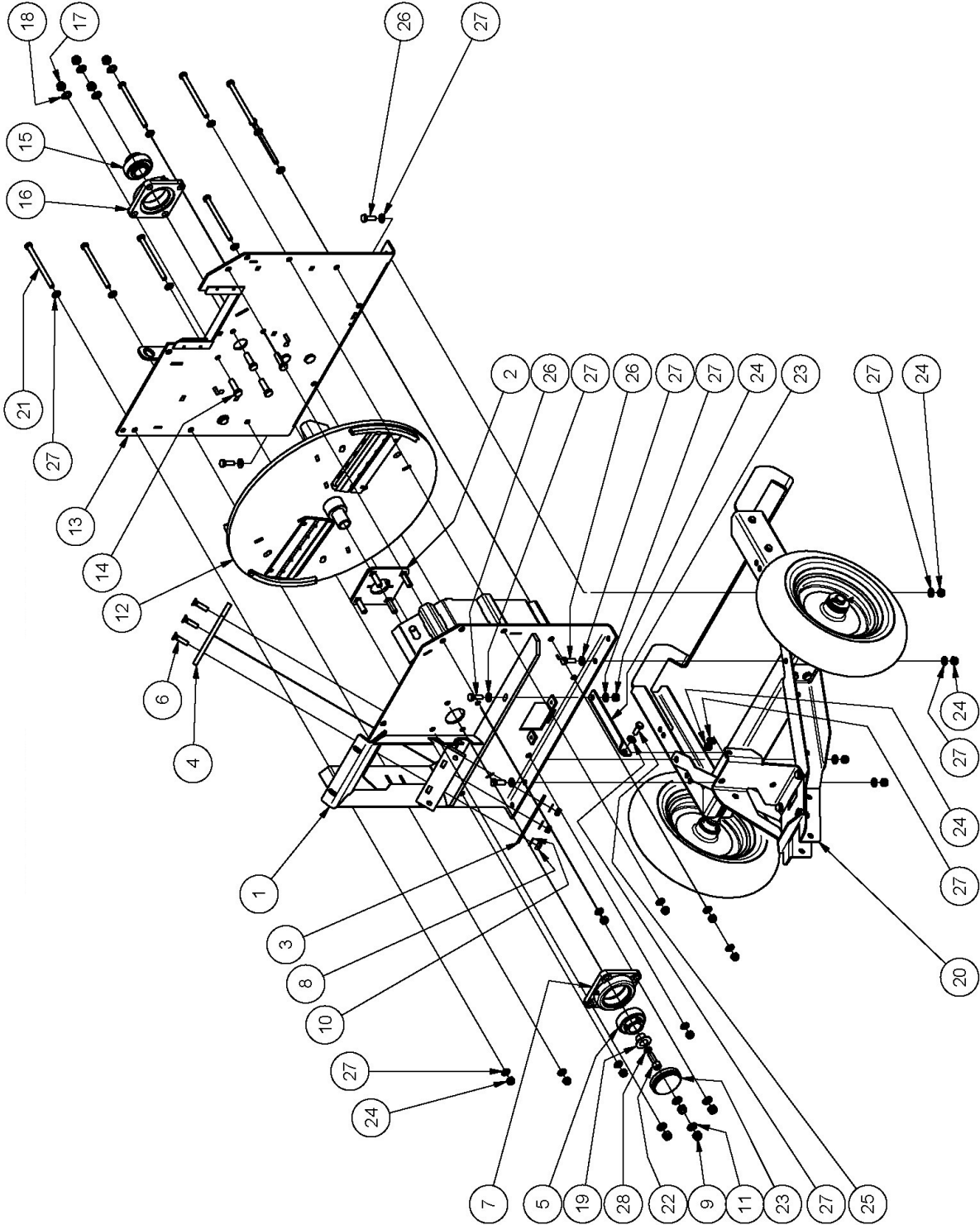


**MODEL NO: A17516C CHIPPER DISC DRIVE PULLEY, ENGINE BASE**



ITEM	PART NUMBER	DESCRIPTION	QTY
1	A175061R	Base, Engine	1
2	N12M	Nut, Hex, M12	1
3	B1240M	Bolt, Hex, M12 X 40, Pc8.8	1
4	A175093R	Guard, Drive, Inner	1
5	A175104	Bush, Taper Lock	1
6	A175099	Key	1
7	A175102	Pulley, V, Taper Lock	1
8	NM16N	Nut, Hex, Nyloc, M16, Pc8	2
9	W112103	Washer, Flat, Black, 18x34x3	2

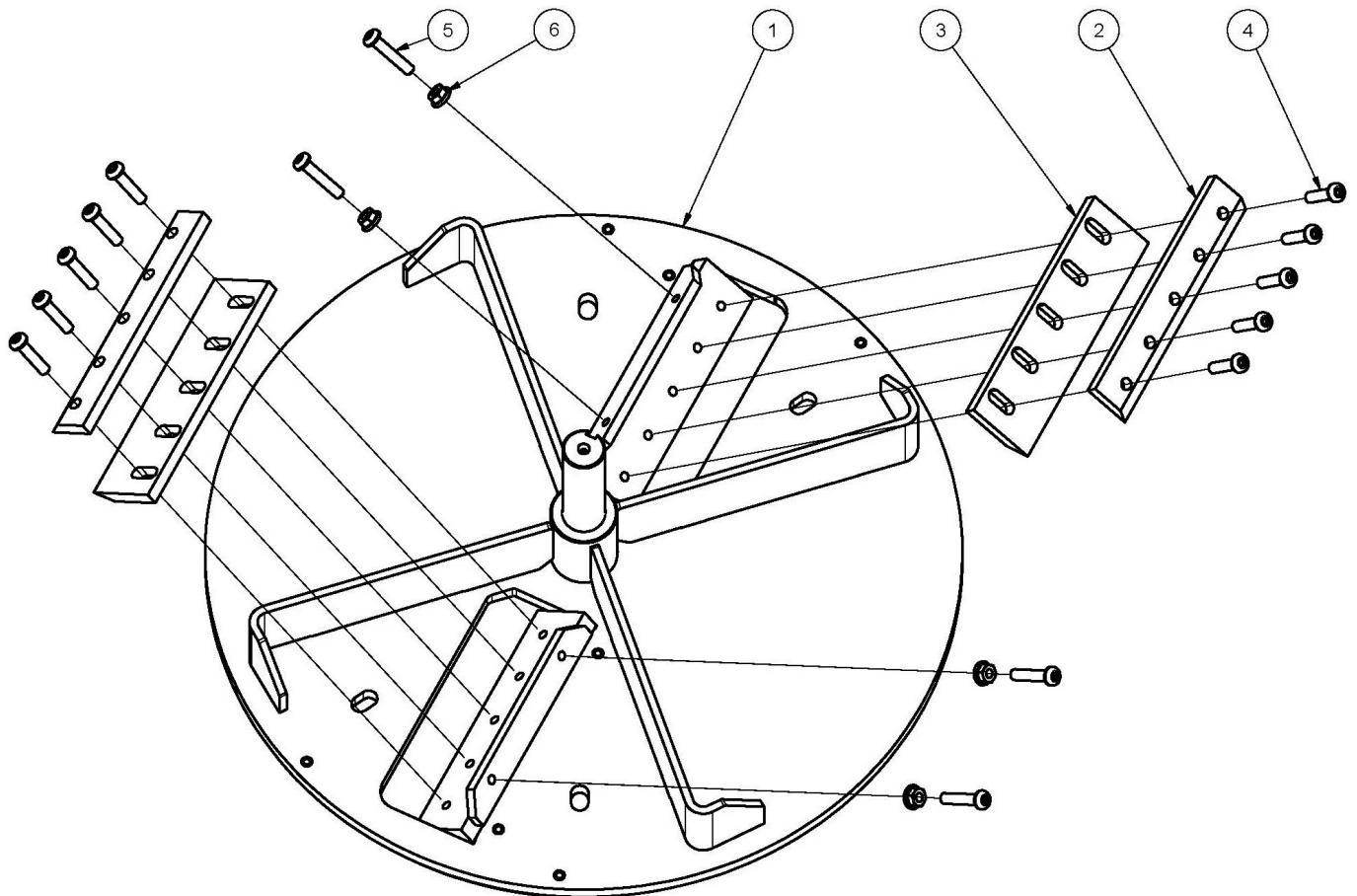
**MODEL NO: A17516C HOUSING**



## MODEL NO: A17516C HOUSING

ITEM	PART NUMBER	DESCRIPTION	QTY
1	A175001R16C	Housing, Front	1
2	A175005	Chipper, Shaft, Cleaner	1
3	A175006R	Clamp, Anvil	1
4	A175008H	Anvil	1
5	BB31.75SANG	Bearing, Ball	1
6	CSSSM10X40	Screw, Csk, Hex Soc, M10x 40, Pc10.9	3
7	HBUSF207M	Housing, Bearing, Unit, Flange, Sq, F207, Mc	1
8	NM10NT	Nut, Hex, Nyloc, Thin, M10, Pc6	3
9	NM12NT	Nut, Hex, Nyloc, Thin, M12, Pc6	4
10	W10MN	Washer, Flat, Bright, M10x 21x1.6	3
11	W12MN	Washer, Flat, Bright, M12x 24x1.6	4
12		Sub-Assy, Disc, Chipper	1
13	A175021R	Housing, Rear	1
14	B1240M	Bolt, Hex, M12 X 40, Pc8.8	4
15	BB31.75SANG	Bearing, Ball	1
16	HBUSF207	Housing, Bearing, Unit, Flange, Sq, F207	1
17	NM12NT	Nut, Hex, Nyloc, Thin, M12, Pc6	4
18	W12MN	Washer, Flat, Bright, M12x 24x1.6	4
19	A175108Z	Retainer, Recessed, Shaft, M12	1
20		Sub-Assy, Undercarrage	1
21	B10140M	Bolt, Hex, M10x140, Pc8.8	8
22	CHSSM12X35	Screw, Cap, Hex Soc, M12x 35, Cl12.9	1
23	CPB207	Cover, Bearing, Pressed, Blind	1
24	NM10NT	Nut, Hex, Nyloc, Thin, M10, Pc6	14
25	SH1025M	Screw, Hex, M10 X 25, Pc 8.8	1
26	SH1030M10.9	Screw, Hex, M10x 30, Pc10.9	5
27	W10MN	Washer, Flat, Bright, M10x 21x1.6	28
28	WSM12x2.5x2.5	Washer, Lock, Spring, M12x2.5x2.5	1

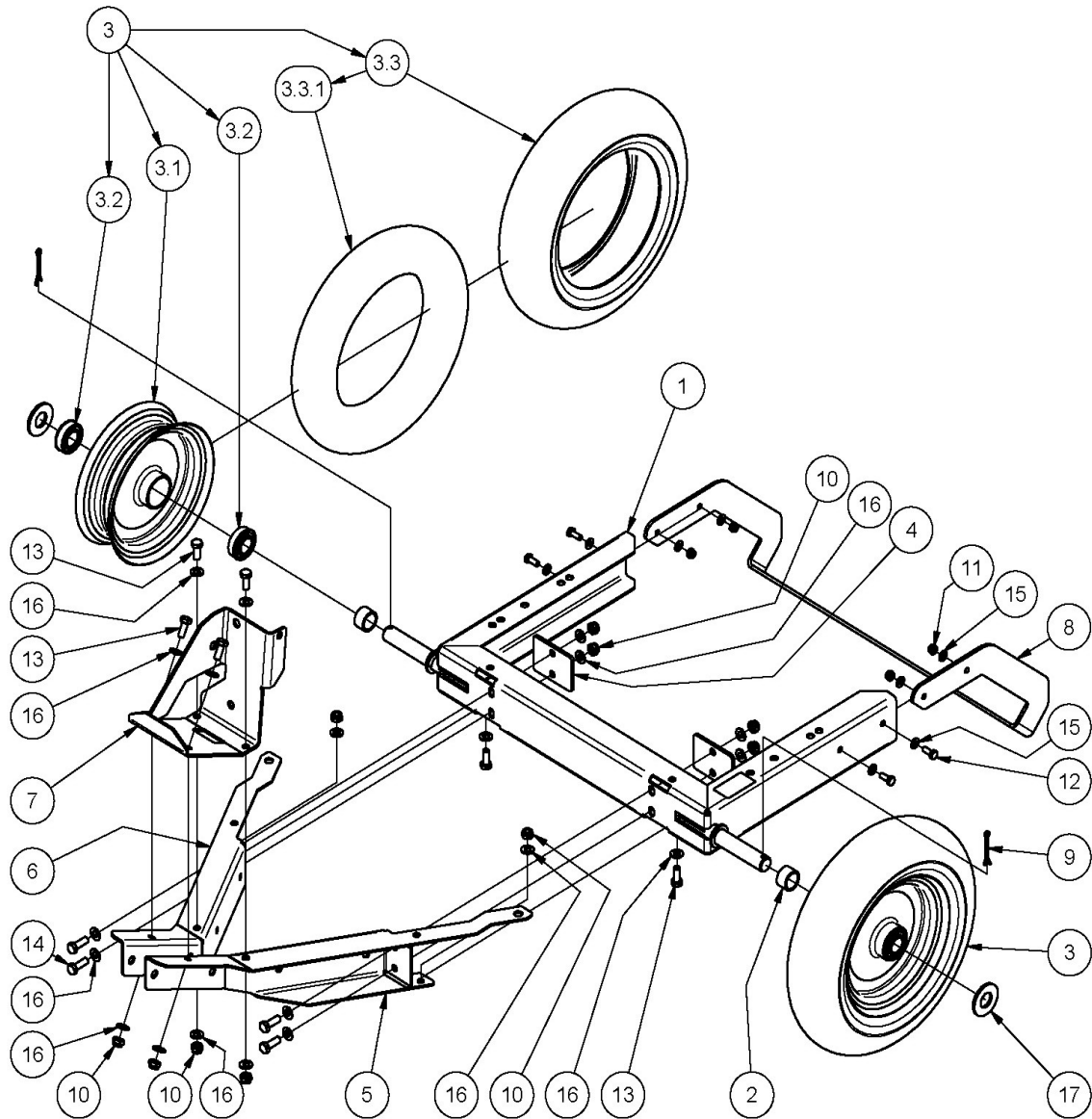
## MODEL NO: A17516C CHIPPER DISC COMPONENTS



ITEM	PART NUMBER	DESCRIPTION	QTY
1	A175013	Rotor	1
2	A175016	Clamp, Blade	2
3	A175018	Blade, Knife	2
4	BHSSM8X35	Screw, Button, Hex Soc, M 8x 35, Pc10.9	10
5	BHSSM8X40	Screw, Button, Hex Soc, M 8x 40, Pc10.9	4
6	NFM8	Nut, Hex, Flange, Serated, M 8, Pc8	4



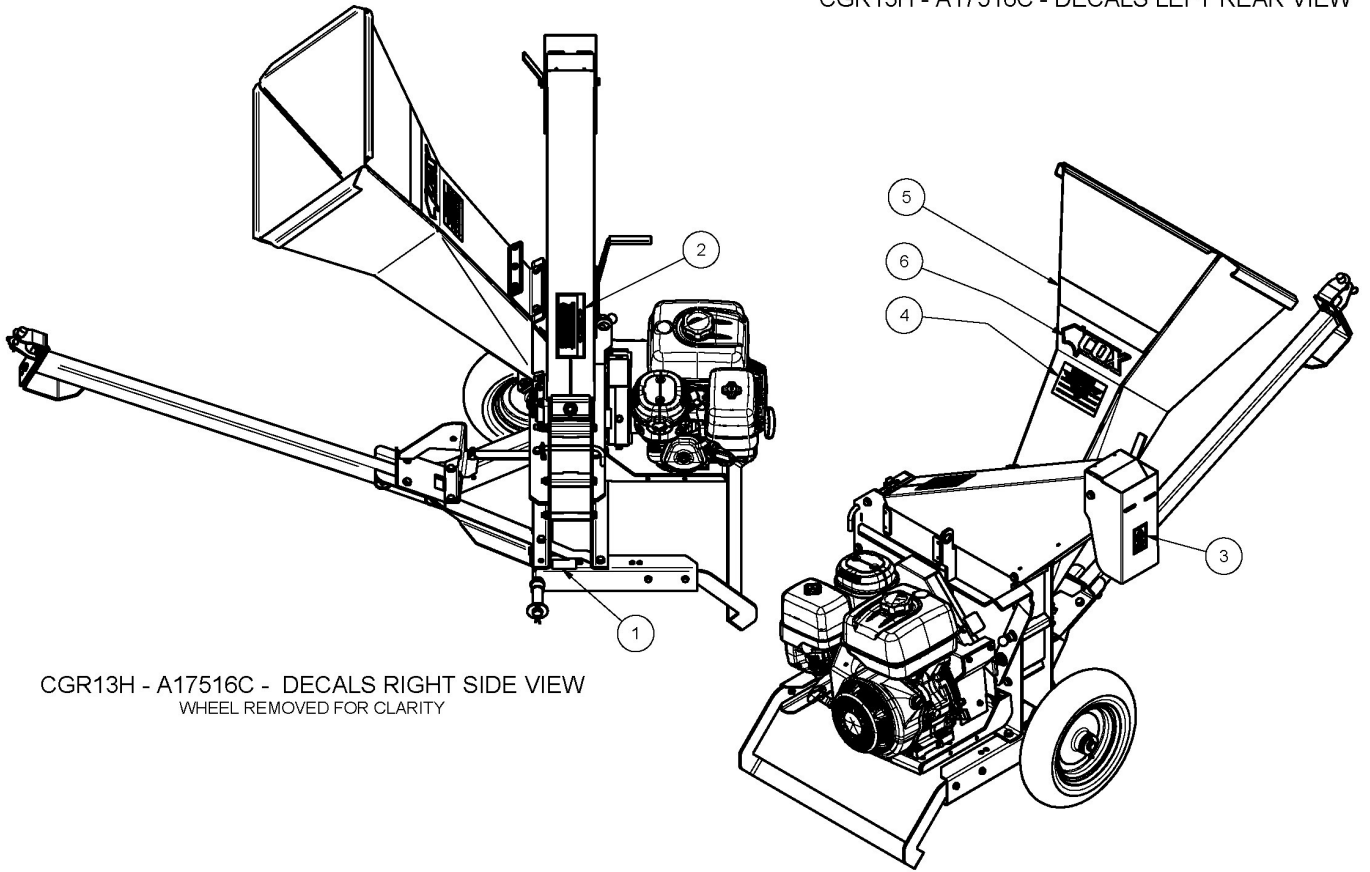
**MODEL NO: A17516C UNDERCARRIAGE**



ITEM	PART NUMBER	DESCRIPTION	QTY
1	A175081R16C	Undercarriage	1
2	A175085Z	Sleeve, Spacer, 27.3x33.7x19.5	2
3	A175088	Wheel, 4.00-8, 1"Bbrg	2
3.2	BBSC25.4	Bearing, Ball	2
3.3	TT400X8	Tyre+Tube	1
3.3.1	STU400X8	Tube, 400-8	1
4	A175118R	Reinforce, Undercarriage	2
5	A175121R16C	Arm, A-Frame, Right	1
6	A175123R16C	Arm, A-Frame, Left	1
7	A175214R	Bracket, Top, A-Frame	1
8	A175283R	Foot	1
9	CP5-050	Pin, Split	2
10	NM10NT	Nut, Hex, Nyloc, Thin, M10, Pc6	10
11	NM8NT	Nut, Hex, Nyloc, Thin, M 8, Pc6	4
12	SH0820M	Screw, Hex, M 8x 20, Pc8.8	4
13	SH1025M	Screw, Hex, M10 X 25, Pc 8.8	6
14	SH1030M10.9	Screw, Hex, M10x 30, Pc10.9	4
15	W08MN	Washer, Flat, Bright, M 8x 17x1, 2	8
16	W10MN	Washer, Flat, Bright, M10x 21x1.6	20
17	W173404	Washer, Flat, Black, 26.5x55x4	2

**MODEL NO: A17516C DECALS for CGR13B & CGR13H**

CGR13H - A17516C - DECALS LEFT REAR VIEW



CGR13H - A17516C - DECALS RIGHT SIDE VIEW  
WHEEL REMOVED FOR CLARITY

ITEM	PART NUMBER	DESCRIPTION	QTY
1		Label, Model+Code+Serial, Cox	1
2	DEC404	Decal, Danger, Chipper	2
3	DEC407	Decal, Keep Hands Clear, Chipper	1
4	DEC405	Decal, Warning, Chipper	1
5	DEC406	Decal, SuperChipper	1
6	DEC330	Decal, Cox	1



## COX INDUSTRIES WARRANTY POLICY

### DEFINITIONS:

"Commercial Use" means all uses other than Domestic use, including any use that is income producing, rental, or is in relation to use in schools, by government departments or charity operators.

"COX INDUSTRIES" means Cox Industries (Australia) Pty Ltd ACN 050 991 038.

"Dealer" means an authorised COX INDUSTRIES dealer, a list of which can be found on our website: [www.coxmowers.com.au](http://www.coxmowers.com.au) or freecall us on 1800 330 444.

"Domestic Use" means use for a personal, residential or household (property) purpose.

"SuperChipper" means any SuperChipper manufactured by COX INDUSTRIES.

"Parts" means all parts that can be found in a SuperChipper excluding.

"Warranty Period" means:

- 1) for Domestic Use, a period of one (1) year; or
- 2) for Commercial Use, a period of six (6) months, from the original date of purchase.

### NEW SUPERCHIPPER:

Our goods come with guarantees that cannot be excluded under the Australian Consumer Law. You are entitled to a replacement or refund for a major failure and compensation for any other reasonably foreseeable loss or damage. You are also entitled to have the goods repaired or replaced if the goods fail to be of acceptable quality and the failure does not amount to a major failure.

Nothing in this Warranty purports to modify or exclude the conditions, warranties and undertakings, and other legal rights, under the Australian Consumer Law. This Warranty gives you additional protection for your SuperChipper, and identifies a preferred approach to resolving warranty claims which will be quickest and simplest for all parties, subject to the exclusions, terms and conditions below.

### WARRANTY PERIOD:

COX INDUSTRIES warrants in respect of each new SuperChipper sold that, subject to the exclusions below, for the Warranty Period COX INDUSTRIES or a Dealer will repair or replace free of charge any Parts found to be defective in materials or workmanship under normal use and operating conditions. Other than for major failure, it is at COX INDUSTRIES sole discretion as to whether the SuperChipper or Part is repaired or replaced.

### PARTS INSTALLED DURING NEW SUPERCHIPPER WARRANTY PERIOD:

Warranty coverage for Parts installed during the new SuperChipper Warranty Period shall consist of the remainder of the new SuperChipper Warranty Period or ninety (90) days, whichever ever is greater, provided the installation is performed by a Dealer.

### TO CLAIM THE WARRANTY:

To make a claim under this Warranty, please bring or send the SuperChipper to an authorised Dealer with a copy of your proof of purchase of the Garden Recycler. A claim under this Warranty is not formally made unless and until that proof of purchase is provided. This does not detract from your statutory rights.

### WARRANTY REGISTRATION:

The warranty registration card must be completed by the Dealer with the customer at the time of purchase and returned to COX INDUSTRIES or an authorised Dealer within 14 days of the date of purchase.

This Warranty is transferable to a subsequent owner of a SuperChipper, in the event of the sale of that product, provided that COX INDUSTRIES is informed in writing within a reasonable time of the sale of the subsequent owner's name and contact details, such notice to be provided to COX INDUSTRIES. The notice should identify the name of the previous owner of the SuperChipper, place and date of purchase, model, make and serial number of the SuperChipper. The effective transfer of this Warranty does not otherwise alter the terms of this Warranty in any way.

### WARRANTY EXCLUSIONS:

This Warranty does not cover:

- 1) the costs of rental of another machine or related equipment while repairs are in progress;
- 2) telephone, facsimile or other related communication expenses;
- 3) transportation and insurance charges during transportation of failed SuperChipper or any part thereof;
- 4) the labour, parts, mechanical adjustments or lubricant costs which, in the judgement of COX INDUSTRIES or their Dealer, should have been made as standard maintenance according to the COX INDUSTRIES maintenance schedule;
- 5) the replacement of or service costs relating to replacing and maintaining consumable parts which have ceased working through normal wear and tear such as, but not limited to, normal maintenance parts such as SuperChipper blades and bearings;
- 6) any damage or defect caused by alteration, modification, fitment of a non-genuine part or attachment not approved by COX INDUSTRIES or repair, modification or work carried out on the SuperChipper other than by a Dealer;
- 7) any defect caused by misuse, negligence, accidents or failure to carry out proper maintenance procedures;
- 8) damage caused by continued operation of the machine after it is known to be defective;
- 9) any other expenses incurred by the consumer in making the warranty claim;
- 10) damage caused by incorrect or improper operation (including racing or similar activities), maintenance or not following the Instructions or maintenance requirements of the Garden Recycler in accordance with the operation and maintenance manual provided with the SuperChipper;
- 11) damage caused by failure to clean or improper cleaning of the product;
- 12) damage caused by adverse external conditions such as thunderstorm activity, acts of God, acts of terrorism, damage caused by vermin, or any other act or circumstance beyond COX INDUSTRIES' control; or
- 13) damage caused by exposure to excessive heat, moisture or dampness, or exposure to abnormally corrosive conditions.

For the avoidance of any doubt, any and all warranties or conditions which are not guaranteed under the Australian Consumer Law or the Australian Competition and Consumer Regulations 2010 and which are not expressly included in this Warranty as additional warranties or conditions are excluded.

To the extent applicable by law, the manufacturer will not accept liability for costs of labour, postage, cartage or delivery to replace faulty materials or parts; or for any loss, damage or accident directly, indirectly, or consequentially suffered by the purchaser, operator or any other person or property as a result of such faults whether due to defective materials or workmanship or otherwise.



## **Cox Industries (Australia) Pty Ltd**

**70 Landseer Street  
Acacia Ridge Qld 4110  
Australia**

**PH 07 3323 2222 FAX 07 3344 6233**

Web Site Address: [www.coxmowers.com.au](http://www.coxmowers.com.au)

Email: [sales@cox-mowers.com.au](mailto:sales@cox-mowers.com.au)