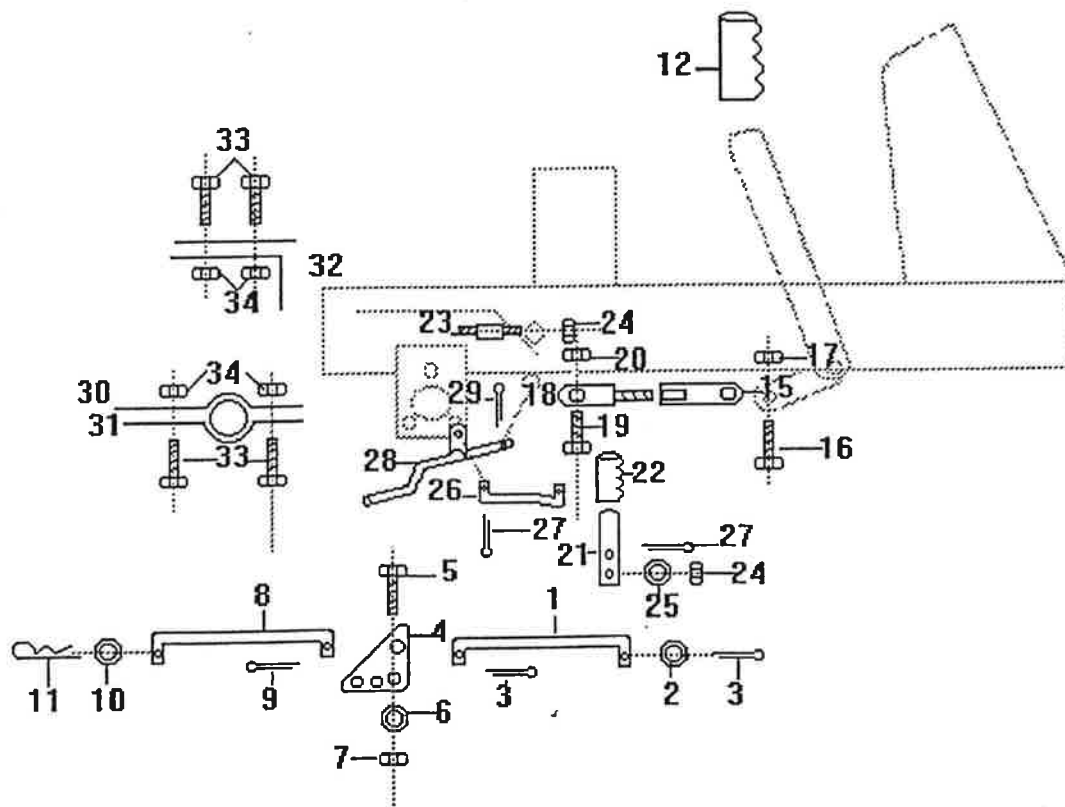




5HP
1995 -1997
07A95

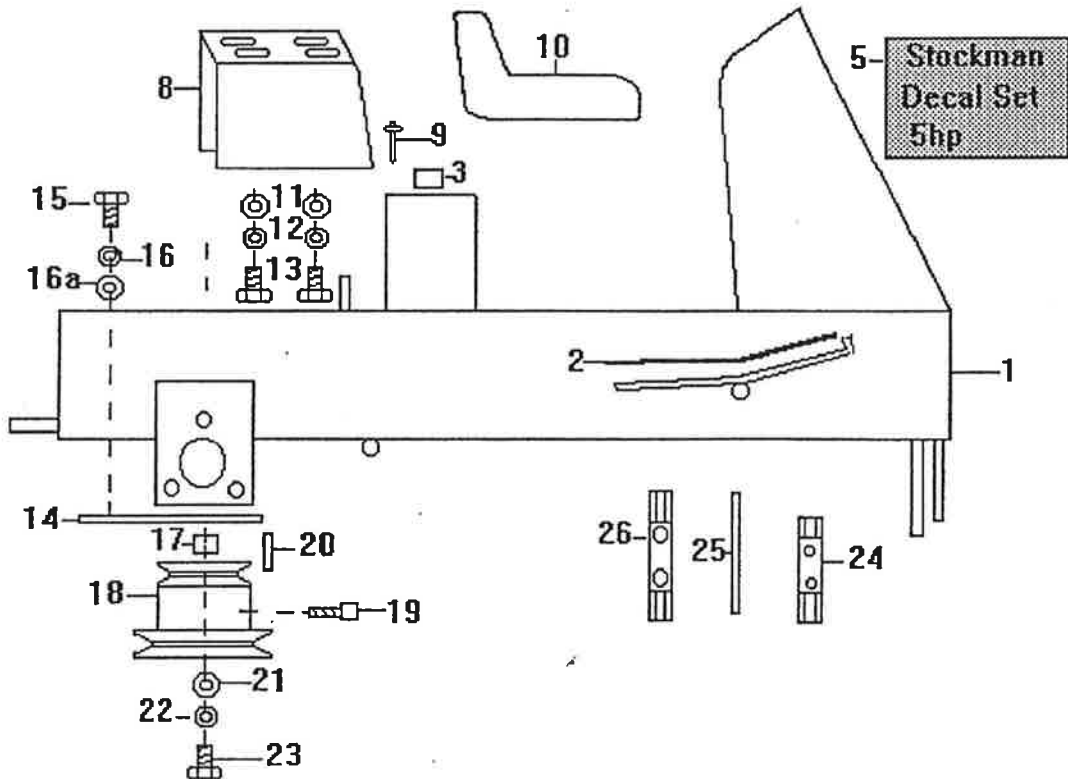
STOCKMAN 07A95 GROUP 11: MAIN CHASSIS & COMPONENTS

Ref No.	Part No.	Description	Ref No.	Part No.	Description
1	071101L3B	Chassis NLA	15	SB0528C	Engine Mount Bolt (4) N.L.A.
2	NSM01	Non Skid Material-Clutch Pedal	16	WS050216	Eng. Mnt. Spring Washer (4)
3	071111	Transmission Rubber Stop (2)	16a	W051216	Engine Mount Washer (8)
5	DEC07L305.0	Stockman 5HP Decal Set NLA	17	071108	Engine Pulley Spacer
8	201104	Transmission Cover NLA	18	071107	Engine Pulley NLA
9	PR0308R	Trans. Cover Pop Rivet (4)	19	GS0505C	Engine Pulley Set Screw
10	AM164	Seat NLA	20	AM115	Engine Pulley Key
11	W052003	Seat Ret. Bolt Washer (4)	21	W072002	Pulley Retaining Bolt Washer
12	W05S	Seat Ret. Lock Washer (4)	22	W07S	Pulley Ret. Bolt Lock Washer
13	SH0512C	Seat Retaining Bolt (4)	23	SH0720F	Engine Pulley Retaining Bolt
14	071109	Engine Mount Plate	24	AM005G0	Spark Plug Spanner
	AM078BO	Engine Mount Bolt Plate	25	AM007	Tube Spanner Tommy Bar
			26	AM006C1	Tube Spanner



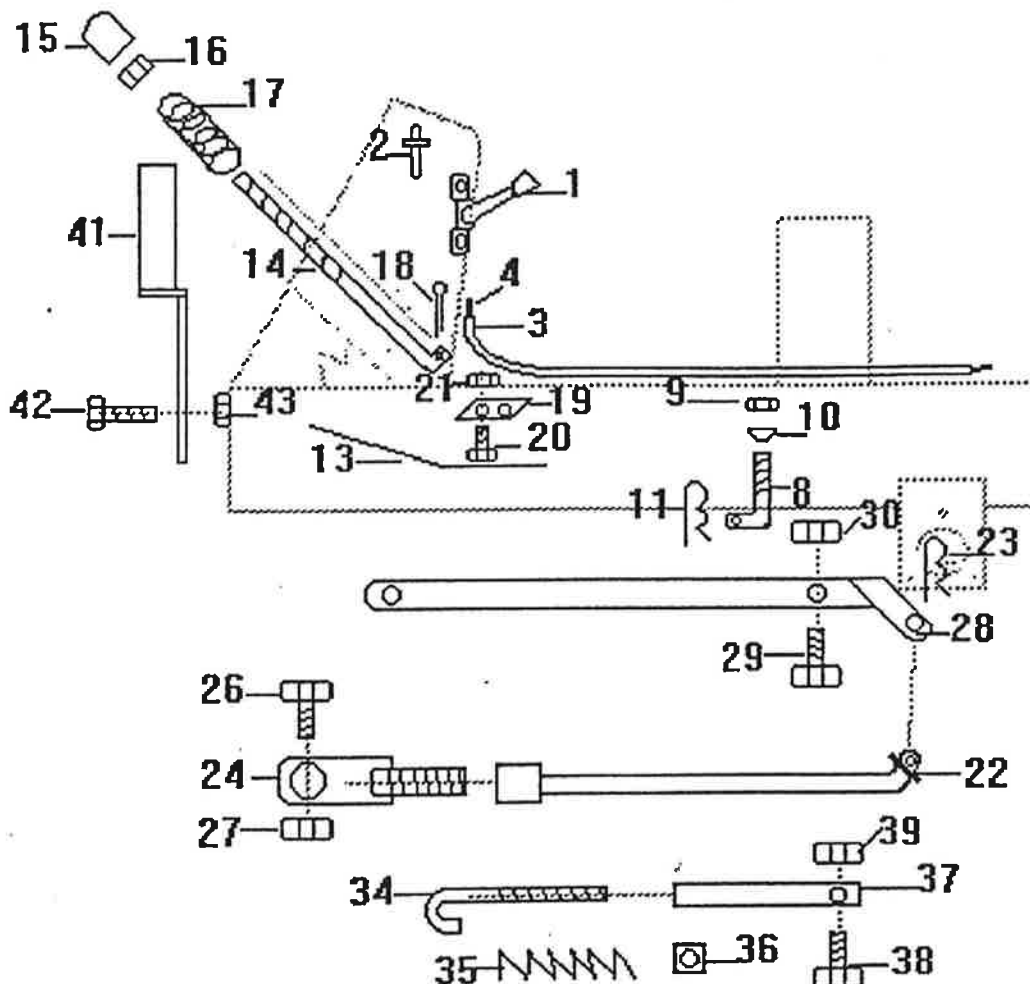
STOCKMAN 07A95 GROUP 12: RIGHT HAND SIDE OF CHASSIS

Ref No.	Part No.	Description	Ref No.	Part No.	Description
1	AM120C95	Clutch Rod Long	20	N05CN	Diseng. Adjuster Bolt Nut
2	W071416	Clutch Rod Long Washer (1)	21	201201L7	Hand Brake Handle
3	CP3-220	Clutch Rod Long Split Pin (2)	22	AM089	Hand Grip
4	AM121	Clutch Pivot Plate	23	201202L7	Hand Brake Pivot Pillar
5	B0620C	Clutch Pivot Plate Bolt	24	N06CN	Pivot Nut (2)
6	W061216	Pivot Plate Bolt Washer	25	W061216	Pivot Nut Washer
7	N06CN	Clutch Pivot Plate Bolt Nut	26	201203L7	Hand Brake Actuating Rod NLA
8	AM122	Clutch Rod Short	27	CP3-220	Actuating Rod Split Pin (2)
9	CP3-220	Clutch Rod Short Split Pin	28	AM119	Parking Brake
10	W051216	Clutch Rod Short Washer (1)	29	CP3-220	Parking Brake Split Pin
11	RP01	Clutch Rod Short 'R' Pin	30 *	AM112	Disengaging Micro Bracket
12	AM009	Disengaging Handle Grip	31 *	AM113	Diseng. Micro Brkt Clamp NLA
15	AM353	Disengaging Adjuster Bushed	32 *	AM114	Diseng. Micro Spring Plate
16	SH0616C	Disengaging Adjuster Bolt	33 *	SH0412C	¼ x 3/4UNC Screw (4)
17	N06CN	Diseng. Adjuster Bolt Nut	34 *	N04CN	¼ Nyloc Nut (4)
18	AM010J6	Diseng. Adjuster Threaded			
19	SH0516C	Disengaging Adjuster Bolt			
			*	SKIT28	Diseng Micro NLA



STOCKMAN 07A95 GROUP 13: LEFT HAND SIDE OF CHASSIS

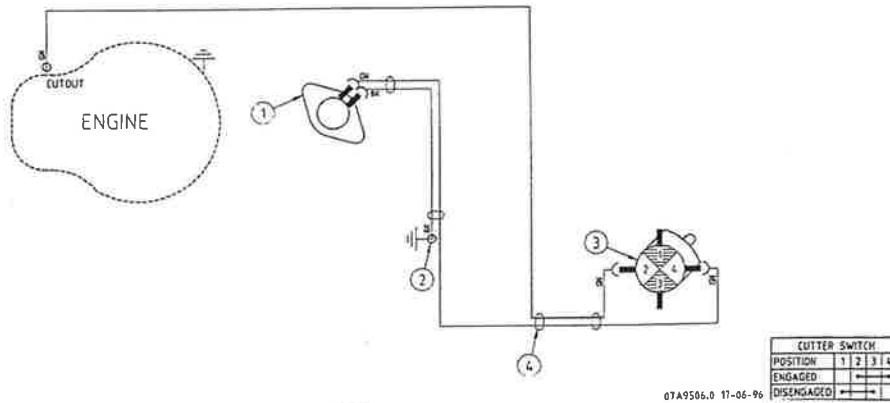
Ref No.	Part No.	Description	Ref No.	Part No.	Description
1 *	AM088	Throttle Lever	23	RP02	Height Adjustment R-Pin
2 *	PR0306	Throttle Lever Rivet (2)	24	AM355	Height Adj. Threaded
3 *	071311	Throttle Cable Outer	26	SH0616C	Height Adjustment Bolt
4 *	071312	Throttle Cable Inner	27	N06CN	Height Adjustment Nut
8	AM124	Cutter Adj. Rear Hook	28	AM352	Height Connecting Rod
9	N06CN	Cutter Adj. Rear Hook Nut	29	SH0616C	Height Conn. Rod Bolt (2)
10	AM125	Cutter Adj. Hook Spacer	30	N06CN	Height Conn. Rod Nut (2)
11	RP02	Cutter Adj. Hook 'R' Pin	34	AM123	Cutter Brake Adjuster Rod
13	NSM01	Non Skid Material	35	AM035	Cutter Brake Adj. Spring
14	AM143M9	Height Adj. Pawl Push Rod	36	NS05C	Cutter Brake Adj. Rod Nut
15	AM013Q2	Height Adj. Push Rod Button	37	AM034H0	Cutter Brake Adj. Bracket
16	N04C	Height Adj. Push Rod Nut	38	SH0516C	Cutter Brake Adjuster Bolt
17	AM012	Height Adj. Push Rod Spring	39	N05CN	Cutter Brake Adj. Bolt Nut
18	CP2-512	Height Adj. Rod Split Pin	41	201306K94	Height Adjustment Handle
19	AM011	Height Adjustment Pawl	42	B0632C	Adj. Handle Pivot Bolt
20	SH0516C	Height Adj. Pawl Pivot Bolt	43	N06CN	Hght Adj. Handle Pivot Nut
21	N05CN	Height Adj. Pivot Bolt Nut			
22	AM354	Height Adjustment rod	*	071314	Throttle Assembly



STOCKMAN 07A95 GROUP 14: ELECTRICAL CIRCUIT

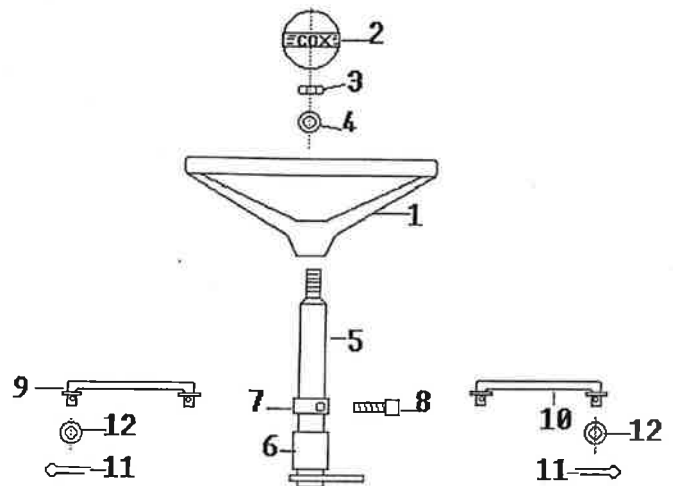
Ref No.	Part No.	Description
1	AM165	Seat Micro
	SR0408W	Seat Micro Screw (2)
	W04S	Seat Micro Screw S/Proof Washer (2)
	AM113	Disengaging Micro Bracket Clamp NLA
	AM114	Disengaging Micro Spring Plate
2	SH0412C	Disengaging Micro Bracket Bolt (4)
	N04CN	Disengaging Micro Bracket Bolt Nut (4)
	AM092	Micro Switch (2)
	SH0512C	Earth Bolt
	W05S	Earth Bolt Lock Washer
3	W051216	Earth Bolt Washer
	071409	Manual Start Loom
	AM096	Cable Ties (2)

CABLE COLOURS	
CODE	COLOUR
BK	BLACK
GN	GREEN



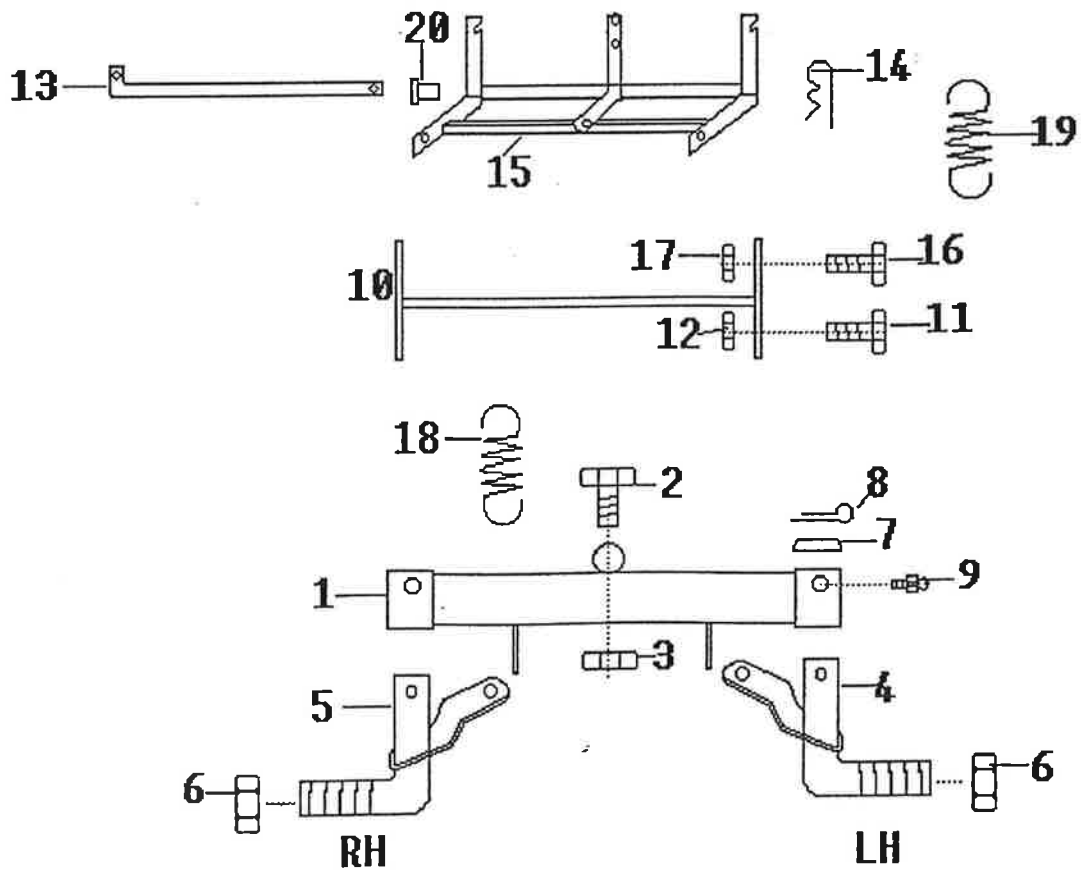
STOCKMAN 07A95 GROUP 15: STEERING COMPONENTS

Ref No.	Part No.	Description
1 *	AM167M8	Steering Wheel
2 *	AM225	Steering Wheel Emblem
3	N06CN	Steering Wheel Ret. Nut
4	W061216	Steering Wheel Ret. Nut Washer
5	201503	Steering Shaft
6	AM017C1	Steering Shaft Bush (2)
7	AM066	Steering Shaft Lock Collar
8	GS0404C	Lock Collar Set Screw
9	201505	L/H Tie Rod
10	201504	R/H Tie Rod
11	CP2-512	Tie Rod End Split Pin (2)
12	W051216	Tie Rod End Washer (2)
*	SKIT37	Steering Wheel Incl. Emblem



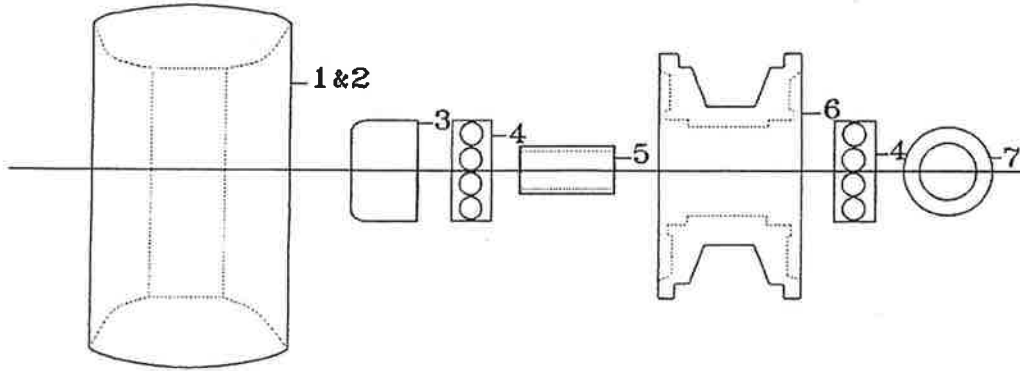
STOCKMAN 07A95 GROUP 16: FRONT AXLE COMPONENTS

Ref No.	Part No.	Description
1	201601L7B	Front Axle NLA
2	B0824C	Front Axle Pivot Bolt
3	N08CN	Front Axle Pivot Bolt Nut
4	AM067	L.H. Stub Axle
5	AM068	R.H. Stub Axle
6	NHM20X1.5T	Front Wheel Retaining Nut (2)
7	AM069	Stub Axle Cup Washer (2)
8	CP3-225	Stub Axle Split Pin (2)
9	GNTF3	Stub Axle Grease Nipple (2)
10	AM132B	Front Axle Connecting Link
11	SH0616C	Front Axle Connecting Link Bolt (2)
12	N06CN	Front Axle Conn. Link Bolt Nut (2)
13	AM039S2	Cutter Pivot Rod NLA
	13016	Cutter Pin (New Type)
	NM6NT	Nut (1)
	SH0616M	Set Screw (1)
14	RP02	Cutter Pivot Rod 'R' Pin
15	201603L7B	Cutter Connecting Link
16	SH0616C	Connecting Link Bolt (2)
17	N06CN	Connecting Link Bolt Nut (2)
18	AM040	Belt Tension Spring (2)
19	AM145	Weight Compensating Spring
20	AM230	Cutter Housing Conn Link Bush (2)



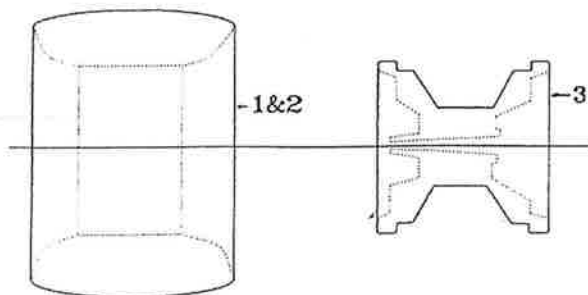
STOCKMAN 07A95 GROUP 17: FRONT WHEEL COMPONENTS

Ref No.	Part No.	Description
1	TT350x4	Front Wheel Tyre & Tube (2)
2	STU350x4	Front Wheel Tube (2)
3	AM07099C	Front Hub Cap (2)
4	BB204212N	Front Wheel Bearing (4)
5	AM021	Bearing Spacer (2)
6	AM134Q2	Wheel Hub (42mm Bore) (2)
7	W203902	Bearing Dust Shield (4)



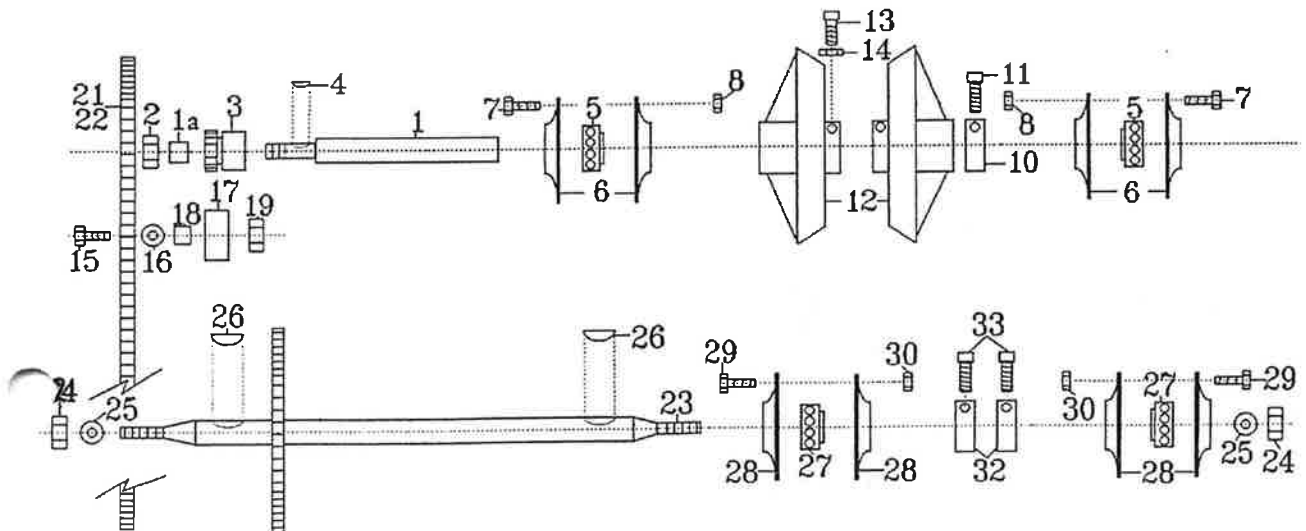
STOCKMAN 07A95 GROUP 18: REAR WHEEL COMPONENTS

Ref No.	Part No.	Description
1	TT500x6	Rear Wheel Tyre & Tube (2)
2	STU500x6	Rear Wheel Tube (2)
3	AM135Q2	Wheel Hub (6") (2) NLA



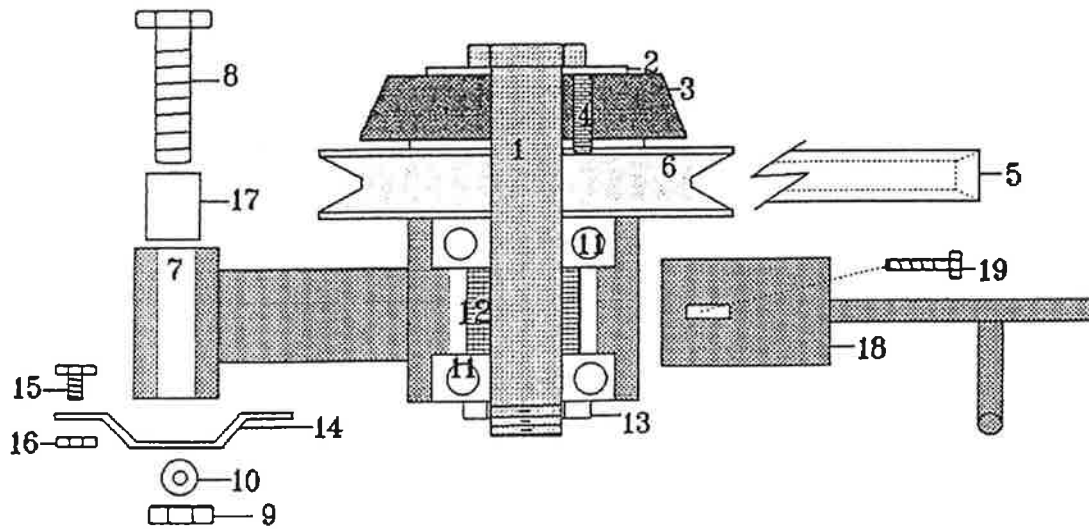
STOCKMAN 07A95 GROUP 19: DRIVE COMPONENTS

Ref No.	Part No.	Description	Ref No.	Part No.	Description
1	AM349E95	Intershaft	17	AM263	Chain Adj. Brg & Spacer NLA
1a	AM350	Intershaft Bearing Spacer	18	AM351	Chain Adjuster Spacer
2	N10F	Intershaft Sprocket Nut	19	N06CN	Chain Adjuster Nut
3	SKIT30	Intershaft Sprocket	21	AM018	Drive Chain Incl. Link
4	SK03	Sprocket Key	22	SAM019	Drive Chain Connecting Link
5	BB25SAN	Intershaft Bearing (2)	23	AM348	Rear Axle
6	AM024	Bearing Flange (4)	24	N10F	Rear Wheel Retaining Nut (2)
7	SH0616C	Bearing Flange Bolt (6)	25	W102016	Rear Wheel Ret. Washer (2)
8	N06CN	Bearing Flange Bolt Nut	26	K18	Rear Wheel Key (2)
10	AM025	Intershaft Lock Collar	27	BB25SAN	Rear Axle Bearing (2)
11	GS0505C	Clutch Plate Set Screw	28	AM024	Rear Axle Bearing Flange (4)
12	AM075	Clutch Plate (2) NLA	29	SH0616C	Bearing Flange Bolt (6)
13	SS0612W	Clutch Plate Set Screw (4)	30	N06CN	Bearing Flange Bolt Nut (6)
15	B0664C	Chain Adjuster Bolt	32	AM025	Rear Axle Lock Collar (2)
16	W0620HD	Chain Adjuster Washer	33	GS0505C	Axle Lock Collar Screw (2)



STOCKMAN 07A95 GROUP 20: CLUTCH ARM COMPONENTS

Ref No.	Part No.	Description
1	SKIT131	Clutch Shaft
2	W204303	Clutch Cone Retaining Washer
3	CC2095G	Clutch Cone
4	AM026	Clutch Cone Pin
5	V01	Belt - Engine to Clutch
6	AM139Q2	Clutch Pulley
7	SKIT07	Clutch Arm
8	B0664C	Clutch Arm Pivot Bolt
9	N06CN	Clutch Arm Pivot Bolt Nut
10	W061216	Clutch Arm Pivot Bolt Washer
11	BB205215N	Clutch Bearing (2)
12	AM072	Clutch Bearing Spacer
13	NHM20X1.5T	Clutch Shaft Nut
14	AM140B	Clutch Arm Bracket
15	B0416C	Clutch Arm Bracket Bolt (4)
16	N04CN	Clutch Arm Bracket Bolt Nut (4)
16a	W041216	Clutch Arm Bracket Bolt Washer (4)
17	AM141	Clutch Arm Bracket Spacer
19	SH0512C	Clutch Arm Yoke Retaining Bolt (2)



STOCKMAN 07A95 GROUP 21: 25" MOWING ATTACHMENT COMPONENTS

Ref No.	Part No.	Description	Ref No.	Part No.	Description
1	072101H94	Cutter Housing	25	W203902	Pulley Ret. Washer (2)
	AM230	Cutter Bearing Hsng Bush (2)	26	NHM20x1.5T	Pulley Ret. Nut
2 **	AM259	Deflector	27	KIT15	Cutter Brake Incl. Pad
2a **	AM272	Deflector Spring	28	AM033I95	Cutter Brake Pad
3 **	AM273	Deflector Rod	29	PR0205	Brake Pad Pop Rivet (2)
4 **	AM274	Deflector Ratchet Plate	30	B0520C	Cutter Brake Pivot Bolt
	W041216	Deflector Bracket Washer	31	N05CN	Cutter Brake Pivot Bolt Nut
5 **	AM052E1	Deflector Bracket	32	S072103	Cutter Disc
6 **	SH0412C	Deflector Bracket Bolt (2)	33	SH0616C	Cutter Disc Ret. Bolt (4)
7 **	N04CN	Deflector Bracket Bolt Nut (2)	34	N06CN	Cutter Disc Ret. Bolt Nut (4)
11	AM036D9	Cutter Housing Roller	35	SMB137SHD	Cutter Blade - Stepped
12	AM037	Cutter Roller Shaft		SMB137AHD	Blade - Air Flow (optional)
13	CP3-225	Cutter Roller Shaft Split Pin	36	WM20S	Pulley Ret. S/P Washer
14	SKIT08	Cutter Brng Hsng c/w Guides	37	SKIT01D1	Blade Bolt & Nut Set
15	AM073	Belt Guides (2)	43	V13	Belt - Cutter to Clutch
16	B0420C	Belt Guide Bolt (2)	45	072104	Cutter Front Guard NLA
17	N04CN	Belt Guide Bolt Nut (2)	46	W051216	Cutter Guard Washer (3)
18	B0620C	Cutter Bearing Hsng Bolt (4)	47	N05CN	Cutter Guard Ret. Nut (3)
19	NF06CN	Cutter Brng Hsng Bolt Nut (4)			
20	13181	Cutter Shaft	**	SKIT66	Deflector Kit
21	SK09	Cutter Shaft Key		SKIT39	Blade, Bolt, Nut - Stepped
22	BB205215N	Cutter Shaft Bearing (2)		SKIT41	Blade, Bolt, Nut - Air Flow
23	AM029	Bearing Spacer			
24	AM030	utter Shaft Pulley			

