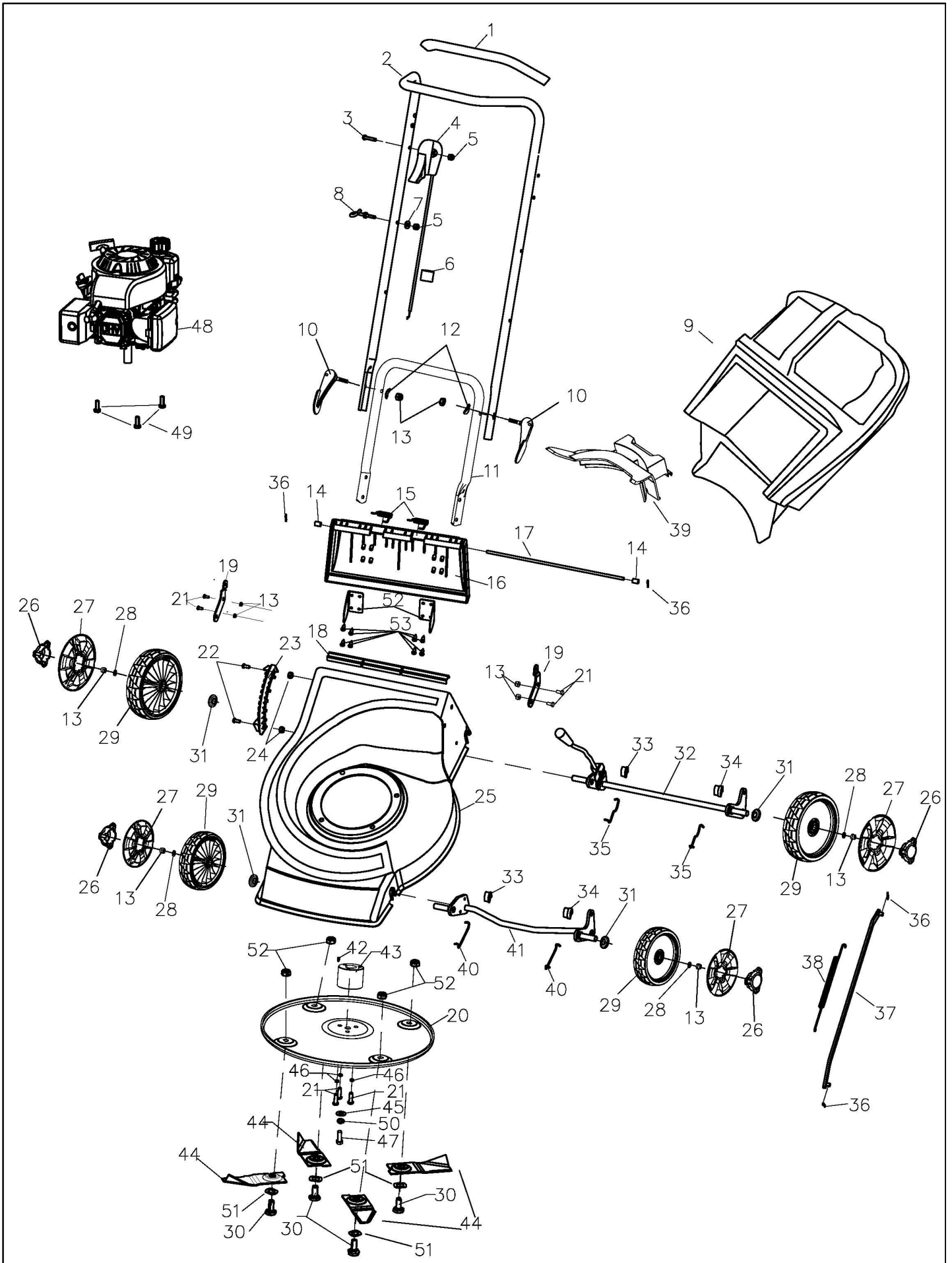


COX Professional Series



ILLUSTRATED PARTS LIST
for
CP19S PROFESSIONAL 19" STEEL BASE PUSH MOWER

Parts List CP19S—19" Steel Base Push Mower



Parts List CP19S—19" Steel Base Push Mower

Item	Part No.	Description	Qty
2	CPP13001C03S01A	Upper Handle	1
4	CPP14060TBA102A	Throttle Cable	1
6	CPP14081T020000	Cable Clip	1
8	CPP13061C05Y010	Rope Guide	1
9	CPP35000C010000	Grass Catcher	1
10	CPP13031T000000	Cam Lock	2
11	CPP13011D01S010	Lower Handle	1
12	CPP13042T01D01A	Wave Wash	2
14	CPP34031C030000	Transparent Pipe	2
15	CPP34041C01D010	Spring, Rear Flap	2
16	CPP34011C080000	Rear Flap C	1
17	CPP34021T00D010	Axle, Rear Flap	1
18	CPP34061D030000	Seal, Rear Flap	1
19	CPP34073C03Y010	Support Plate, Right	1
20	CPP34072C03Y010	Support Plate, Left	1
23	CPP23041C01Y01A	Height Adjustment Plate	1
24	CPP20022T210000	8" Wheel Cover	4
26	CPP20021T20C050	Wheel Nut Cap	4
27	CPP34081C030000	Mulching Plug	1
29	CPP20010T800000	8" Wheel	4
30a	KITCP19S	Blade & Bolt Set	2
31	CPP21053T010000	Anti-Dust Cap	4
32	CPP22300D160000	Rear Axle Assy	1
33	CPP21051C030000	Thin Sleeve	2
34	CPP21041C030000	Thick Sleeve	2
35	CPP22061C03D010	Spring W	2
37	CPP23010C05D010	Connecting Rod	1
38	CPP23021C03D010	Spring, Connecting Rod	1
40	CPP21061C03D010	Axle Clip	2
41	CPP21010C37S010	Front Axle Ass'y	1
42	CPP30051T01000A	Half-Circle Key	1
43	CPP30041C09Y01D	Adaptor	1
48	70000TCJ4010	Engine	1
50	CPP34015C030000	Clip Plate	2
54	CPP31021T01Y010	Round Disc	1

PROUDLY IMPORTED AND DISTRIBUTED BY:-

COX INDUSTRIES (AUST) PTY LTD

**70 LANDSEER STREET
ACACIA RIDGE QLD 4110**

coxmowers.com.au sales@coxmowers.com.au