

RIDE-ON MOWER 2005—2007

Models

9505G 9506J 9507J

13HP B&S C1332

9506C

13HP & 15HP B&S C1332 & C1532

9506M A10707J

13HP HONDA C1332H

A10106J A10107J

15.5HP B&S C1532



RIDE-ON MOWER 2007—2008

Models

A10807M A10808B A10808C

13HP B&S C1332U

A11007M A11008B A11008C

13HP HONDA C1332HU

READ THIS MANUAL BEFORE OPERATING MACHINE

DEATH, PERSONAL INJURY AND/OR PROPERTY DAMAGE MAY OCCUR UNLESS INSTRUCTIONS IN THIS MANUAL ARE FOLLOWED

NOTE: Bring this Manual when Service & or Warranty work is required.



OWNERS INFORMATION

COX MODEL NO: _____

COX INVENTORY CODE NO: _____

COX SERIAL NO: _____

Located on Label inside Transmission Housing

B&S ENGINE MODEL NO: _____ **TYPE:** _____ **CODE:** _____

Located on Engine refer Engine Owners Manual

HONDA ENGINE MODEL NO: _____ **SERIAL NO:** _____

Located on Engine refer Engine Owners Manual

DATE OF PURCHASE: _____

OWNERS NAME: _____

ADDRESS: _____

TOWN/CITY: _____ **STATE:** _____

**AUTHORISED COX DEALER/
DISTRIBUTOR:** _____

ADDRESS: _____

TOWN/CITY: _____ **STATE:** _____

PRE DELIVERY CHECK LIST

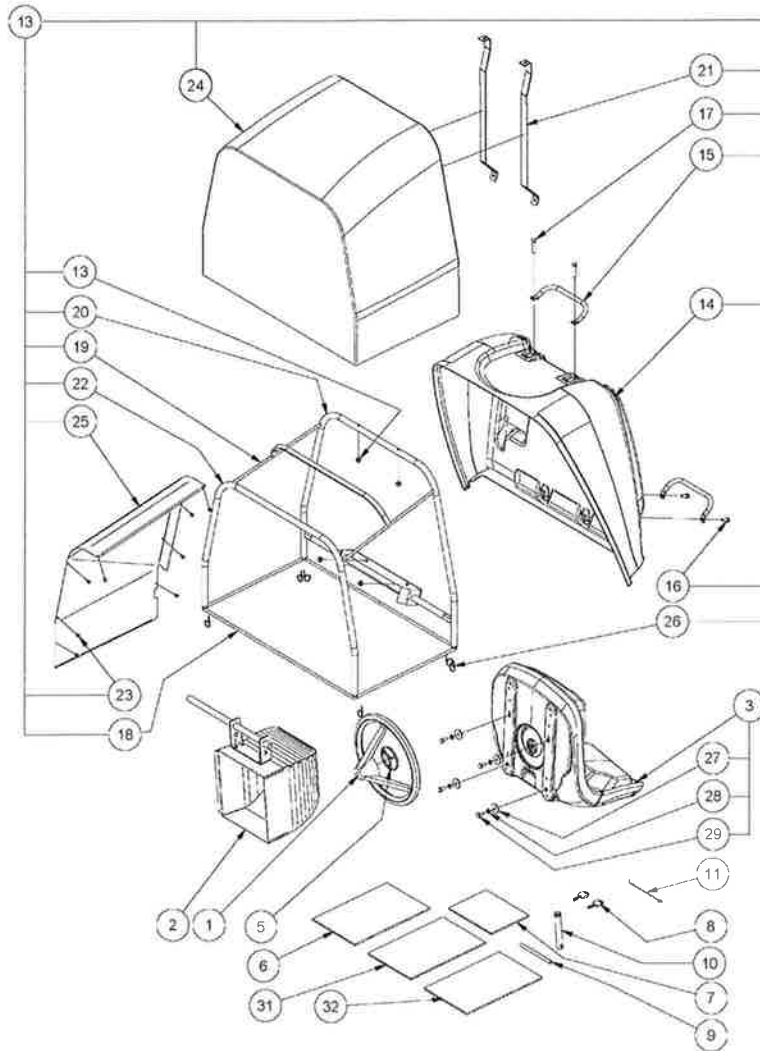
Check parts Assemble Service Instruction

ALWAYS KEEP THIS MANUAL IN A SAFE PLACE.

SAFETY INSTRUCTIONS

- Read, understand, & follow all instructions in the Owner/Operators manual.
- Know the controls and how to stop the engine quickly in an emergency.
- Allow only responsible adults, who are familiar with the instructions in this manual, to operate the machine.
- Clear the area to be mowed of loose objects such as sticks, stones, bones, wire, toys, debris, etc., which could be picked up and thrown by the blades.
- DO NOT mow whilst people, especially children, or pets are in the mowing area.
- DO NOT mow either direction on slopes beyond 15 degrees, (1 in 3.75), (27%).
- Exercise extreme caution on slopes.
- Reduce speed on slopes and in sharp turns to prevent overturning or loss of control.
- Start or stop slowly when on slopes.
- Mow up and down slopes, not across the slope.
- Stay alert for holes or bumps in the terrain and other hidden hazards.
- Use care when pulling loads-
 - a] Use only approved hitch point;
 - b] limit loads to those you can safely control;
 - c] Do not turn sharply;
 - d] use care when backing up.
- Watch out for traffic when crossing or operating the mower near roadways.
- Stop the blades rotating before crossing surfaces other than grass.
- When using attachments, never direct discharge of material toward bystanders nor allow anyone near the machine while it is in operation.
- Before leaving the operators position-
 - a] Disengage all clutches and secure cutting units;
 - b] Return drive pedal to neutral position and set the parking brake;
 - c] Stop the engine and remove the key.
- Disengage drive to attachments and stop engine-
 - a] Before refueling.
 - b] Before removing grass-catcher;
 - c] Before clearing blockages from chute;
 - d] Before checking, cleaning or working on the mower;
 - e] After striking a foreign object (check the mower for damage and make repairs before restarting and operating the equipment);
 - f] If machine starts to vibrate abnormally (check immediately).
- Disengage drive to attachments when transporting or not in use.
- A mower operator should be in good physical and mental health and not under the influence of alcohol or any drug which might impair vision, co-ordination or judgment.
- Never mow while barefoot or wearing open sandals or thongs. Wear long trousers and heavy shoes.
- It is advisable to wear suitable eye protection when operating a mower.
- Mow only in daylight or good artificial light.
- Before using, always visually inspect to see that blades, bolts and cutter assembly are not worn or damaged. Replace worn or damaged blades and bolts in sets to preserve balance.
- Check all nuts, bolts, and screws often; always be sure the mower is in safe operating condition.
- Keep safety devices (guards and switches) in place and in working order.
- Never use the mower unless the grass catcher, or guards provided by the manufacturer, are in position.
- Ensure any replacement parts used comply with the original manufacturer's recommendations and specifications.
- Replace worn or faulty silencers.
- Keep machine free of grass, leaves or other debris, excessive oil, grease, or spilt fuel. These can be a fire hazard.
- Refuel outdoors only. Do not smoke while fueling engine. Never remove the cap of the fuel tank or add petrol while the engine is running or the engine is hot. Remove fuel cap slowly to relieve any tank pressure. If fuel is spilled, do not attempt to start the engine but move machine away from the area of the spill and avoid creating any source of ignition until fuel vapors have dissipated.
- Check for fuel leaks while refueling, before and while using the mower. If a fuel leak is found, do not start or run the engine until the fuel leak is fixed and spilled fuel is wiped away.
- Do not operate engine in a confined space where exhaust fumes (carbon monoxide) can collect.
- Always mount the mower from the left or the opposite side to the discharge chute.
- Start the engine carefully with the cutting means disengaged.
- Do not over-speed the engine or alter governor settings. Excessive speed is dangerous and shortens mower life.
- Stop the engine whenever you leave the mower, even for a moment.
- Store the mower in a well-ventilated room away from naked flames such as may be found in hot water heaters.
- Do not lend or sell the mower, without the owners/operators Manual.

Loose Parts A12808L 16.5HP Rear Bagger



ITEM	PART NUMBER	DESCRIPTION	QTY
1	SW13	Steering Wheel	1
2	A128060	Deflector, Discharge, Rear, 805(32")	1
3	A122110	Seat	1
4	95112	Cushion, Bottom, Seat, Medium, Red	1
5		Steering Wheel, Cover	1
6		Manual, Owner, Ride-On Mower, Stockman 3	1
7		Warranty Card-Reply Paid	1
8	90134	Key, Ignition Switch, Vinyl Covered, Steel	2
9	AM007	Bar, Tommy, 9.5x150, Znpl	1
10	AM295	Spanner, Tube, Spark Plug, 5/8"Af, Znpl	1
11	13127	Hook, Spring Pull	1
12	A129000	Sub-Assy, Catcher, Grass, Bag, Rear, 200l	1
13	NM8NT	Nut, Hex, Nyloc, Thin, M 8, Pc6, Znpl	4
14	A102003	Cover, Catcher, Plastic, Red	1
15	14154	Handle, Front, Grass Catcher, Black	2
16	SH0825M	Screw, Hex, M 8x 20, Pc8.8, Znpl	2
17	B0840M	Bolt, Hex, M8x40, Pc8, Znpl	2
18	13312	Front, Catcher Frame, 150l	1
19	A129018	Frame, Rear, Black	1
20	A129005B	Frame, Upper, 165l, Black	1
21	A129021B	Bar, Tunnel, Top, Black	2
22	A129002B	Frame, Lower, 165l, Black	1
23	ST0808D	Screw, Hex Washer, Seal, Drill, #8-18x12, Gal	8
24	A129014	Bag, Catcher, Grass, Rear, 165l	1
25	A129061B	Deflector, Inner, Side, Black	1
26	CABLETIES	Cable Ties 100mm X 2.5 Black	6
27	W052003	Washer, Flat, Black, 5/16"X1-1/4"X3, Znpl	4
28	WS050216	Washer, Lock, Spring, 5/16"X1/8"X1/16", Znpl	4
29	SH0816M	Screw, Hex, M 8x 16, Pc8.8, Znpl	4
30	PD006	Instruct, Pre-Delivery	1
31		Manual, Engine, Owner/Operator	1

PRE-DELIVERY INSTRUCTIONS

INTRODUCTION:

The purpose of this procedure is to ensure the dealer/distributor has assembled & made the necessary checks, & adjustments, before the mower is operational, and instructed the owner in its safe operation & maintenance. This procedure begins upon receiving the crated mower and is finalised once the mower has been either sold or leaves the dealer/distributors premises. This is the minimum amount of work required, however it should not be limited to only the areas detailed in this procedure.

RESPONSIBILITY:

It is the responsibility of the dealer/distributors to ensure that before a mower is delivered to a customer, it is in perfect operational condition.

PROCEDURE:

CHECK SHIPPING CRATE & CONTENTS FOR DAMAGE

UNCRATE THE MOWER

CHECK COMPONENTS SUPPLIED IN SEAT PROTECTION BAG

Engine owners Manual	1
Owner/Operator Manual	1
Tube Spanner (AM006C1)	1
Tommy Bar (AM007)	1
Ignition Keys (AM015)	2
Spark plug tube Spanner (AM295 B&S or AM005G0 16HP Honda)	1
Spark plug Spanner 13HP Honda	
Steering Wheel (SW13)	1
Roll Pin (DP10)	1
Drive cone clearance Gauges (13126)	2
Seat Springs (13060)	2
Screws M 8X 20	2
Seat spring Washers 5/16"	2
Nuts M 8 Nyloc	2
Warranty Card	1
Pre-delivery instruction Sheet	1

REMOVE SEAT PROTECTION BAG

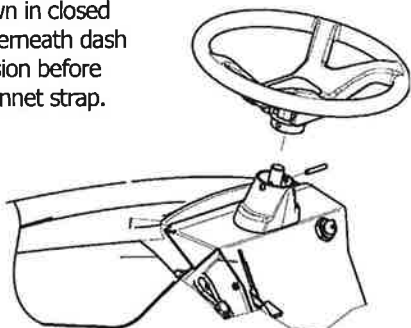
Remove the four screws, lock washers and plain washers securing the seat to the seat mount & remove the plastic bag from the seat. Install the four screws, spring washers, and plain washers, through the slots in the seat mount and adjusted the seat to the desired position using the slots provided, & tighten screws.

ASSEMBLE STEERING WHEEL TO MOWER

Roll Pin Type—To attach the steering wheel, align the hole in the steering wheel boss to the hole in the steering shaft and use a hammer and suitable punch to drive the DP10 roll pin in, through the hole in the steering shaft cover into the steering wheel and shaft. Ensure that the pin is situated centrally in the steering wheel boss and that the steering is free to turn.

Keyed Type— Remove tape attaching woodruff key to steering shaft. Remove the screw & washers attached to the steering shaft. Lubricate taper on steering shaft with grease or anti-seize. Place steering wheel with keyway aligned with woodruff key on shaft.

Bonnet shown in closed position underneath dash panel extension before attaching bonnet strap.



Keyed type steering

Assemble the screw and washers onto the shaft with 1/2" a/f socket, extension & wrench & tighten to 23Nm.

Press the steering wheel center cover into place using hand pressure only.

ASSEMBLE SEAT MOUNT & SEAT SPRINGS TO MOWER

Install the two seat springs using the screws, washers, nuts, to the brackets at the top rear of the Transmission Housing, and tighten the screws, and nuts.

Install the Seat & Mounting to the Transmission Housing using the Screws and Nuts.

CHECK TYRE PRESSURE

Before operation ensure that all tyre pressures are equal. The recommended pressure is 140 kpa (20 P.S.I.).

CHECK ENGINE OIL

Before operation ensure that engine oil level is to the full mark on the dipstick. (Refer engine owners manual for procedure & if some oil needs to be added refer Engine owners Manual for Correct Grade).

CHECK FUEL

Ensure the fuel tap at the bottom left side of fuel tank is turned to the on position before attempting to start engine. (Use unleaded fuel only).

Turn off fuel tap after use.

CHECK CLUTCH PLATE ADJUSTMENT

Engage and disengage the cutter disengage lever a few times and leave in the engaged position, this will centre the clutch arm assembly in the neutral position. Loosen the four square head set screws on the clutch plates using tube spanner (AM006C1) and tommy bar (AM007). Insert the clearance gauges supplied, one between the forward clutch plate and cone and the other between the reverse clutch plate and cone and hook them onto the intershaft. Slide both clutch plates against the clearance gauges and drive cone, tighten the set screws firmly onto the flat on the intershaft. Remove gauges.

CHECK SAFETY SWITCH OPERATION

Foot Switch - With cutter disengage lever in disengaged position, attempt to start the engine without depressing the foot switch. Engine should not start.

Disengagement Switch - While sitting on seat with foot on foot switch and cutter lever in engaged position, attempt to start the engine. Engine should not start.

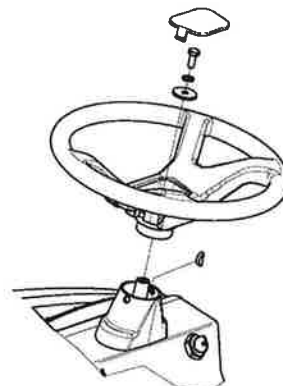
Start Switch

With Cutter Lever in disengaged position & foot switch depressed start engine.

Seat Switch - While sitting on seat with engine running engage cutter and lift weight from seat. Engine should cut out.

CHECK CUTTER BELT DISENGAGEMENT

Ensure that when the cutter belt is in the disengaged position that the belt does not overlap when squeezed together, if this occurs adjust the cutter engage lever until correct disengagement is achieved.



A12808L 16.5HP Rear Bagger Catcher Assembly



1/ Clean tubes with emery paper. Place the front frame with the short tubes in each corner on a flat surface with the short tubes up.



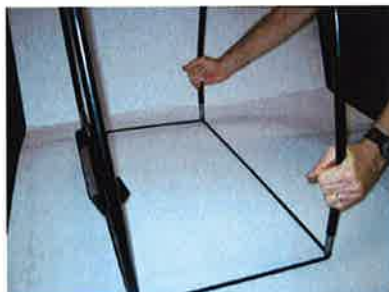
2/ Fit the upper frame over the outward leaning front frame short tubes. **Note: The two holes in the upper frame near the bent corners must face inwards.**



3/ Install the rear frame by inserting hook side of rear frame into upper frame, opposite side to tilt lever mount bracket.



4/ Insert hook side into lower frame.



5/ Fit the lower frame over the two short tubes of the front frame which lean inwards. **Note: Make sure the two holes in the sides of the lower frame**



6/ Ensure tilt lever is angled toward front frame before fitting M8x20 screws and nyloc nuts.



8/ Feed the bag over the assembled frame with the plain plastic base against the lower frame (bottom of the catcher).



9/ Turn catcher over then clip the bag onto the front frame.



10/ Using a small soldering iron melt through the mesh at the four bolt holes in the upper frame to suit the handle bolts.



11/ Fit braces as shown.

12/ Place the catcher cover over the assembled bag and frame, line up bolt holes. Using the two M8x40 screws & nyloc nuts fit one handle to the rear of the catcher with the handle holes facing down and handle leaning toward the rear.



13/ Using the two M8x20 screws and nyloc nuts fit the other handle to the front of the catcher with the handle holes facing forward. Tighten all four handle screws.

14/ Use the cable ties in the top & bottom corners if necessary to close any gaps which may occur between the bag and frame.

15/ Install catcher onto the machine and adjust the mounting brackets so the top front edge of the catcher bag makes contact with the top lip of the mounting panel when the catcher is closed.

OPERATING INSTRUCTIONS

IMPORTANT

RECOMMENDED FUEL

Unleaded fuel is recommended by all manufacturers of engines fitted to Cox products.

DRIVE PRESSURE

Ensure when applying pressure to the drive pedal the wheels start rotating, failure to adhere to this will result in clutch plate and clutch cone damage.

SAFETY SWITCHES

Before operating machine, ensure that all safety switches are operating correctly. Do not operate machine with faulty, missing or damaged safety switches.

STARTING MACHINE

When starting machine, place right heel on foot switch located on rear of footrest. Ensure that cutter is disengaged, otherwise electric starter motor will not engage. If engine is cold move engine speed control to choke start position and return to desired engine speed setting when engine starts. Do not attempt to operate engine with engine speed control lever in choke position. (Note electric start engines fitted with recoil can be manually started with cutter disengaged and ignition on).

BLADE WARNING

Do not use mowing attachment with broken or bent blades, damaged or worn bolts and nuts or damaged cutter disc, otherwise damage and premature wear will result from vibration. Replace blades, bolts and nuts only in pairs to maintain correct balance. Recommended blade nut torque is 36-40Nm. Do not over tighten.

Keep both feet and hands clear of the mowing attachment at all times while attempting to start or operate the machine.

WARNING

DO NOT OPERATE WITHOUT MOWING ATTACHMENT DEFLECTOR FITTED & DOWN OR DO NOT OPERATE WITHOUT GRASS CATCHER FITTED.

Safety footwear is recommended when operating machine. Mount and dismount only from left hand side of machine. Reference to left or right hand side of machine is determined by sitting in the operating position on the machine. Ensure machine has park brake engaged when attempting to start engine. Never allow engine revs to exceed more than 3600 RPM.

TO OPERATE

BEFORE STARTING/STOPPING:

See Engine Maintenance/Instruction Sheet. When stopping engine, disengage cutter, return engine speed control to slow position and switch off

DISENGAGING MOWING ATTACHMENT:

The cutter disengaging lever is situated on the right hand side by the steering column. Before starting, disengage mowing attachment by pulling lever fully back towards the operator.

For safety it is advisable at all times, other than when mowing, that the mowing attachment be kept in the disengaged position.

TO DRIVE FORWARD/REVERSE:

Engine speed is regulated by the engine speed control, set engine speed control to desired engine power. Press down on the forward section of the drive pedal for forward movement, on the rear of the drive pedal for reverse. The amount of pressure can be used to control the ground speed, especially in heavier conditions. When operating the mower on slopes greater than 10 degrees but less than 15 degrees for a prolonged period, you may experience minor clutch fade, should this occur, vary your mowing style eg: mow around some flat areas, then the slope followed by the flat area again. This will allow the drive to cool before travelling up the slope again.

N.B. Ensure that when pressure is applied to the drive pedal wheels are rotating or damage will occur to clutch plates.

MANOEUVRING:

Owing to the heel and toe type action of the drive pedal, it is possible to take the machine straight from forward to reverse and vice versa. This instant forward and reverse operation makes the machine very manoeuvrable and the sharpest turns can be negotiated easily and quickly.

TO BRAKE (WITH ENGINE RUNNING):

The drive pedal may be used to stop the machine. If travelling forward push the pedal into reverse until machine stops, then bring the pedal back to neutral position or vice versa if travelling in reverse. Should a drive failure occur during operation use the brake pedal situated on the left hand side and forward of where your foot would rest during normal operation.

TO BRAKE (WITH ENGINE STOPPED):

Use foot brake pedal only. Damage to drive cone will occur if drive pedal is used to brake the machine with the engine stopped.

PARKING AND TRANSPORTATION BRAKE:

Depress the lever protruding out of the left hand mudguard downward and shift the lever to the left to engage the park brake. Depress and shift to the right to release. Do not engage parking brake unless the machine has completely stopped.

Do not attempt to drive with park brake engaged damage will occur to clutch plates and or large drive sprockets.

CUTTING HEIGHT ADJUSTMENT:

The height adjustment lever is located on the left hand side of the machine and may be altered to suit varying conditions, while the machine is in motion.

NOTE: When mowing slopes, keep drive pedal in forward or reverse, depending on direction of travel. The low gearing will prevent it from picking up excessive speed. If very steep it may be necessary to slow engine speed slightly and /or, apply light drive pedal pressure to the opposite drive direction. i.e. move drive pedal into reverse when going forward down slope or into forward when reversing down slope.

AVOID HOLDING MACHINE STATIONARY ON SLOPES USING DRIVE PEDAL WITH ENGINE RUNNING AS DAMAGE WILL OCCUR TO CLUTCH PLATES.

MAINTENANCE INSTRUCTIONS

It is the owner's responsibility to ensure that all-periodical checks, necessary adjustments, services and repairs are carried out.

STOP ENGINE - Never attempt any maintenance with the engine running, remove spark plug lead and ensure the blades have stopped rotating.

Before servicing, disconnect spark plug wire and ground it, disconnect battery at negative terminal, to prevent accidental starting.

1. OIL CHANGING & FILTER REPLACEMENT (ENGINE): See Engine Maintenance/Instructions Sheet and carry out as per Engine Manufacturers Recommendations.

SERVICING ENGINE AIR CLEANER FOAM PRE-CLEANER— See engine owners manual for correct method to check and service engine air cleaner foam pre-cleaner.

2. LUBRICATION OF MACHINE: Lubrication of machine must be carried out every 25 hours of operation or once a month, whichever occurs first. More frequently when operated under adverse conditions.

A. OILING: A few drops of oil should be placed at the following points: Steering linkage, disengaging linkages, height adjustment mechanism, pivot bolt and linkages on clutch arm and clutch pedal.

B. CHAIN: Use only chain lube for lubrication of the drive and steering chains.

C. GREASE POINTS: Grease nipples are located on top of the front wheel stub axle.

Under no circumstances allow grease or oil to come into contact with the Drive Cone or Clutch Plates. Should this problem occur, clean off immediately with petrol whilst surface areas are cool and allow to dry before operating machine.

3. TO CHECK BLADES: Stop engine. Remove spark plug lead. Side Discharge Only, lift deflector and height adjustment control to highest position. If necessary simply remove the blade bolt and nut using a suitable spanner and replace worn parts.

4. ENGINE TO CLUTCH VEE BELT ADJUSTMENT: Loosen the four engine mounting bolts. Move engine forward and adjust belt firmly. Do not over tension belt. While maintaining tension on the engine re-tighten bolts. Check belt tension at machine service period (25hrs) or more frequently under heavy mowing conditions.

5. CLUTCH TO CUTTER VEE BELT ADJUSTMENT: Tension is automatically adjusted by the belt tensioning springs.

6. CUTTER HEIGHT ADJUSTMENT: If the Mowing Attachment can not be positioned to give a satisfactory grass cut height using the available notches on the chassis the adjustable link can be used to raise the Mowing Attachment to the desired height. Position the mower on a smooth level surface and engage the mowing attachment, lock the park brake on, and lower the Mowing Attachment to the notch above the desired cut height. Place equal height spacers of the desired height under the mowing attachment that can support the mowing attachments weight and lower the Mowing Attachment onto them. Loosen the 2 Screws located together on the front of the Rear Link located below the front of the left foot rest. Push the Rear Link rearwards until it stops and retighten the 2 screws. Adjust the rear lifting link located on the middle rear of the mowing attachment by tightening the nut until it just lifts the rear of the mowing attachment of the spacers. Lift the Mowing attachment off the spacers and remove the spacers and check the cut height is as desired and the deck is level to slightly higher (3–5 mm) at the back. Adjust height again if required.

7. CUTTER BRAKE ADJUSTMENT: With disengagement handle in engaged position and mowing attachment in low cut, normal clearance between cutter head pulley and cutter head brake pad is approximately 3mm (1/8"). To adjust clearance, remove 'R' pin from brake pull rod, adjust to give required clearance, replace brake pull rod and 'R' pin. Check operation after adjustment.

8. CLUTCH PLATE ADJUSTMENT: Periodically it will be found necessary to adjust the clutch plates as the clutch cone wears. Carry out this operation, with engine off and cutter in the engaged position. Engage and disengage the cutter lever a few times and leave in the engaged position, this will centre the clutch arm assembly into the neutral position. Loosen the four square head set screws on the clutch plates using tube spanner (AM006C1) and tommy bar (AM007). Insert the clearance gauges supplied, one between the forward clutch plate and cone and the other between the reverse clutch plate and cone and hook them onto the intershaft. Slide both clutch plates against the clearance gauges and clutch cone, tighten the set screws firmly onto the flat on the intershaft. Remove gauges.

9. CUTTER DISENGAGING ADJUSTMENT: With the engine switched off, engage the mowing attachment, then fully lower. Place a straight edge vertically against the front of the front axle beam and in line with the disengagement lever. Measure the distance between the straight edge and the 8mm dia pin fitted with the small 'R' pin for the threaded adjuster. Disengage mowing attachment and using the same method, check the new distance. The difference should be 20 – 22mm. Engage mowing attachment, remove 'R' pin and adjust threaded adjuster accordingly. Install 'R' pin and re-check measurement. Due to normal wear in clutch to cutter vee belt, the cutter disengagement lever will move lower and touch the foot rest. When this occurs the amount of travel will need to be re-adjusted. If a new vee belt is installed the above settings will apply.

Start engine and raise cutter to full height stop, cutter belt should not engage. If this occurs switch off engine, engage cutter then screw adjuster out 1 – 2 turns then retest.

10. DRIVE CHAIN: Machines are fitted with automatic chain adjusters. No adjustment is required. Replace chain when chain has sagged enough to expose half the depth of the teeth on the bottom of the large sprocket. Failure to replace worn chain will cause premature wear of sprockets.

11. TO ADJUST STEERING CHAIN: Adjust chain by loosening the four bolts which hold the steering idler shaft mounting brackets (AM255) in position, slide forward to tension chain then retighten bolts.

12. TO REMOVE MOWING ATTACHMENT: Fully lower mowing attachment and engage, remove weight compensating spring, remove 'R' pin from rear lifting link and disconnect, remove 'R' pin from cutter brake adjusting rod and disconnect, disengage mowing attachment, remove belt, remove front pivot pin, Turn steering wheel to the left to slide out mowing attachment. To refit, reverse the above.

13. TYRE PRESSURE: 140 Kpa (20.P.S.I.) approximately front and rear. Uneven pressure can give an uneven finish when mowing and may cause damage to tyres and/or tubes.

14. BATTERY MAINTENANCE: When not in use, a battery discharges by as much as 1% a day, more when the climate is warm. To make up for this loss, a boosting charge should be given once a month. Disconnect battery terminals to charge, then allow to stand minimum 1/2hr before re-connecting (re-check electrolyte level). If a battery is not used for a period of more than three (3) months, the terminals should be disconnected and trickle charged at two (2) amps for two (2) hours once every three (3) months or before use.

15. SEAT ADJUSTMENT: Loosen four seat mounting bolts and slide seat into desired position in slots and re-tighten bolts.

16. REPLACE DRIVE CHAIN: Engage park brake, jack up rear of machine, and remove L/H wheel. Push chain tensioner arms, one at a time, away from chain and using a suitable spanner tighten pivot bolt lock nuts to hold them out. Release park brake then turn rear axle to bring chain into a suitable position for removal of the chain connecting link. Remove connecting link and chain. Inspect both sprockets for wear or damage, replace if necessary. Install new chain and connecting link with the link clip between the wheel and chain. Release pivot arm nuts until arm moves freely back to chain. Engage park brake, install wheel and lower machine.

17. CLEANING AND POLISHING POLYETHYLENE BONNET AND REAR MUDGUARD: To keep scratches on bonnet and mudguard to minimum, do not rub or brush off with bare hands, use a soft cloth or a light flow of compressed air. For dirt, wash with a steady stream of water only (no detergent), then blow off excess water with air. To polish remove excess dust or dirt. When surface is dry, spray on an automotive type plastic preservative and leave on for 30 to 60 seconds. Using a dry soft cloth (i.e. cheesecloth) wipe off to bring up lustre.

GENUINE SPARE PARTS: Always use Genuine Cox Factory Made Spare Parts. Use of non-genuine COX spares will void your warranty.

SAFETY FIRST: The use of any mechanical device can cause injury if incorrect procedures are used. Please ensure that all family members of intended operators read safety section of this manual thoroughly.

TORQUE SETTINGS

1/4" UNC BOLT/NUT	10Nm (84lbf in)
5/16" UNC BOLT/NUT	20Nm (180lbf in)
3/8" UNC BOLT/NUT	36Nm (27lbf ft)
7/16" UNF BOLT	68Nm (50lbf ft)
6mm BOLT/NUT	9Nm (80lbf in)
20mm NUT	100Nm (74lbf ft)
5/8" UNF NUT	100Nm (74lbf ft)

MAINTENANCE SCHEDULE

BEFORE EACH USE

Check engine oil level, adjust if required
Check engine air cleaner foam pre-cleaner, service if required
Check engine rotating screen/finger guard, clean if required
Check operation of safety switches, service if required
Check foot brake operation, adjust if required.

Check tyre pressures, adjust if required
Check for loose fasteners, tighten if required
Lubricate stub axles
Check mowing attachment cutter blades, bolts, nuts, disc/s, housing, and guards for wear or damage, replace if required

BEFORE STORAGE

Change engine oil - Clean machine - Lubricate as per required

EVERY 5 HOURS

Check engine oil level, adjust if required
Check engine air cleaner foam pre-cleaner, service if req.
Check engine rotating screen/finger guard, clean if required
Check operation of safety switches, service if required
Check foot brake operation, adjust if required.

Check tyre pressures, adjust if required
Check for loose fasteners, tighten if required
Lubricate stub axles
Check mowing attachment cutter blades, bolts, nuts, disc/s, housing, and guards for wear or damage, replace if required

1 MONTH OR 5 HOURS WHICH EVER OCCURS FIRST

Change engine oil
Check engine air cleaner foam pre-cleaner, service if required
Check engine rotating screen/finger guard, clean if required
Check foot brake operation, adjust if required
Check operation of safety switches, service if required
Check tyre pressures, adjust if required
Lubricate stub axles

Check mowing attachment cutter blades, bolts, nuts, disc/s, housing, and guards for damage, replace if required
Check clutch arm action, adjust if required
Check and adjust engine to clutch vee belt if required..
Check for loose fasteners, tighten if required
Check clutch to cutter vee belt and adjust cutter housing level if required

DATE / / HOURS.....DEALER.....

3 MONTH OR 25 HOURS WHICH EVER OCCURS FIRST

Change engine oil if operating under heavy load or high ambient temperature
Check engine air cleaner foam pre-cleaner, service if required *
Check engine rotating screen/finger guard, clean if required *
Check foot brake operation, adjust if required
Check operation of safety switches and replace if required
Check tyre pressures, adjust if required

Lubricate stub axles
Check mowing attachment cutter blades, bolts, nuts, disc/s, housing, and guards for wear or damage, replace if required
Check and adjust engine to clutch vee belt if required..
Check battery condition, service if required
Check clutch to cutter vee belt and adjust cutter housing level if required
Check for loose fasteners, tighten if required

*Service more often under dusty conditions, or where air borne debris is present

DATE / / HOURS.....CUSTOMER.....

6 MONTH OR 50 HOURS WHICH EVER OCCURS FIRST

Change engine oil if operating under heavy load or high ambient temperature
Check engine air cleaner foam pre-cleaner, service if required *
Check engine rotating screen/finger guard, clean if required *
Check foot brake operation, adjust if required
Check operation of safety switches and replace if required
Check tyre pressures, adjust if required
Lubricate stub axles

Check mowing attachment cutter blades, bolts, nuts, disc/s, housing, and guards for wear or damage, replace if required
Check for loose fasteners, tighten if required
Check and adjust engine to clutch vee belt if required..
Check battery condition, service if required
Check clutch to cutter vee belt and adjust cutter housing level if required

*Service more often under dusty conditions, or where air borne debris is present

DATE / / HOURS.....DEALER.....

9 MONTHS OR 75 HOURS WHICH EVER OCCURS FIRST

Change engine oil if operating under heavy load or high ambient temperature
Check engine air cleaner foam pre-cleaner, service if required *
Check engine rotating screen/finger guard, clean if required *
Check foot brake operation, adjust if required
Check operation of safety switches and replace if required
Check tyre pressures, adjust if required
Lubricate stub axles
Check mowing attachment cutter blades, bolts, nuts, disc/s, housing ,

and guards for wear or damage, replace if required
Check for loose fasteners, tighten if required
Check battery condition, service if required
Check clutch to cutter vee belt and adjust cutter housing level if required
Check and adjust engine to clutch vee belt if required..

*Service more often under dusty conditions, or where air borne debris is present

DATE / / HOURS.....CUSTOMER/DEALER.....

12 MONTHS OR 100 HOURS WHICH EVER OCCURS FIRST

Change engine oil filter Change engine oil
Check engine spark plug, clean, adjust, or replace if required
If fitted clean engine exhaust spark arrester
Check engine air cleaner foam pre-cleaner , service if required *
Check engine air cleaner cartridge, service if required*
Clean engine cooling system*
Check clutch arm action, adjust if required
Replace in-line fuel filter
Check foot brake operation and lining for ware, adjust or replace if req
Lubricate stub axles
Check for loose fasteners, tighten if required
Check operation of safety switches, service if required
Check tyre pressures, adjust if required

Check drive chain and sprockets for wear, replace if required
Check steering chain an sprockets or wear, adjust if required
Check mowing attachment cutter blades, bolts, nuts, disc/s, housing, and guards for wear or damage, replace if required
Check clutch arm action, adjust if required
Re-tension rear wheel retaining nut/s
Check battery condition, service if required
Check drive clutch plates and cone for wear or damage, adjust or service if required
Check belts for wear or damage, replace if required
Check and adjust engine to clutch vee belt if required..
Check clutch to cutter vee belt and adjust cutter housing level if required

*Service more often under dusty conditions, or where air borne debris is present

DATE / / HOURS.....DEALER.....

15 MONTHS OR 125 HOURS WHICH EVER OCCURS FIRST

Change engine oil if operating under heavy load or high ambient temperature
Check engine air cleaner foam pre-cleaner, service if required *
Check engine rotating screen/finger guard, clean if required *
Check operation of safety switches and replace if required
Check foot brake operation, adjust if required
Lubricate stub axles
Check tyre pressures, adjust if required
Check battery condition, service if required

Check mowing attachment cutter blades, bolts, nuts, disc/s, housing, and guards for wear or damage, replace if required
Check for loose fasteners, tighten if required
Check clutch to cutter vee belt and adjust cutter housing level if required
Check and adjust engine to clutch vee belt if required..

*Service more often under dusty conditions, or where air borne debris is present

DATE / / HOURS.....CUSTOMER/DEALER.....

18 MONTHS OR 150 HOURS WHICH EVER OCCURS FIRST

Change engine oil
If fitted clean engine exhaust spark arrester
Check engine air cleaner foam pre-cleaner , service if required *
Check engine rotating screen/finger guard , clean if required *
Check foot brake operation and lining for ware, adjust or replace if required
Check operation of safety switches, service if required
Check tyre pressures, adjust if required
Lubricate stub axles
Check steering chain an sprockets or wear, adjust if required
Check mowing attachment cutter blades, bolts, nuts, disc/s, housing, and guards for wear or damage, replace if required
Check belts for wear or damage, replace if required
Check drive chain and sprockets for wear, replace if required

If fitted check mowing attachment brake pad for wear, replace if required
Check drive clutch plates and cone for wear or damage, adjust or service if required
Check clutch arm action, adjust if required
Check battery condition, service if required
Check for loose fasteners, tighten if required
Check and adjust engine to clutch vee belt if required..
Check clutch to cutter vee belt and adjust cutter housing level if required

*Service more often under dusty conditions, or where air borne debris is present

DATE / / HOURS.....DEALER.....

21 MONTHS OR 175 HOURS WHICH EVER OCCURS FIRST

Change engine oil if operating under heavy load or high ambient temperature
Check engine air cleaner foam pre-cleaner, service if required *
Check engine rotating screen/finger guard, clean if required *
Check foot brake operation, adjust if required
Check operation of safety switches and replace if required
Check tyre pressures, adjust if required
Lubricate stub axles

Check mowing attachment cutter blades, bolts, nuts, disc/s, housing , and guards for wear or damage, replace if required
Check battery condition, service if required
Check for loose fasteners, tighten if required
Check clutch to cutter vee belt and adjust cutter housing level if required
Check and adjust engine to clutch vee belt if required..

*Service more often under dusty conditions, or where air borne debris is present

DATE / / HOURS.....CUSTOMER/DEALER.....

24 MONTHS OR 200 HOURS WHICH EVER OCCURS FIRST

Replace engine oil filter
Change engine oil
Check engine spark plug, clean, adjust, or replace if required
If fitted clean engine exhaust spark arrestor
Check engine air cleaner foam pre-cleaner , service if required *
Check engine air cleaner cartridge, service if required
Clean engine cooling system*
Check foot brake operation and lining for ware, adjust or replace if required
Check operation of safety switches, service if required
Check tyre pressures, adjust if required
Lubricate stub axles
Check steering chain an sprockets or wear, adjust if required

Check mowing attachment cutter blades, bolts, nuts, disc/s, housing, and guards for wear or damage, replace if required
Check belts for wear or damage, replace if required
Check drive chain and sprockets for wear, replace if required
Check drive dutch plates and cone for wear or damage, adjust or service if required
Check clutch arm action, adjust if required
Check battery condition, service if required
Check for loose fasteners, tighten if required
Check and adjust engine to clutch vee belt if required..
Check clutch to cutter vee belt and adjust cutter housing level if required

*Service more often under dusty conditions, or where air borne debris is present

DATE / / HOURS.....DEALER.....

27 MONTHS OR 225 HOURS WHICH EVER OCCURS FIRST

Change engine oil if operating under heavy load or high ambient temperature
Check engine air cleaner foam pre-cleaner, service if required *
Check engine rotating screen/finger guard, clean if required *
Check foot brake operation, adjust if required
Check operation of safety switches and replace if required
Check tyre pressures, adjust if required
Lubricate stub axles

Check mowing attachment cutter blades, bolts, nuts, disc/s, housing , and guards for wear or damage, replace if required
Check battery condition, service if required
Check for loose fasteners, tighten if required
Check clutch to cutter vee belt and adjust cutter housing level if required
Check and adjust engine to clutch vee belt if required..

*Service more often under dusty conditions, or where air borne debris is present

DATE / / HOURS.....CUSTOMER/DEALER.....

30 MONTHS OR 250 HOURS WHICH EVER OCCURS FIRST

Change engine oil
If fitted clean engine exhaust spark arrestor
Check engine air cleaner foam pre-cleaner , service if required *
Check engine rotating screen/finger guard , dean if required *
Check foot brake operation and lining for ware, adjust or replace if required
Check operation of safety switches, service if required
Check tyre pressures, adjust if required
Lubricate stub axles
Check steering chain an sprockets or wear, adjust if required
Check mowing attachment cutter blades, bolts, nuts, disc/s, housing, and guards for wear or damage, replace if required

Check belts for wear or damage, replace if required
Check drive chain and sprockets for wear, replace if required
Check drive dutch plates and cone for wear or damage, adjust or service if required
Check clutch arm action, adjust if required
Check battery condition, service if required
Check for loose fasteners, tighten if required
Check and adjust engine to clutch vee belt if required..
Check clutch to cutter vee belt and adjust cutter housing level if required

*Service more often under dusty conditions, or where air borne debris is present

DATE / / HOURS.....DEALER.....

33 MONTHS OR 275 HOURS WHICH EVER OCCURS FIRST

- Change engine oil if operating under heavy load or high ambient temperature
- Check engine air cleaner foam pre-cleaner, service if required *
- Check engine rotating screen/finger guard, clean if required *
- Check foot brake operation, adjust if required
- Check operation of safety switches and replace if required
- Check tyre pressures, adjust if required
- Lubricate stub axles
- Check mowing attachment cutter blades, bolts, nuts, disc/s, housing, and guards for wear or damage, replace if required
- Check battery condition, service if required
- Check for loose fasteners, tighten if required
- Check clutch to cutter vee belt and adjust cutter housing level if required
- Check and adjust engine to clutch vee belt if required..

*Service more often under dusty conditions, or where air borne debris is present

DATE / / HOURS.....CUSTOMER/DEALER.....

36 MONTHS OR 300 HOURS WHICH EVER OCCURS FIRST

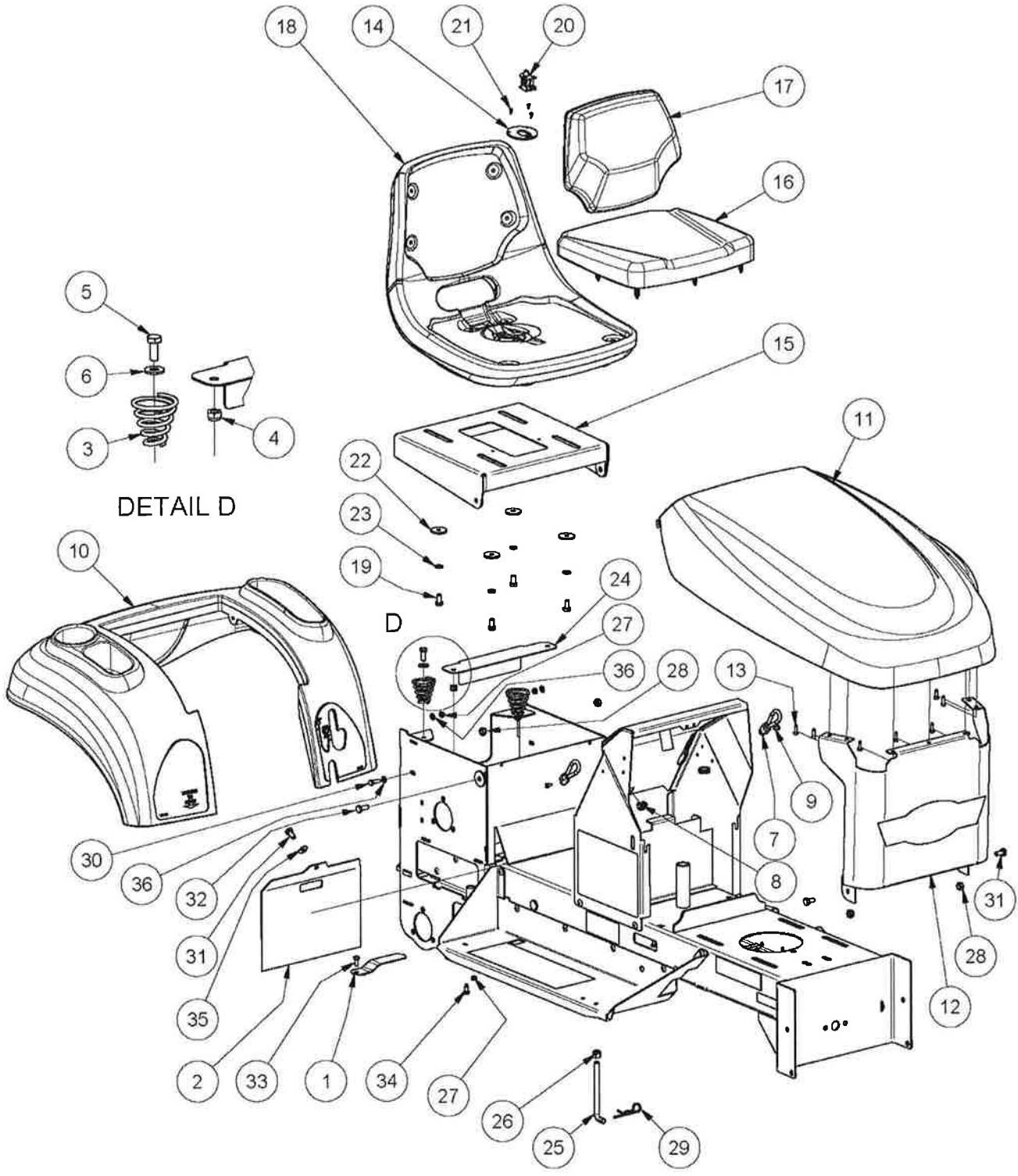
- Replace engine oil filter
- Change engine oil
- Check engine spark plug, clean, adjust, or replace if required
- If fitted clean engine exhaust spark arrestor
- Check engine air cleaner foam pre-cleaner, service if required *
- Check engine air cleaner cartridge, service if required
- Clean engine cooling system*
- Check foot brake operation and lining for wear, adjust or replace if required
- Check operation of safety switches, service if required
- Check tyre pressures, adjust if required
- Lubricate stub axles
- Check steering chain and sprockets or wear, adjust if required
- Check mowing attachment cutter blades, bolts, nuts, disc/s, housing, and guards for wear or damage, replace if required
- Check belts for wear or damage, replace if required
- Check drive chain and sprockets for wear, replace if required
- Check drive clutch plates and cone for wear or damage, adjust or service if required
- Check clutch arm action, adjust if required
- Check battery condition, service if required
- Check for loose fasteners, tighten if required
- Check and adjust engine to clutch vee belt if required..
- Check clutch to cutter vee belt and adjust cutter housing level if required

*Service more often under dusty conditions, or where air borne debris is present

DATE / / HOURS.....DEALER.....

We are proud that you have purchased a Cox product and urge you to follow these instructions to obtain the maximum life for your machine. If in doubt check with your supplier.

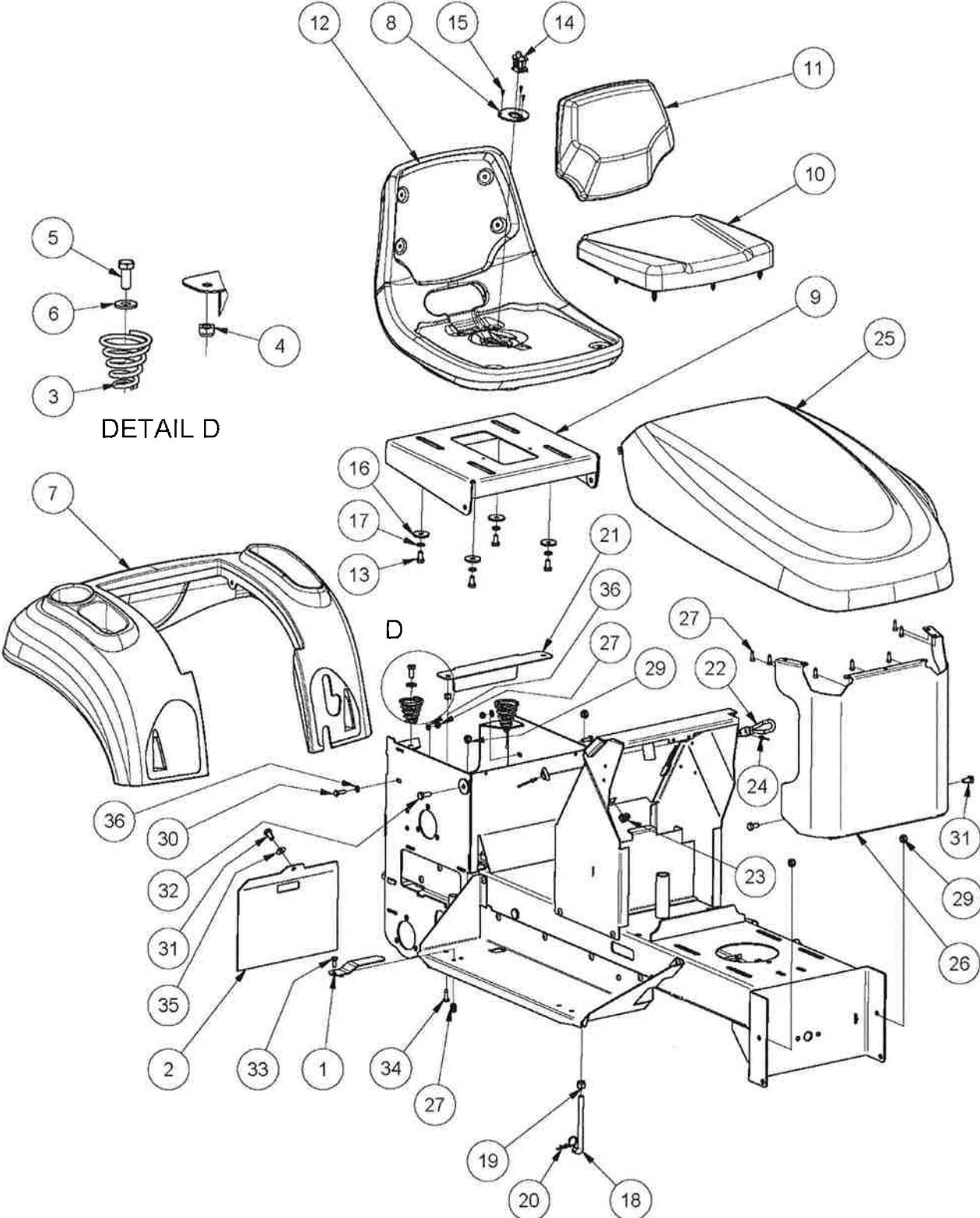
Models 9505G 9506C 9506J 9507J 13HP B&S ONLY Parts List :- Body Components



Models 9505G 9506C 9506J 9507J 13HP B&S ONLY Parts List :- Body Components

ITEM	PART NUMBER	DESCRIPTION	QTY
1	13096	Depressor, Foot Switch	1
2	95021	Door, Console	1
3	13060	Seat Spring	2
4	NM8NT	Nut	2
5	SH0820M	Screw	2
6	W05M202	Washer, Flat	2
7	96114	Strap, Bonnet, Bunji Loop	2
8	NCM8X3.2	Nut, Cage	1
9	PR04M4.8	Rivet	2
10	95044	Mudguard, Model 95, Red	1
11	95043	Cowl, Bonnet, Red	1
12	95072	Nose, Bonnet, Red	1
13	SPPK5X16	Screw, Pan	7
14	90112	Seat Switch Mounting Plate	1
15	95008	Seat, Mount	1
16	95112	Cushion, Bottom, Seat	1
17	95113	Seat, Backrest	1
18	9611006E	Pan, Seat, Medium	1
19	SH0816M	Screw	4
20	SP1PNC5M	Switch, Plunger	1
21	SPST04CX0.37	Screw, Pan	3
22	W052003	Washer, Flat	4
23	WS050216	Washer, Lock, Spring	4
24	95118	Bracket, Infill, Rear, Red	1
25	AM185BO	Cutter Lifting Link	1
26	NF06CN	Nut	1
27	NM6NT	Nut	3
28	NM8NT	Nut	4
29	RP02	Pin, 'R'	1
30	SH0620M	Screw	2
31	SH0816M	Screw	3
32	SH0820M	Screw	2
33	SPM6X16	Screw, Pan	1
34	SPPK6X16	Screw, Pan	2
35	W051218	Washer, Flat	1
36	W06MN	Washer, Flat	4

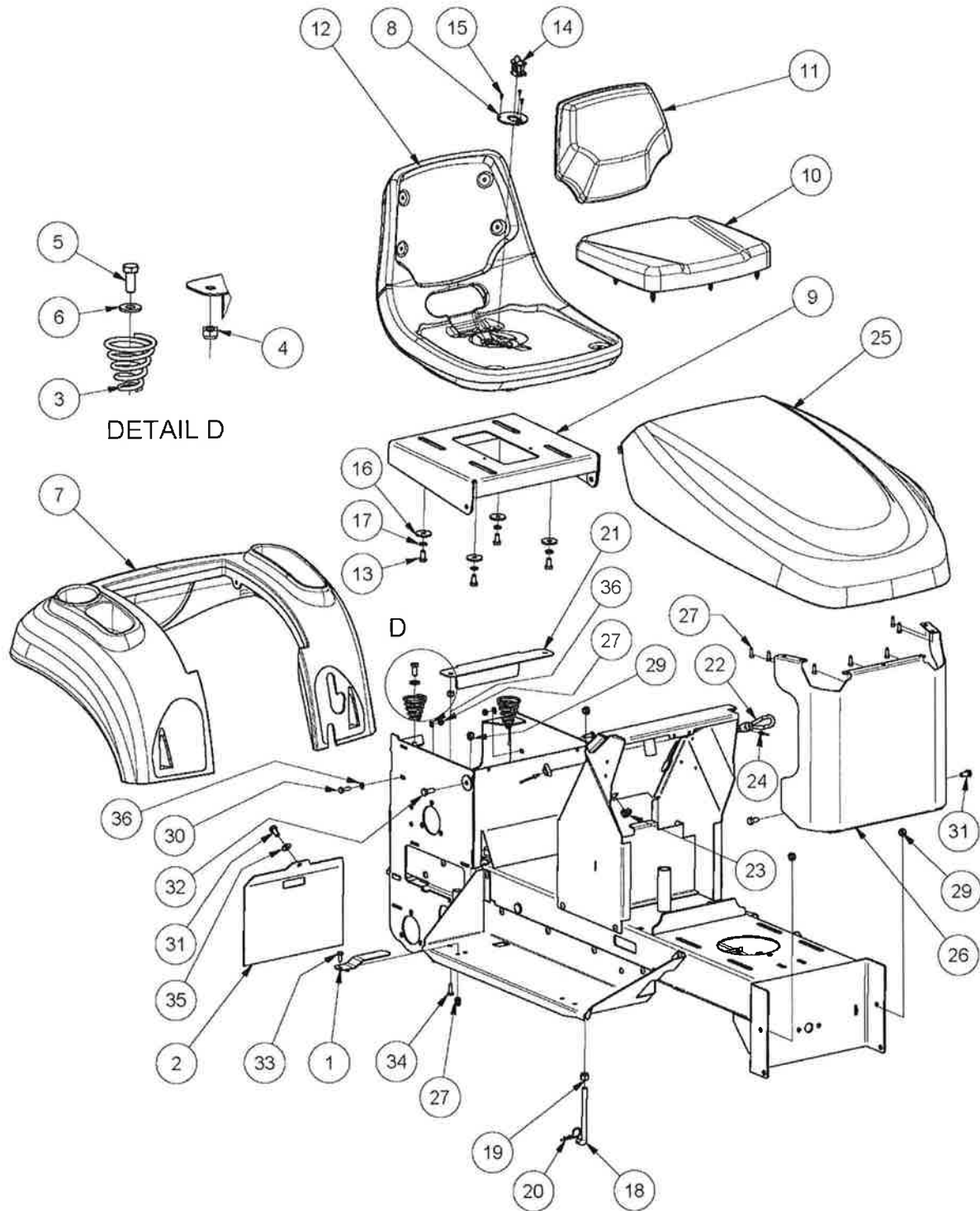
Models 9506M & A10107J 13HP HONDA ONLY:- Body Components



Models 9506M & A10707J 13HP HONDA ONLY:- Body Components

ITEM	PART NUMBER	DESCRIPTION	QTY
1	95021	Door, Console	1
2	13060	Seat Spring	2
3	NM8NT	Nut	2
4	SH0820M	Screw	2
5	W05M202	Washer, Flat	2
6	AM185BO	Cutter Lifting Link	1
7	NF06CN	Nut	1
8	RP03	Pin, 'R'	1
9	95044	Mudguard, Model 95, Red	1
10	90112	Seat Switch Mounting Plate	1
11	95008	Seat, Mount, Model 95, Red	1
12	95112	Cushion, Bottom, Seat, Medium, Red	1
13	95113	Seat, Backrest, Assy, Red	1
14	9611006E	Pan, Seat, Medium	1
15	SH0816M	Screw	4
16	SP1PNCSM	Switch, Plunger	1
17	SPST04CX0.37	Screw, Pan	3
18	W052003	Washer, Flat	4
19	WS050216	Washer, Lock, Spring	4
20	95118	Bracket, Infill, Rear, Red	1
21	A107014R	Stand, Tank, Fuel, Red	1
22	96114	Strap, Bonnet, Bunji_Loop	2
23	PR04M4.8	Rivet	2
24	95043	Cowl, Bonnet, Red	1
25	A107073R	Nose, Bonnet, C1332H, Red	1
26	SPPK5X16	Screw, Pan	7
27	NM8NT	Nut	4
28	SH0616M	Screw	2
29	SH0620M	Screw	2
30	SH0816M	Screw	3
31	SH0820M	Screw	2
32	SPM5x12	Screw, Pan	2
33	SPPK6X20	Screw, Pan	2
34	W040818	Washer, Flat	2
35	W051218	Washer, Flat	1
36	W06MN	Washer, Flat	4
37	WS040816	Washer, Lock, Spring	2

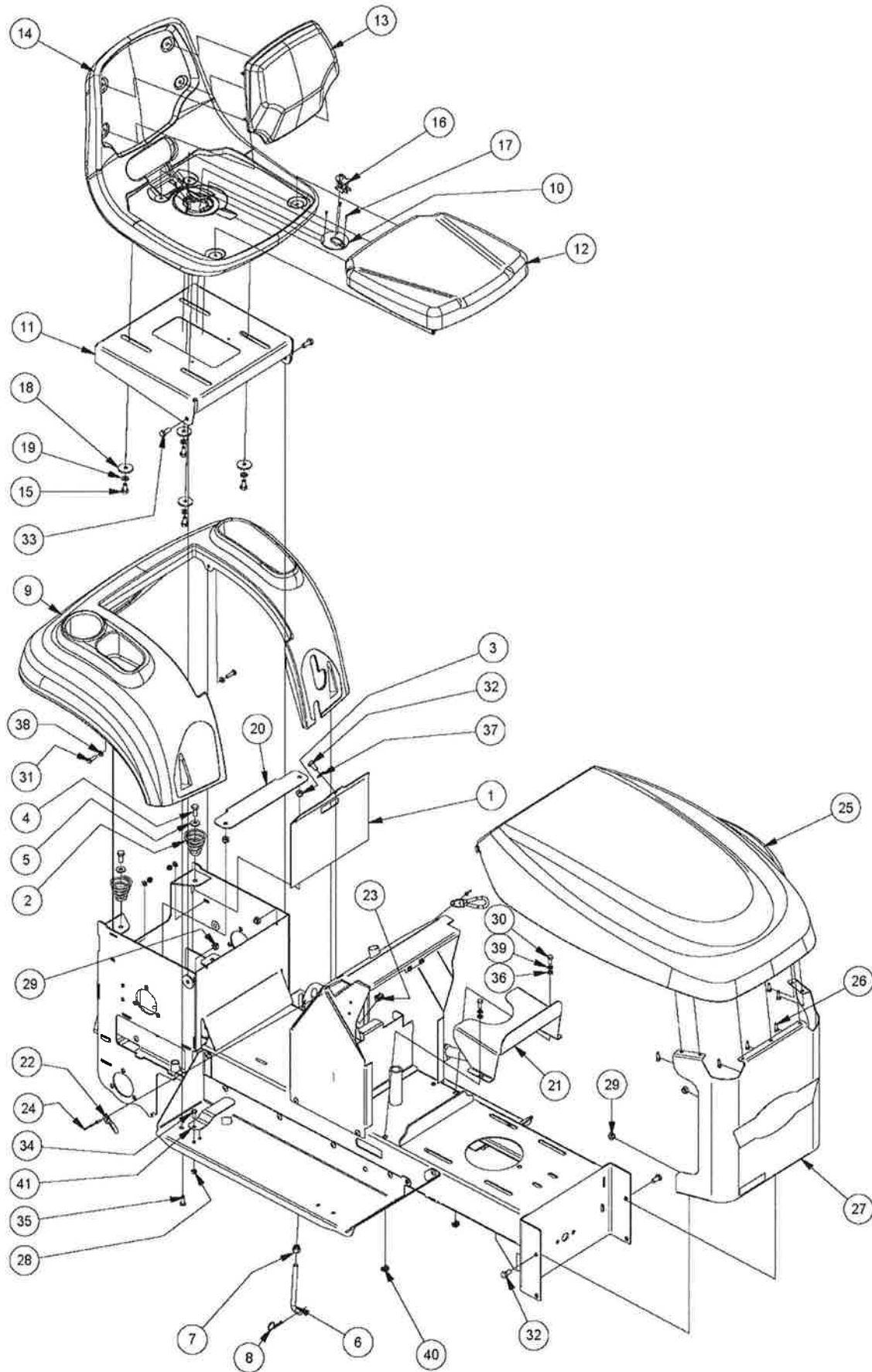
Models A10106J, A10107J 15.5HP B&S ONLY:- Body Components



Models A10106J, A10107J 15.5HP B&S ONLY:- Body Components

ITEM	PART NUMBER	DESCRIPTION	QTY
1	13096	Depressor, Foot Switch	1
2	95021	Door, Console	1
3	13060	Seat Spring	2
4	NM8NT	Nut	2
5	SH0820M	Screw	2
6	W05M202	Washer, Flat	2
7	95044	Mudguard, Model 95, Red	1
8	90112	Seat Switch Mounting Plate	1
9	95008	Seat, Mount, Model 95, Red	1
10	95112	Cushion, Bottom, Seat, Medium, Red	1
11	95113	Seat, Backrest, Assy, Red	1
12	9611006E	Pan, Seat, Medium	1
13	SH0816M	Screw	4
14	SP1PNCSM	Switch, Plunger	1
15	SPST04CX0.37	Screw, Pan	3
16	W052003	Washer, Flat	4
17	WS050216	Washer, Lock, Spring	4
18	AM185BO	Cutter Lifting Link	1
19	NF06CN	Nut	1
20	RP03	Pin, 'R'	1
21	95118	Bracket, Infill, Rear, Red	1
22	96114	Strap, Bonnet, Bunji Loop	2
23	NCM8X3.2	Nut, Cage	1
24	PR04M4.8	Rivet	2
25	95043	Cowl, Bonnet, Red	1
26	A101073R	Nose, Bonnet, Red	1
27	SPPK5X16	Screw, Pan	7
28	NM6NT	Nut	3
29	NM8NT	Nut	4
30	SH0620M	Screw	2
31	SH0816M	Screw	3
32	SH0820M	Screw	2
33	SPM6X16	Screw, Pan	1
34	SPPK6X20	Screw, Pan	2
35	W051218	Washer, Flat	1
36	W06MN	Washer, Flat	4

Model A10808C, A10908C, A11008C :- Body Components

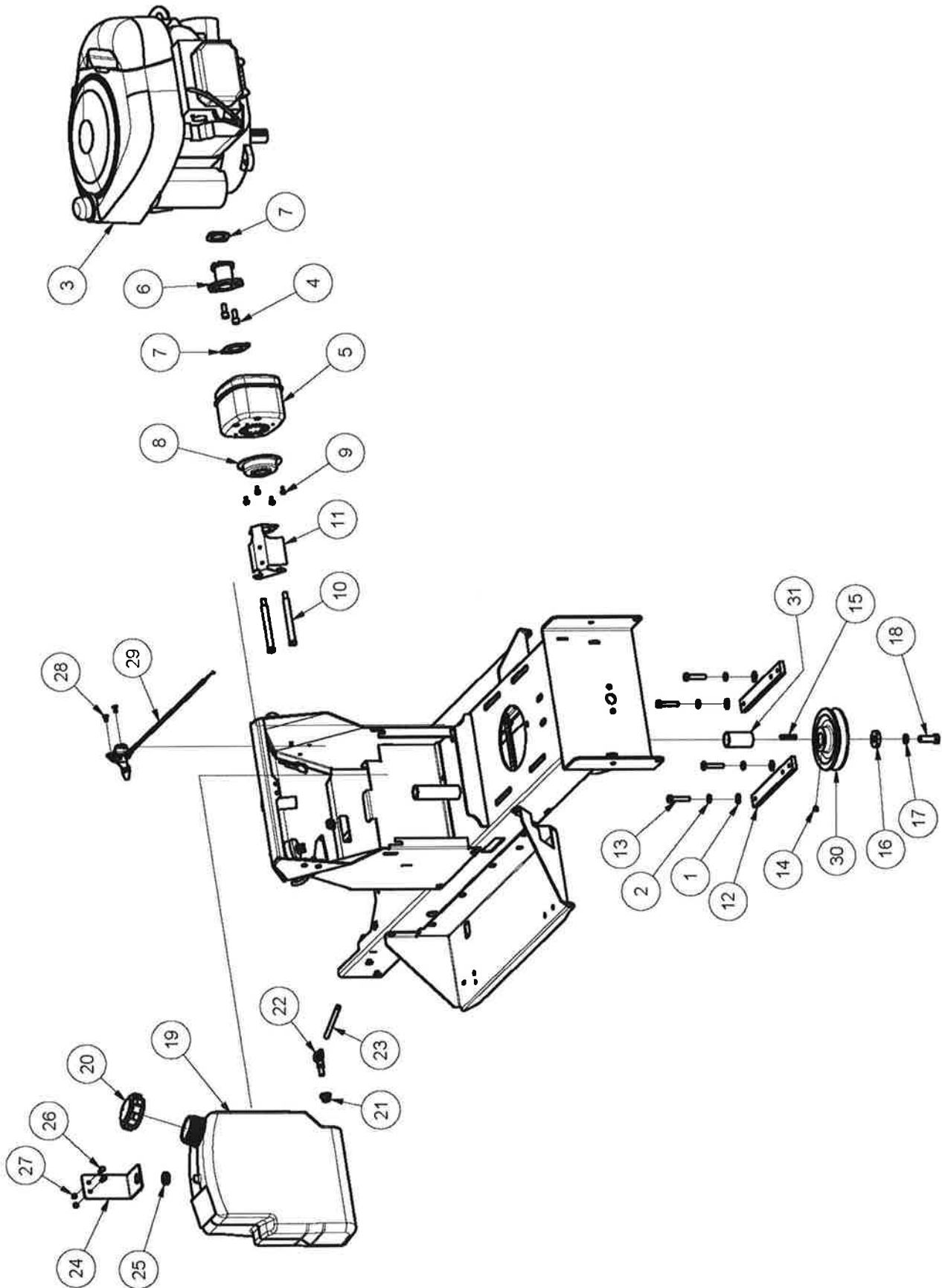


Model A10808C, A10908C, A11008C :- Body Components

ITEM	PART NUMBER	DESCRIPTION	QTY
1	95021	Door, Console	1
2	13060	Seat Spring	2
3	NM8NT	Nut	2
4	SH0820M	Screw	2
5	W05M202	Washer, Flat	2
6	AM185B0	Cutter Lifting Link	1
7	NF06CN	Nut	1
8	RP03	Pin, 'R'	1
9	95044	Mudguard, Model 95, Red	1
10	90112	Seat Switch Mounting Plate	1
11	95008	Seat, Mount, Model 95, Red	1
12	95112	Cushion, Bottom, Seat, Medium, Red	1
13	95113	Seat, Backrest, Assy, Red	1
14	9611006E	Pan, Seat, Medium	1
15	SH0816M	Screw	4
16	SP1PNCM	Switch, Plunger	1
17	SPST04CX0.37	Screw, Pan	3
18	W052003	Washer, Flat	4
19	WS050216	Washer, Lock, Spring	4
20	A108113R	Bracket, Infill, Rear, Red	1
	SH0616M	Screw	8
	NM8NT	Nut	8
21	A107014R	Stand, Tank, Fuel, Red HONDA ONLY	1
22	96114	Strap, Bonnet, Bunji Loop	2
23	NCM8X3.2	Nut, Cage	1
24	PR04M4.8	Rivet, Blind	2
25	95043	Cowl, Bonnet, Red	1
26	SPPK5X16	Screw, Pan	7
27	A110073R	Nose, Bonnet HONDA ONLY	1
	A108073R	Nose, Bonnet 13hp BRIGGS & STRATTON ONLY	
	A109073R	Nose, Bonnet 15.5hp BRIGGS & STRATTON ONLY	
28	NM6NT	Nut	4
29	NM8NT	Nut	11
30	SH0616M	Screw HONDA ONLY	2
31	SH0620M	Screw	2
32	SH0816M	Screw	10
33	SH0820M	Screw	2
34	SPM6X16	Screw, Pan	1
35	SPPK6X20	Screw, Pan	2
36	W040818	Washer, Flat HONDA ONLY	2
37	W051218	Washer, Flat	1
38	W06MN	Washer, Flat	4
39	WS040816	Washer, Lock, Spring HONDA ONLY	2
40	NCM6X2.6X9.5	Nut, Cage HONDA ONLY	2
41	13096	Depressor, Foot Switch	1

Model 9505G, 9506J, 9507J, 9506C, A10106J, A10107J, A10807M, A10808B, A10808C, A10907M, A10908B, A10908C:-

Engine Ancillary Components 13HP, 15HP & 15.5HP B&S



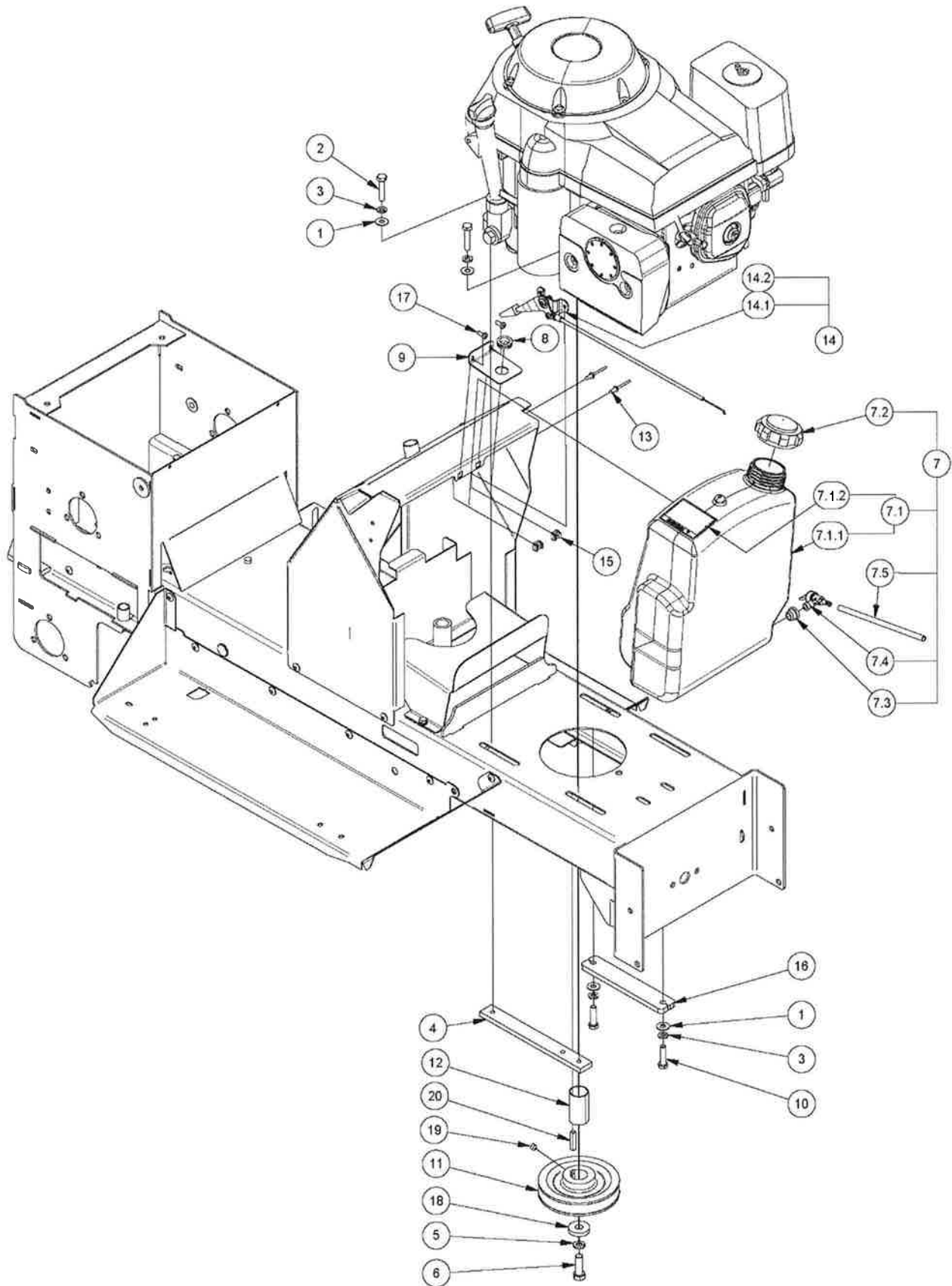
Model 9505G, 9506J, 9507J, 9506C, A10106J, A10107J, A10807M, A10808B, A10808C, A10907M, A10908B, A10908C:-

Engine Ancillary Components 13HP, 15HP & 15.5HP B&S

ITEM	PART NUMBER	DESCRIPTION	QTY
1	W051218	Washer, Flat	4
2	WS050216	Washer, Lock, Spring	4
3		Engine	1
	A108109B	Plate, Base, Engine 13HP	1
4	CHSS0512C	Screw, Cap	2
5		Side muffler 13HP	1
6		Side muffler manifold 13HP	1
7		Gasket B&S	2
8		Side muffler deflector 13HP	1
9	ST0806	Screw	4
10		Side muffler screw	2
11		Side muffler bracket	1
12	AM078B0	Plate, Mtg, Engine	2
13	B0524C	Bolt	4
14	GS0505C	Screw, Set	1
15	AM175	Key, Engine Pulley	1
16	W072004	Washer, Flat	1
17	WS071006	Washer, Lock, Spring	1
18	SH0720F	Bolt	1
19	80033	Tank, Fuel	1
20	CF01	Cap, Fuel	1
21	AM294	Grommet, Fuel Tap	1
22	AM293	Fuel Tap	1
23	14107	Fuel Hose	1
24	80036	Bracket, Restrain, Fuel Tank 13HP	1
	A105007B	Bracket, Restrain, Fuel Tank 15.5HP	1
25	80037	Grommet	1
26	SPM5X12	Screw	2
27	NM5NT	Nut	2
28	PR0306	Rivet	2
29	13101	Assy, Control, Throttle	1
30	KIT204	Pulley, Engine,	1
31	AM233	Engine Pulley Spacer	1

Model 9506M, A10707J, A11007M, A11008B, A11008C:-

Engine Ancillary Components 13HP Honda

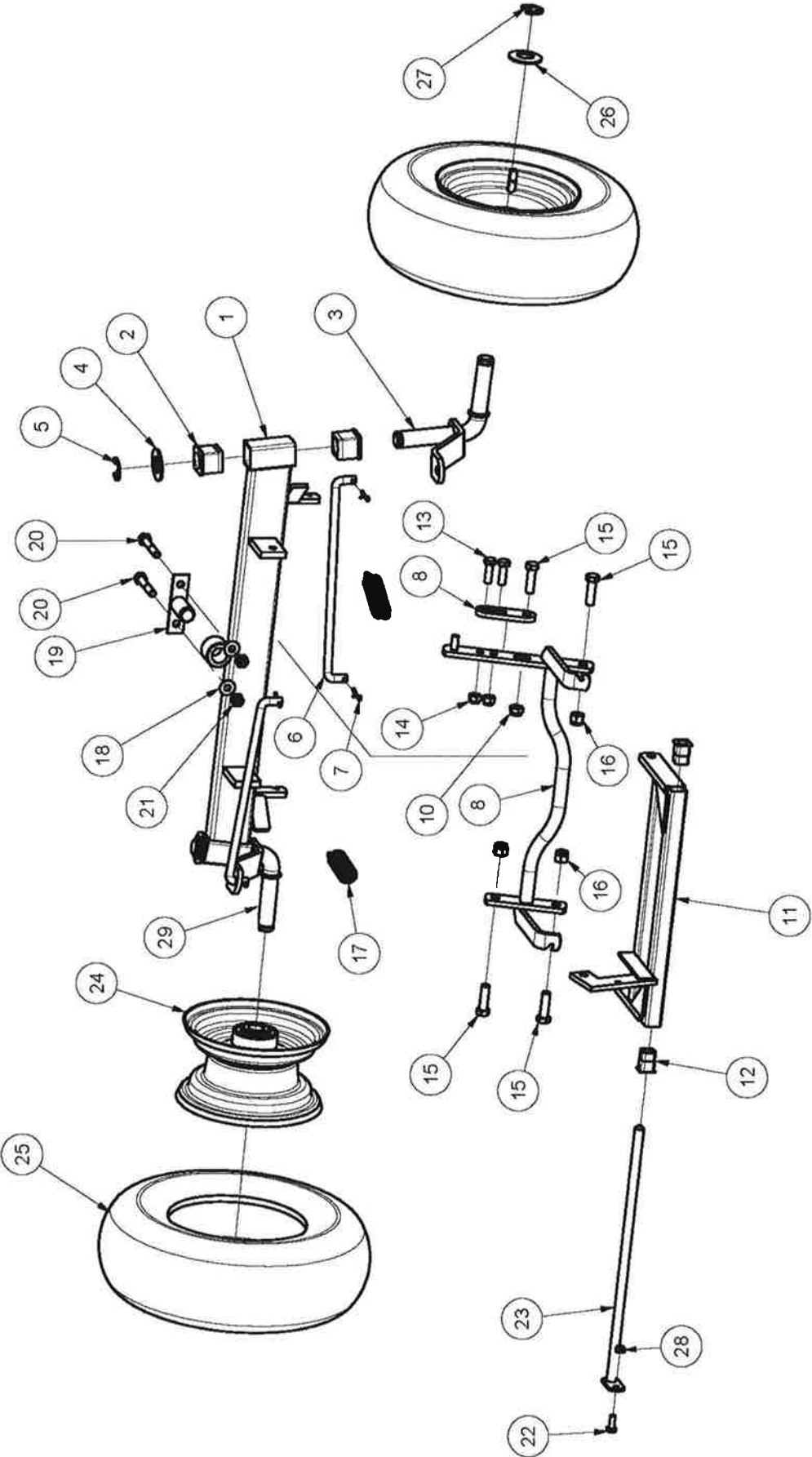


Model 9506M, A10707J, A11007M, A11008B, A11008C:-**Engine Ancillary Components 13HP Honda**

ITEM	PART NUMBER	DESCRIPTION	QTY
1	W051218	Washer	4
2	B0528C	Bolt	2
3	WS050216	Washer, Lock, Spring	4
4	AM078B0	Engine Mount Bolt Plate	1
5	WS071006	Washer, Lock, Spring	1
6	SH0720F	Bolt	1
7	80035	Sub-Assy, Tank, Fuel	1
7.1	KIT167	Kit, Tank, Fuel	1
7.1.1	80033	Tank, Fuel	1
7.1.2	DEC08505K	Decal, Warning, Fuel	1
7.2	CF01	Cap, Fuel	1
7.3	AM294	Grommet, Fuel Tap	1
7.4	AM293	Petrol Tap	1
7.5	14107	Line, Fuel	1
8	80037	Grommet	1
9	A107007B	Bracket, Restrain, Fuel Tank	1
10	B0524F	Bolt	2
11	KIT204	Pulley, Engine	1
12	AM233	Engine Pulley Spacer	1
13	PR0306	Rivet	2
14	A107037	Control, Speed, Engine, 13.0H	1
14.1	AM088	Lever, Control	1
14.2	W040818	Washer	1
15	NCM5X2.5X9.5	Nut, Cage	2
16	A107114Z	Plate, Mount, Engine, 13.0 Hon, Left	1
17	SPM5X12	Screw, Pan, X Recess	2
18	W072004	Washer	1
19	GS0505C	Screw, Set	1
20	AM175	Key, Engine Pulley	1
	A108109B	Plate, Base, Engine	1

Model 9505J, 9506J, 9507J, 9506C, A10807M, A10908B, A10908C:-

Front Axle Components (Pressed Metal Wheel Rims) 13HP B & S Only



Model 9505J, 9506J, 9507J, 9506C, A10807M, A10908B, A10908C:-

**Front Axle Components (Pressed Metal Wheel Rims) 13HP B & S Only
from Serial No 201**

ITEM	PART NUMBER	DESCRIPTION	QTY
1	95005	Axle Beam, Front	1
2	89028	Bush, Pivot, Nylon	4
3	89050	Axle, Stub, R/H	1
4	W203902	Washer, Flat	2
5	C02	Circlip, Ext, "E" Type	2
6	89020	Tie Rod	2
7	CP3-220	Split Pin	4
8	KIT178	Kit, F/Axle Conn Link, Adjuster Link & Hardware	1
10	N06CN	Nut	1
11	AM342	Link, Connect, Cutter	1
12	AM230	Bush - Plastic	2
13	SH0516C	Screw	2
14	N05CN	Nut	2
15	B0620C	Bolt	4
16	NF06CN	Nut	3
17	AM040	Spring Extension, Cutter Belt	2
18	W051218	Washer, Flat	2
19	13242	Front Axle Mount Pin	1
20	B0850M	Bolt	2
21	NM8NT	Nut	2
22	SH0616M	Screw	1
23	13016	Pin, Pivot	1
24	89032	Wheel, Front, C/W Bearings	2
25	TT13x500-6SS	Tyre—Tubeless (Round Profile Only)	2
	STU13x500-6SS	Tube—Optional	
	VSS	Valve Stem— Tubeless	2
26	W122414	Washer	2
27	C02	Circlip, Ext, "E" Type	2
28	NM6NT	Nut	1
29	89057	Stub Axle—LH	1



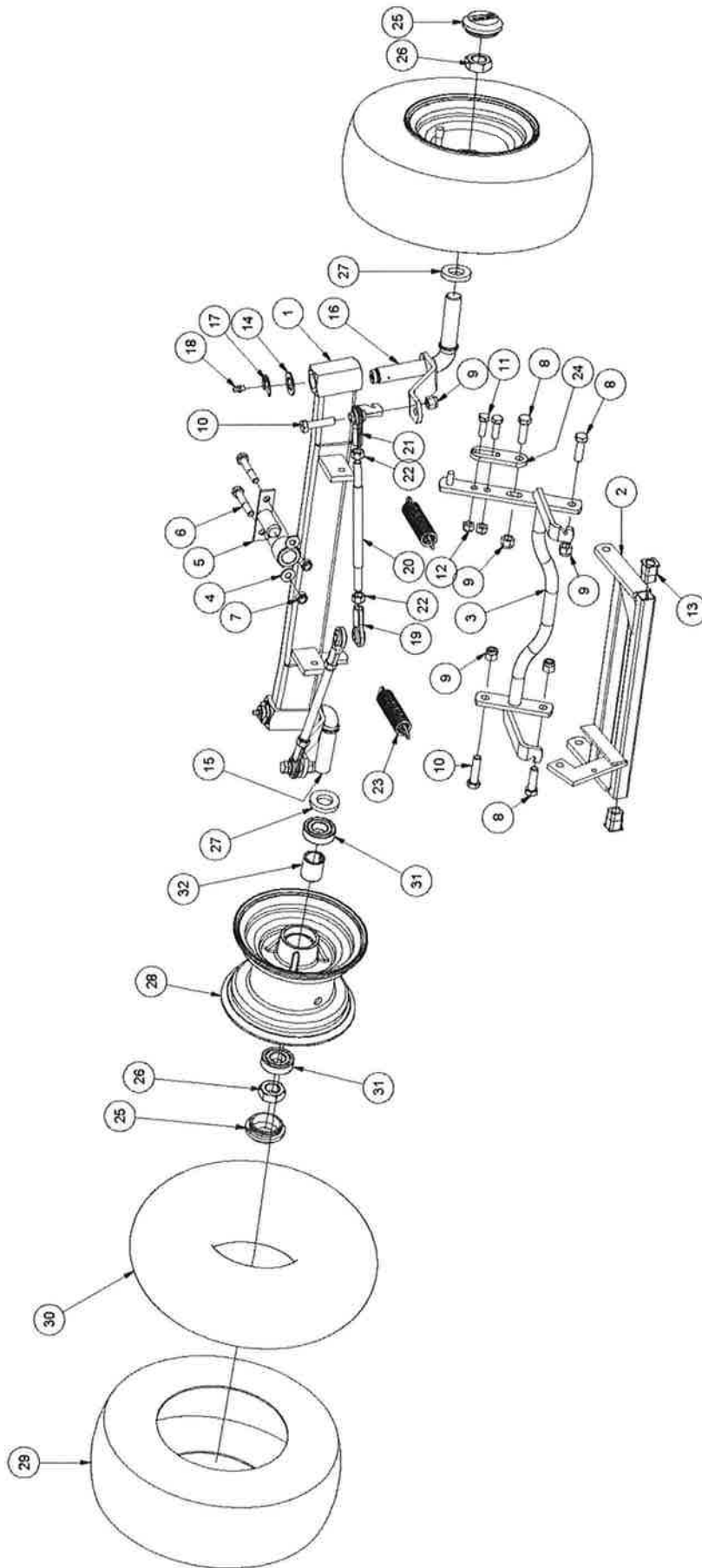
Round profile tyre suit P/n 89032



Flat profile tyre suit P/n 89032TPC

Model 9506M, A10707J, A11007M, A11008B, A11008C:-

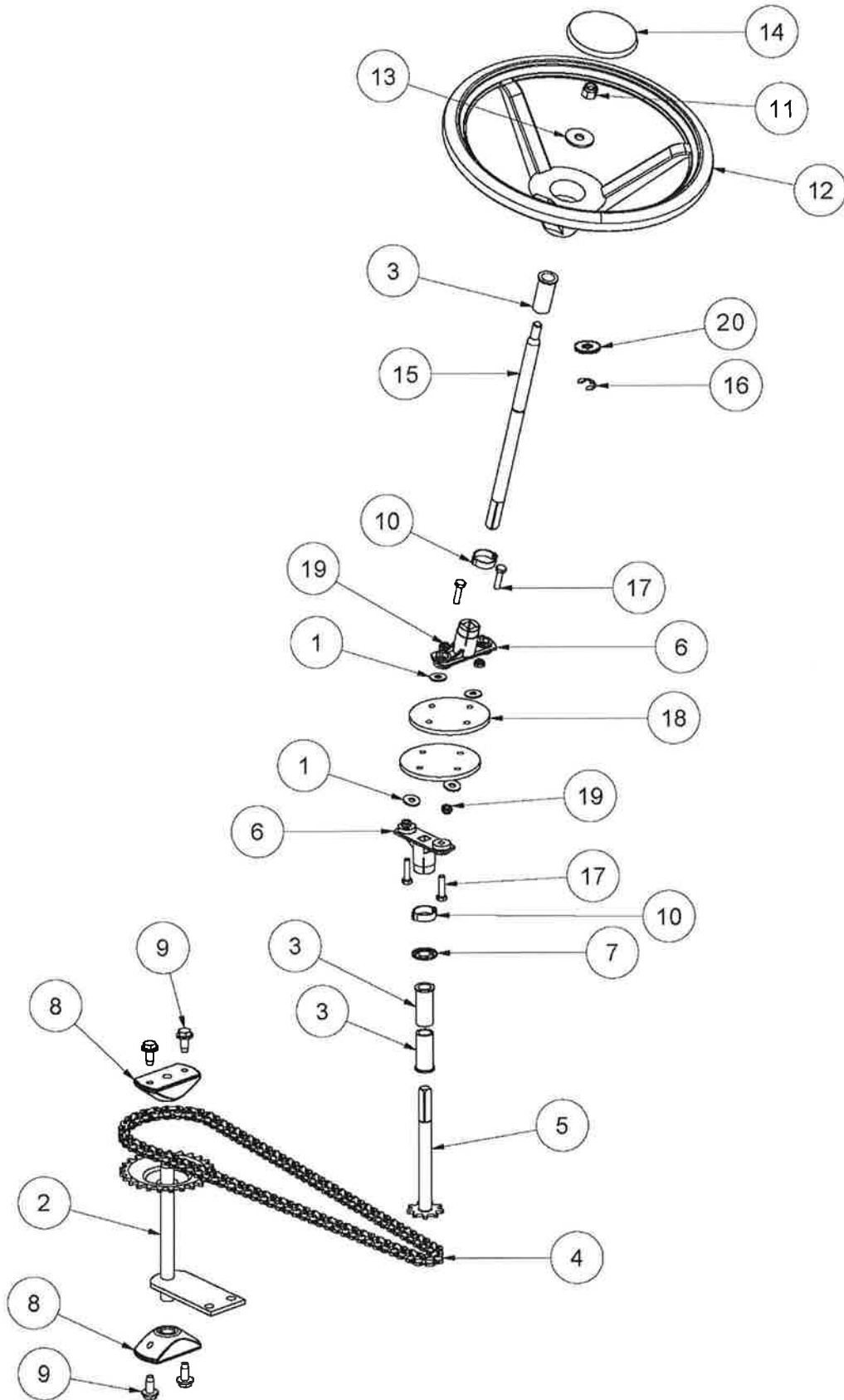
Front Axle Components (Cast Alloy Wheel Rims) 13HP Honda, 15HP B&S & 15.5HP B&S Only



Model 9506M, A10707J, A11007M, A11008B, A11008C:-**Front Axle Components (Cast Alloy Wheel Rims) 13HP Honda, 15HP B&S & 15.5HP B&S Only**

ITEM	PART NUMBER	DESCRIPTION	QTY
1	AM332	Beam, Front Axle	1
2	AM342	Link Connecting Cutter	1
3	8909905C	Link, Connect, Axle	1
4	W051218	Washer, Flat	2
5	13242	Pin, Pivot, Front Axle	1
6	B0850M	Bolt	2
7	NM8NT	Nut	2
8	B0620C	Bolt	3
9	NF06CN	Nut	6
10	B0624C	Bolt	3
11	SH0516C	Screw	2
12	N05CN	Nut	2
13	AM230	Bush - Plastic	2
14	AM336	Washer, Sealing, Shaft	2
15	AM333	Axle Stub L/H	1
16	AM334	Axle Stub R/H	1
17	C02	Circlip, Ext, "E" Type	2
18	GNTF3	Nipple, Grease	2
19	AM020	End, Rod, Stamp	2
20	AM256	Tie Rod	2
21	AM337	End, Rod, Stamp	2
22	N06F	Nut	4
23	AM040	Spring Extension, Cutter Belt	2
24	89098	Link, Adjust	1
25	AM07099C	Cap, Hub	2
26	NHM20X1.5	Nut	2
27	W203806	Washer, Flat	2
28	AM193M9	Rim	2
29	TT500X6	Tyre & Tube	2
30	STU500X6	Tube	2
31	BB204212N	Bearing, Ball	4
32	AM021	Sleeve, Spacer, Bearing	2

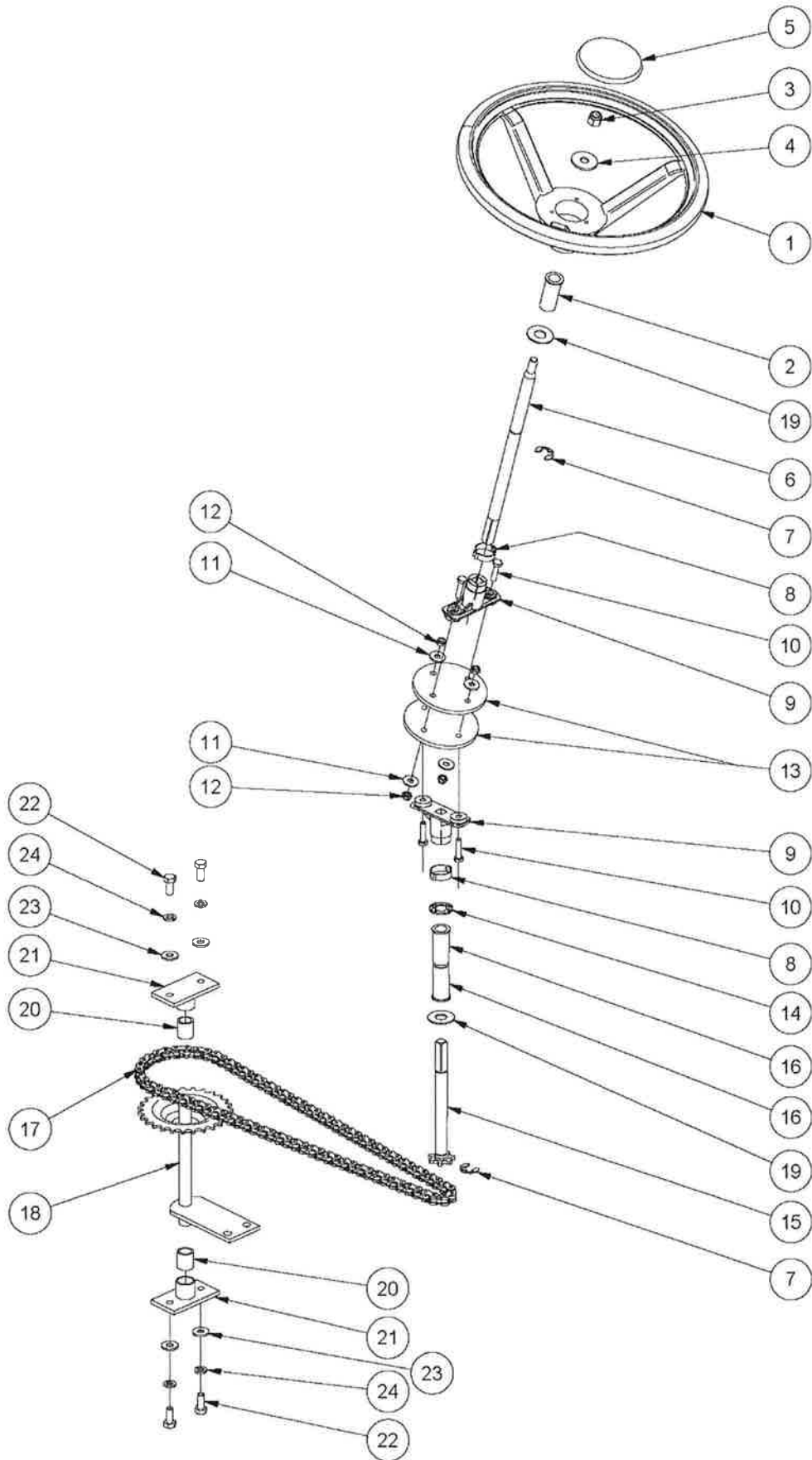
Model 9505G, 9506C, 9506J, 9506M, 9507J, A10106J, A10107J, A10707J, A10807M, A11007M, A10907M :- Steering Components



Model 9505G, 9506C, 9506J, 9506M, 9507J, A10106J, A10107J, A10707J, A10807M, A11007M, A10907M :- Steering Components

ITEM	PART NUMBER	DESCRIPTION	QTY
1	W041216	Washer, Flat	4
2	AM331	Steering Idler	1
3	AM017C1	Steering Shaft Bush With Collar	3
4	AM018	Chain, Steering	1
	SAM019	Chain Link	1
5	89083	Shaft, Steering, Lower	1
6	89097	Steering Shaft Yoke	2
7	89100	Fastener, Push-on	1
8	90113	Steering Idler Shaft Mtg Bracket	2
9	PLAS5/16	Screw	4
10	OC21	"O" Clip	2
11	NF06CN	Nut	1
12	AM167M8	Steering Wheel	1
13	W0620HD	Washer, Flat	2
14	AM225	Steering Wheel, Cover, Cap	1
15	89087	Steering Shaft Upper	1
16	C05	Circlip, Ext, "E" Type	1
17	B0625M	Bolt	4
18	AM25399J	Disc, Universal Joint	1
19	NM6NT	Nut	4
20	W092016	Washer	1

Model A10808C, A10908C, A11008C :- Steering Components



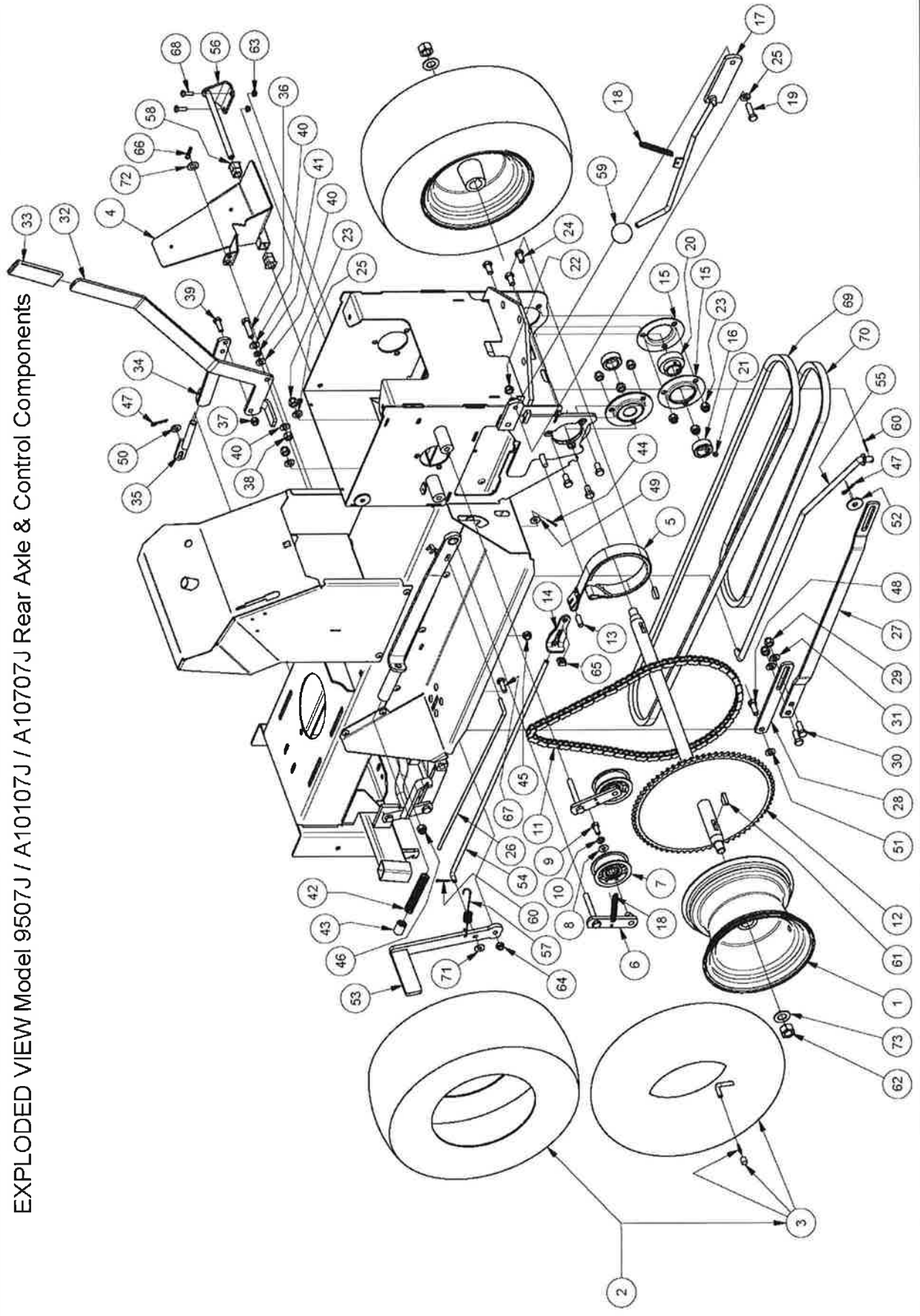
Model A10808C, A10908C, A11008C:- Steering Components

ITEM	PART NUMBER	DESCRIPTION	QTY
1	AM167M8	Steering Wheel	1
2	AM017C1	Steering Shaft Bush With Collar	1
3	NF06CN	Nut	1
4	W0620HD	Washer, Flat	1
5	AM225	Steering Wheel, Cover, Cap	1
6	89087	Steering Shaft Upper	1
7	C05	Circlip, Ext, "E"Type	2
8	OC21	"O" Clip	2
9	89097	Steering Shaft Yoke	2
10	B0625M	Bolt	4
11	W041216	Washer, Flat	4
12	NM6NT	Nut	4
13	AM25399J	Universal, Steering Joint	1
14	89100	Fastener, Pushon, Round	1
15	95006	Shaft, Steering, Lower	1
	89083	Shaft, Steering, Lower (13hp Only)	1
16	AM017C1	Steering Shaft Bush With Collar	2
17	AM018	Chain, Steering	1
18	95007	Idler, Steering	1
	AM331	Steering Idler (13hp Only)	1
19	W092016	Washer, Flat	2
20	AM215	Idler Bush	2
21	AM255	Steering Idler Shaft Mtg Brkt	2
22	SH0512C	Screw	4
23	W05M202	Washer, Flat	4
24	WS050216	Washer, Lock, Spring	4

Model 9505G, 9506C, 9506J, A10106J:- Drive Components

ITEM	PART NUMBER	DESCRIPTION	QTY
1	89015	Height Adjust Rod	1
2	RP03	Pin, 'R'	1
3	N06CN	Nut	2
4	AM230	Bush, Pivot	2
5	SH0516C	Screw	1
6	N05CN	Nut	1
7	B0620C	Bolt	1
8	NF06CN	Nut	9
9	W051218	Washer, Flat	4
10	RP01	Pin, 'R'	4
11	AM012	Height Adjustment Pawl Push Rod Spring	1
12	AM013Q2	Height Adjustment Pawl Push Rod Button	1
13	W041216	Washer, Flat	1
14	KIT179	Kit, Connecting Link, Front To Rear	1
15	NM8NT	Nut	1
16	SH0616C	Screw	1
17	W061216	Washer, Flat	7
18	W0620HD	Washer, Flat	1
19	N06C	Nut	1
20	B0624C	Bolt	1
21	WS060815	Washer, Lock, Spring	1
22	AM240	Disengaging Adjuster Bushed	1
23	96105	Handle, Cutter Disengage	1
24	AM009	Hand Grip	1
25	AM24105C	Disengaging Adjuster Threaded	1
26	SH0512C	Screw	2
27	WS050216	Washer, Lock, Spring	2
28	96070	Pin, Pivot, Drive Pedal	1
29	GS0505C	Screw	2
30	AM024	Flangette	4
31	AM025	Lock Collar	2
32	BB25SAN	Bearing	2
33	231903	Rear Axle	1
34	AM362	Arm, Chain Tensioner	2
35	PIFBB126598A	Idler, Flat	2
36	231901	Drive Chain Incl Conn Link	1
	S231904	Chain Conn Link	
37	1302305E	Brake, Ext, Drum Type	1
38	SH0616C	Screw	6
39	AM288	Spring, Extension	2
40	SH0825M	Screw	1
41	95104	Pin, Brake, Actuator	1
42	95106	Bracket, Brake Actuator	1
43	AM284K94	Plate, Pivot Pin, Mounting	1
44	TT650X8	Tyre & Tube	2
45	STU650X8	Tube	2
46	AM194	Rim	2
47	AM290	Hand Brake Knob	1
48	N10F	Nut	2
49	K18	Key	2
50	NS05C	Nut, Sqr	2
51	SPM6X20	Screw, Pan	2
52	95103	Pedal, Brake	1
	95102	Bracket, Pedal, Brake	2
53	AM183	Spring, Extension	1
54	95105	Brake Rod	1
55	95107	Link, Drive, Long	1
56	W071416	Washer, Flat,	1
57	W102015	Washer, Flat	2
58	95011	Pedal, Drive	1
59	V42	Belt, V	1
60	V44	Belt, V	1
61	NM5NT	Nut,	2
62	CP3-220	Pin, Split	1

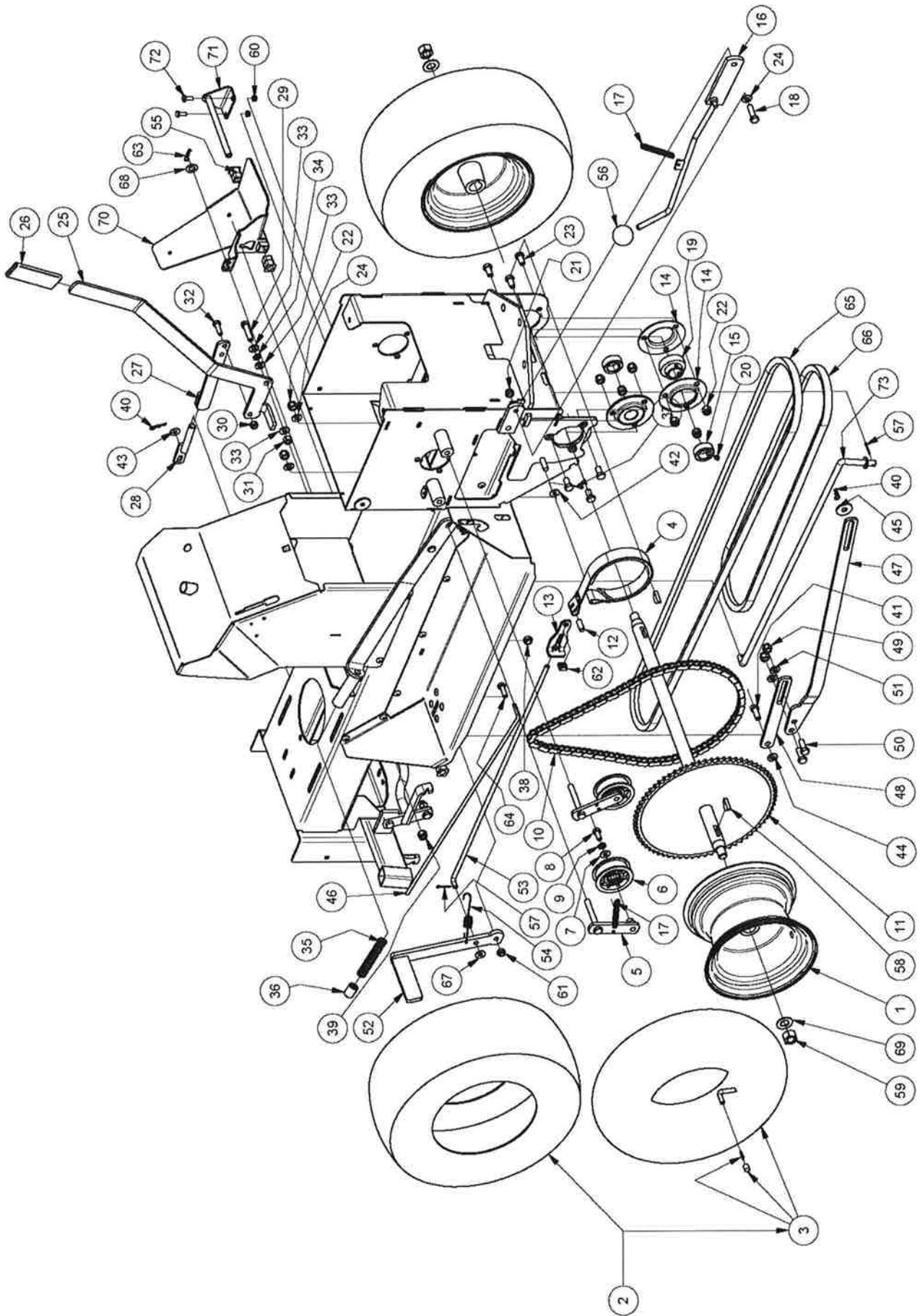
EXPLODED VIEW Model 9507J / A10107J / A10707J Rear Axle & Control Components



Model 9507J, A10107J, A10707J:- Rear Axle & Control Components

ITEM	PART NUMBER	DESCRIPTION	QTY
1	AM194	Rim	2
2	TT650X8	Tyre & Tube	2
3	STU650X8	Tube	1
4	95011B	Pedal, Drive	1
5	1302305E	Brake, Ext, Drum Type, Model 95	1
6	AM362	Arm, Chain Tensioner	2
7	PIFBB126598A	Idler, Flat, Flg, Brg, Sealed	2
8	W051218	Washer, Flat	2
9	SH0512C	Screw	2
10	WS050216	Washer, Lock, Spring	2
11	231901	Drive Chain Incl Con Link	1
12	23190308J	Rear Axle	1
13	95104	Pin, Brake, Actuator	1
14	95106	Bracket, Brake Actuator	1
15	AM024	Flangette 25mm	4
16	AM0251	Lock Collar 25mm	2
17	AM284G05	Lever, Park Brake	1
18	AM288	Spring, Extension	2
19	B0620C	Bolt	1
20	BB25SAN	Bearing, Ball	2
21	GS0505C	Screw, Set	2
22	N06CN	Nut	1
23	NF06CN	Nut	8
24	SH0612C	Screw	6
25	W061216	Washer, Flat	3
26	89015	Height Adjust Rod	1
27	95119	Link, Float, Rear	1
28	95120	Link, Adjust, Front	1
29	NF06CN	Nut	2
30	SH0616C	Screw	2
31	W061216	Washer, Flat	2
32	96105	Disengaging Handle	1
33	AM009	Hand Grip	1
34	AM240	Disengaging Adjuster Bushed	1
35	AM24105C	Disengaging Adjuster Threaded	1
36	B0624C	Bolt	1
37	N05CN	Nut	1
38	N06C	Nut	1
39	SH0516C	Screw	1
40	W061216	Washer, Flat	3
41	WS060815	Washer, Lock, Spring	1
42	AM012	Height Adjustment Pawl Push Rod Spring	1
43	AM013Q2	Height Adjustment Pawl Push Rod Button	1
44	CP3-220	Pin, Split	3
45	N06CN	Nut	1
46	NF06CN	Nut	1
47	RP01	Pin, 'R'	2
48	SH0616C	Screw	1
49	W041216	Washer, Flat	1
50	W051218	Washer, Flat	1
51	W061216	Washer, Flat	1
52	W0620HD	Washer, Flat	1
53	95103	Pedal, Brake	1
54	95105	Drum Brake, Rod	1
55	95107	Link, Drive, Long, Red	1
56	96070	Pin, Pivot, Drive Pedal	1
57	AM183	Spring, Extension, Park Brake	1
58	AM230	Bush - Plastic	2
59	AM290	Hand Brake Knob	1
60	CP3-220	Pin, Split	2
61	K18	Key	2
62	N10F	Nut	2
63	NM6NT	Nut	2
64	NM8NT	Nut	1
65	NS05C	Nut, Square	1
66	RP01	Pin, 'R'	1
67	SH0825M	Screw	1
68	SPM6X20	Screw, Pan	2
69	V42	Belt, V	1
70	V44	Belt, V	1
71	W051218	Washer, Flat	1
72	W071416	Washer, Flat	1
73	W102015	Washer, Flat	2

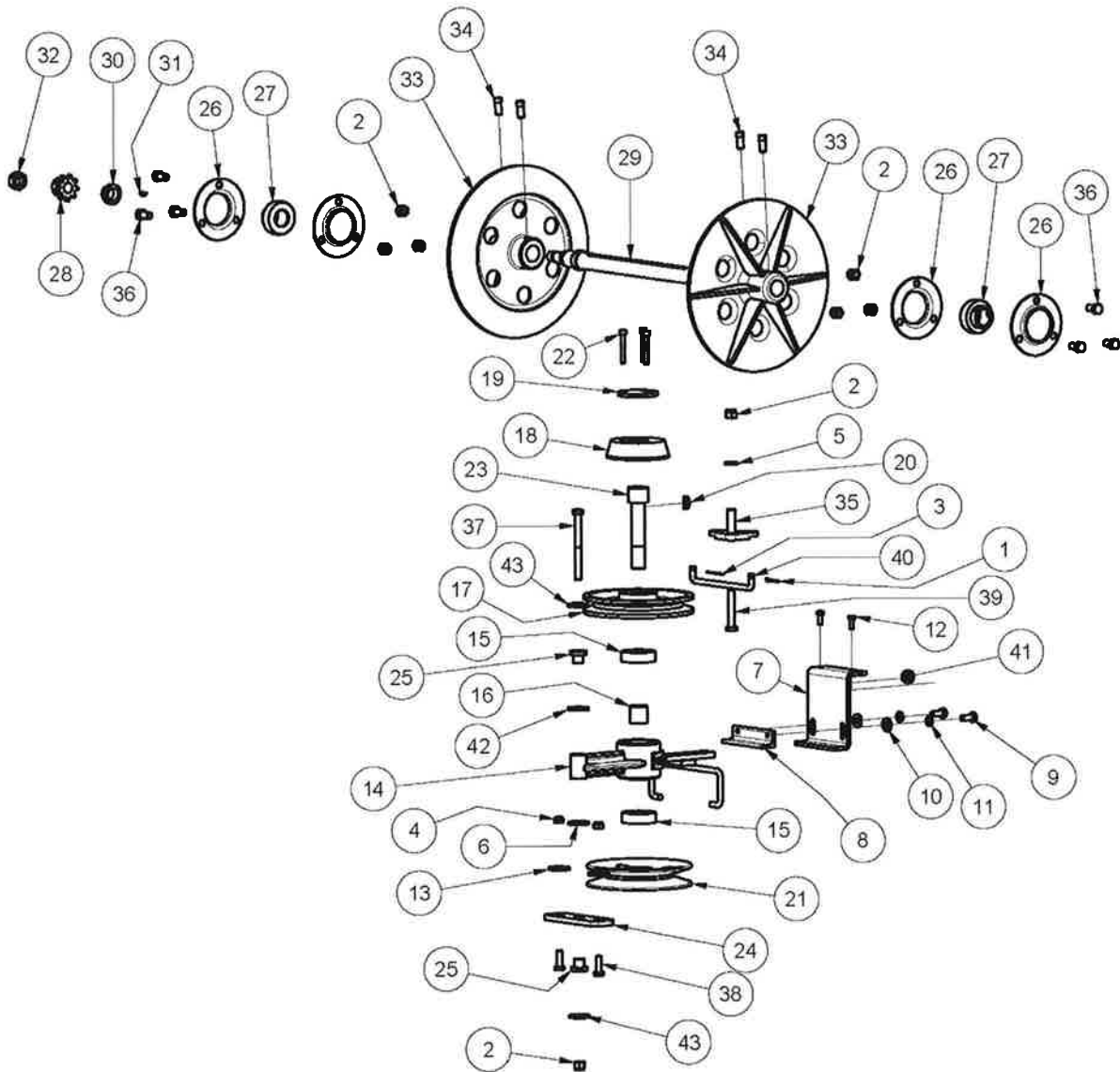
Model A10808C, A10908C, A11008C :- Rear Axle Drive Components



Model A10808C, A10908C, A11008C :- Rear Axle Drive Components

ITEM	PART NO	DESCRIPTION	QTY	ITEM	PART NO	DESCRIPTION	QTY
1	AM194	Rim	2	40	RP01	Pin, 'R'	2
2	TT650X8	Tyre & Tube	2	41	SH0616C	Screw	1
3	STU650X8	Tube	1	42	W041216	Washer, Flat	1
4	1302305E	Brake, Ext, Drum Type	1	43	W051218	Washer, Flat	1
	13023-02	Lining		44	W061216	Washer, Flat	1
5	AM362	Arm, Chain Tensioner	2	45	W0620HD	Washer, Flat	1
6	PIFBB126598A	Idler, Flat	2	46	A108003Z	Rod, Adjust, Height, Cut	1
7	W051218	Washer, Flat	2	47	A108009Z	Link, Float	1
8	SH0512C	Screw	2	48	95120	Link, Adjust, Front	1
9	WS050216	Washer, Lock, Spring	2	49	NF06CN	Nut	2
10	231901	Drive Chain Incl Con Link	1	50	SH0616C	Screw	2
	S231904	Drive Chain Con Link		51	W061216	Washer, Flat	2
11	23190308J	Rear Axle	1	52	95103	Pedal, Brake	1
12	95104	Pin, Brake, Actuator	1	53	95105	Drum Brake, Rod	1
13	95106	Bracket, Brake Actuator	1	54	AM183	Spring, Extension, Park Brake	1
14	AM024	Flangette	4	55	AM230	Bush - Plastic	2
15	AM025	Lock Collar	2	56	AM290	Hand Brake Knob	1
16	AM284G05	Lever, Park Brake	1	57	CP3-220	Pin, Split	2
17	AM288	Spring, Extension	2	58	K18	Key	2
18	B0620C	Bolt	1	59	N10F	Nut	2
19	BB25SAN	Bearing, Ball	2	60	NM6NT	Nut	2
20	GS0505C	Screw, Set	2	61	NM8NT	Nut	1
21	N06CN	Nut	1	62	NS05C	Nut, Sqr	1
22	NF06CN	Nut	8	63	RP01	Pin, 'R'	1
23	SH0612C	Screw, Set	6	64	SH0825M	Screw	1
24	W061216	Washer, Flat	3	65	V42	Belt, V	1
25	96105	Disengaging Handle	1	66	V44	Belt, V	1
26	AM009	Hand Grip	1	67	W051218	Washer, Flat	1
27	AM240	Disengaging Adj Bushed	1	68	W071416	Washer, Flat	1
28	AM24105C	Disengaging Adj Threaded	1	69	W102015	Washer, Flat	2
29	B0624C	Bolt	1	70	A108013R	Pedal, Drive	1
30	N05CN	Nut	1	71	A108015Z	Pivot, Pedal, Drive	1
31	N06C	Nut	1	72	SH0616M	Screw	2
32	SH0516C	Screw	1	73	A108011Z	Link, Drive, Long	1
33	W061216	Washer, Flat	3				
34	WS06081.5	Washer, Lock, Spring	1				
35	AM012	Ht Adj Pawl Push Rod Spring	1				
36	AM013Q2	Ht Adj Pawl Push Rod Button	1				
37	CP3-220	Pin, Split	3				
38	N06CN	Nut	1				
39	NF06CN	Nut	1				

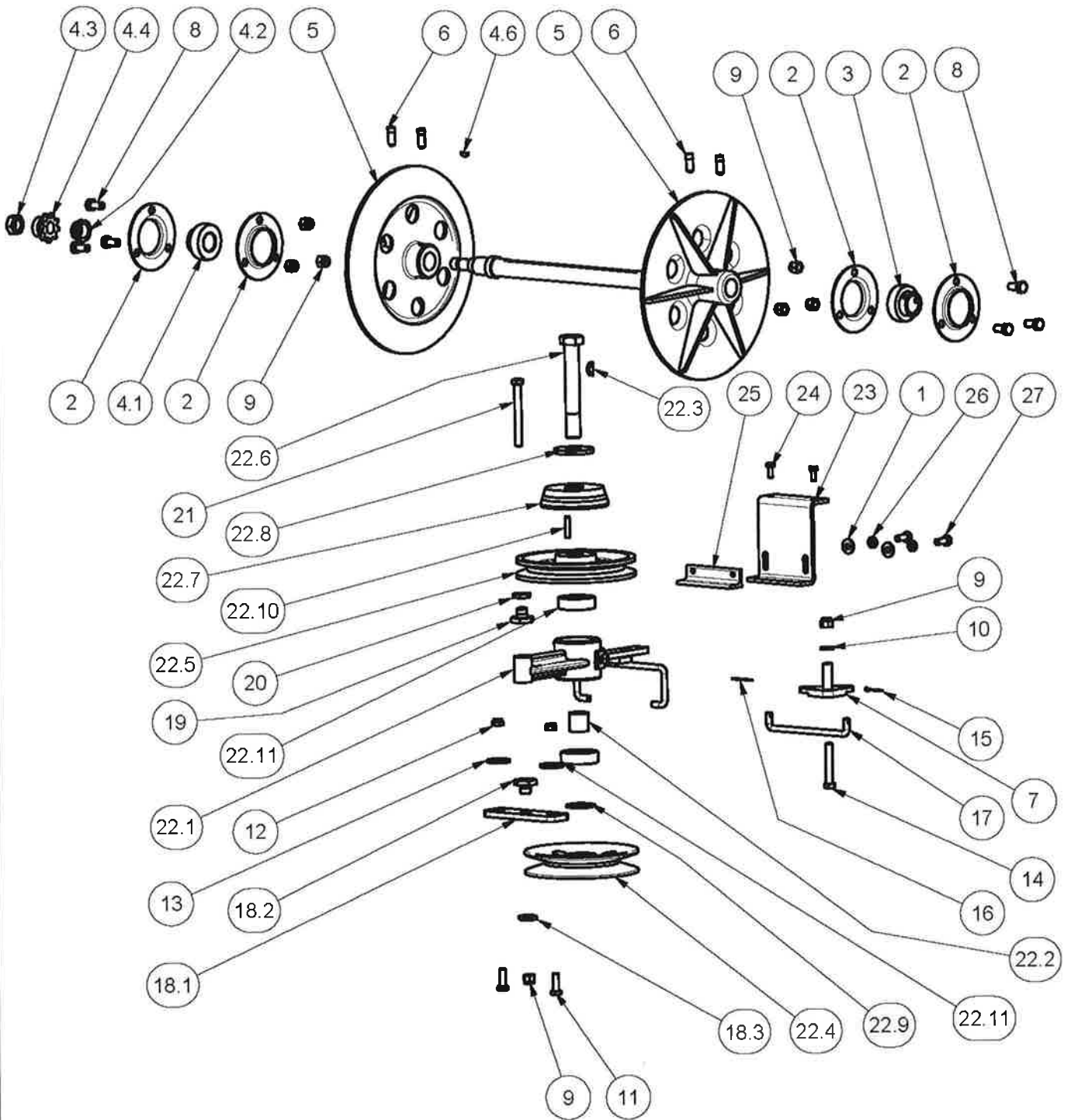
Model 9505G, 9506C:- Transmission Components



Model 9505G, 9506C:- Transmission Components

ITEM	PART NUMBER	DESCRIPTION	QTY
1	CP3-220	Pin, Split	1
2	NF06CN	Nut	8
3	RP01	Pin, 'R'	1
4	NM8NT	Nut	2
5	W061216	Washer, Flat	1
6	W0620HD	Washer, Flat	1
7	AM206	Bracket, Locating, Clutch Arm	1
8	AM246	Plate, Wear, Clutch Bracket	1
9	SH0512C	Screw	2
10	W05M202	Washer, Flat	2
11	WS050216	Washer, Lock, Spring	2
12	SH0616M	Screw	2
13	W052003	Washer, Flat	2
14	90098	Clutch Arm	1
15	BB205215NS	Bearing, Ball	2
16	AM072	Bearing Spacer	1
17	90108	Drive Pulley	1
18	CC2095GNE	Clutch Cone	1
19	90082	Retention Washer	1
20	SK09	Key	2
21	252001	Clutch Pulley Lower	1
22	CHSBM6X50	Screw	3
23	90110	Clutch Shaft	1
24	88119	Plate, Adjust, Clutch	1
25	90081	Rubber Bush	2
26	AM024	Flangette	4
27	BB25SAN	Bearing, Ball	2
28	SKIT65	Small Sprocket incl Key	1
29	AM363	Shaft, Mtg, Clutch Plate	1
30	AM364	Sleeve, Spacer, Shaft	1
31	SK03	Key	1
32	N10FT	Nut	1
33	AM197	Clutch Plate	2
34	SS0612W	Set Screw	4
35	AM182E94	Clutch Rod Pivot Plate	1
36	SH0616C	Screw	6
37	B0664C	Bolt	1
38	SH0825M	Screw	2
39	B0636C	Bolt	1
40	AM238	Rod, Clutch, Short	1
41	NM6NT	Nut	2
42	13247	Washer	1
43	W061602	Washer	2

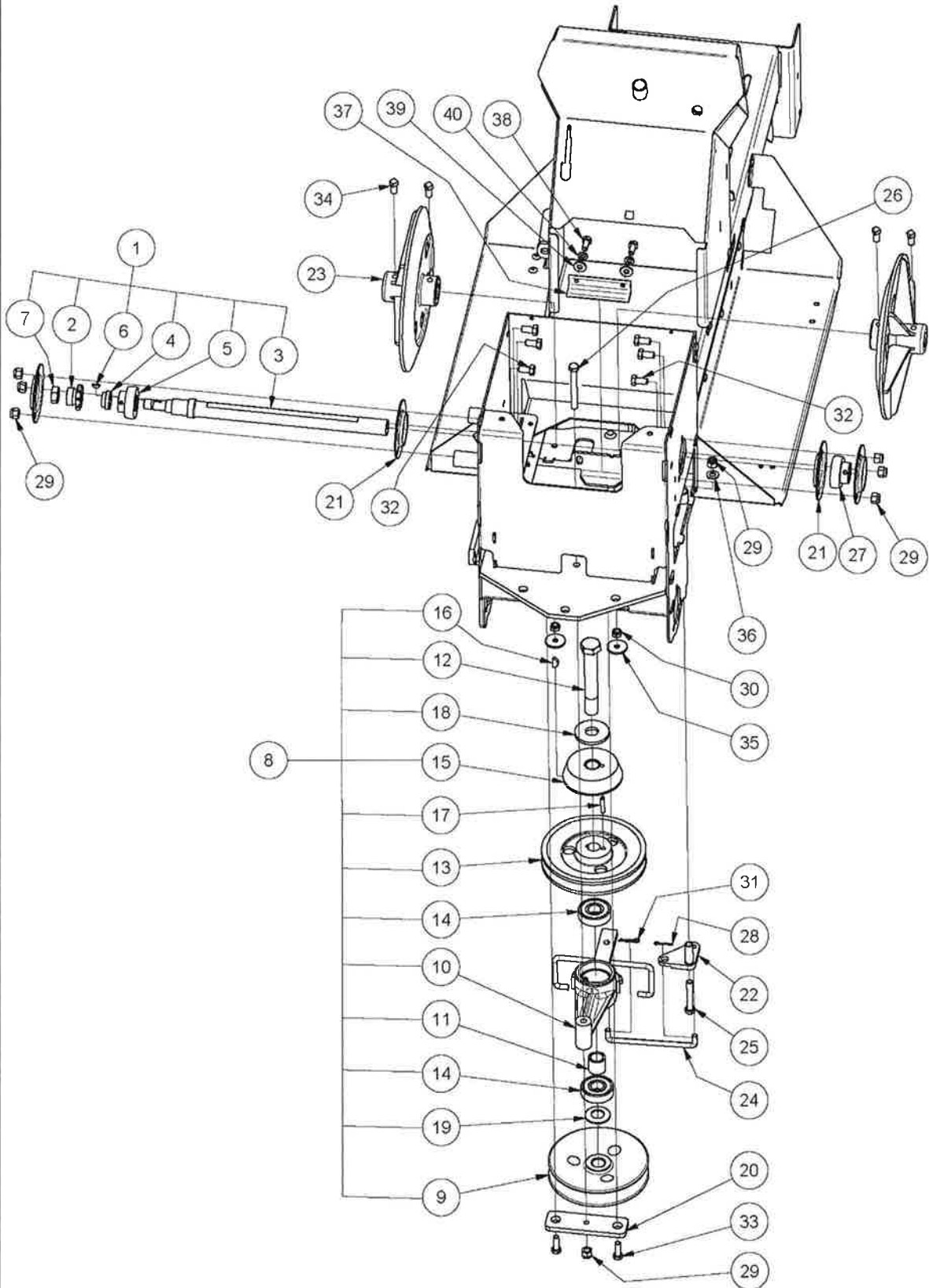
Model 9506J, A10106J:- Transmission Components



Model 9506J, A10106J:- Transmission Components

ITEM	PART NUMBER	DESCRIPTION	QTY
1	W05M202	Washer, Flat	2
2	AM024	Flangette	4
3	BB25SAN	Bearing, Ball	1
4	13259	Sub-Assy, Intershaft	1
4.1	BB25SAN	Bearing, Ball	1
4.2	AM364	Sleeve, Spacer	1
4.3	N10FT	Nut	1
4.4	SKIT65	Intershaft Sprocket & Key	1
4.5	AM363	Shaft, Mounting, Clutch Plate	1
4.6	SK03	Key	1
5	AM197	Clutch Plate	2
6	SS0612W	Screw, Set	4
7	AM182E94	Clutch Rod Pivot Lever	1
8	SH0612C	Screw, Set	6
9	NF06CN	Nut	8
10	W061216	Washer	1
11	SH0825M	Screw	2
12	NM8NT	Nut	2
13	W052003	Washer,	2
14	B0636C	Bolt	1
15	CP3-220	Pin	1
16	RP01	Pin, "R"	1
17	AM238	Rod, Clutch, Short	1
18	95116	Sub-Assy, Plate, Adjust, Clutch	1
18.1	88119	Plate, Adjust, Clutch	1
18.2	90217	Bush, Bottom, Tapped	1
18.3	90216	Nut, Locate	1
19	90215	Bush, Top, Plain	1
20	90216	Nut, Locate	1
21	B0656C	Bolt	1
22	9009706F	Sub-Assy, Clutch	1
22.1	90098	Clutch Arm	1
22.2	AM072	Sleeve, Spacer, Bearing	1
22.3	SK09	Key, Woodruff	1
22.4	252001	Clutch Pulley Lower	1
22.5	AM326	Clutch Pulley	1
22.6	AM204J3	Clutch Shaft	1
22.7	KIT187	Cone, Clutch Kit Incl Washers	1
22.8	W205505B	Washer	1
22.9	WSCM20402.0	Washer, Spring, Conical	1
22.10	PDM0630	Pin, Dowel	1
22.11	BB205215NS	Bearing, Ball	2
23	AM206	Clutch Arm Locating Bracket	1
24	SH0616M	Screw	2
25	AM246	Clutch Brkt Wear Plate	1
26	WS050216	Washer, Lock, Spring	2
27	SH0512C	Screw	2

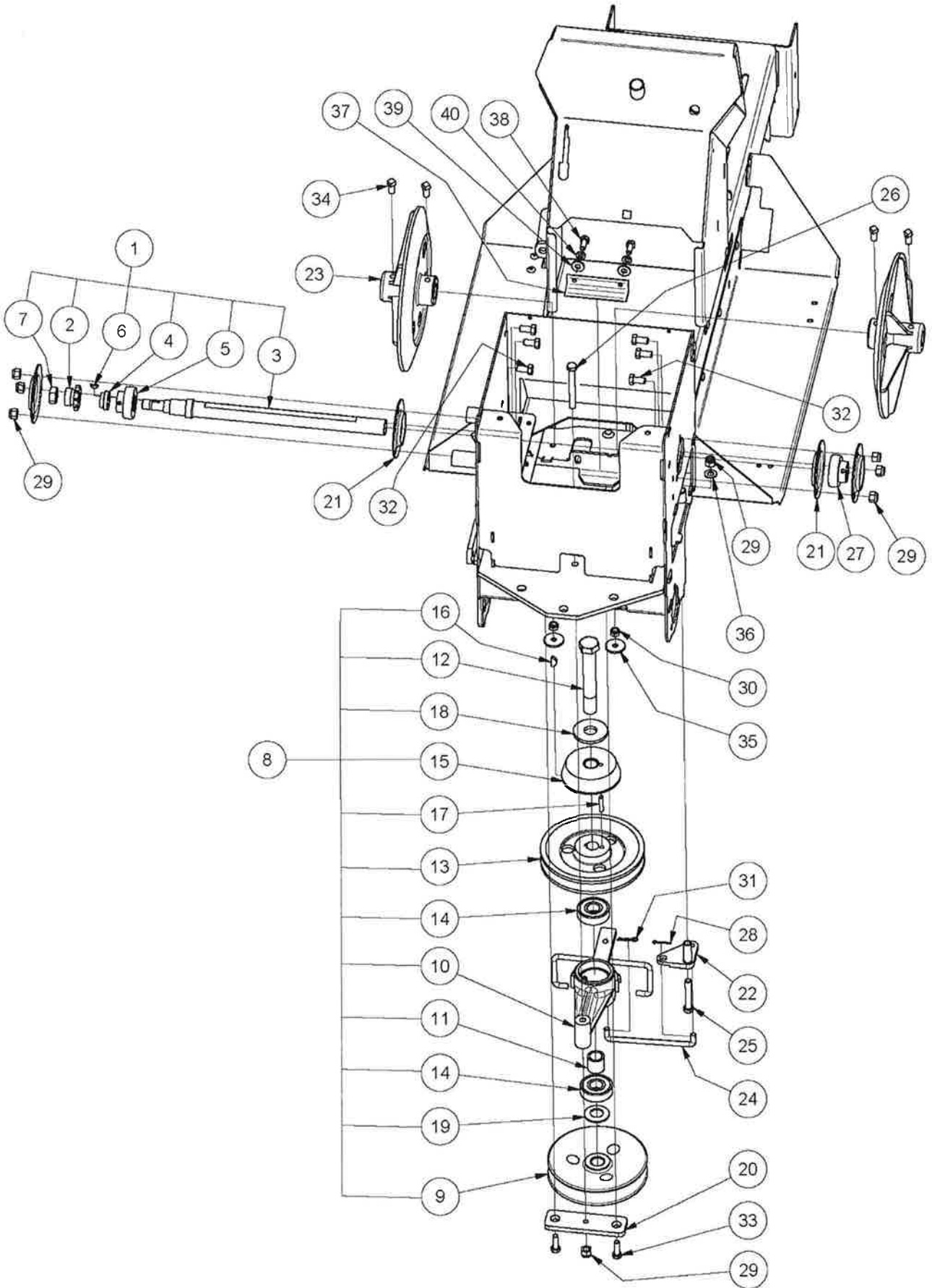
EXPLODED VIEW Model 9507J / A10107J / A10707J Transmission Components



Model 9507J, A10107J, A10707J :- Transmission Components

ITEM	PART NUMBER	DESCRIPTION	QTY
1	13259	Sub-Assy, Intershaft	1
2	SKIT65	Intershaft Sprocket & Key	1
3	AM363	Shaft, Mounting, Clutch Plate	1
4	AM364	Sleeve, Spacer, Shaft	1
5	BB25SAN	Bearing, Ball	1
6	SK03	Key Woodruff	1
7	N10FT	Nut	1
8	90225	Sub-Assy, Clutch, New Era	1
9	252001	Clutch Pulley Lower	1
10	90226	Arm-Clutch-New Era-Black	1
11	AM072	Sleeve, Spacer, Bearing	1
12	AM204J3	Clutch Shaft	1
13	AM326	Clutch Pulley	1
14	BB205215NS	Bearing, Ball	2
15	KIT187	Cone, Drive	1
16	SK09	Key, Woodruff	1
17	PDM0630	Pin, Dowel	1
18	W205505B	Washer, Flat	1
19	WSCM20402.0	Washer, Spring, Conical	1
20	90228	Plate, Adjust, Clutch	1
21	AM024	Flangette 25mm	4
22	AM182E94	Clutch Rod Pivot Lever	1
23	AM197	Clutch Plate	2
24	AM238	Rod, Clutch, Short	1
25	B0636C	Bolt	1
26	B0652C	Bolt	1
27	BB25SAN	Bearing, Ball	1
28	CP3-220	Pin, Split	1
29	NF06CN	Nut	8
30	NM8NT	Nut	2
31	RP01	Pin, 'R'	1
32	SH0612C	Screw	6
33	SH0825M	Screw	2
34	SS0612W	Screw, Set, Sq Hd	4
35	W052003	Washer, Flat	2
36	W061216	Washer, Flat	1
37	AM246	Clutch Brkt Wear Plate	1
38	SH0512C	Screw	2
39	W05M202	Washer, Flat	2
40	WS050216	Washer, Lock	2

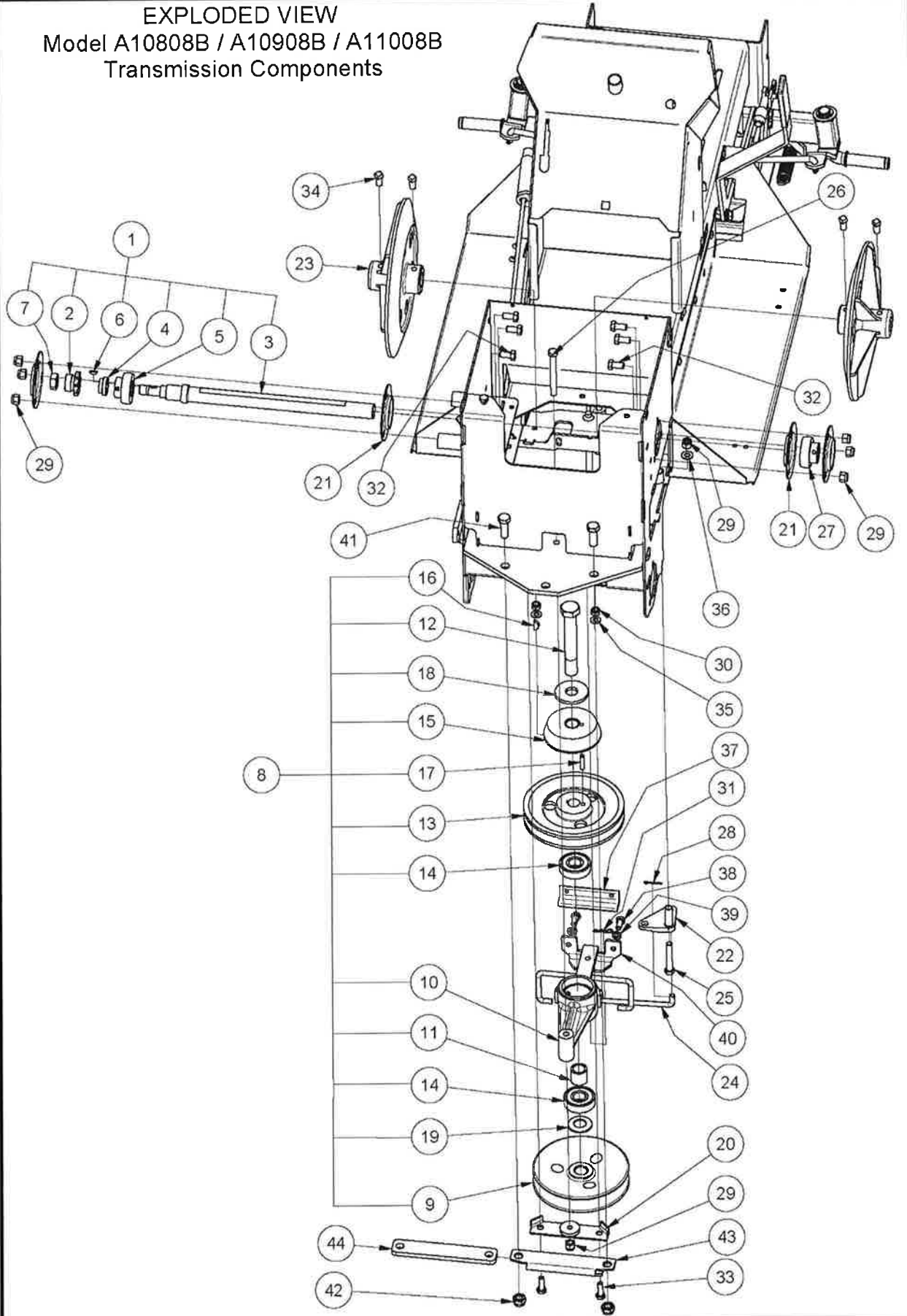
Model A10807M, A10907M, A11007M :- Transmission Components



Model A10807M, A10907M, A11007M :- Transmission Components

ITEM	PART NUMBER	DESCRIPTION	QTY
1	13259	Sub-Assy, Intershaft	1
2	SKIT65	Intershaft Sprocket & Key	1
3	AM363	Shaft, Mounting, Clutch Plate	1
4	AM364	Sleeve, Spacer, Shaft	1
5	BB25SAN	Bearing, Ball	1
6	SK03	Key Woodruff	1
7	N10FT	Nut	1
8	90225	Sub-Assy, Clutch, New Era	1
9	252001	Clutch Pulley Lower	1
10	90226	Arm-Clutch-New Era-Black	1
11	AM072	Sleeve, Spacer, Bearing	1
12	AM204J3	Clutch Shaft	1
13	AM326	Clutch Pulley	1
14	BB205215NS	Bearing, Ball	2
15	KIT187	Cone, Drive	1
16	SK09	Key, Woodruff	1
17	PDM0630	Pin, Dowel	1
18	W205505B	Washer, Flat	1
19	WSCM20402.0	Washer, Spring, Conical	1
20	A108105Z	Mount, Adj, Pivot, Clutch	1
	A108107Z	Bracket, Adjuster, Support, Tang	1
21	AM024	Flangette 25mm	4
22	AM182E94	Clutch Rod Pivot Lever	1
23	AM197	Clutch Plate	2
24	AM238	Rod, Clutch, Short	1
25	B0636C	Bolt	1
26	B0656C	Bolt	1
27	BB25SAN	Bearing, Ball	1
28	CP3-220	Pin, Split	1
29	NF06CN	Nut	8
30	NM8NT	Nut	2
31	RP01	Pin, 'R'	1
32	SH0612C	Screw	6
33	SH0825M	Screw	2
34	SS0612W	Screw, Set, Sq Hd	4
35	W052003	Washer, Flat	2
36	W061216	Washer, Flat	1
37	AM246	Clutch Brkt Wear Plate	1
38	SH0512C	Screw	2
39	W05M202	Washer, Flat	2
40	WS050216	Washer, Lock	2

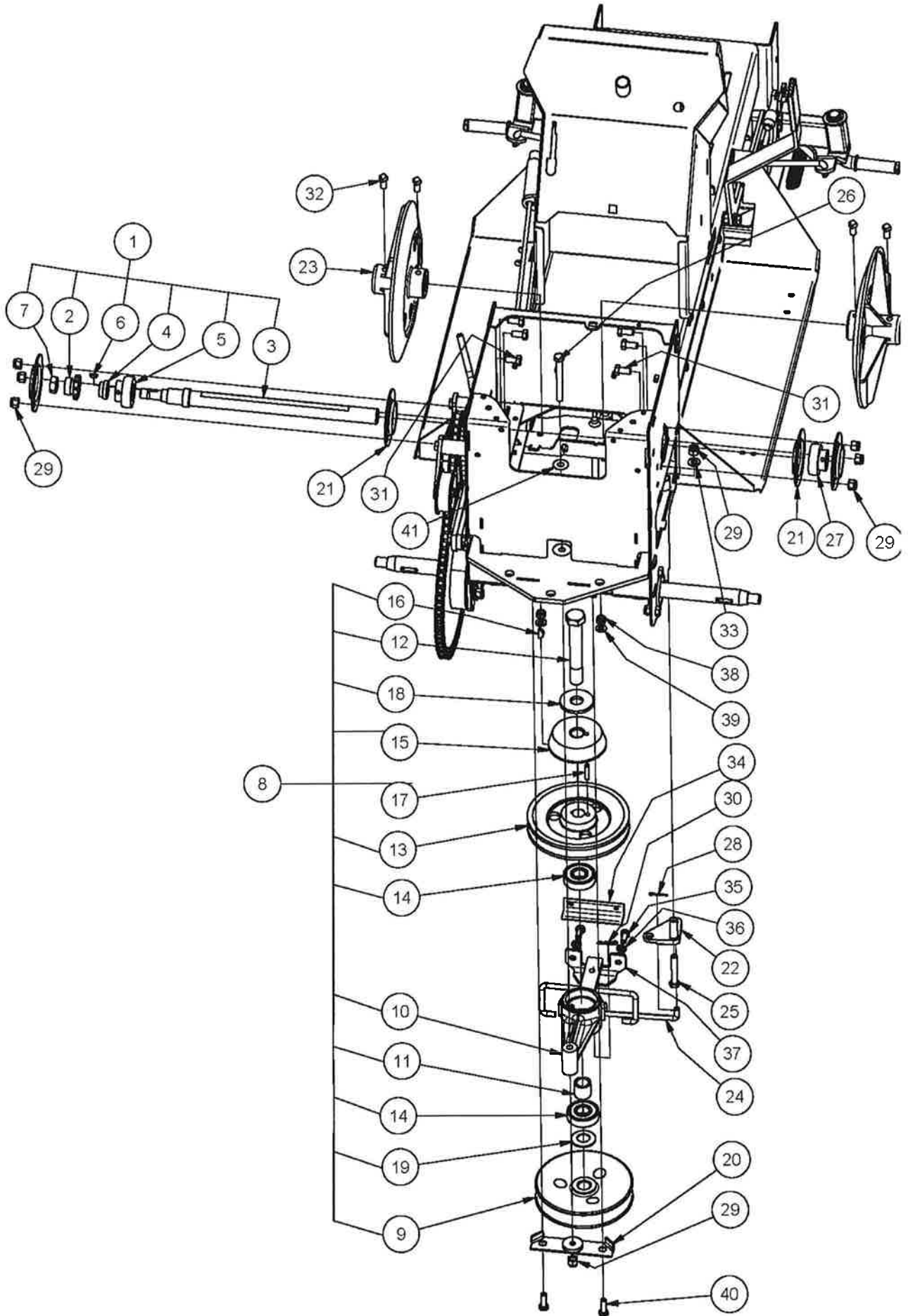
EXPLODED VIEW
Model A10808B / A10908B / A11008B
Transmission Components



Model A10808B, A10908B, A11008B:- Transmission Components

ITEM	PART NUMBER	DESCRIPTION	QTY
1	13259	Sub-Assy, Intershaft	1
2	SKIT65	Intershaft Sprocket & Key	1
3	AM363	Shaft, Mounting, Clutch Plate	1
4	AM364	Sleeve, Spacer, Shaft	1
5	BB25SAN	Bearing, Ball	1
6	SK03	Key	1
7	N10FT	Nut	1
8	90225	Sub-Assy, Clutch	1
9	252001	Clutch Pulley Lower	1
10	90226	Arm-Clutch	1
11	AM072	Sleeve, Spacer, Bearing	1
12	AM204J3	Clutch Shaft	1
13	AM326	Clutch Pulley	1
14	BB205215NS	Bearing, Ball	2
15	KIT187	Cone, Drive	1
16	SK09	Key	1
17	PDM0630	Pin, Dowel, M 6x 30	1
18	W205505B	Washer, Flat	1
19	WSCM20402.0	Washer, Spring, Conical	1
20	A108105Z	Mount, Adjust, Pivot, Clutch	1
20	NM8NT	Nut	2
21	AM024	Flangette 25mm	4
22	AM182	Clutch Rod Pivot Lever	1
23	AM197	Clutch Plate	2
24	AM238	Rod, Clutch, Short	1
25	B0636C	Bolt	1
26	B0656C	Bolt	1
27	BB25SAN	Bearing, Ball	1
28	CP3-220	Pin, Split	1
29	NF06CN	Nut	8
30	NM8NT	Nut	2
31	RP01	Pin, 'R'	1
32	SH0612C	Screw	6
33	SH0825M	Screw	2
34	SS0612W	Screw	4
35	W08MN	Washer, Flat	2
36	W061216	Washer, Flat	1
37	AM246	Clutch Brkt Wear Plate	1
38	SH0512C	Screw	2
39	WS050216	Washer, Lock, Spring	2
40	A108107Z	Bracket, Adjust, Support, Tang	1
41	SH1235M	Screw	2
42	NM12NT	Nut	2
43	A108040Z	Brace, Panel, Mount, Adjust, Pivot	1
44	A108042Z	Clamp, Brace	1

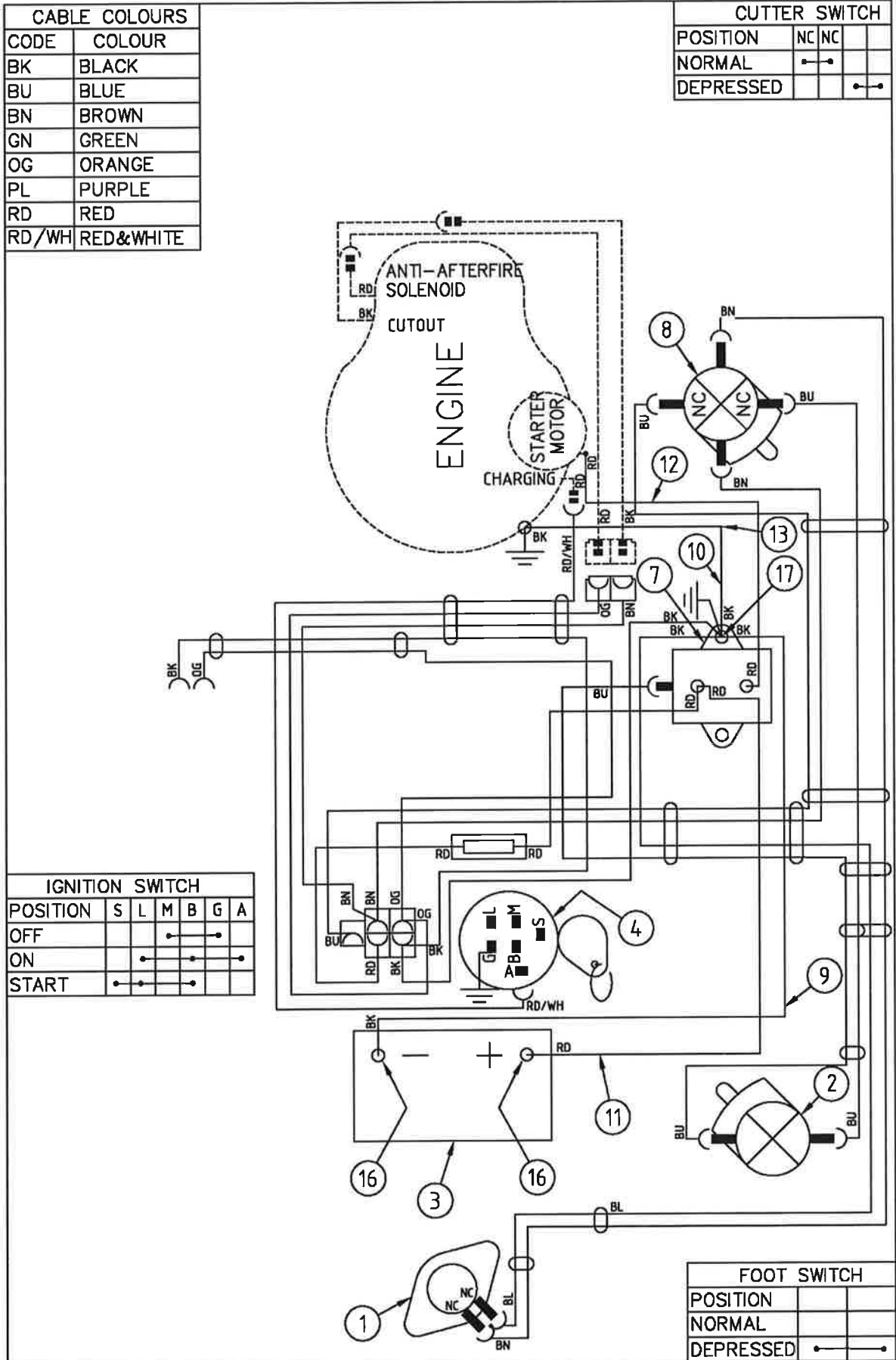
Exploded View Model A10808C, A10908C, A11008C :- Transmission Components



Model A10808C, A10908C, A11008C :- Transmission Components

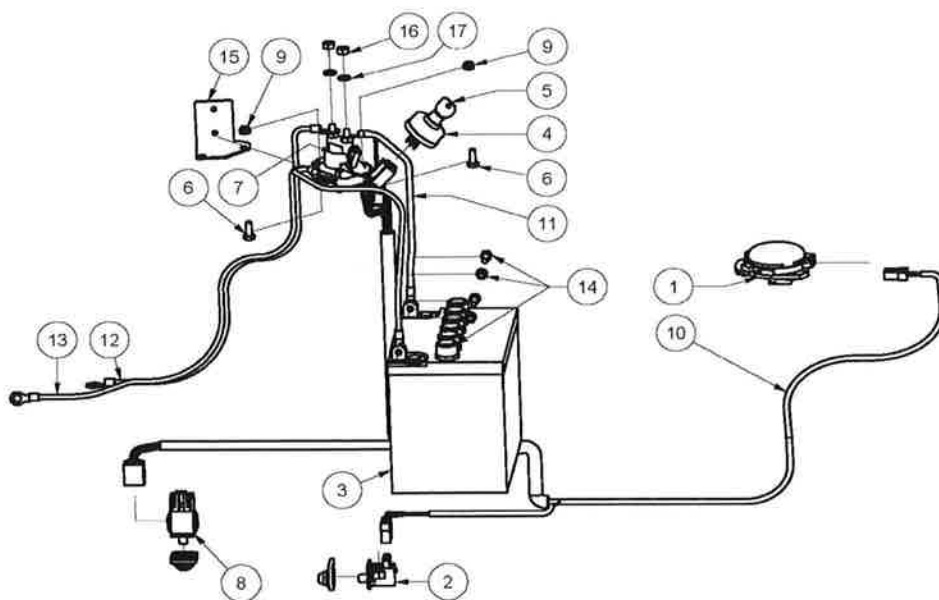
ITEM	PART NUMBER	DESCRIPTION	QTY
1	13259	Sub-Assy, Intershaft	1
2	SKIT65	Intershaft Sprocket & Key	1
3	AM363	Shaft, Mounting, Clutch Plate	1
4	AM364	Sleeve, Spacer, Shaft	1
5	BB25SAN	Bearing, Ball	1
6	SK03	Key	1
7	N10FT	Nut	1
8	90225	Sub-Assy, Clutch	1
9	252001	Clutch Pulley Lower	1
10	90226	Arm, Clutch	1
11	AM072	Sleeve, Spacer, Bearing	1
12	AM204J3	Clutch Shaft	1
13	AM326	Clutch Pulley	1
14	BB205215NS	Bearing, Ball	2
15	KIT187	Cone, Drive	1
16	SK09	Key	1
17	PDM0630	Pin	1
18	W205505B	Washer, Flat	1
19	WSCM20402.0	Washer, Spring, Conical	1
20	A108105Z	Mount, Adjust, Pivot, Clutch, Znpl	1
21	AM024	Flangette 25mm	8
22	AM182E94	Clutch Rod Pivot Lever	1
23	AM197	Clutch Plate	2
24	AM238	Rod, Clutch, Short	1
25	B0636C	Bolt	1
26	B0656C	Bolt	1
27	BB25SAN	Bearing, Ball	3
28	CP3-220	Pin, Split	1
29	NF06CN	Nut, Hex	16
30	RP01	Pin, 'R'	1
31	SH0612C	Screw	12
32	SS0612W	Screw, Set	4
33	W061216	Washer, Flat	4
34	AM246	Clutch Brkt Wear	1
35	SH0512C	Screw	2
36	WS050216	Washer, Lock, Spring	2
37	A108107Z	Bracket, Adjust, Support, Tang	1
38	NM8NT	Nut	2
39	W08MN	Washer, Flat	2
40	SH0825M	Screw	2
41	WW0616	Washer, Wave	1

Wiring Diagram :- Electrical Components

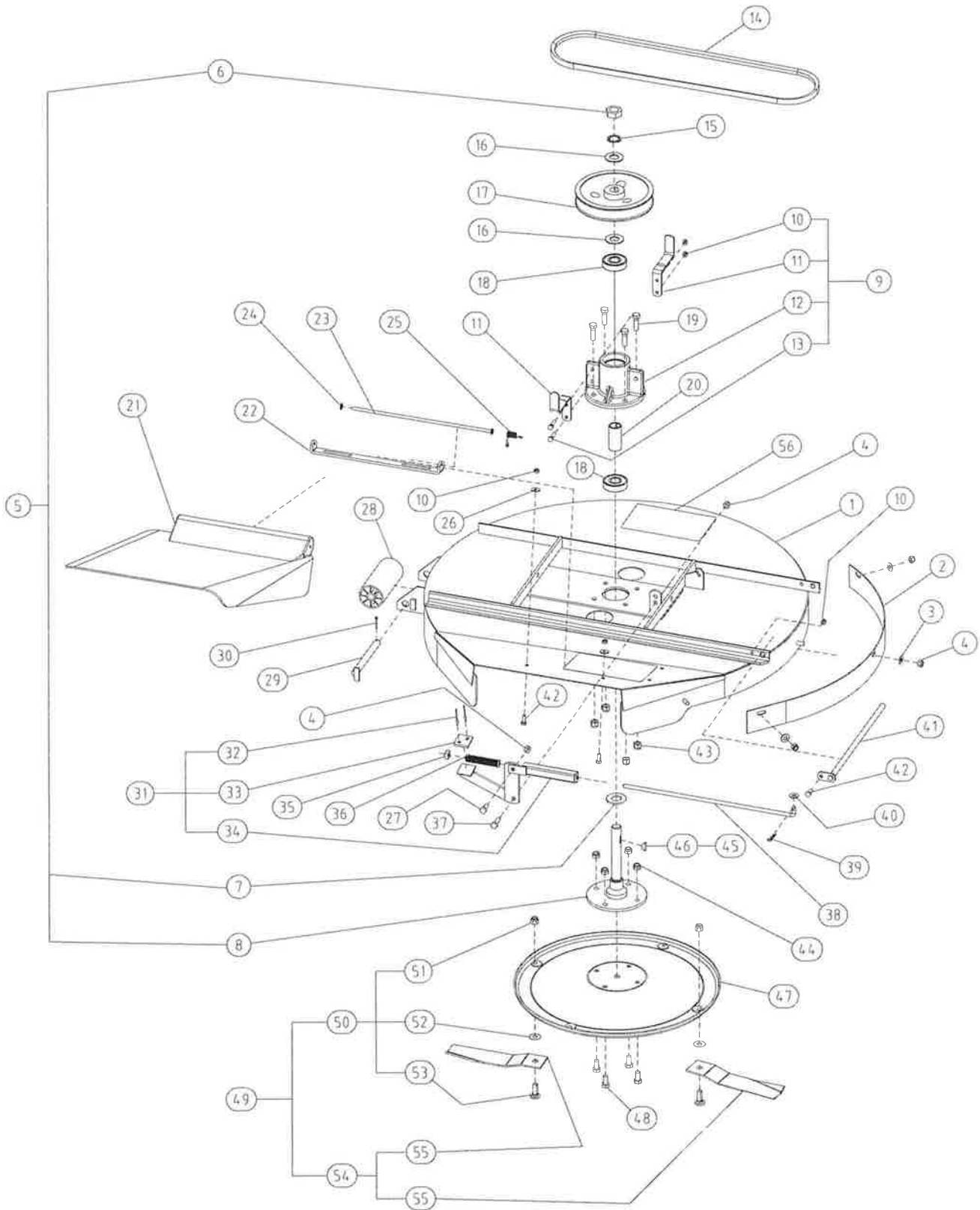


Model 9505G, 9506J, 9507J, 9506C, 9506M, A10707J, A10106J, A10107J, A10807M, A10808B, A10808C. A11007M, A11008B, A11008C, A10907M, A10908B, A10908C:- Electrical Components

ITEM	PART NO	DESCRIPTION	QTY
1	SP1PNC5M	Seat Switch	1
2	SKIT132	Foot Switch	1
3		Battery - Sealed—Purchase Locally	1
4	AM014	Ignition Switch 13HP B&S	1
	13125	Ignition Switch 15.5HP B&S and 13HP HONDA	1
5	AM015	Ignition Key	2
7	AM159	Solenoid	1
8	SKIT133	Disengaging Switch	1
10	80008	Wiring Harness 13HP B&S	1
	8002604F	Wiring Harness 15.5HP B&S	1
	A107026	Wiring Harness Main 13HP Honda	1
	13111	Engine Wiring Harness 13HP Honda	1
	13149	Lead Earth, Fuel Pump 13HP Honda	1
11	89082	Battery to Solenoid (Red) Lead	1
12	AM265	Solenoid to Starter Motor (Red)	1
13	15235	Chassis to Engine & Battery Lead (Black)	1
15	95065	Solenoid Bracket	1
	PR0306	Solenoid Bracket Rivet	2
16	SH0616M	Battery Terminal Bolt	2
	NM6NT	Battery Terminal Bolt Nut	2
17	W040816	Solenoid Mounting Bolt Washer	2
18	NM6NT	Solenoid Mounting Bolt Nut	2
19	SH0616M	Solenoid Mounting Bolt	2
	AM096	Loom Clamp	1
	PR0306	Loom Clamp Pop Rivet	1
	W030620	Pop Rivet Washer	2



Model C918004J :- 805 mm (32") Mowing Attachment

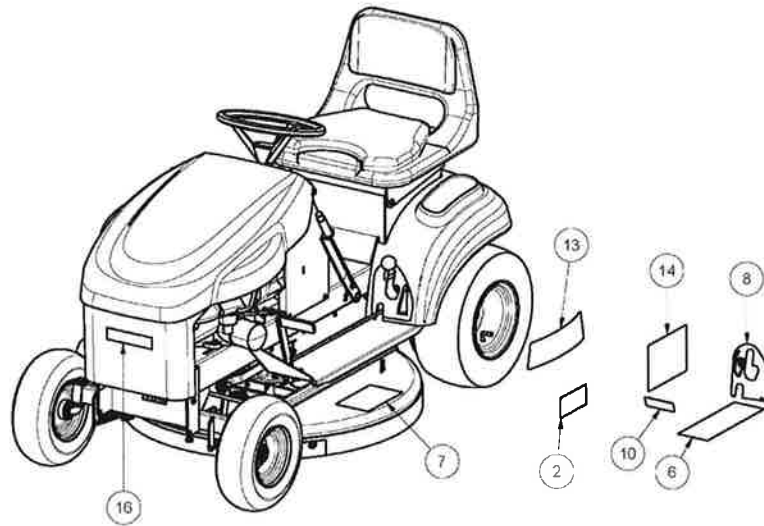
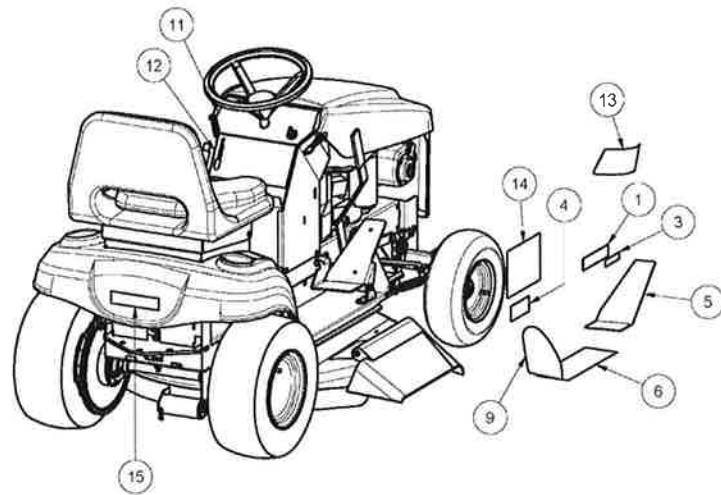


**** Optional Accessory—C94 Mulching Kit**

Model C918004J :- 805 mm (32") Mowing Attachment

ITEM	PART NO	DESCRIPTION	QTY
1	91001	Cutter Housing 32"	1
2	91002	Cutter Guard 32"	1
	BCHSNM8X20	32" Cutter Guard Ret Bolt	3
3	W051216	Washer	3
4	NM8NT	Nut	5
5	13181	Cutter Spindle Inc Washer & Nut	1
6	NHM20X1.5T	Nut	1
7,8	13128	Washer	1
9,12	SKIT08	Bearing Housing Inc Belt Guides	1
10	NM6NT	Nut	5
11	AM073	Belt Guide	2
13	B0625M	Bolt	2
14	V44	Vee Belt	1
15	WM20S	Washer	1
16	W203902	Washer	2
17	AM030	Pulley	1
18	BB205215NS	Ball Bearing	2
19	B0620C	Bolt	4
20	AM029	Bearing Spacer Sleeve	1
21	AM259	Deflector	1
22	AM052E1	Deflector Bracket	1
23	AM273	Deflector Pivot Rod	1
24	AM274	Push On Fastener	1
25	AM272	Deflector Spring	1
26	W041216	Washer	2
27	SH0820M	Screw	1
28	AM036	Roller	1
29	AM037	Cutter Housing Roller Shaft	1
30	CP3-220	Split Pin	1
31	KIT15	Cutter Brake incl Pad	1
32	PR0205	Rivet	2
33	AM033I95	Cutter Brake Pad	1
34	AM034H0	Cutter Brake Adjust Bracket	1
35	NS05C	Nut—Square	1
36	AM035	Cutter Brake Compression Spring	1
37	SH0825M	Screw	1
38	251301	Cutter Brake Adj Rod	1
39	RP01	'R' Pin	1
40	W051218	Washer	1
41	13016	Pivot Pin	1
42	SH0616M	Screw	3
43	NF06CN	Nut	4
44	N06CN	Nut	4
45,46	SK09	Woodruff Key	2
47	AM07604A	Cutter Disc	1
48	SH0612C	Screw	4
49	SKIT54	Blade, Bolt, Nut, Washer Set 32" Stepped Low Lift	1
	SKIT55	Blade, Bolt, Nut, Washer Set 32" Stepped High Lift	1
50,51,52,53	SKIT01D1	Bolt, Nut, Washer Set	1
54,55	SMB198SHD	Blade Set Stepped Low Lift	1
	SMB198AHD	Blade Set Stepped High Lift	2
56	DEC116	Decal—Danger Mower Attachment	1

Model 9505G, 9506J, 9507J, 9506C, 9506M, A10707J, A10106J, A10107J, A10807M, A10808B, A10808C. A11007M, A11008B, A11008C, A10907M, A10908B, A10908C:- Decals



ITEM	PART NUMBER	DESCRIPTION	QTY
1	DEC125	Decal, Cutter Disengage	1
2	DEC127	Decal, Mount This Side Only	1
3	DEC135	Decal, Caution, Hot Muffler	1
4	DEC136	Decal, Drive Pedal	1
5	8906608A	Non-Slip, Drive Pedal	1
6	13094	Pad, Non-Slip, Running Board	2
7	DEC116	Decal, Danger, Mowing Attachment	2
8	DEC197	Decal, Park Brake	1
9	DEC198	Decal, Depress to Start	1
10	95067	Non-Slip, Brake Pedal	1
11	DEC202	Decal, Console Top	1
12	DEC203	Decal, Console, Lower	1
13	DEC204	Decal, Bonnet Sides 13/32	2
	DEC209	Decal, Bonnet Sides 15/32	2
14	DEC207	Decal, 13/32, 13 Hp	2
	DEC212	Decal, Console Side 15/32	2
15	DEC205	Decal, Cox Logo, Rear	1
16	DEC206	Decal, Bonnet, Front	1



Cox Industries (Australia) Pty Ltd

**70 Landseer Street
Acacia Ridge Qld 4110
Australia**

PH 07 3323 2222 FAX 07 3344 6233

Web Site Address: www.coxmowers.com.au

Email: sales@coxmowers.com.au