



LAWNBOSS ZERO TURNING RADIUS RIDE-ON MOWER

OWNER/OPERATORS MANUAL

Incl

ILLUSTRATED PARTS LIST

MODELS A19117K & A19120G



READ THIS MANUAL BEFORE OPERATING MACHINE

DEATH, PERSONAL INJURY AND/OR PROPERTY DAMAGE MAY OCCUR UNLESS INSTRUCTIONS IN THIS MANUAL ARE FOLLOWED

NOTE: Bring this Manual when Service & or Warranty work is required.

REGISTER YOUR WARRANTY ONLINE

<http://www.coxmowers.com.au/warranty-registration/>

OWNERS INFORMATION

MACHINE MODEL NO. _____

SERIAL NO: _____

Located on label on Housing under Seat

POWERBOSS ENGINE : _MODEL: _____

BRIGGS & STRATTON ENGINE MODEL: _____ TYPE _____
CODE _____

DATE OF PURCHASE: _____

ISSUED TO:

OWNERS NAME: _____

ADDRESS: _____

TOWN/CITY: _____ STATE: _____

ISSUED BY:

AUTHORISED COX DEALER/
DISTRIBUTOR: _____

ADDRESS: _____

TOWN/CITY: _____ STATE: _____

PRE DELIVERY CHECK LIST

Check parts Assemble Service Instruction

ALWAYS KEEP THIS MANUAL IN A SAFE PLACE.

SAFETY INSTRUCTIONS

- Read, understand, & follow all instructions in the Owner/Operators manual.
- Know the controls and how to stop the engine quickly in an emergency.
- Allow only responsible adults, who are familiar with the instructions in this manual, to operate the machine.
- Clear the area to be mowed of loose objects such as sticks, stones, bones, wire, toys, debris, etc., which could be picked up and thrown by the blades.
- DO NOT mow whilst people, especially children, or pets are in the mowing area.
- DO NOT mow either direction on slopes beyond 15 degrees (1 in 3.75)
- Exercise extreme caution on slopes.
- Reduce speed on slopes and in sharp turns to prevent overturning or loss of control.
- Start or stop slowly when on slopes.
- Mow up and down slopes, not across the slope.
- Stay alert for holes or bumps in the terrain and other hidden hazards.
- Watch out for traffic when crossing or operating the mower near roadways.
- Stop the blades rotating before crossing surfaces other than grass.
- When using attachments, never direct discharge of material toward bystanders nor allow anyone near the machine while it is in operation.
- Before leaving the operators position-
 - a] Disengage all clutches and secure cutting units;
 - b] Return drive levers to neutral position and set the parking brake;
 - c] Stop the engine and remove the key.
- Disengage drive to attachments and stop engine-
 - a] Before refueling.
 - b] Before checking, cleaning or working on the mower;
 - c] After striking a foreign object (check the mower for damage and make repairs before restarting and operating the equipment);
 - d] If machine starts to vibrate abnormally (check immediately).
- Disengage drive to attachments when transporting or not in use.
- A mower operator should be in good physical and mental health and not under the influence of alcohol or any drug which might impair vision, co-ordination or judgment.
- Never mow while barefoot or wearing open sandals or thongs. Wear long trousers and heavy shoes.
- It is advisable to wear suitable eye protection when operating a mower.
- Mow only in daylight or good artificial light.
- Before using, always visually inspect to see that cutter blades are not loose, worn or damaged. Replace worn or damaged blades.
- Check all nuts, bolts, and screws often; always be sure the mower is in safe operating condition.
- Keep safety devices (guards and switches) in place and in working order.
- Never use the mower unless the guards provided by the manufacturer, are in position.
- Ensure any replacement parts used comply with the original manufacture's recommendations and specifications.
- Replace worn or faulty silencers.
- Keep machine free of grass, leaves or other debris, excessive oil, grease, or spilt fuel. These can be a fire hazard.
- Refuel outdoors only. Do not smoke while refueling engine. Never remove the cap of the fuel tank or add petrol while the engine is running or the engine is hot. Remove fuel cap slowly to relieve any tank pressure. If fuel is spilled, do not attempt to start the engine but move machine away from the area of the spill and avoid creating any source of ignition until fuel vapors have dissipated.
- Check for fuel leaks while refueling, before and while using the mower. If a fuel leak is found, do not start or run the engine until the fuel leak is fixed and spilled fuel is wiped away.
- Do not operate engine in a confined space where exhaust fumes (carbon monoxide) can collect.
- Always mount the mower from the front or non discharge side.
- Start the engine carefully with the cutting means disengaged.
- Do not over-speed the engine or alter governor settings. Excessive speed is dangerous and shortens mower life.
- Stop the engine whenever you leave the mower, even for a moment.
- Store the mower in a well-ventilated room away from naked flames such as may be found in hot water heaters.
- Do not lend or sell the mower, without the owners/operators Manual.

PRE-DELIVERY INSTRUCTIONS

THANK YOU, for purchasing a COX LawnBOSS ZTR Ride-on Mower.

RESPONSIBILITY:

It is the responsibility of the dealer/distributors to ensure that before a machine is delivered to a customer, it is in perfect operational condition.

PROCEDURE:

Unpacking Instructions - Inspect the shipping crate and contents for damage. Position the shipping crate on a firm flat level surface with at least 3 meters distance from any obstruction to the end of the crate adjacent to the front of the Ride-on Mower.

! Caution you can be seriously injured by the metal strapping which has sharp edges and can spring out when cut. Wear gloves when handling metal strapping.

! Caution you can be seriously injured by sharp nails protruding from the shipping crate.

Cut and remove the straps restraining the Ride-on Mower to the ends of the shipping crate. Remove the end of the shipping crate adjacent to front of the Ride-on Mower. Remove the plastic sheet covering the Ride-on Mower.

Unlock the park brake by moving the park brake lever down fully. Unlock the Transaxle Disengage Link from the engaged position by lifting up then pulling fully towards the back of the Ride-on Mower then pushing down to lock in the disengaged position. Pull the Ride-on Mower from the shipping crate. Once stopped the Park Brake Lever should be locked on by pulling lever up fully. Remove the Drive Control Levers. Seat Sub-assembly, & other loose components from the packaging.

Dispose of all packaging material responsibly.

Do not leave the plastic sheet unrestrained, it can blow away to become a safety hazard.

CHECK PARTS SUPPLIED IN SEAT PROTECTION BAG

- Seat Sub-assembly (A191246)
- Pre-delivery Instruction Sheet
- Operators Guide Booklet
- Engine owner's manual
- Ignition keys (AM015)
- Seat Spring x 3 (A163060)
- Hex Screw (M8X20) x 3 (SH0820M)
- Flat Washer (M8) x 3 (W05M202)
- Nyloc Nut (M8) x 3 (NM8NT)
- Seat Spring Cap x 3 (A168231)
- Cup Head Bolt (M8x40) x 4 (BCHSNM8X40)
- Spring Lock Washer (M8) x 4 (WS05021.6)
- Dome Nut (M8) x 4 (ND08M)
- Spring Pull Hook x 1 (13127)

CHECK ITEMS SUPPLIED LOOSE

- Left Drive Control Lever (A191117)
- Right Drive Control Lever (A191118)

ASSEMBLY: TOOLS & EQUIPMENT REQUIRED:

Socket set containing 13mm a/f socket & extension 75mm (3") or longer. Spanner 13mm a/f.

Refer pictorial procedure provided.

INITIALISE HOURMETER (if fitted)

Turn the Hourmeter on by pushing the Button located below the cover adjacent to the last S of the word PowerBOSS printed on the Hourmeter until the display of the Hourmeter shows the three digits 0.00. The Hourmeter is of a vibration type and will record (once on) the number of hours the engine vibrations excites the Hourmeter.

Once on the Hourmeter will continuously display the operating hours.

INSTALL SEAT SPRINGS & MOUNT SEAT

Install the three seat springs using the screws, washers, nuts, to the Rear of the Centre Console, and tighten the screws, washers, and nuts. Install the Seat & Mounting to the Front of the Centre Console using the Screws Washers and Nuts. Attach seat switch wiring to seat switch.

INSTALL DRIVE CONTROL LEVERS -

Install the Left & Right Drive Control Levers using the Bolts, Washers, & Dome Nuts, to the sides of the Neutral Links at a height position to suit the operator.

Align the Grips on the Drive Control Levers and tighten at a backwards/forwards position to suit the operator.

ADJUST SEAT POSITION & FLOOR/FOOTREST POSITION

Adjust the Seat position to suit the operator if required.

Adjust the Floor/Footrest position to suit the operator if required.

CHECK TYRE PRESSURE

Before operation ensure that all tyre pressures are equal from side to side. The recommended pressures are:-

Front Wheel:-140 Kpa (20psi) approximately.

Rear Wheel:- 105 Kpa (15psi) 18x6.50-8 & 18x8.50-8

BATTERY

This machine is fitted with a maintenance free battery.

Recharge only if required.

ENGINE OIL

Before operation ensure that engine oil level is to the full mark on the dipstick. (Read engine owners manual for correct procedure to check & adjust oil level).

FUEL TAP

Ensure the fuel taps at the bottom inside of the Right Side Fuel Tank is turned to the on position before attempting to start engine. (Use unleaded fuel only). **Turn Fuel Tap off after use.**

CHECK OPERATION OF SAFETY START SWITCHES

Drive Lever Switches - With Cutter PTO switch in DISENGAGED position and Park Brake Lever set in the ON position and the Drive Control Levers in the DRIVE position. Attempt to start the engine. **Engine should not start.**

Cutter PTO Switch - With Drive Control Levers in the locked out NEUTRAL position and Park Brake Lever set in the ON position, and Cutter PTO Switch in the ENGAGED position. Attempt to start engine. **Engine should not start.**

Park Brake Lever Switch -

With Cutter PTO Switch in DISENGAGED position and the Drive Control Levers set in the locked out NEURAL position, and the Park Brake Lever in the OFF position. Attempt to start the engine. **Engine should not start.**

With Cutter PTO Switch in DISENGAGED position and the Drive Control Levers in the locked out NEUTRAL position and the Park Brake Lever set in the ON position. Attempt to start the Engine. **Engine should start.**

Seat Switch -

While sitting on stationary machine with Engine running ENGAGE Cutter PTO Switch. Lift weight from Seat. **Engine should stop.**

While sitting on stationary machine with Engine running and Cutter PTO Switch in DISENGAGED position, set the Park Brake Lever in the OFF position and then the Drive Control Levers in the DRIVE position. Lift weight from Seat. **Engine should stop.**

Drive Control Lever Switches -

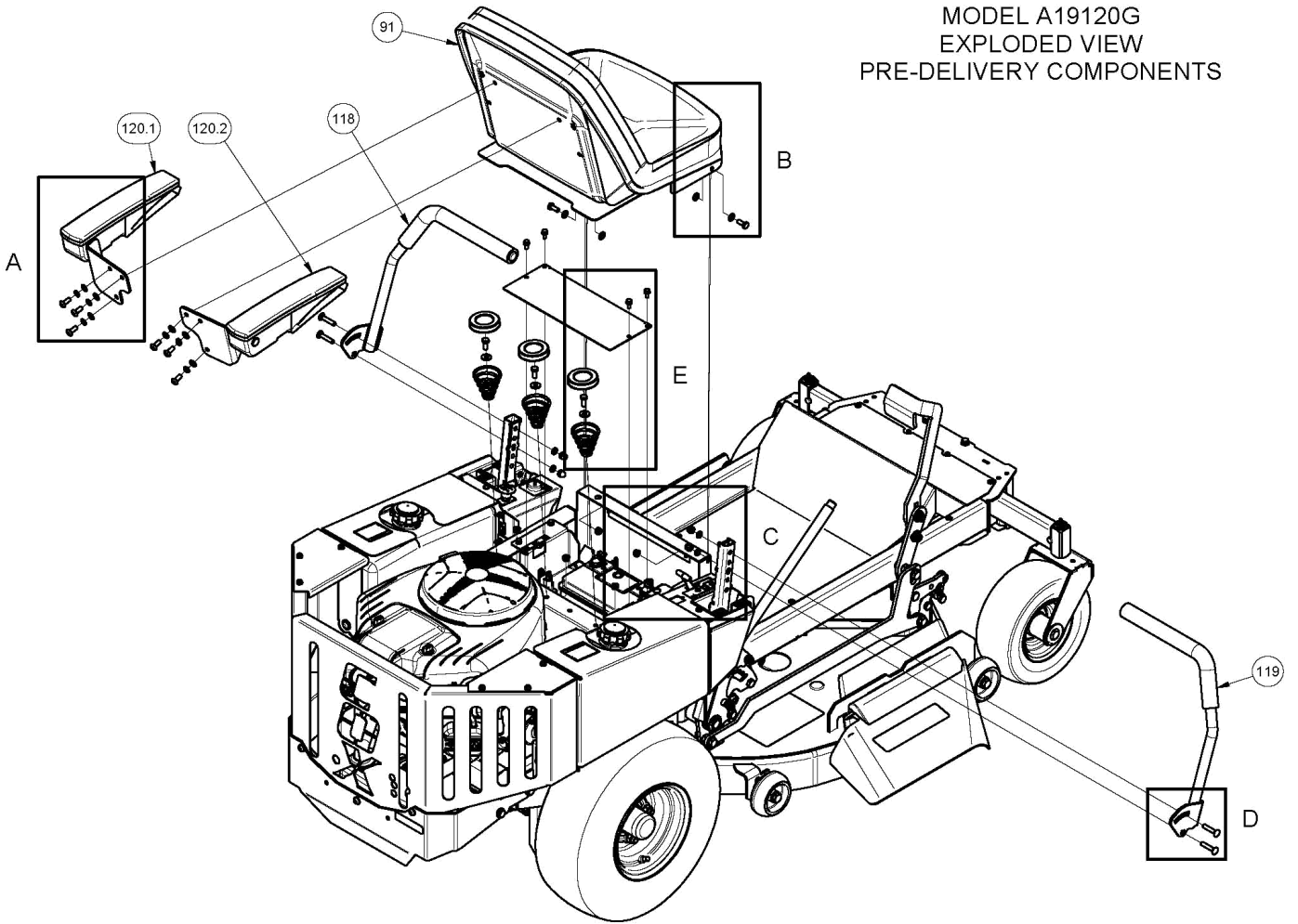
While sitting on stationary machine with Engine running and Cutter PTO Switch in DISENGAGED position and Park Brake Lever set in the ON position attempt to move the Drive Control Levers to the DRIVE position. **Engine should stop.**

Park Brake Lever Switches -

While sitting on stationary machine with Engine running and Cutter PTO Switch in DISENGAGED position, and Drive Control Levers in DRIVE position, attempt to set the Park Brake Lever in the ON position.

Engine should stop.

MODEL A19120G
EXPLODED VIEW
PRE-DELIVERY COMPONENTS



DETAIL A

DETAIL B

DETAIL C

DETAIL D

ISOMETRIC VIEW
13127

DETAIL E

ITEM	PART NUMBER	DESCRIPTION	QTY
7	NM8NT	NUT, HEX, NYLOC, THIN, M 8, PC6, ZNPL	5
12	W08MN	WASHER, FLAT, BRIGHT, M 8X 17X1, 2, ZNPL	4
89	SH0820M	SCREW, HEX, M 8X 20, PC8.8, ZNPL	5
91	A168445	SUB-ASSY, SEAT, YY25, 4500/CRUISER/LBOSSZTR	1
92	BCHSNM8X40	BOLT, CUP, SQ NECK, M8 x 40 PC4.6, ZNPL	4
93	WS050216	WASHER, LOCK, SPRING, 5/16"X1/8"X1/16", ZNPL	4
94	ND08M	NUT, HEX, DOME, M 8, NIPL	4
99	A168231	CAP, SPRING, SEAT, BLACK, STP-2 1/2	3
100	W05M202	WASHER, FLAT, BLACK, M 8X 21.0X 2.0, ZNPL	3
118	A191417	SUB-ASSY, LEVER, CONTROL, DRIVE, LEFT, BLKRIP	1
119	A191418	SUB-ASSY, LEVER, CONTROL, DRIVE, RIGHT, BLKRIP	1
120	A172053	KIT, ARMREST, SEAT, YY25, INC FASTENERS	1
120.1		ARMREST, SEAT, YY25, LEFT	1
120.2		ARMREST, SEAT, YY25, RIGHT	1
120.3	SPM8X20	SCREW, PAN, PHIL2, M8X 20, ZNPL	6
120.4	WS050216	WASHER, LOCK, SPRING, 5/16"X1/8"X1/16", ZNPL	6
120.5	W08MN	WASHER, FLAT, BRIGHT, M 8X 17X1, 2, ZNPL	6
135	A163060	SPRING, COMPRESSION, CONICAL, SEAT, HEAVY	3
136	A19120G	DOCUMENTATION, USER, LAWNBOSS ZTR	1
137	ENGMANTWINCYLBS	ENGINE MANUAL, TWIN CYLINDER, B&S	1
138	KEY13125	KEY, SWITCH, PAIR, INC WITH 13125	1
139	KEYRINGDUO	KEYRING, RUBBER, COX/GREENFIELD/P.BOSS	1
140	13127	HOOK, SPRING PULL	1

MODEL A19120G
EXPLODED DETAIL VIEWS
PRE-DELIVERY COMPONENTS

OPERATING INSTRUCTIONS

IMPORTANT

The careless or improper use of a machine of this type can be dangerous. The manufacturer or selling agent does not accept responsibility for accident either to the operator, to the owner or to any person directly or indirectly or to property if such accident is caused by circumstances arising other than by the negligence or default of COX INDUSTRIES.

RECOMMENDED FUEL

Unleaded fuel is recommended by all manufacturers of engines fitted to Cox products (up to 10% ethanol blended unleaded fuel is acceptable).

SAFETY SWITCHES

Before operating machine, ensure that all safety switches are operating correctly as per Pre-delivery Instructions. Do not operate machine with faulty, missing or damaged safety switches.



BLADE WARNING



Do not use mowing attachment with broken, bent, or damaged blades, or damaged or worn bolts and nuts otherwise damage and premature wear will result from vibration. Recommended Cutter Blade Bolt and Nut torque is 36-40Nm. Do not over tighten.

Keep feet and hands clear of the mowing attachment at all times while operating or attempting to start the machine.



WARNING



DO NOT OPERATE THE MOWING ATTACHMENT WITHOUT DISCHARGE DEFLECTOR FITTED & DOWN.

Reference to left or right hand side of machine is determined by sitting in the operating position on the machine.

Safety footwear is recommended when operating machine.

Mount and dismount only from the centre front or non discharge side of machine.

Ensure machine has Park Brake Lever set in the ON position and Drive Levers are in the locked out NEUTRAL position and Cutter PTO Switch is in the DISENGAGED position while attempting to start engine.

Never allow engine revs to exceed 3600 RPM.

TO OPERATE

BEFORE STARTING/SWITCHING OFF:

Read & Follow Engine Owners Manual Instructions.

Before stopping the engine:

Stop the mowing attachment

Return the engine speed control to slow position .

Then turn the Key Switch to the OFF position.

STARTING ENGINE

When starting machine, place Drive Levers in the locked out NEUTRAL position. Ensure that Cutter PTO Switch is in the DISENGAGED position and the Park Brake Lever is set in the ON position otherwise electric start will not be activated. If engine is cold, pull choke control (if equipped) up to choke position and engine speed control knob to fast position, or move engine speed control knob to choke position. Turn key switch to start position and release to the on position once engine has started. Once engine is running gradually return the choke control (if equipped) to depressed position, or move engine speed control to the fast position. Do not continue to operate the engine in the choke position.

If engine is hot move engine speed control to the fast position. Turn key switch to start position and release to the on position once engine has started.

TO OPERATE THE MOWING ATTACHMENT:

Bring the engine up to the normal operating speed.

The Mowing Attachment is engaged by pulling up the large yellow knob (P.T.O. Switch) on the left hand control panel.

Before starting ensure knob is in the disengaged position (down). For safety it is advisable that the mowing attachment be not operating (Cutter PTO Switch be in the disengaged position) other than when mowing grass.

TO DRIVE FORWARD/REVERSE:

Engine speed and ultimate drive speed is regulated by setting the engine speed control to desired engine speed.

To drive forward push both the drive control levers forward from the neutral position.

To drive in reverse pull both the drive control levers back from the neutral position.

The further the drive control levers are moved from neutral the faster the drive speed.

To slow down when driving forward pull both drive control levers back.

To slow down when driving in reverse push both drive control levers forward.

The position of the drive control levers can be used to control the ground speed, especially in heavier conditions. Owing to the inline action of the drive levers, it is possible to take the machine straight from forward to reverse and vice versa.

MANOEUVRING/TURNING:

The independent forward and reverse operation of 2 separate drives makes the machine very manoeuvrable and the sharpest turns can be negotiated easily and quickly.

Move the left hand drive control lever forward to turn the machine in a right hand turn direction.

Move the right hand drive control lever forward to turn the machine in a left hand turn direction

Move the left hand drive control lever backwards to turn the machine in a left hand turn direction.

Move the right hand drive control lever backwards to turn the machine in a right hand turn direction.

Adjustment of the speed of each rear wheel to suit the turning manoeuvre required will minimise the possible damage to the turf caused by having one wheel rotating too slow for the manoeuvre required.

NOTE: When mowing on slopes, keep drive levers in forward or reverse, depending on direction of travel. The low gearing will prevent it from picking up excessive speed. If very steep it may be necessary to reduce engine speed slightly.

TO BRAKE (WITH ENGINE RUNNING):

The drive levers should be used to stop the machine travel.

Do not use the park brake lever to stop the machine travel except in an emergency as the park brake mechanism will be permanently damaged.

If travelling forward pull both drive control levers backwards evenly until the machine travel stops, then return both the drive control levers to the neutral position.

If travelling in reverse push both control levers forward evenly until the machine travel stops, then return both the drive control levers to the neutral position.

PARK AND TRANSPORTATION BRAKE:

The park brake lever is located on the front left hand side of the control housing. Pull the lever up fully to engage park brake. Push the lever down fully to disengage park brake.

Do not attempt to bring the machine to a stop using the Park Brake Lever as permanent damage will be done to the Park/Brake mechanism.

CUTTING HEIGHT ADJUSTMENT:

The cutter height adjustment lever is located on the front right hand side of the control housing, and may be raised to suit various conditions.

To raise or lower the mowing attachment, lift the height adjustment lever slightly and depress button, once button is depressed raise or lower the mowing attachment to the desired position and release button.

MAINTENANCE INSTRUCTIONS

It is the owner's responsibility to ensure that all periodical checks, necessary adjustments and services are carried out.

STOP ENGINE - Never attempt any maintenance with the engine running, remove spark plug lead and ensure the blades have stopped rotating.

Before servicing, disconnect spark plug wire and ground it, disconnect battery at negative terminal, to prevent accidental starting.

OIL CHANGING & FILTER REPLACEMENT (ENGINE): See Engine OWNERS MANUAL and carry out as per Engine Manufacturers Recommendations.

SERVICING ENGINE AIR CLEANER & FOAM PRE-CLEANER— See engine owners manual for correct method to check and service engine air cleaner & foam pre-cleaner.

LUBRICATION OF MACHINE:

Lubrication of machine must be carried out every 25 hours of operation or once a month, whichever occurs first. More frequently when operated under adverse conditions.

A few drops of oil should be placed at the following points: Height adjustment mechanism, pivot bolt and linkages on drive levers.

Grease should be applied using a grease gun at the grease nipple on the top end of each of the front caster fork shafts ensuring old grease is expelled at both the top and bottom of the shaft.

ENGINE TO TRANSAXLES V BELT ADJUSTMENT:

Is automatically adjusted by the belt tensioning spring.

ENGINE TO CUTTER V BELT ADJUSTMENT:

Is automatically adjusted by the belt tensioning springs.

TO CHECK BLADES:

Stop engine. Remove spark plug lead. lift deflector and height adjustment control to highest position and inspect blades for wear. If sharpening or replacement of mower blades is necessary, remove the plugs near the drive spindle pulleys and use a 9/16" socket & suitable length extension to remove the blades, or remove the mowing attachment for ease of blade access and general under mowing attachment inspection (see to remove mowing attachment section).

TO REMOVE MOWING ATTACHMENT:

Remove tension spring from the V belt tensioner bracket. Remove cutter belt from rear PTO pulley. Remove 4 x bolts and nyloc nuts either side on rear deck hangers. Remove rear pivot bolt from rear push link. Remove the bolt & nut on tensioner arm link and remove the tensioner arm link.

CLEANING MOWING ATTACHMENT:

Ensure the mowing attachment is clear of obstructions. Attach standard garden hose to hose adaptor on either side of mowing attachment and turn on hose. Whilst sitting in the operators seat engage and run mowing attachment for two minutes, water from the hose will then circulate under the cutter and clean it. After cleaning disengage mowing attachment and remove hose from the adaptor.

TYRE PRESSURE:

Front Wheel:-140 Kpa (20psi) approximately.

Rear Wheel:- 105 Kpa (15psi) approximately.

Uneven pressure can give an uneven finish when mowing and may cause damage to tyres and/or tubes.

BATTERY MAINTENANCE:

Sealed battery. When not in use, a battery discharges by as much as 1% a day, more when the climate is warm. To make up for this loss, a boosting charge should be given once a month. Disconnect battery terminals to charge, then allow to stand minimum 1/2hr before re-connecting. If a battery is not used for a period of more than three (3) months, the terminals should be disconnected and trickle charged at two (2) amps for two (2) hours once every three (3) months or before use.

GENUINE SPARE PARTS:

Always use Genuine Cox Factory Made Spare Parts. Use of non-genuine COX spares will void your warranty.

SAFETY FIRST:

The use of any mechanical appliance can cause injury if incorrect procedures are used. Please ensure that all family members of intended operators read this manual thoroughly.

TORQUE SETTINGS

1/4" UNC BOLT/NUT	10Nm (84lbf in)
5/16" UNC BOLT/NUT	20Nm (180lbf in)
3/8" UNC BOLT/NUT	36Nm (27lbf ft)
7/16" UNF BOLT	68Nm (50lbf ft)
6mm BOLT/NUT	9Nm (80lbf in)

We are proud that you have purchased a Cox product and urge you to follow these instructions to obtain the maximum life for your machine. If in doubt check with your supplier.

MAINTENANCE SCHEDULE

BEFORE EACH USE

Check engine oil level, adjust if required
Check engine air cleaner foam pre-cleaner, service if required
Check engine rotating screen/finger guard, clean if required
Check operation of safety switches, service if required

Check tyre pressures, adjust if required
Check for loose fasteners, tighten if required
Check cutting attachment cutter blades, bolts, nuts, housing and guards for wear or damage, replace if required

BEFORE STORAGE

Change engine oil - Clean machine - Lubricate as per required

EVERY 5 HOURS

Check engine oil level, adjust if required
Check engine air cleaner foam pre-cleaner, service if req.
Check engine rotating screen/finger guard, clean if required
Check operation of safety switches, service if required
Check tyre pressures, adjust if required

Check for loose fasteners, tighten if required
Check cutting attachment cutter blades, bolts, nuts, housing and guards for wear or damage, replace if required

1 MONTH OR 5 HOURS which ever occurs first

Change engine oil
Check engine air cleaner foam pre-cleaner, service if required
Check engine rotating screen/finger guard, clean if required
Check operation of safety switches, service if required
Check tyre pressures, adjust if required

Check mowing attachment cutter blades, bolts, nuts, housing, and guards for damage, replace if required
Check drive levers, adjust if required
Check for loose fasteners, tighten if required

DATE / / HOURS.....DEALER.....

3 MONTH OR 25 HOURS which ever occurs first

Change engine oil if operating under heavy load or high ambient temperature
Check engine air cleaner foam pre-cleaner, service if required *
Check engine rotating screen/finger guard, clean if required *
Check operation of safety switches and replace if required

Check tyre pressures, adjust if required
Check mowing attachment cutter blades, bolts, nuts, housing and guards for wear or damage, replace if required
Check for loose fasteners, tighten if required

*Service more often under dusty conditions, or where air borne debris is present

DATE / / HOURS.....CUSTOMER.....

6 MONTH OR 50 HOURS which ever occurs first

Change engine oil if operating under heavy load or high ambient temperature
Check engine air cleaner foam pre-cleaner, service if required *
Check engine rotating screen/finger guard, clean if required *
Check operation of safety switches and replace if required
Check tyre pressures, adjust if required

Check mowing attachment cutter blades, bolts, nuts, disc/s, housing, and guards for wear or damage, replace if required
Check for loose fasteners, tighten if required

*Service more often under dusty conditions, or where air borne debris is present

DATE / / HOURS.....DEALER.....

9 MONTHS OR 75 HOURS which ever occurs first

Change engine oil if operating under heavy load or high ambient temperature
Check engine air cleaner foam pre-cleaner, service if required *
Check engine rotating screen/finger guard, clean if required *
Check operation of safety switches and replace if required
Check tyre pressures, adjust if required

Check mowing attachment cutter blades, bolts, nuts, housing and guards for wear or damage, replace if required
Check for loose fasteners, tighten if required
Check drive lever for smooth action, adjust if required

*Service more often under dusty conditions, or where air borne debris is present

DATE / / HOURS.....CUSTOMER/DEALER.....

12 MONTHS OR 100 HOURS which ever occurs first

- | | |
|--|--|
| Change engine oil filter | Check for loose fasteners, tighten if required |
| Change engine oil | Check operation of safety switches, service if required |
| Check engine spark plug, clean, adjust, or replace if required | Check tyre pressures, adjust if required |
| If fitted clean engine exhaust spark arrester | Check mowing attachment cutter blades, bolts, nuts, housing and guards for wear or damage, replace if required |
| Check engine air cleaner foam pre-cleaner, service if required * | Check drive lever for smooth action, adjust if required |
| Check engine air cleaner cartridge, service if required* | Re-tension rear wheel retaining nut/s |
| Clean engine cooling system* | Check belts for wear or damage, replace if required |
| Replace in-line fuel filter | |

*Service more often under dusty conditions, or where air borne debris is present

DATE / / HOURS.....DEALER.....

15 MONTHS OR 125 HOURS which ever occurs first

- | | |
|---|--|
| Change engine oil if operating under heavy load or high ambient temperature | Check mowing attachment cutter blades, bolts, nuts, housing and guards for wear or damage, replace if required |
| Check engine air cleaner foam pre-cleaner, service if required * | Check for loose fasteners, tighten if required |
| Check engine rotating screen/finger guard, clean if required * | Check belts for wear or damage, replace if required |
| Check operation of safety switches and replace if required | |
| Check tyre pressures, adjust if required | |

*Service more often under dusty conditions, or where air borne debris is present

DATE / / HOURS.....CUSTOMER/DEALER.....

18 MONTHS OR 150 HOURS which ever occurs first

- | | |
|--|--|
| Change engine oil | Check mowing attachment cutter blades, bolts, nuts, housing and guards for wear or damage, replace if required |
| If fitted clean engine exhaust spark arrester | Check belts for wear or damage, replace if required |
| Check engine air cleaner foam pre-cleaner, service if required * | Check drive lever for smooth action, adjust if required |
| Check engine rotating screen/finger guard, clean if required * | Check for loose fasteners, tighten if required |
| Check operation of safety switches, service if required | |
| Check tyre pressures, adjust if required | |

*Service more often under dusty conditions, or where air borne debris is present

DATE / / HOURS.....DEALER.....

21 MONTHS OR 175 HOURS which ever occurs first

- | | |
|---|--|
| Change engine oil if operating under heavy load or high ambient temperature | Check tyre pressures, adjust if required |
| Check engine air cleaner foam pre-cleaner, service if required * | Check mowing attachment cutter blades, bolts, nuts, housing and guards for wear or damage, replace if required |
| Check engine rotating screen/finger guard, clean if required * | Check for loose fasteners, tighten if required |
| Check operation of safety switches and replace if required | |

*Service more often under dusty conditions, or where air borne debris is present

DATE / / HOURS.....CUSTOMER/DEALER.....

24 MONTHS OR 200 HOURS which ever occurs first

- | | |
|--|--|
| Replace engine oil filter | Check mowing attachment cutter blades, bolts, nuts, housing and guards for wear or damage, replace if required |
| Change engine oil | Check belts for wear or damage, replace if required |
| Check engine spark plug, clean, adjust, or replace if required | Check drive lever for smooth action, adjust if required |
| If fitted clean engine exhaust spark arrester | Check for loose fasteners, tighten if required |
| Check engine air cleaner foam pre-cleaner, service if required * | |
| Check engine air cleaner cartridge, service if required | |
| Clean engine cooling system* | |
| Check operation of safety switches, service if required | |
| Check tyre pressures, adjust if required | |

*Service more often under dusty conditions, or where air borne debris is present

DATE / / HOURS.....DEALER.....

27 MONTHS OR 225 HOURS which ever occurs first

Change engine oil if operating under heavy load or high ambient temperature	Check tyre pressures, adjust if required
Check engine air cleaner foam pre-cleaner, service if required *	Check mowing attachment cutter blades, bolts, nuts, housing and guards for wear or damage, replace if required
Check engine rotating screen/finger guard, clean if required *	Check for loose fasteners, tighten if required
Check operation of safety switches and replace if required	

*Service more often under dusty conditions, or where air borne debris is present

DATE / / HOURS.....CUSTOMER/DEALER.....

30 MONTHS OR 250 HOURS which ever occurs first

Change engine oil	Check mowing attachment cutter blades, bolts, nuts, housing and guards for wear or damage, replace if required
If fitted clean engine exhaust spark arrestor	Check belts for wear or damage, replace if required
Check engine air cleaner foam pre-cleaner , service if required *	Check drive lever for smooth action, adjust if required
Check engine rotating screen/finger guard , clean if required *	Check for loose fasteners, tighten if required
Check operation of safety switches, service if required	
Check tyre pressures, adjust if required	

*Service more often under dusty conditions, or where air borne debris is present

DATE / / HOURS.....DEALER.....

33 MONTHS OR 275 HOURS which ever occurs first

Change engine oil if operating under heavy load or high ambient temperature	Check tyre pressures, adjust if required
Check engine air cleaner foam pre-cleaner, service if required *	Check mowing attachment cutter blades, bolts, nuts, housing and guards for wear or damage, replace if required
Check engine rotating screen/finger guard, clean if required *	Check for loose fasteners, tighten if required
Check operation of safety switches and replace if required	

*Service more often under dusty conditions, or where air borne debris is present

DATE / / HOURS.....CUSTOMER/DEALER.....

36 MONTHS OR 300 HOURS which ever occurs first

Replace engine oil filter	Check operation of safety switches, service if required
Change engine oil	Check tyre pressures, adjust if required
Check engine spark plug, clean, adjust, or replace if required	Check mowing attachment cutter blades, bolts, nuts, housing and guards for wear or damage, replace if required
If fitted clean engine exhaust spark arrestor	Check belts for wear or damage, replace if required
Check engine air cleaner foam pre-cleaner , service if required *	Check drive lever for smooth action, adjust if required
Check engine air cleaner cartridge, service if required	Check for loose fasteners, tighten if required
Clean engine cooling system*	

*Service more often under dusty conditions, or where air borne debris is present

DATE / / HOURS.....DEALER.....

39MONTHS OR 325 HOURS which ever occurs first

Change engine oil if operating under heavy load or high ambient temperature	Check tyre pressures, adjust if required
Check engine air cleaner foam pre-cleaner, service if required *	Check mowing attachment cutter blades, bolts, nuts, housing and guards for wear or damage, replace if required
Check engine rotating screen/finger guard, clean if required *	Check for loose fasteners, tighten if required
Check operation of safety switches and replace if required	

*Service more often under dusty conditions, or where air borne debris is present

DATE / / HOURS.....CUSTOMER/DEALER.....

42 MONTHS OR 350 HOURS which ever occurs first

- | | |
|---|--|
| Change engine oil | Check mowing attachment cutter blades, bolts, nuts, housing and guards for wear or damage, replace if required |
| If fitted clean engine exhaust spark arrestor | Check belts for wear or damage, replace if required |
| Check engine air cleaner foam pre-cleaner , service if required * | Check drive lever for smooth action, adjust if required |
| Check engine rotating screen/finger guard , clean if required * | Check for loose fasteners, tighten if required |
| Check operation of safety switches, service if required | |
| Check tyre pressures, adjust if required | |

*Service more often under dusty conditions, or where air borne debris is present

DATE / / HOURS.....DEALER.....

45 MONTHS OR 375 HOURS which ever occurs first

- | | |
|---|--|
| Change engine oil if operating under heavy load or high ambient temperature | Check tyre pressures, adjust if required |
| Check engine air cleaner foam pre-cleaner, service if required * | Check mowing attachment cutter blades, bolts, nuts, housing and guards for wear or damage, replace if required |
| Check engine rotating screen/finger guard, clean if required * | Check for loose fasteners, tighten if required |
| Check operation of safety switches and replace if required | |

*Service more often under dusty conditions, or where air borne debris is present

DATE / / HOURS.....CUSTOMER/DEALER.....

48 MONTHS OR 400 HOURS which ever occurs first

- | | |
|---|--|
| Replace engine oil filter | Check operation of safety switches, service if required |
| Change engine oil | Check tyre pressures, adjust if required |
| Check engine spark plug, clean, adjust, or replace if required | Check mowing attachment cutter blades, bolts, nuts, housing and guards for wear or damage, replace if required |
| If fitted clean engine exhaust spark arrestor | Check belts for wear or damage, replace if required |
| Check engine air cleaner foam pre-cleaner , service if required * | Check drive lever for smooth action, adjust if required |
| Check engine air cleaner cartridge, service if required | Check for loose fasteners, tighten if required |
| Clean engine cooling system* | |

*Service more often under dusty conditions, or where air borne debris is present

DATE / / HOURS.....DEALER.....

51 MONTHS OR 425 HOURS which ever occurs first

- | | |
|---|--|
| Change engine oil if operating under heavy load or high ambient temperature | Check tyre pressures, adjust if required |
| Check engine air cleaner foam pre-cleaner, service if required * | Check mowing attachment cutter blades, bolts, nuts, housing and guards for wear or damage, replace if required |
| Check engine rotating screen/finger guard, clean if required * | Check for loose fasteners, tighten if required |
| Check operation of safety switches and replace if required | |

*Service more often under dusty conditions, or where air borne debris is present

DATE / / HOURS.....CUSTOMER/DEALER.....

54 MONTHS OR 450 HOURS which ever occurs first

- | | |
|---|--|
| Change engine oil | Check mowing attachment cutter blades, bolts, nuts, housing and guards for wear or damage, replace if required |
| If fitted clean engine exhaust spark arrestor | Check belts for wear or damage, replace if required |
| Check engine air cleaner foam pre-cleaner , service if required * | Check drive lever for smooth action, adjust if required |
| Check engine rotating screen/finger guard , clean if required * | Check for loose fasteners, tighten if required |
| Check operation of safety switches, service if required | |
| Check tyre pressures, adjust if required | |

*Service more often under dusty conditions, or where air borne debris is present

DATE / / HOURS.....DEALER.....

57 MONTHS OR 475 HOURS which ever occurs first

Change engine oil if operating under heavy load or high ambient temperature	Check tyre pressures, adjust if required
Check engine air cleaner foam pre-cleaner, service if required *	Check mowing attachment cutter blades, bolts, nuts, housing and guards for wear or damage, replace if required
Check engine rotating screen/finger guard, clean if required *	Check for loose fasteners, tighten if required
Check operation of safety switches and replace if required	

*Service more often under dusty conditions, or where air borne debris is present

DATE / / HOURS.....CUSTOMER/DEALER.....

60 MONTHS OR 500 HOURS which ever occurs first

Replace engine oil filter	Check operation of safety switches, service if required
Change engine oil	Check tyre pressures, adjust if required
Check engine spark plug, clean, adjust, or replace if required	Check mowing attachment cutter blades, bolts, nuts, housing and guards for wear or damage, replace if required
If fitted clean engine exhaust spark arrestor	Check belts for wear or damage, replace if required
Check engine air cleaner foam pre-cleaner, service if required *	Check drive lever for smooth action, adjust if required
Check engine air cleaner cartridge, service if required	Check for loose fasteners, tighten if required
Clean engine cooling system*	

*Service more often under dusty conditions, or where air borne debris is present

DATE / / HOURS.....DEALER.....

63 MONTHS OR 525 HOURS which ever occurs first

Change engine oil if operating under heavy load or high ambient temperature	Check tyre pressures, adjust if required
Check engine air cleaner foam pre-cleaner, service if required *	Check mowing attachment cutter blades, bolts, nuts, housing and guards for wear or damage, replace if required
Check engine rotating screen/finger guard, clean if required *	Check for loose fasteners, tighten if required
Check operation of safety switches and replace if required	

*Service more often under dusty conditions, or where air borne debris is present

DATE / / HOURS.....CUSTOMER/DEALER.....

66 MONTHS OR 550 HOURS which ever occurs first

Change engine oil	Check mowing attachment cutter blades, bolts, nuts, housing and guards for wear or damage, replace if required
If fitted clean engine exhaust spark arrestor	Check belts for wear or damage, replace if required
Check engine air cleaner foam pre-cleaner, service if required *	Check drive lever for smooth action, adjust if required
Check engine rotating screen/finger guard, clean if required *	Check for loose fasteners, tighten if required
Check operation of safety switches, service if required	
Check tyre pressures, adjust if required	

*Service more often under dusty conditions, or where air borne debris is present

DATE / / HOURS.....DEALER.....

69 MONTHS OR 575 HOURS which ever occurs first

Change engine oil if operating under heavy load or high ambient temperature	Check tyre pressures, adjust if required
Check engine air cleaner foam pre-cleaner, service if required *	Check mowing attachment cutter blades, bolts, nuts, housing and guards for wear or damage, replace if required
Check engine rotating screen/finger guard, clean if required *	Check for loose fasteners, tighten if required
Check operation of safety switches and replace if required	

*Service more often under dusty conditions, or where air borne debris is present

DATE / / HOURS.....CUSTOMER/DEALER.....



COX INDUSTRIES MOWER WARRANTY POLICY

DEFINITIONS:

"Commercial Use" means all uses other than Domestic use, including any use that is income producing, rental, or is in relation to use in schools, by government departments or charity operators.

"COX INDUSTRIES" means Cox Industries (Australia) Pty Ltd ACN 050 991 038.

"Dealer" means an authorised COX INDUSTRIES dealer a list of which can be found on our website: www.coxmowers.com.au or freecall us on 1800 330 444.

"Domestic Use" means use for a personal, residential or household (property) purpose.

"Mower" means any ride-on mower manufactured by COX INDUSTRIES.

"Parts" means all parts that can be found in a Mower.

"Warranty Period" means:

- 1) for Domestic Use, a period of five (5) years (*conditions apply) or standard (2) years; or
- 2) for Commercial Use, a period of one (1) year (*conditions apply) or standard (6) months,

from the original date of purchase.

NEW MOWER:

Our goods come with guarantees that cannot be excluded under the Australian Consumer Law. You are entitled to a replacement or refund for a major failure and compensation for any other reasonably foreseeable loss or damage. You are also entitled to have the goods repaired or replaced if the goods fail to be of acceptable quality and the failure does not amount to a major failure.

Nothing in this Warranty purports to modify or exclude the conditions, warranties and undertakings, and other legal rights, under the Australian Consumer Law. This Warranty gives you additional protection for your Mower, and identifies a preferred approach to resolving warranty claims which will be quickest and simplest for all parties, subject to the exclusions, terms and conditions below.

WARRANTY PERIOD:

COX INDUSTRIES warrants in respect of each new Mower sold that, subject to the exclusions below, for the Warranty Period COX INDUSTRIES or a Dealer will repair or replace free of charge any Parts found to be defective in materials or workmanship under normal use and operating conditions. Other than for major failure, it is at COX INDUSTRIES sole discretion as to whether the Mower or Part is repaired or replaced.

The engine, battery and transaxle are warranted by their manufacturers and are not covered by the Cox Domestic Use five (5) year and Cox Commercial Use one (1) year warranty.

***For our COX Domestic Use five (5) year and Cox Commercial Use one (1) year warranty to remain valid, we require the following:-**

1. The COX online warranty registration form is completed within fourteen days from date of purchase.
2. The mower receives an initial service by an authorised COX dealer at around 5 hours, or 1 month from date of purchase. At every 100 hours or annually, which ever is sooner, the mower is to be serviced by an authorised COX dealer and the service times /dates are recorded by the COX servicing Dealer in the service log included within the COX website. (Periodically additional maintenance is required to be carried out by a COX servicing dealer or the Owner/Operators as per Owner/Operators Manual Maintenance Schedule).
3. For clarity, general wear and tear and user neglect are not covered under our warranty provisions.

MOWER PARTS INSTALLED DURING NEW MOWER WARRANTY PERIOD:

Warranty coverage for Parts installed during the new Mower Warranty Period shall consist of the remainder of the new mower Warranty Period or ninety (90) days, which ever is greater, provided the installation is performed by an authorised Dealer.

TO CLAIM THE WARRANTY:

To make a claim under this Warranty, please bring or send the Mower to an authorised Dealer with a copy of your proof of purchase of the Mower. A claim under this Warranty is not formally made unless and until that proof of purchase is provided. This does not detract from your statutory rights.

WARRANTY REGISTRATION:

The online warranty registration form must be completed within 14 days of purchase. It is the purchasers responsibility to ensure this is carried out.

This Warranty is transferable to a subsequent owner of a Mower, in the event of the sale of that product, provided that COX INDUSTRIES is informed in writing within a reasonable time of the sale of the subsequent owner's name and contact details, such notice to be provided to COX INDUSTRIES. The notice should identify the name of the previous owner of the Mower, place and date of purchase, model, make and serial number of the Mower. The effective transfer of this Warranty does not otherwise alter the terms of this Warranty in any way.

WARRANTY EXCLUSIONS:

This Warranty does not cover:

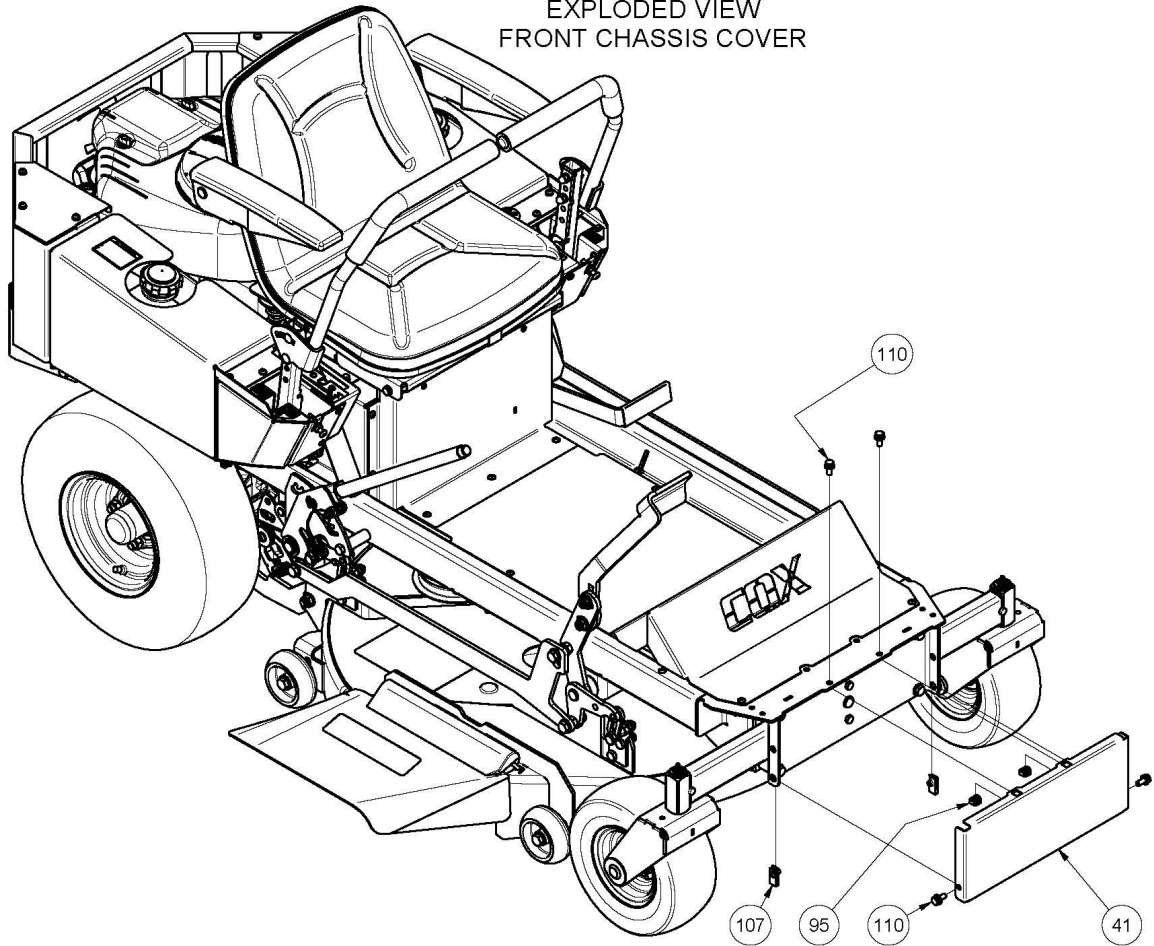
- 1) the costs of rental of another machine or related equipment while repairs are in progress;
- 2) telephone, facsimile or other related communication expenses.
- 3) transportation and insurance charges during transportation of failed Mower or any part thereof;
- 4) the labour, parts, mechanical adjustments or lubricant costs which, in the judgement of COX INDUSTRIES or their Dealer, should have been made as standard maintenance according to the COX INDUSTRIES maintenance schedule;
- 5) the replacement of or service costs relating to replacing and maintaining consumable parts which have ceased working through normal wear and tear such as, but not limited to, normal maintenance parts such as mower discs, blades, bolts and nuts, vee belts, bearings, chains and clutch cones;
- 6) any damage or defect caused by alteration, modification, fitment of a non-genuine part or attachment not approved by COX INDUSTRIES or repair, modification or work carried out on the Mower other than by a Dealer;
- 7) any defect caused by misuse, negligence, accidents or failure to carry out proper maintenance procedures;
- 8) damage caused by continued operation of the machine after it is known to be defective;
- 9) any other expenses incurred by the consumer in making the warranty claim;
- 10) damage caused by incorrect or improper operation (including racing or similar activities), maintenance or not following the instructions or maintenance requirements of the Mower in accordance with the instructions provided with the Mower;
- 11) damage caused by failure to clean or improper cleaning of the product;
- 12) damage caused by adverse external conditions such as thunderstorm activity, acts of God, acts of terrorism, damage caused by vermin, or any other act or circumstance beyond COX INDUSTRIES' control; or
- 13) Damage caused by exposure to excessive heat, moisture or dampness, or exposure to abnormally corrosive conditions.

For the avoidance of any doubt, any and all warranties or conditions which are not guaranteed under the Australian Consumer Law or the Australian Competition and Consumer Regulations 2010 and which are not expressly included in this Warranty as additional warranties or conditions are excluded.

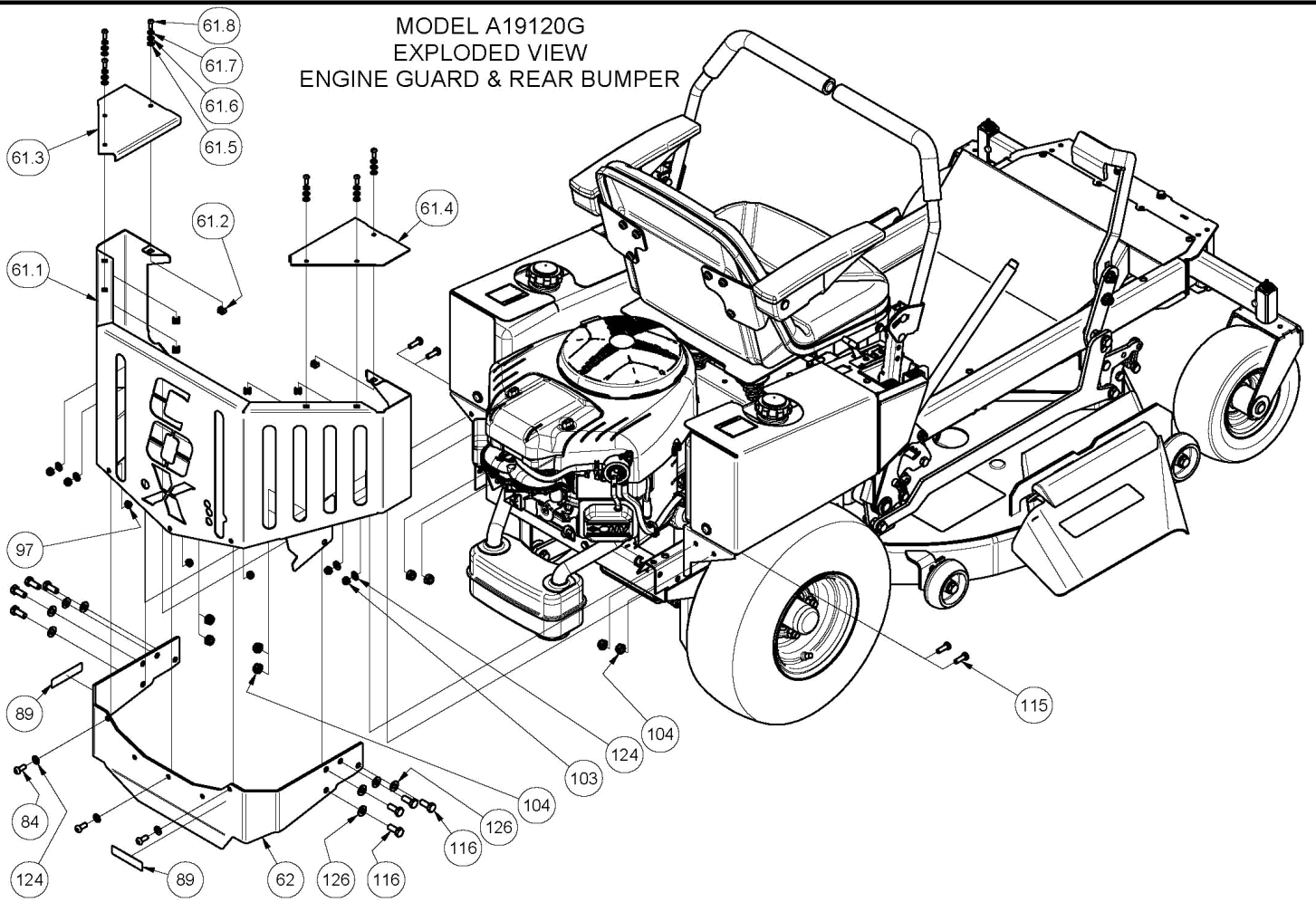
To the extent applicable by law, COX INDUSTRIES will not accept liability for costs of labour, postage, cartage or delivery to replace faulty materials or parts, or for any loss, damage or accident directly, indirectly, or consequently suffered by the purchaser, operator or any other person or property as a result of such faults whether due to defective materials or workmanship or otherwise.

Due to COX INDUSTRIES on-going commitment to product improvement, we reserve the right to change at any time, product specifications, configurations and company policies.

MODEL A19120G
EXPLODED VIEW
FRONT CHASSIS COVER



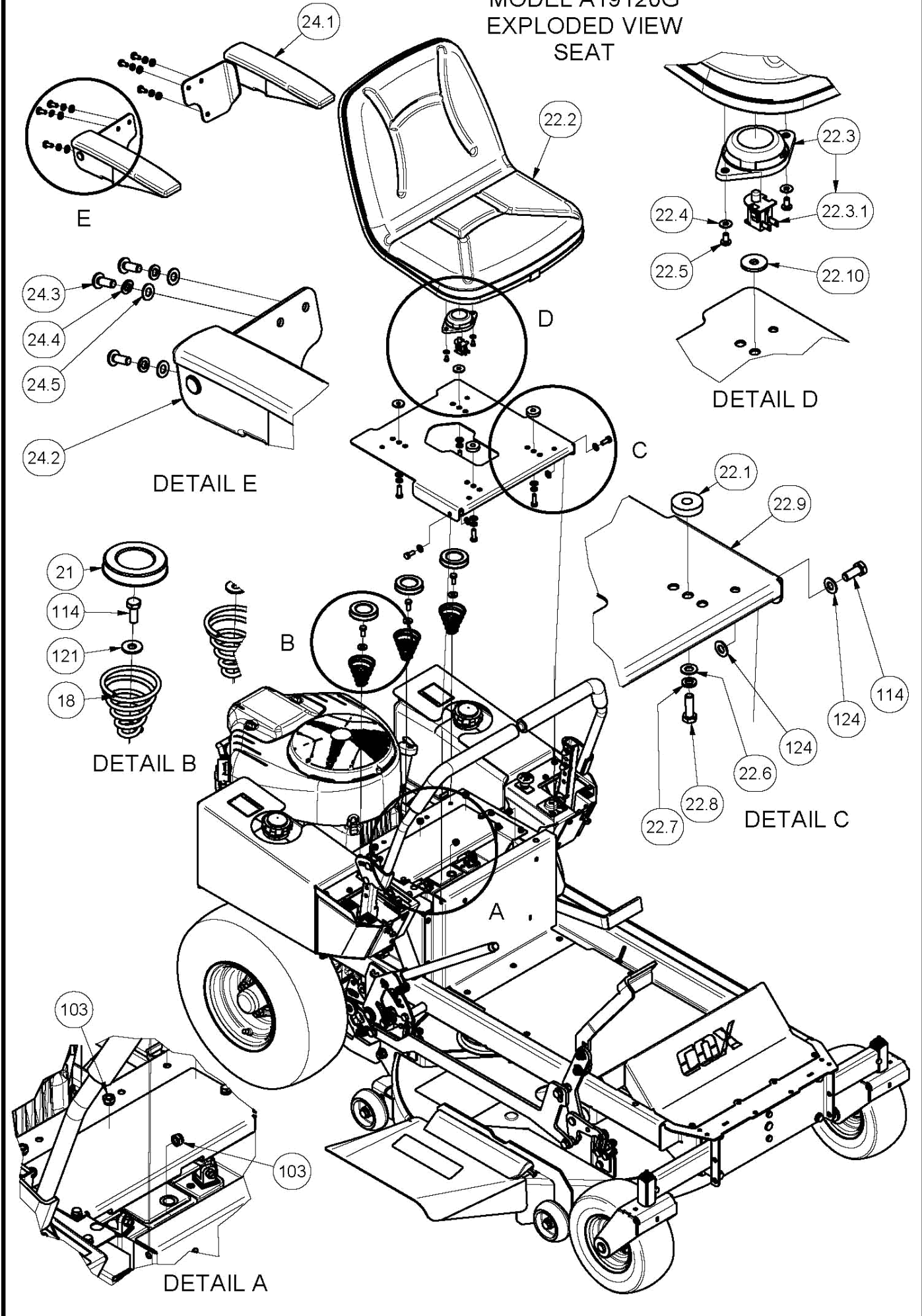
MODEL A19120G
EXPLODED VIEW
ENGINE GUARD & REAR BUMPER



BODY COMPONENTS (FRONT CHASSIS COVER,ENGINE GUARD,REAR BUMPER)

ITEM	PART NUMBER	DESCRIPTION	QTY
41	A191091T	Cover, Chassis, Front	1
61.1	A191501S	Guard, Engine (16HP & 20HP B&S)	1
	A196201S	Guard, Engine (24HP PowerBoss)	1
61.2	NCM6X1.6X9.5	Nut, Cage, M 6, 1.6 Panel, 9.5sq Hole	6
61.3	A191503S	Corner, Top, Left	1
61.4	A191505S	Corner, Top, Right	1
61.5	RETP6	Retainer, 1/4turn, Plastic, 6, Natural	6
61.6	W06MN	Washer, Flat, Bright, M 6x 12.5x1.2	6
61.7	WS040816	Washer, Lock, Spring, 1/4"X3/32"X1/16"	6
61.8	BHSSM6X16	Screw, Button, Hex Soc, M 6x 16, Pc10.9	6
62	A191569T	Bumper, Rear (16HP & 20HP B&S)	1
	A191369S	Bumper, Rear (24HP PowerBoss)	1
84	BHSSM8X20	Screw, Button, Hex Soc, M 8x 20, Pc12.9	3
89	DEC13517E	Decal, Caution, Hot Muffler	2
95	NCM8X1.6	Nut, Cage, M 8, 1.6 Panel, 12.7 Sq Hole	2
97	NHCM8	Nut, Hex, Conelok, M 8, Pc8	3
103	NM8NT	Nut, Hex, Nyloc, Thin, M 8, Pc6	4
104	NM10NT	Nut, Hex, Nyloc, Thin, M10, Pc6	8
107	NU204M8	Nut, U, 20x5, 8	2
110	SEMSM8X20	Screw, Hex, +Washers, M8x20	4
115	SH0825M	Screw, Hex, M 8x 25, Pc8.8	8
116	SH1025M	Screw, Hex, M10 X 25, Pc 8.8	8
124	W08MN	Washer, Flat, Bright, M 8x 17x1, 2	7
126	W10MN	Washer, Flat, Bright, M10x 21x1.6	8

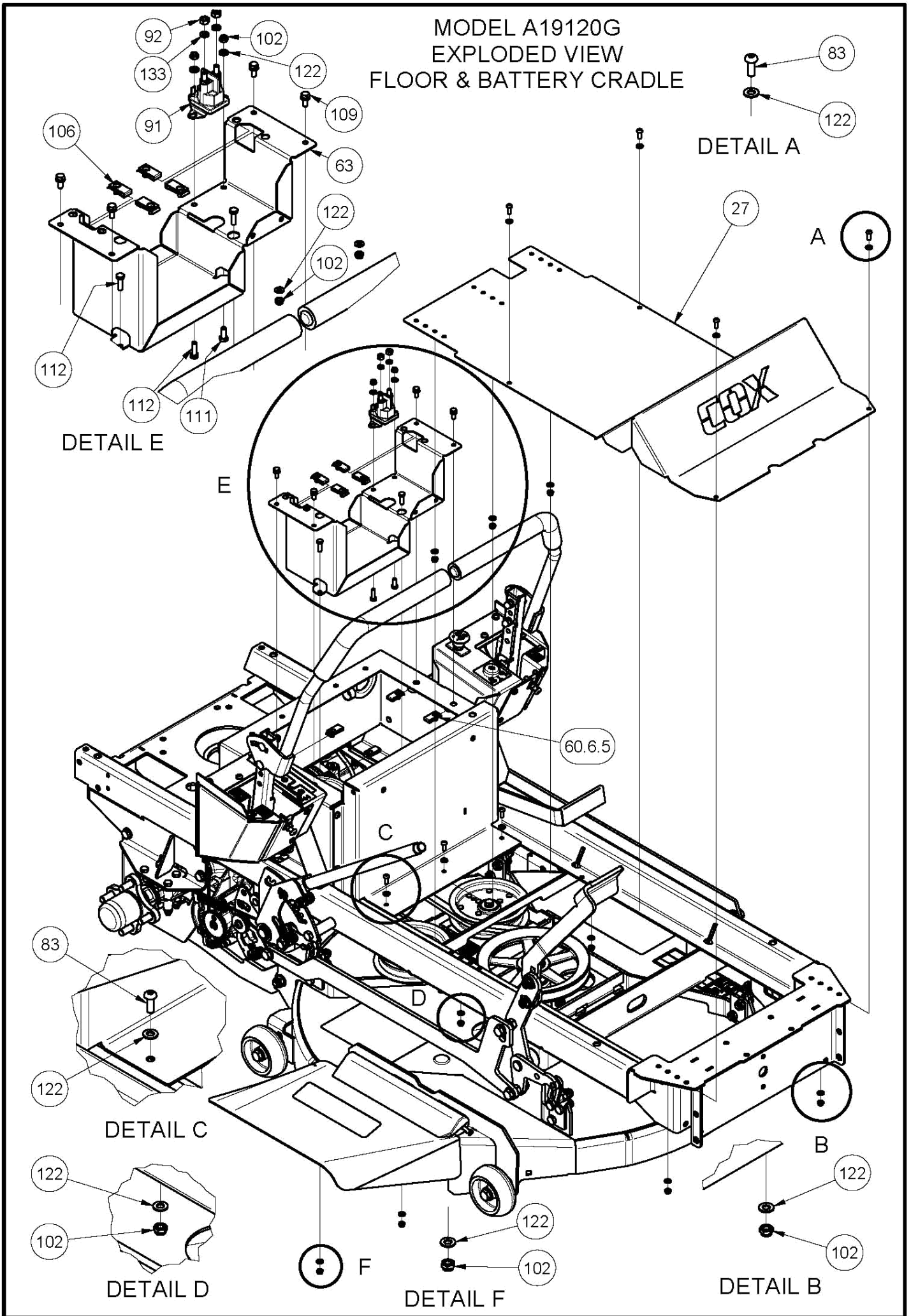
MODEL A19120G
EXPLODED VIEW
SEAT



SEAT COMPONENTS

ITEM	PART NUMBER	DESCRIPTION	QTY
18	A163060	Spring, Compression, Conical, Seat, Heavy	3
21	A168231	Cap, Spring, Seat	3
22.1	W103208	Washer, Flat, Black, 10.5x32x8	2
22.2	A172050	Seat	1
22.3	AM16512F	Switch, Seat, Nc, Flange, Bolt Mtg	1
22.3.1	SP1PNCSTM	Switch, Plunger, 1 Pole, Nc, Snap Mtg	1
22.4	W030820	Washer, Flat, Bright, 3/16" X 1/2"X 20 G	2
22.5	SPSTM5X10	Screw, Pan, Pozi2, Thdfm, M 5x 10	2
22.6	W08MN	Washer, Flat, Bright, M 8x 17x1, 2	4
22.7	WS050216	Washer, Lock, Spring, 5/16"X1/8"X1/16"	4
22.8	SH0825M	Screw, Hex, M 8x 25, Pc8.8	4
22.9	A168243T	Mount, Seat	1
22.10	WSEAT08X27X3	Seat Washer	2
24	A172053	Kit, Armrest, Seat, Yy25, Inc Fasteners	1
24.1	A172054	Armrest, Seat, Yy25, Left	1
24.2	A172054	Armrest, Seat, Yy25, Right	1
24.3	SPM8X20	Screw, Pan, Phil2, M8x 20	6
24.4	WS050216	Washer, Lock, Spring, 5/16"X1/8"X1/16"	6
24.5	W08MN	Washer, Flat, Bright, M 8x 17x1, 2	6
103	NM8NT	Nut, Hex, Nyloc, Thin, M 8, Pc6	5
114	SH0820M	Screw, Hex, M 8x 20, Pc8.8	2
121	W05M202	Washer, Flat, Black, M 8x 21.0x 2.0	3
124	W08MN	Washer, Flat, Bright, M 8x 17x1, 2	4

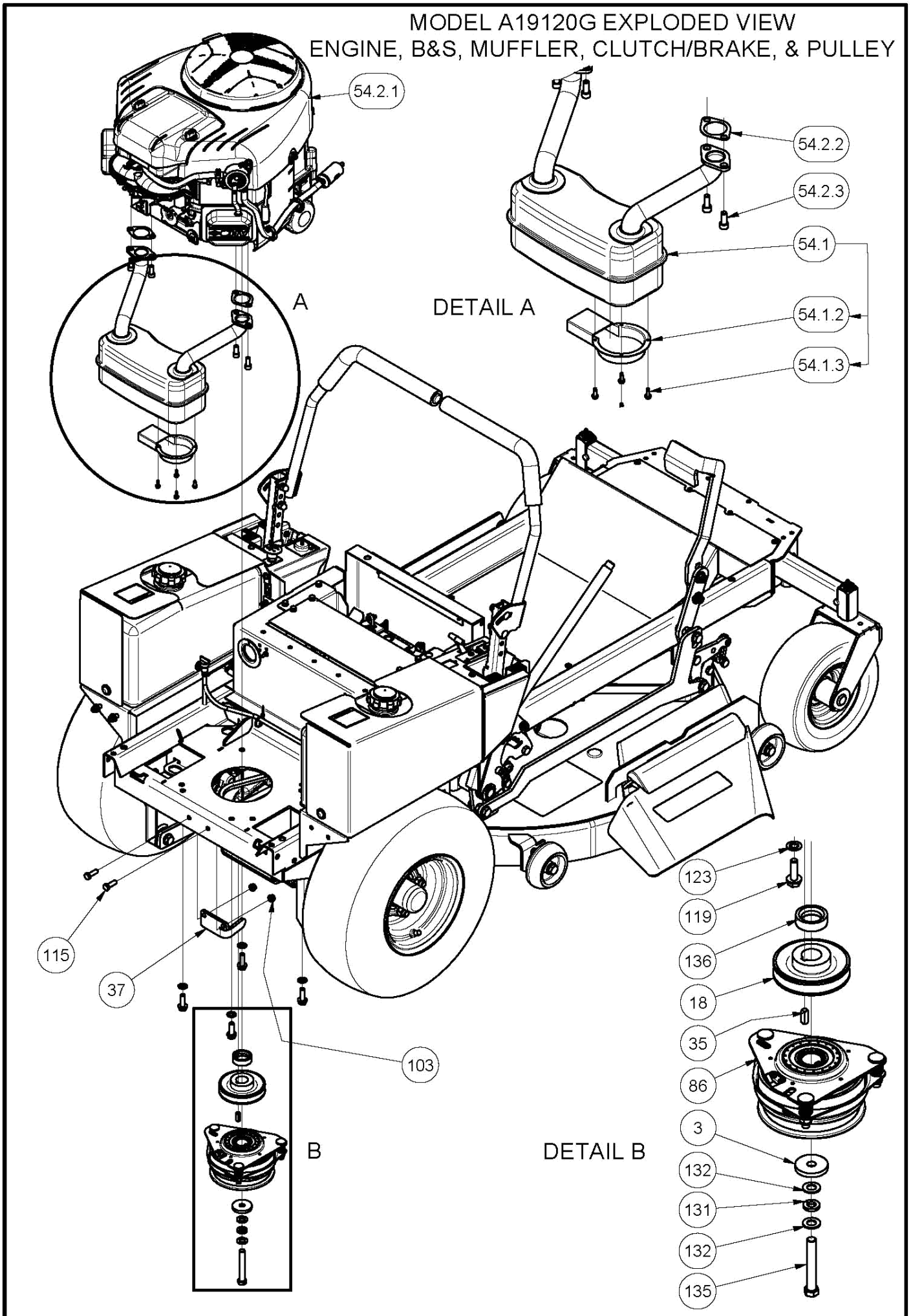
MODEL A19120G EXPLODED VIEW FLOOR & BATTERY CRADLE



FLOOR AND BATTERY CRADLE COMPONENTS

ITEM	PART NUMBER	DESCRIPTION	QTY
27	A191031N	Floor	1
60.6.5	NU133M6	Nut, U, 20x4, M6	4
63	A198001S	Cradle, Battery, Mid B&S	1
	A191087S	Cover, POD, Battery PBS 24HP	1
83	BHSSM6X16	Screw, Button, Hex Soc, M 6x 16, Pc10.9	3
91	KIT249	Kit, Solenoid, Sealed	1
92	N04C	Nut, Hex, Unc, 1/4", Gr5	2
102	NM6NT	Nut, Hex, Nyloc, Thin, M 6, Pc6	11
106	NU133M6	Nut, U, 20x4, M6	4
109	SEMSM6X18	Screw, Hex, +Washers, M6x18	4
111	SH0616M	Screw, Hex, M 6x 16, Pc4.6	1
112	SH0620M	Screw, Hex, M 6x20, Pc4.6	3
122	W06MN	Washer, Flat, Bright, M 6x 12.5x1.2	15
133	WS040816	Washer, Lock, Spring, 1/4"X3/32"X1/16"	2

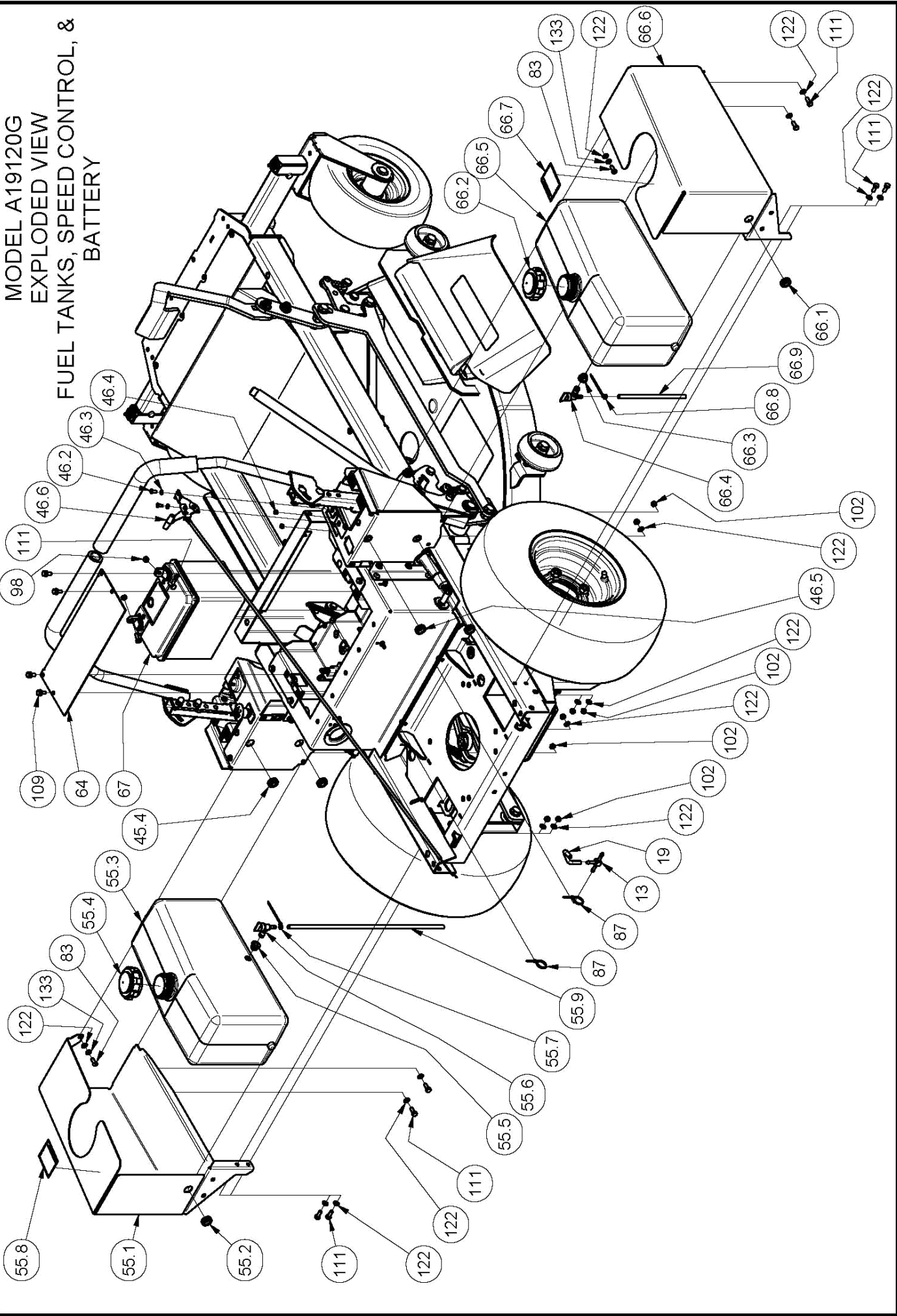
MODEL A19120G EXPLODED VIEW
ENGINE, B&S, MUFFLER, CLUTCH/BRAKE, & PULLEY



ENGINE AUXILLARY COMPONENTS

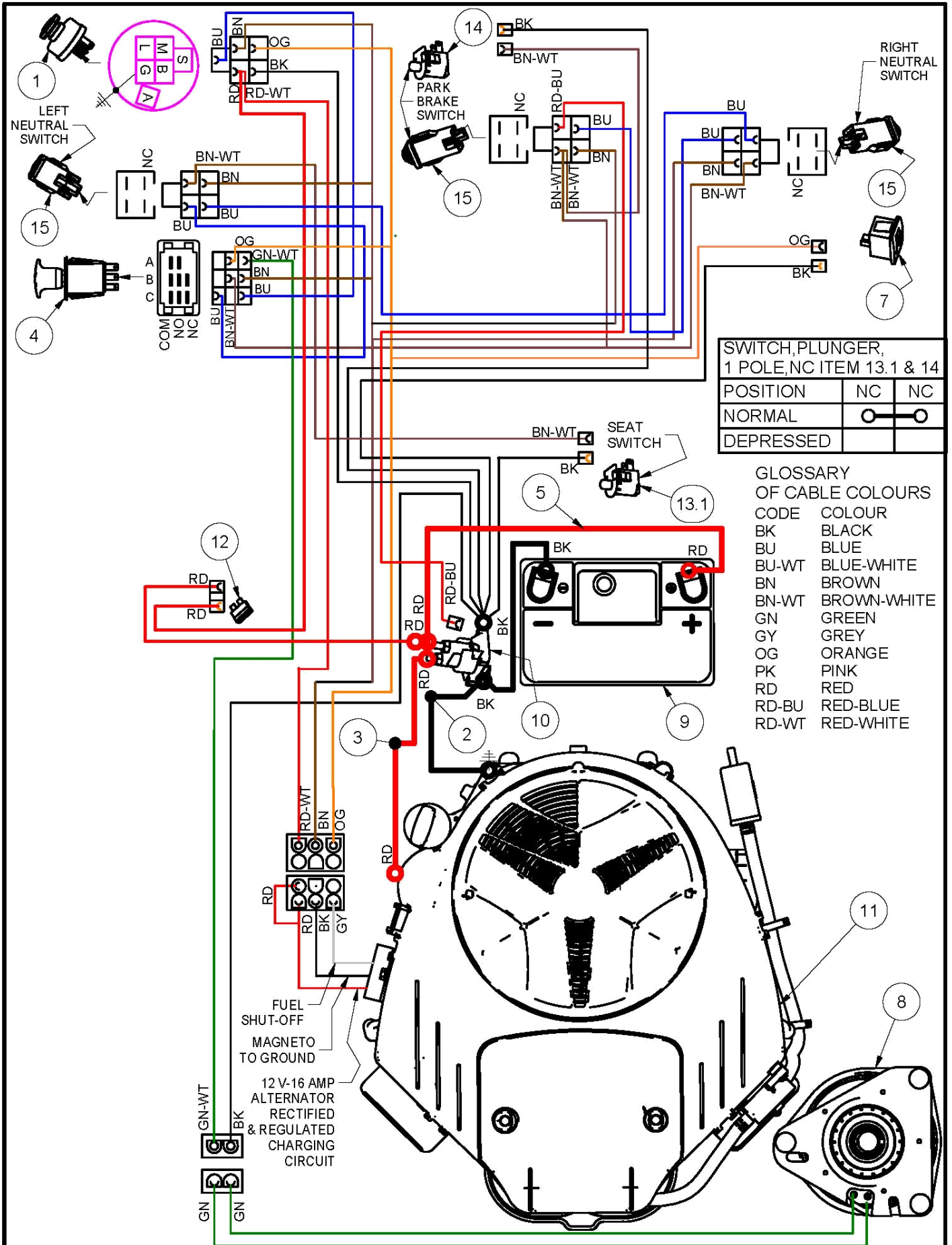
ITEM	PART NUMBER	DESCRIPTION	QTY
3	W072606	Washer, Flat, Black, 7/16" X 1+5/8" X 6mm	1
18	A191149	Pulley, Engine, 25.4k6.35, A 91, L=47.5, Cb35x10	1
	KIT341	Kit, Pulley, Engine Replaces A191049 Early models	
35	88026	Key, 6.35x 6.35x 20	1
37	A191053Z	Bracket, Restraint, Clutch/Brake	1
54.1	A172131	Muffler, Exhaust, B&S, 16+20+22.0hp	1
54.1	A203098	Muffler, Exhaust, 24.0hp PowerBoss	1
	A203097	Spacer, Flange, Muffler PBS 24HP	
54.1.2		Deflector, Muffler, Exhaust, B&S, 22.0+24.0hp	1
54.1.3		Screw, Hex Wash, #8-32x1/2", Dog Point	4
54.2.1		Engine, 16.0hp, 2cyl, Elec, B&S, Blk, 40r6770018b1	1
54.2.1		Engine, 20.0hp, 2cyl, Elec, B&S, Blk, 40n8770042b1	1
54.2.1		Engine, 22.0hp, 2cyl, Elec, B&S, Blk, 44N677	1
54.2.1	E24.02VEP	Engine, 24.0hp, 2cyl, Elec, PowerBoss	1
54.2.2		Gasket, Exhaust, B&S, 690970	2
54.2.2	P180650074	Gasket, Exhaust, 24HP PowerBoss	2
54.2.3		Screw, Exhaust, B&S, 690341	4
86	A172516	Clutch/Brake, Elecmag B&S	1
86	A179016	Clutch/Brake, Elecmag PBS 24HP	1
103	NM8NT	Nut, Hex, Nyloc, Thin, M 8, Pc6	2
115	SH0825M	Screw, Hex, M 8x 25, Pc8.8	2
119	STF0618	Screw, Hex Wash, Taptite Ii, 3/8"X1-1/8"	4
123	W06S	Washer, Lock, Int Tooth, 3/8", Zn Pl	4
131	WS071008	Washer, Lock, Spring, 7/16"X5/32"X1/8"	1
132	W071416	Washer, Flat, Bright, 7/16"X7/8"X16g	2
135	B0748F	Bolt, 7/16" X 3", Unf	1
136	A179316Z	Spacer, Crank Shaft, B&S, L=12.5	1
136	A179315Z	Spacer, Crank Shaft, PBS 24HP, L=12.5	1

MODEL A19120G
EXPLODED VIEW
FUEL TANKS, SPEED CONTROL, &
BATTERY



FUEL TANKS, SPEED CONTROL & BATTERY

ITEM	PART NUMBER	DESCRIPTION	QTY
13	A120631	Fitting, Tee, Barb, 3/16", Brass	1
19	A164009	Line, Fuel, 5, L= 75	1
45.4	80037	Grommet	2
46.2	BHSSM5X12	Screw, Button, Hex Soc, M 5 X 12, Pc10.9	2
46.3	W05MN	Washer, Flat, Bright, M 5x 10x1.0	2
46.4	NM5NT	Nut, Hex, Nyloc, Thin, M5, Pc6	2
46.5	80037	Grommet	2
46.6	A191108	Control, Inc Throttle Cable, L= 800	1
55.1	A191261S	Mount, Tank, Fuel, Left	1
55.2	80037	Grommet	1
55.3	A120661	Tank, Fuel, 11 L, Left	1
55.4	CF01	Cap, Fuel	1
55.5	AM294	Grommet, Fuel Tap	1
55.6	AM293	Petrol Tap	1
55.7	CABLETIES	Cable Ties 100mm X 2.5 Black	1
55.8	DEC08517E	Decal, Warning, Fuel	1
55.9	A120869	Line, Fuel, 5, L= 420	1
64	A191087S	Cover, POD. Battery	1
	A198003S	Clamp, Battery, Mid	1
66.1	80037	Grommet	1
66.2	CF01	Cap, Fuel	1
66.3	AM294	Grommet, Fuel Tap	1
66.4	AM293	Petrol Tap	1
66.5	A120660	Tank, Fuel, 11 L, Right	1
66.6	A191059S20C	Mount, Tank, Fuel, Right	1
66.7	DEC08517E	Decal, Warning, Fuel	1
66.8	CABLETIES	Cable Ties 100mm X 2.5 Black	1
66.9	14107	Line, Fuel, 5, L= 180 B&S	1
66.9	A191315	Line, Fuel, 5, L= 750 PBS 24HP	1
67	Purchase Locally	Battery, Automotive, 12v, CMFU1, 9pl, 240CCA	1
	A191061S	Mount, Battery, Left	1
	A191063S	Bracket. Battery, Rear	1
	A191065S	Bracket. Battery, Front	1
	SH0616M	Screw	4
	W06MN	Washer	8
	NM6NT	Nut	4
	NU133M6	Nut, U 20x4	4
83	BHSSM6X16	Screw, Button, Hex Soc, M 6x 16, Pc10.9	2
87	CABLETIES	Cable Ties 100mm X 2.5 Black	2
98	NHM6	Nut, Hex, M 6, Pc5	2
102	NM6NT	Nut, Hex, Nyloc, Thin, M 6, Pc6	8
109	SEMSM6X18	Screw, Hex, +Washers, M6x18	4
111	SH0616M	Screw, Hex, M 6x 16, Pc4.6	10
122	W06MN	Washer, Flat, Bright, M 6x 12.5x1.2	15
133	WS040816	Washer, Lock, Spring, 1/4"X3/32"X1/16"	2



SWITCH, PLUNGER, 1 POLE, NC ITEM 13.1 & 14		
POSITION	NC	NC
NORMAL		
DEPRESSED		

GLOSSARY OF CABLE COLOURS

CODE	COLOUR
BK	BLACK
BU	BLUE
BU-WT	BLUE-WHITE
BN	BROWN
BN-WT	BROWN-WHITE
GN	GREEN
GY	GREY
OG	ORANGE
PK	PINK
RD	RED
RD-BU	RED-BLUE
RD-WT	RED-WHITE

SWITCH, KEY ITEM 1					
POSITION	S	L	M	B	G
OFF					
ON					
START					

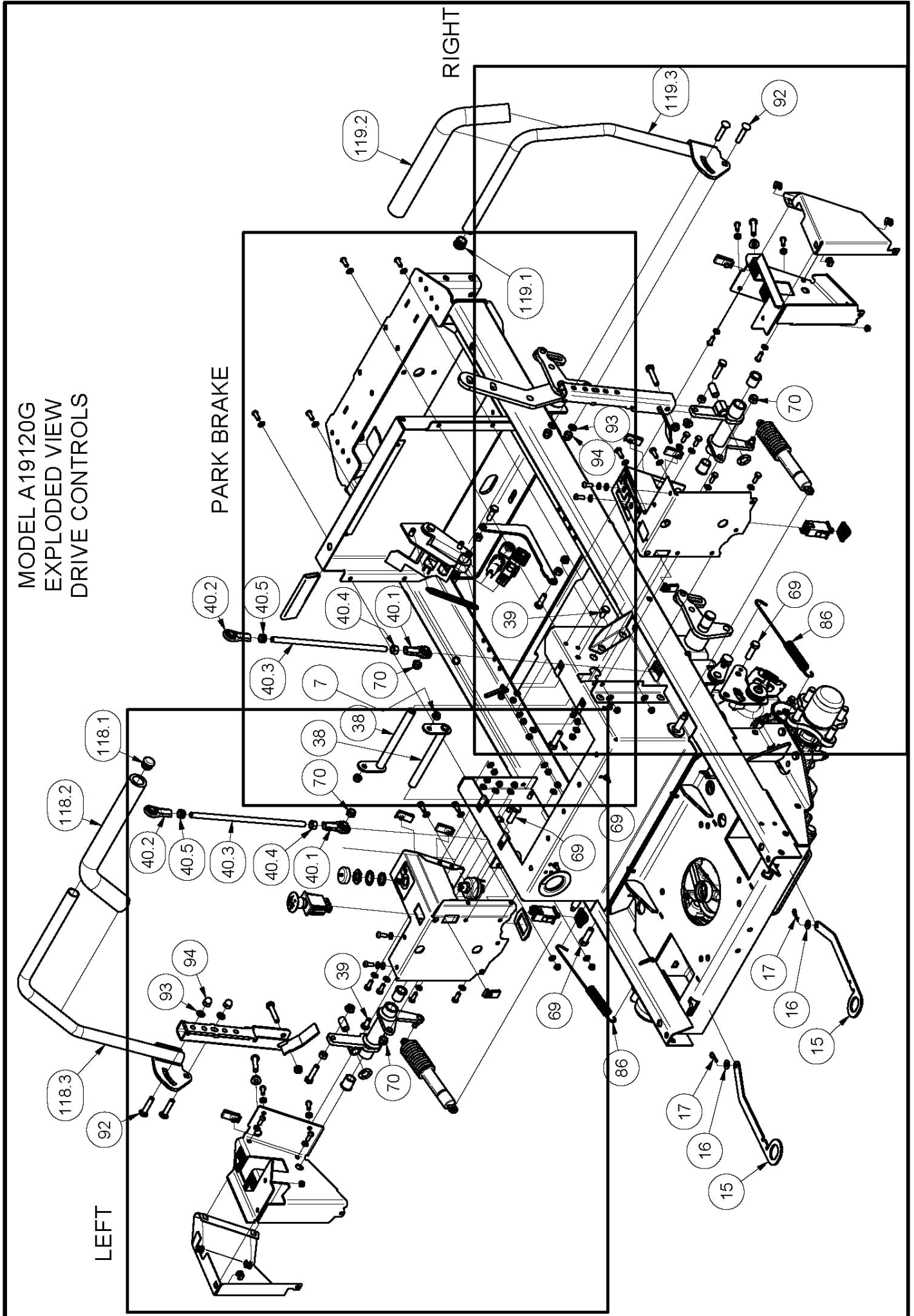
SWITCH, PTO ITEM 4											
POSITION	COM A	NO	NC	COM B	NO	NC	COM C	NO	NC	COM D	NO
DEPRESSED											
RAISED											

SWITCH, PLUNGER, 2 POLE, NO+NC ITEM 15			
POSITION	NO	NO	NC
NORMAL			
DEPRESSED			

ELECTRICAL COMPONENTS

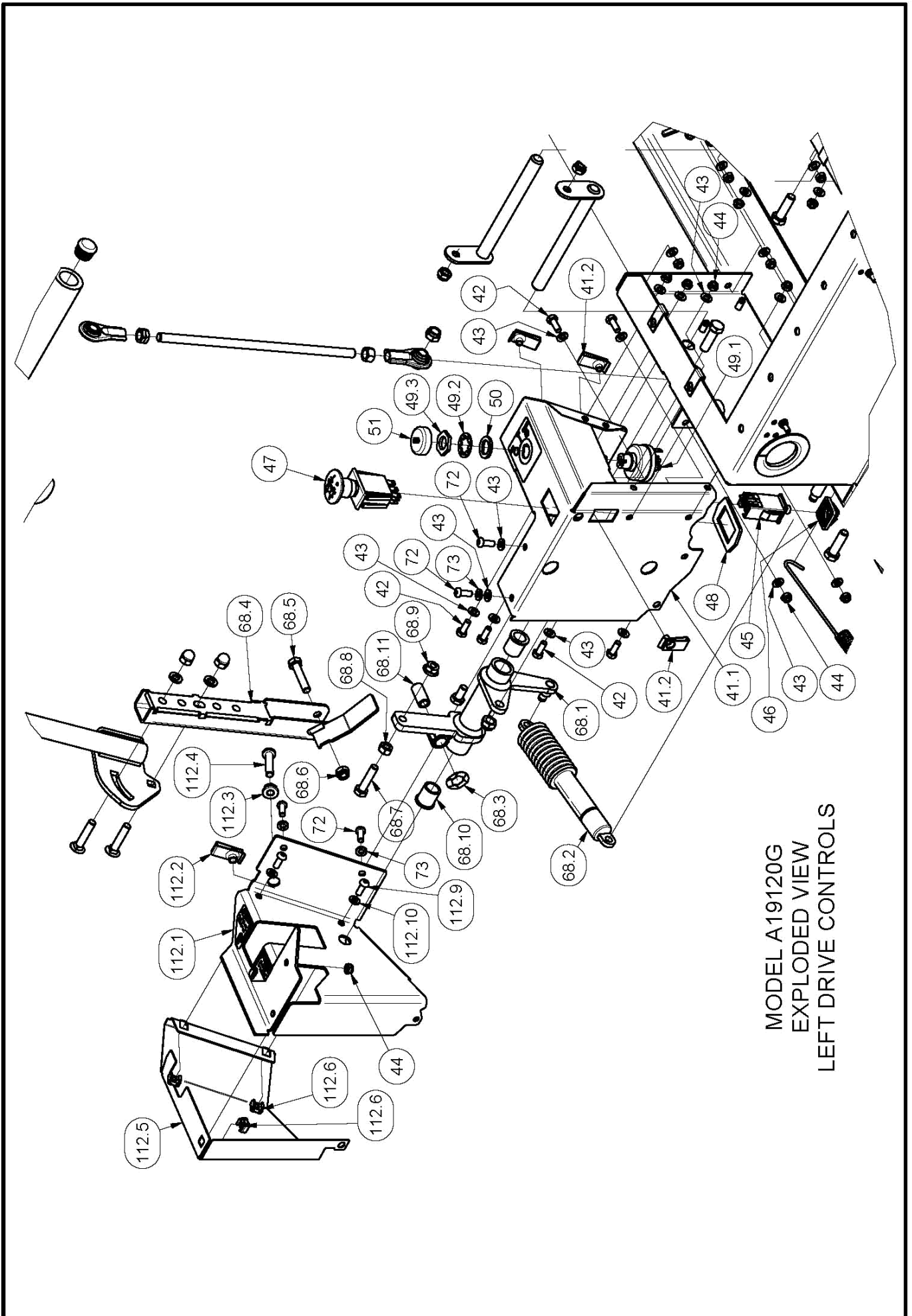
ITEM	PART NUMBER	DESCRIPTION	QTY
1	13125	Switch, Key, 3 Posn, Magneto, 6 Term	1
	A120870	Bezel, Switch	1
	A120872Z	Washer, D	1
2	15235	Lead, Battery, Black	1
3	89092	Lead, Battery, Red, L=295	1
4	A102136	Switch, PTO, Push-Pull	1
	A102190	Ring, Retainer, Switch, PTO	1
5	AM265	Lead, Battery, Red, L=490	1
6	A191105	Harness, Wiring, Main, Lawnboss ZTR, B&S	1
7	A163081	Meter, Hour, Magneto-Sensing B&S	1
7	A20640	Meter, Hour, Sensing, Vibration PBS 24HP	1
	A206042T	Cover, Meter, Hour, Sensing, Vibration PBS 24HP	1
	SPM3X10	Screw	2
	NM3NT	Nut	2
8	A179016	Clutch/Brake, Electromagnet	1
	A168370	Harness, Wiring, Adaptor, Elec Clutch	1
9	Purchase Locally	Battery, Automotive, 12v, CMFU1, 9PL, 240CCA	1
10	KIT249	Kit, Solenoid, Sealed	1
11		Engine	1
12	Purchase Locally	Fuse, Blade, 20 Amp, Yellow	1
13	AM16512F	Switch, Seat	1
13.1	SP1PNCMSM	Switch, Plunger, 1 Pole, Nc, Snap Mtg	1
14	KIT268	Kit, Switch, Inc Cover, 1 Pole, Nc, Snap Mtg	1
	CSP1PSM	Cover, Switch.Plunger, 1 Pole, Snap Mtg	1
15	SKIT133	Kit, Switch, Inc Cover, 2 Pole, No+Nc, Snap Mtg	3
	CSP2PSM	Cover, Switch.Plunger, 2 Pole, Snap Mtg	1
	CP07	Clip, "P", 7/8"X 1/2", Black	4
	SH0516M	Screw, Hex, M5x 16, Pc4.6	4
	W05MN	Washer, Flat, Bright, M 5x 10.0x 1.0	8
	NM5NT	Nut, Hex, Nyloc, Thin, M 5, Pc6	4
	A198009	Trim, Pinchweld, Pvc, 8x14x130	1

MODEL A19120G
EXPLODED VIEW
DRIVE CONTROLS



DRIVE CONTROLS

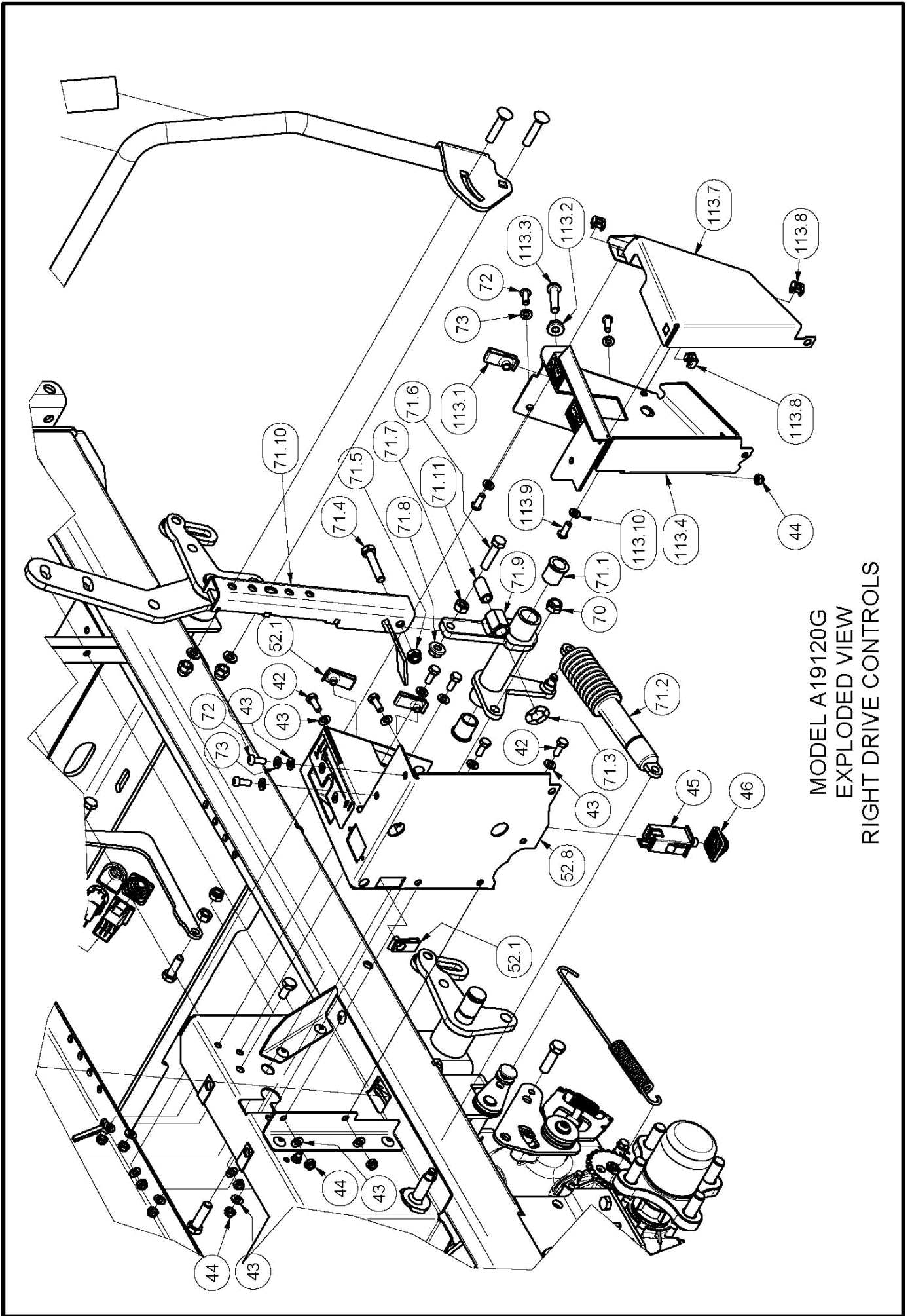
ITEM	PART NUMBER	DESCRIPTION	QTY
7	NM8NT	Nut, Hex, Nyloc, Thin, M 8, Pc6	2
15	A191083Z	Selector, Bypass	2
16	W041018	Washer, Flat, Bright, 1/4"X5/8"X18g	2
17	RP04	Pin, 'R'	2
38	92102	Pin	2
39	SH0816M	Screw, Hex, M 8x 16, Pc8.8	2
40.1	AM337	End, Rod, Stamp, Unf, 3/8"Int, Shoulder Ball	2
40.2	RE38LHINT	End, Rod, Stamp, Unf, 3/8", Int, LH	2
40.3	A154162Z	Rod, Control, Drive	2
40.4	N06F	Nut, Hex, Unf, 3/8", Gr5	2
40.5	N06FLH	Nut, Hex, Unf, 3/8", LH	2
69	B0620C	Bolt, Hex, UNC, 3/8"X1-1/4", GR5	4
70	N06CN	Nut, Hex, Nyloc, Mower Type, Unc, 3/8"	4
86	A154073	Spring, Extension, Brake, Park	2
92	BCHSNM8X40	Bolt, Cup, Sq Neck, M8 X 40 PC4.6	4
93	WS050216	Washer, Lock, Spring, 5/16"X1/8"X1/16"	4
94	ND08M	Nut, Hex, Dome, M 8	4
118.1	A191075	Plug, Handle, 22.2od	1
118.2	A191076	Grip, Hand, 22.2idxl=14"	1
118.3	A191071S	Lever, Control, Drive, Left	1
119.1	A191075	Plug, Handle, 22.2od	1
119.2	A191076	Grip, Hand, 22.2idxl=14"	1
119.3	A191073S	Lever, Control, Drive, Right	1



MODEL A19120G
EXPLODED VIEW
LEFT DRIVE CONTROLS

LEFT DRIVE CONTROL COMPONENTS

ITEM	PART NUMBER	DESCRIPTION	QTY
41.1	A191011S	Console, Left	1
41.2	NU133M6	Nut, U, 20x4, M6	3
42	SH0616M	Screw, Hex, M 6x 16, Pc4.6	6
43	W06MN	Washer, Flat, Bright, M 6x 12.5x1.2	12
44	NM6NT	Nut, Hex, Nyloc, Thin, M 6, Pc6	6
45	SP2PNONCSM	Switch, Plunger, 2 Pole, No+Nc, Snap Mtg	2
46	CSP2PSM	Cover, Switch, Plunger, 2 Pole, Snap Mtg	2
47	A102136	Switch, Pto, Push-Pull	1
48	A102190	Ring, Retainer, Switch, Pto, 2.2max	1
49	13125	Switch, Key, 3 Posn, Magneto, 6 Term, 5/8"-32	1
49.1		Body, Switch, Key, Magneto, 3 Posn, 6 Term, 5/8"Unf	1
49.2	W10S	Washer, Lock, Int Tooth, 5/8"	1
49.3		Nut, Hex, Pressed, Unf, 5/8"	1
50	A120872Z	Washer, D, 16.1x24.0x2.5	1
51	A120870	Bezel, Switch, Key, 5/8"	1
68.1	A191015Z	Arm, Control, Left	1
68.2	A120127	Damper	1
68.3	WW0816	Washer, Wave, 1/2"X1"	1
68.4	A191019Z	Control, Neutral, Left	1
68.5	B0840M	Bolt, Hex, M8x40, Pc8	1
68.6	NM8NT	Nut, Hex, Nyloc, Thin, M 8, Pc6	1
68.7	B0835M	Bolt, Hex, M 8x 35, Pc8.8	1
68.8	NHM8	Nut, Hex, M8	1
68.9	NFM8	Nut, Hex, Flange, Serated, M 8, Pc8	1
68.10	A120685	Bush, Flanged, Nylon, 14.3idx19.1od, L=22	2
68.11	A120663Z	Bush, Pivot, Lever, Control	1
72	BHSSM6X16	Screw, Button, Hex Soc, M 6x 16, Pc10.9	4
73	WS040816	Washer, Lock, Spring, 1/4"X3/32"X1/16"	3
112.1	A191023Z20C	Gate, Neutral, Left	1
112.2	NU204M8	Nut, U, 20x5, 8	1
112.3	NFM8	Nut, Hex, Flange, Serated, M 8, Pc8	1
112.4	BHSSM8X35	Screw, Button, Hex Soc, M 8x 35, Pc10.9	1
112.5	A191521S	Cover, Gate, Left	1
112.6	NCM6X1.6X9.5	Nut, Cage, M 6, 1.6 Panel, 9.5sq Hole	3
112.9	BHSSM6X16	Screw, Button, Hex Soc, M 6x 16, Pc10.9	2
112.10	WS040816	Washer, Lock, Spring, 1/4"X3/32"X1/16"	2

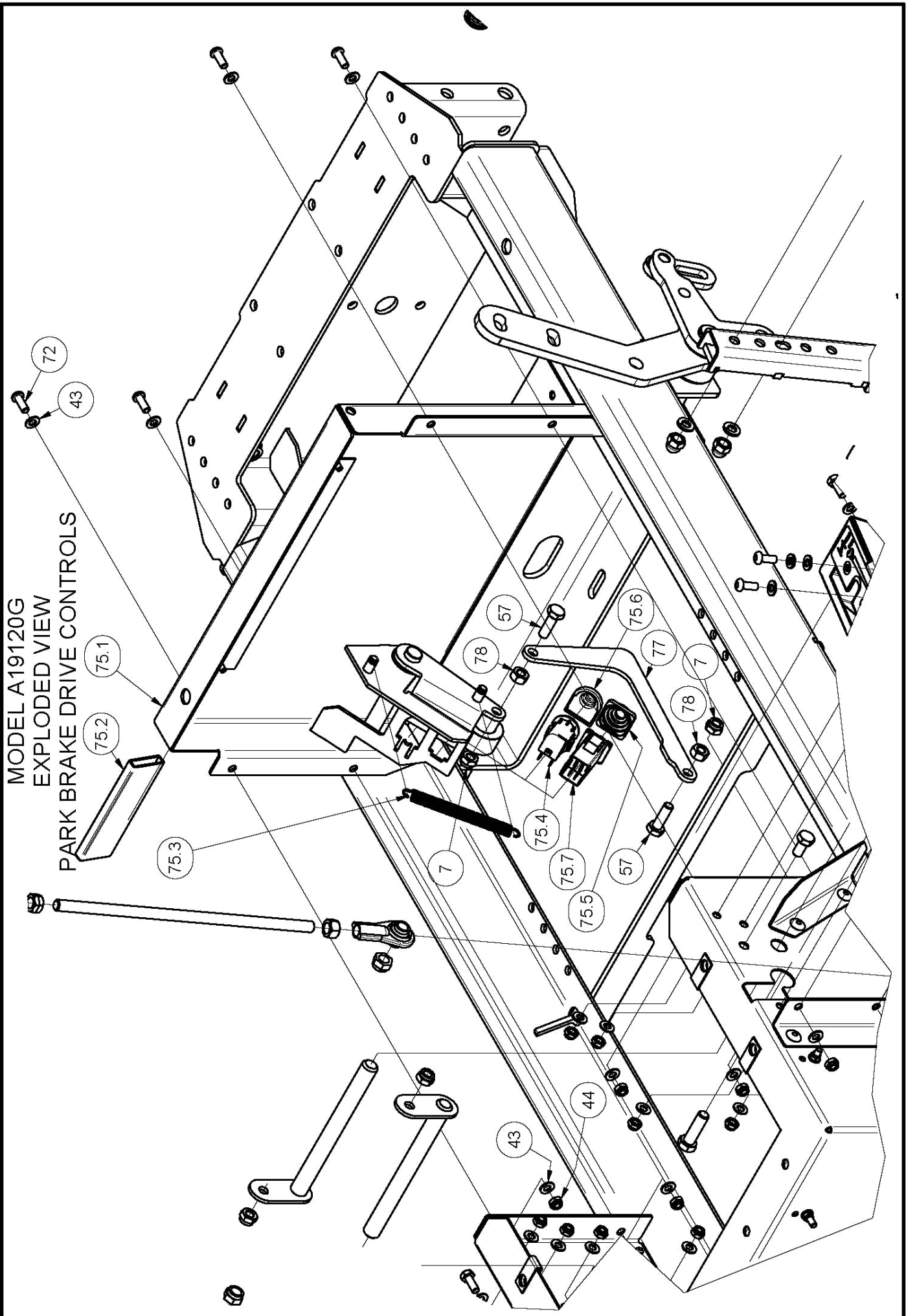


MODEL A19120G
EXPLODED VIEW
RIGHT DRIVE CONTROLS

RIGHT DRIVE CONTROL COMPONENTS

ITEM	PART NUMBER	DESCRIPTION	QTY
42	SH0616M	Screw, Hex, M 6x 16, Pc4.6	6
43	W06MN	Washer, Flat, Bright, M 6x 12.5x1.2	12
44	NM6NT	Nut, Hex, Nyloc, Thin, M 6, Pc6	6
45	SP2PNONCSM	Switch, Plunger, 2 Pole, No+Nc, Snap Mtg	2
46	CSP2PSM	Cover, Switch, Plunger, 2 Pole, Snap Mtg	2
52.1	NU133M6	Nut, U, 20x4, M6	3
52.8	A191013S19C	Console, Right	1
70	N06CN	Nut, Hex, Nyloc, Mower Type, Unc, 3/8"	
71.1	A120685	Bush, Flanged, Nylon, 14.3idx19.1od, L=22	2
71.2	A120127	Damper	1
71.3	WW0816	Washer, Wave, 1/2"X1"	1
71.4	B0840M	Bolt, Hex, M8x40, Pc8	1
71.5	NM8NT	Nut, Hex, Nyloc, Thin, M 8, Pc6	1
71.6	B0835M	Bolt, Hex, M 8x 35, Pc8.8	1
71.7	NHM8	Nut, Hex, M8	1
71.8	NFM8	Nut, Hex, Flange, Serated, M 8, Pc8	1
71.9	A191017Z	Arm, Control, Right	1
71.10	A191021Z	Control, Neutral, Right	1
71.11	A120663Z	Bush, Pivot, Lever, Control	1
72	BHSSM6X16	Screw, Button, Hex Soc, M 6x 16, Pc10.9	4
73	WS040816	Washer, Lock, Spring, 1/4"X3/32"X1/16"	3
113.1	NU204M8	Nut, U, 20x5, 8	1
113.2	NFM8	Nut, Hex, Flange, Serated, M 8, Pc8	1
113.3	BHSSM8X35	Screw, Button, Hex Soc, M 8x 35, Pc10.9	1
113.4	A191025Z20C	Gate, Neutral, Right	1
113.7	A191523S	Cover, Gate, Right	1
113.8	NCM6X1.6X9.5	Nut, Cage, M 6, 1.6 Panel, 9.5sq Hole	3
113.9	BHSSM6X16	Screw, Button, Hex Soc, M 6x 16, Pc10.9	2
113.10	WS040816	Washer, Lock, Spring, 1/4"X3/32"X1/16"	2

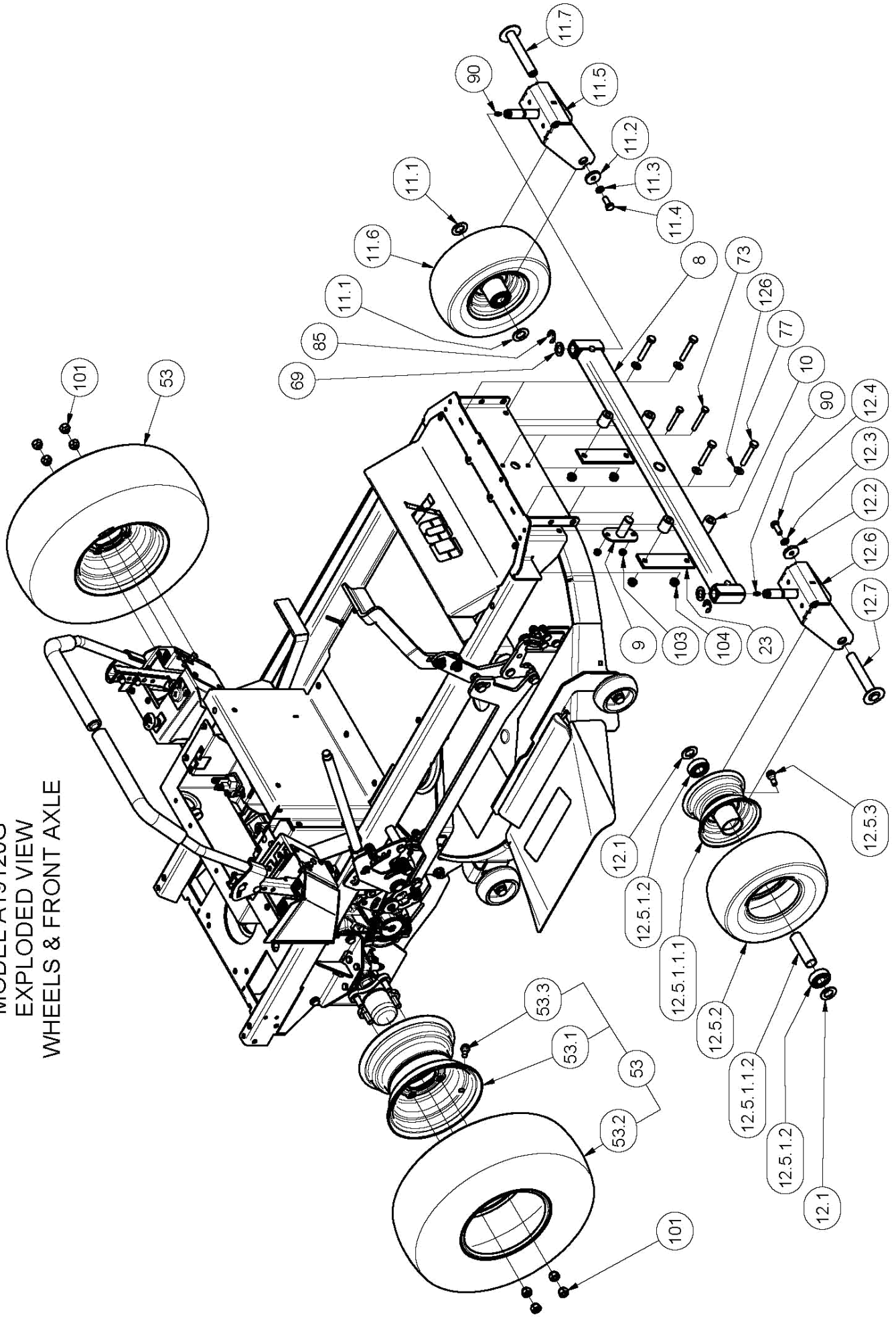
MODEL A19120G
EXPLODED VIEW
PARK BRAKE DRIVE CONTROLS



PARK BRAKE DRIVE COMPONENTS

ITEM	PART NUMBER	DESCRIPTION	QTY
7	NM8NT	Nut, Hex, Nyloc, Thin, M 8, Pc6	2
43	W06MN	Washer, Flat, Bright, M 6x 12.5x1.2	8
44	NM6NT	Nut, Hex, Nyloc, Thin, M 6, Pc6	4
57	SH0825M	Screw, Hex, M 8x 25, Pc8.8	2
72	BHSSM6X16	Screw, Button, Hex Soc, M 6x 16, Pc10.9	4
75.1	A191029S	Front, Pedestal	1
	A191089S	Cover, Pedestal	1
75.2	AM009	Hand Grip	1
75.3	AM288	Spring, Extension, Park Brake/Chain Adjust	1
75.4	SP1PNCMSM	Switch, Plunger, 1 Pole, Nc, Snap Mtg	1
75.5	CSP2PSM	Cover, Switch, Plunger, 2 Pole, Snap Mtg	1
75.6	CSP1PSM	Cover, Switch, Plunger, 1 Pole, Sn	1
75.7	SP2PNONCSM	Switch, Plunger, 2 Pole, No+Nc, Snap Mtg	1
77	A191033Z	Link, Brake, Park	1
78	NHM8	Nut, Hex, M8	2

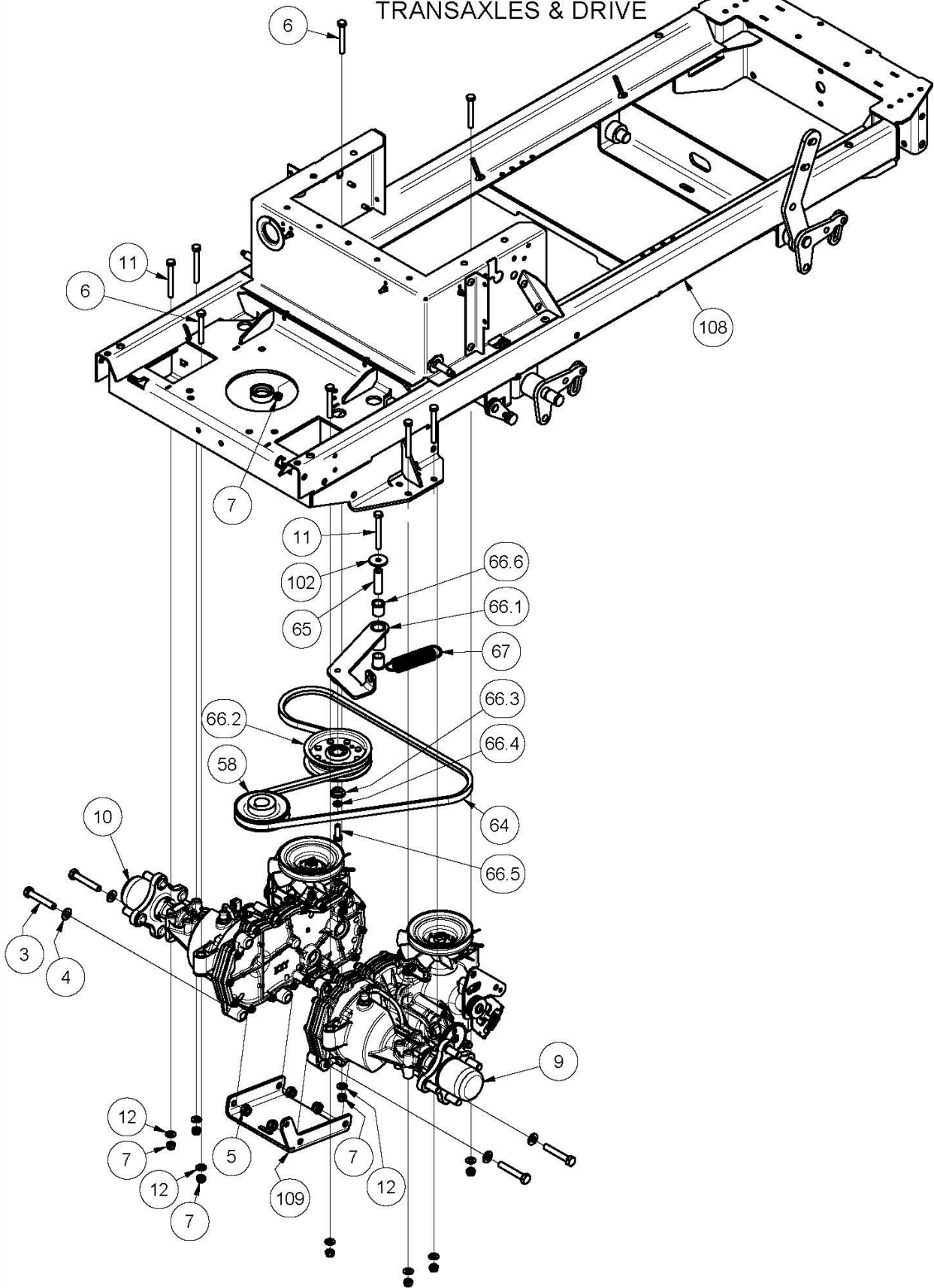
MODEL A19120G
EXPLODED VIEW
WHEELS & FRONT AXLE



FRONT AXLE COMPONENTS

ITEM	PART NUMBER	DESCRIPTION	QTY
8	A120523T	Beam, Axle, Caster	1
9	A120593Z	Pin, Pivot, Axle, Front	1
10	A120605Z	Spacer, Cheek Plate	4
11		Sub-Assy, Wheel, Caster, Left	1
11.1	W20MN	Washer, Flat, Bright, M20x 37x2.0	2
11.2	W103506	Washer, Flat, Black, 10x35x6l	1
11.3	WSM10X3.7X2.5	Washer, Lock, Spring, M10x3.5x2.2	1
11.4	SH1025M	Screw, Hex, M10 X 25, Pc 8.8	1
11.5	A120588Z	Fork, Caster	1
11.6	A120592	Wheel, 11x400, With Bearings	1
11.7	A120609Z	Axle, Wheel, Caster	1
12		Sub-Assy, Wheel, Caster	1
12.1	W20MN	Washer, Flat, Bright, M20x 37x2.0	2
12.2	W103506	Washer, Flat, Black, 10x35x6	1
12.3	WSM10X3.7X2.5	Washer, Lock, Spring, M10x3.5x2.2	1
12.4	SH1025M	Screw, Hex, M10 X 25, Pc 8.8	1
12.5	A120592	Wheel, 11x400, With Bearings	1
12.5.1.1.2	A120520	Sleeve, Spacer, Bearing, L=87	1
12.5.1.2	BB204714NN	Bearing, Ball	2
12.5.2	TT11X400-5SS	Tyre, 11x 4.00- 5, Tubeless	1
12.5.3	Purchase Locally	Valve, Tubeless, Snap-In, Tr412	1
12.6	A120588Z	Fork, Caster	1
12.7	A120609Z	Axle, Wheel, Caster	1
23	A172013Z	Support, Axle, Front	2
53	A191130	Wheel, 18x650, Turf-Saver, 4@4" (35")	2
53.1	84015TPC	Rim	1
53.2	TT18X 650-8SS	Tyre, 18 X 6.50-8	1
	STU18X650-8SS	Tube (Optional)	
53.3	Purchase Locally	Valve, Tubeless, Snap-In, Tr412	1
53—CA194	A120212	Wheel, 18x850 (CA194—Optional Wide Wheel Kit)	2
53.2— CA194	TT18X 850-8SS	Tyre, 18 X 8.50-8 (Wide Wheel Kit)	1
	STU18X850-8SS	Tube (Optional) (Wide Wheel Kit)	
69	AM336	Washer, Sealing, Shaft	2
73	B0860M	Bolt, Hex, M 8x 60, Pc8.8	2
77	B1060M	Bolt, Hex, M10x 60, Pc8.8	4
85	C02	Circlip, Ext, 'E' Type	2
90	GNTF3	Nipple, Grease	2
101	NHWF08	Nut, Hex, Wheel	8
103	NM8NT	Nut, Hex, Nyloc, Thin, M 8, Pc6	2
104	NM10NT	Nut, Hex, Nyloc, Thin, M10, Pc6	4
126	W10MN	Washer, Flat, Bright, M10x 21x1.6	4

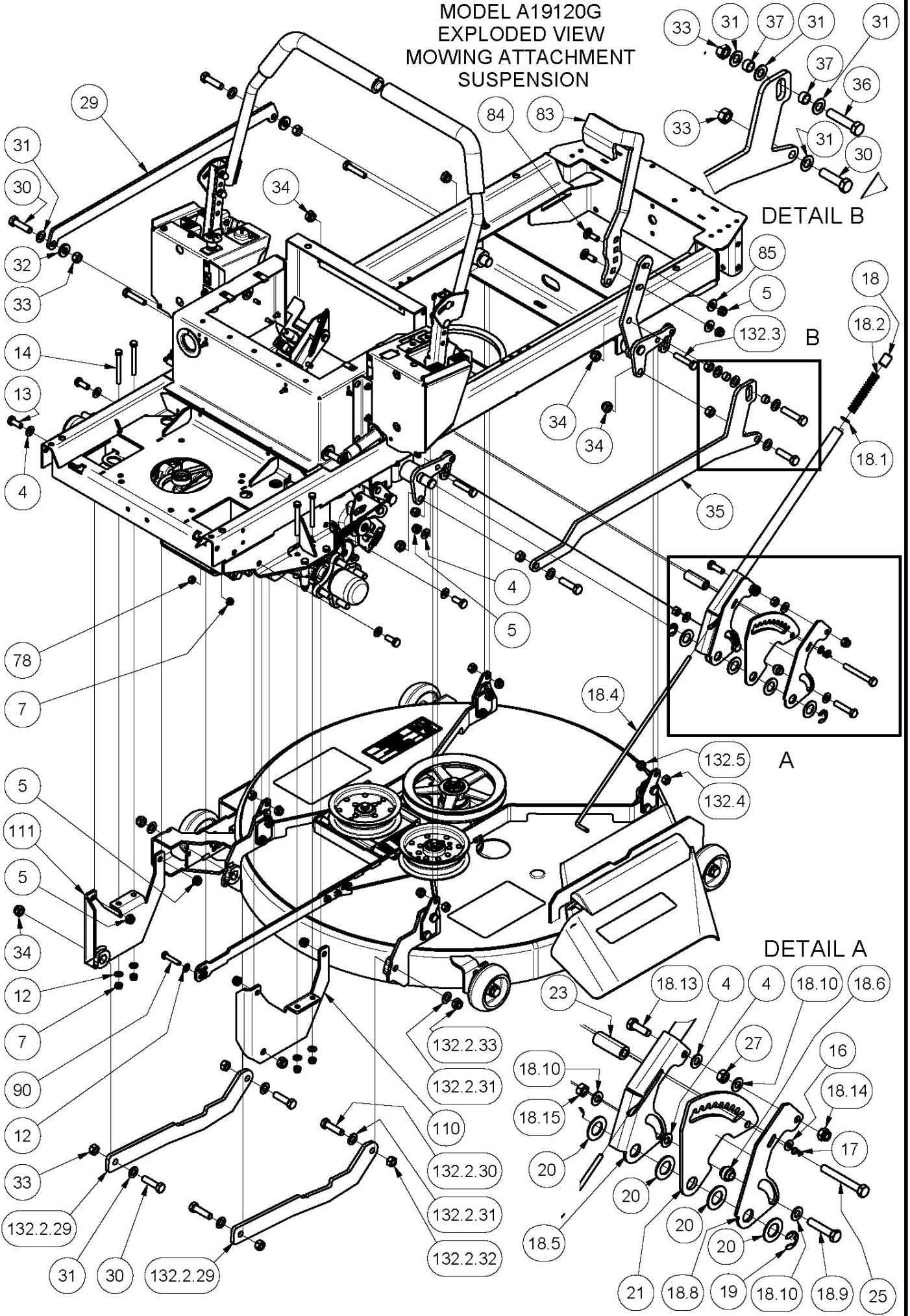
MODEL A19120G
EXPLODED VIEW
TRANSAXLES & DRIVE



TRANSAXLES & DRIVE COMPONENTS

ITEM	PART NUMBER	DESCRIPTION	QTY
3	B1060M	Bolt, Hex, M10x 60, Pc8.8	4
4	W10MN	Washer, Flat, Bright, M10x 21x1.6	4
5	NM10NT	Nut, Hex, Nyloc, Thin, M10, Pc6	4
6	B0860M	Bolt, Hex, M 8x 60, Pc8.8	4
7	NM8NT	Nut, Hex, Nyloc, Thin, M 8, Pc6	8
9		Transaxle, Hydro, R, Hyg, ZC-APBB-4M7B-2WPX	1
10		Transaxle, Hydro, L, Hyg, ZC-DPBB-4M7C-3WPX	1
11	B0870M	Bolt, Hex, M 8 X 70, Pc8.8	5
12	W08MN	Washer, Flat, Bright, M 8x 17x1, 2	9
58	A191149	Pulley, Engine	1
64	V25	Belt, V	1
65	14070	Sleeve, Pivot, Drive Belt Tensioning Arm	1
66.1	A191055Z	Arm, Tensioner, Belt, Drive	1
66.2	PIFBB02C	Idler, Flat	1
66.3	14025	Boss, Idler	1
66.4	WS050216	Washer, Lock, Spring, 5/16"X1/8"X1/16"	1
66.5	SH0825M	Screw, Hex, M 8x 25, Pc8.8	1
66.6	A120685	Bush, Flanged, Nylon	2
67	AM145	Spring, Extension, Weight Compensating	1
102	W052003	Washer, Flat, Black, 5/16"X1-1/4"X3	1
108		Sub-Assy, Chassis, Ztr, Lawnboss	1
109	A191051T	Brace, Transaxle, Blkrip	1

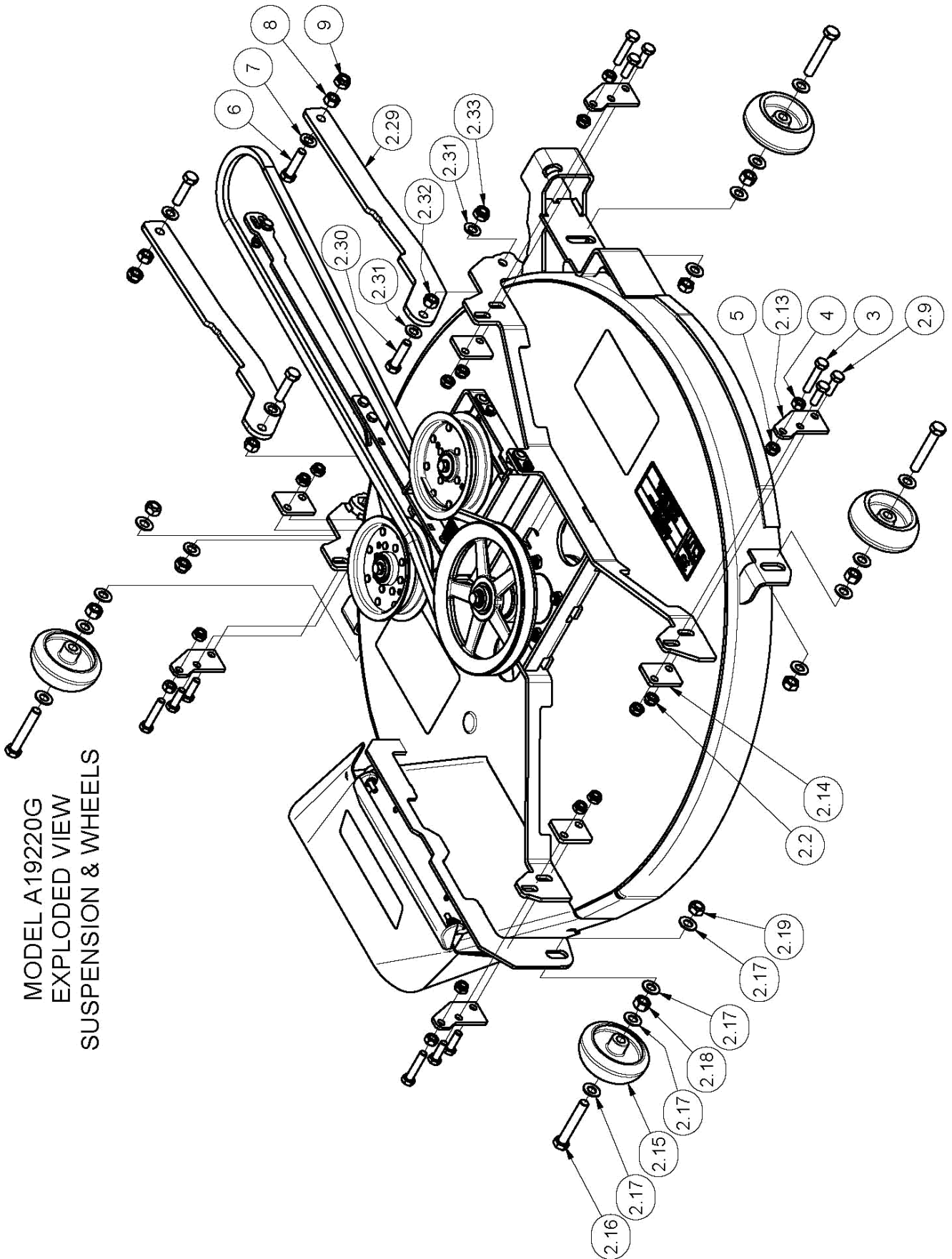
MODEL A19120G
EXPLODED VIEW
MOWING ATTACHMENT
SUSPENSION



MOWING ATTACHMENT SUSPENSION COMPONENTS

ITEM	PART NUMBER	DESCRIPTION	QTY
4	W10MN	Washer, Flat, Bright, M10x 21x1.6	7
5	NM10NT	Nut, Hex, Nyloc, Thin, M10, Pc6	7
7	NM8NT	Nut, Hex, Nyloc, Thin, M 8, Pc6	5
12	W08MN	Washer, Flat, Bright, M 8x 17x1, 2	5
13	SH1025M	Screw, Hex, M10 X 25, Pc 8.8	4
14	B0875M	Bolt, Hex, M 8 X 70, Pc8.8	4
16	W041018	Washer, Flat, Bright, 1/4"X5/8"X18g	1
17	RP04	Pin, 'R', Steel, 1.4x 25	1
18	AM013Q2	Height Adjustment Button	1
18.1	W061216	Washer, Flat, Bright, 3/8"X3/4"X16g	1
18.2	AM012	Spring, Compression, Pawl Push Rod	1
18.4	A179113Z	Rod, Adjust, Height, Cut	1
18.5	A191035C	Handle, Adjust, Height, Cut	1
18.6	A182115Z	Bush, Spacer, Adjust, Height, Cut	1
18.8	A191039Z	Arm, Adjust, Height, Cut	1
18.9	B1050M	Bolt, Hex, M10x 50, Pc8.8	1
18.10	W10MN	Washer, Flat, Bright, M10x 21x1.6	3
18.13	SH1030M	Screw, Hex, M10x 30, Pc8.8	1
18.14	NM10N	Nut, Hex, Nyloc, M10, Din982, Pc8	2
18.15	NHM10	Nut, Hex, M10, Pc8	2
19	C02	Circlip	4
20	W20MN	Washer, Flat, Bright, M20x 37x2.0	4
21	A191037Z	Rack, Adjust, Height, Cut	1
23	A191045Z	Post	1
25	B1080M	Bolt, Hex, M10x80, Pc8.8	1
27	NHM10	Nut, Hex, M10, Pc8	1
29	A191041Z	Link, Suspend, Mower, Left	1
30	B1245M	Bolt, Hex, M12x 45, Pc8.8	3
31	W12MN	Washer, Flat, Bright, M12x 24x1.6	8
32	A126519Z	Washer, Flat, Black, 12x27.5x5	2
33	N12M	Nut, Hex, M12, Pc5	5
34	NM12NT	Nut, Hex, Nyloc, Thin, M12, Pc6	6
35	A191043Z	Link, Suspend, Mower, Right	1
36	B1255M	Bolt, Hex, M12x 55, Pc8.8	1
37	A191047Z	Bush, 12.5x16x 9	2
78	NHM8	Nut, Hex, M8	1
83	A191093N	Lever, Pedal, Lift, Deck	1
84	BCHSNM10X30	Bolt, Cup, Sq Neck, M10x 30, Pc4.6	2
85	W10M	Washer	2
90	B0840M	Bolt, Hex, M8x40, Pc8	1
110	A191079T	Mount, Link, Push, Right	1
111	A191077T	Mount, Link, Push, Left	1
132	CA19220G	Attachment, Mowing, 890(35")	1
132.2		Sub-Assy, Deck, Side, 890(35")	1
132.2.29	A191081Z	Link, Push, Mower	2
132.2.30	B1245M	Bolt, Hex, M12x 45, Pc8.8	2
132.2.31	W12MN	Washer, Flat, Bright, M12x 24x1.6	4
132.2.32	N12M	Nut, Hex, M12, Pc5	2
132.2.33	NM12NT	Nut, Hex, Nyloc, Thin, M12, Pc6	2
132.3	B1050M	Bolt, Hex, M10x 50, Pc8.8	4
132.4	NHM10	Nut, Hex, M10, Pc8	4
132.5	NM10NT	Nut, Hex, Nyloc, Thin, M10, Pc6	4

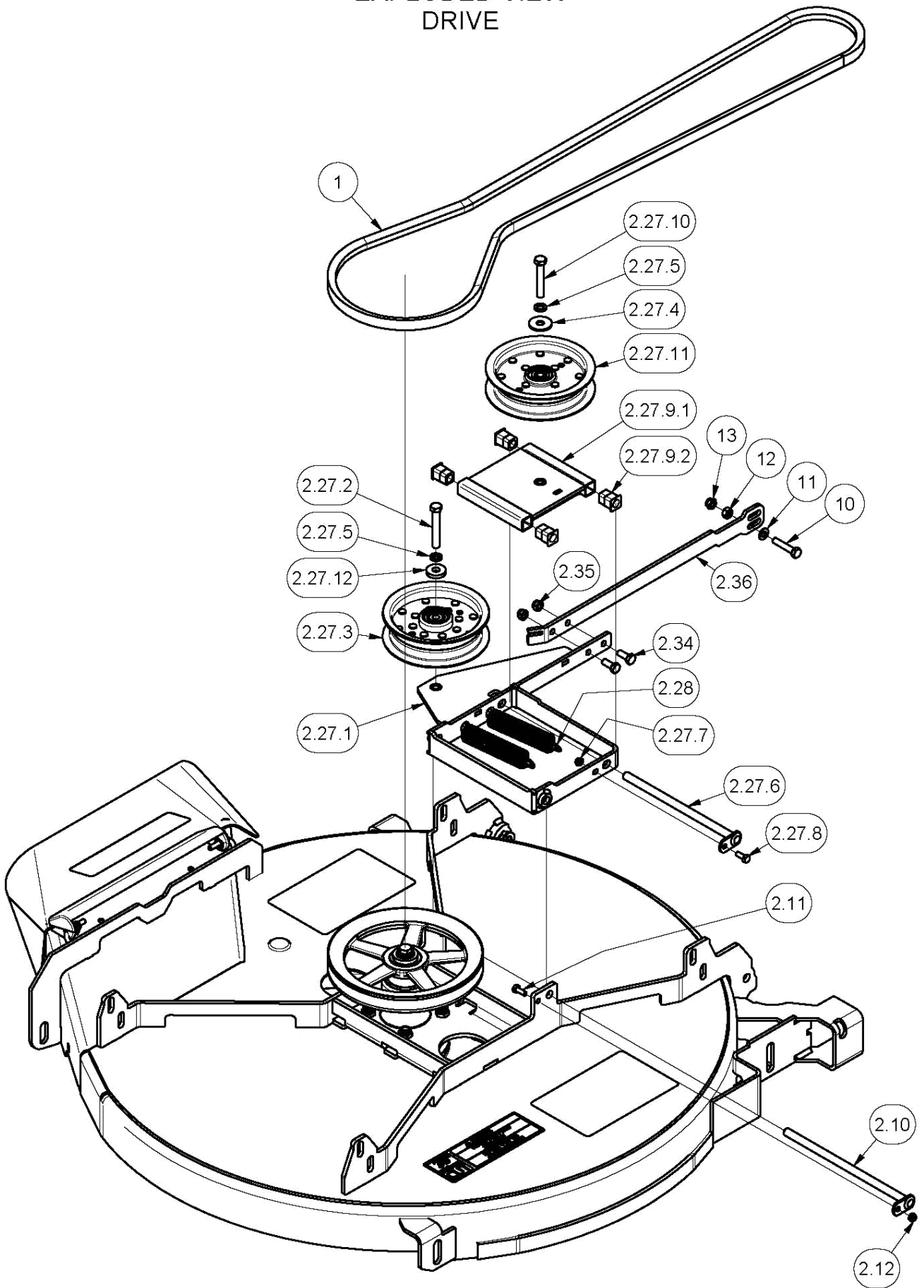
MODEL A19220G
EXPLODED VIEW
SUSPENSION & WHEELS



SUSPENSION & WHEELS (35") COMPONENTS

ITEM	PART NUMBER	DESCRIPTION	QTY
2.2	NM10NT	Nut, Hex, Nyloc, Thin, M10, Pc6	12
2.9	SH1030M10.9	Screw, Hex, M10x 30, Pc10.9	9
2.13	A192017Z	Mount, Suspension	4
2.14	A180019Z	Clamp, Mount, Suspension, Rear	4
2.15	A180062	Wheel	4
2.16	B0848F	Bolt, Hex, Unf, 1/2"X 3", Gr5	4
2.17	W081616	Washer, Flat, Bright, 1/2"X1"X16g	16
2.18	N08F	Nut, Hex, Unf, 1/2", Gr5	4
2.19	N08FC	Nut, Hex, Conelock, Unf, 1/2", Gr5	4
2.29	A191081Z	Link, Push, Mower	2
2.30	B1245M	Bolt, Hex, M12x 45, Pc8.8	2
2.31	W12MN	Washer, Flat, Bright, M12x 24x1.6	4
2.32	N12M	Nut, Hex, M12, Pc5	2
2.33	NM12NT	Nut, Hex, Nyloc, Thin, M12, Pc6	2
3	B1050M	Bolt, Hex, M10x 50, Pc8.8	4
4	NHM10	Nut, Hex, M10, Pc8	4
5	NM10NT	Nut, Hex, Nyloc, Thin, M10, Pc6	4
6	B1245M	Bolt, Hex, M12x 45, Pc8.8	2
7	W12MN	Washer, Flat, Bright, M12x 24x1.6	2
8	N12M	Nut, Hex, M12, Pc5I	2
9	NM12NT	Nut, Hex, Nyloc, Thin, M12, Pc6	2

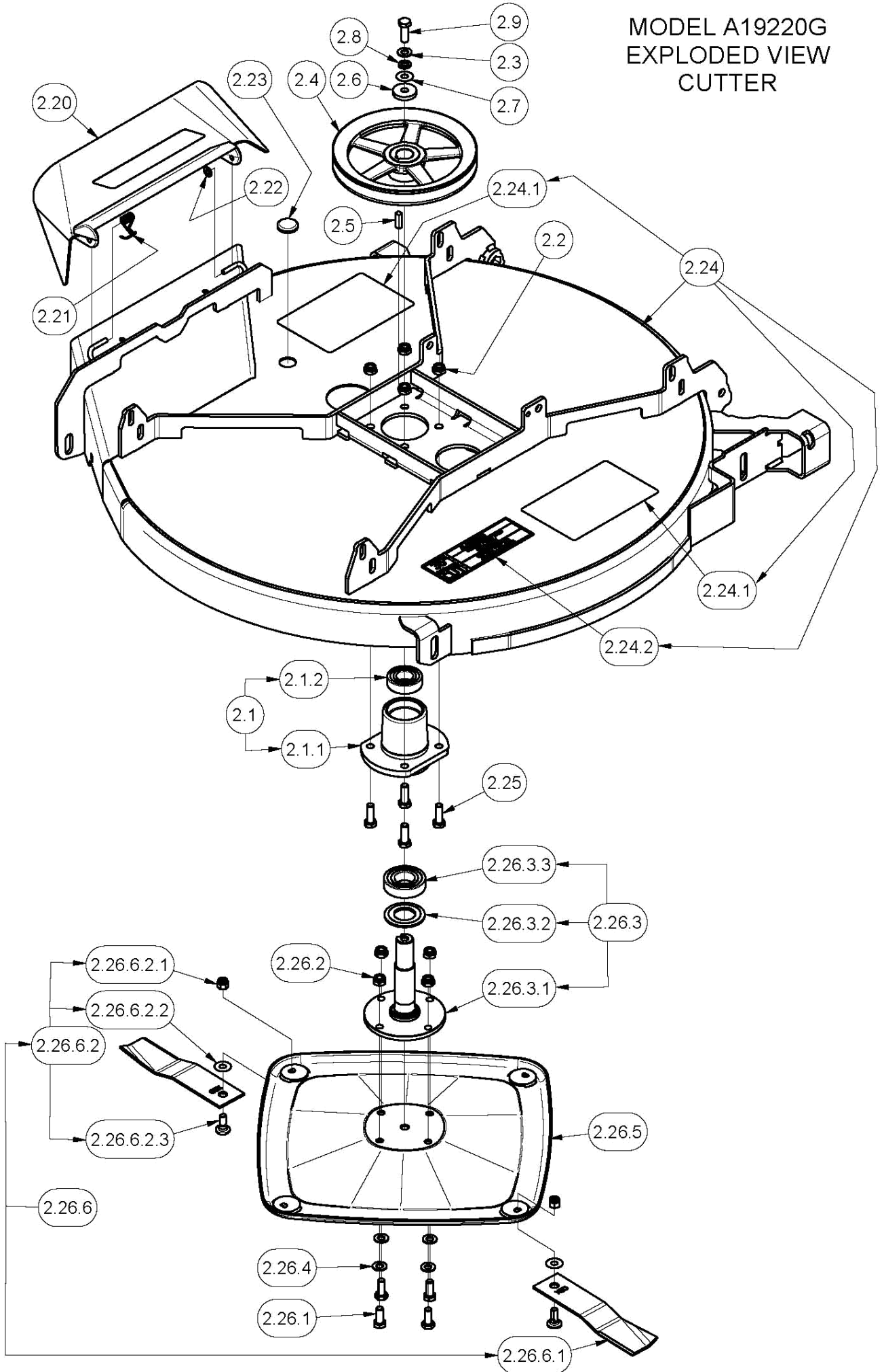
MODEL A19220G
EXPLODED VIEW
DRIVE



35" CUTTER DRIVE COMPONENTS

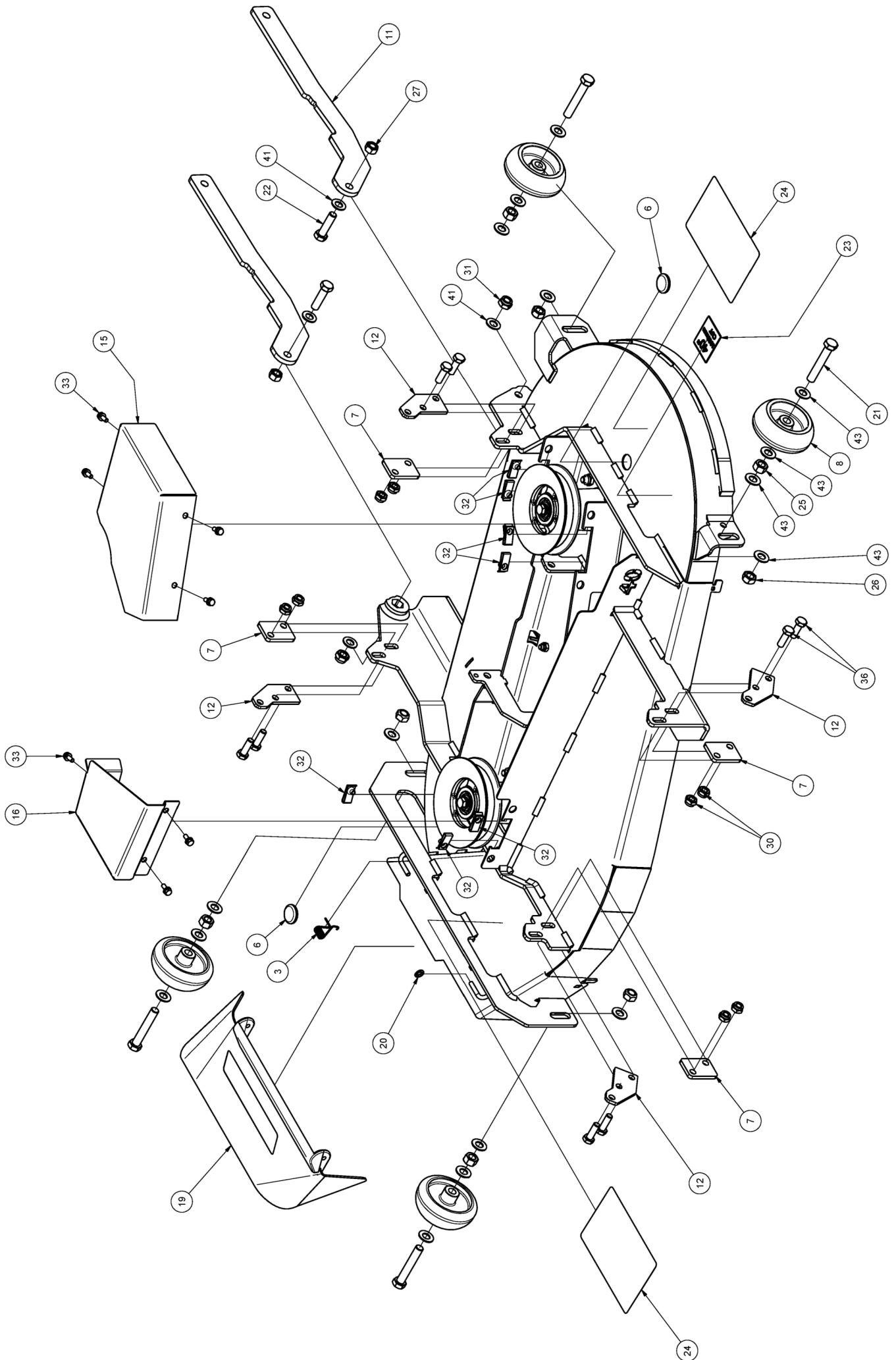
ITEM	PART NUMBER	DESCRIPTION	QTY
1	V50	Belt, V	1
2.10	A170013Z	Pin, 11.1dia, L=240	1
2.11	SH0616M	Screw, Hex, M 6x 16, Pc4.6	1
2.12	NM6NT	Nut, Hex, Nyloc, Thin, M 6, Pc6	1
2.27.1	A192009Z	Frame, Cradle, Idler	1
2.27.2	B0640C	Bolt, Hex, Unc, 3/8"X2-1/2", Gr5	1
2.27.3	PIFBB05	Idler, Flat, Flg, Brg, Seal, 3/8"X24x5"	1
2.27.4	W0620HD	Washer, Flat, Black, 3/8"X1-1/4"X3	1
2.27.5	WS06081.5	Washer, Lock, Spring, 3/8"X1/8x3/32"	2
2.27.6	A170015Z	Pin, 11.1dia, L=215	1
2.27.7	NM6NT	Nut, Hex, Nyloc, Thin, M 6, Pc6	1
2.27.8	SH0616M	Screw, Hex, M 6x 16, Pc4.6	1
2.27.9.1	A192011Z	Frame, Slide, Idler	1
2.27.9.2	AM230	Bush - Plastic	4
2.27.10	B0636C	Bolt, Hex, Unc, 3/8"X2-1/4", Gr5	1
2.27.11	PIFBB06	Idler, Flat, Flg, Brg, Seal, 3/8"X16x5"	1
2.27.12	W102705	Washer, Flat, Black, 10.5x27x5	1
2.28	A170028	Spring, Extension	2
2.34	SH0820M	Screw, Hex, M 8x 20, Pc8.8	2
2.35	NM8NT	Nut, Hex, Nyloc, Thin, M 8, Pc6	2
2.36	A192019Z20G	Link, Frame, Idler	1
10	B0840M	Bolt, Hex, M8x40, Pc8	1
11	W08MN	Washer, Flat, Bright, M 8x 17x1, 2	1
12	NHM8	Nut, Hex, M8	1
13	NM8NT	Nut, Hex, Nyloc, Thin, M 8, Pc6	1

MODEL A19220G
EXPLODED VIEW
CUTTER



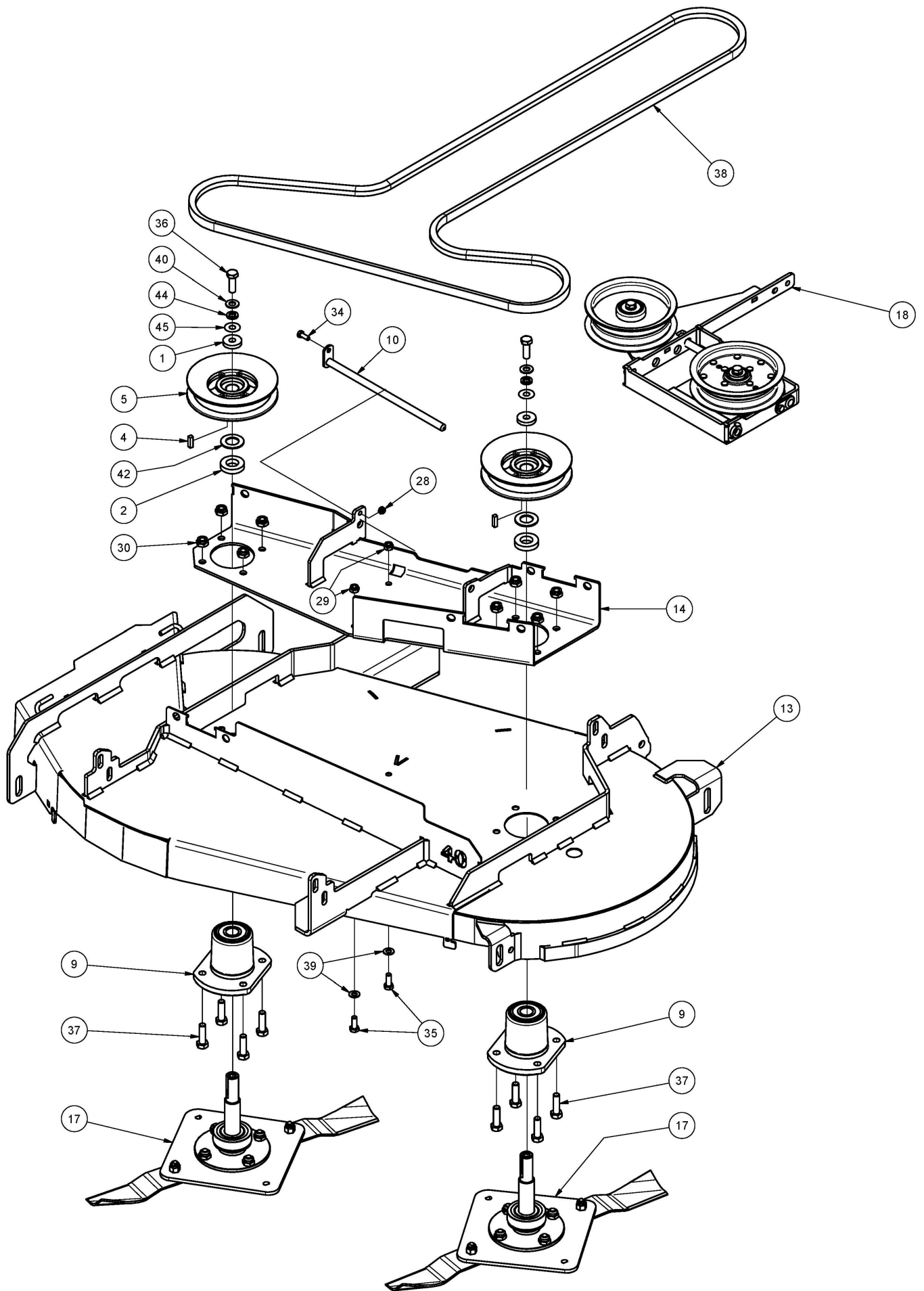
35" CUTTER COMPONENTS

ITEM	PART NUMBER	DESCRIPTION	QTY
2.1	A180015	Sub-Assy, Housing, Bearing, Cutter, 25ID	1
2.1.2	BB255215NN	Bearing, Ball	1
2.2	NM10NT	Nut, Hex, Nyloc, Thin, M10, Pc6	12
2.3	W10MN	Washer, Flat, Bright, M10x 21x1.6	1
2.4	A170007	Pulley, Cutter, 25k8x7, B208, Ci	1
2.5	A156017	Key, 8x 7x 25	1
2.6	W103506	Washer, Flat, Black, 10x35x6	1
2.7	WW0616	Washer, Wave	1
2.8	WSM10X3.66X2.69	Washer, Lock, Spring, M10x3.66x2.69	1
2.9	SH1030M10.9	Screw, Hex, M10x 30, Pc10.9	9
2.20	AM259	Deflector, Cox Logo	1
2.21	A100003	Spring, Torsion, Deflector	1
2.22	AM274	Fastener, Pushon, Round, 1/4"	1
2.23	A121512	Grommet, Blanking, 1"	1
2.24	KIT325	Kit, Deck, Mower, Side, 890(35")	1
2.24.1	DEC11617E	Decal, Danger, Mowing Attachment	2
2.24.2	DEC33717E	Decal, Deck, Do Not Step, 35"	1
2.25	SH1030M	Screw, Hex, M10x 30, Pc8.8	4
2.26.1	SH1025M	Screw, Hex, M10 X 25, Pc 8.8	4
2.26.2	NM10NT	Nut, Hex, Nyloc, Thin, M10, Pc6	4
2.26.3	A192025	Sub-Assy, Spindle, Flanged, 25	1
2.26.3.2	A180013Z	Shield, Bearing, 32x60x3.6	1
2.26.3.3	BB306216NN	Bearing, Ball	1
2.26.4	W10MN	Washer, Flat, Bright, M10x 21x1.6	4
2.26.5	A170003T	Disc, Cutter, 492 Pcd	1
2.26.6	SKIT54N	Pair, Blade+Bolt+Washer+Nut, Standard, 198	1
2.26.6.2	SKIT01D1	Blade Bolt & Nut Set	1



40" MOWING ATTACHMENT ANCILLARY COMPONENTS

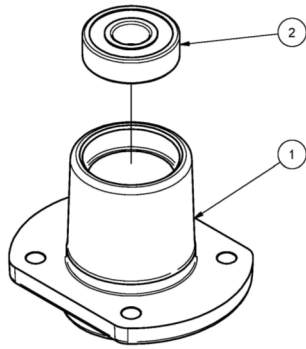
ITEM	PART NUMBER	DESCRIPTION	QTY
3	A100003	Spring, Torsion, Deflector	1
6	A121512	Grommet, Blanking	2
7	A180019Z	Clamp, Mount, Suspension, Rear	4
8	A180062	Wheel, 4"	4
11	A191081Z	Link, Push, Mower	2
12	A192017Z	Mount, Suspension	4
15	A193025T	Guard, Pulley, Left	1
16	A193027T	Guard, Pulley, Right	1
19	AM259	Deflector, Cox Logo	1
20	AM274	Fastener, Pushon, Round, 1/4"	1
21	B0848F	Bolt, Hex, Unf, 1/2"X 3", Gr5	4
22	B1245M	Bolt, Hex, M12x 45, Pc8.8	2
23	DEC524	Decal, 1005(40")Cut	1
24	DEC11617E	Decal, Danger, Mowing Attachment	2
25	N08F	Nut, Hex, Unf, 1/2", Gr5	4
26	N08FC	Nut, Hex, Conelock, Unf, 1/2", Gr5	4
27	N12M	Nut, Hex, M12	2
31	NM12NT	Nut, Hex, Nyloc, Thin, M12, Pc6	2
32	NU133M6	Nut, U, 13x3, M6	7
33	SEMSM6X18	Screw, Hex, +Washers, M6x18	7
36	SH1030M10.9	Screw, Hex, M10x 30, Pc10.9	10
41	W12MN	Washer, Flat, Bright, M12x 24x1.6	4
43	W081616	Washer, Flat, Bright, 1/2"X1"X16g	16



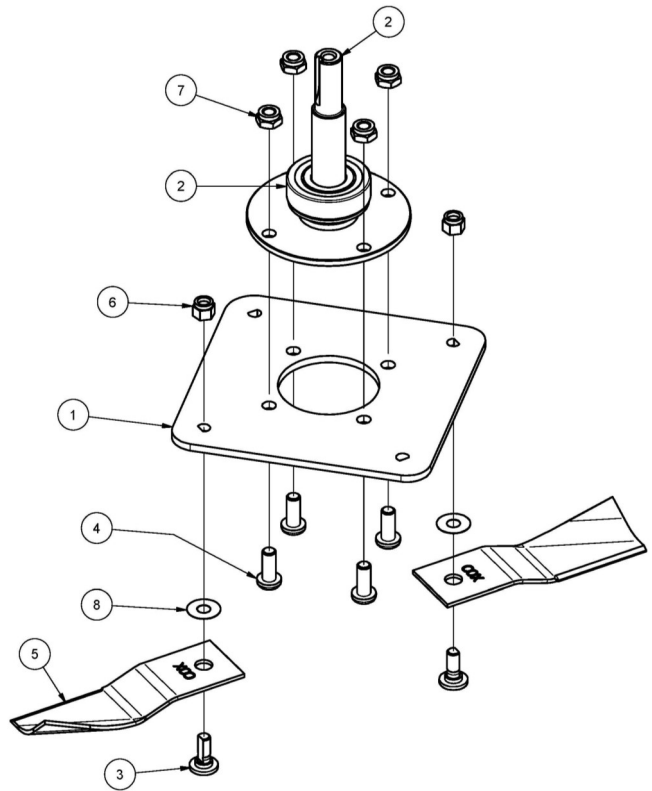
40" MOWING ATTACHMENT ANCILLARY COMPONENTS

ITEM	PART NUMBER	DESCRIPTION	QTY
1	13247	Washer, Flat, Black, 10.5x30x6	2
2	14108	Washer, 20idx38.1odx8 Thick	2
4	A100025	Key	2
5	A121506	Pulley, Cutter	2
9	Refer page 50	Sub-Assy, Housing, Bearing, Cutter	2
10	A181015Z	Pin	1
13	A193001T	Deck, Mower, Side, 1005(40")	1
14	A193023T	Frame, Reinforce, Deck	1
17	Refer page 50	Sub-Assy, Cutter, Swingback, 1005(40")	2
18	Refer page 50	Sub-Assy, Frame, Idler	1
28	NM6NT	Nut, Hex, Nyloc, Thin, M 6, Pc6	1
29	NM8NT	Nut, Hex, Nyloc, Thin, M 8, Pc6	2
30	NM10NT	Nut, Hex, Nyloc, Thin, M10, Pc6	16
34	SH0616M	Screw, Hex, M 6x 16, Pc4.6	1
35	SH0820M	Screw, Hex, M 8x 20, Pc8.8	2
36	SH1030M10.9	Screw, Hex, M10x 30, Pc10.9	10
37	SH1035M	Screw, Hex, M10 X 35	8
38	V58	Belt, V	1
39	W08MN	Washer, Flat, Bright, M 8x 17x1, 2	2
40	W10MN	Washer, Flat, Bright, M10x 21x1.6	2
42	W20MN	Washer, Flat, Bright, M20x 37x2.0	2
44	WSM10X3.66X2.69	Washer, Lock, Spring, M10x3.66x2.69	2
45	WW0616	Washer, Wave	2

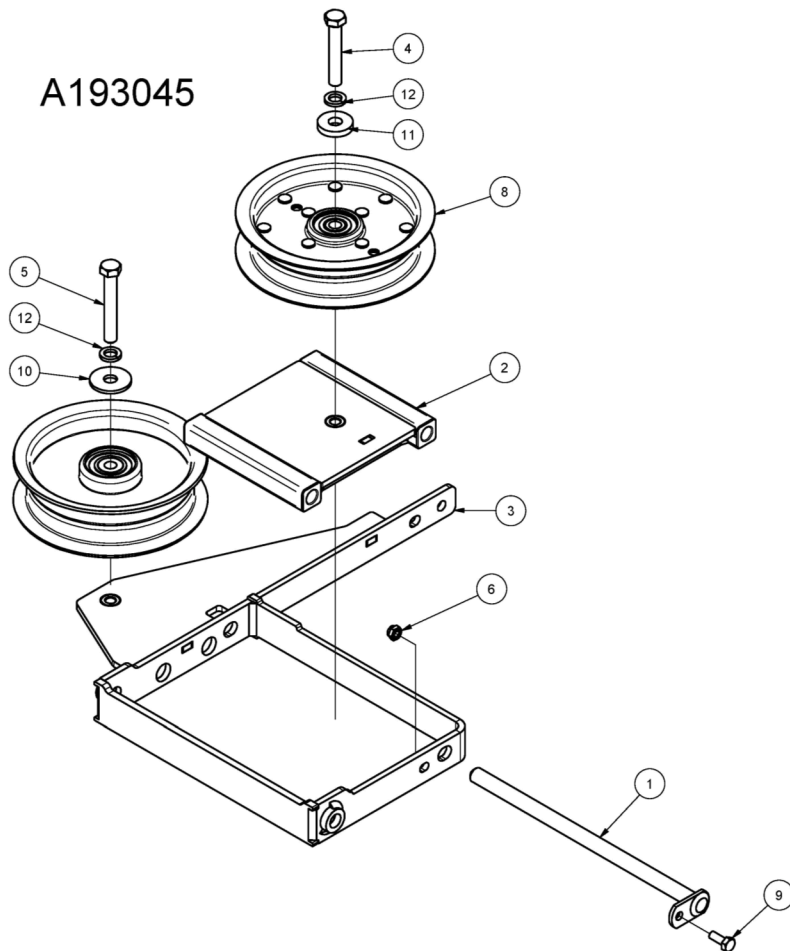
A181015



A193035



A193045



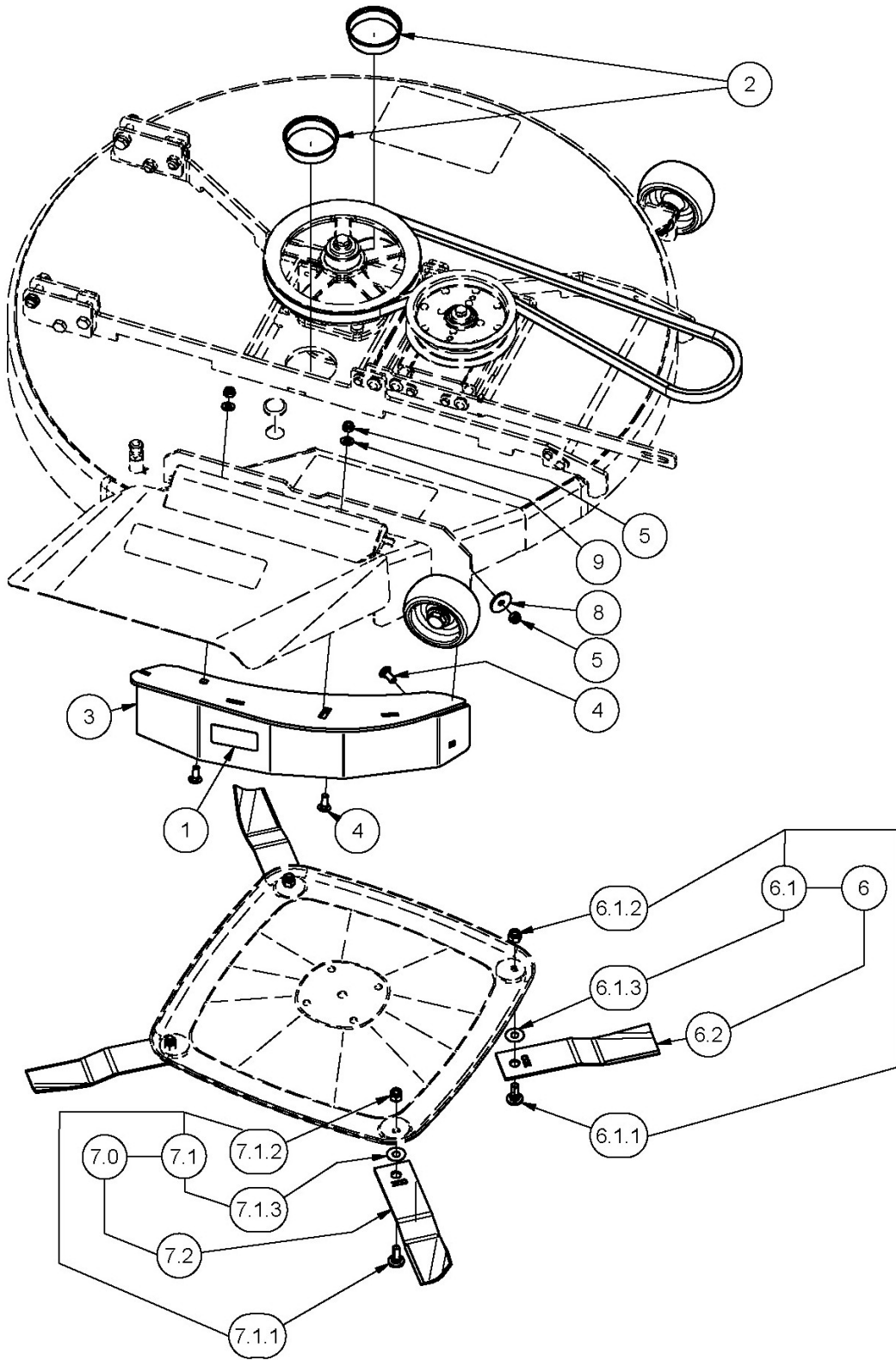
40" MOWING ATTACHMENT ANCILLARY COMPONENTS

ITEM	PART NUMBER	DESCRIPTION	QTY
A181015			
1	A180003B	Housing, Bearing	1
2	BB205215NS	Bearing, Ball	1
A193035			
1	A152013T	Disc, Cutter	1
2	A181030	Sub-Assy, Spindle	1
	A181013Z	Shield, Bearing	1
	BB256217N	Bearing, Ball	1
3,6,8	SKIT01D1	Blade Bolt, Nut & Washer Set (pr)	2
4	BHSSM10X25	Screw, Button, Hex Soc, M10x 25, Pc10.9	4
3,5,6,8	SKIT33N	Blade, Bolt, Nut & Washer Set (pr)	2
	SKIT01D1	Bolt, Nut & Washer Set (pr)	
7	NM10NT	Nut, Hex, Nyloc, Thin, M10, Pc6	4
A193045			
1	A170013Z	Pin	1
2		Sub-Assy, Slide Frame, Inc Bushes	1
3	A193009Z	Frame, Cradle, Idler, Znpl	1
4	B0636C	Bolt, Hex, Unc, 3/8"X2-1/4", Gr5	1
5	B0640C	Bolt, Hex, Unc, 3/8"X2-1/2", Gr5	1
6	NM6NT	Nut, Hex, Nyloc, Thin, M 6, Pc6	1
7	PIFBB05	Idler, Flat, Flg, Brg, Seal, 3/8"X24x5"	1
8	PIFBB06	Idler, Flat	1
9	SH0616M	Screw, Hex, M 6x 16, Pc4.6	1
10	W0620HD	Washer, Flat	1
11	W102705	Washer, Flat	1
12	WS06081.5	Washer, Lock, Spring, 3/8"X1/8x3/32"	2

DECALS

ITEM	PART NUMBER	DESCRIPTION	QTY
	DEC08517E	Decal, Warning, Fuel	1
	DEC11617E	Decal, Danger, Mowing Attachment	2
	DEC13517E	Decal, Caution, Hot Muffler	2
	DEC452	Decal, Instruct B&S 16HP	1
	DEC452P	Decal, Instruct PBS 24HP	1
	DEC453	Decal, Instruct B&S 20HP	1
	DEC454	Decal, POD, Left	1
	DEC455	Decal, POD, Right	1
	DEC456	Decal, Rail, Lawnboss ZTR. Left	1
	DEC457	Decal, Rail, Lawnboss ZTR. Right	1
	DEC459	Decal, Switch, Key	1
	DEC458	Decal, Control, Speed	1
	DEC461	Decal, Direction, F-N, Left	1
	DEC462	Decal, Direction, R-N, Left	1
	DEC463	Decal, Direction, F-N, Right	1
	DEC464	Decal, Direction, R-N, Right	1
	DEC460	Decal, Cover, Hourmeter B&S	1

CA17716D 35" MULCHING KIT (OPTIONAL ACCESSORY)



ITEM	PART NUMBER	DESCRIPTION	QTY
2	77003	Plug, 70 Dia Hole	2
3	A177001R16D	Plug, Mulching, 890(35"), Red	1
4	BCHSNM8X20	Bolt, Cup, Sq Neck, M8 X 20 Pc4.6	3
5	NM8NT	Nut, Hex, Nyloc, Thin, M 8, Pc6	3
6	SKIT54N	Pair, Blade+Bolt+Washer+Nut, Standard, 198	1
6.1	SKIT01D1	Blade Bolt & Nut Set	1
7	SKIT55N	Pair, Blade+Bolt+Washer+Nut, Airflow, 198	1
7.1	SKIT01D1	Blade Bolt & Nut Set	1
8	W052003	Washer, Flat, Black, 5/16"X1-1/4"X3, Znpl	1
9	W08MN	Washer, Flat, Bright, M 8x 17x1, 2, Znpl	2



Cox Industries (Australia) Pty Ltd

**70 Landseer Street
Acacia Ridge Qld 4110
Australia**

www.coxmowers.com.au

Email: sales@coxmowers.com.au