

2011
2012
2013
2014
2015
2016
2017
2018
2019
2020
2021
2022

COX Scarifier



Owner's Manual

		WARNING
	Read this manual. Serious injury or death can result if safety instructions are not followed.	

Engineered For Life





Figure 1



Figure 2

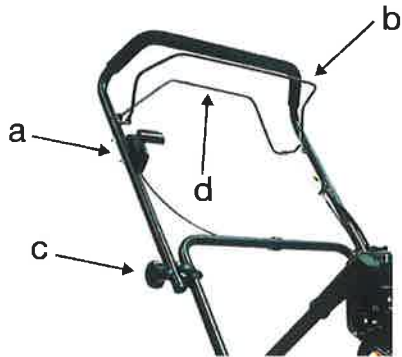


Figure 3

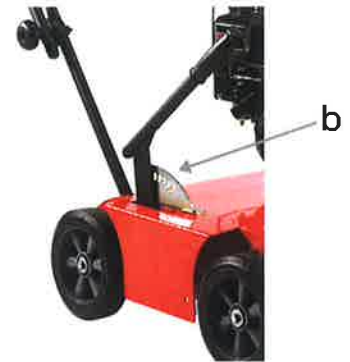


Figure 4



Figure 5

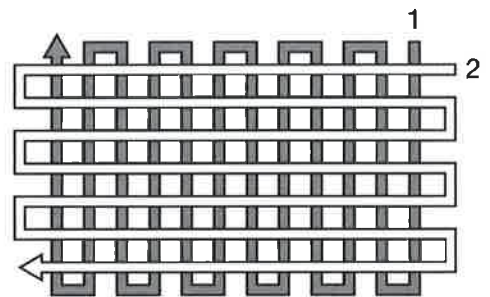


Figure 6

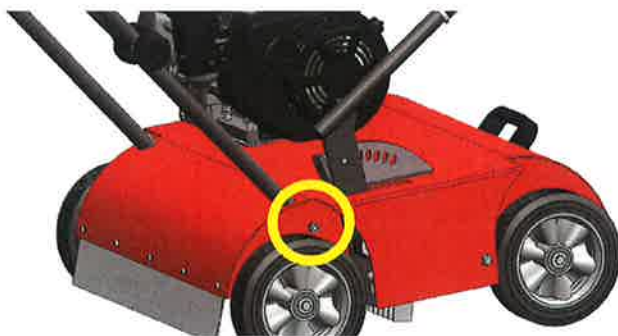


Figure 7

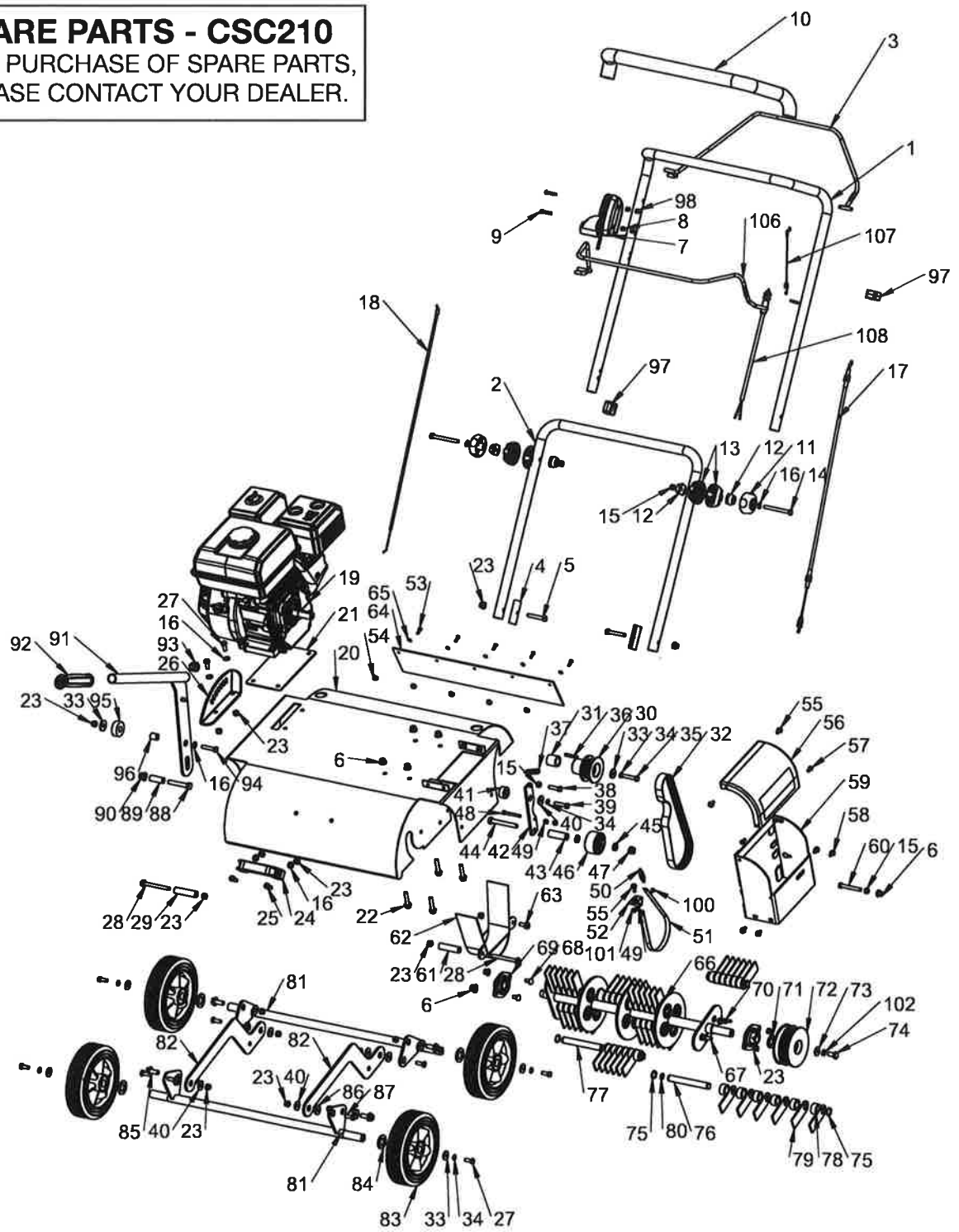


Figure 8

TABLE OF CONTENTS

Spare Parts	2 - 4
Safety precautions	5
Box Contents	6
Use	6
Under Operation	7
Cleaning and Maintenance	7
Technical specifications	7
Warranty Information	8

SPARE PARTS - CSC210
 FOR PURCHASE OF SPARE PARTS,
 PLEASE CONTACT YOUR DEALER.



ITEM	PART NUMBER	DESCRIPTION	QTY
1	118.001CE	Upper handle bar	1.00
2	118.002	Lower handle bar	1.00
106	118.066	Engine handle	1.00
3	118.067	Clutch handle	1.00
107	118.068	Spring	1.00
108	118.069	Flameout switch	1.00
4	118.004	Plate for handle	2.00
5	GB/T 5782 M8x50	Bolt GB/T 5782 M8x50	2.00
6	GB/T 6183.1 M8	Nut GB/T 6183.1 M8	3.00
7	706N	Throttle control	1.00
8	GB/T 70.2 M6x55 Black	GB/T 70.2 M6x55 Black	2.00
9	GB/T 889.1 M6	GB/T 889.1 M6	2.00
98	911.004	Nut cover	2.00
10	118.036	Tubing foam Ø25	1.00
11	109.013	Wing nut	2.00
12	109.014	Tube pad	4.00
13	109.017	Block	4.00
14	GB/T 5782 M8x100	Bolt GB/T 5782 M8x100	2.00
15	GB/T 6170 M8	Nut GB/T 6170 M8	4.00
16	GB/T 97.1 8	Washer GB/T 97.1 8	7.00
17	118.005CE	Clutch cable	1.00
18	118.006	Throttle cable	1.00
97	718	Clamp	2.00
19	ZS.GB210COX01	Engine ZS GB210	1.00
20	118.024RAL3020	Blade cover	1.00
21	101.055	Rubber pad	1.00
22	GB/T 5789 M8x45	GB/T 5789 M8x45	4.00
23	FB/T 889.1 M8	Nut FB/T 889.1 M8	18.00
24	118.037	Plastic handle	1.00
25	GB/T 70.1 M8x20	Bolt GB/T 70.1 M8x20	2.00
26	118.012	Level plate	1.00
27	GB/T 5783 M8x20	Bolt GB/T 5783 M8x20	6.00
28	GB/T 5789 M8x80	Bolt GB/T 5789 M8x80	2.00
29	118.027	Bushing	1.00
30	118.017	Driving pulley	1.00
31	118.018	Bushing	1.00
32	Kaiou 9PJ710	Belt 9PJ710	1.00
33	FB/T 5287 8x30x2.5	Big Washer FB/T 5287 8x30x2.5	8.00
34	GB/T 93 8	Washer GB/T 93 8	6.00
35	5/16 24UNF 2Bx38	Bolt 5/16 24UNF 2Bx38	1.00
37	118.020	Spring	1.00
38	GB/T 5783 M8x30	Bolt GB/T 5783 M8x30	1.00
39	GB/T 5783 M8x35	Bolt GB/T 5783 M8x35	1.00
40	GB/T 96.1 8	Washer GB/T 96.1 8	9.00
41	118.008	Bushing	1.00
42	118.007	Support plate	1.00
43	118.009	Bushing	1.00
44	GB/T 5782 M10x85	Bolt GB/T 5782 M10x85	1.00
45	GB/T 97.1 10	Washer GB/T 97.1 10	2.00
46	109.033	Tension pulley	1.00
47	FB/T 889.1 M10	Nut FB/T 889.1 M10	1.00

ITEM	PART NUMBER	DESCRIPTION	QTY
48	GB/T 5783 M6x50	Bolt GB/T 5783 M6x50	1.00
49	FB/T 889.1 M6	Nut FB/T 889.1 M6	2.00
50	118.023	Spring	1.00
51	118.021	Brake plate	1.00
52	118.022	Bracker	1.00
53	GB/T 818 M5x16	Screw GB/T 818 M5x16	5.00
54	GB/T 6177.1 M5	Nut GB/T 6177.1 M5	5.00
55	GB/T 5789 M6x16	Bolt GB/T 5789 M6x16	3.00
100	GB/T 818 M5x10	Screw GB/T 818 M5x10	1.00
101	GB/T 6183.1 M5	Nut GB/T 6183.1 M5	1.00
56	103.068	Handle glove	1.00
57	FB/T 6563 M6x10	Tapping lock screw FB/T 6563 M6x10	2.00
58	FB/T 6563 M6x16	Tapping lock screw FB/T 6563 M6x16	4.00
59	118.038	Belt cover	1.00
60	GB/T 5782 M8x60	Bolt GB/T 5782 M8x60	1.00
61	118.026	Belt cover bush	1.00
62	118.025	Belt lower cover	1.00
63	GB/T 5789 M8x20	Bolt GB/T 5789 M8x20	1.00
64	118.034	PVC plate	1.00
65	GB/T 96.1 5	Washer GB/T 96.1 5	5.00
66	118.028	Shaft for knives	1.00
67	GB/T 5783 M8x16	Bolt GB/T 5783 M8x16	2.00
68	GB/T 12 M8x20	Bolt GB/T 12 M8x20	2.00
69	GB/T 7810 UBPFL 204	Bearing GB/T 7810 UBPFL 204	2.00
70	GB/T 1096 C6x30	Key GB/T 1096 C6x30	1.00
71	FB/T 848 20x34x1.5	Washer FB/T 848 20x34x1.5	1.00
72	118.019	Driven pulley	1.00
73	GB/T 96.1 10	Washer GB/T 96.1 10	1.00
102	GB/T 93 10	Washer GB/T 93 10	1.00
74	GB/T 5783 M10x20	Bolt GB/T 5783 M10x20	1.00
75	GB/T 894.1 16	Circlip GB/T 894.1 16	16.00
76	118.031	Shaft longer	4.00
77	118.032	Shaft short	4.00
78	118.030	Rubber bushing	48.00
79	118.029	Knife	48.00
80	GB/T 97.1 16	Washer GB/T 97.1 16	4.00
81	118.033	Shaft for wheel	2.00
82	118.015	Connect plate	2.00
83	102.038	Wheel 8x2	4.00
84	FB/T 95.1 20	Washer FB/T 95.1 20	4.00
85	GB/T 5789 M8x25	Bolt GB/T 5789 M8x25	4.00
86	118.013	Step bushing	8.00
87	GB/T 70.3 M8x25	Bolt GB/T 70.3 M8x25	4.00
88	GB/T 5782 M10x60	Bolt GB/T 5782 M10x60	1.00
89	118.016	Bushing	1.00
90	GB/T 6183.1 M10	Nut GB/T 6183.1 M10	1.00
91	118.011	Adjust handle bar	1.00
92	109.001AG	Shift handle glove	1.00
93	109.015	Tube cap	1.00
94	GB/T 5782 M8x40	Bolt GB/T 5782 M8x40	1.00
95	118.014	Rubber bushing	1.00
96	118.010	Bushing	1.00

SAFETY PRECAUTIONS

The safety precautions must be complied with in full when using the lawn scarifier. Familiarize yourself with these user instructions before starting the machine. Ensure that you can stop the machine immediately and switch off the engine in the event of an accident.



The lawn scarifier must not be used in any other way than described in these user instructions.



Only use authorized accessories and spare parts. Fitting non-approved parts can increase the risk of problems and is therefore not permitted. The manufacturer cannot be held liable for any injury or damage caused by the use of unauthorised parts.



The guarantee is invalid if unauthorised parts or accessories are used.



Before using the machine for the first time, the user should be instructed in its use by the dealer or another qualified person.



The machine operator is responsible for the safety of other people in the vicinity. Never use the machine when there are other people, particularly children, or animals nearby.



Minors must not be permitted to operate the machine.



The machine should only be lent to persons who are familiar with its operation. The operating manual should always accompany the machine when it is lent to others.



The lawn scarifier should only be operated by persons who are not tired and who are healthy and fit. If the work is tiring, regular breaks should be taken. Do not use the machine under the influence of alcohol.



The control units fitted at the factory (e.g. throttle cable from handle) must not be removed or uncovered.



Always check before starting that nuts and bolts are correctly tightened.



Control oil levels before starting the motor.

CAUTION! ROTATING BLADES



Using the machine on steep slopes is dangerous!
Only use the machine in areas where it can be operated safely!



BOX CONTENTS

1. Machine (Figure 1)
2. Operating manual and motor instructions

The lawn scarifier is almost ready for use. Only the handlebar needs to be fitted.

Fit the bottom handlebar using the accompanying bolts. Figure 7.

Bottom handlebar must be fitted with tension plates inside. Figure 2

Fit the top handlebar, unfold the handlebar and secure it in the required position with the grips.

See figure 3, c.

USE



Before use, follow the instructions for readying the motor in the motor instruction manual.

Before using the machine, remove all foreign objects from the vicinity. Stones, glass, branches and similar items can damage the machine. Also check that all bolts are tightened.



Control oil levels before starting the motor.

Start:

Set the gas handle to choker / full gas, figure 3,a.

Follow motor start instructions.

Set the engine handle to start the engine, figure 3,b.

Stop:

Set the gas handle to minimum gas, figure 3,a.

Follow motor stop instructions.

Release the engine handle to stop the engine, figure 3,b.

The clutch grip on the handle is used to activate the rotating blades under the machine. It is important that the clutch allows for connection under operation, i.e. the clutch trigger is to be held tight up against the handle.

Figure 3,d.

The rotating blades disengage automatically when the trigger is released.

Working depth can be adjusted using the position settings on the right hand side of the machine, (figure 4, b).

The machine can be lifted to its transport position by using the handle on the right hand side of the machine, (figure 5, a).

UNDER OPERATION

The lawn scarifier is used to loosen moss, etc. from the lawn. The machine's blades rotate in the direction of travel, thereby helping to propel the machine forward.

Note! Only use it early spring or late autumn, when the soil is soft and moist.

Start the motor and lower the machine to the "work" position using the handle on the right hand side of the machine. Activate the clutch trigger and engage the motor fully. Move the lawn scarifier forwards and backwards across the lawn. After the first aeration remove any loose moss from the lawn. In the event that there is still moss in the lawn, aerate again at an angle of 90 degrees to the previous aeration. (figure 6)



Warning: Do not use the lawn scarifier in hard dry soil. This can damage the belt!

CLEANING AND MAINTENANCE

After use remove any moss attached to the shield. Stop the motor, remove the spark plug cap and tip the machine back. Clean under the shield with a brush.

If cleaning the machine with a hose, use a low pressure so as to avoid damaging the machine's stickers. Also avoid spraying the blade bearing directly. After washing the machine it is a good idea to start the machine and let the rotor blades run without resistance for a short period of time.



Never use a high pressure cleaner to clean the lawn scarifier.

Spray exposed areas with a corrosion protective spray.

Never tilt the machine more than 20 degrees as this can result in oil leaking into the cylinder.

Follow the motor manual instructions when performing motor maintenance.

For replacement of belt, see figure 8.

TECHNICAL SPECIFICATIONS

Model	CSC210
Engine	GB210,Black
Working width (mm)	460
Total width (mm)	700
Length (mm)	1100
Weight w/o fuel (kg)	69.5
Rotor diameter (mm)	210
Rotor speed (rev./min.)	2000
Number of blades	48
Blade type (mm)	Flails,3
Noise for user	83.5
Handle vibration (m/s ²)	2.64 - 2.84



DEFINITIONS:

"Commercial Use" means all uses other than Domestic use, including any use that is income producing, rental, or is in relation to use in schools, by government departments or charity operators.

"Cox Industries" means Cox Industries (Australia) Pty Ltd
ACN 050 991 038.

"Dealer" means an authorised Cox Industries Dealer a list of which can be found on our website: www.coxmowers.com.au

"Domestic Use" means use for a personal, residential or household (property) purpose.

"Scarifier" means any Scarifier manufactured by Cox Industries.

"Parts" means all parts that can be found in a machine.

"Warranty Period" means: for Domestic Use, a period of five (5) years (*conditions apply) or standard (4) years; or for Commercial Use, a period of one (1) year (*conditions apply) or standard (6) months, from the original date of purchase.

NEW SCARIFIER:

Our goods come with guarantees that cannot be excluded under the Australian Consumer Law. You are entitled to a replacement or refund for a major failure and compensation for any other reasonably foreseeable loss or damage. You are also entitled to have the goods repaired or replaced if the goods fail to be of acceptable quality and the failure does not amount to a major failure.

Nothing in this Warranty purports to modify or exclude the conditions, warranties and undertakings, and other legal rights, under the Australian Consumer Law. This Warranty gives you additional protection for your Mower and identifies a preferred approach to resolving warranty claims which will be quickest and simplest for all parties, subject to the exclusions, terms and conditions below.

WARRANTY PERIOD:

Cox Industries warrants in respect of each new Scarifier sold that, subject to the exclusions below, for the Warranty Period Cox Industries or a Dealer will repair or replace free of charge any Parts found to be defective in materials or workmanship under normal use and operating conditions. Other than for major failure, it is at Cox Industries sole discretion as to whether the Scarifier or Part is repaired or replaced.

The engine and clutch/brake are warranted by their manufacturers and are not covered by the Cox Domestic Use four (4) year and Cox Commercial Use one (1) year warranty.

***For our COX Domestic Use four (4) year and Cox Commercial Use one (1) year warranty to remain valid, we require the following:-**

1. The COX online warranty registration form is completed within fourteen days from date of purchase.
2. The Scarifier receives an initial service by an authorised COX Dealer at around 10 hours, or 3 months from date of purchase. At every 100 hours or annually, whichever is sooner, the unit is to be serviced by an authorised COX Dealer and the service times/dates are recorded by the COX servicing Dealer in the service log included within the COX website.
3. (Periodically additional maintenance is required to be carried out by a COX servicing Dealer or the Owner/Operators as per Owner/Operators Manual Maintenance Schedule).
4. For clarity, general wear and tear and user neglect are not covered under our warranty provisions.

PARTS INSTALLED DURING NEW WARRANTY PERIOD:

Warranty coverage for Parts installed during the new Warranty Period shall consist of the remainder of the new Warranty Period or ninety (90) days, whichever is greater, provided the installation is performed by an authorised Dealer.

TO CLAIM THE WARRANTY:

To make a claim under this Warranty, please bring or send the unit to an authorised Dealer with a copy of your proof of purchase. A claim under this Warranty is not formally made unless and until that proof of purchase is provided. This does not detract from your statutory rights.

WARRANTY REGISTRATION:

The online warranty registration form must be completed within 14 days of purchase. It is the purchaser's responsibility to ensure this is carried out. This Warranty is transferable to a subsequent owner of the unit, in the event of the sale of that product, provided that Cox Industries is informed in writing within a reasonable time of the sale of the subsequent owner's name and contact details, such notice to be provided to Cox Industries. The notice should identify the name of the previous owner of the unit, place and date of purchase, model, make and serial number of the unit. The effective transfer of this Warranty does not otherwise alter the terms of this Warranty in any way.

WARRANTY EXCLUSIONS:

This Warranty does not cover:

1. the costs of rental of another machine or related equipment while repairs are in progress ;
2. telephone, facsimile or other related communication expenses.
3. transportation and insurance charges during transportation of failed unit or any part thereof ;
4. the labour, parts, mechanical adjustments or lubricant costs which, in the judgement of Cox Industries or their Dealer, should have been made as standard maintenance according to the Cox Industries maintenance schedule ;
5. the replacement of or service costs relating to replacing and maintaining consumable parts which have ceased working through normal wear and tear such as, but not limited to, normal maintenance parts such as blades, bolts and nuts, belts, bearings, chains and clutches;
6. any damage or defect caused by alteration, modification, fitment of a non-genuine part or attachment not approved by Cox Industries or repair, modification or work carried out on the unit other than by a Dealer ;
7. any defect caused by misuse, negligence, accidents or failure to carry out proper maintenance procedures ;
8. damage caused by continued operation of the machine after it is known to be defective ;
9. any other expenses incurred by the consumer in making the warranty claim ;
10. damage caused by incorrect or improper operation (including racing or similar activities), maintenance or not following the instructions or maintenance requirements of the unit in accordance with the instructions provided with the machine ;
11. damage caused by failure to clean or improper cleaning of the machine ;
12. damage caused by adverse external conditions such as thunderstorm activity, acts of God, acts of terrorism, damage caused by vermin, or any other act or circumstance beyond Cox Industries' control; or
13. Damage caused by exposure to excessive heat, moisture or dampness, or exposure to abnormally corrosive conditions.

For the avoidance of any doubt, any and all warranties or conditions which are not guaranteed under the Australian Consumer Law or the Australian Competition and Consumer Regulations 2010 and which are not expressly included in this Warranty as additional warranties or conditions are excluded.

To the extent applicable by law, Cox Industries will not accept liability for costs of labour, postage, cartage or delivery to replace faulty materials or parts, or for any loss, damage or accident directly, indirectly, or consequently suffered by the purchaser, operator or any other person or property as a result of such faults whether due to defective materials or workmanship or otherwise.