



Piecemaker™

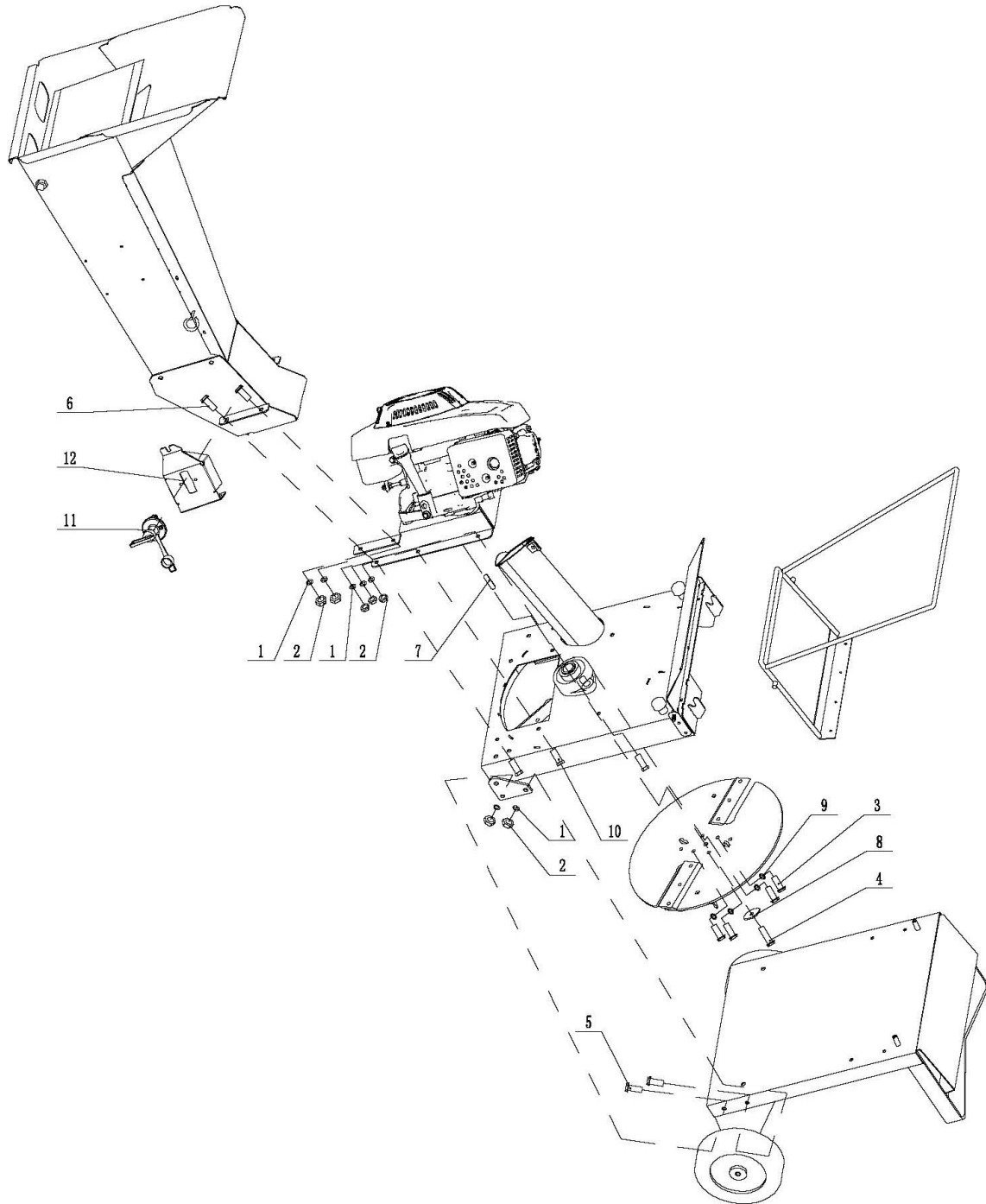
Illustrated Parts List suit Model PM225C

Service Code PM2252207

COX
Engineered For Life 
Chipper

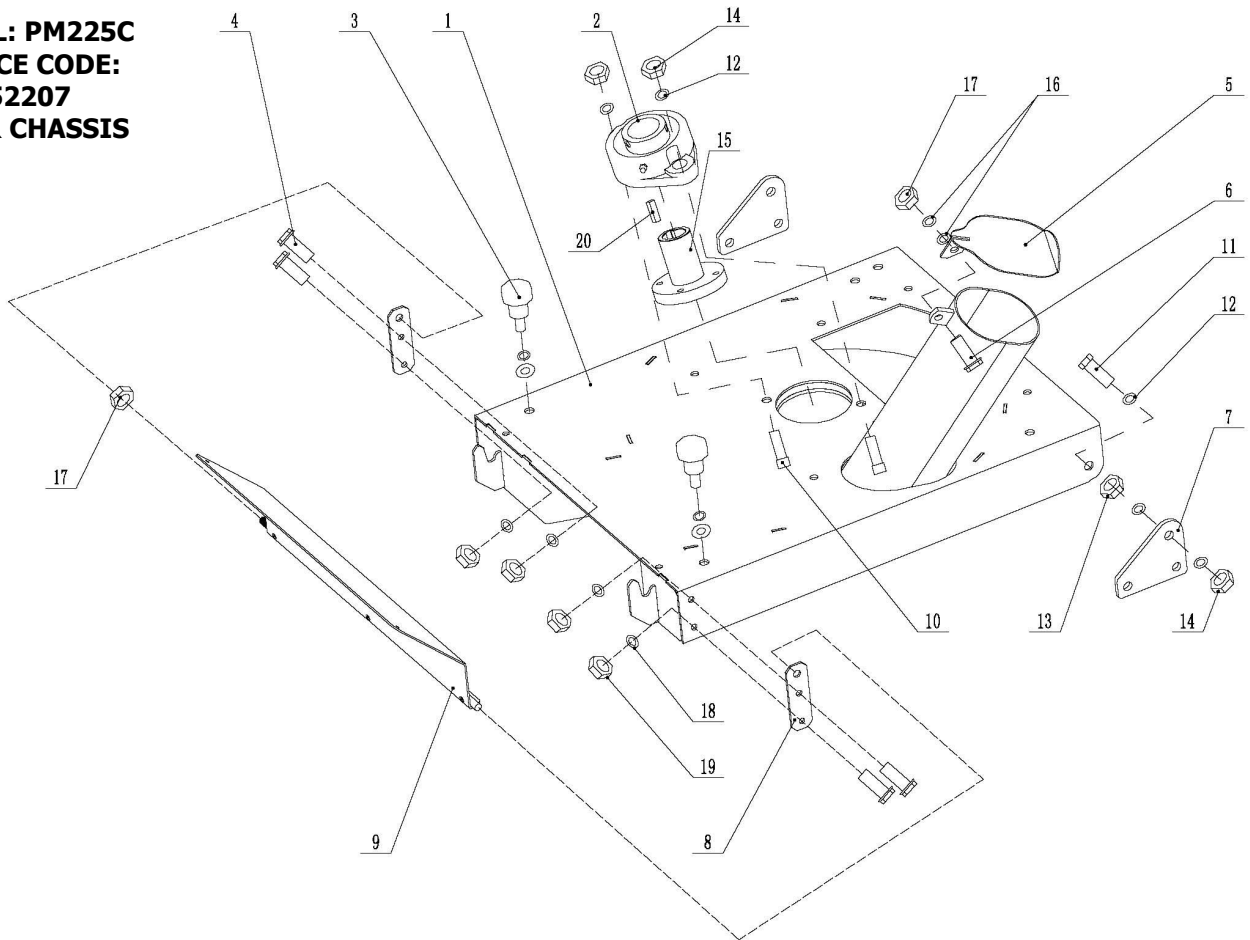


Recycle, Reduce, Revegetate



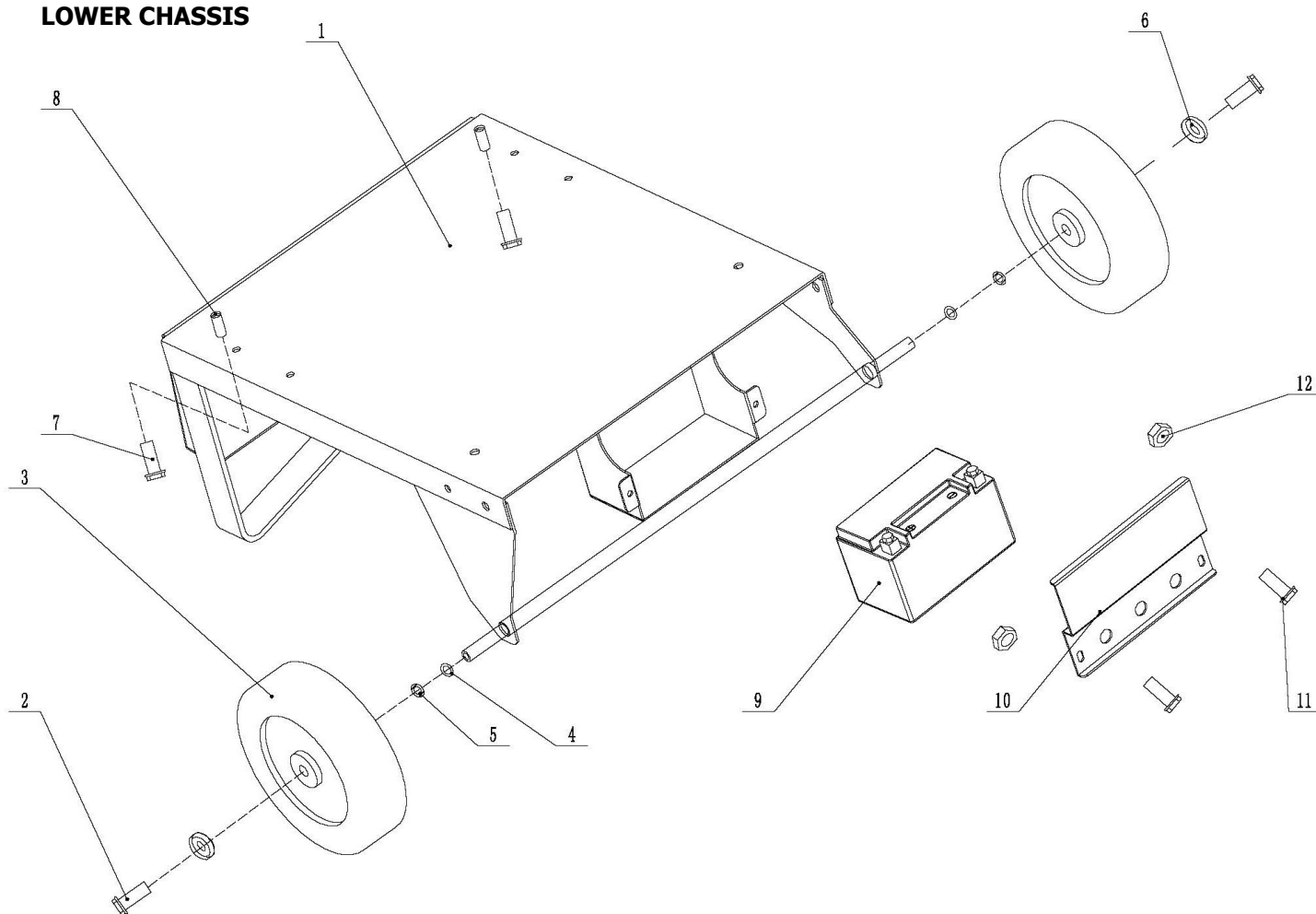
ITEM	PART NO.	DESCRIPTION	QTY
1	CZ0301008000	Flat Washer - M8	14
2	CZ0202008000	Lock Nut - M8	14
3	PM0101008016/10P9	Hexagon Bolts - M8*16	4
4	CZ0102010030/10P9	Hexagon Flange Bolts - M10*30	1
5	CZ0102008025	Hexagon Flange Bolts - M8*25	4
6	CZ0102008016	Hexagon Flange Bolts - M8*16	4
7	PM1101006040	Key	1
8	PM5310406010/04	Spring Washer	1
9	PM2402008000	Lock Washer	4
10	CZZ0101008020	Hexagon Bolts - M8*20	6
11	PM4CH021400	Protective Key	1
12	PM4CH021300/44	Protective Key Box	1

**MODEL: PM225C
SERVICE CODE:
PM2252207
UPPER CHASSIS**



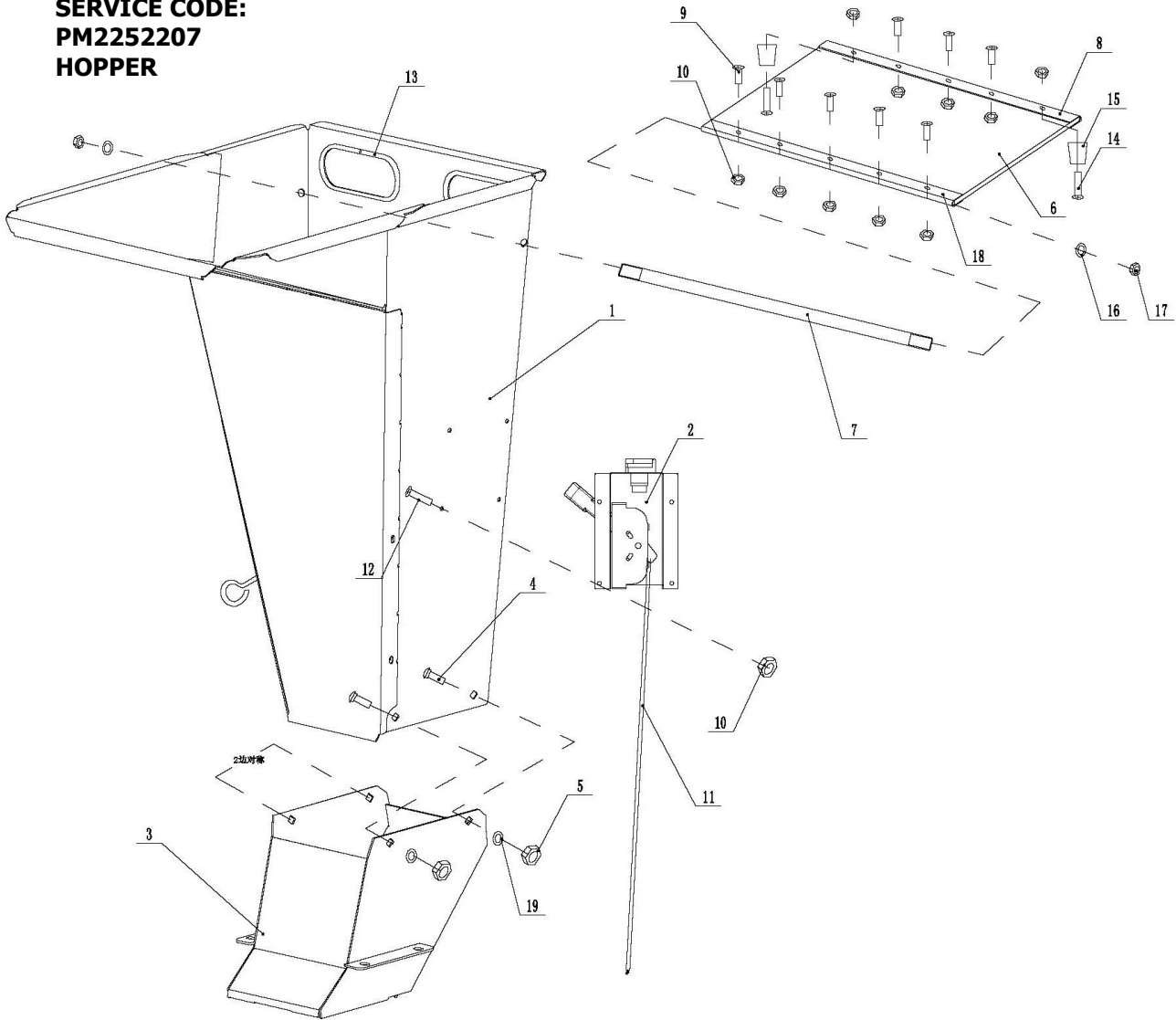
ITEM	PART NO.	DESCRIPTION	QTY
1	PM4CH010000/44	Upper Chassis Weldment	1
2	PMSALF207	Bearing	1
3	PM4SC1814010N	Hand Wheel	2
4	CZ0102006016	Hexagon Flange Bolts - M6*16	4
5	PM4CH011100/44	Baffle Of Side Inlet	1
6	CZ0102008020	Hexagon Flange Bolts - M8*20	1
7	PM4CH011400/44	Connecting Plate	2
8	PM4CH011300/44	Rear Baffle Connecting Plate	2
9	PM4CH011200/44	Baffle Of Outlet	1
10	CZ0103010030/10P9	Hexagon Socket Head Cap Screws - M10*30	2
11	CZ0101010035	Hexagon Bolts - M10*35	2
12	CZ0301010000	Flat Washer - M10	8
13	CZ0201010000	Hexagon Nut - M10	2
14	CZ0202010000	Lock Nut - M10	4
15	PM4CH030300/04	Blade Shaft	1
16	CZ0301008000	Flat Washer - M8	2
17	CZ0202008000	Lock Nut - M8	2
18	CZ0301006000	Flat Washer - M6	4
19	CZ0202006000	Lock Nut - M6	4
20	PM4CH011500	Key	1

MODEL: PM225C
SERVICE CODE:
PM2252207
LOWER CHASSIS



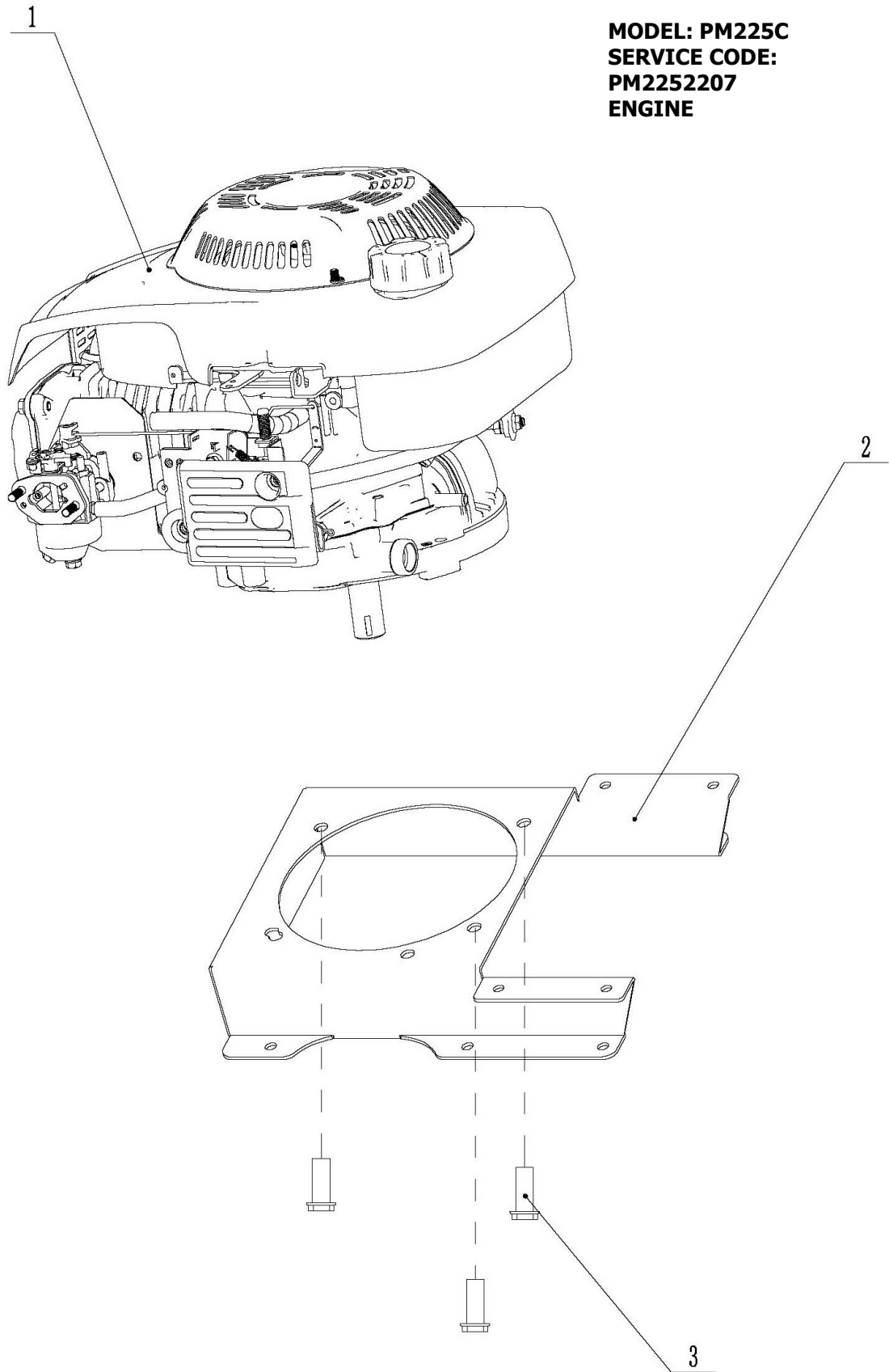
ITEM	PART NO.	DESCRIPTION	QTY
1	PM4CH020000B1/44	Lower Chassis	1
2	CZ0102008016	Hexagon Flange Bolts - M8*16	2
3	PM48R0210011A	Wheel	2
4	PM0301014000	Flat Washer - M14	2
5	PM5310211010/02	Wave Washer - M14	2
6	PM48R0210012	Dustproof Cover	2
7	CZ0102010020	Hexagon Flange Bolts - M10*20	2
8	PM4CH020700/02	Connecting Nut	2
9	PM4CH021200	Battery	1
10	PM4CH021100B1/44	Battery Press Plate	1
11	PM0102006012	Hexagon Flange Bolts - M6*12	2
12	CZ0202008000	Lock Nut - M8	2

MODEL: PM225C
SERVICE CODE:
PM2252207
HOPPER



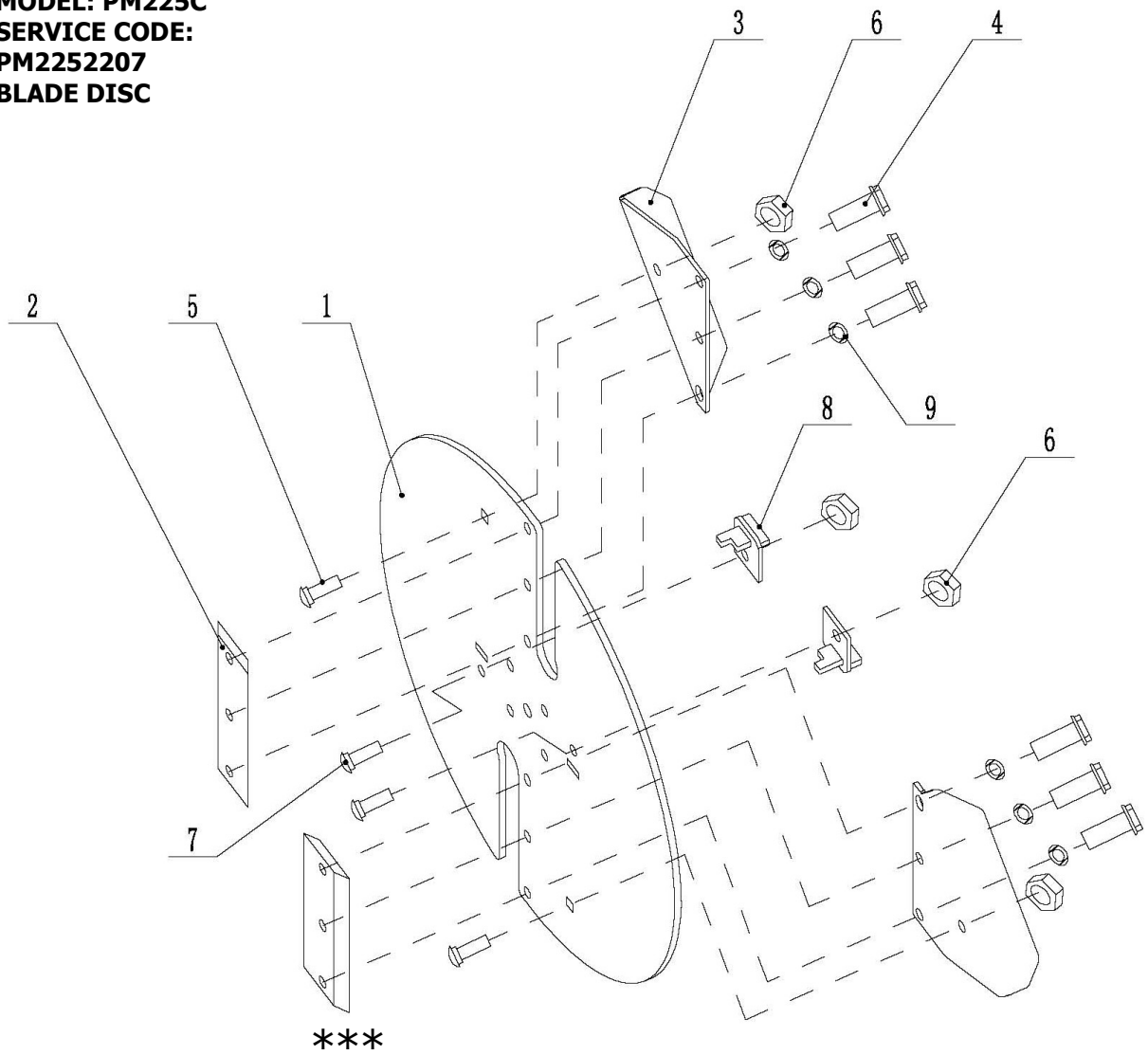
ITEM	PART NO.	DESCRIPTION	QTY
1	PM4CH040000/55	Upper Feeding Hopper	1
2	PM4CH040700/55	Throttle Frame Supporting Bracket	1
3	PM4CH050000A/44	Lower Feeding Hopper	1
4	PM0107008016	Cup Head Square Neck Bolts - M8*16	4
5	CZ0202008000	Lock Nut - M8	4
6	PM4CH040400	Rubber Baffle	1
7	PM4CH040500/02	Install Axis	1
8	PM4CH040600/22	Fixing Plate 1	1
9	PM0104005016	Pan Head Screws With Cross Recess - M5*16	8
10	PM0202005000	Lock Nut - M5	14
11	PMCH40B10020	Engine Throttle Cable	1
12	CZ0104005012	Pan Head Screws With Cross Recess - M5*12	4
13	PM4CH041000	Rubber Sealing Stripe	2
14	PM0104005025	Pan Head Screws With Cross Recess - M5*25	2
15	PM4CH041100	Rubber Shock Pad	2
16	CZ0301006000	Flat Washer - M6	2
17	CZ0202006000	Lock Nut - M6	2
18	PM4CH041200/02	Rubber Fender Fixing Plate 2	1
19	CZ0301008000	Lock Nut - M8	4

**MODEL: PM225C
 SERVICE CODE:
 PM2252207
 ENGINE**



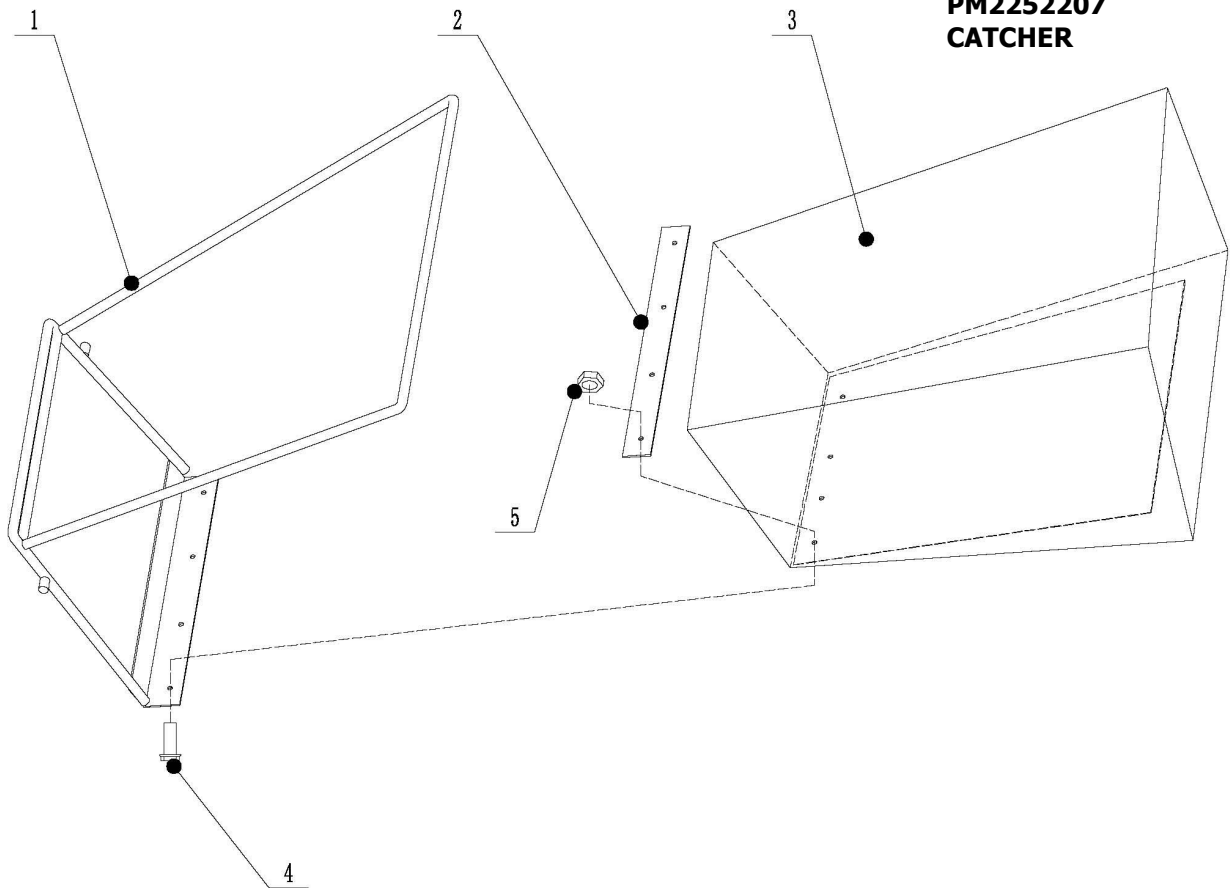
ITEM	PART NO.	DESCRIPTION	QTY
1	XP225	Engine	1
2	PM4CH011000/44	Engine Plate	1
3	PM0102008030	Hexagon Flange Bolts - M8*30	3

MODEL: PM225C
SERVICE CODE:
PM2252207
BLADE DISC



ITEM	PART NO.	DESCRIPTION	QTY
1	PM4CH030100/22	Blade Disc	1
2	KIT351	Blade & Bolt Set ***Sharpen Edge at 33° Angle	1
3	PM4CH030200/22	Deflecting Plate	2
4	SH0816M10.9	Screw	6
5	PM0107008015	Cup Head Square Neck Bolts - M8*15	2
6	CZ0202008000	Lock Nut - M8	4
7	CZZ0101008020A	Hexagon Bolts - M8*20	2
8	PM4CH030500/22	Limit Plate	2
9	WLC081312	Washer	6

MODEL: PM225C
SERVICE CODE:
PM2252207
CATCHER



ITEM	PART NO.	DESCRIPTION	QTY
1	PM4CH060000/22	Catcher Bag Frame	1
2	PM4CH060700/01	Gasket	1
3	PM4CH080000/81	Catcher Bag	1
4	CZ0104004012	Pan Head Screws With Cross Recess - M4*12	4
5	PM0202004000	Lock Nut - M4	4

MODEL: PM225C SERVICE CODE: PM2252207 DECALS

ITEM	PART NO.	DESCRIPTION	QTY
	DECPM225C	Decal Set PM225C	1
	DEC616	Decal Warning, Remove Battery Isolator Key	1