

# **COX** Professional Series

---



## **ILLUSTRATED PARTS LIST**

**FOR**

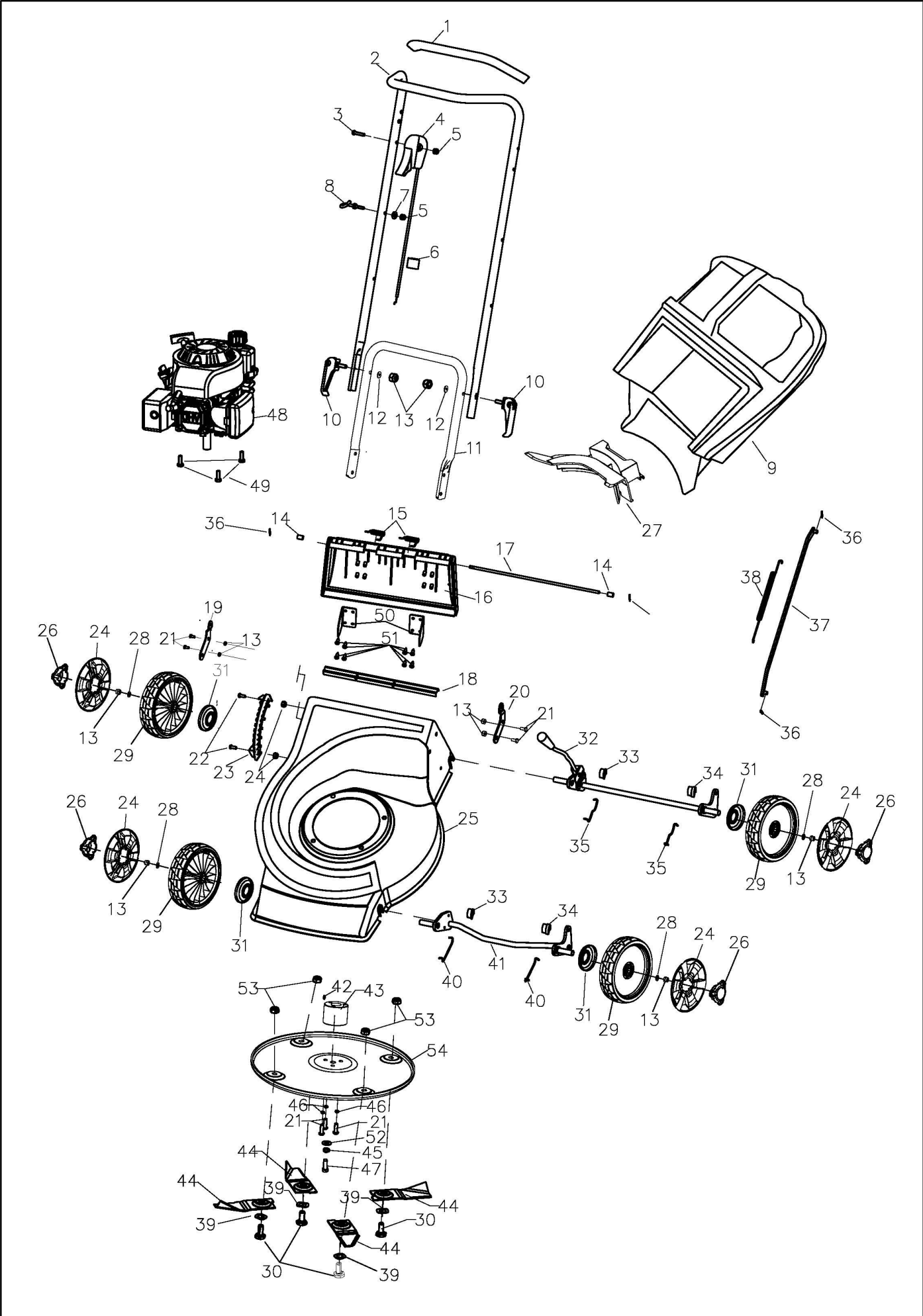
## **CP18S PROFESSIONAL 18" STEEL BASE PUSH MOWER**

**PROUDLY IMPORTED AND DISTRIBUTED BY:-**

**COX INDUSTRIES (AUST) PTY LTD**

**70 LANDSEER STREET, ACACIA RIDGE QLD 4110**

**[coxmotors.com.au](http://coxmotors.com.au) [sales@coxmotors.com.au](mailto:sales@coxmotors.com.au)**



## Parts List CP18S—18" Steel Base Pish

Item	Part No.	Description	Qty
2	CPP13001C03S01A	Upper Handle	1
4	CPP14060TBA102A	Throttle Cable	1
6	CPP14081T020000	Cable Clip	1
8	CPP13061C05Y010	Rope Guide	1
9	CPP35000C010000	Grass Catcher	1
10	CPP13031T000000	Cam Lock	2
11	CPP13011C01S010	Lower Handle	1
12	CPP13042T01D01A	Wave Washer	2
14	CPP34031C030000	Transparent Pipe	2
15	CPP34041C01D010	Spring, Rear Flap	2
16	CPP34011C080000	Rear Flap C	1
17	CPP34021T00D010	Axle, Rear Flap	1
18	CPP34061D030000	Seal, Rear Flap	1
19	CPP34073C03Y010	Support Plate, Right	1
20	CPP34072C03Y010	Support Plate, Left	1
23	CPP23041C01Y01A	Height Adjustment Plate	1
24	CPP20022T210000	8" Wheel Cover	4
26	CPP20021T20C050	Wheel Nut Cap	4
27	CPP34081C030000	Mulching Plug	1
29	CPP20010T800000	8" Wheel	4
30a	KITCP18S	Blade & Bolt Set	2
31	CPP21053T010000	Anti-dust Cap	4
32	CPP22300C370000	Rear Axle Assy	1
33	CPP21051C030000	Thin Sleeve	2
34	CPP21041C030000	Thick Sleeve	2
35	CPP22061C03D010	Spring W	2
37	CPP23010C05D010	Connecting Rod	1
38	CPP23021C03D010	Spring, Connecting Rod	1
40	CPP21061C03D010	Axle Clip	2
41	CPP21010C37S010	Front Axle Assy	1
42	CPP30051T01000A	Half-Circle Key	1
43	CPP30041C09Y01D	Adaptor	1
48		Engine	1
50	CPP34015C030000	Clip Plate	2
54	CPP31021T01Y010	Round Disc	1