

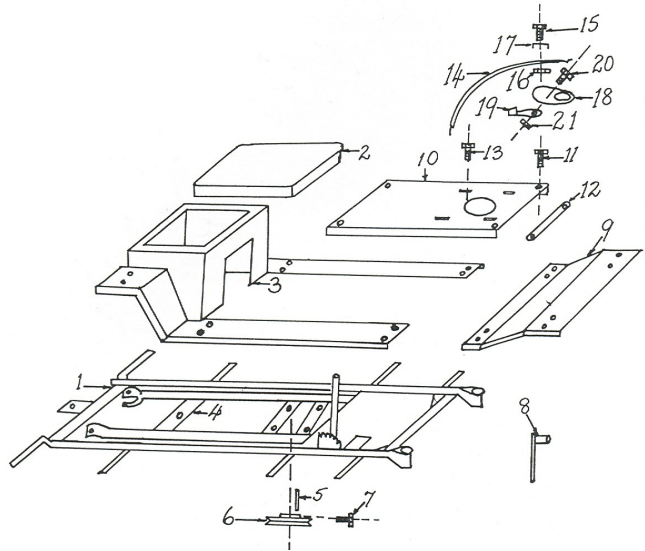


**MOW MOBILE
6-28 & 7-28
1963 – 1968**

6HP 26"& 28" CUT & 7HP 28" CUT

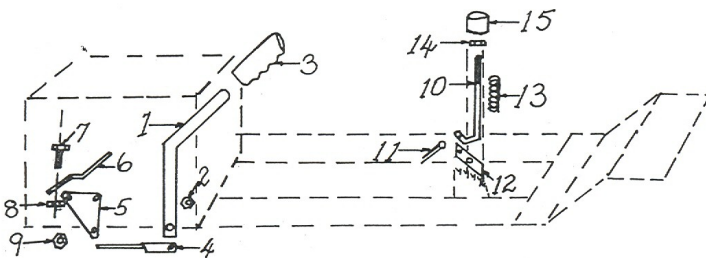
6-28/7-28 GROUP 11: CHASSIS & COMPONENTS

Ref No	Part No	Description
1	48	Main Frame w- Ht Adj Lever NLA
2	90	Seat NLA
3	89	Rear Body Panel Assy NLA
4	49	Engine Frame NLA
5	S152008B6	Engine Pulley Key NLA
	114	Engine Pulley Key Stepped NLA
6	3007	Engine Pulley NLA
7	SS0408W	Engine Pulley Set Screw NLA
8	AM005G0	Spark Plug Spanner
9	99	Front Guard NLA
10	82	Engine Tray NLA
11	B0412C	Mudguard and Body Bolt (16) NLA
12	502	Engine Mounting Bolt Plate (2) NLA
13	B0524C	Engine Mounting Bolt (4)
14	110	Throttle Cable NLA
15	B0412C	Throttle Cable Retaining Bolt
16	N04C	Throttle Cable Retaining Bolt Nut
17	AM087	Throttle Cable Clamp
18	108	Throttle Lever Mounting Plate NLA
19	109	Throttle Lever NLA
20	B0412C	Throttle Lever Bolt
21	N04C	Throttle Lever Nut



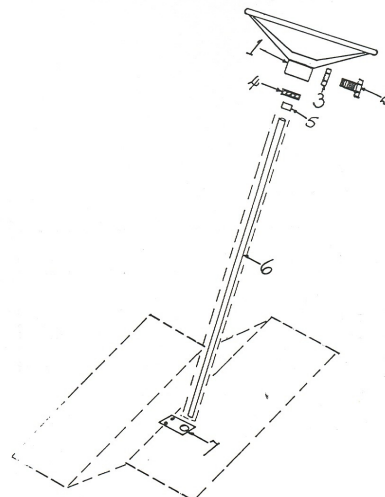
6-28/7-28 GROUP 12: RIGHT HAND SIDE OF CHASSIS

Ref No	Part No	Description
1	45	Clutch Lever NLA
2	N05CN	Clutch Lever Link Rod Nut
3	AM009	Hand Grip
4	40	Clutch Lever Link Arm NLA
5	AM008	Clutch Lever Pivot Plate NLA
6	38	Clutch Lever Link Arm NLA
7	B0516C	Clutch Lever Link Arm Bolt
8	N05C	Clutch Lever Link Arm Bolt Nut
9	N06CN	Pivot Pin Nyloc Nut
10	104	Height Adjustment Push Rod NLA
11	CP2-512	Push Rod Split Pin
12	3137	Height Adjustment Pawl NLA
13	AM012	Pawl Spring
14	N04C	Push Rod Lock Nut
15	654	Push Rod Button NLA



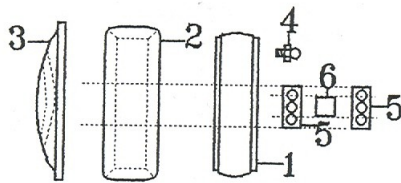
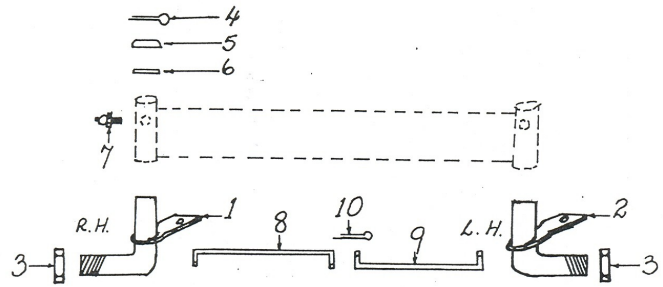
6-28/7-28 GROUP 13: STEERING COMPONENTS

Ref No	Part No	Description
1	75A	Steering Wheel NLA
2	SS0516W	Steering Wheel Set Screw (2)
3	N05C	Set Screw Lock Nut (2)
4	69	Str Column Bearing (2) NLA
5	77	Steering Shaft Spacer NLA
6	74	Steering Column Shaft NLA
7	78	Steering Shaft Pivot Plate NLA



6-28/7-28 GROUP 16: FRONT AXLE COMPONENTS

Ref No	Part No	Description
1	631	R/H Stub Axle NLA
2	630	L/H Stub Axle NLA
3	SNT12F	Stub Axle Nut (2)
4	CP3-225	Stub Axle Split Pin (2)
5	AM069	Stub Axle Cover (2)
6	61A	Stub Axle Felt (2) NLA
7	GNTF3	Grease Nipple (2)
8	72	Steering Tie Rod (Top) NLA
9	71	Steering Tie Rod (Bottom) NLA
10	CP3-220	Tie Rod Split Pin (2)

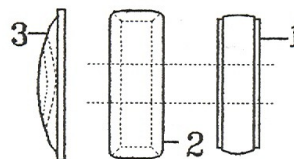


6-28/7-28 GROUP 17: FRONT WHEEL COMPONENTS

Ref No	Part No	Description
1	272	Wheel Hub (2) NLA
2	3120	Front Tyre (2) NLA
3	S151803B6	Hub Cap (2) NLA
4	GNTF3	Grease Nipple (2)
5	BB1226-I	Bearing (4) NLA
6	AM021	Bearing Spacer (2)

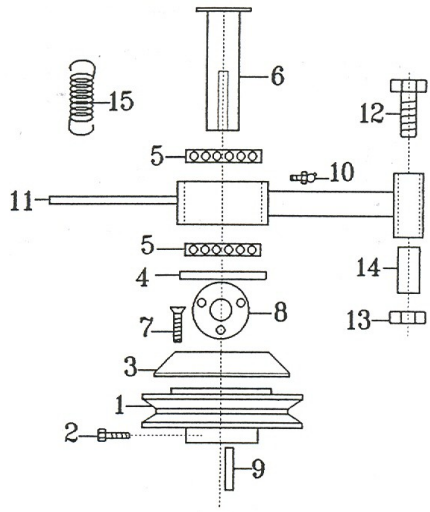
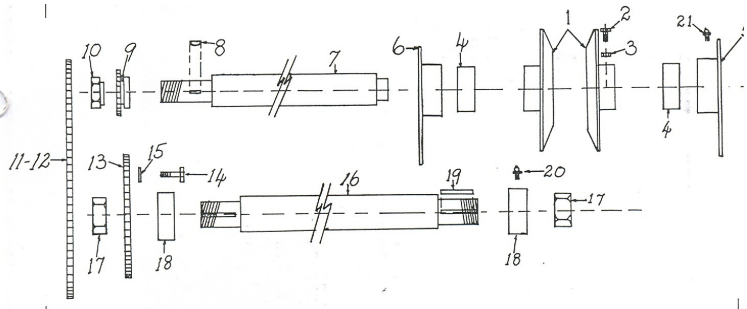
6-28/7-28 GROUP 18: REAR WHEEL COMPONENTS

Ref No	Part No	Description
1	611	L/H Wheel Hub NLA
	612	R/H Wheel Hub NLA
2	S151802B6	Rear Tyre (2) NLA
3	S151803B6	Hub Cap (2) NLA



6-28/7-28 GROUP 19: DRIVE COMPONENTS

Ref No	Part No	Description
1	021903	Clutch Plate (2) NLA
2	SS0612W	Clutch Plate Set Screw (4)
3	N06C	Clutch Plate Set Screw Lock Nut (4)
4	BB205215NS	Intershaft Bearing 20mm (2)
5	17	R/H Bearing Housing Intershaft NLA
6	18	L/H Bearing Housing Intershaft NLA
7	20A	Intershaft 20mm NLA
	20	Intershaft 3/4" NLA
8	SK03	Small Sprocket Key
9	23	Small Sprocket NLA
10	SAM022	Intershaft Sprocket Nut
11	24	Chain incl Link NLA
12	601	Connecting Link NLA
13	25	Large Sprocket NLA
14	B0516C	Large Sprocket Bolt (3)
15	W05S	S/p Washer (3)
16	616	Rear Axle NLA
17	SNT12F	Axle Nut (2) NLA
18	BB1226-I	Axle Bearing (2) NLA
19	30	Axle Key (2) NLA
20	GNTF3	Grease Nipple (2)
21	GNTFA7	Intershaft Bearing Grease Nipple (2) NLA



6-28/7-28 GROUP 20: CLUTCH ARM & COMPONENTS

Ref No	Part No	Description
1	1	Clutch Pulley NLA
2	SH0512C	Clutch Pulley Set Screw NLA
3	3081A	Clutch Cone NLA
4	3	Clutch Shaft Seal NLA
5	BB1226-I	Clutch Shaft Bearing (2) NLA
6	5	Clutch Shaft NLA
7	SC0432W	Clutch Cone Screw (3) NLA
8	7	Clutch Cone Top Plate NLA
9	8	Clutch Pulley Key NLA
10	GNTF8	Clutch Arm Grease Nipple NLA
11	10	Clutch Arm NLA
12	B0640C	Clutch Arm Pivot Bolt
13	N06CN	Clutch Arm Pivot Bolt Nut
14	091203	Clutch Arm Pivot Bush NLA
15	S152002B6	Clutch Spring NLA

6-28/7-28 GROUP 21: CUTTER HOUSING COMPONENTS

Ref No	Part No	Description
1	88	Stone Guard (2) NLA
2	022107	Cutter Disc (26" Cut) NLA
	526	Cutter Disc (28" Cut) NLA
3	SMB150S	Blade Stepped (2)
4	SKIT01D1	Blade Bolt & Nut Set
5	95	Bottom Tray NLA
6	VA46	Belt NLA
7	SH0720F	Disc Retaining Bolt
8	W07S	Disc Retaining Bolt S/p Washer

