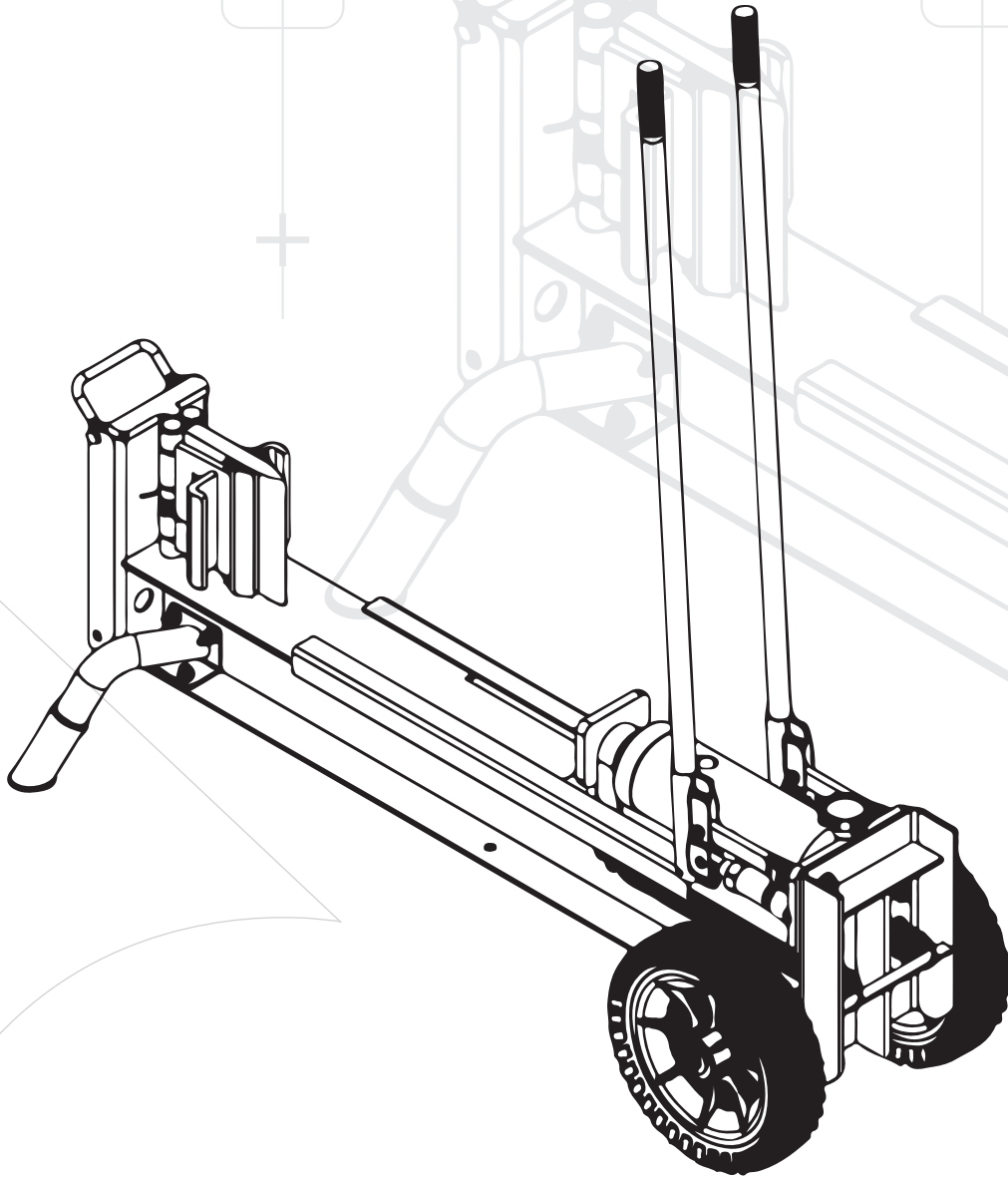


2010
2011
2012
2013
2014
2015
2016
2017
2018
2019
2020
2021
2020
2019
2018
2017
2016
2015
2014
2013
2012
2011
2010

COX

Log Splitter

12T



	 WARNING
	<p>Read this manual. Serious injury or death can result if safety instructions are not followed.</p>

Owner's Manual

Table of Contents

General Warnings and Rules	3
Hazard Signal Word Definitions.....	4
Controls and Features Identification.....	5
Assembly Instructions	6,7
Operation Instructions	8,9
Maintenance and Storage	10
Specification.....	10
Parts Drawing & Parts List	11,12



GENERAL WARNINGS



READ and UNDERSTAND this manual completely before using 12 Ton Log Splitter.

Operator must read and understand all safety and warning information before operating this equipment. Failure to properly operate and maintain the log splitter could result in serious injury to the operator or bystanders.

Operation Warnings

- Do not at any time carry passengers, sit or stand on the log splitter.
- Do not allow children to play on, stand upon or climb on the log splitter.
- Always inspect the log splitter before using to assure it is in good working condition.
- Replace or repair damaged or worn parts immediately.
- Always use the splitter on a flat and level surface.
- Always check and tighten hardware and assembled parts before operation.
- Only use the log splitter for its intended purpose, splitting logs.
- Do not exceed log length of 18 inches or the diameter of 8 inches.
- Always split wood in the grain direction. Do not split wood against the grain.
- Do not exceed equipment maximum load capacity of 12 tons.
- Never leave the log splitter unattended while operating the equipment.
- Keep area around the log splitter clear of debris to prevent injury.
- Always clear away wood pieces from work area before splitting another log.
- The log splitter can be towed with any motorized vehicle, lawn /garden tractors or ATVs.
- Do not exceed the towing speed of 5MPH.

Crush and Cut Hazards

- Always keep hands and feet clear from moving and cutting parts while operating the equipment.
- Always clear and keep work area clean and free of debris when operating.
- Always wear safety gear, eye protection, gloves and work boots when operating the log splitter.






WARNING

The warnings, cautions, and instructions outlined in this instruction manual cannot cover all possible conditions or situations that may occur. It must be understood by the operator that common sense and caution are factors which cannot be built into this product and must be supplied by the operator.

Assembly Is Required

This product requires assembly before use. See "Assembly" section for instructions. Because of the weight and/or size of the log splitter, it is recommended that another adult be present to assist with the assembly. **INSPECT ALL COMPONENTS** closely upon receipt to make sure no components are missing or damaged.

Hazard Signal Word Definitions

	<p>This is the safety alert symbol. It is used to alert you to potential personal injury hazards. Obey all safety messages that follow this symbol to avoid possible injury or death.</p>
	<p>DANGER indicates an imminently hazardous situation which, if not avoided, will result in death or serious injury.</p>
	<p>WARNING indicates a potentially hazardous situation which, if not avoided, could result in death or serious injury.</p>
	<p>CAUTION indicates a potentially hazardous situation which, if not avoided, may result in minor or moderate injury.</p>
	<p>CAUTION used without the safety alert symbol indicates a potentially hazardous situation which, if not avoided, may result in property damage.</p>

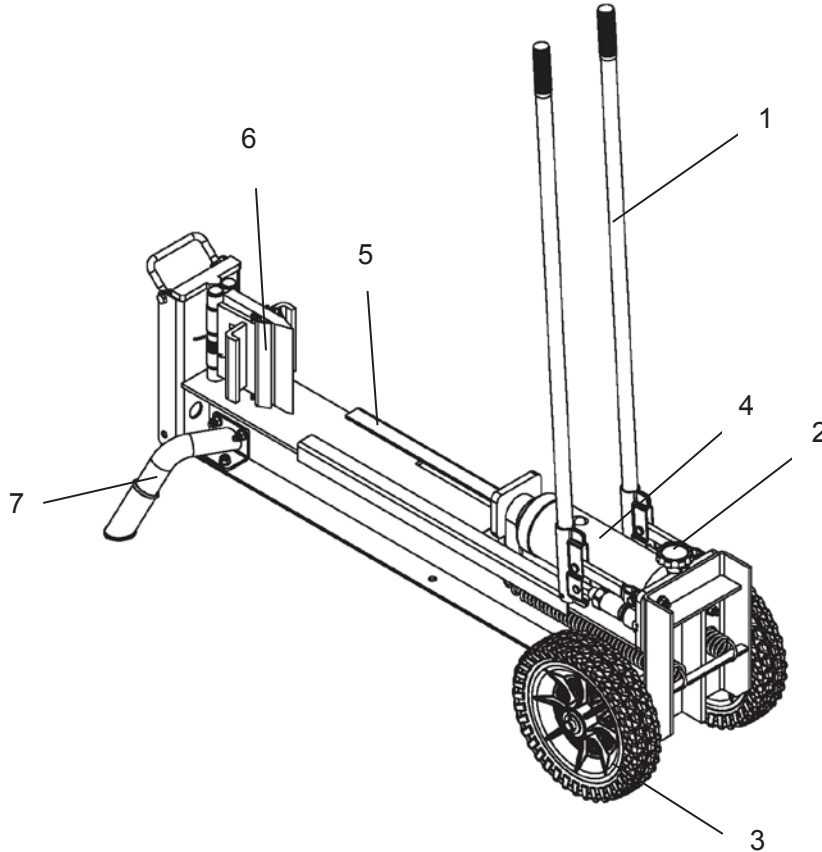
ABOUT YOUR 12 TON MANUAL LOG SPLITTER

This 12ton hydraulic log splitter is made of heavy duty steel and is designed to split some of the most difficult logs from Oak, Elm, Walnut and Cherry to name a few. With only a few pumps, this powerful log splitter makes a difficult job easy. It is portable, lightweight and can be operated both indoors/outdoors. Never exceed the rated load capacity of 12 tons when operating the log splitter as it may damage the log splitter.

Technical specifications on the log splitter are provided in the “Specifications” section of this manual.

Controls and Features Identification

Read this owner's manual before operating the equipment. Familiarize yourself with the location and function of the controls and features. Save this manual for future reference.



- 1) **Operating Handles** – Move handles back and forth to move the ram forward.
- 2) **Hand Wheel** – Turn knob to retract ram.
- 3) **Pneumatic Tyre** – Do not exceed the maximum towing speed of 5MPH
- 4) **Hydraulic Pump** – Do not exceed rated capacity of 12Tons.
- 5) **Log Cradle** – Holds log in place during splitting.
- 6) **Splitting Wedge** – Splits wooden log.
- 7) **Support Leg** – Use to maneuver the log splitter.



CAUTION

Read and follow all instructions for assembly and operation. Failure to properly assemble this equipment could result in serious injury to the user or bystanders or cause equipment damage.

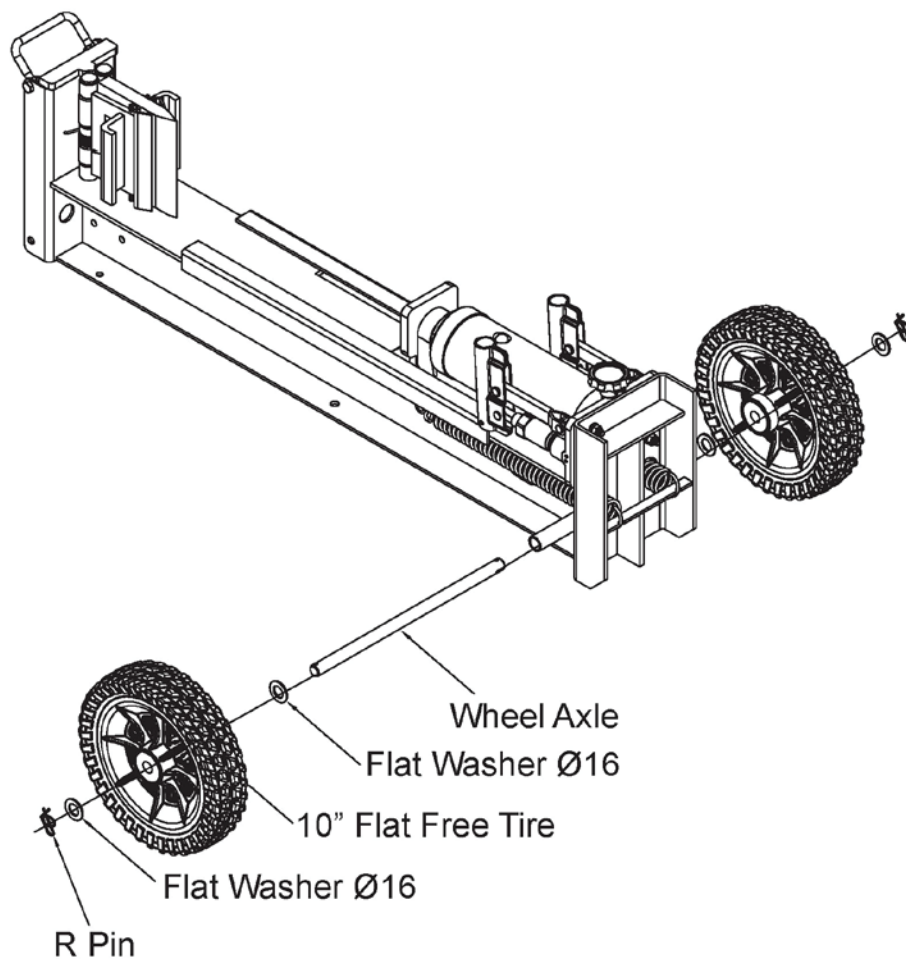
12 TON HYDRAULIC LOG SPLITTER ASSEMBLY

Take all parts out of the shipping crate and inspect components to ensure there are no missing pieces before starting to assemble the log splitter.

Assembly Instructions

STEP 1: Attach Wheels to the Beam

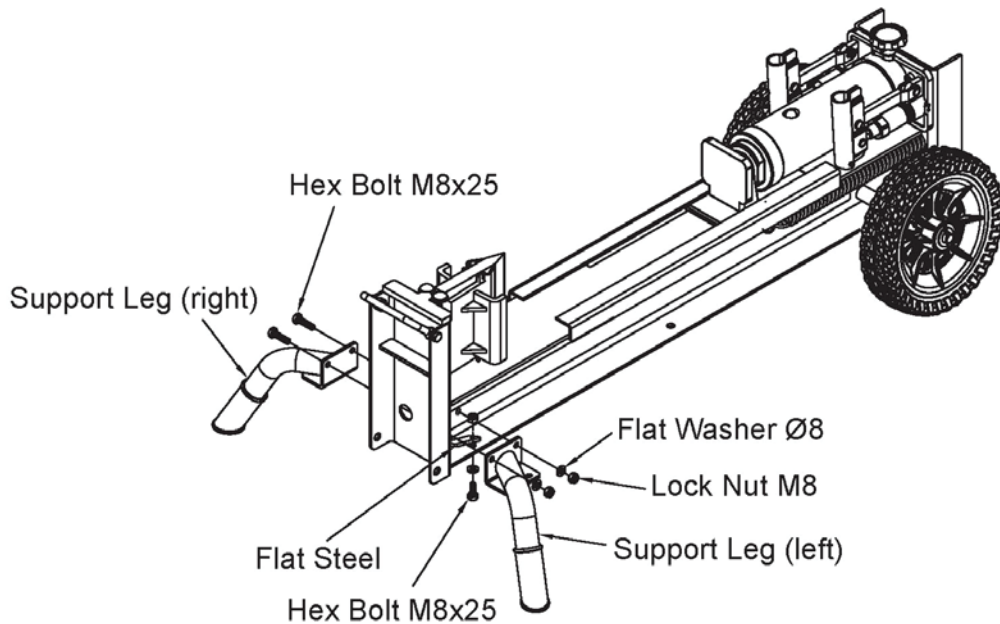
1. Insert the Wheel Axle to the beam, fix the flat free tyre to the wheel axle, secure with two flat washers $\text{\O}16$ and R pin. Fix the other side too.



Assembly Instructions

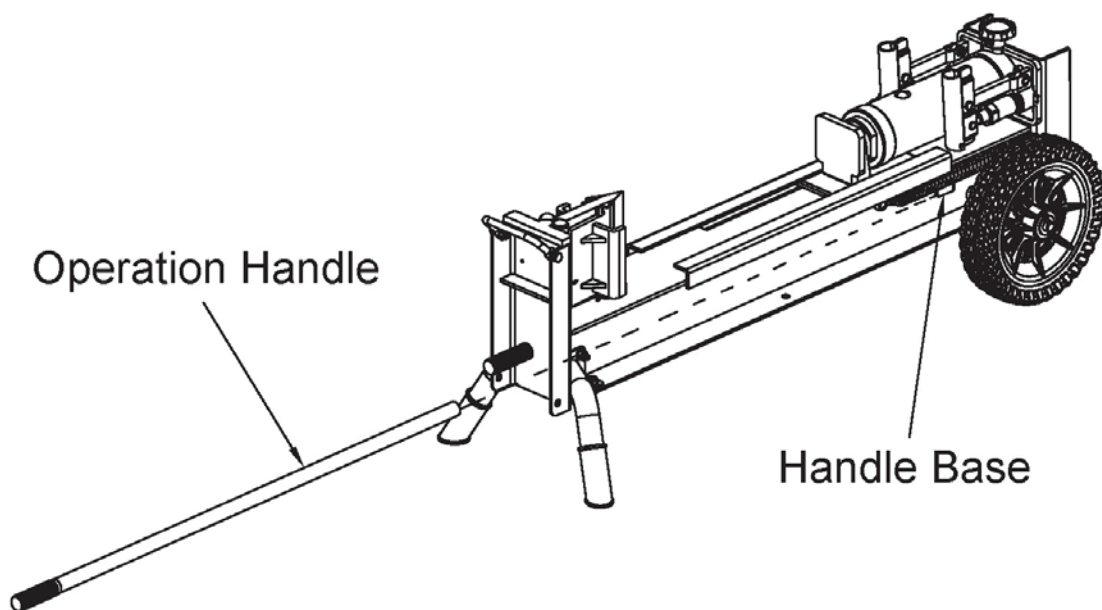
STEP 2: Attach the Support Leg

1. Fix the right and left support leg to the front of the beam by using two sets of hex bolts M8x25 flat washer Ø8 and lock nuts M8.
2. Secure both the support leg with two sets of hex bolts M8x25, flat washers Ø8, flat steel and lock nuts M8.



STEP 3: Operation Handle

1. Put the operation handle to handle base on both sides of beam when in towing position.



Operation Instructions

WARNING

Before using the log splitter, review the instructions below and all safety information. Failure to follow these instructions may result in property damage or injury to the operator or bystanders.

SPLITTING OPERATION / ADDITIONAL SAFETY INSTRUCTIONS

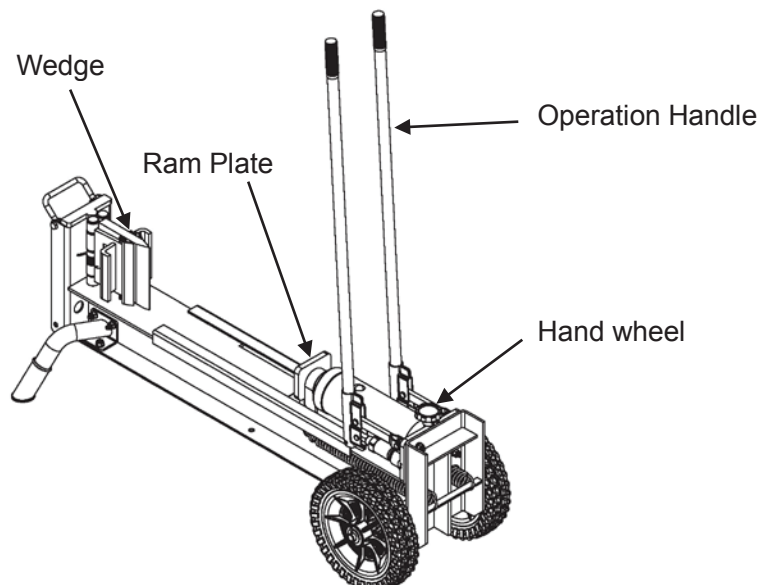
1. When loading or positioning a log always use the bark side, never the ends. Never place your hands or body parts between the log and the splitter.
2. Never load or unload logs while the ram is moving.
3. Do not pile logs to be split in a place where you need to reach across the splitter in order to load them.
4. Log ends need to be cut square so they do not slide out while splitting and cause a safety hazard or excessive force to the log splitter components. Use a chainsaw (not included) to cut the logs ends square before attempting to split them.
5. Never attempt to split more than one log at a time. A piece of log can unexpectedly be thrown from the machine, causing personal injury.
6. Do not use if there is any indication of damage to the hydraulic cylinder.
7. Do not use the splitter to split logs across the grain. Doing so will damage the log splitter and could cause log pieces to be thrown, injuring the operator or bystanders.

WARNING

Accidents occur when there is more than one person involved in loading and operating the log splitter. Only one person should operate the splitter, if a second person is assisting in loading the splitter, NEVER allow an assistant to hold the log in place while the operator is using the working handles.

USING YOUR 12TON LOG SPLITTER

1. Grip one handle in each hand and pump the handles in a back and forth stroke motion. This action will force the log against the wedge.
2. Remove the split pieces .
3. Turn the hand wheel counterclockwise, no more than one full turn to retract the ram.
4. Turn the hand wheel clockwise unit it is snug.
5. When finished splitting turn the hand wheel counterclockwise one turn to relieve the pressure.



Operation Instructions



WARNING

NEVER attempt to remove a stuck log from the splitter. If there is a stuck log never do the following: Using the hydraulic force of the log splitter to split the log, never modify the log splitter or add attachment to the log splitter.

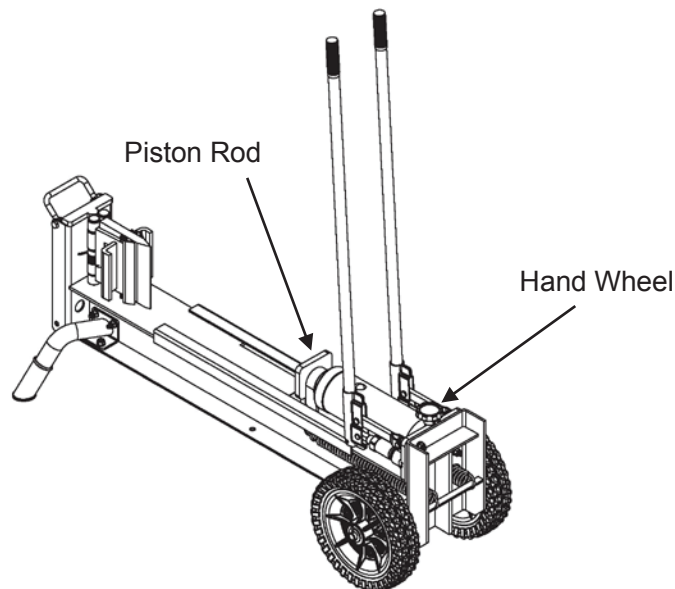
HOW TO REMOVE A STUCK LOG

If a log gets stuck on the wedge base or the wedge becomes embedded in the log and will not completely split and separate the log, follow the directions below to remove the log:

1. Fully retract the ram.
2. Remove the stuck log from the wedge manually with a pry bar.
3. IMPORTANT: Be extremely careful as log pieces may fly off as they separate from the wedge.
4. Do not attempt to re-split a stuck log once it has been removed from the wedge.
5. Manually split the log with a maul or cut it with a chainsaw.

HOW TO BLEED THE LOG SPLITTER

1. Extend the ram to its maximum length.
2. Remove the Oil Plug.
3. Turn the hand wheel counterclockwise as fast as possible. The piston rod will retract into the hydraulic pump and push the air out of the cylinder via the oil plug hole.
4. Add oil and make sure the oil level is full. If needed add more hydraulic oil to the hydraulic pump.



5. Check the oil level again and if needed add more hydraulic oil.
6. Replace the oil plug and repeat steps 1-5 as needed.
7. To add oil, remove the oil plug and add oil to just below the fill plug.
8. Then replace the oil plug.

Maintenance and Storage



WARNING

Improper maintenance and storage of the log splitter may void your warranty.



WARNING

Periodically apply a light coat of rust resistant oil to the springs to keep them in good working order.

MAINTENANCE

- Periodically check all fasteners for tightness.
- Annually clean and lightly lubricate parts.
- Use a glossy enamel spray paint to touch up scratched or worn painted metal surfaces.
- Never exceed load capacity rating of 12 tons it will damage the log splitter.

IMPORTANT:

If a part needs replacement, only use parts that meet the manufacturer's specifications. Replacement parts that do not meet specifications may result in a safety hazard or poor operation.

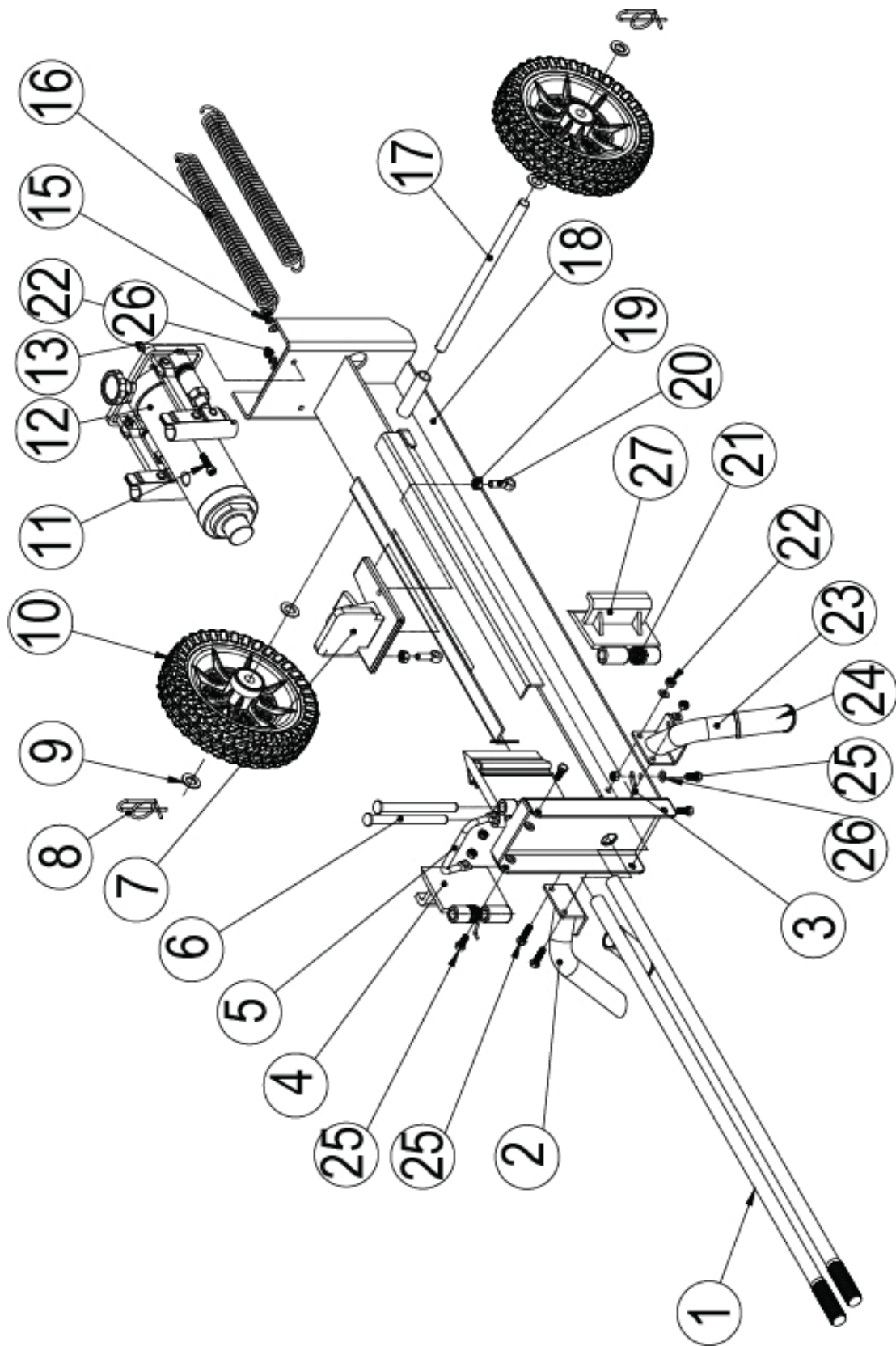
STORAGE

- Before storing make sure the log splitter is clean and dry for years of trouble-free service.
- The hydraulic pump needs to be in the released position before storing.
- Lightly lubricate all metal surfaces before storing.
- Store indoors or protected area during severe weather and winter months.

Specifications

Load Capacity	12 Ton
Material	Steel
Max. Log Length	18 inches
Max. Log Diameter	8 inches

Parts Drawing & Parts List



Parts Drawing & Parts List

Ref#	Drawing No.	Description	Qty
1	MS10-30022	Operation Handle	2
2	MS12-06000	Support Leg (right)	1
3	MS12-00010	Flat Steel	2
4	MS12-03000	Tension Plate	1
5	MS12-00007	Handle	1
6	MS12-00001	Hinge Pin	2
7	MS12-05000	Ram Plate	1
8	N57F-00007	R Pin	2
9	9301-16000-DX	Flat Washer Ø16	4
10	MS12A-00001	10-2.75 Flat Free Tire	2
11	9105-08030	Screw M8x30	2
12	MS12-01000	Ram	1
13	N020-00008-DX	Spacer	2
14	9306-08000	Lock Washer Ø8	2
15	MS12-00009	Tension Spring	2
16	MS12A-00002	Wheel Axle	1
17	MS12A-01000	Beam	1
18	9206-01000	Nylon Lock Nut M10	2
19	9119-10040	Eyelet Bolt M10x40	2
20	MS12-00002	Torsional spring	2
21	9206-08000-DX	Nylon Lock Nut M8	8
22	MS12-04000	Support Leg (left)	1
23	MS12-00005	Foot strap	2
24	9101-08025-DX8.8	Hex Bolt M8x25	6
25	9301-08000-DX	Flat Washer Ø8	8
26	MS12-03100	Tension Plate 2	1
27	MS10-30022	Operation Handle	2