



SPARE PARTS MANUAL

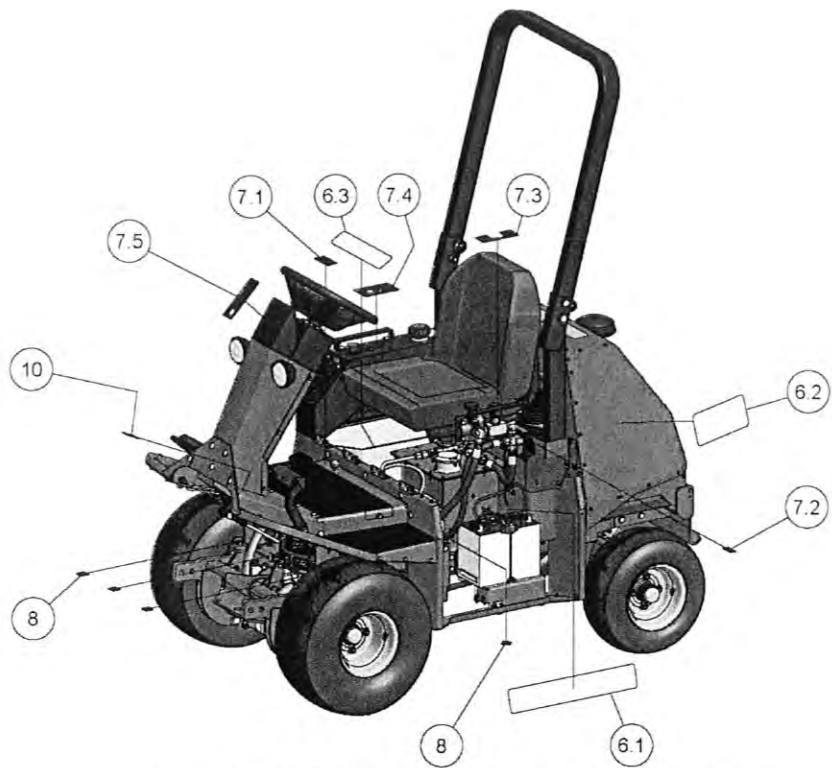
FOR

CR8400 Cox Conquest Tractor 18.4kw (25HP)

**CR8401 Cox Conquest Tractor 18.4kw (25HP) with
1475mm (58") Mowing Attachment**

C8601 Cox Conquest 1475 mm (58") Mowing Attachment

**C8701 Cox Conquest 2 Post Fold Down Roll Over Protection Structure
Accessory**



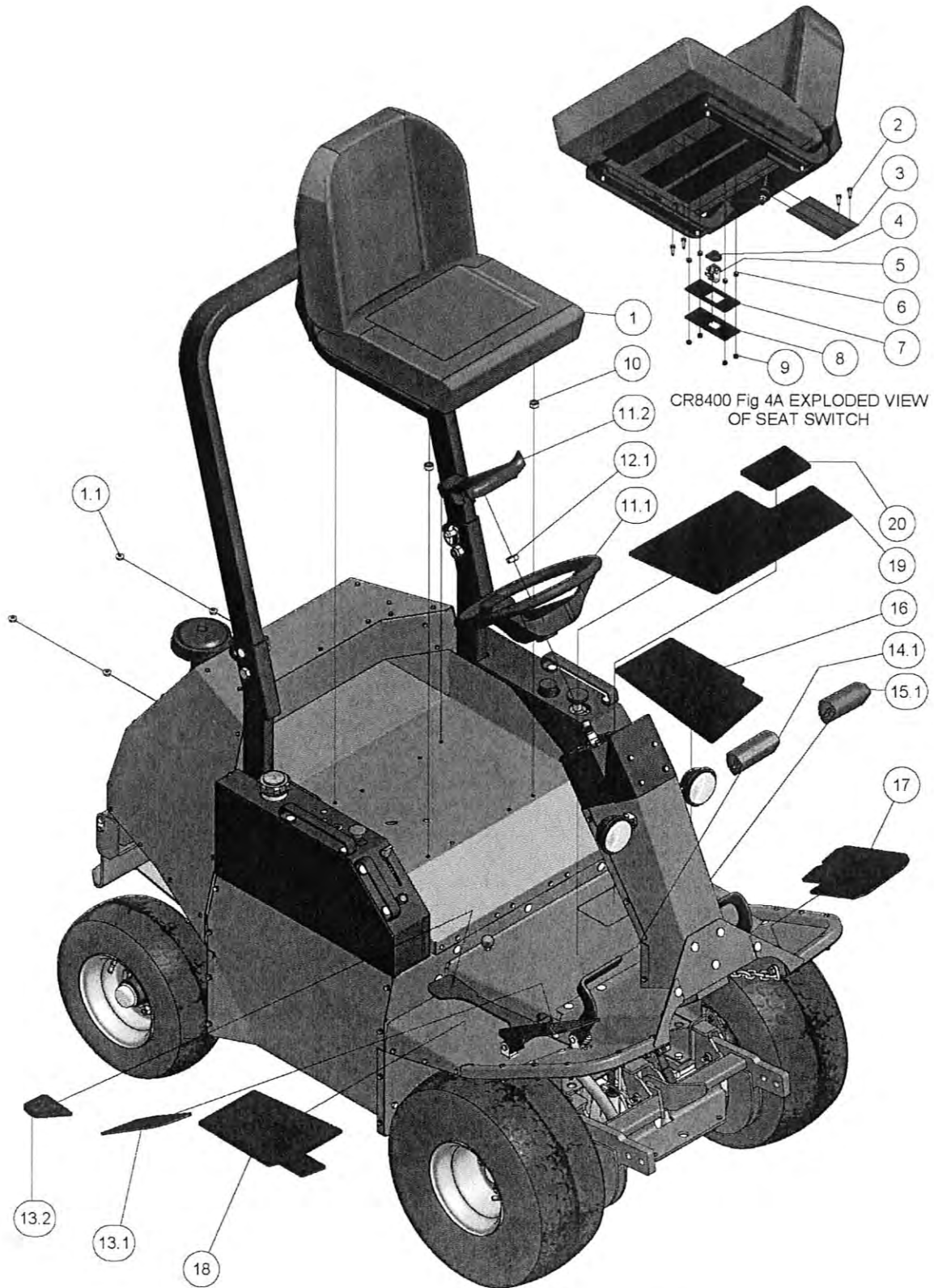
CR8400 Fig 2 EXPLODED LEFT FRONT VIEW OF TRACTOR DECALS
(INCLUDES OPTIONAL R.O.P.S.)



CR8400 Fig 3 EXPLODED RIGHT REAR VIEW OF TRACTOR DECALS
(INCLUDES OPTIONAL R.O.P.S.)

CR8400 CR8401—TRACTOR DECALS

ITEM	PART NUMBER	DESCRIPTION	QTY
1	DEC085	Decal,Warning,Gasoline	1
2	DEC128	Decal,Depress To Start	1
3	DEC135	Decal,Caution,Hot Muffler	1
4	DEC136	Decal,Drive Pedal	1
5	DEC143	Decal,Set,Conquest,25 Hp,Cox	2
6		Decal,Conquest 25 Hp	2
6.1		Decal,Cox	2
6.2		Decal,Conquest By Cox	2
6.3	DEC145	Decal,Set,Conquest,Tractor	1
7		Decal,Park Brake	1
7.1		Decal,Fuse	1
7.2		Decal,Control,Attachment Lift	1
7.3		Decal,Control,Ignition & Lights	1
7.4		Decal,Control,Engine Speed & Choke	1
7.5	DEC146	Decal,Lubrication Point,Grease	7
8	DEC149	Decal,Conquest,Safe Operation	1
9	DEC150	Decal,Control,Differential Lock	1
10	DEC124	Decal,Brake	1

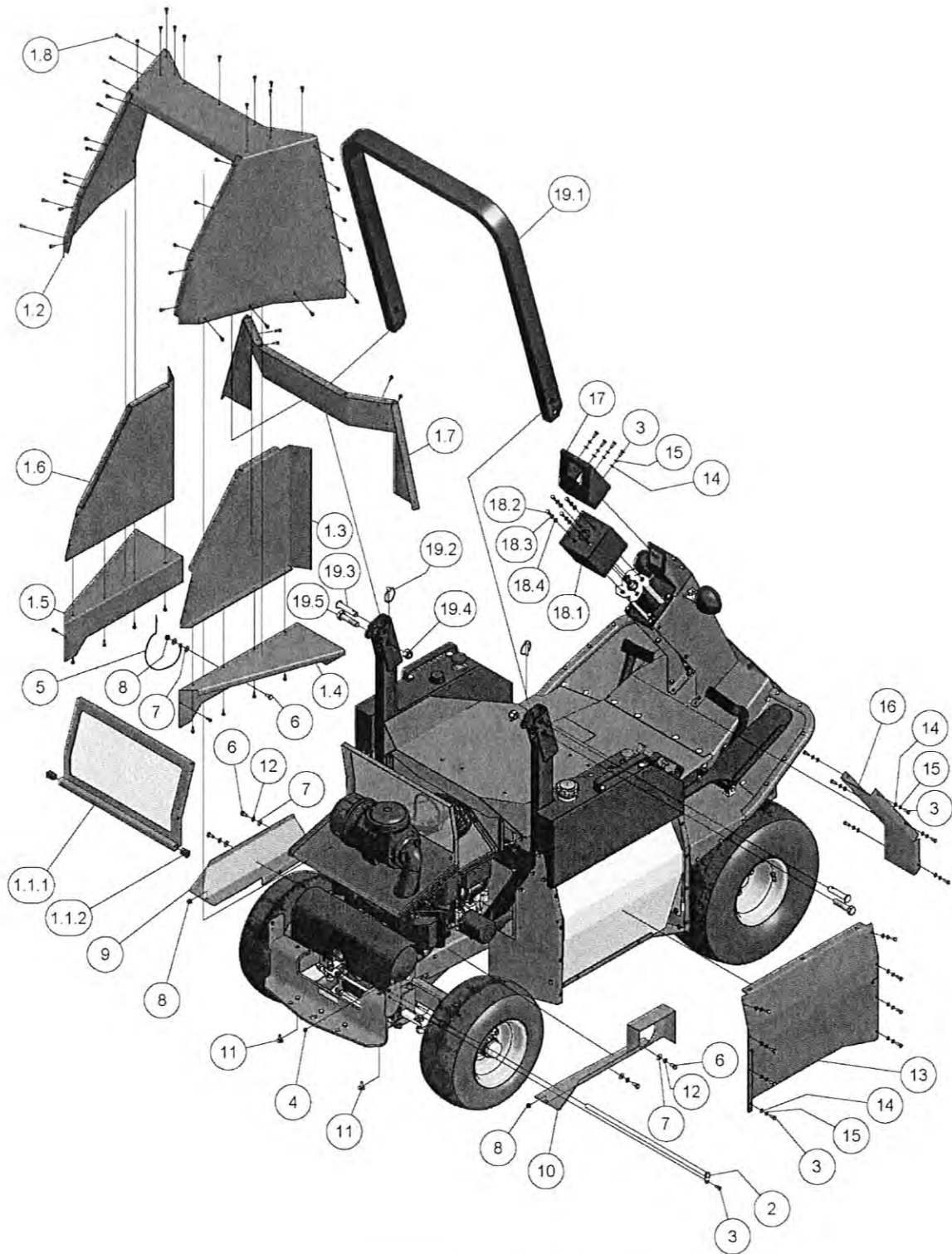


CR8400 Fig 4A EXPLODED VIEW OF SEAT SWITCH

CR8400 Fig 4 EXPLODED VIEW OF OPERATOR CONTROL SURFACES (INCLUDES OPTIONAL R.O.P.S.)

CR8400 CR8401—OPERATOR CONTROL SURFACES

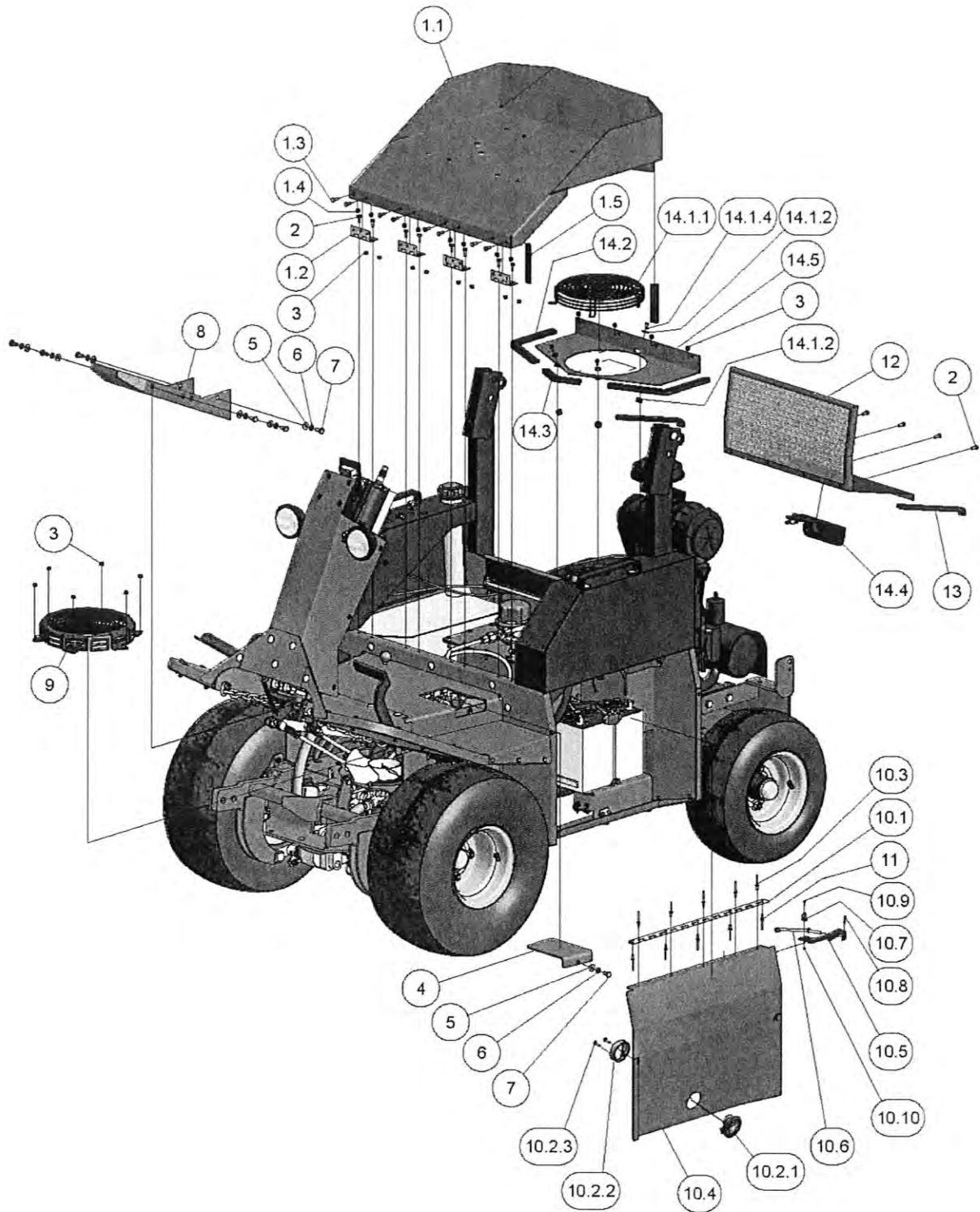
ITEM	PART NUMBER	DESCRIPTION	QTY
1	84250	Seat, Large, Inc Suspension, Modified	1
1.1	NFM8	Nut	4
2	SH0620M	Screw	4
3	84248	Pad, Activate, Switch, Seat	1
4	CSPIPSM	Cover, Switch, Plunger, 1 Pole, Sn	1
5	SP1PNC5M	Switch, Plunger, 1 Pole, Nc, Snap Mount	1
6	NHM6	Nut	4
7	84247	Plate, Spacer, Seat Switch, Black	1
8	84246	Plate, Mount, Seat Switch, Black	1
9	NM6NT	Nut	4
10	84032	Spacer	2
11	84006	Wheel, Steer, Hub, Inc Cover	1
11.1		Body, Wheel, Steer, 3 Spoke, 14", #3 Hub	1
11.2	84366	Cover, Wheel, Steer, 3 Spoke, 14"	1
12	84005	Unit, Steer, Hydro, Danfoss, Opsm63pb, Type B	1
12.1	N10FT	Nut	1
13	84162	Sub-Assy, Pedal, Drive, Black	1
13.1	84163	Pad, Drive Pedal, Toe	1
13.2	84165	Pad, Drive Pedal, Heel	1
14	84170	Sub-Assy, Pedal, Brake, Black	1
14.1	13028	Pad, Pedal	1
15	84171	Sub-Assy, Pedal, Diff Lock, Black	1
15.1	13028	Pad, Pedal	1
16	84182	Mat, Step, Left	1
17	84181	Mat, Footrest, Left	1
18	84183	Mat, Step, Right	1
19	84185	Mat, Foot, Platform	1
20	84164	Mat, Foot, Service Hatch	1



CR8400 Fig 5 EXPLODED VIEW OF
 ENGINE COWLING , SPLASH GUARDS , RIGHT SIDE COVER PANEL & STEERING CONSOLE COVERS
 (INCLUDES OPTIONAL R.O.P.S. WITH EXPLODED VIEW OF UPPER BEND)

CR8400 CR8401—ENGINE COWLING, SPLASH GUARDS, RIGHT SIDE COVER PANEL & STEERING CONSOLE COVERS

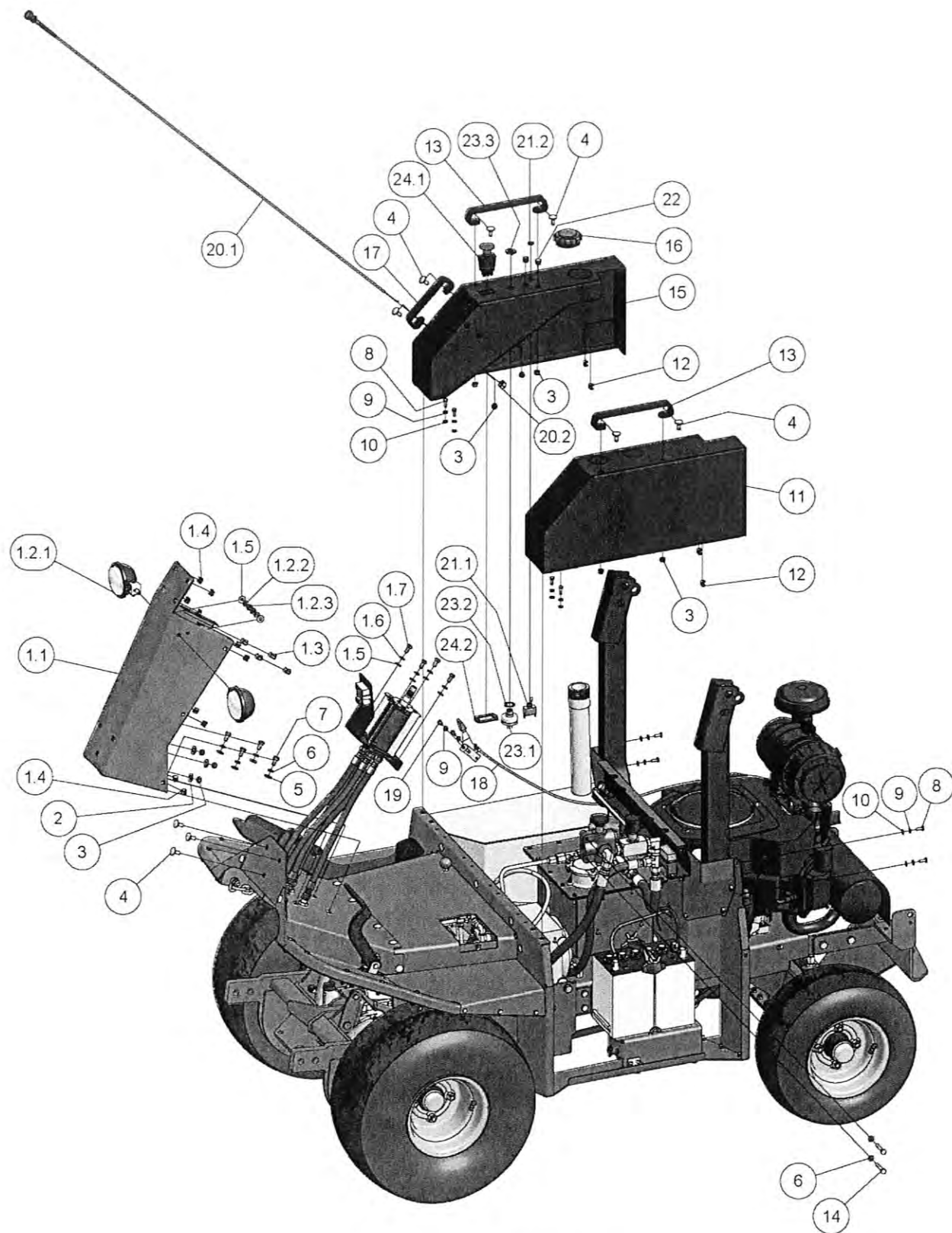
ITEM	PART NUMBER	DESCRIPTION	QTY
1	84159	Sub-Assy,Cowling,Engine,Red	1
1.1	84128	Sub-Assy,Panel,Rear,Cowling,Red	1
1.1.1	84199	Panel,Rear,Cowling,Red	1
1.1.2	14035	Bush,Square	2
1.2	84192	Panel,Outside,Cowling,Red	1
1.3	84198	Panel,Inside,Right,Red	1
1.4	84196	Panel,Mudguard,Right,Red	1
1.5	84195	Panel,Mudguard,Left,Red	1
1.6	84197	Panel,Inside,Left,Red	1
1.7	84194	Panel,Front,Cowling,Red	1
1.8	ST1010D	Screw,Hex Wash,Seal	51
2	84262	Pin,Pivot,Cowling,Znpl	1
3	SH0616M	Screw	19
4	NM6NT	Nut	1
5	84368	Stay,Engine Cowling	1
6	SH0816M	Screw	1
7	W051218	Washer	6
8	NM8NT	Nut	2
9	84139	Guard, Splash, Left, Red	1
10	84140	Guard,Splash,Right,Red	1
11	BCHSNM8X20	Bolt,Cup,Sq Neck	2
12	WS050216	Washer,Lock,Spring	4
13	84090	Panel,Cover,Side,Right,Red	1
14	W040818	Washer	18
15	WS040816	Washer,Lock,Spring	18
16	84073	Panel,Cover,Console,Red	1
17	84330	Cover,Binnicle,Black	1
18	84155	Sub-Assy,Console,Steering,Red	1
18.1	84329	Cover,Steering Unit,Black	1
18.2	SH0616M	Screw	4
18.3	WS040816	Washer	4
18.4	W040818	Washer	4
19	C8701	Attachment,Rops,Conquest,Black	1
19.1	84256	Bend,Upper,Rops,Black	1
19.2	PL06	Pin,Lynch	2
19.3	86054	Pin,Clevis	2
19.4	NM16N	Nut	2
19.5	B1665M	Bolt,Hex	2



CR8400 Fig 6 EXPLODED VIEW OF
 SEAT MOUNT , SERVICE HATCH , HYDRAULIC COVER , TRANSAXLE FAN GUARD
 DOOR , ENGINE HOOD , & ENGINE BAFFLE
 (INCLUDES OPTIONAL R.O.P.S.)

CR8400 CR8401—SEAT MOUNT, SERVICE HATCH, HYDRAULIC COVER, TRANSAXLE FAN GUARD DOOR, ENGINE HOOD &ENGINE BAFFLE

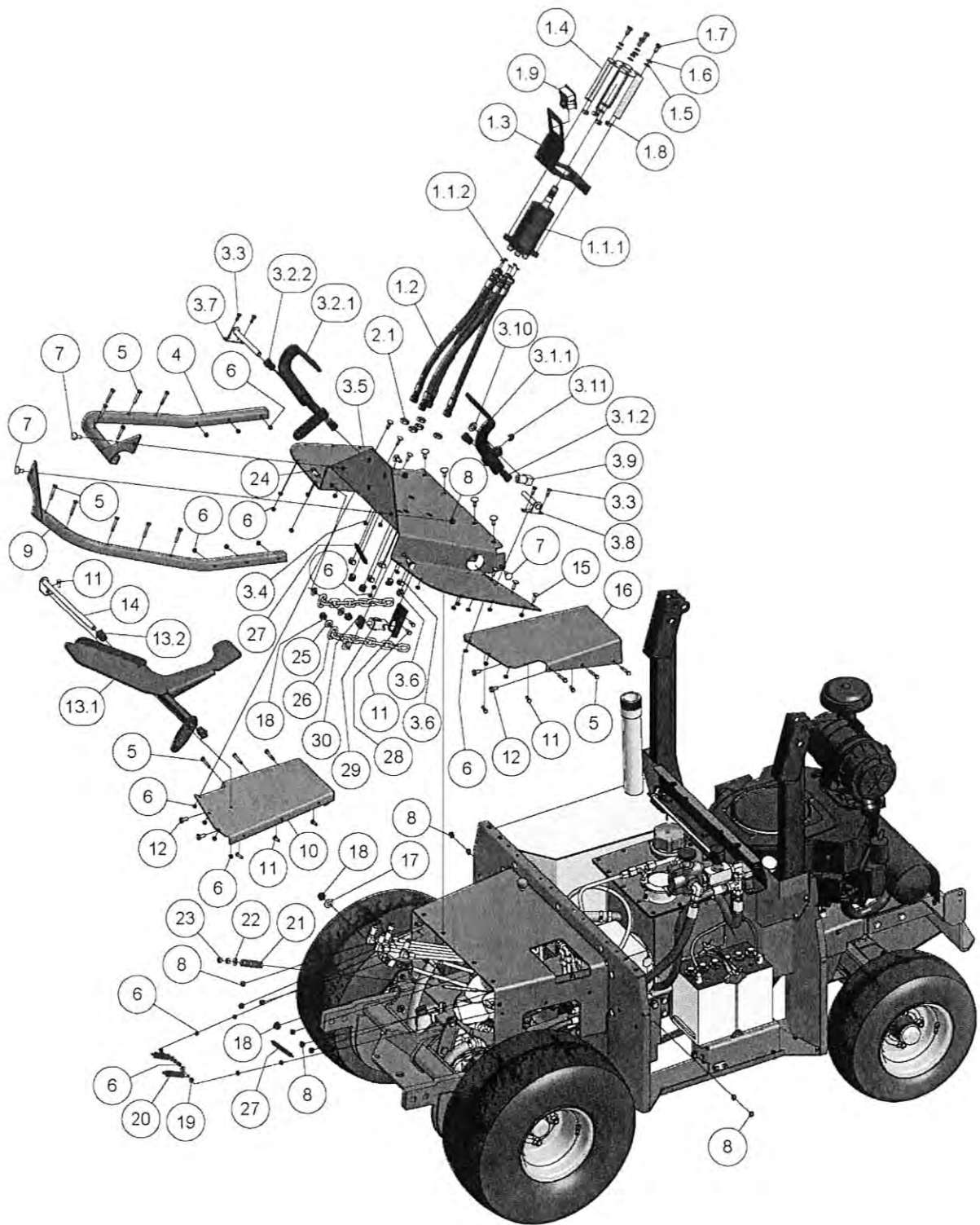
ITEM	PART NUMBER	DESCRIPTION	QTY
1	84158	Sub-Assy,Seat+Mount,Red	1
1.1	84082	Panel,Mount,Seat,Red	1
1.2	HINGEBUTT-025	Hinge,Butt	4
1.3	SH0616M	Screw	8
1.4	NM6NT	Nut	8
1.5	84285	Seal,Pinchweld	2
2	SH0616M	Screw	12
3	NM6NT	Nut	18
4	84080	Hatch,Service,Pto Drive Shaft,Red	1
5	W051218	Washer	7
6	WS050216	Washer,Lock,Spring	7
7	SH0816M	Screw	7
8	84202	Panel,Cover,Hydraulic,Red	1
9	84064	Guard,Fan,Transaxle,Black	1
10	84186	Sub-Assy,Door	1
10.1	84092	Hinge,Door,Side	1
10.2	LO2	Latch,Push Close,Flush,Pull.	1
10.2.1	LO2-01	Sub-Assy,Latch Housing & Handle	1
10.2.2	LO2-02	Mounting Bracket	1
10.2.3	LO2-03	Screw,Pan	1
10.3	PR0306	Rivet,Blind	5
10.4	84091	Panel,Door,Side,Red	1
10.5	84234	Bracket,Stay,Door,Znpl	1
10.6	84235	Stay,Door,Znpl	1
10.7	CT01	Clip,Tool,Size 10,Znpl	1
10.8	CP2-512	Pin,Split	1
10.9	SPM3X10	Screw,Pan	1
10.10	NM3NT	Nut	1
11	PR0306	Rivet,Blind	5
12	84127	Hood,Engine,Red	1
13	84287	Seal,Pinchweld,L=255	2
14		Sub-Assy,Engine,25.0 Koh,Conquest	1
14.1		Engine,25.0hp,V2cyl,Elec,Koh,Cv730	1
14.1.1		Guard,Kohler	1
14.1.2		Sleeve,Kohler	3
14.1.2		Washer,Kohler	3
14.1.4		Screw,Kohler	3
14.2	84288	Seal,Pinchweld,L=310	2
14.3	84286	Seal,Pinchweld,L=140	1
14.4	84314	Bracket,Mount,Air Cleaner	1
14.5	84209	Panel,Baffle,Engine,Red	1



CR8400 Fig 7 EXPLODED VIEW OF
 STEERING CONSOLE BODY , LEFT SIDE CONSOLE BODY , RIGHT SIDE CONSOLE
 (INCLUDES OPTIONAL R.O.P.S.)

CR8400 CR8401—STR CONSOLE BODY, LEFT SIDE CONSOLE BODY, RIGHT SIDE CONSOLE

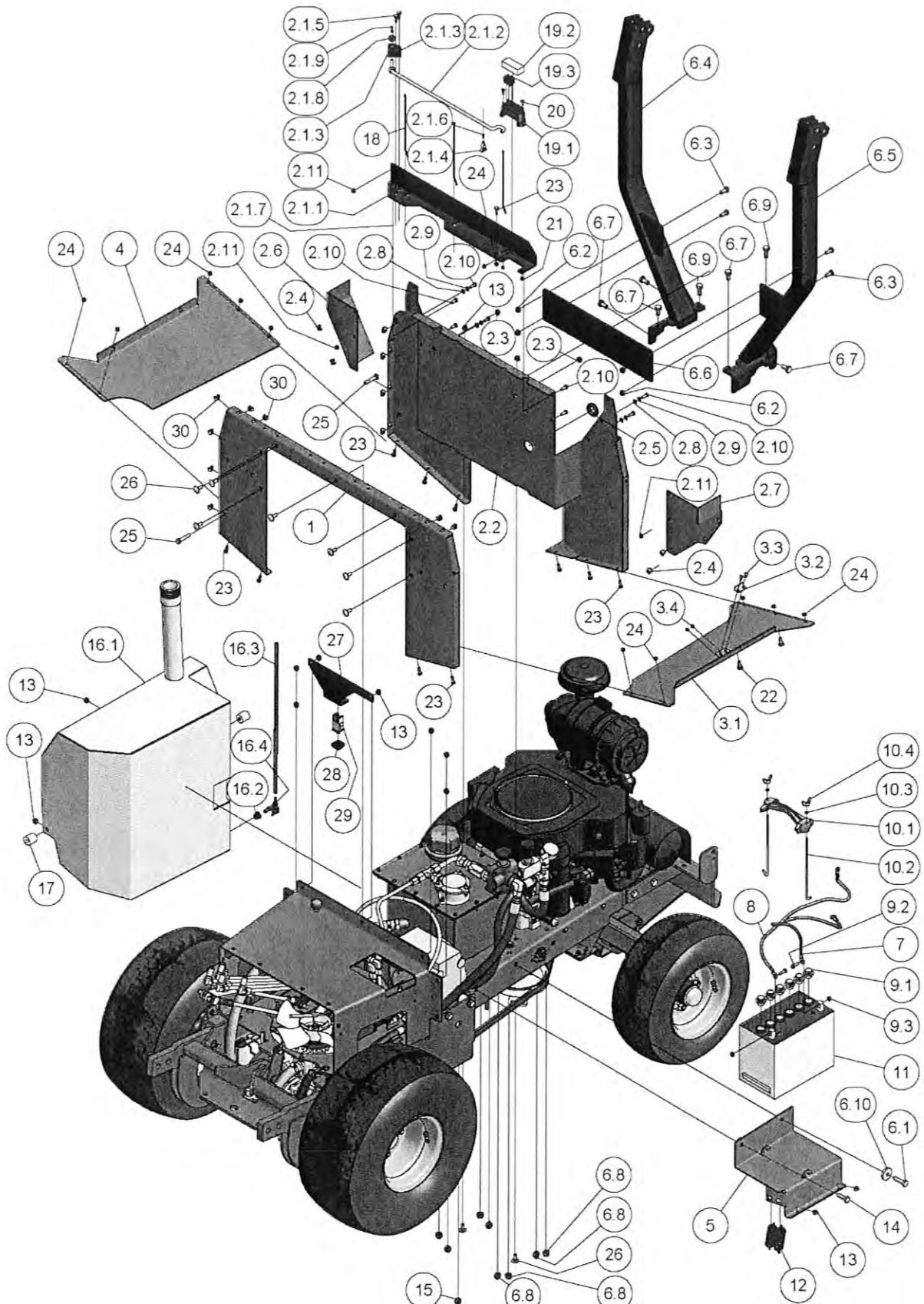
ITEM	PART NUMBER	DESCRIPTION	QTY
1	84155	Sub-Assy, Console, Steering, Red	1
1.1	84071	Panel, Body, Console, Steer, Red	1
1.2	15109	Headlamp	2
1.2.1		Body, Headlamp	1
1.2.2	WS050216	Washer, Lock, Spring	1
1.2.3	NM8	Nut	1
1.3	NCM8X3.2	Nut, Cage	4
1.4	NCM6x3.2	Nut, Cage	6
1.5	W051218	Washer	6
1.6	WS050216	Washer, Lock, Spring	4
1.7	SH0816M	Screw	4
2	W10MN	Washer	3
3	NM8NT	Nut	9
4	BCHSNM8X20	Bolt, Cup, Sq Neck	9
5	W051218	Washer	4
6	WS050216	Washer	6
7	SH0816M	Screw	4
8	SH0616M	Screw	8
9	WS040816	Washer, Lock, Spring	8
10	W040818	Washer	8
11	84300	Console, Left, Black	1
12	NCM6x3.2	Nut, Cage	4
13	84297	Handle, Console	2
14	B0840M	Bolt	2
15	84302	Console, Right, Black.	1
16	CF01	Cap, Fuel, Vented, Buttruss	1
17	84298	Handle, Console	1
18	84137	Control, Speed, Engine, Conquest, 25hp Koh	1
19	SH0612M	Screw, Hex	2
20	84372	Control, Choke, Engine, Conquest, 25.0hp Koh	1
20.1		Body, Control, Choke	1
20.2		Nut, Control, Choke	1
21	AM229	Light Switch Incl Wire	1
21.1		Body, Switch, Toggle	1
21.2		Nut, Switch, Toggle	2
22	091130	Plug, Dash, Small	2
23	13125	Switch, Key	1
23.1		Body, Switch, Key, Magneto, 3 Posn, 6 Term, 5/8" Unf	1
	AM015	Keys, Switch	pr
23.2	W10S	Washer, Lock, Int Tooth	1
23.3		Nut	1
24	14124	Switch, Pto	1
24.1		Body, Switch, Push-Pull	1
24.2		Retaining Ring	1



CR8400 Fig 8 EXPLODED VIEW OF
CABIN FLOOR
(INCLUDES OPTIONAL R.O.P.S.)

CR8400 CR8401— CABIN FLOOR

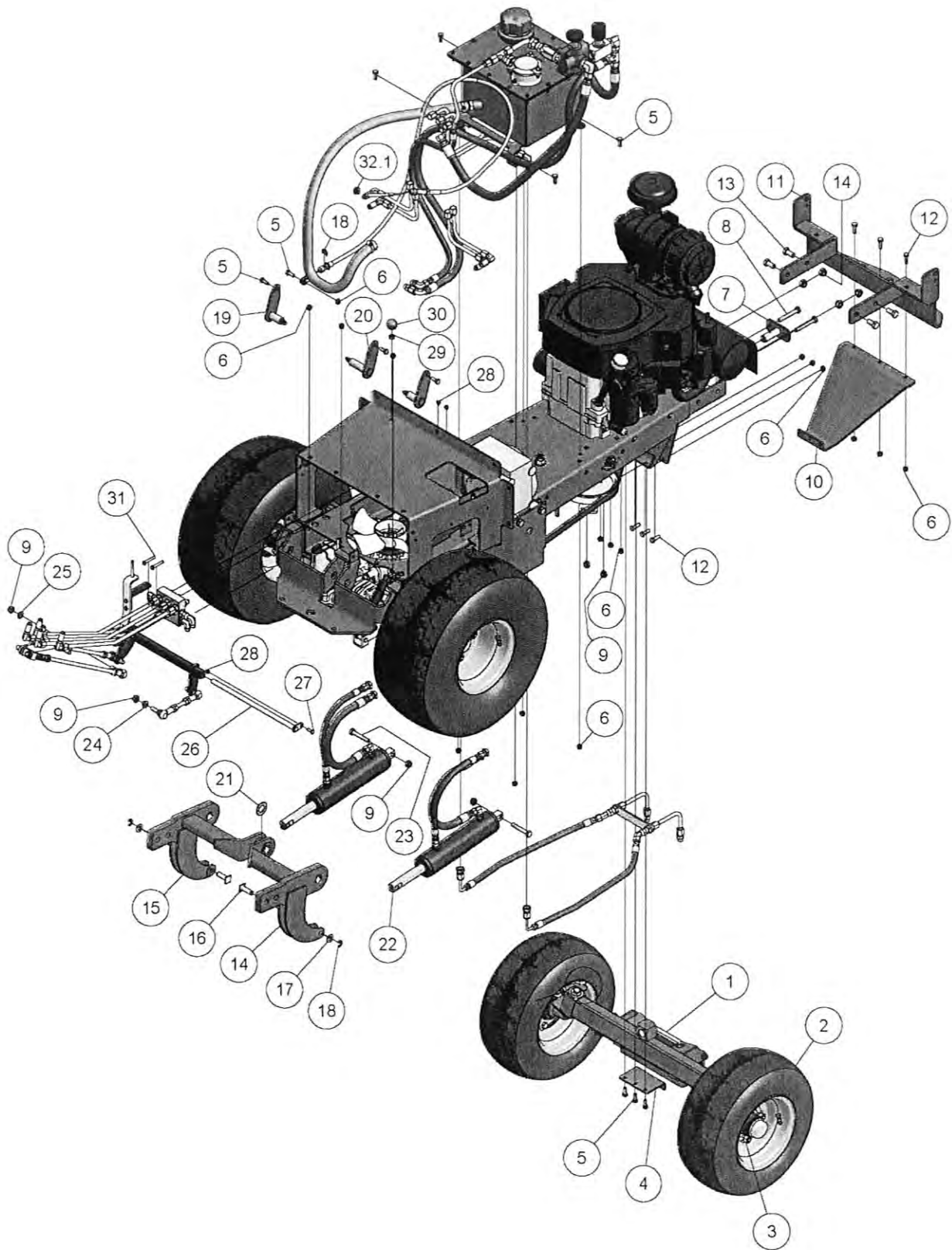
ITEM	PART NUMBER	DESCRIPTION	QTY
1	84155	Sub-Assy, Console, Steering, Red	1
1.1	84005	Unit, Steer, Hydro, Danfoss	1
1.1.1		Body, Unit, Steer, Hydro, Danfoss	1
1.1.2	84362	"O" Ring	5
1.2	84343	Assy, Hose, Hyd	5
1.3	84072	Flange, Mount, Steering Unit, Black	1
1.4	84188	Bracket, Mount, Cover, Steering Unit, Bare	1
1.5	W051218	Washer	4
1.6	WS050216	Washer, Lock, Spring	4
1.7	SH0816M	Screw	4
1.8	NCM6x3.2	Nut, Cage	4
1.9	84076	Meter, Combine, Mag+Hour+Warning Led"S	1
2	84319	Fitting, Tube, Elbow	4
2.1	84320	Nut	1
3	84169	Sub-Assy, Floor, Cabin	1
3.1	84171	Sub-Assy, Pedal, Diff Lock, Black	1
3.1.1	84119	Pedal, Diff-Lock, Black	1
3.1.2	14035	Bush, Square	2
3.2	84170	Sub-Assy, Pedal, Brake, Black	1
3.2.1	84107	Pedal, Brake, Black	1
3.2.2	14035	Bush, Square, 16.8af, 12.7id, Red	2
3.3	SH0616M	Screw	4
3.4	NM6NT	Nut	4
3.5	84066	Floor, Cabin, Red	1
3.6	NCM8X3.2	Nut, Cage	8
3.7	84106	Pin, Pivot, Brake Pedal	1
3.8	84174	Pin, Pivot, Diff-Lock Pedal	1
3.9	84115	Block, Push, Diff Lock Cable	1
3.10	W12MN	Washer	1
3.11	C01	Circlip, External, "E" Type	1
4	84070	Rail, Footrest, Right, Red	1
5	B0635M	Bolt	16
6	NM6NT	Nut	31
7	BCHSNM8X20	Bolt	8
8	NM8NT	Nut	12
9	84069	Rail, Footrest, Left, Red	1
10	84068	Panel, Step, Right, Red	1
11	SH0616M	Screw	9
12	SH0816M	Screw	4
13	84162	Sub-Assy, Pedal, Drive, Black	1
13.1	84105	Pedal, Drive, Black	1
13.2	14035	Bush, Square	2
14	84104	Pin, Pivot, Drive Pedal, Znpl	1
15	BCHSNM6X20	Bolt	6
16	84067	Panel, Step, Left, Red	1
17	W081616	Washer	3
18	NM10NT	Nut	4
19	W040818	Washer	4
20	AM180	Spring, Extension, Bonnet Strap	2
21	84210	Spring, Compression, Brake+Diff Lock	1
22	W051218	Washer	1
23	N05F	Nut	2
24	SH1025M	Screw	2
25	W10MN	Washer	4
26	86040	Chain, Suspension, 6 X 10 Link	2
27	AM288	Spring, Extensionpark Brake/Chain Adjust	2
28	84316	Bracket, Brake, Switch, Black	1
29	SP2PNONCSM	Switch, Plunger	2
30	CSP2PSM	Cover, Switch, Plunger	2



CR8400 Fig 9 EXPLODED VIEW OF OPERATOR PLATFORM PANELS , BATTERY , & FUEL TANK (INCLUDES OPTIONAL R.O.P.S.)

CR8400 CR8401—OPERATOR PLATFORM PANELS, BATTERY & FUEL TANK

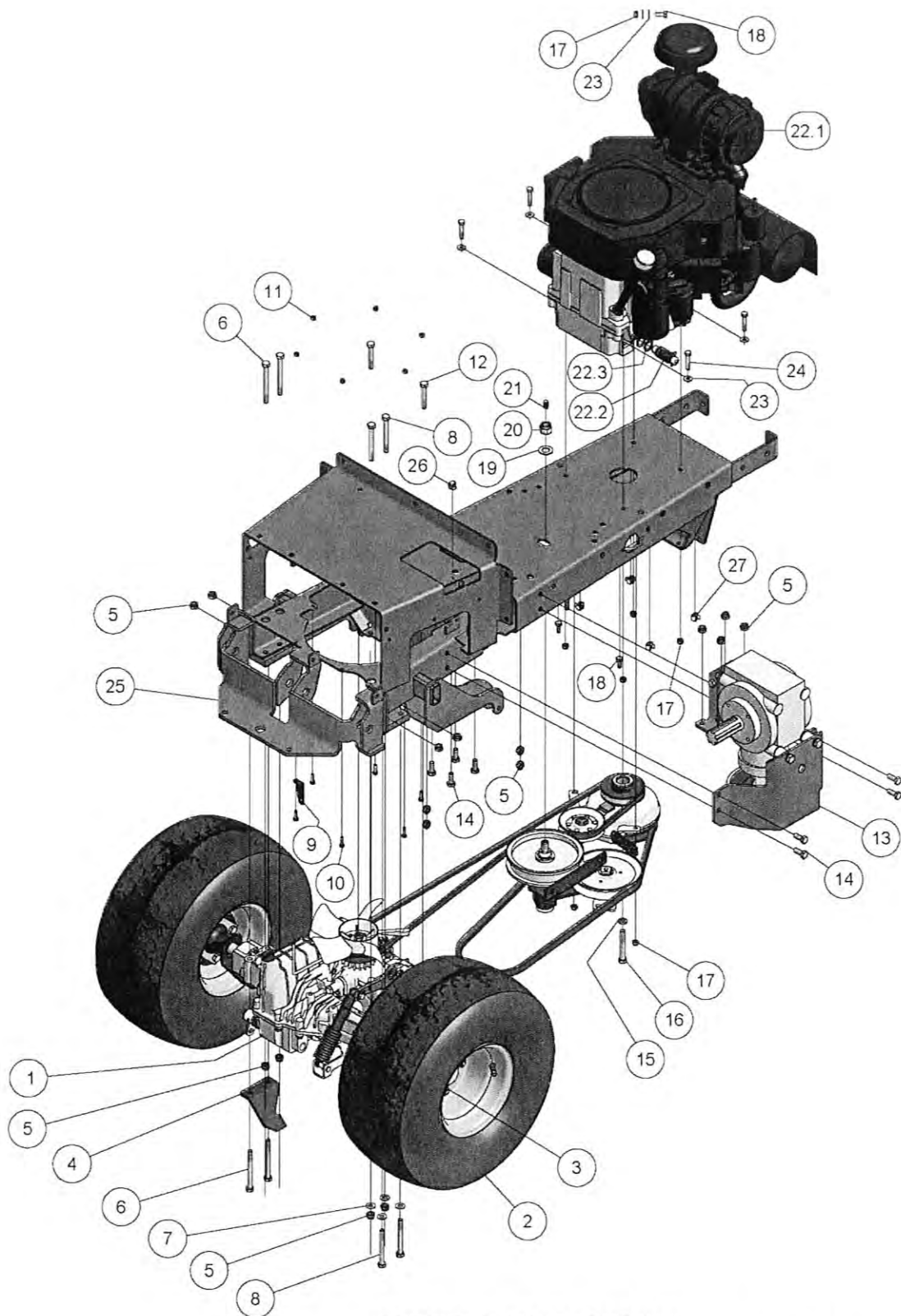
ITEM	PART NUMBER	DESCRIPTION	QTY
1	84081	Panel,Platform,Operator,Front,Red	1
2	84279	Sub-Assy,Panel,Platform,Rear	1
2.1	84283	Bracket,Seat,Stay,Support	1
2.1.1	84225	Bracket,Fuse+Prop,Black	1
2.1.2	84226	Prop,Seat Base,Znpl	1
2.1.3	84227	Hinge,Rod,Prop,Seat Base,Black	1
2.1.4	13109	Latch,Bonnet	1
2.1.5	SH0616M	Screw	2
2.1.6	PR0204	Rivet,Blind	1
2.1.7	NM6NT	Nut	2
2.1.8	W051218	Washer	1
2.1.9	CP2-512	Pin,Split	1
2.2	84083	Panel,Firewall,Red	1
2.3	WG06X08	Grommet,Wiring,Rubr	2
2.4	NCM6x3.2	Nut,Cage	8
2.5	WG14.5X19	Grommet,Wiring,Rubr	1
2.6	84204	Panel,Infil,Right,Red	1
2.7	84208	Panel,Infill,Left,Red	1
2.8	W040818	Washer	4
2.9	WS040816	Washer,Lock,Spring	4
2.10	SH0616M	Screw	8
2.11	NM6NT	Nut	4
3	84160	Sub-Assy,Floor,Console,Left,Red	1
3.1	84084	Floor,Console,Left,Red	1
3.3	SPM5X12	Screw	2
3.4	NM5NT	Nut	2
4	84085	Panel,Floor,Console,Right,Red	1
5	84201	Bracket,Battery,Red	1
6	C8701	Attachment,Rops,Conquest,Black	1
6.1	SH1035M	Screw	1
6.2	NM8NT	Nut	4
6.3	SH0820M	Screw	4
6.4	84260	Post,Rops,Right,Black	1
6.5	84255	Post,Rops,Left,Black	1
6.6	84257	Brace,Rops,Black	1
6.7	SH1020M	Screw	5
6.8	NM10NT	Nut	8
6.9	SH1025M	Screw	2
6.10	W103506	Washer	1
7	84132	Lead,Battery,Red	1
8	84133	Lead,Battery,Black	1
9	84134CAP	Kit,Cap+Term Fastener,Battery	1
9.2	SH0620M	Screw	2
9.3	NHM6	Nut	2
10	84135	Kit,Clamp,Battery	1
11	84134	Battery	1
12	AM145	Spring,Extension,Weight Compensating	2
13	NM8NT	Nut	11
14	SH1030M	Screw	1
15	NM10NT	Nut	1
16	84175	Sub-Assy,Tank,Fuel	1
16.1	84290	Tank,Fuel,Aluminium,Bare	1
16.2	AM294	Grommet,Fuel Tap	1
16.3	84042	Line,Fuel	1
16.4	AM293	Tap,Petrol	1
17	84367	Spacer,Nylon	2
18	CABLETIE3	Tie,Cable	3
19	84370	Box,Fuse,Blade,6 Term	1
19.3	FUSEB15	Fuse,Blade,15a	3
20	SPM5X12	Screw	2
21	NM5NT	Nut	2
22	SH0816M	Screw	2
23	SH0616M	Screw	11
24	NM6NT	Nut	11
25	B0840M	Bolt	2
26	BCHSNM8X20	Bolt	7
27	84230	Bracket,Switch,Park Brake,Black	1
28	CSP2PSM	Cover,Switch,Plunger	2
29	SP2PNONCSM	Switch,Plunger	2
30	NCM6x3.2	Nut,Cage	12



CR8400 Fig 10 EXPLODED VIEW OF HYDRAULIC SYSTEM , TRACTION CONTROL LINKAGES , REAR BUMPER , & STEER AXLE

**CR8400 CR8401—HYDRALIC SYSTEM. TRACTION CONTROL
LINKAGES, REAR BUMPER & STEER AXLE**

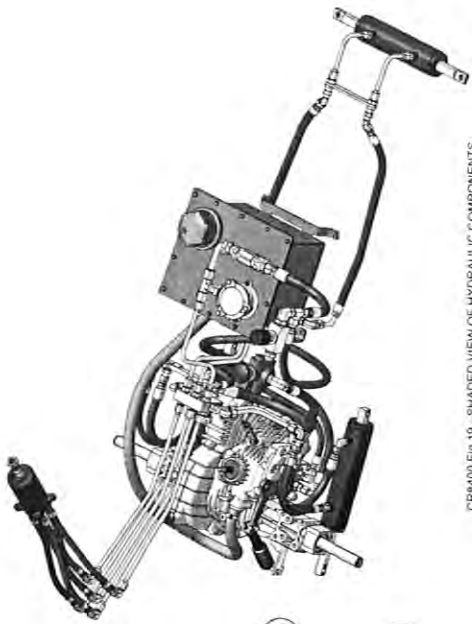
ITEM	PART NUMBER	DESCRIPTION	QTY
1	84029	Sub-Assy,Axle,Steer,Red	1
2	84044	Sub-Assy,Wheel	2
3	NHWF07	Nut	8
4	84215	Bracket,Cheek,Red	1
5	SH0820M	Screw	11
6	NM8NT	Nut	17
7	84295	Sub-Assy,Pin,Pivot,Axle,Red	1
8	B1070M	Bolt	2
9	NM10NT	Nut	2
10	84129	Shield,Skid,Rear,Red	1
11	84142	Bumper,Rear,Red	1
12	SH0825M	Screw	6
13	SH1225M	Screw	4
14	84009	Sub-Assy,Arm,Impliment,Left,Red	1
14	NM12NT	Nut	4
15	84010	Sub-Assy,Arm,Impliment,Right,Red	1
16	84078	Pin,Lift Cylinder,Znpl	2
17	W12MN	Washer	2
18	C01	Circlip,Ext,"E"Type	3
19	84156	Axle,Impliment Arm,L=37,Red	2
20	84179	Axle,Implement Arm, L=58,Red	1
21	84030	Bearing,Thrust	1
22	84008	Cylinder,Hydraulic,Lift	2
23	B1060M	Bolt	2
24	84112	Bush,Lever,Drive	1
25	84223	Bush,Lever,Brake	1
26	84102	Pin,Pivot,Transfer Arm	1
27	SH0616M	Screw	1
28	NM6NT	Nut	3
29	N05C	Nut	1
30	14038	Knob,Spherical	1
31	BO640M	Bolt	2
32	84114	Cable,Activate,Diff Lock	1
32.1		Nut	2



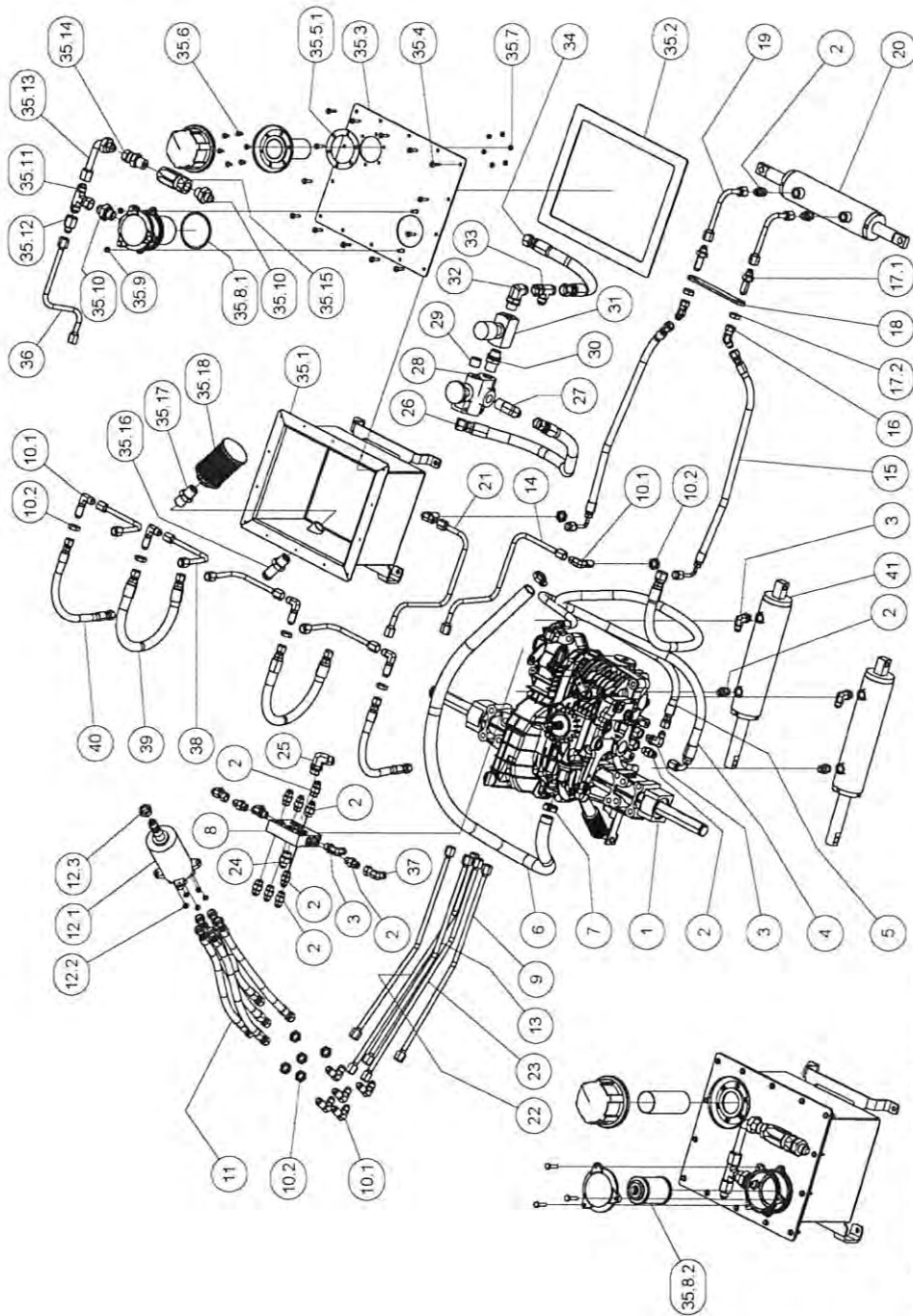
CR8400 Fig 11 EXPLODED VIEW OF
 TRANSAXLE , P.T.O. GEARBOX , BELT TENSIONERS , ENGINE , & CHASSIS

CR8400 CR8401—TRANSAXLE, P.T.O. GEARBOX, BELT TENSIONERS, ENGINE & CHASSIS

ITEM	PART NUMBER	DESCRIPTION	QTY
1	84040	Sub-Assy, Transaxle, Hydrostatic	1
2	84043	Sub-Assy, Wheel	2
3	NHWF07	Nut, Hex, Wheel	16
4	84113	Bracket, Restraint, Cable End, Black	1
5	NM10NT	Nut	29
6	B10100M	Bolt	4
7	W10MN	Washer	11
8	B1090M	Bolt	4
9	84224	Bracket, Link, Roll Release, Black	1
10	SH0620M	Screw	8
11	NHM6	Nut	6
12	B1060M	Bolt	4
13	84157	Sub-Assy, Gearbox, Pto	1
14	SH1025M	Screw	10
15	WS071006	Washer, Lock, Spring	1
16	B0748F	Bolt	1
17	NM8NT	Nut	61
18	SH0820M	Screw	14
19	W102015	Washer	2
20	NM16N	Nut	1
21	GNTF4	Nipple, Grease	4
22	84046	Sub-Assy, Engine, 25.0 Koh, Conquest	1
22.1		Engine, 25.0hp, V2cyl, Elec, Koh, Cv730	1
22.2	13206	Valve, Drain, Oil	1
22.3	WF111705	Washer, Flat, Fibre	2
23	W051218	Washer	24
24	B0840M	Bolt	8
25	84100	Chassis, Tractor, Conquest, Red	1
26	NCM8X3.2	Nut, Cage	3
27	NCM8X4.75	Cage Nut	4



CR8400 Fig 19 - SHADED VIEW OF HYDRAULIC COMPONENTS

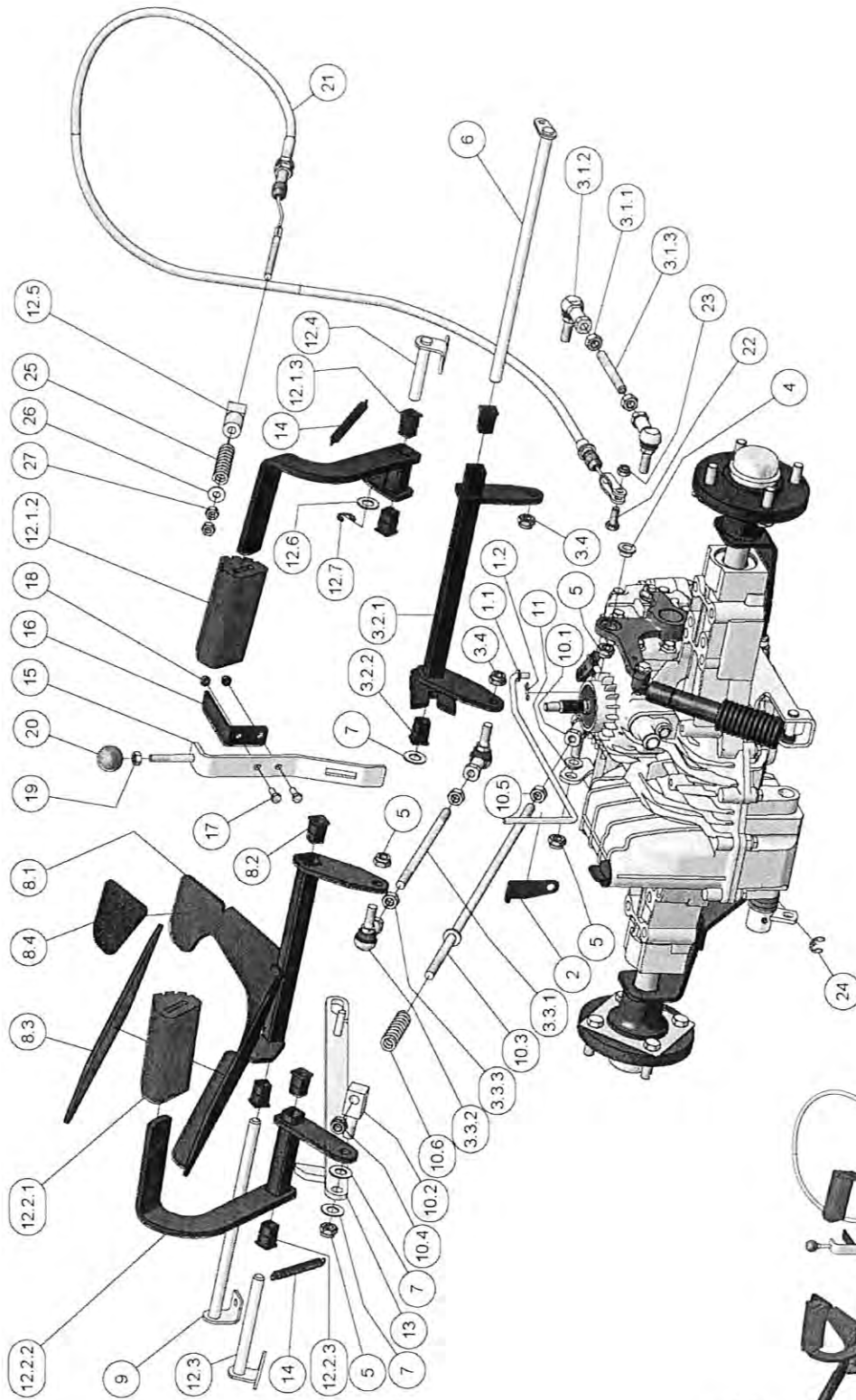


CR8400 Fig 20 - EXPLODED VIEW OF HYDRAULIC LINE COMPONENTS

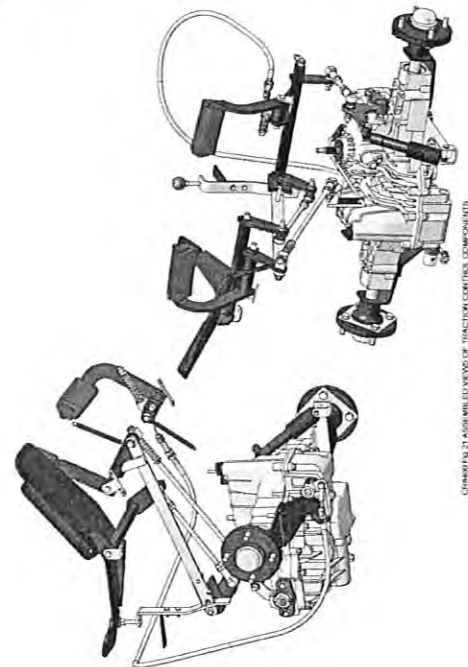
Fig 20A HYDRAULIC TANK SERVICE ITEMS

CR8400 CR8401—HYDRALIC LINE COMPONENTS

ITEM	PART NUMBER	DESCRIPTION	QTY
1	84040	Sub-Assy,Transaxle,Hydrostatic	1
1.1	84001	Transaxle,Hydrostatic	1
1.1.1	T1A637026450	Filter	1
2	84317	Fitting,Tube,Jic Flare-Orb	15
3	84318	Fitting,Tube,Elbow,Jic Flare-Orb	5
4	84358	Assy,Hose,Hyd	1
5	84359	Assy,Hose,Hyd	1
6	84361	Hose,Hyd,Breather,Transaxle	1
7	CH01	Clamp,Hose	2
8	84254	Manifold,Hydraulic	1
9	84332	Assy,Hose,Hyd	2
10	84319	Fitting,Tube,Elbow	11
10.1	84319	Body,Fitting,Tube,Elbow	1
10.2	84320	Nut	1
11	84343	Assy,Hose,Hyd	5
12	84005	Unit,Steer,Hydro,Danfross	1
12.2	84362	"O"Ring	5
12.3	N10FT	Nut	1
13	84333	Assy,Hose,Hyd	1
14	84335	Assy,Tube,Steer,Left	1
15	84353	Assy,Hose,Hyd	2
16	84352	Fitting,Tube,Elbow	2
17	84331	Fitting,Tube,Bhd,Jic Flare	2
17.1	84331	Body,Fitting,Tube,Bhd,Jic Flare	1
17.2	84320	Nut	1
18	84261	Bar,Spreader,Hydraulic Line,Znpl	1
19	84338	Assy,Tube,Steer, Cylinder	2
20	84007	Cylinder,Hydraulic,Steer	1
21	84336	Assy,Tube,Steer,Right	1
22	84326	Assy,Hose,Hyd	1
23	84327	Assy,Tube,Hyd	1
24	84323	Fitting,Tube,Jic Flare-Orb	1
25	84325	Fitting,Tube,Elbow,Jic Flare-Orb	1
26	84356	Assy,Hose,Hyd	1
27	84341	Fitting,Tube,Elbow,Jic Flare-Bspt	1
28	84153	Valve,Hyd,Impliment,Lift	1
29	84360	Plug,Pipe,Hex Soc	1
30	84339	Fitting,Pipe	1
31	84152	Valve,Needle	1
32	84340	Fitting,Tube,Elbow,Jic Flare	1
33	84342	Fitting,Tube,Tee,Jic Flare-Swivel-Jic Flare	1
34	84355	Assy,Hose,Hyd	1
35	84268	Sub-Assy,Tank,Oil,Reservoir	1
35.1	84266	Body,Tank,Oil,Hydraulic,Red	1
35.2	84098	Gasket,Tank,Hydraulic,Bare	1
35.3	84267	Lid,Tank,Oil,Hydraulic,Red	1
35.4	STD1010D	Screw,Hex Wash,Seal	14
35.5	84151	Breather,Filler/Filter/Strainer	1
35.5.1	84063	Gasket,Breather/Filler,Res,Hyd	1
35.6	SPM5X12	Screw	6
35.7	NM5NT	Nut	6
35.8	84150	Filter,Return,Tank	1
35.8.1	84150-05	O-Ring	1
35.9	NM6NT	Nut	2
35.1	84278	Fitting,Tube,Jic Flare	2
35.11	84280	Fitting,Tube,Tee,Jic Flare-Flare-Swivel	1
35.12	84270	Fitting,Tube,Jic Flare-Swivel	1
35.13	84269	Fitting,Tube,Elbow,Long	1
35.14	84282	Fitting,Tube,Jic Swivel	1
35.15	84281	Valve,Check/Relief,Line	1
35.16	84276	Fitting,Hose,Tail-Bspt	1
35.17	84277	Nipple,Pipe	1
35.18	84265	Strainer,Suction,Reservoir,Hydraulic	1
36	84334	Assy,Tube,Tank,Return	1
37	84324	Fitting,Tube,Elbow	2
38	84328	Assy,Hose,Hyd	4
39	84348	Assy,Hose,Hyd	2
40	84349	Assy,Hose,Hyd	2
41	84008	Cylinder,Hydraulic,Lift	2



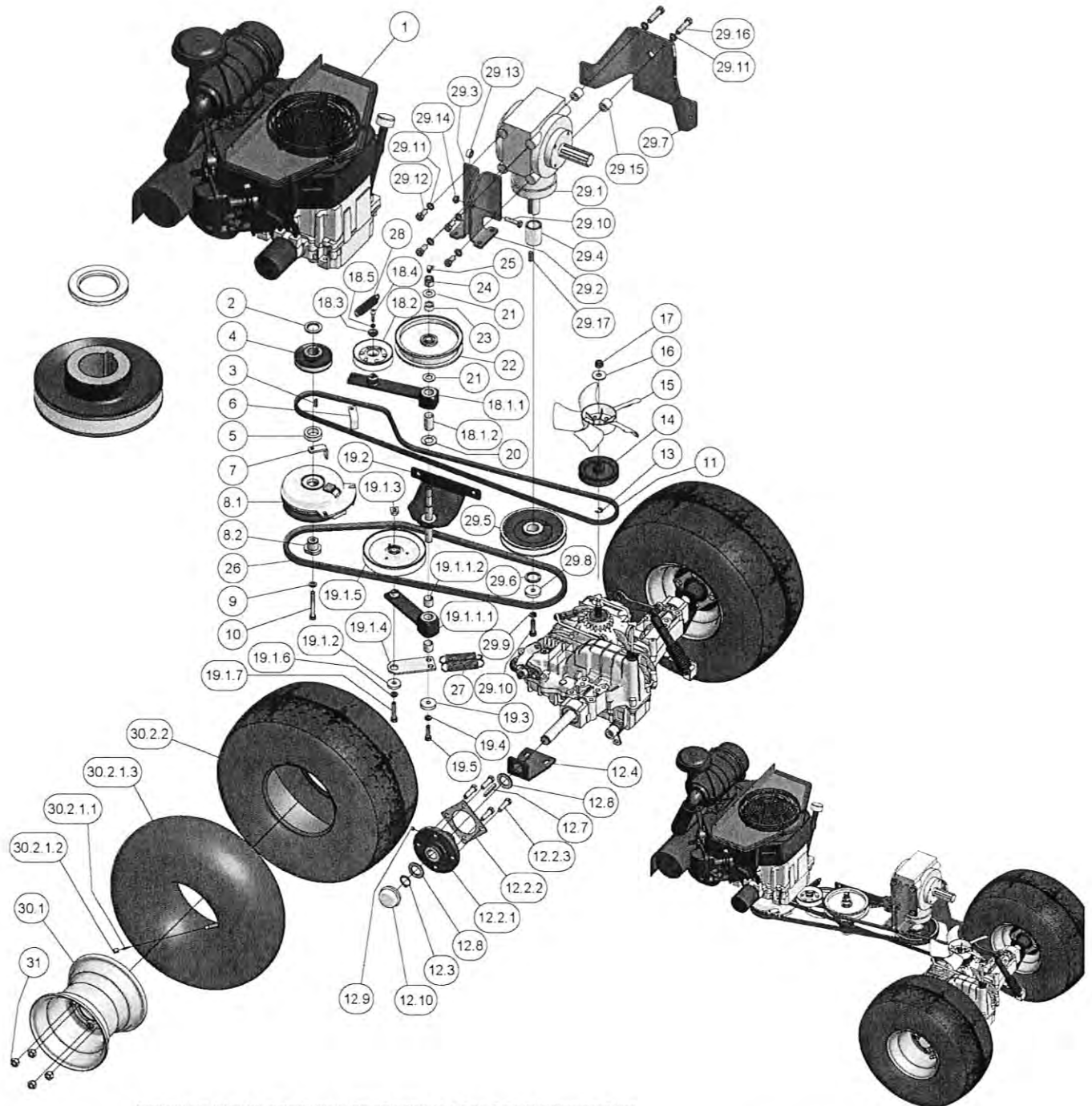
CR8400 Fig 22 EXPLODED VIEW OF TRACTION CONTROL COMPONENTS



CR8400 Fig 21 ASSEMBLED VIEW OF TRACTION CONTROL COMPONENTS

CR8400 CR8401—TRACTION CONTROL COMPONENTS

ITEM	PART NUMBER	DESCRIPTION	QTY
1	84040	Sub-Assy,Transaxle,Hydrostatic	1
1.1	84217	Link,Disengage,Transaxle	1
1.2	CP2-512	Pin,Split	1
2	84224	Bracket,Link,Roll Release,Black	1
3	84168	Sub-Assy,Linkage,Drive	1
3.1	84166	Sub-Assy,Link,Drive,Transaxle	1
3.1.1	NHM10	Nut	2
3.1.2	REM10	End,Rod	2
3.1.3	84099	Rod,Link	1
3.2	84167	Sub-Assy,Transfer,Arm	1
3.2.1	84101	Arm,Transfer,Drive,Link,Black	1
3.2.2	14035	Bush,Square	2
3.3	84184	Sub-Assy,Link,Drive,Pedal	1
3.3.1	84103	Pin,Pivot,Drive,Pedal	1
3.3.2	REM10	End,Rod	2
3.3.3	NHM10	Nut	2
3.4	NM10NT	Nut	2
4	84112	Bush,Lever,Brake	1
5	NM10NT	Nut	3
6	84102	Pin,Pivot,Transfer Arm,	1
7	W081616	Washer	3
8	84162	Sub-Assy,Pedal,Drive,Black	1
8.1	84105	Pedal,Drive,Black	1
8.2	14035	Bush,Square	2
8.3	84163	Non-Slip Rubber Mat	1
8.4	84165	Non-Slip Rubber Mat	1
9	84104	Pin,Pivot,Drive Pedal,Znpl	1
10	84177	Sub-Assy,Link,Brake	1
10.1	REM10	End,Rod	1
10.2	84108	Block,Pivot,Brake Link	1
10.3	84109	Bar,Link,Brake	1
10.4	NM10NT	Nut	1
10.5	NHM10	Nut	1
10.6	84210	Spring,Compression,Brake+Diff Lock	1
11	84223	Bush, Drive Cable	1
12	84169	Sub-Assy,Floor,Cabin	1
12.1	84171	Sub-Assy,Pedal,Diff Lock,Black	1
12.1.1	84119	Pedal,Diff-Lock,Black	1
12.1.2	13028	Pad,Pedal	1
12.1.3	14035	Bush,Square	2
12.2	84170	Sub-Assy,Pedal,Brake,Black	1
12.2.1	13028	Pad,Pedal	1
12.2.2	84107	Pedal,Brake,Black	1
12.2.3	14035	Bush,Square	2
12.3	84106	Pin,Pivot,Brake Pedal	1
12.4	84174	Pin,Pivot,Diff-Lock Pedal	1
12.5	84115	Block,Push,Diff Lock Cable	1
12.6	W12MN	Washer	1
12.7	C01	Circlip,External,"E" Type	1
13	84110	Link,Disengage,Drive,Znpl	1
14	AM288	Spring,Extensionpark Brake/Chain Adjust	2
15	84214	Bracket,Activate,Park Brake,Znpl	1
16	84231	Bracket,Activate,Switch,Park Brake,Black	1
17	SH0616M	Screw	2
18	NM6NT	Nut	2
19	N05C	Nut	1
20	14038	Knob,Spherical	1
21	84114	Cable,Activate,Diff Lock	1
22	SH0820M	Screw	1
23	NM8NT	Nut	1
24	C01	Circlip,External,"E" Type	4
25	84210	Spring,Compression,Brake+Diff Lock	1
26	W051218	Washer	1
27	N05F	Nut	2



CR8400 Fig 24 EXPLODED VIEW OF TRACTION & PTO DRIVE COMPONENTS

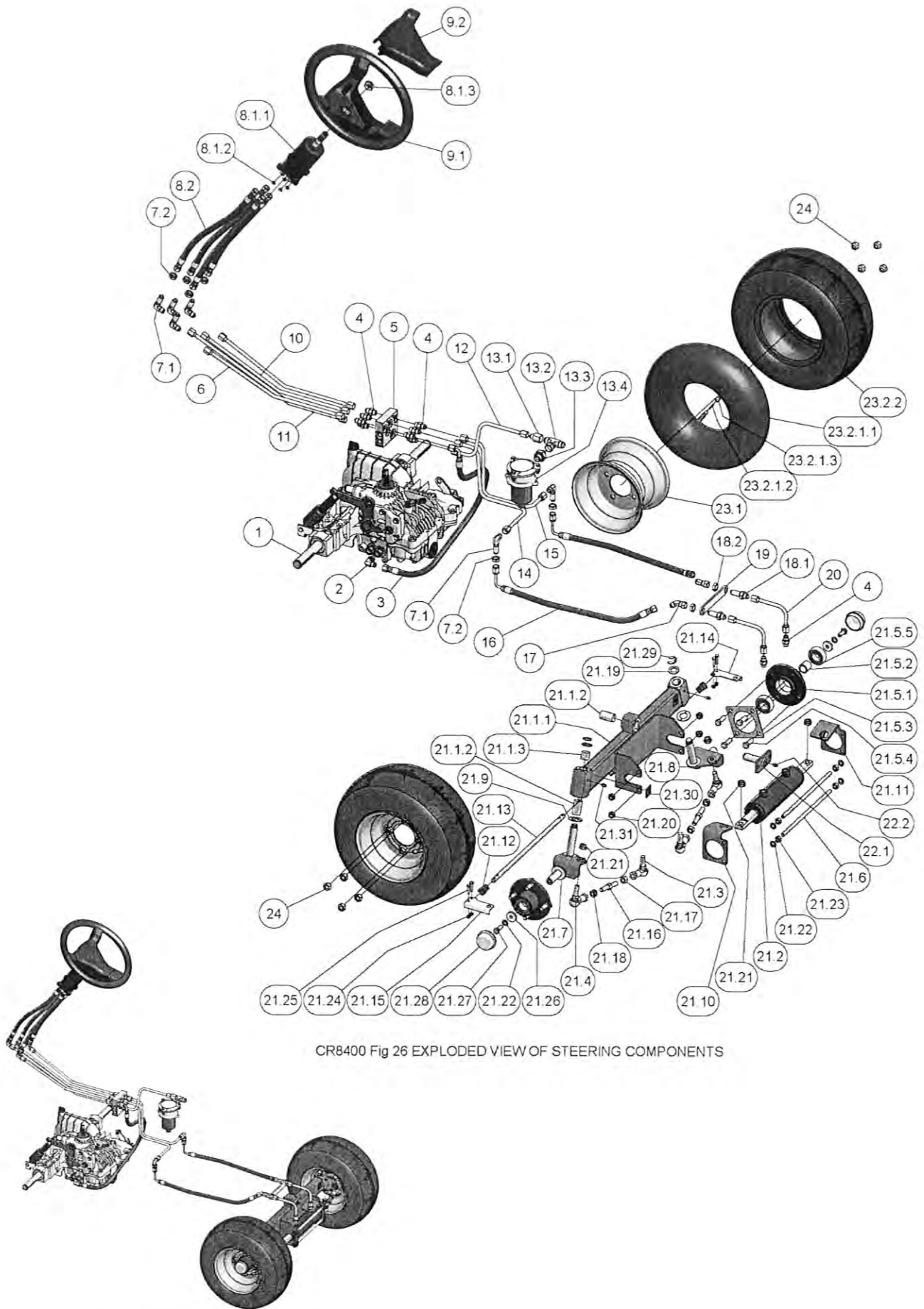
CR8400 Fig 23 ASSEMBLED VIEW OF TRACTION & PTO DRIVE COMPONENTS

CR8400 CR8401—TRACTION & P.T.O. DRIVE COMPONENTS

ITEM	PART NUMBER	DESCRIPTION	QTY
1	84046	Sub-Assy,Engine,25.0 Koh,Conquest	1
2	84062	Spacer,Sleeve	1
3	84371	Key	1
4	84034	Pulley,Ci	1
5	84061	Spacer,Sleeve	1
6	84219	Bracket,Restraining,Clutch,Left	1
7	84218	Bracket,Restraining,Clutch,Right	1
8	84004	Clutch/Brake,Elec magnet	1
9	WS071006	Washer,Lock,Spring	1

CR8400 CR8401—TRACTION & P.T.O. DRIVE COMPONENTS CONT.

ITEM	PART NUMBER	DESCRIPTION	QTY
10	B0748F	Bolt	1
11	V28	Belt,V	1
12	84040	Sub-Assy,Transaxle,Hydrostatic	1
12.1	84001	Transaxle,Hydrostatic	1
12.2	84039	Sub-Assy,Hub,Wheel	2
12.2.1	84033	Hub,Wheel	1
12.2.2	84023	Tab,Lock,4 Bolt	1
12.2.3	SHO724F	Screw	4
12.3	C07	Circlip,Ext,Std,Hvy/Duty	2
12.4	84216	Bracket,Locate,Hub,Black	2
12.5	84217	Link,Disengage,Transaxle	1
12.6	CP2-512	Pin,Split	1
12.7	84041	Key	2
12.8	W264502	Washer	4
12.9	GS0505C	Screw,Set	2
12.1	CHG02	Cap,Hub,Grease	2
13	C01	Circlip,Ext,"E"Type	4
14	84057	Pulley,Input,4"	1
15	84058	Fan,Plastic,9"	1
16	84059	Washer	1
17	NM12NT	Nut	5
18	84053	Sub-Assy,Tensioner,Hydro V Belt,Black	1
18.1	84054	Sub-Assy,Arm,Tension,Hydro V Belt,Black	1
18.1.1	84055	Arm,Tensioner,Hydro V Belt,Black	1
18.1.2	AM313	Bush,Bronze	1
18.2	PIVBB17A88	Idler,V Belt,Brg,Sealed	1
18.3	84056	Boss,Idler	1
18.4	CHSSM8X25	Screw	1
18.5	WSM8X2X2	Washer,Lock,Spring	1
19	84047	Sub-Assy,Bracket,Drive Tension,Black	1
19.1	84049	Sub-Assy,Tensioner,Pto Drive Belt,Black	1
19.1.1	84051	Sub-Assy,Arm,Tensioner,Black	1
19.1.1.1	84052	Arm,Tensioner,Pto Drive Belt,Black	1
19.1.1.2	AM314	Bush,Bronze	2
19.1.2	W103506	Washer	1
19.1.3	84014	Boss,Idler	1
19.1.4	86031	Plate,Spring,Twin	1
19.1.5	PIVBB01	Idler,V Belt	1
19.1.6	WSM10X3.7X2.5	Washer	1
19.1.7	B1050M	Bolt	1
19.2	84048	Bracket,Pivot,Drive Tension,Black	1
19.3	W104008	Washer	1
19.4	WSM10X3.7X2.5	Washer,Lock,Spring	1
19.5	SH1035M	Screw	1
20	84030	Bearing,Thrust	2
21	W102015	Washer	2
22	PIFBB01	Idler,Flat	1
23	84060	Spacer,Sleeve	1
24	NM16N	Nut	1
25	GNTF4	Nipple,Grease	4
26	V36	Belt,V	1
27	AM145	Spring,Extension,Weight Compensating	2
28	AM264	Spring,Extension,Cutter Belt,Short	1
29	84157	Sub-Assy,Gearbox,Pto	1
29.1	84002	Gearbox,Angle,Pto	1
29.2	84123	Bracket,Gearbox,Inner,Front,Red	1
29.3	84124	Bracket,Gearbox,Inner,Rear,Red	1
29.4	84120	Spacer,Sleeve	1
29.5	84013	Pulley,Ci	1
29.6	84121	Spacer,Sleeve	1
29.7	84122	Bracket,Gearbox,Outer,Red	1
29.8	W104008	Washer	1
29.9	WSM10X3.7X2.5	Washer,Lock,Spring	1
29.1	B1040M	Bolt	2
29.11	WSM12X4.2X3.0	Washer,Lock,Spring	6
29.12	SH1225M	Screw	4
29.13	84032	Spacer	1
29.14	NM10NT	Nut	1
29.15	84031	Spacer	2
29.16	B1250M	Bolt	2
29.17	86018	Key	1
30	84043	Sub-Assy,Wheel	2
30.1	84016	Rim	1
30.2	TT20X1000-8	Tyre+Tube,	1
30.2.1	STU20X1000-8	Tube	1
31	NHWF07	Nut,Hex,Wheel	16

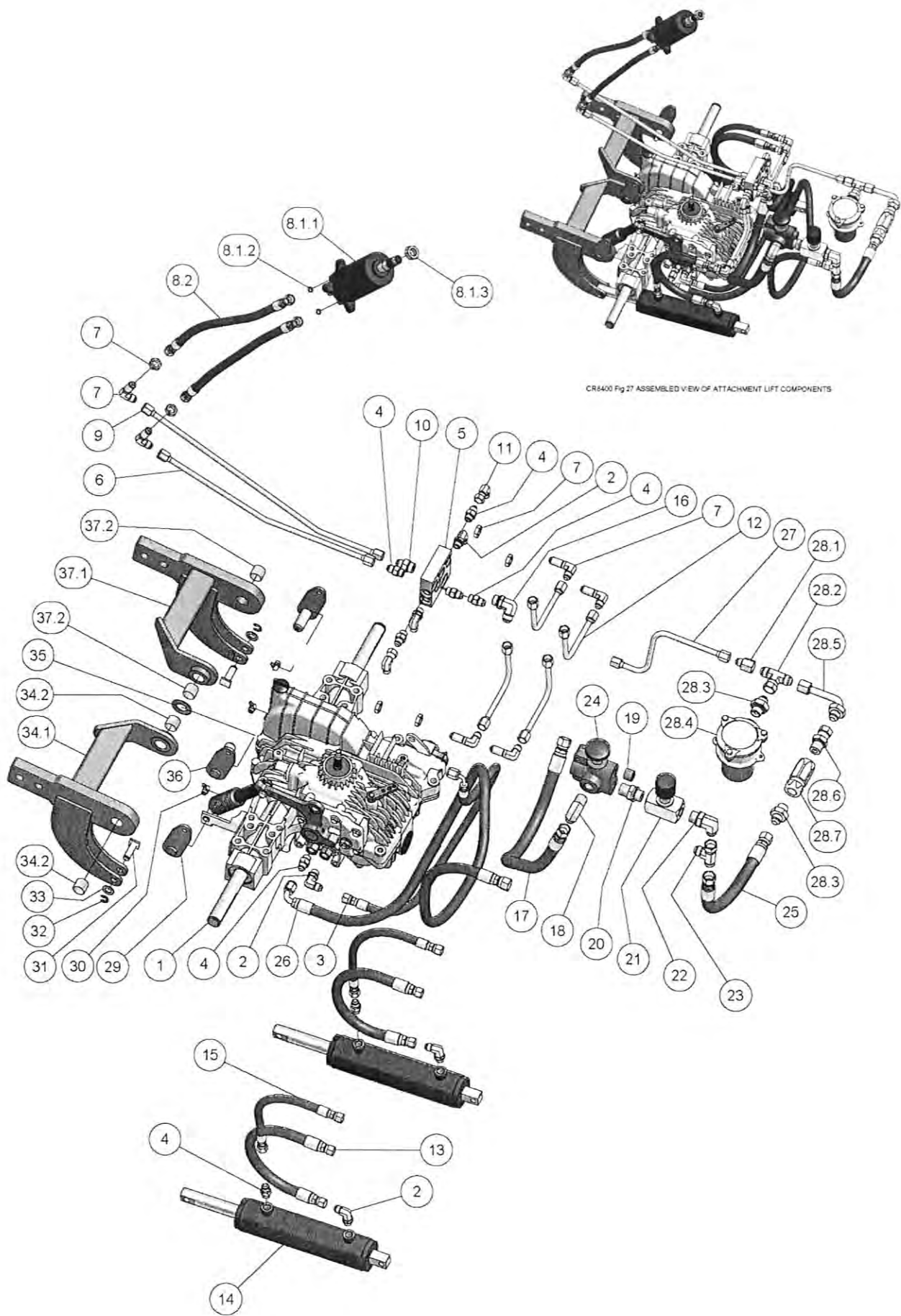


CR8400 Fig 26 EXPLODED VIEW OF STEERING COMPONENTS

CR8400 Fig 25 ASSEMBLED VIEW OF STEERING COMPONENTS

CR8400 CR8401—STEERING COMPONENTS

ITEM	PART NUMBER	DESCRIPTION	QTY
1	84040	Sub-Assy,Transaxle,Hydrostatic	1
2	84318	Fitting,Tube,Elbow,Jic Flare-Orb	5
3	84359	Assy,Hose,Hyd	1
4	84317	Fitting,Tube,Jic Flare-Orb	10
5	84254	Manifold,Hydraulic	1
6	84332	Assy,Hose,Hyd	2
7	84319	Fitting,Tube,Elbow,Bhd,Jic Flare	6
7.2	84320	Nut	1
8	84155	Sub-Assy,Console,Steering,Red	1
8.1	84005	Unit,Steer,Hydro,Danfross	1
8.1.2	84362	"O"Ring	4
8.1.3	N10FT	Nut	1
8.2	84343	Assy,Hose,Hyd	5
9	84006	Wheel,Steer,3 Spoke,14", #3 Hub,Inc Cover	1
9.2	84366	Cover,Wheel,Steer,3 Spoke,14"	1
10	84333	Assy,Hose,Hyd	1
11	84327	Assy,Tube,Hyd	1
12	84334	Assy,Tube,Tank,Return	1
13	84268	Sub-Assy,Tank,Oil,Expansion	1
13.1	84270	Fitting,Tube,Jic Flare-Swivel	1
13.2	84280	Fitting,Tube,Tee,Jic Flare-Flare-Swivel	1
13.3	84278	Fitting,Tube,Jic Flare-Bspp Orfs	2
13.4	84150	Filter,Return,Tank,Bspp	1
14	84335	Assy,Tube,Steer,Left	1
15	84336	Assy,Tube,Steer,Right	1
16	84353	Assy,Hose,Hyd	2
17	84352	Fitting,Tube,Elbow,45",Jic Flare-Swivel	2
18	84331	Fitting,Tube,Bhd,Jic Flare	2
18.2	84320	Nut	1
19	84261	Bar,Spreader,Hydraulic Line,Znpl	1
20	84338	Assy,Tube,Steer, Cylinder	2
21	84029	Sub-Assy,Axle,Steer,Red	1
21.1	84019	Sub-Assy,Beam,Axle,Steer,Red	1
21.1.1	84020	Beam,Axle,Steer,Red	1
21.1.2	AM313	Bush,Bronze	3
21.1.3	AM314	Bush,Bronze	2
21.2	84007	Cylinder,Hydraulic,Steer	1
21.3	REM12	End,Rod	2
21.4	REM12LH	End,Rod	2
21.5	84021	Sub-Assy,Hub,Wheel,4@4",Brg 6304,Black	2
21.5.1	84022	Hub,Wheel	1
21.5.2	AM072	Sleeve,Spacer,Bearing	1
21.5.3	84023	Tab,Lock,4 Bolt	1
21.5.4	SH0720F	Screw	4
21.5.5	BB205215	Bearing,Ball	2
21.6	84035	Stud	2
21.7	84310	Axel,Stub,Left,Red	1
21.8	84312	Axel,Stub,Right,Red	1
21.9	84030	Bearing,Thrust	2
21.1	84027	Bracket,Locate,Cylinder,Left,Red	1
21.11	84028	Bracket,Locate,Cylinder,Right,Red	1
21.12	14035	Bush,Square	2
21.13	84036	Rod,Guide,Crpl	1
21.14	84037	Link,Guide,Right	1
21.15	84038	Link,Guide,Left	1
21.16	84024	Rod,Link,Steer	2
21.17	NM12	Nut	2
21.18	NM12LH	Nut	2
21.19	AM336	Washer,Sealing,Shaft	2
21.2	NM10NT	Nut	4
21.21	NM12NT	Nut	4
21.22	WSM10X3.7X2.5	Washer,Lock,Spring	6
21.23	NM10	Nut	4
21.24	NM6NT	Nut	4
21.25	B0625M	Bolt	4
21.26	13247	Washer	2
21.27	SH1025M	Screw	2
21.28	CHG02	Cap,Hub,Grease	2
21.29	C02	Circlip,Ext,"E"Type	2
21.3	DEC146	Decal,Grease Lubrication Point	2
21.31	GNTF3	Nipple,Grease,Straight	2
22	84295	Sub-Assy,Pin,Pivot,Axle,Red	1
22.1	84141	Pin,Pivot,Axle,Red	1
22.2	GNTF3	Nipple,Grease,Straight	1
23	84044	Sub-Assy,Wheel	2
23.1	84015	Rim	1
23.2	TT16X 750-8	Tyre+Tube	1
23.2.1	STU16X 750-8	Tube	1
24	NHWF07	Nut	8

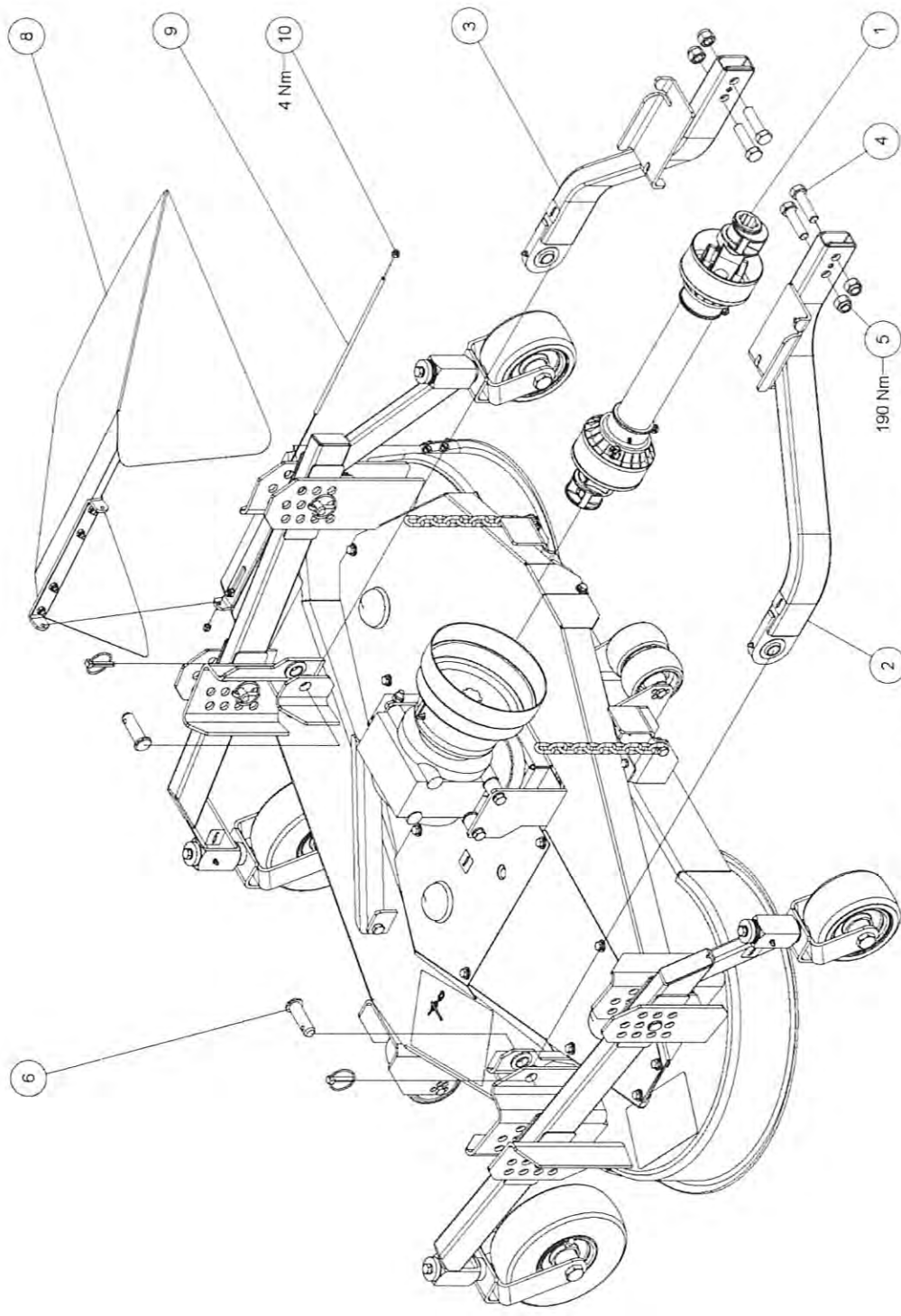


CR8400 Fig 27 ASSEMBLED VIEW OF ATTACHMENT LIFT COMPONENTS

CR8400 Fig 28 EXPLODED VIEW OF ATTACHMENT LIFT COMPONENTS

CR8400 CR8401—ATTACHMENT LIFT COMPONENTS

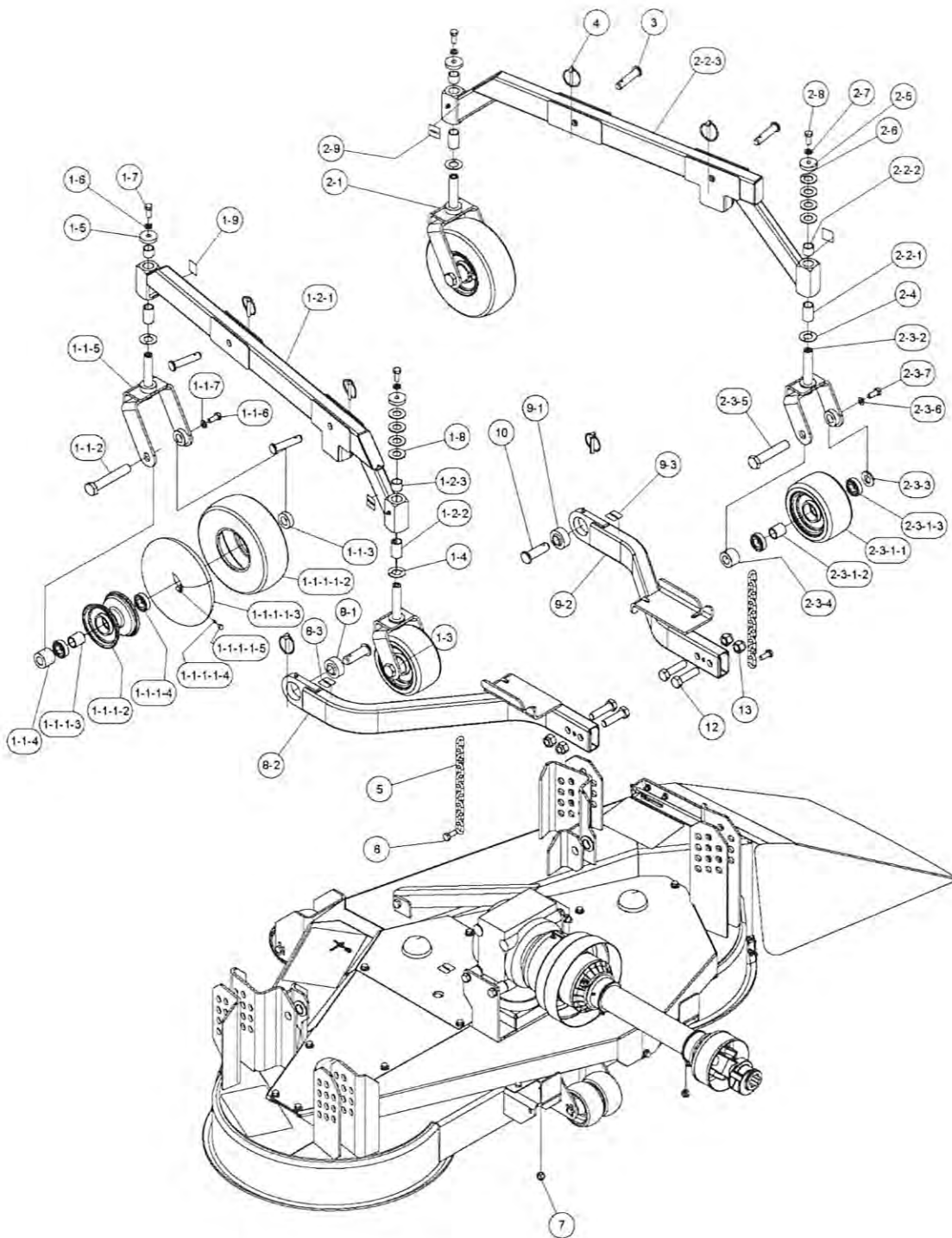
ITEM	PART NUMBER	Description	QTY
1	84040	Sub-Assy,Transaxle,Hydrostatic	1
2	84318	Fitting,Tube,Elbow,Jic Flare-Orb	5
3	84359	Assy,Hose,Hyd	1
4	84317	Fitting,Tube,Jic Flare-Orb	15
5	84254	Manifold,Hydraulic	1
6	84332	Assy,Hose,Hyd	2
7	84319	Fitting,Tube,Elbow,Bhd,Jic Flare	11
8	84155	Sub-Assy,Console,Steering,Red	1
8.1	84005	Unit,Steer,Hydro,Danfross	1
8.1.1		Body,Unit,Steer,Hydro,Danfross	1
8.1.2	84362	ORing	5
8.1.3	N10FT	Nut	1
8.2	84343	Assy,Hose,Hyd	5
9	84326	Assy,Hose,Hyd	1
10	84323	Fitting,Tube,Jic Flare-Orb	1
11	84324	Fitting,Tube,Elbow,Jic Flare-Swivel	2
12	84328	Assy,Hose,Hyd	4
13	84348	Assy,Hose,Hyd	2
14	84008	Cylinder,Hydraulic,Lift	2
15	84349	Assy,Hose,Hyd	2
16	84325	Fitting,Tube,Elbow,Jic Flare-Orb	1
17	84356	Assy,Hose,Hyd	1
18	84341	Fitting,Tube,Elbow,Jic Flare-Bspt	1
19	84360	Plug,Pipe,Hex Soc,Bspt	1
20	84339	Fitting,Pipe,Bspt-Bspp Orfs	1
21	84152	Valve,Needle,Bspp	1
22	84340	Fitting,Tube,Elbow,Jic Flare-Bspp Orfs	1
23	84342	Fitting,Tube,Tee,Jic Flare-Swivel-Jic Flare	1
24	84153	Valve,Hyd,Impliment,Lift,Bspt	1
25	84355	Assy,Hose,Hyd	1
26	84358	Assy,Hose,Hyd	1
27	84334	Assy,Tube,Tank,Return	1
28	84268	Sub-Assy,Tank,Oil,Expansion	1
28.1	84270	Fitting,Tube,Jic Flare-Swivel	1
28.2	84280	Fitting,Tube,Tee,Jic Flare-Flare-Swivel	1
28.3	84278	Fitting,Tube,Jic Flare-Bspp Orfs	2
28.4	84150	Filter,Return,Tank,Bspp	1
28.5	84269	Fitting,Tube,Elbow,Long,Jic Flare-Swivel	1
28.6	84282	Fitting,Tube,Jic Swivel-Bspp Orfs	1
28.7	84281	Valve,Check/Relief,Line,Bspp	1
29	84156	Axle,Impliment Arm,L=37,Red	2
30	GNTF4	Nipple,Grease,90 Deg,Bspt	4
31	84078	Pin,Lift Cylinder	2
32	C01	Circlip,Ext,"E" Type	4
33	W12MN	Washer	2
34	84009	Sub-Assy,Arm,Impliment,Left,Red	1
34.1	84011	Arm,Impliment,Left,Red	1
34.2	AM314	Bush,Bronze	2
35	84030	Bearing,Thrust	2
36	84179	Axle,Implement Arm, L=58,Red	1
37	84010	Sub-Assy,Arm,Impliment,Right,Red	1
37.1	84012	Arm,Impliment,Right,Red	1
37.2	AM314	Bush,Bronze	2



C8601 - Fig 2 EXPLODED VIEW OF LOOSE PARTS

C8601— LOOSE PARTS

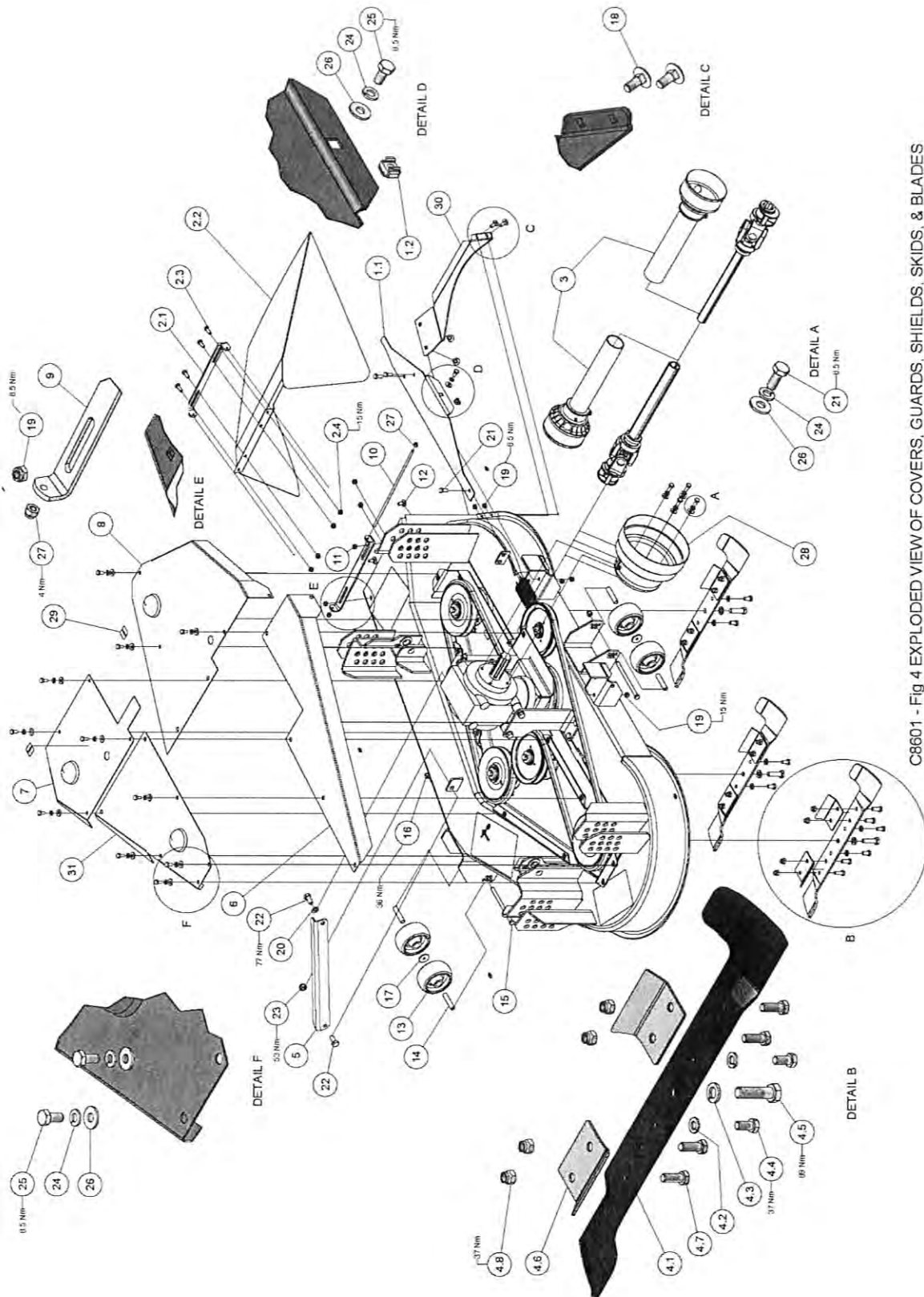
ITEM	PART NUMBER	DESCRIPTION	QTY
1	84003	Shaft,Drive,Pto	1
2	86063	Sub-Assy,Link,Implement,Left,Red	1
3	86065	Sub-Assy,Link,Implement,Right,Red	1
4	B1660M	Bolt	4
5	NM16N	Nut	4
6	84045	Pin	2
7	PL08	Pin,Lynch	2
8	86034	Sub-Assy,Deflector,Discharge	1
9	86037	Pin,Hinge,Deflector	1
10	N04CN	Nut	2



C8601 - Fig 3 EXPLODED VIEW OF SUSPENSION COMPONENTS

C8601– SUSPENSION COMPONENTS

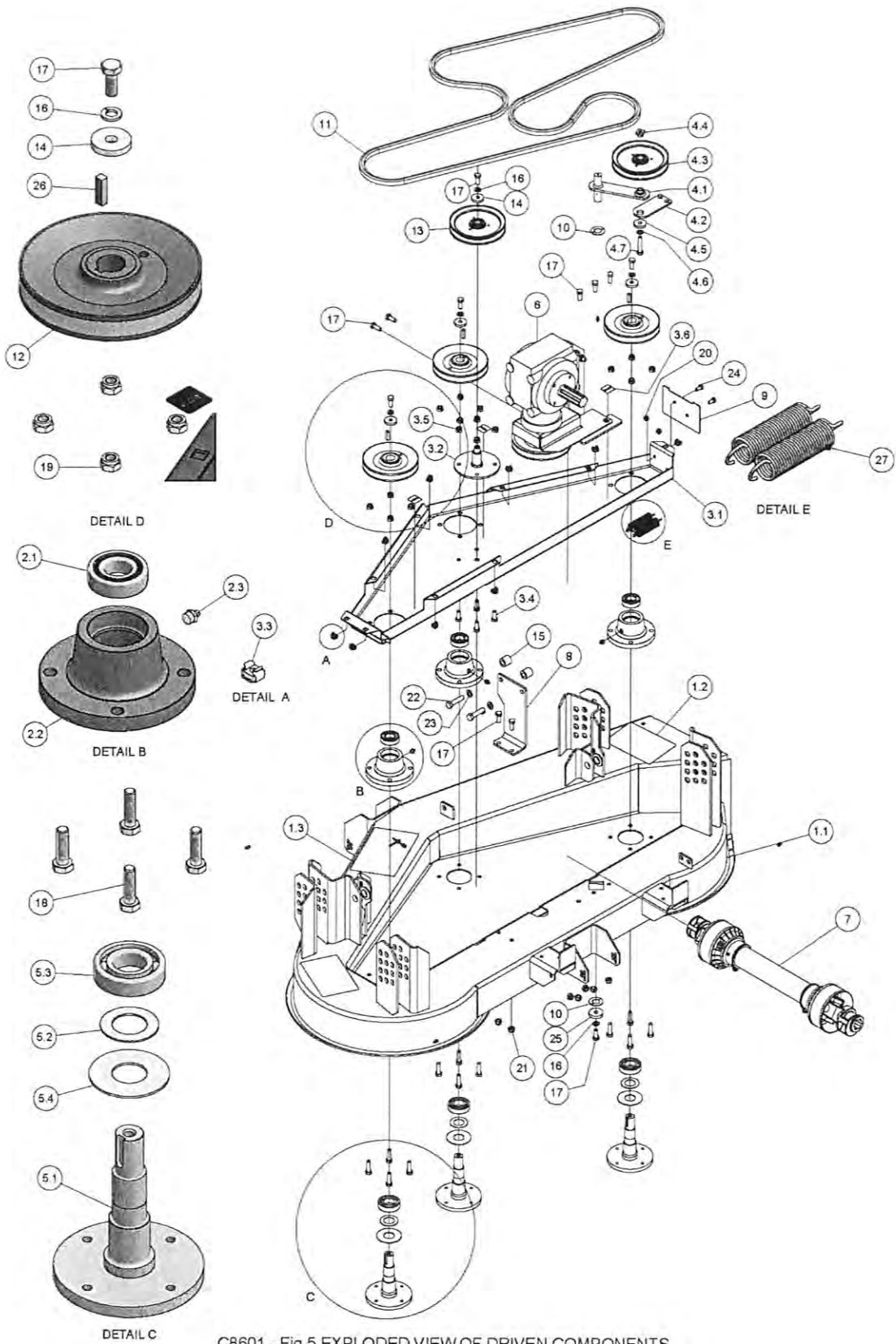
ITEM	PART NUMBER	DESCRIPTION	QTY
1	86038	Sub-Assy,Suspension,Left,Red	1
1-1	86044	Sub-Assy,Castor	1
1-1-1	86060	Sub-Assy,Wheel,Red	1
1-1-1-1	TT 9x 350- 4	Tyre+Tube	1
1-1-1-1-1	TU 9x 350- 4	Tube+Core+Cap	1
1-1-1-2	86050	Rim,Red	1
1-1-1-3	AM021	Sleeve,Spacer,Bearing	1
1-1-1-4	BB204212N	Bearing,Ball	2
1-1-2	86045	Axle,Wheel	1
1-1-3	86046	Spacer,Sleeve	1
1-1-4	86047	Spacer,Sleeve	1
1-1-5	86048	Frame,Castor, Red	1
1-1-6	SH1025M	Screw	1
1-1-7	WSM10X3.7X2.5	Washer,Lock,Spring	1
1-2	86049	Sub-Assy,Beam,Suspension,Left,Red	1
1-2-1	86043	Beam,Suspension,Left,Red	1
1-2-2	AM313	Bush,Bronze	2
1-2-3	AM314	Bush,Bronze	2
1-3	86053	Sub-Assy,Castor,Red	1
1-4	84030	Bearing,Thrust	2
1-5	W104008	Washer	2
1-6	WSM10X3.7X2.5	Washer,Lock,Spring	2
1-7	SH1025M	Screw	2
1-8	W20390	Washer	4
1-9	DEC146	Decal,Grease Lubrication Point	2
1-10	GNTF3	Nipple,Grease	2
2	86039	Sub-Assy,Suspension,Right,Red	1
2-1	86044	Sub-Assy,Castor,Red	1
2-2	86051	Sub-Assy,Beam,Suspension,Right,Red	1
2-2-1	AM313	Bush,Bronze	2
2-2-2	AM314	Bush,Bronze	2
2-2-3	86052	Beam,Suspension,Right,Red	1
2-3	86053	Sub-Assy,Castor	1
2-3-1	86061	Sub-Assy,Wheel,Red	1
2-3-1-1	86059	Wheel,Al Brg Hub,Red	1
2-3-1-2	AM021	Sleeve,Spacer,Bearing	1
2-3-1-3	BB204212N	Bearing,Ball	2
2-3-2	86058	Frame,Castor,Red	1
2-3-3	86055	Spacer,Sleeve	1
2-3-4	86056	Spacer,Sleeve	1
2-3-5	86057	Axel,Wheel	1
2-3-6	WSM10X3.7X2.5	Washer,Lock,Spring	1
2-3-7	SH1025M	Screw	1
2-4	84030	Bearing,Thrust	2
2-5	W104008	Washer	2
2-6	W20390	Washer	4
2-7	WSM10X3.7X2.5	Washer,Lock,Spring	2
2-8	SH1025M	Screw	2
2-9	DEC146	Decal,Grease Lubrication Point	2
2-10	GNTF3	Nipple,Grease	2
3	86054	Pin,Clevis	4
4	PL06	Pin,Lynch	4
5	86040	Chain,Suspension	2
6	SH1025M	Screw	14
7	NM10NT	Nut	9
8	86063	Sub-Assy,Link,Implement,Left,Red	1
8-1	JB20	Joint,Ball,Stl,Bronze Bush	1
8-2	86064	Arm,Link,Impliment,Left,Red	1
8-3	DEC146	Decal,Grease Lubrication Point	1
8-4	GNTF3	Nipple,Grease	1
9	86065	Sub-Assy,Link,Implement,Right,Red	1
9-1	JB20	Joint,Ball,Stl,Bronze Bush	1
9-2	86066	Arm,Link,Implement,Right,Red	1
9-3	DEC146	Decal,Grease Lubrication Point	1
9-4	GNTF3	Nipple,Grease	1
10	84045	Pin,Clevis	2
11	PL08	Pin,Lynch	2
12	B1660M	Bolt	4
13	NM16N	Nut	4



C8601 - Fig 4 EXPLODED VIEW OF COVERS, GUARDS, SHIELDS, SKIDS, & BLADES

C8601—COVER, GUARDS, SHIELDS, SKIDS & BLADES

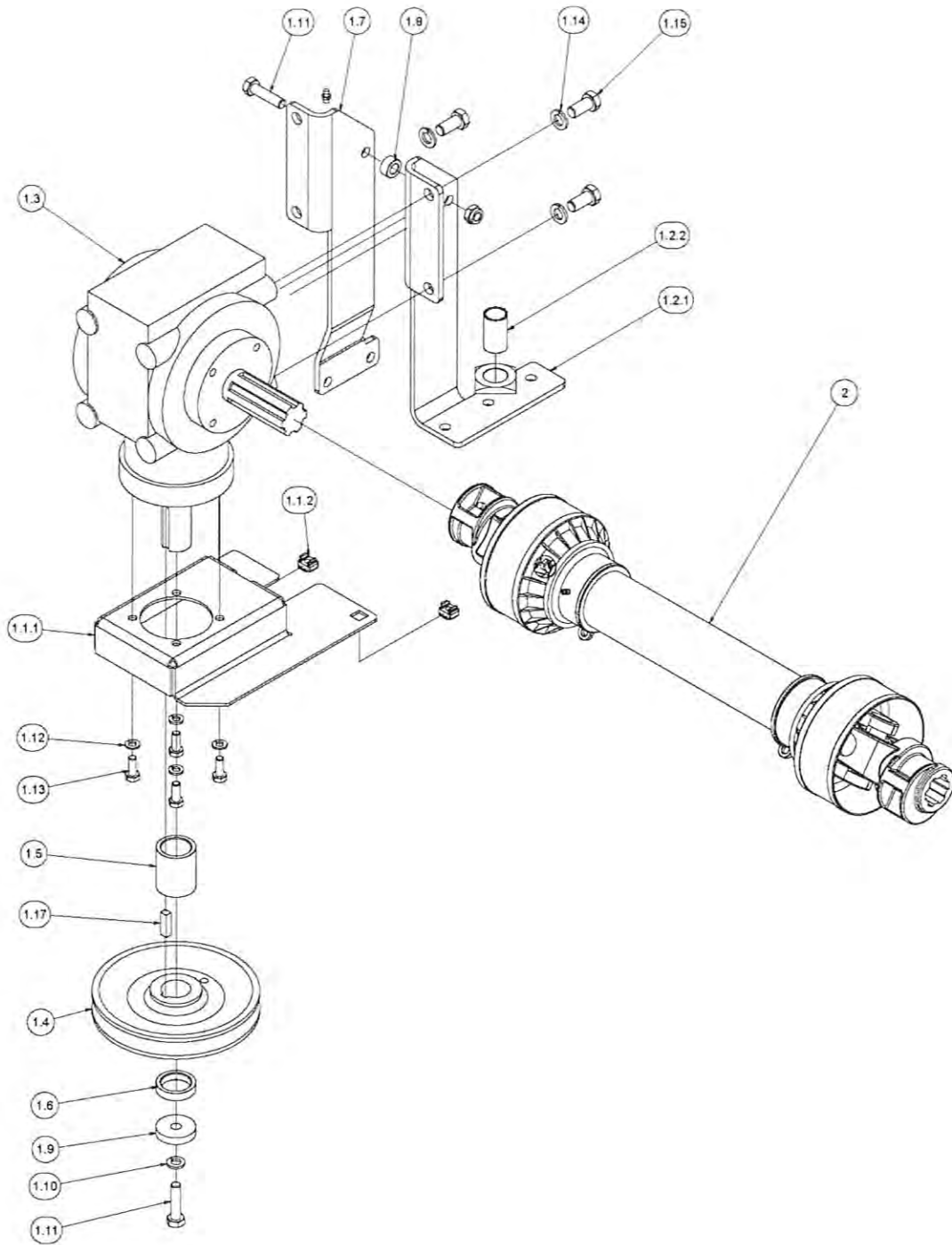
Item	Part Number	Description	Qty
1	86016	Sub-Assy,Bracket,Cover,Rear	1
1.1	86015	Bracket,Cover,Rear,Red	1
1.2	NCM8X3.2	Nut,Cage	1
2	86034	Sub-Assy,Deflector,Discharge	1
2.1	86035	Bracket,Deflector	1
2.2	86021	Panel,Deflector,Red	1
2.3	SH0820M	Screw	4
2.4	NM8NT	Nut	4
3	84003	Shaft,Drive,Pto	1
4	KIT165	Kit,Blade+Fasteners,Bar,517dia,Conquest	3
4.1	86017	Blade	1
4.2	WS06081.5	Washer,Lock,Spring	2
4.3	WS081208	Washer.Lock,Spring	1
4.4	SH0612C	Screw	2
4.5	B0828C	Bolt	1
4.6	86069	Flute,Mower Blade	2
4.7	SH0616C	Screw	4
4.8	NF06CN	Nut	4
5	86010	Strut,Gearbox,Red	1
6	86026	Cover,Left,Rear,Red	1
7	86020	Cover,Centre,Red	1
8	86027	Cover,Right,Red	1
9	86036	Bracket,Base,Znpl	1
10	86037	Pin,Hinge,Deflector	1
11	NM8NT	Nut	1
12	BCHSNM8X20	Bolt,Cup,Sq Neck	1
13	AM25703H	Wheel, 4"X2",Hub	4
14	AM258	Sleeve	4
15	B0688C	Bolt	2
16	NF06CN	Nut	2
17	W052003	Washer	2
18	BCHSNM8X20	Bolt,Cup,Sq Neck	5
19	NM8NT	Nut	10
20	WSM12X4.2X3.0	Washer,Lock,Spring	3
21	SH0820M	Screw	7
22	SH1225M	Screw	2
23	NM12NT	Nut	1
24	WS050216	Washer,Lock,Spring	16
25	SH0816M	Screw	14
26	W05M202	Washer	16
27	N04CN	Nut	2
28	86062	Shield,Imput,Connection,Gearbox,Machine	1
29	DEC146	Decal,Grease Lubrication Point	2
30	86019	Brace,Skid,Discharge Opening,Red	1
31	86025	Cover,Left,Front,Red	1



C8601 - Fig 5 EXPLODED VIEW OF DRIVEN COMPONENTS

C8601—DRIVEN COMPONENTS

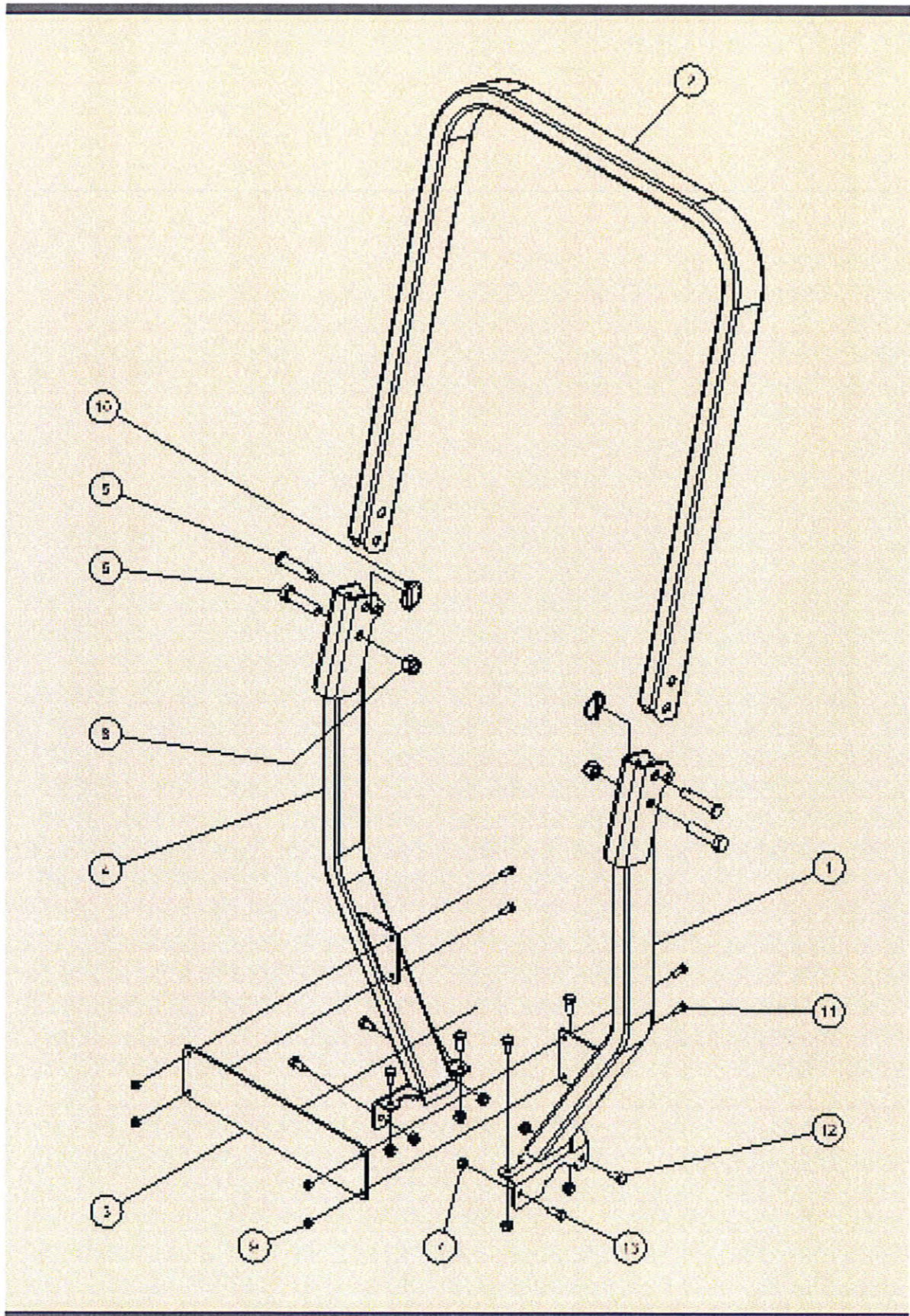
ITEM	PART NO.	DESCRIPTION	QTY
1	86068	Housing, Cutter,1475, Conquest, Inc Decals	1
1.1		Housing, Cutter,1475(58"), Red	1
1.2	DEC116	Decal, Danger, Mowing Attachment	2
1.3	DEC144	Decal, Conquest, Mowing Attachment	1
2	86002	Sub-Assy, Unit, Flanged, Bearing	3
2.1	BB255215N	Bearing, Ball	1
2.2	86003	Housing, Flanged, Bearing	1
2.3	GNTF5	Nipple, Grease	1
3	86004	Sub-Assy,Mount,Cover	1
3.1	86005	Panel,Mount,Cover,Red	1
3.2	86006	Pillar,Mount,Idler,Red	1
3.3	NCM8X3.2	Nut,Cage	9
3.4	SH1025M	Screw,Hex	4
3.5	NM10NT	Nut,Hex,Nyloc,Thin	4
3.6	DEC146	Decal,Grease Lubrication Point	3
4	86030	Sub-Assy,Tensioner,V Belt	1
4.1	86033	Arm,Tensioning,V Belt,Black	1
4.2	86031	Plate,Spring,Twin	1
4.3	PIVBB01	Idler,V Belt	1
4.4	84014	Boss,Idler,16dia,5high,M10,Znpl	1
4.5	W103506	Washer,Flat,Black	1
4.6	WSM10X3.7X2.5	Washer,Lock,Spring	1
4.7	B1050M	Bolt,Hex	1
4.8	GNTF3	Nipple,Grease	1
5	86007	Sub-Assy,Spindle,Cutter,1475(58"),Bare	3
5.1	86008	Spindle,Cutter	1
5.2	86012	Spacer,Shield,Bearing,30x51x1.6,Znpl	1
5.3	BB306216N	Bearing,Ball	1
5.4	86013	Shield,Seal,Bearing,30x70x2.0,Znpl	1
6	86011	Sub-Assy,Gearbox,Attachment	1
7	84003	Shaft,Drive,Pto	1
8	86024	Bracket,Gearbox,Side,Red	1
9	86029	Plate,End,Well,Red	1
10	84030	Bearing,Thrust,21x40x1.5,Brass	2
11	V35	Belt,V	1
12	86014	Pulley,Ci,25xb150,Black	3
13	PIVBB01	Idler,V Belt	1
14	W103506	Washer	4
15	84031	Spacer,13x25x25,Znpl	2
16	WSM10X3.7X2.5	Washer,Lock,Spring	5
17	SH1025M	Screw,Hex	14
18	B1035M	Bolt,Hex	12
19	NM10NT	Nut,Hex	12
20	NM8NT	Nut,Hex	10
21	NM10NT	Nut,Hex,Nyloc,Thin	9
22	B1250M	Bolt,Hex	2
23	WSM12X4.2X3.0	Washer,Lock,Spring	3
24	SH0816M	Screw,Hex	14
25	W104008	Washer	1
26	86018	Key,8x7x27,Bare	3
27	AM145	Spring,Extension,Weight Compensating	2



C8601 - Fig 6 EXPLODED VIEW OF DRIVE COMPONENTS

C8601—DRIVE COMPONENTS

ITEM	PART NUMBER	DESCRIPTION	QTY
1	86011	Sub-Assy, Gearbox, Attachment	1
1.1	86032	Sub-Assy, Guard, Shaft, Output	1
1.1.1	86028	Guard, Shaft, Output, Red	1
1.1.2	NCM8X3.2	Nut, Cage	2
1.2	86022	Bracket, Mount, Gear Box, Right, Rear	1
1.2.1	86009	Bracket, Mount, Gear Box, Right, Rear, Red	1
1.2.2	AM313	Bush, Bronze	1
1.3	84002	Gearbox, Angle, Pto, Black	1
1.4	84013	Pulley, Ci, 30xb 160, Black	1
1.5	86041	Spacer, Sleeve	1
1.6	86042	Spacer, Sleeve	1
1.7	86023	Bracket, Gearbox, Front, Red	1
1.8	84032	Spacer	1
1.9	W104008	Washer	1
1.10	WSM10X3.7X2.5	Washer, Lock, Spring	1
1.11	B1040M	Bolt	2
1.12	WS050216	Washer, Lock, Spring	4
1.13	SH0820M	Screw	4
1.14	WSM12X4.2X3.0	Washer, Lock, Spring	3
1.15	SH1225M	Screw, Hex, M12x 25, Pc8.8, Znpl	3
1.16	NM10NT	Nut	1
1.17	86018	Key	1
2	84003	Shaft, Drive, Pto	1



C8701—2 POST FOLD DOWN R.O.P.S. COMPONENTS

ITEM	PART NUMBER	DESCRIPTION	QTY
1	84255	Post,Rops,Left,Black	1
2	84256	Bend,Upper,Rops,Black	1
3	84257	Brace,Rops,Black	1
4	84260	Post,Rops,Right,Black	1
5	86054	Pin,Clevis	2
6	B1665M	Bolt	2
7	NM10NT	Nut	8
8	NM16N	Nut	2
9	NM8NT	Nut	4
10	PL06	Pin,Lynch	2
11	SH0820M	Screw	4
12	SH1020M	Screw	5
13	SH1025M	Screw	2
14	SH1030M	Screw	1



Cox Industries (Australia) Pty Ltd

**70 Landseer Street
Acacia Ridge Qld 4110
P.O. Box 6266DC Acacia Ridge Q 4110
Australia
PH 07 3323 2222 FAX 07 3344 6233**

Web Site Address: www.coxmowers.com.au

Email: sales@cox-mowers.com.au