

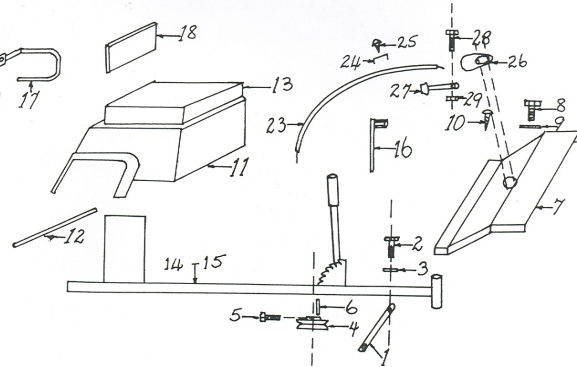
**MOW MOBILE
8-28**

1968 – 1972

7HP & 8HP 28" CUT

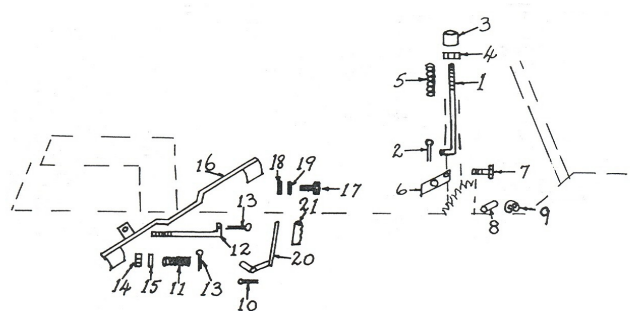
8-28 GROUP 11: CHASSIS & COMPONENTS

RefPart No No	Description
1 502	Engine Mounting Bolt Plate (2) NLA
2 B0524C	Engine Mounting Bolt (4)
3 W05S	Engine Mtg Bolt S/proof Washer (4)
4 3007	Engine Pulley NLA
5 SS0408W	Engine Pulley Set Screw NLA
6 S152008B6	Engine Pulley & Cutter Disc Key NLA
7 508	Front Mudguard NLA
8 B0410C	Front Mudguard Bolt NLA
9 W05S	Front Mudguard Shakeproof Washer NLA
10 ST1010	Front Mudguard P.K. Cover
11 512	Drive Assembly Cover NLA
12 513	Drive Assy Cover Hinge Pin NLA
13 514	Seat NLA
14 535	Outer Frame (Main Chassis) NLA
15 536	Inner Frame w/- Ht Adj Lever NLA
16 AM005G0	Spark Plug Spanner
17 515	Seat Back Rest NLA
18 519	Seat Back Rest Pad NLA
19 ST1010	Rest Pad Ret P.K. Screw (2)
20 B0420C	Back Rest Retaining Bolt (2)
21 W04S	Back Rest Ret S/p Washer (2)
22 N04C	Back Rest Retaining Bolt Nut (2)
23 683	Throttle Cable NLA
24 AM087	Throttle Cable Ret U Bracket
25 ST1010	Cable Ret U Brkt P.K. Screw
26 684	Throttle Lever Mtg Bracket NLA
27 685	Throttle Lever NLA
28 SR0408W	Throttle Lever Pivot Bolt NLA
29 N04C	Throttle Lever Pivot Bolt Nut



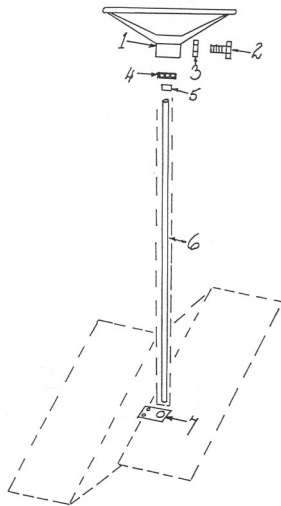
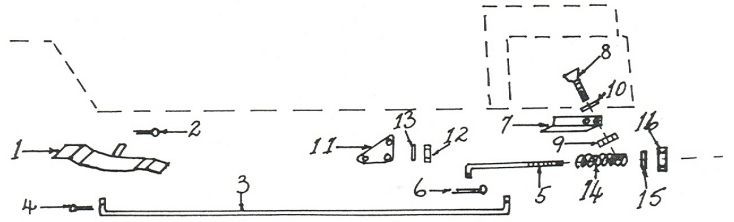
8-28 GROUP 12: RIGHT HAND SIDE OF CHASSIS

RefPart No No	Description
1 652	Height Adjustment Pawl Push Rod NLA
2 CP3-220	Height Adjustment Pawl Push Rod Split Pin
3 654	Height Adjustment Pawl Push Rod Button NLA
4 N04C	Height Adjustment Pawl Push Rod Button Lock Nut
5 AM012	Height Adjustment Pawl Push Rod Spring
6 3137	Height Adjustment Pawl NLA
7 B0512C	Height Adjustment Pawl Pivot Bolt
8 659	Height Adjustment Roller NLA
9 660	Height Adjustment Roller Ret Circlip NLA
10 CP3-220	Hand Brake Lever Retaining Split Pin
11 663	Hand Brake Pedal Pull Rod Spring NLA
12 664	Pedal Pull Rod (Threaded) NLA
13 CP3-220	Pedal Pull Rod & Rod Spring Ret Split Pin
14 N05C	Hand Brake Pedal Pull Rod Adj Nut
15 W051216	Hand Brake Pedal Pull Rod Washer
16 668	Brake Pad Assembly NLA
17 B0416C	Brake Pad Assembly Retaining Bolt
18 N04C	Brake Pad Assembly Retaining Nut
19 W04S	Brake Pad Assembly Shakeproof Washer
20 456A	Hand Brake Lever NLA
21 661A	Hand Brake Lever Grip NLA



8-28 GROUP 13: LEFT HAND SIDE OF CHASSIS

RefPart No	No	Description
1	546	Foot Clutch Pedal NLA
2	CP3-220	Foot Clutch Pedal Retaining Split Pin
3	548	Foot Clutch Control Rod Long NLA
4	CP3-220	Control Rod Retaining Split Pin
5	550	Clutch Control Rod (Threaded) NLA
6	CP3-220	Foot Clutch Control Rod Split Pin
7	552	Control Rod Mtg Bracket NLA
8	SC0408W	Foot Clutch Control Rod Mtg Bracket Set Screw NLA
9	N04C	Foot Clutch Control Rod Mounting Bracket Nut
10	W04S	Foot Clutch Control Rod Mounting Bracket S/proof Washer
11	AM008	Foot Clutch Control Rod Pivot Plate NLA
12	N06CN	Foot Clutch Control Rod Pivot Plate Nyloc Nut
13	W061216	Foot Clutch Control Rod Pivot Plate Washer
14	570	Variable Speed Spring NLA
15	W051216	Variable Speed Spring Washer
16	N05CN	Variable Speed Spring Adjuster Nyloc Nut

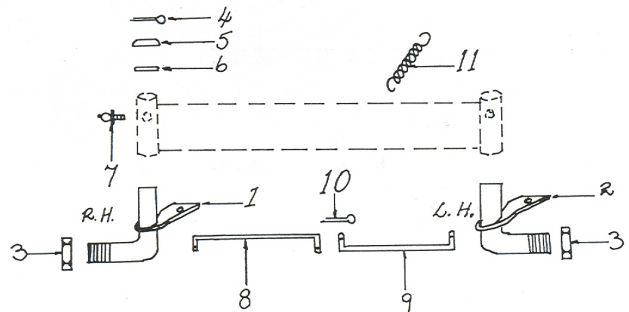


8-28 GROUP 15: STEERING COMPONENTS

RefPart No	No	Description
1	839	Steering Wheel NLA
2	SS0516W	Steering Wheel Retaining Set Screw (2) NLA
3	N05C	Steering Wheel Retaining Set Screw (2)
4	544	Steering Column Bearings NLA
5	546	Steering Column Spacer Washer NLA
6	543	Steering Column Shaft NLA
7	545	Steering Column Pivot Plate NLA

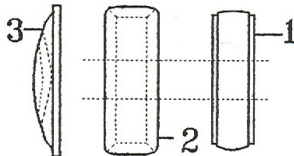
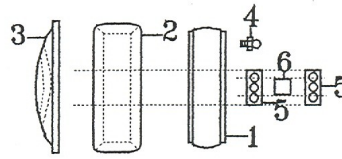
8-28 GROUP 16: FRONT AXLE COMPONENTS

RefPart No	No	Description
1	631	R/H Stub Axle NLA
2	630	L/H Stub Axle NLA
3	SNT12F	Front Wheel Retaining Nut (2) NLA
4	CP3-225	Front Stub Axle Split Pin (2)
5	AM069	Axle Felt Dust Seal Ret Cup Washer (2)
6	632	Front Stub Axle Felt Dust Seal (2) NLA
7	GNTF3	Front Stub Axle Grease Nipple (2)
8	637	Tie Rod R/H NLA
9	636	Tie Rod L/H NLA
10	CP3-220	Tie Rod Split Pin (2)
11	AM145	Cutter Hd Weight Compensating Spring



8-28 GROUP 17: FRONT WHEEL COMPONENTS

RefPart No No	Description
1 272	Front Wheel Bare (2) NLA
2 3120	Front Wheel Tyre (2) NLA
3 S151803B6	Front Wheel Hub Cap (2)
4 GNTF3	Front Wheel Grease Nipple (2)
5 BB1226-I	Front Wheel Bearing (4) NLA
6 AM021	Front Wheel Bearing Spacer (2)
7 W204114M	Front Wheel Bearing Dust Washer (2) NLA

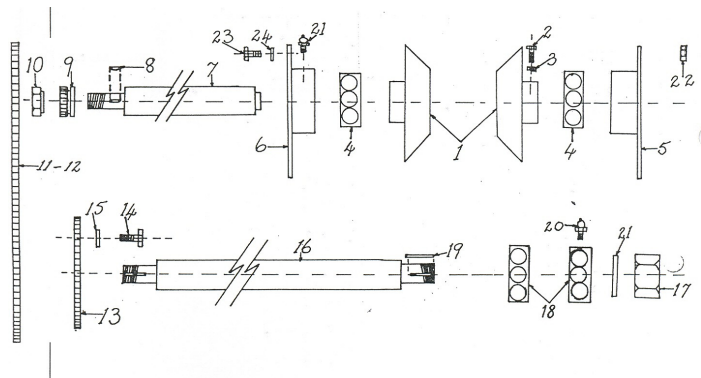


8-28 GROUP 18: REAR WHEEL COMPONENTS

RefPart No No	Description
1 611	Rear Wheel Bare L/H NLA
612	Rear Wheel Bare (Plain) R/H NLA
2 S151802B6	Rear Tyre (2) NLA
3 S151803B6	Rear Wheel Hub Cap (2) NLA

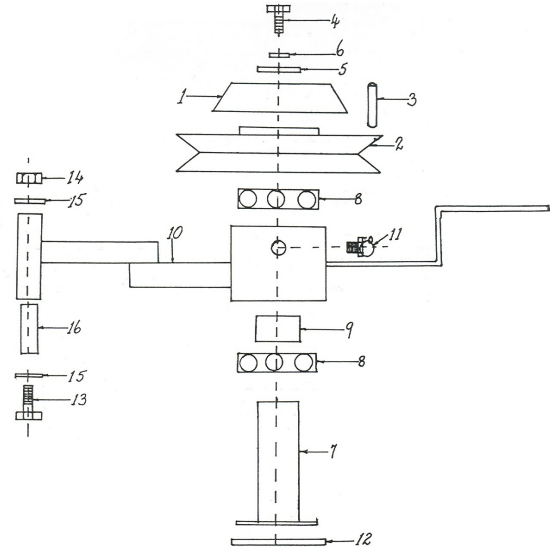
8-28 GROUP 19: DRIVE COMPONENTS

RefPart No No	Description
1 021903	Clutch Plate (2) NLA
2 SS0612W	Clutch Plate Set Screw (4)
4 BB205215NS	Intershaft Bearing 20mm (2)
5 595	R/H Bearing Hsg Intershaft NLA
6 594	L/H Bearing Hsg Intershaft NLA
7 592	Intershaft NLA
8 SK03	Small Sprocket Key
9 602	Small Sprocket NLA
10 SAM022	Small Sprocket Retaining Nut
11 600	Chain including Link NLA
12 601	Connecting Link NLA
13 605	Large Sprocket NLA
14 B0516C	Large Sprocket Bolt (3)
15 W05S	Large Sprocket Bolt Shakeproof Washer (3)
16 616	Rear Axle NLA
17 SNT12F	Rear Axle Retaining Nut (2) NLA
18 BB1226-I	Rear Axle Bearing (2) NLA
19 619	Rear Axle Key (2) NLA
20 GNTF3	Rear Axle Bearing Grease Nipple (2)
21 GNTF3	Intershaft Bearing Housing Grease Nipple (2)
22 N08W	Intershaft Bearing Housing Tie Bar Lock Nut (2) NLA
23 B0512C	Intershaft Bearing Housing Bolt (4)
24 W051216	Intershaft Bearing Housing Bolt Washer (4)
25 W12S	Rear Axle Retaining Nut Shakeproof Washer (4) NLA



8-28 GROUP 20: CLUTCH ARM & COMPONENTS

RefPart No No	Description
1 3081A	Clutch Cone NLA
2 3080	Clutch Cone Pulley NLA
3 AM026	Clutch Cone Pulley Key
4 B0616F	Clutch Cone Retaining Bolt NLA
5 W061216	Clutch Cone Ret Bolt Flat Washer
6 W06S	Clutch Cone Ret Bolt S/p Washer NLA
7 3077	Clutch Shaft NLA
8 BB1226-I	Clutch Shaft Bearing (2) NLA
9 AM072	Clutch Shaft Bearing Spacer
10 582	Clutch Arm NLA
11 GNTF8	Clutch Arm Grease Nipple NLA
12 583A	Clutch Arm Assy Welsh Plug NLA
13 B0640C	Clutch Arm Pivot Bolt
14 N06CN	Clutch Arm Pivot Bolt Nyloc Nut
15 W061216	Clutch Arm Pivot Bolt Washer (2)
16 091203	Clutch Arm Pivot Bush NLA



8-28 GROUP 21: CUTTER HOUSING COMPONENTS

RefPart No No	Description
1 521	Cutter Disc Housing NLA
2 B0528W	Cutter Disc Housing Ret Bolt (5) NLA
B0524C	Cutter Disc Housing Ret Bolt (5)
B0512C	Cutter Disc Housing Ret Bolt (5)
3 N05CN	Cutter Disc Hsg Ret Bolt Nut (8)
4 526	Cutter Disc NLA
5 SH0720F	Cutter Disc Ret Bolt
6 W07S	Cutter Disc Ret Bolt S/p Washer
7 SMB150S	Blades Stepped (2)
SMB150A	Blades Thrower Type
8 SKIT01D1	Blade Bolt & Nut Set
9 533	Windrower NLA
10 N04C	Windrower Retaining Nut
11 VA53	Vee Belt NLA
12 258	Jockey Wheel (Bushed) (2) NLA
13 S151702B6	Jockey Wheel Tyre (2) NLA
14 S151705B6	Jockey Wheel Hub Cap (2) NLA
15 SAM017	Jockey Wheel Bush (2) NLA
16 644	Jockey Wheel Felt Dust Seal (2) NLA
17 645	Wheel Felt Dust Seal Retaining Washer (2) NLA
18 646	Jockey Wheel External Dust Shield (2) NLA
19 W091816	Jockey Wheel Retaining Washer (2) NLA
20 CP3-220	Jockey Wheel Retaining Split Pin (2)
21 3146	Jockey Wheel Axle (2) NLA
22 N06CN	Jockey Wheel Axle Retaining Nut (2)
23 W061216	Jockey Wheel Axle Retaining Nut Plain Washer (2)

