



**04 CUB
Rider Mower**

1980 - 1986

'COX CUB' RIDER MOWER**OPERATING AND MAINTENANCE INSTRUCTIONS****IMPORTANT**

This Machine is not recommended for Commercial or Semi-Commercial Use.

When starting engine do not have foot resting on clutch pedal.

Keep feet and hands clear of underside of machine when starting operating machine.

Do not use with broken or bent blades or damaged Cutter Disc otherwise damage may result from vibration. Replace blades only in pairs to maintain correct balance.

Check all bolts and nuts after first hour of running to ensure trouble-free service and adjust engine to clutch belt. (Refer instructions.)

References to left or right side of machine is determined by sitting in the operating position on the machine.

TO OPERATE

BEFORE STARTING: See engine maintenance/instruction sheet. Make sure parking brake is applied — Ensure brake is applied at all times when leaving machine unattended whilst engine is running.

TO DRIVE FORWARD/REVERSE: Power is regulated by the throttle. Set throttle control to desired engine power. Press down on the forward section of the clutch pedal for forward movement or on the rear section of the clutch pedal for reverse. The amount of pressure can be used to control the speed.

MANOEUVRING: Owing to the Clutch type action of the Friction Drive it is possible to take the machine straight from forward to reverse and vice versa. This instant forward and reverse operation in conjunction with the differential on the rear wheel drive makes the machine very manoeuvrable and the sharpest turns can be negotiated easily and quickly.

TO BRAKE (Only with Engine Running): The clutch may be used to stop the Machine. If travelling forward, push the pedal into reverse until machine stops then bring the pedal back to neutral position or vice versa if travelling in reverse. The parking brake should only be used for storage, transportation and emergency stopping.

CUTTING HEIGHT ADJUSTMENT: The height adjustment lever is located on the right hand side of the machine and may be altered to suit varying conditions even while the machine is in motion.

NOTE: When mowing slopes leave the machine in forward drive when going downhill. The low gearing will prevent it from picking up excessive speed. If very steep it may be necessary to throttle back slightly.

IT IS NOT RECOMMENDED THAT THIS MACHINE BE USED ON SLOPES.

MAINTENANCE INSTRUCTIONS

103

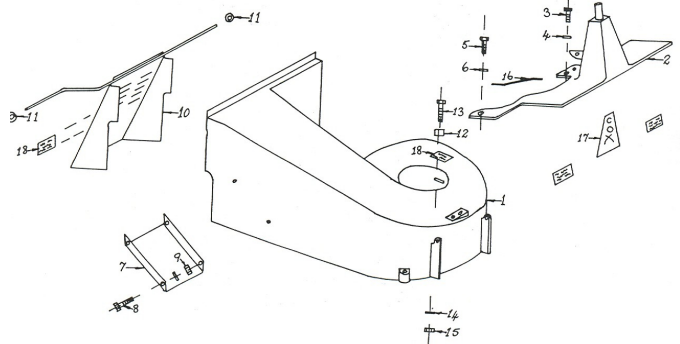
It is the owners responsibility to ensure that all periodical checks, necessary adjustments and services are carried out.

Stop Engine — **Never** attempt any form of service or adjustment with engine running. Make sure the blades have stopped rotating before carrying out any adjustment.

1. **Oil Changing (Engine):** See engine maintenance/instructions sheet and carry out as per engine manufacturers recommendations.
2. **Lubrication:** Lubrication of machine should also be carried out after every 25 hours of operation or once a month, whichever falls due first.
A: Oiling: A few drops of oil should be placed at the following points: Steering Linkages, Steering Column Shaft, Stub Axles, Height Adjustment Mechanism, Pivot Bolt and Linkages on Clutch Arm and Clutch Pedal, Front Height Control Linkages.
Under no circumstances allow grease or oil to come into contact with the Clutch Cone or the Clutch Plates. Should this occur clean off immediately with petrol.
3. **Engine to Clutch Vee Belt Adjustment:** Loosen engine mounting bolts and move engine forward, adjust belt to correct tension. Re-tighten bolts.
4. **Engine to Clutch Vee Belt Replacement:** Remove cutter disc, loosen engine bolts, remove clutch arm assembly, remove belt. To replace, reverse procedure.
5. **To Check Blades:** Stop engine. Put height adjustment control in highest position, lift left hand side of machine. If necessary simply remove blade bolt and nut using a suitable spanner and replace worn parts.
6. **Clutch Plate Adjustment:** Periodically it will be found necessary to adjust the clutch plates as the clutch cone wears. To carry out this operation first loosen the lock nuts and set screws holding the plates in position. Position the clutch pedal in neutral centre position. This in turn positions the clutch cone in neutral. Slide the reverse (L) clutch plate over to touch the clutch cone and tighten the set screws. Move the forward (R) plate until approximately 0.8mm (1/32") from the clutch cone. Tighten the set screws and lock nuts. A good check on the neutral position of the clutch arm is to make sure both plates are moved an equal amount.
7. **Replace Clutch Cone:** Loosen engine belt, remove nut from underside of clutch arm pivot bolt, remove clutch arm pivot bolt, remove clutch arm push rod, remove clutch arm stabilizer bracket, loosen clutch plates, remove clutch arm assembly. Secure clutch shaft in vice unscrew pulley (LH thread) knock shaft through from bottom to top. To replace clutch cone, reverse procedure, making sure that belt is sitting in pulley groove when refitting clutch arm.
8. **To Adjust Drive:** To adjust differential slip tighten large nut on rear axle (Left Hand side of machine).
9. **Genuine Spare Parts:** Always use genuine 'Cox' made spare parts. Use of non-genuine 'Cox' spares will void your warranty.

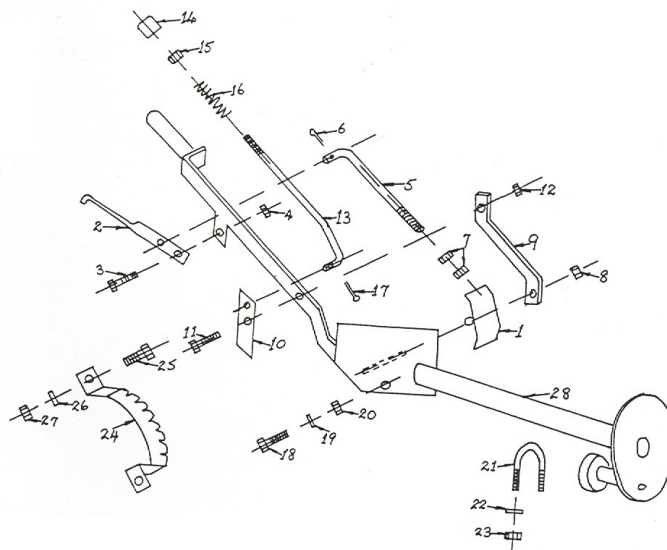
04 CUB – MAIN BODY COMPONENTS

RefPart No No	Description
1 04001	Body Casting NLA
2 04002	Mudguard Casting NLA
3 B0512C	Mudguard Casting Centre Bolt (2)
4 W05S	Centre Bolt Lock Washer (2) NLA
5 B0512C	Mudguard Casting Side Bolt (2)
6 W05S	Side Bolt Lock Washer (2) NLA
7 04118	Grass Deflector Plate NLA
8 B0416C	Grass Deflector Plate Bolt (4)
9 N04CN	Grass Deflector Plate Bolt Nut (4)
10 04121	Shute Guard NLA
11 AM274	Shute Guard Ratchet Plate (2)
12 04139	Engine Spacer (3) NLA
13 B0540C	Engine Bolt (3) NLA
14 W052002	Engine Bolt Washer (3)
15 N05CN	Engine Bolt Nut (3)
16 04150	Body Foot Rest Rubber R/H NLA
17 04151	'CUB' Nameplate NLA
18 STR10	Warning Transfer (2) NLA
19 04156	Grass Catcher (Not Illustrated) NLA



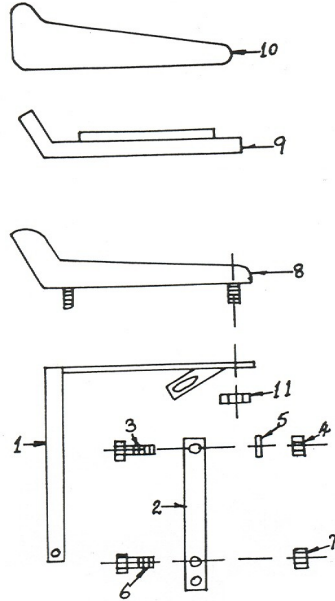
04 CUB – REAR AXLE PIVOT & BRAKE COMPONENTS

RefPart No No	Description	RefPart No No	Description
1 04067	Brake Pad NLA	16 AM012	Height Adj Pawl Push Rod Spring
2 04068	Brake Handle NLA	17 CP2-512	Height Adj Pawl Push Rod Split Pin
3 B0412C	Brake Handle Pivot Bolt	18 B0824C	R/H Pivot Bolt
4 N04CN	Brake Handle Pivot Nut	19 W081816	R/H Pivot Bolt Washer
5 04071	Hand Brake Adjustment Rod NLA	20 N08C	R/H Pivot Bolt Nut
6 CP2-512	Hand Brake Adjustment Rod Split Pin	21 04089	U Bolt NLA
7 N04CN	Hand Brake Adj Rod Lock Nut (2)	22 W040816	U Bolt Washer (4)
8 N06CN	Brake Pivot Shaft Nut	23 N04CN	U Bolt Lock Nut (2)
9 04075	Brake Pad Reinforcing Strut NLA	24 04123	Height Adjustment Rack NLA
10 AM011	Height Adjustment Pawl	25 B0412C	Height Adjustment Rack Bolt
11 B0516C	Height Adjustment Pawl Pivot Bolt	26 W040816	Height Adj Rack Bolt Lock Washer (2)
12 N05CN	Height Adj Pawl Pivot Bolt Nut	27 N04CN	Height Adjustment Rack Bolt Nut (2)
13 04079	Height Adj Pawl Push Rod NLA	28 04066	Rear Axle Pivot NLA
14 AM013Q2	Height Adj Pawl Push Rod Button		
15 N04C	Pawl Push Rod Button Lock Nut		



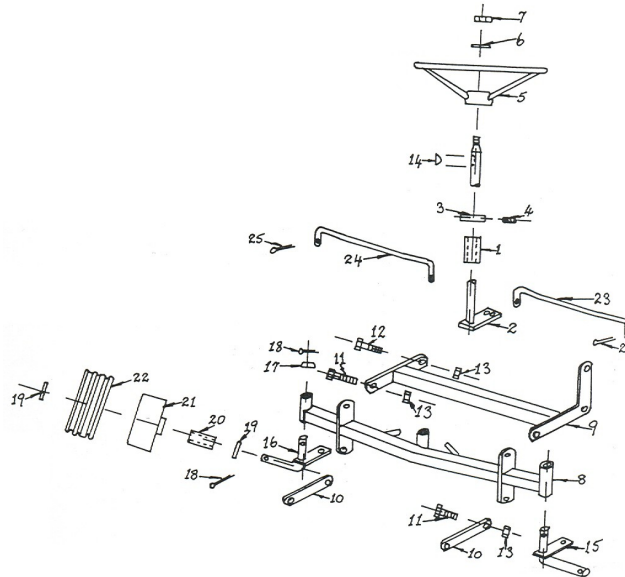
04 CUB – SEAT COMPONENTS

RefPart No	No	Description
	1	04107 Seat Bracket NLA
	2	04108 Front Seat Bracket NLA
	3	B0616C Front Seat Bracket Top Bolt
	4	N06CN Front Seat Bracket Top Bolt Nut
	5	W061216 Front Seat Bracket Top Bolt Washer
	6	B0520C Front Seat Bracket Bottom Bolt (2)
	7	N05CN Front Seat Bracket Bottom Bolt Nut (2)
	8	AM001 Seat Complete NLA
	9	AM002 Seat Cushion NLA
	10	AM003 Seat Cover NLA
	11	N06CN Seat Attaching Nut (3)



04 CUB – STEERING, FRONT AXLE & WHEEL

RefPart No	No	Description
	1	SAM017 Steering Bush
	2	04008 Steering Shaft NLA
	3	AM066 Lock Collar
	4	SS0408W Lock Collar Grub Screw
	5	AM016 ** Steering Wheel NLA
	6	W061216 Steering Wheel Washer
	7	N06CN Steering Wheel Nut
	8	04014 Front Axle NLA
	9	04015 Front Height Control Link NLA
	10	04016 Front Axle Bottom Conn Link (2) NLA
	11	B0616C Connecting Bolt Front (4)
	12	B0620C Connecting Bolt Rear (4)
	13	N06CN Connecting Bolt Nut (8)
	14	SK03 Steering Shaft Key
	15	04021 L/H Stub Axle NLA
	16	04022 R/H Stub Axle NLA
	17	04024 Stub Axle Dust Cap (2) NLA
	18	CP3-225 Split Pin (4)
	19	W091816 Front Wheel Washer (4) NLA
	20	SAM017 Front Wheel Washer (2) NLA
	21	04029 Front Wheel Hub (2) NLA
	22	04030 Front Wheel Tyre (2) NLA
	23	04031 L/H Steering Tie Rod NLA
	24	04032 R/H Steering Tie Rod NLA
	25	CP2-512 Tie Rod Attaching Split Pin (4)

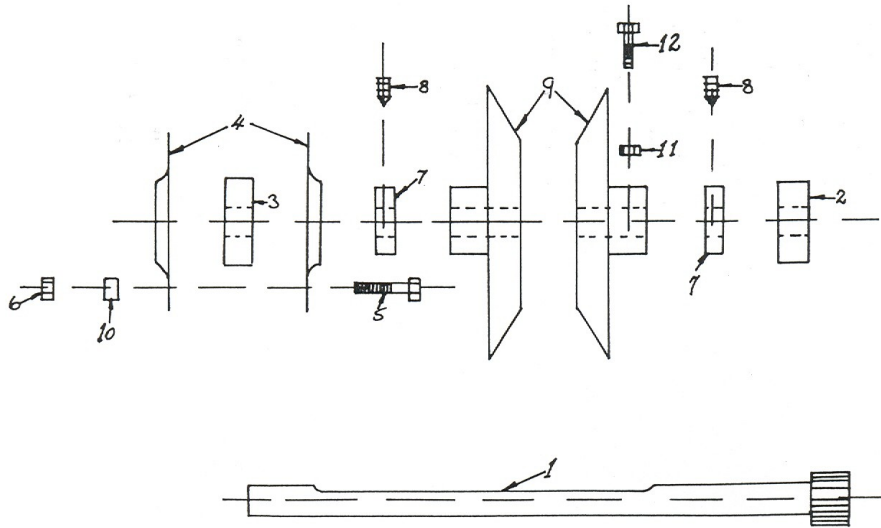


**** Convert to New Type Steering Wheel using Part No. SKIT37 ****

04 CUB – INTERSHAFT AND DRIVE COMPONENTS

RefPart No No	Description
1 04057	Intershaft NLA
2 SBB1735	Intershaft Bearing L/H NLA
3 BB17SA	Intershaft Self Align Bearing R/H NLA
4 04060	Intershaft Bearing Flangette (2) NLA
5 B0420C	Intershaft Bearing Flangette Bolt (2)
6 N04CN	Intershaft Brg Flangette Bolt Nut (2)
7 04063	Intershaft Lock Collar (2) NLA

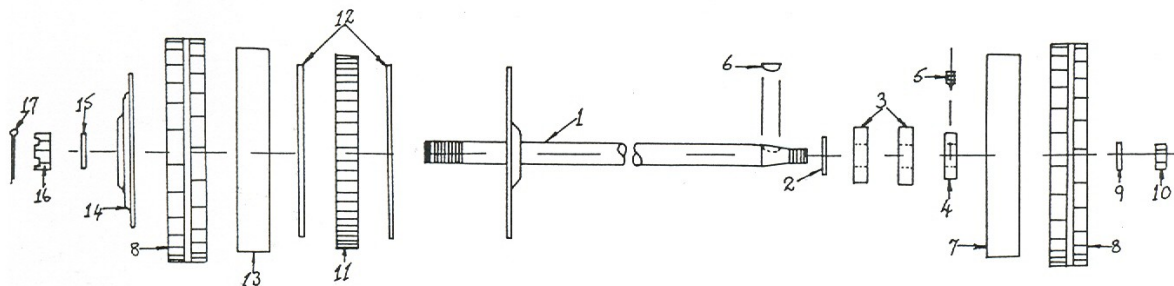
RefPart No No	Description
8 GS0404C	Intershaft Lock Collar Grub Screw (4)
9 04065M	Clutch Plate (2) NLA
10 W040816	Intershaft Bearing Flangette Spacer (2)
11 N05C	Clutch Plate Set Screw Lock Nut (2)
12 SS0520W	Clutch Plate Set Screw (2)
TOOLS	
AM005G0	Spark Plug Spanner
04H54160	Tube Spanner NLA
04H54161	Tommy Bar NLA



04 CUB – REAR AXLE & COMPONENTS

RefPart No No	Description
1 04092	Rear Axle NLA
2 W1726HDM	Rear Axle Washer NLA
3 SBB1735	Rear Axle Bearing (2) NLA
4 04063	Rear Axle Lock Collar NLA
5 GS0404C	Rear Axle Lock Collar Grub Screw
6 SK03	Rear Axle Key
7 04097	Rear Wheel Hub R/H NLA
8 04098	Rear Wheel Tyre (2) NLA
9 W061216	Rear Wheel R/H Washer

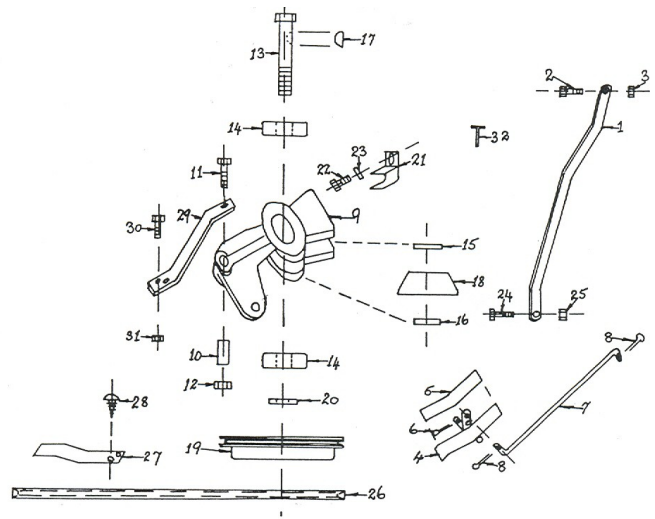
RefPart No No	Description
10 N06CN	Rear Wheel R/H Nut
11 KIT17	Large Gear c/w Corks NLA
12 04102	Friction Cork (2) NLA
13 04103	Rear Wheel Hub L/H NLA
14 04104	Pressure Plate NLA
15 W102016	Rear Wheel L/H Washer
16 NC10F	Rear Wheel L/H Nut NLA
17 CP3-225	Rear Wheel Split Pin



04 CUB - CLUTCH COMPONENTS

RefPart

No	No	Description
1	04034	Height Adj Connecting Rod NLA
2	B0616C	Height Adj Connecting Rod Bolt Front
3	N06CN	Height Adjustment Conn Rod Bolt Nut
4	04037	Clutch Pedal NLA
5	NSM01	Clutch Pedal Rubber
6	CP3-220	Clutch Pedal Split Pin
7	04039	Clutch Rod NLA
8	CP3-220	Clutch Rod Split Pin (2)
9	04041	Clutch Arm NLA
10	04042	Clutch Arm Bush NLA
11	B0636C	Clutch Arm Pivot Bolt NLA
12	N06CN	Clutch Arm Pivot Bolt Nut
13	04046	Clutch Shaft NLA
14	SBB1735	Clutch Bearing (2) NLA
15	04048	Clutch Bearing Top Spacer NLA
16	W1726HDM	Clutch Bearing Bottom Spacer NLA
17	SK09	Clutch Cone Key
18	CC1780K	Clutch Cone NLA
19	04052	Clutch Pulley NLA
20	04053	Clutch Pulley Spacer Washer NLA
21	04054	Clutch Arm Over Ride Stop NLA
22	B0412C	Clutch Arm Over Ride Stop Bolt
23	W04S	Over Ride Stop Bolt Lock Washer
24	04087	Height Adjustment Connecting Rod Bolt Rear NLA
25	NT06C	Height Adjustment Rod Bolt Lock Nut NLA
26	VM39	Drive Belt NLA
27	04144	Drive Belt Draft Plate NLA
28	ST1010	Drive Belt Draft Plate Screw (2)
29	04146	Clutch Reinforcing Bracket NLA
30	B0412C	Clutch Reinforcing Bracket Bolt (2)
31	N04CN	Clutch Reinforcing Bracket Bolt Nut (2)
32	04159	Neutral Holding Pin NLA



04 CUB – CUTTER DISC & COMPONENTS

RefPart

No	No	Description
1	04128	Pulley & Disc Boss NLA
2	SK06	Pulley & Disc Boss Key (2)
3	04131	Cutter Disc NLA
4	B0508F	Disc Boss Bolt (3) NLA
5	W05S	Disc Boss Bolt Lock Washer (3) NLA
6	SH0616F	Disc Shaft Bolt NLA
7	W06S	Disc Shaft Bolt Lock Washer
8	W0620HD	Disc Shaft Bolt H/D Washer
9	SMB150A	Cutter Blade (4)
10	SKIT01D1	Cutter Blade Bolt & Nut Set

