

ZERO TURNING RADIUS RIDE-ON MOWER



Model A16413K

CZN1642 16HP HONDA 42" CUT
CZN2242 22HP B&S 42" CUT
CZN2342 23HP HONDA 42" CUT
CZN2442 24HP B&S 42" CUT
CZN2348 23HP HONDA 48" CUT
CZN2448 24HP B&S 48" CUT



OWNER/OPERATORS MANUAL

READ THIS MANUAL BEFORE OPERATING MACHINE

DEATH, PERSONAL INJURY AND/OR PROPERTY DAMAGE MAY OCCUR UNLESS INSTRUCTIONS IN
THIS MANUAL ARE FOLLOWED

NOTE: Bring this Manual when Service & or Warranty work is required.

Revised 10/07/2014

OWNERS INFORMATION

MACHINE MODEL NO. _____

SERIAL NO: _____

Located on label on Housing under Seat

HONDA ENGINE : _GXV _____ TYPE _____

SERIAL NO. _____

BRIGGS & STRATTON ENGINE MODEL: _____ TYPE _____
CODE _____

DATE OF PURCHASE: _____

ISSUED TO:

OWNERS NAME: _____

ADDRESS: _____

TOWN/CITY: _____ STATE: _____

ISSUED BY:

AUTHORISED COX DEALER/
DISTRIBUTOR: _____

ADDRESS: _____

TOWN/CITY: _____ STATE: _____

PRE DELIVERY CHECK LIST

Check parts Assemble Service Instruction

ALWAYS KEEP THIS MANUAL IN A SAFE PLACE.

SAFETY INSTRUCTIONS

- Read, understand, & follow all instructions in the Owner/Operators manual.
- Know the controls and how to stop the engine quickly in an emergency.
- Allow only responsible adults, who are familiar with the instructions in this manual, to operate the machine.
- Clear the area to be mowed of loose objects such as sticks, stones, bones, wire, toys, debris, etc., which could be picked up and thrown by the blades.
- DO NOT mow whilst people, especially children, or pets are in the mowing area.
- DO NOT mow either direction on slopes beyond 15 degrees (1 in 3.75)
- Exercise extreme caution on slopes.
- Reduce speed on slopes and in sharp turns to prevent overturning or loss of control.
- Start or stop slowly when on slopes.
- Mow up and down slopes, not across the slope.
- Stay alert for holes or bumps in the terrain and other hidden hazards.
- Watch out for traffic when crossing or operating the mower near roadways.
- Stop the blades rotating before crossing surfaces other than grass.
- When using attachments, never direct discharge of material toward bystanders nor allow anyone near the machine while it is in operation.
- Before leaving the operators position-
 - a] Disengage all clutches and secure cutting units;
 - b] Return drive levers to neutral position and set the parking brake;
 - c] Stop the engine and remove the key.
- Disengage drive to attachments and stop engine-
 - a] Before refueling.
 - b] Before checking, cleaning or working on the mower;
 - c] After striking a foreign object (check the mower for damage and make repairs before restarting and operating the equipment);
 - d] If machine starts to vibrate abnormally (check immediately).
- Disengage drive to attachments when transporting or not in use.
- A mower operator should be in good physical and mental health and not under the influence of alcohol or any drug which might impair vision, co-ordination or judgment.
- Never mow while barefoot or wearing open sandals or thongs. Wear long trousers and heavy shoes.
- It is advisable to wear suitable eye protection when operating a mower.
- Mow only in daylight or good artificial light.
- Before using, always visually inspect to see that cutter bars are not loose, worn or damaged. Replace worn or damaged bars.
- Check all nuts, bolts, and screws often; always be sure the mower is in safe operating condition.
- Keep safety devices (guards and switches) in place and in working order.
- Never use the mower unless the guards provided by the manufacturer, are in position.
- Ensure any replacement parts used comply with the original manufacture's recommendations and specifications.
- Replace worn or faulty silencers.
- Keep machine free of grass, leaves or other debris, excessive oil, grease, or spilt fuel. These can be a fire hazard.
- Refuel outdoors only. Do not smoke while refueling engine. Never remove the cap of the fuel tank or add petrol while the engine is running or the engine is hot. Remove fuel cap slowly to relieve any tank pressure. If fuel is spilled, do not attempt to start the engine but move machine away from the area of the spill and avoid creating any source of ignition until fuel vapors have dissipated.
- Check for fuel leaks while refueling, before and while using the mower. If a fuel leak is found, do not start or run the engine until the fuel leak is fixed and spilled fuel is wiped away.
- Do not operate engine in a confined space where exhaust fumes (carbon monoxide) can collect.
- Always mount the mower from the front or non discharge side.
- Start the engine carefully with the cutting means disengaged.
- Do not over-speed the engine or alter governor settings. Excessive speed is dangerous and shortens mower life.
- Stop the engine whenever you leave the mower, even for a moment.
- Store the mower in a well-ventilated room away from naked flames such as may be found in hot water heaters.
- Do not lend or sell the mower, without the owners/operators Manual.

PRE-DELIVERY INSTRUCTIONS

INTRODUCTION:

The purpose of this procedure is to ensure the dealer/distributor has made the necessary installations, adjustments and checks, before the machine is operational. This procedure begins upon receiving the crated mower and is finalised once the mower has been either sold or leaves the dealer/distributors premises. This is the minimum amount of work required, however it should not be limited to only the areas detailed in this procedure.

RESPONSIBILITY:

It is the responsibility of the dealer/distributors to ensure that before a machine is delivered to a customer, it is in perfect operational condition.

PROCEDURE:

CHECK FOR TRANSPORT DAMAGE UNCRATE MACHINE

CHECK ITEMS SUPPLIED IN SEAT PROTECTION BAG

- Engine owners manual
- Owner/Operator manual (CD)
- Tommy bar (AM007)
- Ignition keys
 - 16.0 HP Honda & B&S (AM015)
 - 23.0 HP Honda (A120863)
- Spark plug spanner (AM295)
- Warranty Card
- Pre-delivery Instruction Sheet
- Seat Spring x 3 (13060)
- Washer x 3 (W05M202)
- Cup Head Bolt x 4 (M8x40)
- Nyloc Nut x 4 (M8)
- Washer x 3 (W052003)
- Seat Spring Cap x 3 (14128)
- LH Control Lever (A12061711J)
- RH Control Lever (A12061811J)

TYRE PRESSURE

Before operation ensure that all tyre pressures are equal from side to side. The recommended pressures are:-

Front Wheel:-140 Kpa (20psi) approximately.
Rear Wheel:- 105 Kpa (15psi) 18x8.50-8
90 Kpa (13psi) 18x9.50-8

ENGINE OIL

Before operation ensure that engine oil level is to the full mark on the dipstick. (Read engine owners manual for correct procedure to check & adjust oil level).

FUEL TAP

Ensure the fuel taps at the bottom inside of the LH & RH fuel tanks are turned to the on position before attempting to start engine. (Use unleaded fuel only). **Turn fuel taps off after use.**

SAFETY START SWITCHES

Drive Lever Switches - 16HP HON, 22HP & 24HP B&S

With Cutter PTO switch in DISENGAGED position and Clutch/Park Brake Lever set in the ON position and the Drive Levers in the DRIVE position.

Attempt to start the engine.

Engine should not start.

Drive Lever Switches—23.0 HP Honda only

While sitting on stationary machine with Engine running and Cutter PTO Switch in DISENGAGED position and Clutch/Park Brake Lever set in the ON position attempt to move the Drive Levers to the DRIVE position.

Engine should stop.

Cutter PTO Switch -

With Drive Levers in the locked out NEUTRAL position and Clutch/Park Brake Lever set in the ON position, and Cutter PTO Switch in the ENGAGED position.

Attempt to start engine. **Engine should not start.**

Clutch/Park Brake Lever Switch -

With Cutter PTO Switch in DISENGAGED position and the Drive Levers are set in the locked out NEUTRAL position, and the Clutch/Park Brake Lever in the OFF position. Attempt to start the engine.

Engine should not start.

With Cutter PTO Switch in DISENGAGED position and the Drive Levers in the locked out NEUTRAL position and the Clutch/Park Brake Lever set in the ON position.

Attempt to start the Engine.

Engine should start.

SAFETY STOP SWITCHES

Seat Switch -

While sitting on stationary machine with Engine running ENGAGE Cutter PTO Switch. Lift weight from Seat. **Engine should stop.**

While sitting on stationary machine with Engine running and Cutter PTO Switch in DISENGAGED position, set the Clutch/Park Brake Lever in the OFF position and then the Drive Levers in the DRIVE position .

Lift weight from Seat.

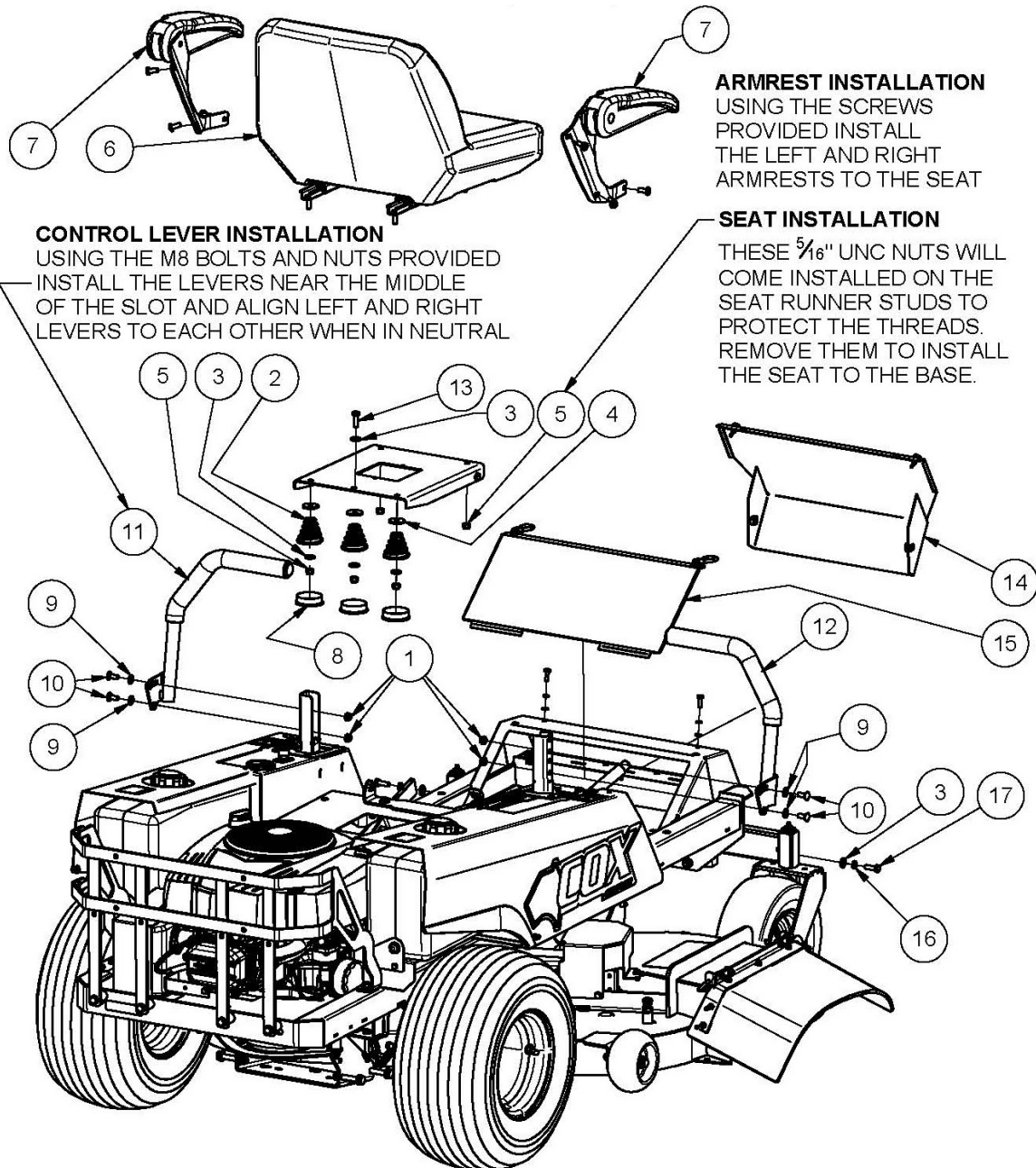
Engine should stop.

Clutch/Park Brake Lever Switches -

While sitting on stationary machine with Engine running and Cutter PTO Switch in DISENGAGED position, and Drive Levers in DRIVE position, attempt to set the Clutch/Park Brake Lever in the ON position.

Engine should stop.

PRE-DELIVERY INSTALLATION OF SEAT AND CONTROL LEVERS



ARMREST INSTALLATION
 USING THE SCREWS PROVIDED INSTALL THE LEFT AND RIGHT ARMRESTS TO THE SEAT

CONTROL LEVER INSTALLATION
 USING THE M8 BOLTS AND NUTS PROVIDED INSTALL THE LEVERS NEAR THE MIDDLE OF THE SLOT AND ALIGN LEFT AND RIGHT LEVERS TO EACH OTHER WHEN IN NEUTRAL

SEAT INSTALLATION
 THESE 5/16" UNC NUTS WILL COME INSTALLED ON THE SEAT RUNNER STUDS TO PROTECT THE THREADS. REMOVE THEM TO INSTALL THE SEAT TO THE BASE.

1	NM8NT	NUT, HEX, NYLOC, THIN, M 8, PC6, ZNPL	4
2	13060	SPRING, SEAT	3
3	W05M202	WASHER, FLAT, BRIGHT, 5/16"x3/4"x14G	6
4	W052003	WASHER, FLAT, BLACK, 5/16"x1-1/4"x3, ZNPL	3
5	N05CN	NUT, HEX, NYLOC, THICK, UNC, 5/16", GR5, ZNPL	5
6	A120850	SEAT, V-3505 SERIES	1
7	A120854	KIT, ARMREST, T-SUIT V-3505 SEAT	1
8	14128	CAP, SEAT SPRING (BLACK)	3
9	A120688	WASHER, 18X9SQX1	4
10	BCHSNM8X40	BOLT, CUP, SQ NECK, M8 x40 PC4.6. ZNPL.	4
11	A12061711J	SUB-ASSY, LEVER, CONTROL, LEFT	1
12	A12061811J	SUB-ASSY, LEVER, CONTROL, RIGHT	1
13	SH0516C	SCREW, HEX, UNC, 5/16"x1", GR5, ZNPL	1
14	A120903	SUB-ASSY, BUMPER, FRONT	1
15	A120906	SUB-ASSY, LID, STORAGE	1
16	WS050216	WASHER, LOCK, SPRING, 5/16"x1/8"x1/16", ZNPL	2
17	SH0825M	SCREW, HEX, M8x25, PC 8.8, ZNPL	2

OPERATING INSTRUCTIONS

IMPORTANT

The careless or improper use of a machine of this type can be dangerous. The manufacturer or selling agent does not accept responsibility for accident either to the operator, to the owner or to any person directly or indirectly or to property if such accident is caused by circumstances arising other than by the negligence or default of COX INDUSTRIES.

RECOMMENDED FUEL

Unleaded fuel is recommended by all manufacturers of engines fitted to Cox products (up to 10% ethanol blended unleaded fuel is acceptable).

SAFETY SWITCHES

Before operating machine, ensure that all safety switches are operating correctly as per Pre-delivery Instructions. Do not operate machine with faulty, missing or damaged safety switches.



BLADE WARNING



Do not use mowing attachment with broken, bent, or damaged blades, or damaged or worn bolts and nuts otherwise damage and premature wear will result from vibration. Recommended Cutter Blade Bolt and Nut torque is 36-40Nm. Do not over tighten.

Keep feet and hands clear of the mowing attachment at all times while operating or attempting to start the machine.



WARNING



DO NOT OPERATE THE MOWING ATTACHMENT WITHOUT DISCHARGE DEFLECTOR FITTED & DOWN.

Reference to left or right hand side of machine is determined by sitting in the operating position on the machine.

Safety footwear is recommended when operating machine.

Mount and dismount only from the centre front or non discharge side of machine.

Ensure machine has Clutch/Park Brake Lever set in the ON position and Drive Levers are in the locked out NEUTRAL position and Cutter PTO Switch is in the DISENGAGED position while attempting to start engine.

Never allow engine revs to exceed 3600 RPM.

TO OPERATE

BEFORE STARTING/SWITCHING OFF:

Read & Follow Engine Owners Manual Instructions.

Before stopping the engine:

Stop the mowing attachment

Return the engine speed control to slow position .

Then turn the Key Switch to the OFF position.

STARTING ENGINE

When starting machine, place Drive Levers in the locked out NEUTRAL position. Ensure that Cutter PTO Switch is in the DISENGAGED position and the Clutch/Park Brake Lever is set in the ON position otherwise electric start will not be activated. If engine is cold, pull choke control (if equipped) up to choke position and engine speed control knob to fast position, or move engine speed control knob to choke position. Turn key switch to start position and release to the on position once engine has started. Once engine is running gradually return the choke control (if equipped) to depressed position, or move engine speed control to the fast position. Do not continue to operate the engine in the choke position.

If engine is hot move engine speed control to the fast position. Turn key switch to start position and release to the on position once engine has started.

TO OPERATE THE MOWING ATTACHMENT:

Bring the engine up to the normal operating speed.

The Mowing Attachment is engaged by pulling up the large yellow knob (P.T.O. Switch) on the left hand control panel.

Before starting ensure knob is in the disengaged position (down). For safety it is advisable that the mowing attachment be not operating (Cutter PTO Switch be in the disengaged position) other than when mowing grass.

TO DRIVE FORWARD/REVERSE:

Engine speed and ultimate drive speed is regulated by setting the engine speed control to desired engine speed.

To drive forward push both the drive control levers forward from the neutral position.

To drive in reverse pull both the drive control levers back from the neutral position.

The further the drive control levers are moved from neutral the faster the drive speed.

To slow down when driving forward pull both drive control levers back.

To slow down when driving in reverse push both drive control levers forward.

The position of the drive control levers can be used to control the ground speed, especially in heavier conditions. Owing to the inline action of the drive levers, it is possible to take the machine straight from forward to reverse and vice versa.

MANOEUVRING/TURNING:

The independent forward and reverse operation of 2 separate drives makes the machine very manoeuvrable and the sharpest turns can be negotiated easily and quickly.

Move the left hand drive control lever forward to turn the machine in a right hand turn direction.

Move the right hand drive control lever forward to turn the machine in a left hand turn direction

Move the left hand drive control lever backwards to turn the machine in a left hand turn direction.

Move the right hand drive control lever backwards to turn the machine in a right hand turn direction.

Adjustment of the speed of each rear wheel to suit the turning manoeuvre required will minimise the possible damage to the turf caused by having one wheel rotating too slow for the manoeuvre required.

TO BRAKE (WITH ENGINE RUNNING):

The drive levers should be used to stop the machine travel.

Do not use the park brake lever to stop the machine travel except in an emergency as the park brake mechanism will be permanently damaged.

If travelling forward pull both drive control levers backwards evenly until the machine travel stops, then return both the drive control levers to the neutral position.

If travelling in reverse push both control levers forward evenly until the machine travel stops, then return both the drive control levers to the neutral position.

CLUTCH/PARK AND TRANSPORTATION BRAKE:

The clutch/park brake lever is located on the front left hand side of the control housing. Pull the lever up fully and to the right then lower into the "L" slot to engage the brake. Pull the lever up and to the left out of the "L" slot and then lower completely to disengage clutch/park brake.

Do not attempt to bring the machine to a stop using the Clutch/Park Brake Lever as permanent damage will be done to the Park/Brake mechanism.

CUTTING HEIGHT ADJUSTMENT:

The cutter height adjustment lever is located on the front right hand side of the control housing, and may be raised to suit various conditions.

To raise the mowing attachment, lift the height adjustment lever to the desired height. It is not necessary to depress the button when lifting the mowing attachment.

To lower the mowing attachment, lift the height adjustment lever slightly and depress button, once button is depressed lower the mowing attachment to the desired position and release button.

NOTE: When mowing on slopes, keep drive levers in forward or reverse, depending on direction of travel. The low gearing will prevent it from picking up excessive speed. If very steep it may be necessary to reduce engine speed slightly.

MAINTENANCE INSTRUCTIONS

It is the owner's responsibility to ensure that all periodical checks, necessary adjustments and services are carried out.

STOP ENGINE - Never attempt any maintenance with the engine running, remove spark plug lead and ensure the blades have stopped rotating.

Before servicing, disconnect spark plug wire and ground it, disconnect battery at negative terminal, to prevent accidental starting.

OIL CHANGING & FILTER REPLACEMENT (ENGINE): See Engine OWNERS MANUAL and carry out as per Engine Manufacturers Recommendations.

SERVICING ENGINE AIR CLEANER & FOAM PRE-CLEANER— See engine owners manual for correct method to check and service engine air cleaner & foam pre-cleaner.

LUBRICATION OF MACHINE:

Lubrication of machine must be carried out every 25 hours of operation or once a month, whichever occurs first. More frequently when operated under adverse conditions.

A few drops of oil should be placed at the following points: Height adjustment mechanism, pivot bolt and linkages on drive levers.

Grease should be applied using a grease gun at the grease nipple on the top end of each of the front caster fork shafts ensuring old grease is expelled at both the top and bottom of the shaft.

ENGINE TO TRANSAXLES V BELT ADJUSTMENT:

Adjustment of the clutch rod adjusting nut is required periodically to allow the V belt to be spring tensioned. With Clutch Park Brake Lever in the OFF position Adjust the space between the Clutch Rod adjusting nut and trunnion to be between 3mm and 6mm.

If loss of drive is experienced because of V belt slippage, and the adjusting nut has run out of adjustment then the V belt has worn past its serviceable limit and should be replaced.

ENGINE TO 42" CUTTER V BELT ADJUSTMENT:

Adjustment of the V Belt Spring Tensioner Bracket is required periodically to allow the V belt to be spring tensioned.

With the height of the Mowing Attach set in its lowest position check on the right hand rear of the mowing attachment that the total length of the V belt tensioner spring is greater than 170mm. If the length of the spring needs to be adjusted loosen the fasteners on the tensioner bracket and move the tensioner bracket until the spring length is between 180mm and 190mm and re-tension fasteners.

If loss of cutter drive is experienced because of belt slippage, and the tensioner bracket has run out of adjustment the belt has worn past its serviceable limit and should be replaced.

TO CHECK BLADES:

Stop engine. Remove spark plug lead. lift deflector and height adjustment control to highest position and inspect blades for wear. If sharpening or replacement of mower blades is necessary, remove the plugs near the drive spindle pulleys and use a 9/16" socket & suitable length extension to remove the blades, or remove the mowing attachment for ease of blade access and general under mowing attachment inspection (see to remove mowing attachment section).

TO REMOVE 42" MOWING ATTACHMENT:

Remove tension spring from the V belt tensioner bracket. Remove cutter belt from rear PTO pulley. Remove 2 x bolts and nyloc nuts either side on rear deck hangers. Remove pivot pin on mowing attachment from front drag link. Remove the bolt & nut on tensioner arm link and remove the tensioner arm link.

CLEANING MOWING ATTACHMENT:

Ensure the mowing attachment is clear of obstructions. Attach standard garden hose to hose adaptor on either side of mowing attachment and turn on hose. Whilst sitting in the operators seat engage and run mowing attachment for two minutes, water from the hose will then circulate under the cutter and clean it. After cleaning disengage mowing attachment and remove hose from the adaptor.

TYRE PRESSURE:

Front Wheel:-140 Kpa (20psi) approximately.

Rear Wheel:- 105 Kpa (15psi) 8.50x8

90 Kpa (13psi) 9.50x8

Uneven pressure can give an uneven finish when mowing and may cause damage to tyres and/or tubes.

BATTERY MAINTENANCE:

Sealed battery. When not in use, a battery discharges by as much as 1% a day, more when the climate is warm. To make up for this loss, a boosting charge should be given once a month. Disconnect battery terminals to charge, then allow to stand minimum 1/2hr before re-connecting. If a battery is not used for a period of more than three (3) months, the terminals should be disconnected and trickle charged at two (2) amps for two (2) hours once every three (3) months or before use.

GENUINE SPARE PARTS:

Always use Genuine Cox Factory Made Spare Parts. Use of non-genuine COX spares will void your warranty.

SAFETY FIRST:

The use of any mechanical appliance can cause injury if incorrect procedures are used. Please ensure that all family members of intended operators read this manual thoroughly.

TORQUE SETTINGS

1/4" UNC BOLT/NUT	10Nm (84lbf in)
5/16" UNC BOLT/NUT	20Nm (180lbf in)
3/8" UNC BOLT/NUT	36Nm (27lbf ft)
7/16" UNF BOLT	68Nm (50lbf ft)
6mm BOLT/NUT	9Nm (80lbf in)
20mm NUT	100Nm (74lbf ft)
5/8" UNF NUT	100Nm (74lbf ft)

We are proud that you have purchased a Cox product and urge you to follow these instructions to obtain the maximum life for your machine. If in doubt check with your supplier.

MAINTENANCE SCHEDULE

BEFORE EACH USE

Check engine oil level, adjust if required
Check engine air cleaner foam pre-cleaner, service if required
Check engine rotating screen/finger guard, clean if required
Check operation of safety switches, service if required

Check tyre pressures, adjust if required
Check for loose fasteners, tighten if required
Check cutting attachment cutter blades, bolts, nuts, housing and guards for wear or damage, replace if required

BEFORE STORAGE

Change engine oil - Clean machine - Lubricate as per required

EVERY 5 HOURS

Check engine oil level, adjust if required
Check engine air cleaner foam pre-cleaner, service if req.
Check engine rotating screen/finger guard, clean if required
Check operation of safety switches, service if required
Check tyre pressures, adjust if required

Check for loose fasteners, tighten if required
Check cutting attachment cutter blades, bolts, nuts, housing and guards for wear or damage, replace if required

1 MONTH OR 5 HOURS which ever occurs first

Change engine oil
Check engine air cleaner foam pre-cleaner, service if required
Check engine rotating screen/finger guard, clean if required
Check operation of safety switches, service if required
Check tyre pressures, adjust if required

Check mowing attachment cutter blades, bolts, nuts, housing, and guards for damage, replace if required
Check drive levers, adjust if required
Check for loose fasteners, tighten if required

DATE / / HOURS.....DEALER.....

3 MONTH OR 25 HOURS which ever occurs first

Change engine oil if operating under heavy load or high ambient temperature
Check engine air cleaner foam pre-cleaner, service if required *
Check engine rotating screen/finger guard, clean if required *
Check operation of safety switches and replace if required

Check tyre pressures, adjust if required
Check mowing attachment cutter blades, bolts, nuts, housing and guards for wear or damage, replace if required
Check for loose fasteners, tighten if required

*Service more often under dusty conditions, or where air borne debris is present

DATE / / HOURS.....CUSTOMER.....

6 MONTH OR 50 HOURS which ever occurs first

Change engine oil if operating under heavy load or high ambient temperature
Check engine air cleaner foam pre-cleaner, service if required *
Check engine rotating screen/finger guard, clean if required *
Check operation of safety switches and replace if required
Check tyre pressures, adjust if required

Check mowing attachment cutter blades, bolts, nuts, disc/s, housing, and guards for wear or damage, replace if required
Check for loose fasteners, tighten if required

*Service more often under dusty conditions, or where air borne debris is present

DATE / / HOURS.....DEALER.....

9 MONTHS OR 75 HOURS which ever occurs first

Change engine oil if operating under heavy load or high ambient temperature
Check engine air cleaner foam pre-cleaner, service if required *
Check engine rotating screen/finger guard, clean if required *
Check operation of safety switches and replace if required
Check tyre pressures, adjust if required

Check mowing attachment cutter blades, bolts, nuts, housing and guards for wear or damage, replace if required
Check for loose fasteners, tighten if required
Check drive lever for smooth action, adjust if required

*Service more often under dusty conditions, or where air borne debris is present

DATE / / HOURS.....CUSTOMER/DEALER.....

12 MONTHS OR 100 HOURS which ever occurs first

- | | |
|--|--|
| Change engine oil filter | Check for loose fasteners, tighten if required |
| Change engine oil | Check operation of safety switches, service if required |
| Check engine spark plug, clean, adjust, or replace if required | Check tyre pressures, adjust if required |
| If fitted clean engine exhaust spark arrester | Check mowing attachment cutter blades, bolts, nuts, housing and guards for wear or damage, replace if required |
| Check engine air cleaner foam pre-cleaner, service if required * | Check drive lever for smooth action, adjust if required |
| Check engine air cleaner cartridge, service if required* | Re-tension rear wheel retaining nut/s |
| Clean engine cooling system* | Check belts for wear or damage, replace if required |
| Replace in-line fuel filter | |

*Service more often under dusty conditions, or where air borne debris is present

DATE / / HOURS.....DEALER.....

15 MONTHS OR 125 HOURS which ever occurs first

- | | |
|---|--|
| Change engine oil if operating under heavy load or high ambient temperature | Check mowing attachment cutter blades, bolts, nuts, housing and guards for wear or damage, replace if required |
| Check engine air cleaner foam pre-cleaner, service if required * | Check for loose fasteners, tighten if required |
| Check engine rotating screen/finger guard, clean if required * | Check belts for wear or damage, replace if required |
| Check operation of safety switches and replace if required | |
| Check tyre pressures, adjust if required | |

*Service more often under dusty conditions, or where air borne debris is present

DATE / / HOURS.....CUSTOMER/DEALER.....

18 MONTHS OR 150 HOURS which ever occurs first

- | | |
|--|--|
| Change engine oil | Check mowing attachment cutter blades, bolts, nuts, housing and guards for wear or damage, replace if required |
| If fitted clean engine exhaust spark arrester | Check belts for wear or damage, replace if required |
| Check engine air cleaner foam pre-cleaner, service if required * | Check drive lever for smooth action, adjust if required |
| Check engine rotating screen/finger guard, clean if required * | Check for loose fasteners, tighten if required |
| Check operation of safety switches, service if required | |
| Check tyre pressures, adjust if required | |

*Service more often under dusty conditions, or where air borne debris is present

DATE / / HOURS.....DEALER.....

21 MONTHS OR 175 HOURS which ever occurs first

- | | |
|---|--|
| Change engine oil if operating under heavy load or high ambient temperature | Check tyre pressures, adjust if required |
| Check engine air cleaner foam pre-cleaner, service if required * | Check mowing attachment cutter blades, bolts, nuts, housing and guards for wear or damage, replace if required |
| Check engine rotating screen/finger guard, clean if required * | Check for loose fasteners, tighten if required |
| Check operation of safety switches and replace if required | |

*Service more often under dusty conditions, or where air borne debris is present

DATE / / HOURS.....CUSTOMER/DEALER.....

24 MONTHS OR 200 HOURS which ever occurs first

- | | |
|--|--|
| Replace engine oil filter | Check mowing attachment cutter blades, bolts, nuts, housing and guards for wear or damage, replace if required |
| Change engine oil | Check belts for wear or damage, replace if required |
| Check engine spark plug, clean, adjust, or replace if required | Check drive lever for smooth action, adjust if required |
| If fitted clean engine exhaust spark arrester | Check for loose fasteners, tighten if required |
| Check engine air cleaner foam pre-cleaner, service if required * | |
| Check engine air cleaner cartridge, service if required | |
| Clean engine cooling system* | |
| Check operation of safety switches, service if required | |
| Check tyre pressures, adjust if required | |

*Service more often under dusty conditions, or where air borne debris is present

DATE / / HOURS.....DEALER.....

27 MONTHS OR 225 HOURS which ever occurs first

Change engine oil if operating under heavy load or high ambient temperature	Check tyre pressures, adjust if required
Check engine air cleaner foam pre-cleaner, service if required *	Check mowing attachment cutter blades, bolts, nuts, housing and guards for wear or damage, replace if required
Check engine rotating screen/finger guard, clean if required *	Check for loose fasteners, tighten if required
Check operation of safety switches and replace if required	

*Service more often under dusty conditions, or where air borne debris is present

DATE / / HOURS.....CUSTOMER/DEALER.....

30 MONTHS OR 250 HOURS which ever occurs first

Change engine oil	Check mowing attachment cutter blades, bolts, nuts, housing and guards for wear or damage, replace if required
If fitted clean engine exhaust spark arrestor	Check belts for wear or damage, replace if required
Check engine air cleaner foam pre-cleaner, service if required *	Check drive lever for smooth action, adjust if required
Check engine rotating screen/finger guard, clean if required *	Check for loose fasteners, tighten if required
Check operation of safety switches, service if required	
Check tyre pressures, adjust if required	

*Service more often under dusty conditions, or where air borne debris is present

DATE / / HOURS.....DEALER.....

33 MONTHS OR 275 HOURS which ever occurs first

Change engine oil if operating under heavy load or high ambient temperature	Check tyre pressures, adjust if required
Check engine air cleaner foam pre-cleaner, service if required *	Check mowing attachment cutter blades, bolts, nuts, housing and guards for wear or damage, replace if required
Check engine rotating screen/finger guard, clean if required *	Check for loose fasteners, tighten if required
Check operation of safety switches and replace if required	

*Service more often under dusty conditions, or where air borne debris is present

DATE / / HOURS.....CUSTOMER/DEALER.....

36 MONTHS OR 300 HOURS which ever occurs first

Replace engine oil filter	Check operation of safety switches, service if required
Change engine oil	Check tyre pressures, adjust if required
Check engine spark plug, clean, adjust, or replace if required	Check mowing attachment cutter blades, bolts, nuts, housing and guards for wear or damage, replace if required
If fitted clean engine exhaust spark arrestor	Check belts for wear or damage, replace if required
Check engine air cleaner foam pre-cleaner, service if required *	Check drive lever for smooth action, adjust if required
Check engine air cleaner cartridge, service if required	Check for loose fasteners, tighten if required
Clean engine cooling system*	

*Service more often under dusty conditions, or where air borne debris is present

DATE / / HOURS.....DEALER.....

COX INDUSTRIES MOWER WARRANTY POLICY

DEFINITIONS:

"Commercial Use" means all uses other than Domestic use, including any use that is income producing, rental, or is in relation to use in schools, by government departments or charity operators.

"COX INDUSTRIES" means Cox Industries (Australia) Pty Ltd ACN 050 991 038.

"Dealer" means an authorised COX INDUSTRIES dealer a list of which can be found on our website: www.coxmowers.com.au or freecall us on 1800 330 444.

"Domestic Use" means use for a personal, residential or household (property) purpose.

"Mower" means any ride-on mower manufactured by COX INDUSTRIES.

"Parts" means all parts that can be found in a Mower.

"Warranty Period" means:

- 1) for Domestic Use, a period of two (2) years; or
- 2) for Commercial Use, a period of six (6) months, from the original date of purchase.

NEW MOWER:

Our goods come with guarantees that cannot be excluded under the Australian Consumer Law. You are entitled to a replacement or refund for a major failure and compensation for any other reasonably foreseeable loss or damage. You are also entitled to have the goods repaired or replaced if the goods fail to be of acceptable quality and the failure does not amount to a major failure.

Nothing in this Warranty purports to modify or exclude the conditions, warranties and undertakings, and other legal rights, under the Australian Consumer Law. This Warranty gives you additional protection for your Mower, and identifies a preferred approach to resolving warranty claims which will be quickest and simplest for all parties, subject to the exclusions, terms and conditions below.

WARRANTY PERIOD:

COX INDUSTRIES warrants in respect of each new Mower sold that, subject to the exclusions below, for the Warranty Period COX INDUSTRIES or a Dealer will repair or replace free of charge any Parts found to be defective in materials or workmanship under normal use and operating conditions. Other than for major failure, it is at COX INDUSTRIES sole discretion as to whether the Mower or Part is repaired or replaced.

MOWER PARTS INSTALLED DURING NEW MOWER WARRANTY PERIOD:

Warranty coverage for Parts installed during the new Mower Warranty Period shall consist of the remainder of the new mower Warranty Period or ninety (90) days, which ever is greater, provided the installation is performed by an authorised Dealer.

TO CLAIM THE WARRANTY:

To make a claim under this Warranty, please bring or send the Mower to an authorised Dealer with a copy of your proof of purchase of the Mower. A claim under this Warranty is not formally made unless and until that proof of purchase is provided. This does not detract from your statutory rights.

WARRANTY REGISTRATION:

The warranty registration card must be completed by the Dealer with the customer at the time of purchase and returned to COX INDUSTRIES within 14 days.

This Warranty is transferable to a subsequent owner of a Mower, in the event of the sale of that product, provided that COX INDUSTRIES is informed in writing within a reasonable time of the sale of the subsequent owner's name and contact details, such notice to be provided to COX INDUSTRIES. The notice should identify the name of the previous owner of the Mower, place and date of purchase, model, make and serial number of the Mower. The effective transfer of this Warranty does not otherwise alter the terms of this Warranty in any way.

WARRANTY EXCLUSIONS:

This Warranty does not cover:

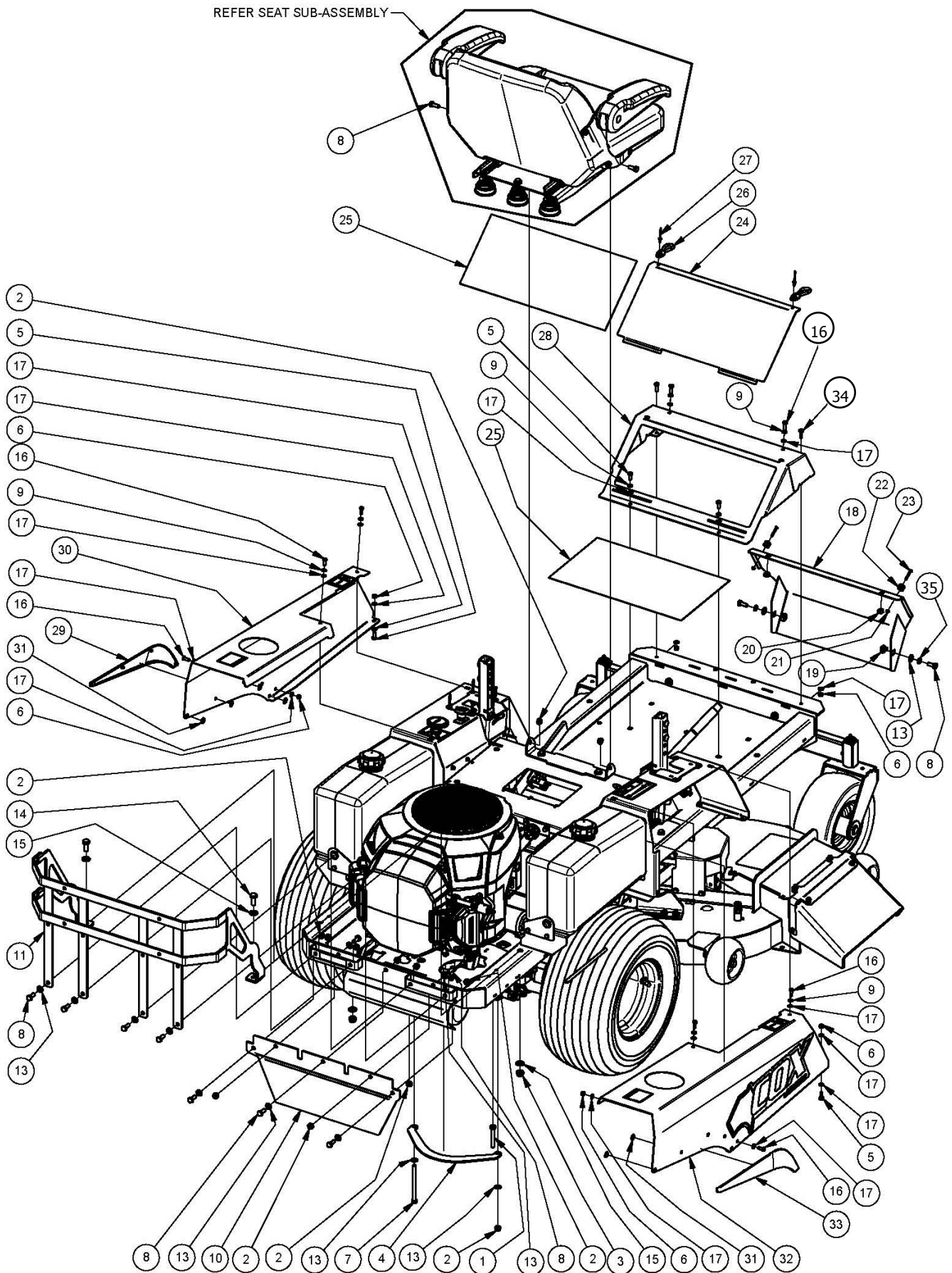
- 1) the costs of rental of another machine or related equipment while repairs are in progress;
- 2) telephone, facsimile or other related communication expenses.
- 3) transportation and insurance charges during transportation of failed Mower or any part thereof;
- 4) the labour, parts, mechanical adjustments or lubricant costs which, in the judgement of COX INDUSTRIES or their Dealer, should have been made as standard maintenance according to the COX INDUSTRIES maintenance schedule;
- 5) the replacement of or service costs relating to replacing and maintaining consumable parts which have ceased working through normal wear and tear such as, but not limited to, normal maintenance parts such as mower discs, blades, bolts and nuts, vee belts, bearings, chains and clutch cones;
- 6) any damage or defect caused by alteration, modification, fitment of a non-genuine part or attachment not approved by COX INDUSTRIES or repair, modification or work carried out on the Mower other than by a Dealer;
- 7) any defect caused by misuse, negligence, accidents or failure to carry out proper maintenance procedures;
- 8) damage caused by continued operation of the machine after it is known to be defective;
- 9) any other expenses incurred by the consumer in making the warranty claim;
- 10) damage caused by incorrect or improper operation (including racing or similar activities), maintenance or not following the instructions or maintenance requirements of the Mower in accordance with the instructions provided with the Mower;
- 11) damage caused by failure to clean or improper cleaning of the product;
- 12) damage caused by adverse external conditions such as thunderstorm activity, acts of God, acts of terrorism, damage caused by vermin, or any other act or circumstance beyond COX INDUSTRIES' control; or
- 13) damage caused by exposure to excessive heat, moisture or dampness, or exposure to abnormally corrosive conditions.

For the avoidance of any doubt, any and all warranties or conditions which are not guaranteed under the Australian Consumer Law or the Australian Competition and Consumer Regulations 2010 and which are not expressly included in this Warranty as additional warranties or conditions are excluded.

To the extent applicable by law, COX INDUSTRIES will not accept liability for costs of labour, postage, cartage or delivery to replace faulty materials or parts, or for any loss, damage or accident directly, indirectly, or consequently suffered by the purchaser, operator or any other person or property as a result of such faults whether due to defective materials or workmanship or otherwise.

Due to COX INDUSTRIES on-going commitment to product improvement, we reserve the right to change at any time, product specifications, configurations and company policies.

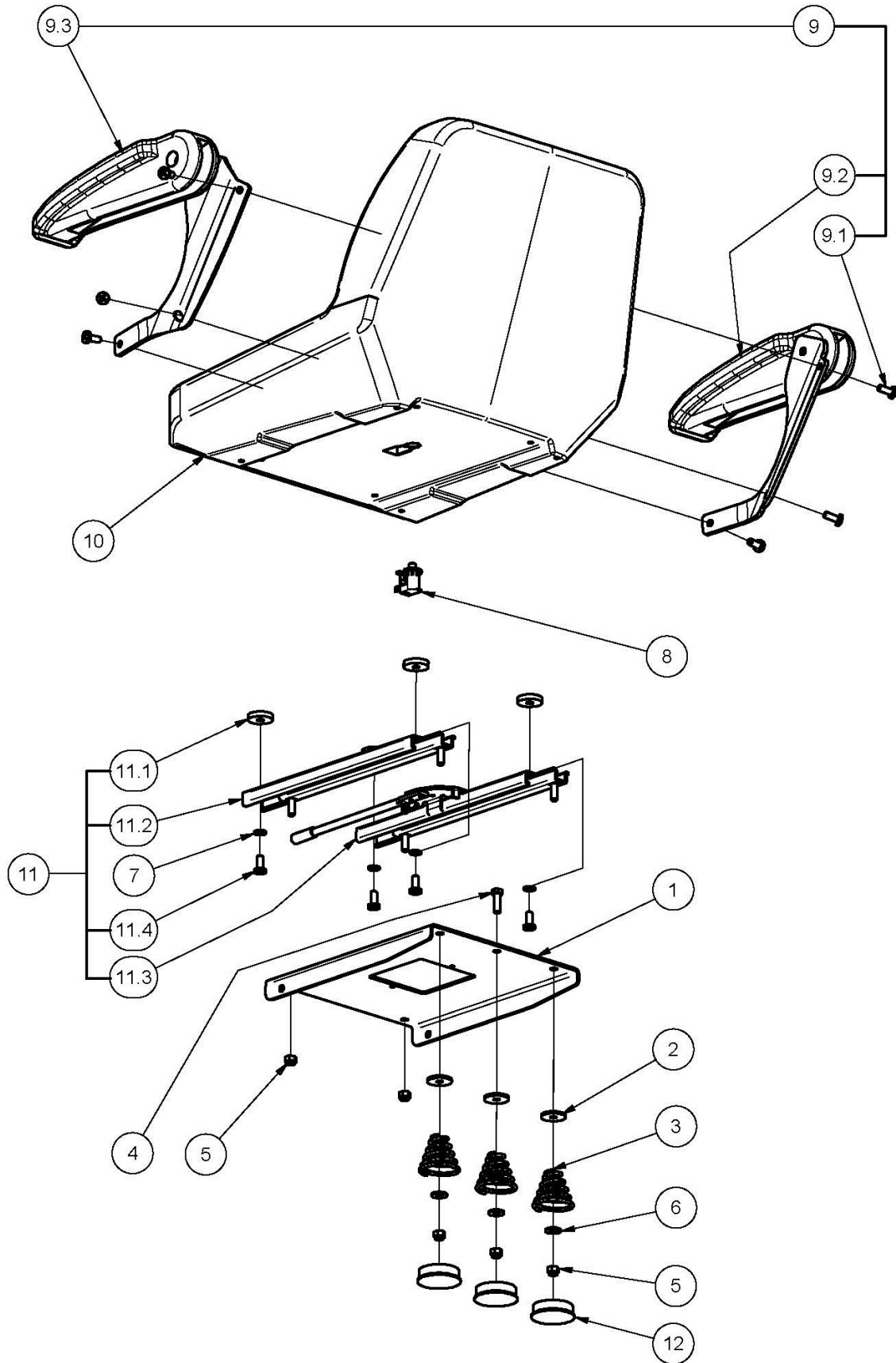
BODY OUTER COMPONENTS



BODY OUTER COMPONENTS

ITEM	PART NUMBER	DESCRIPTION	QTY
1	B0860M	Bolt	1
2	NM8NT	Nut	11
3	NM10NT	Nut	2
4	A120578R	Protector, Clutch	1
5	SH0616M	Screw	2
6	NM6NT	Nut	4
7	B08110M	Bolt	1
8	SH0820M	Screw	4
9	WS040816	Washer, Lock, Spring	4
10	A120709R	Guard, Muffler	1
11	A120743R	Grill, Engine, Red, Honda	1
	A120741B	Grill, Engine, Black, B&S	1
13	W08MN	Washer	15
14	SH1025M	Screw	2
15	W10MN	Washer	4
16	BHSSM6X16	Screw, Button, Hex Soc	8
17	W06MN	Washer	12
18	A120918R	Bumper, Front	1
19	NCM8X3.2	Nut, Cage	2
20	NCM6X1.6X9.5	Nut, Cage	2
21	NM4NT	Nut	2
22	14159	Button, Bonnet	2
23	SCM4X30	Screw, Csk	2
24	A120908R	Lid, Storage	1
25	A120805	Non-Skid, Footrest	2
26	96114	Strap, Bonnet	2
27	PR04M4.8	Rivet	2
28	A120904R	Frame, Footrest	1
29	A120912	Trim, Arch, Wheel, Left	1
30	A120925R	Mudguard, Left	1
31	AM274	Fastener, Pushon	8
32	A120928R	Mudguard, Right, Red	1
33	A120913	Trim, Arch, Wheel, Right	1
34	SH0616M	Screw	2
35	WS050216	Washer, Lock, Spring	2

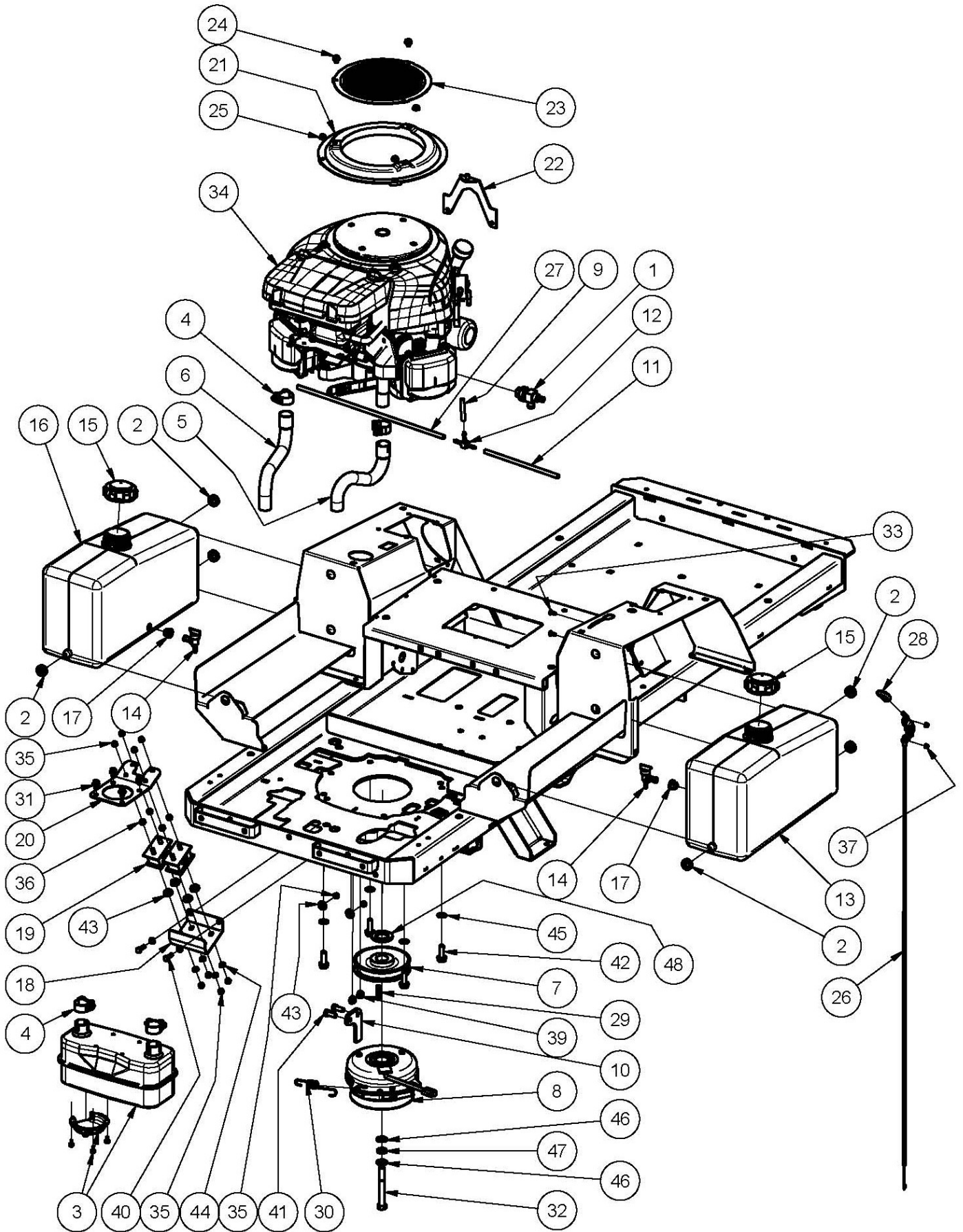
SEAT COMPONENTS



SEAT COMPONENTS

ITEM	PART NUMBER	DESCRIPTION	QTY
1	A120620R	Mount, Seat, Red	1
2	W052003	Washer	3
3	13060	Spring, Seat	3
4	SH0516C	Screw	1
5	N05CN	Nut	5
6	W05M202	Washer	3
7	WS050216	Washer, Lock, Spring	4
8	SP1PNCSM	Switch, Plunger	1
9	A120854	Kit, Armrest, T-Suit V-3505 Seat	1
9.1		Screw, Pan, Cross Recess, Unc, 5/16"X 3/4", Black	6
9.2		Armrest, Right	1
9.3		Armrest, Left	1
10	A120850	Seat	1
11	A120852	Kit, Adjust, Seat, 4" Travel	1
11.1		Spacer, 5/16"X1-1/4"X1/4", Plastic, Black	4
11.2		Runner, Seat	1
11.3		Adjuster, Seat, 4" Travel	1
11.4		Screw, Pan, Cross Recess, Unc, 5/16"X 3/4", Black	4
12	14128	Cap, Seat Spring	3

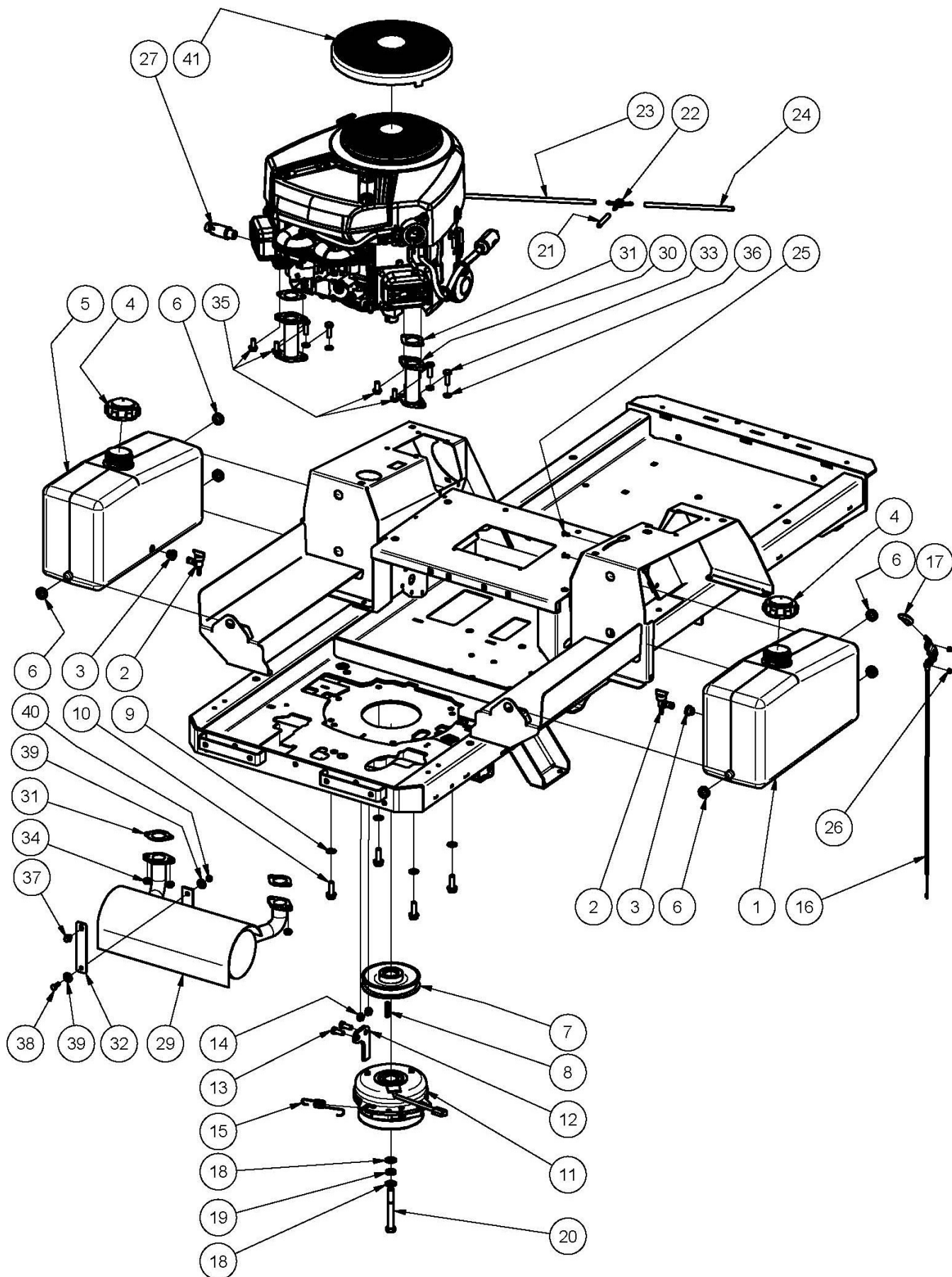
ENGINE AUXILLARY COMPONENTS 16HP HONDA



ENGINE AUXILLARY COMPONENTS 16HP HONDA

ITEM	PART NUMBER	DESCRIPTION	QTY
1	A120726	Valve, Oil, Shut Off, 15558-772-010	1
2	80037	Grommet	6
3	90167	Muffler, Exhaust	1
4	90168	Clamp, Hose, T-Bolt	4
5	A119121C	Pipe, Exhaust, Hon, 530cc, L/Boss, Left	1
6	A119123C	Pipe, Exhaust, Hon, 530cc, L/Boss, Right	1
7	A120943	Pulley, Engine	1
8	A120516	Clutch/Brake, Elec magnet	1
9	A120531	Fuel Line, 50l	1
10	A120595Z	Tang, Clutch	1
11	14107	Fuel Line, 180l	1
12	A120631	Fitting, Tee, Barb, 3/16", Brass	1
13	A120660	Tank, Fuel, 11 L, Right	1
14	AM293	Petrol Tap	2
15	CF01	Cap, Fuel	2
16	A120661	Tank, Fuel, 11 L, Left	1
17	AM294	Grommet	2
18	A120713Z	Bracket, Support, Muffler	1
19	A120715	Mount, Exhaust	2
20	A120717Z	Bracket, Mount, Exhaust	1
21	A120721	Spacer, Recoil R280, Red, Hon, 28405z0a000zc	1
22	A120722	Bracket, Recoil Mount, Hon, 28406z0a000	1
23	A120723	Protector, Comp, R280, Red, Hon19620ze3l60zd	1
24	A120724	Bolt, Flange, 6x 8, Hon, 957010600807	3
25	A120725	Nut, Flange, 6mm, Hon, 9405006070	3
26	A120755	Control, Speed, Engine, 16.0h, L=940	1
27	A120869	Line, Fuel5, L= 420	1
28	A126266	Handle, Control, Speed	1
29	AM175	Key	1
30	AM183	Spring, Extension	1
31	B0408TFS	Screw	4
32	B0756F	Bolt	1
33	BHSSM5X12	Screw, Button, Hex Soc	2
34		Engine, 16.0hp, V2cyl, Elec, Hon, Gxv530	1
35	NHCM6	Nut	10
36	NHM6	Nut	4
37	NM5NT	Nut	2
38	NM6NT	Nut	6
39	NM8NT	Nut	2
40	SH0620M	Screw	2
41	SH0820M	Screw	2
42	STF0618	Screw	4
43	W041216	Washer	6
44	W06MN	Washer	8
45	W06S	Washer, Lock	4
46	W071416	Washer	2
47	WS071008	Washer, Lock, Spring	1
48	A120944Z	Spacer, Sleeve	1

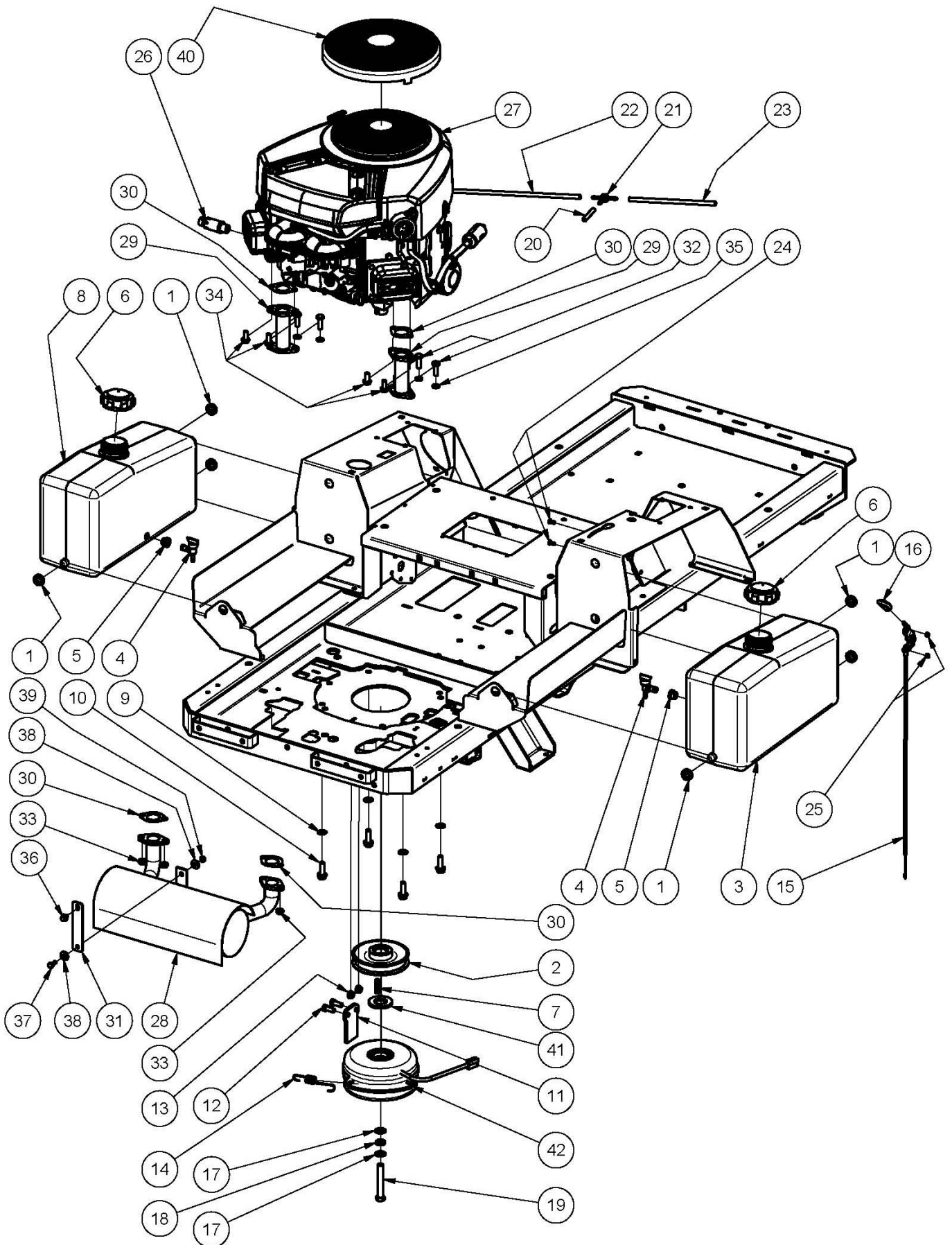
ENGINE AUXILLARY COMPONENTS 22HP & 24HP B&S 42" Cut Only



ENGINE AUXILLARY COMPONENTS 22HP & 24HP B&S 42" Cut Only

ITEM	PART NUMBER	DESCRIPTION	QTY
1	A120660	Tank, Fuel, 11 L, Right	1
2	AM293	Petrol Tap	2
3	AM294	Grommet	2
4	CF01	Cap, Fuel	2
5	A120661	Tank, Fuel, 11 L, Left	1
6	80037	Grommet	6
7	A120514	Pulley, Engine	1
8	AM175	Key	1
9	W06S	Washer, Lock, Int Tooth	4
10	STF0618	Screw	4
11	A120516	Clutch/Brake, Elec magnet	1
12	A120595Z	Tang, Clutch	1
13	SH0820M	Screw	2
14	NM8NT	Nut	2
15	AM183	Spring, Extension	1
16	A120750	Control, Speed, Engine, L= 920, No Knob	1
17	A126266	Handle, Control, Speed	1
18	W071416	Washer	2
19	WS071008	Washer, Lock, Spring	1
20	B0748F	Bolt	1
21	A164009	Fuel Line, 75l	1
22	A120631	Fitting, Tee, Barb	1
23	A120869	Line, Fuel, 5,L= 420	1
24	14107	Fuel Line, 180l	1
25	BHSSM5X12	Screw, Button, Hex Soc	2
26	NM5NT	Nut	2
27	13206	Valve, Drain, Oil	1
28	E24.0I2VEB	Engine, 24.0hp, V2cyl, Elec, B&S, Blk, 44567	1
29	A120831	Muffler, Exhaust, Engine, B&S, 22.0hp	1
30	A120727C	Pipe, Exhaust, B&S	2
31	GASKET B&S		4
32	A120748Z	Link, Mount, Muffler	1
33	SH0825M	Screw	4
34	NHCM8	Nut	4
35	Exhaust Flange Bolt		4
36	WS050216	Washer, Lock, Spring	4
37	B0408TFS	Screw	1
38	SH0616M	Screw	1
39	W041216	Washer	2
40	NHCM6	Nut	1
41	A120734	Inadvert Cover	1

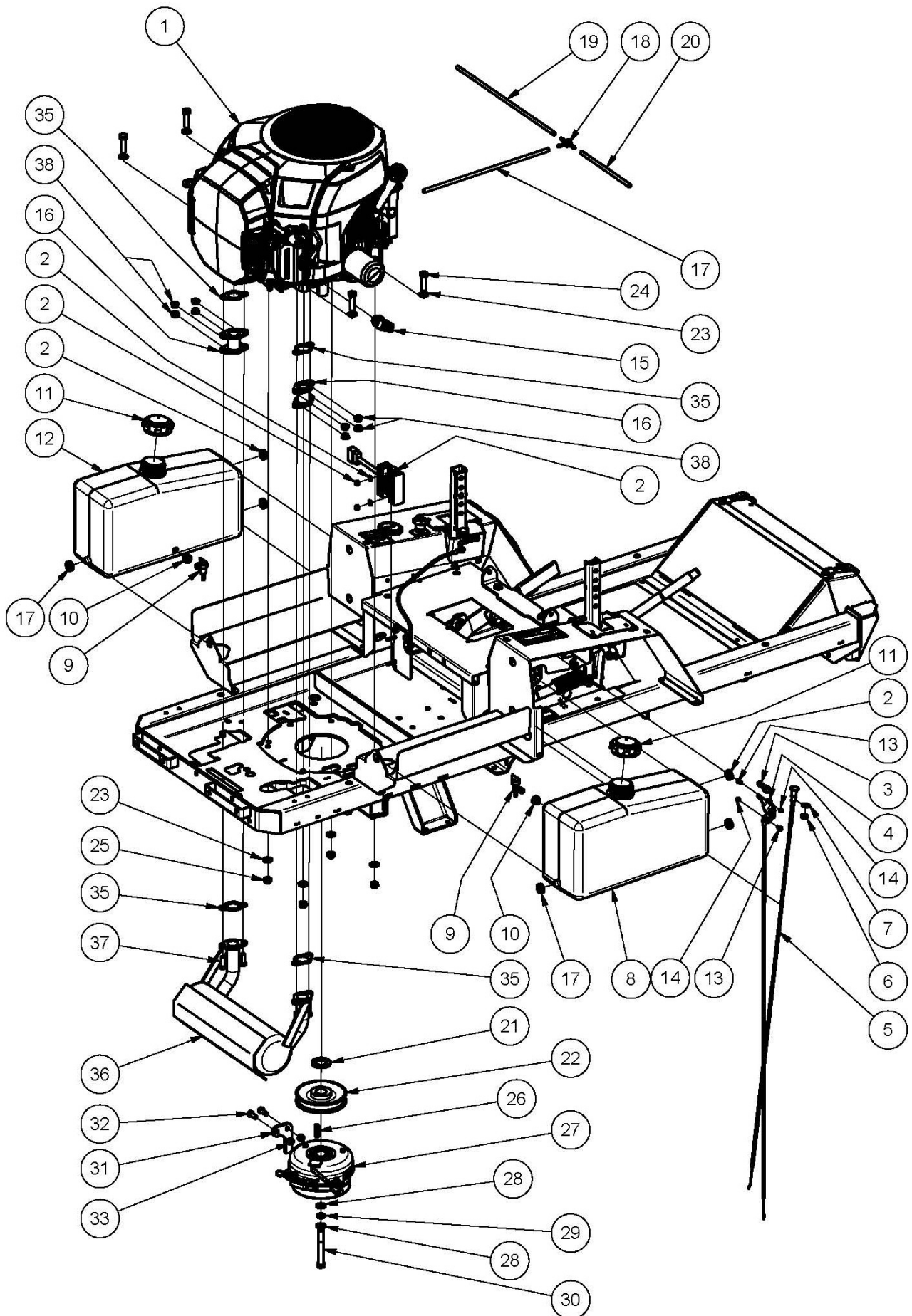
ENGINE AUXILLARY COMPONENTS 24HP B&S 48" Cut Only



ENGINE AUXILLARY COMPONENTS 24HP B&S 48" Cut Only

ITEM	PART NUMBER	DESCRIPTION	QTY
1	80037	Grommet	6
2	A120514	Pulley, Engine	1
3	A120660	Tank, Fuel, 11 L, Right	1
4	AM293	Petrol Tap	2
5	AM294	Grommet	2
6	CF01	Cap, Fuel	2
7	AM175	Key	1
8	A120661	Tank, Fuel, 11 L, Left	1
9	W06S	Washer, Lock	4
10	STF0618	Screw	4
11	A120895Z	Tang, Clutch	1
12	SH0820M	Screw	2
13	NM8NT	Nut	2
14	AM183	Spring, Extension	1
15	A120750	Control, Speed, Engine, L= 920, No Knob	1
16	A126266	Handle, Control, Speed	1
17	W071416	Washer	2
18	WS071008	Washer, Lock, Spring	1
19	B0748F	Bolt	1
20	A164009	Fuel Line, 75l	1
21	A120869	Fitting, Tee, Barb, 3/16", Brass	1
22	A120871	Line, Fuel,5, L= 420	1
23	14107	Fuel Line, 180l	1
24	BHSSM5X12	Screw, Button, Hex Soc	2
25	NM5NT	Nut	2
26	13206	Valve, Drain, Oil	1
27		Engine, 24.0hp, V2cyl, Elec, B&S, Blk, 44567	1
28	A120831	Muffler, Exhaust, Engine	1
29	A120727C	Pipe, Exhaust	2
30		Gasket B&S	4
31	A120748Z	Link, Mount, Muffler	1
32	SH0825M	Screw	4
33	NHCM8	Nut, Hex, Conelok	4
34		Exhaust Flange Bolt	4
35	WS050216	Washer, Lock, Spring	4
36	B0408TFS	Screw	1
37	SH0616M	Screw	1
38	W041216	Washer	2
39	NHCM6	Nut, Hex, Conelok	1
40	A120734	Inadvert Cover, B&S, 797420	1
41	A160003Z	Spacer, Clutch/Brake	1
42	88074	Clutch/Brake, Electromagnetic	1

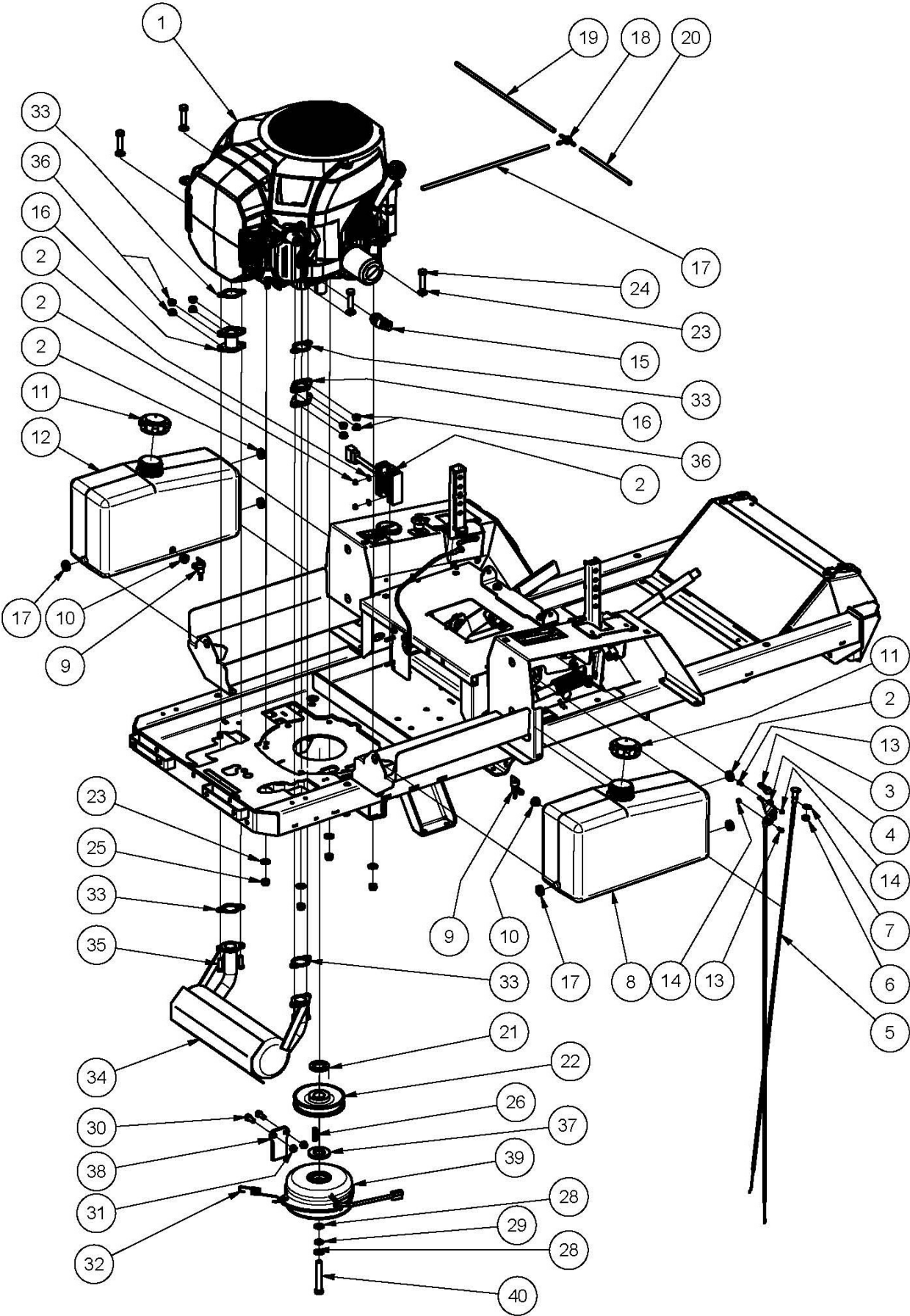
ENGINE AUXILLIARY COMPONENTS 23HP HONDA 42" Cut Only



ENGINE AUXILLIARY COMPONENTS 23HP HONDA 42" Cut Only

ITEM	PART NUMBER	DESCRIPTION	QTY
1		Engine, 23.0hp, V2cyl, Elec, Hon, GXV630	1
2	80037	Grommet	4
3	A126266	Handle, Control, Speed	1
4	A120755	Control, Speed, Engine, L=940	1
5	A120856	Control, Choke	1
6	N06FT	Nut	1
7	W06S	Washer, Lock	1
8	A120660	Tank, Fuel, 11 L, Right	1
9	AM293	Petrol Tap	2
10	AM294	Grommet	2
11	CF01	Cap, Fuel	2
12	A120661	Tank, Fuel, 11 L, Left	1
13	BHSSM5X12	Screw, Button, Hex Soc	1
14	NM5NT	Nut	1
15	A120726	Valve, Oil, Shut Off, 15558-772-010	1
16	A120843C	Pipe, Exhaust	2
17	A120629	Fuel Line, 360l	1
18	A120631	Fitting, Tee, Barb, 3/16", Brass	1
19	A120869	Line, Fuel, 5,L= 420	1
20	14107	Fuel Line, 180l	1
21	A120944Z	Spacer, Sleeve	1
22	A120943	Pulley, Engine	1
23	W10MN	Washer	8
24	B1040M	Bolt	4
25	NHCM10	Nut, Hex, Conelok	4
26	AM175	Key	1
27	A120516	Clutch/Brake, Elecmagnet	1
28	W071416	Washer	2
29	WS071006	Washer, Lock, Spring	1
30	B0756F	Bolt	1
31	A120595Z	Tang, Clutch	1
32	SH0820M	Screw	2
33	NM8NT	Nut	2
34	AM183	Spring, Extension	1
35	A120842	Gasket, Exhaust, Hon, 18333-Ze3-801	4
36	A120841	Muffler, Exhaust, Honda	1
37	SH0825M	Screw	4
38	NFM8	Nut, Hex, Flange	4

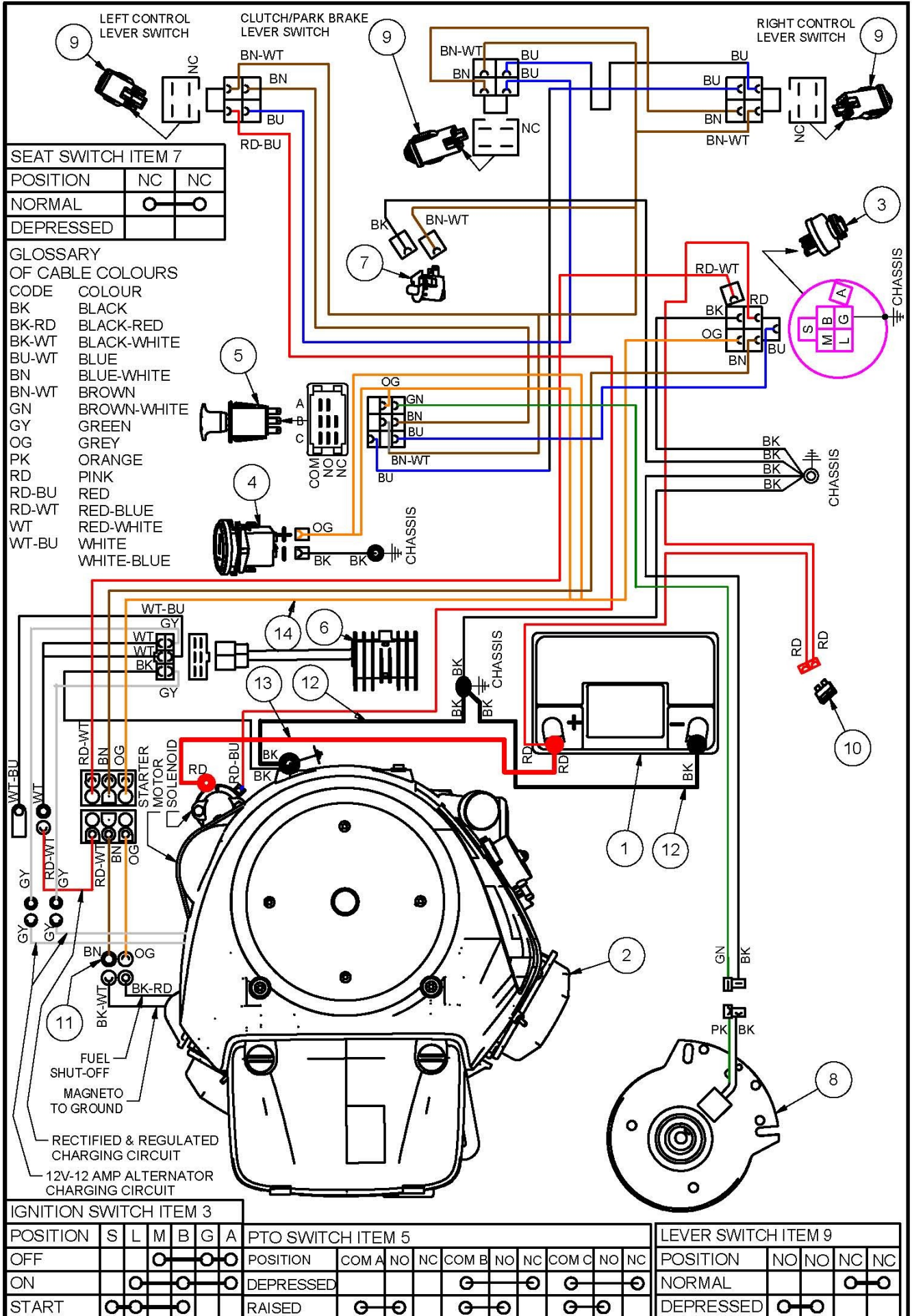
ENGINE AUXILLARY COMPONENTS 23HP HON 48" Cut Only



ENGINE AUXILLARY COMPONENTS 23HP HON 48" Cut Only

ITEM	PART NUMBER	DESCRIPTION	QTY
1		Engine, 23.0hp, V2cyl, Elec, Hon, GXV630	1
2	80037	Grommet	4
3	A126266	Handle, Control, Speed, Black	1
4	A120755	Control, Speed, Engine, L=940	1
5	A120856	Control, Choke	1
6	N06FT	Nut	1
7	W06S	Washer, Lock	1
8	A120660	Tank, Fuel, 11 L, Right	1
9	AM293	Petrol Tap	2
10	AM294	Grommet	2
11	CF01	Cap, Fuel	2
12	A120661	Tank, Fuel, 11 L, Left	1
13	BHSSM5X12	Screw, Button, Hex Soc	1
14	NM5NT	Nut	1
15	A120726	Valve, Oil, Shut Off, 15558-772-010	1
16	A120843C	Pipe, Exhaust	2
17	A120629	Fuel Line, 360l	1
18	A120631	Fitting, Tee, Barb, 3/16", Brass	1
19	A120869	Line, Fuel, 5, L= 420	1
20	14107	Fuel Line, 180l	1
21	A120944Z	Spacer, Sleeve	1
22	A120943	Pulley, Engine	1
23	W10MN	Washer	8
24	B1040M	Bolt	4
25	NHCM10	Nut, Hex, Conelok	4
26	AM175	Key	1
28	W071416	Washer	2
29	WS071006	Washer, Lock, Spring	1
30	SH0820M	Screw	2
31	NM8NT	Nut	2
32	AM183	Spring, Extension, Park Brake	1
33	A120842	Gasket, Exhaust, Hon, 18333-Ze3-801	4
34	A120841	Muffler, Exhaust, Honda	1
35	SH0825M	Screw	4
36	NFM8	Nut, Hex, Flange	4
37	A160003Z	Spacer, Clutch/Brake	1
38	A120895Z	Tang, Clutch, Znpl	1
39	88074	Clutch/Brake, Electromagnetic	1
40	B0748F	Bolt	1

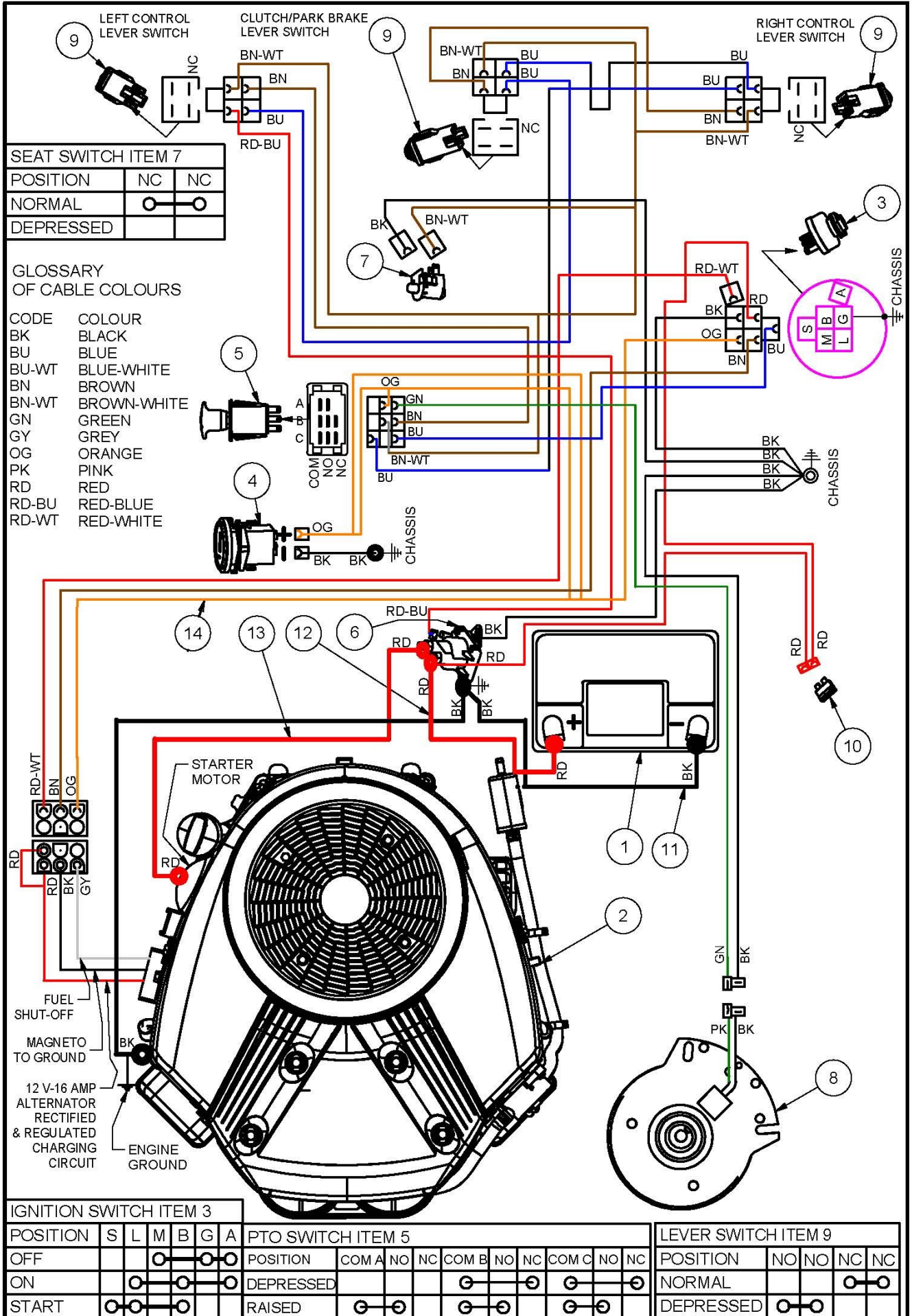
A12012B WIRING DIAGRAM HON 16.0 HP



ELECTRICAL COMPONENTS 16HP HONDA

ITEM	PART NUMBER	DESCRIPTION	QTY
1		Battery (purchase locally)	1
2		Engine	1
3	KIT250	Kit, Switch, Key, 3 Posn, Magneto, Inc Bezel	1
4	AM211	Hour Meter	1
5	A102136	Switch, PTO	1
6		Regulator/Rectifier, Honda	1
7	SP1PNCM	Switch, Plunger	1
8	A120516	Clutch/Brake, Elec magnet	1
9	SKIT133	Switch, Plunger Incl Cover	3
10		Fuse, Blade, 15AMP Blue	1
11	A143113	Harness, Wiring, Engine, Honda	1
12	15235	Lead, Battery, Black	1
13	84132	Lead, Battery, Red	1
14	A120705	Harness, Wiring, Main	1
	A102190	Ring, Retainer, Switch, Pto	1
	14130	Cover, Battery, Terminal	2
	CSP2SM	Cover, Switch, Plunger	2
	AM015	Key, Switch	1
	SH0616M	Screw	4
	A120707Z12H	Bracket, Mounting, Regulator/Rectifier	1
	N04C	Nut	2
	NM6NT	Nut	2
	W040818	Washer	2
	A120567R	Restraint, Battery, Red	1
	WS040816	Spring Washer	4
	W06MN	Washer	4
	A120569	Spill Mat	1
	B0625M	Bolt	2

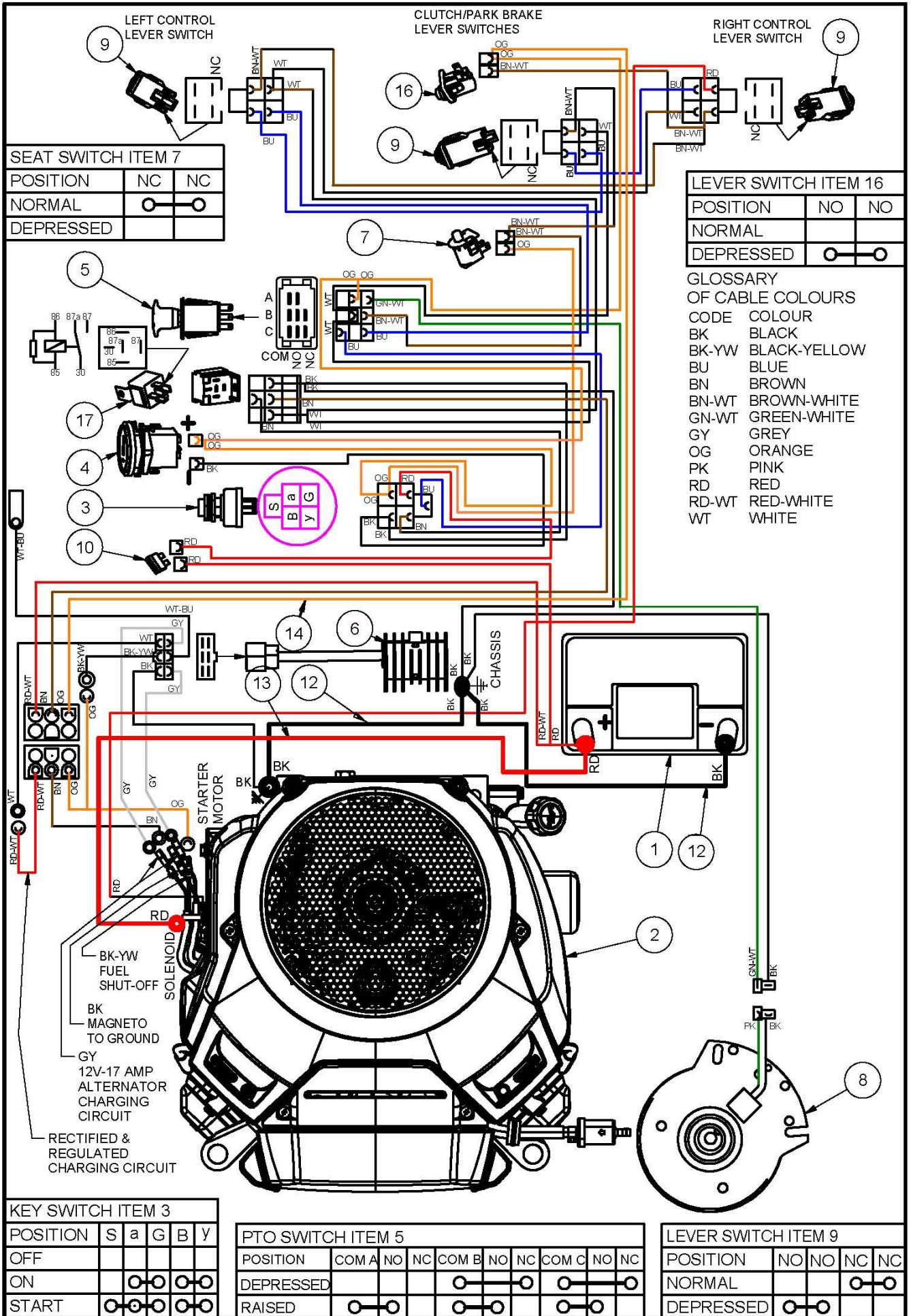
A12012B WIRING DIAGRAM B&S 24.0 HP



ELECTRICAL COMPONENTS 22HP & 24HP B & S

ITEM	PART NUMBER	DESCRIPTION	QTY
1		Battery (purchase locally)	1
2		Engine	1
3	KIT250	Kit, Switch, Key, 3 Posn, Magneto, Inc Bezel	1
4	AM211	Hour Meter	1
5	A102136	Switch, PTO	1
6	KIT249	Solenoid	1
7	SP1PNCSM	Switch, Plunger	1
8	A120516	Clutch/Brake, Elec magnet	1
9	SKIT133	Switch, Plunger Incl Cover	3
10		Fuse, Blade, 20AMP Yellow	1
11	15235	Lead, Battery, Black	1
12	A120527	Lead, Battery, Red, L=150	1
13	84132	Lead, Battery, Red, L=295	1
14	A120705	Harness, Wiring, Main	1
	A102190	Ring, Retainer, Switch, Pto	1
	14130	Cover, Battery, Terminal	2
	CSP2SM	Cover, Switch, Plunger	2
	AM015	Key, Switch	1
	SH0616M	Screw	6
	A120563Z12J	Bracket, Mounting, Solenoid	1
	N04C	Nut	2
	NM6NT	Nut	2
	W040818	Washer	2
	A120567R	Restraint, Battery, Red	1
	WS040816	Spring Washer	4
	W06MN	Washer	4
	A120569	Spill Mat	1

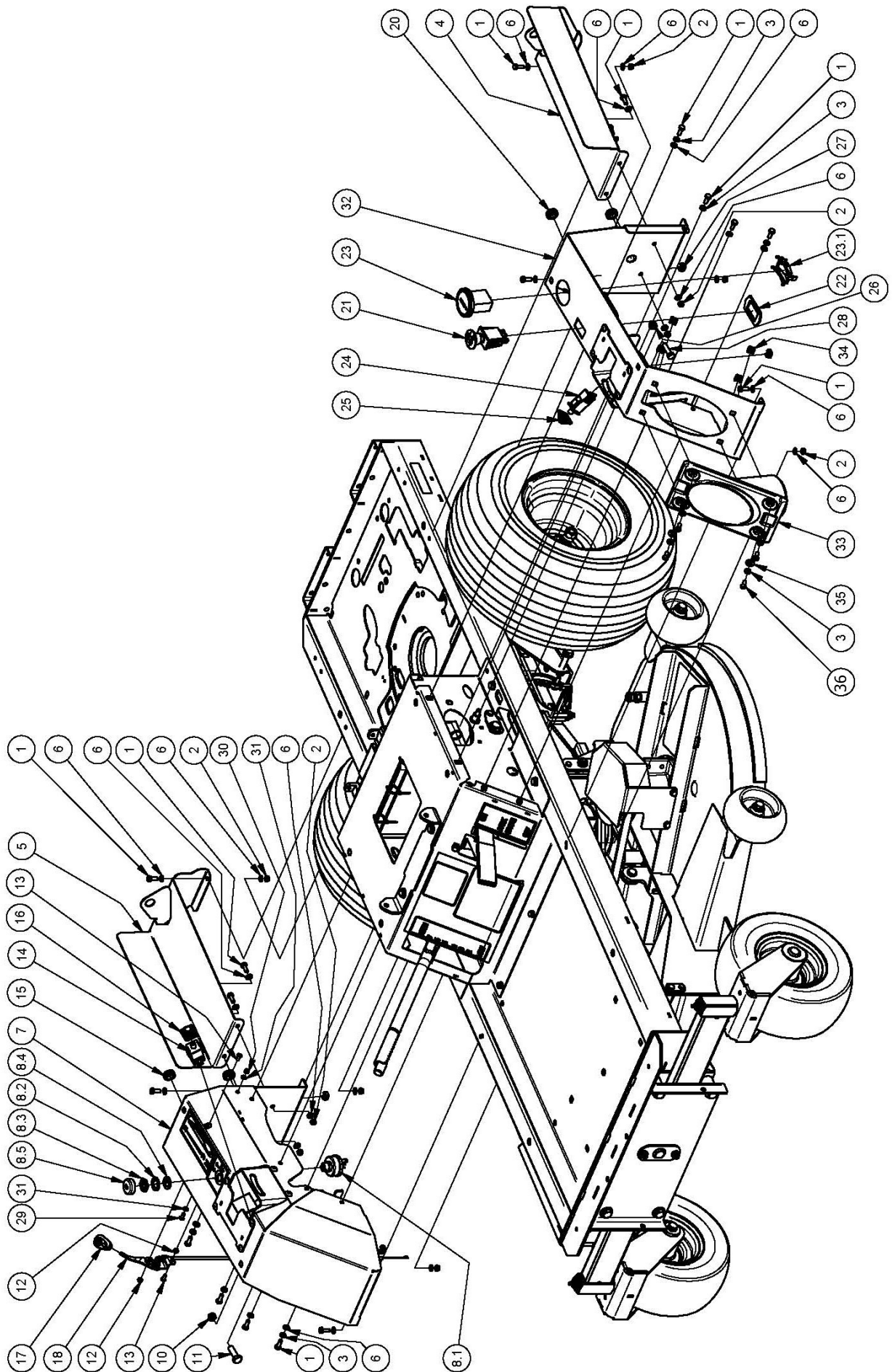
A12012H WIRING DIAGRAM HON 23.0 HP



ELECTRICAL COMPONENTS 23HP HONDA

ITEM	PART NUMBER	DESCRIPTION	QTY
1		Battery, Supercharge, Mfu1, 340cca	1
2		Engine, 23.0hp, V2cyl, Elec, Hon, Gxv630	1
3	A120839	Switch, Key	1
4	AM211	Hour Meter	1
5	A102136	Switch, Pto, Push-Pull, Nodtdt, Yellow, Horiz	1
6		Regulator/Rectifier, Honda	1
7	SP1PNCMS	Switch, Plunger, 1 Pole, Nc, Snap Mtg	1
8	A120516	Clutch/Brake, Elec magnet	1
9	SKIT133	Switch, Plunger Incl Cover	3
10		Fuse, Blade, 20 Amp, Yellow	1
11	A120857	Harness, Wiring, Engine, Hon, 23.0	1
12	15235	Lead, Battery, Black	1
13	89092	Lead, Battery, Red, L=295	1
14	A120705	Harness, Wiring, Main, Cruiser	1
16	SKIT132	Switch, Plunger Incl Cover	1
17		Relay, Change Over, 12v, 30a	1
	CSP2PSM	Cover, Switch, Plunger	3
	CSPIPSM	Cover, Switch, Plunger	1
	A120190	Ring, Retainer, Switch, Pto	1
	14130	Cover, Terminal, Batter, Red	1
	A120863	Hardware, Pair, Key, Miled+Nut+Lockwasher	1
	SH0616M	Screw	6
	A120707Z12H	Bracket, Mounting, Regulator/Rectifier	1
	N04C	Nut	2
	NMCNT	Nut	2
	W06MN	Washer, Flat	4
	NHM6	Nut	2
	WS040816	Washer, Lock, Spring	4
	A120569	Spill, Mat	1
	B0625M	Bolt	2

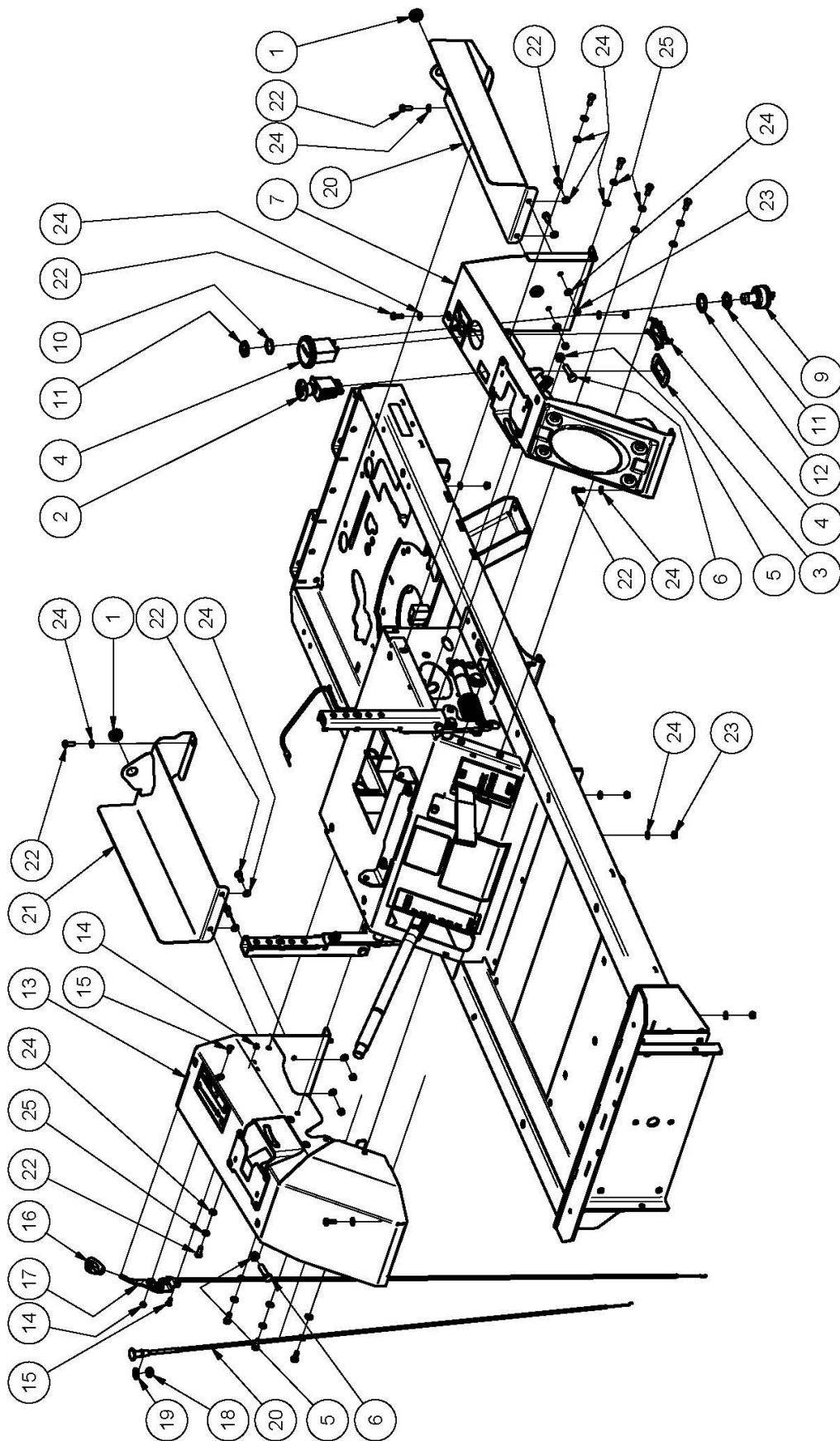
CONSOLE COMPONENTS 16HP HONDA, 22HP,24HP B&S



CONSOLE COMPONENTS 16HP HONDA, 22HP,24HP B&S

ITEM	PART NUMBER	DESCRIPTION	QTY
1	SH0616M	Screw	26
2	NM6NT	Nut	26
3	WS040816	Washer, Lock, Spring	23
4	A120920B	Mount, Tank, Fuel, Left	1
5	A120922B	Mount, Tank, Fuel, Right	1
6	W06MN	Washer	41
7	A120878	Console, Right	1
8	KIT250	Kit, Switch, Key, 3 Posn, Magneto, Inc Bezel	1
8.1		Body, Switch, Key, Magneto, 3 Posn, 6 Term, 5/8"Unf	1
8.2	W10S	Washer, Lock, Int Tooth, 5/8"	1
8.3		Nut, Hex, Pressed, Unf, 5/8"	1
8.4	A120872Z	Washer, D	1
8.5	A120870	Bezel, Switch, Key, 5/8"	1
9	NCM6X1.6X9.5	Nut, Cage	2
10	NM8NT	Nut	1
11	SH1030M	Screw	1
12	NM5NT	Nut	2
13	BHSSM5X12	Screw, Button, Hex Soc	2
14	SP2PNONCSM	Switch, Plunger	1
15	80037	Grommet	2
16	CSP2PSM	Cover, Switch, Plunger	1
17	A126266	Handle, Control, Speed	1
18	A120770	Control, Speed, Engine, No Knob	1
19	A120877	Console, Left	1
20	80037	Grommet	2
21	A102136	Switch, PTO, Push-Pull	1
22	A102190	Ring, Retainer, Switch, PTO	1
23	AM211	Hour Meter	1
24	SP2PNONCSM	Switch, Plunger	1
25	CSP2PSM	Cover, Switch, Plunger	1
26	NM8NT	Nut	1
27	NCM6X1.6X9.5	Nut, Cage	2
28	SH0830M	Screw	1
29	BHSSM5X12	Screw, Button, Hex Soc	1
30	NM5NT	Nut	1
31	W05MN	Washer	2
32	A120937R	Console, Left	1
33	A120911	Holder, Drink	1
34	NCM6X1.6X9.5	Nut, Cage	4
35	W041018	Washer	4
36	BHSSM6X16	Screw, Button, Hex Soc	4

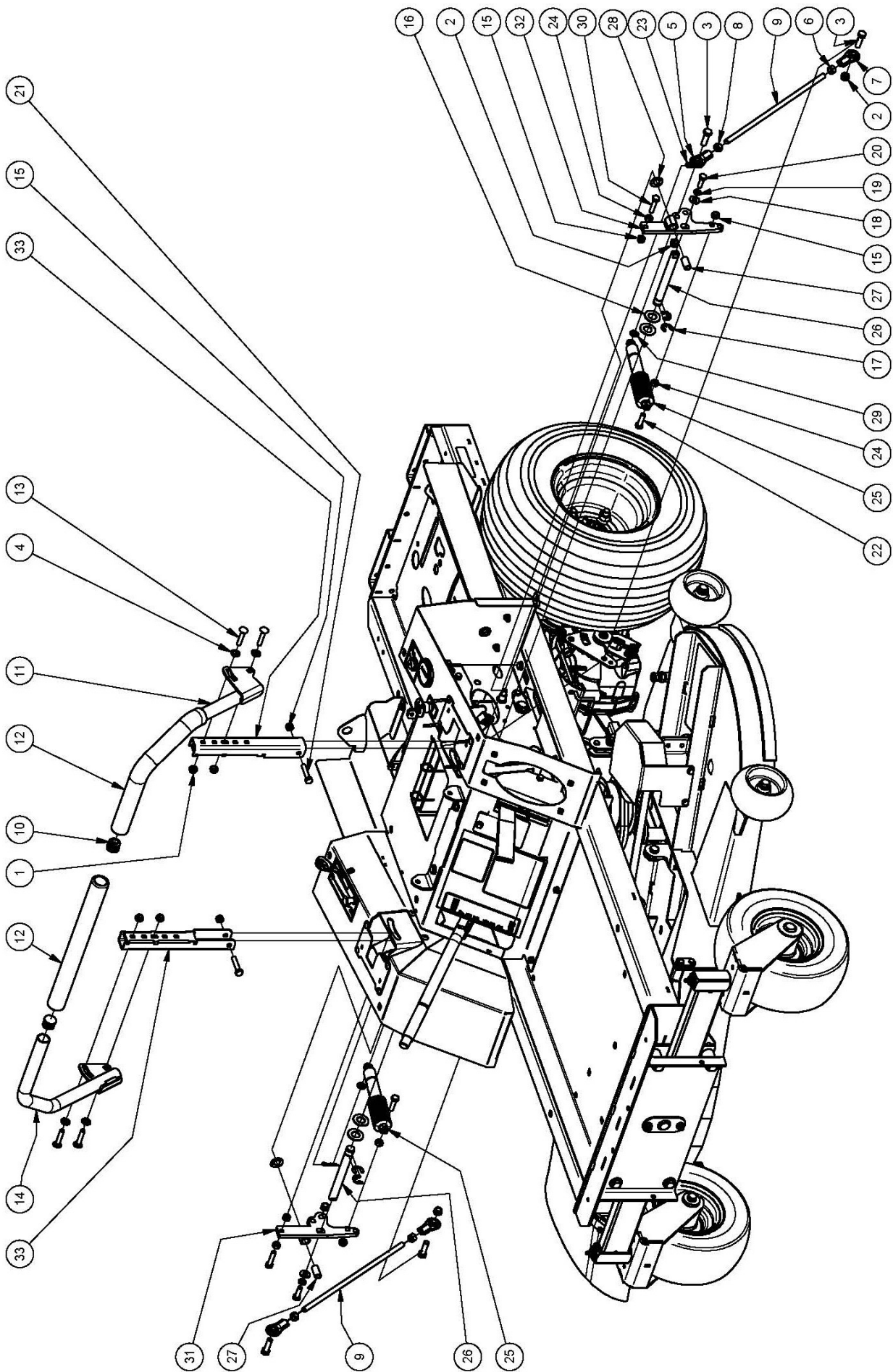
CONSOLE COMPONENTS 23HP HONDA



CONSOLE COMPONENTS 23HP HONDA

ITEM	PART NUMBER	DESCRIPTION	QTY
1	80037	Grommet	6
2	A102136	Switch, Pto	1
3	A102190	Ring, Retainer, Switch, Pto	1
4	AM211	Hour Meter	1
5	NM8NT	Nut	2
6	SH0830M	Screw	2
7	A120941R	Console, Left, Hon	1
8	A120839	Switch, Key	1
9		Body, Switch, Key	1
10		Washer, Lock	1
11		Nut	2
12	WM20S	Washer, Lock	1
13	A120848R	Console, Right	1
14	NM5NT	Nut	2
15	BHSSM5X12	Screw, Button, Hex Soc	2
16	A126266	Handle, Control, Speed	1
17	A120856	Control, Choke	1
18	N06FT	Nut	1
19	W06S	Washer, Lock	1
20	A120920B	Mount, Tank, Fuel, Left	1
21	A120922B	Mount, Tank, Fuel, Right	1
22	SH0616M	Screw	18
23	NM6NT	Nut	10
24	W06MN	Washer	28
25	WS040816	Washer, Lock	8

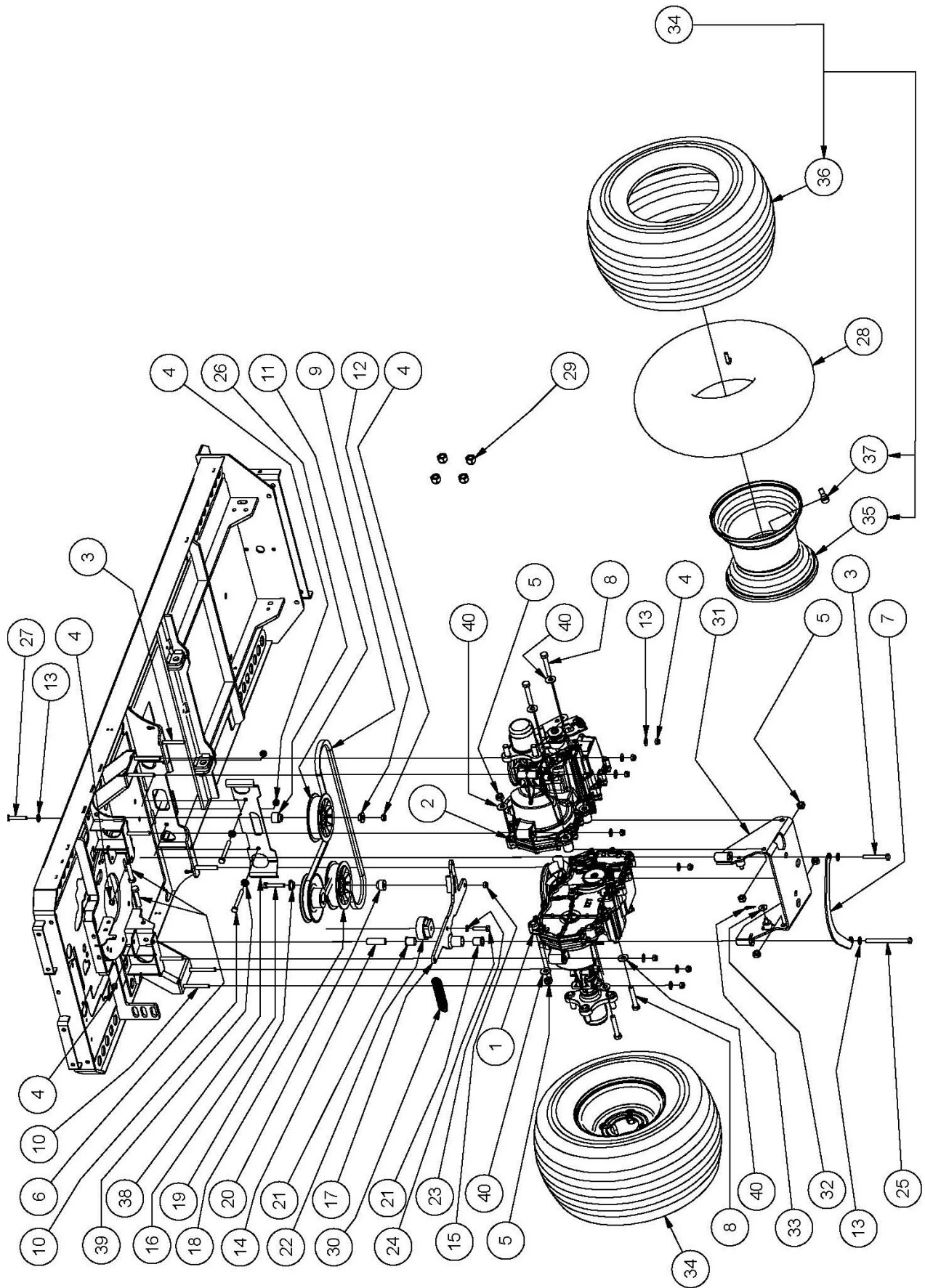
DRIVE CONTROL COMPONENTS



DRIVE CONTROL COMPONENTS

ITEM	PART NUMBER	DESCRIPTION	QTY
1	NM8NT	Nut	4
2	N06CN	Nut	4
3	B0620C	Bolt	4
4	A120688	Washer	4
5	AM020	End, Rod, Stamp	2
6	N06F	Nut	2
7	RE38LHINT	End, Rod, Stamp	2
8	N06FLH	Nut	2
9	A120900Z	Rod, Link	2
10	A120522	Plug	2
11	A120586R11J	Lever, Control, Left	1
12	A120686	Grip, Hand	2
13	BCHSNM8X40	Bolt, Cup, Sq Neck	4
14	A120584R11J	Lever, Control, Right	1
15	NM8NT	Nut	9
16	W102015	Washer	4
17	C05	Circlip, Ext, "E"Type	4
18	W05M202	Washer	4
19	WS050216	Washer, Lock, Spring	2
20	SH0825M	Screw	2
21	B0840M	Bolt	2
22	B0830M	Bolt	2
23	RP01	Pin, 'R'	2
24	NHM8	Nut	4
25	A120127	Damper	2
26	A120560Z	Shaft, Lever, Control	2
27	A120663Z	Bush, Pivot, Lever, Control	2
28	WW0816	Wave Washer	2
29	W08MN	Washer	2
30	B0835M	Bolt	2
31	A120773Z13G	Lever, Control, Right	1
32	A120771Z13G	Lever, Control, Left	1
33	A120775Z13G	Link, Lever, Control	2

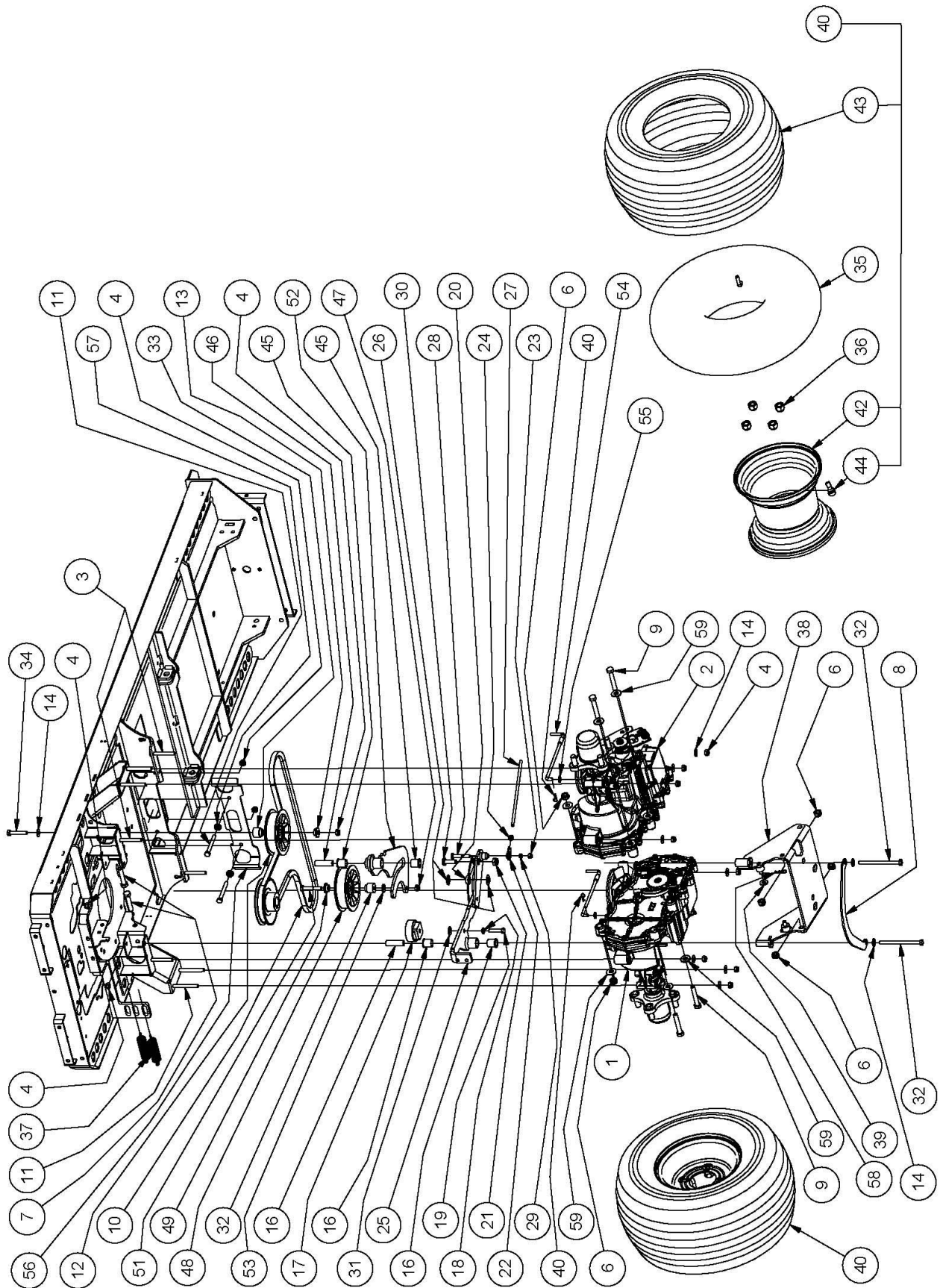
DRIVE COMPONENTS (42" ONLY)



DRIVE COMPONENTS (42" ONLY)

ITEM	PART NUMBER	DESCRIPTION	QTY
1		Transaxle, Hydro, HYG,ZC-DPBB-4D7C-1WPX	1
2		Transaxle, Hydro, HYG,ZC-APBB-4D7B-1WPX	1
3	B0860M	Bolt	5
4	NM8NT	Nut	13
5	NM10NT	Nut	6
6	B1050M	Bolt	2
7	A120578R	Protector, Clutch	1
8	B1060M	Bolt	4
9	V57	Belt, V	1
10	B0870M	Bolt	6
11	PIFBB02	Idler, Flat	2
12	14025	Boss, Idler	2
13	W051218	Washer	11
14	14070	Sleeve, Pivot, Drive Belt Tensioning Arm	1
15	NM8NT	Nut	1
16	B0845M	Bolt	2
17	A120625Z	Arm, Tensioner, Belt, Hydro	1
18	PIFBB02	Idler, Flat	1
19	14025	Boss, Idler	1
20	A102125Z	Boss, Idler	1
21	A120685	Bush, Pivot, Tensioner	2
22	A120683Z14H	Guide, Belt	1
23	WS050216	Washer, Lock, Spring	1
24	B0835M	Bolt	1
25	B08110M	Bolt	1
26	15176	Boss, Idler	1
27	B0845M	Bolt	1
28	STU18X850-8-SS	Tube (optional)	3
29	NHWF08	Nut, Hex, Wheel	8
30	AM040	Spring Extension	1
31	A120576R12J	Brace, Transmission	1
32	W05M202	Washer	1
33	RP04	Pin, 'R'	1
34	A120865	Wheel	2
35		Rim	1
36	TT18X950-8SS	Tyre, Tubeless	1
37	VSS	Valve, Tubeless	1
38	A164005R	Guide Belt, Pulley	1
39	NFM8	Nut, Hex, Flange, Serated	2
40	W10M	Washer	6

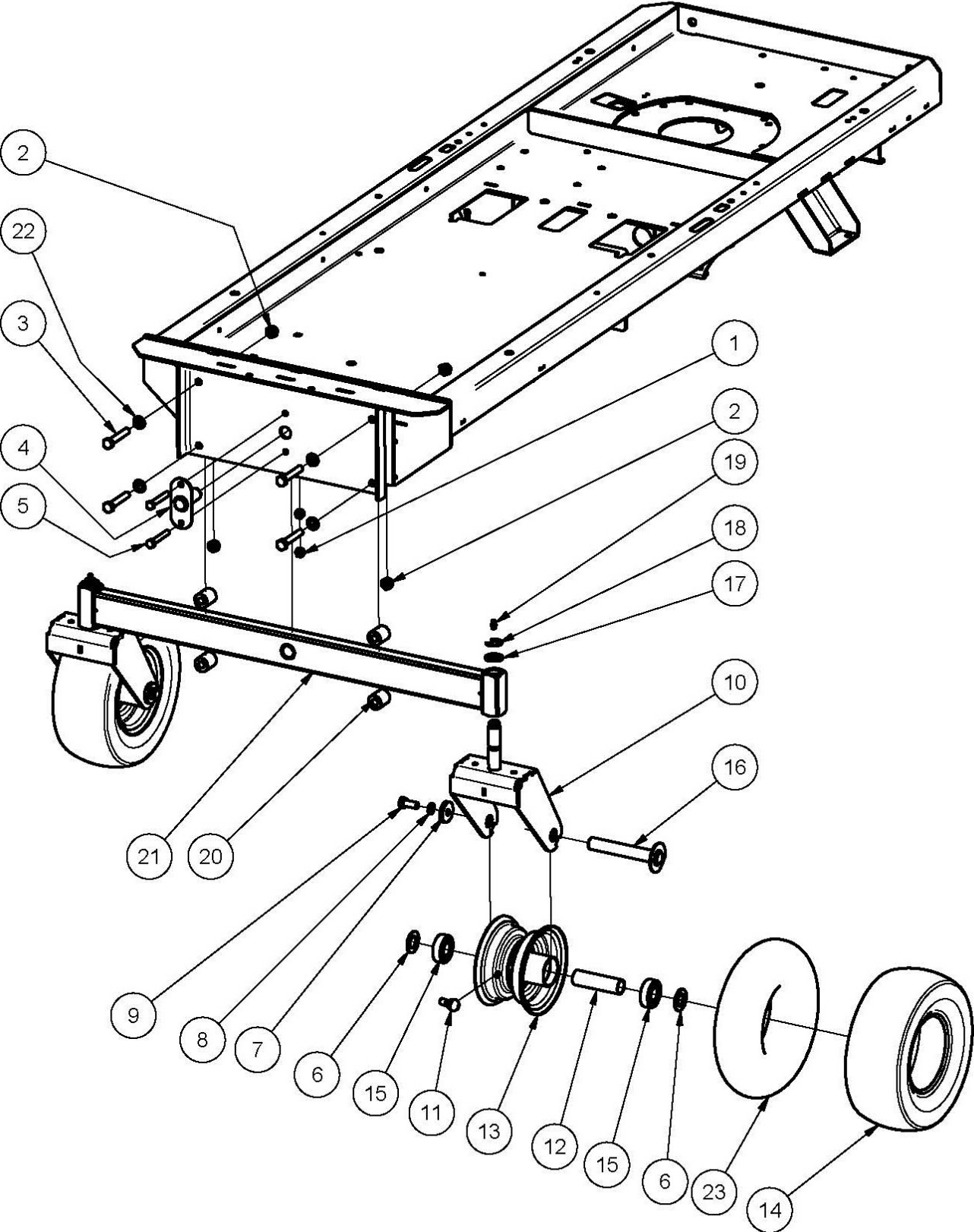
DRIVE COMPONENTS (48" ONLY)



DRIVE COMPONENTS (48" ONLY)

ITEM	PART NUMBER	DESCRIPTION	QTY
1		Transaxle, Hydro, Hyg,Zc-Dpbb-4d7c-14px	1
2		Transaxle, Hydro, Hyg,Zc-Apbb-4d7b-14px	1
3	B0860M	Bolt	4
4	NM8NT	Nut	12
6	NM10NT	Nut	7
7	B1050M	Bolt	2
8	A120578R	Protector, Clutch	1
9	B1060M	Bolt	4
10	V63	Belt, V	1
11	B0870M	Bolt	6
12	PIFBB02	Idler, Flat	2
13	14025	Boss, Idler	2
14	W051218	Washer	11
15	14070	Sleeve, Pivot, Drive Belt Tensioning Arm	2
16	A120685	Bush, Pivot, Tensioner	4
17	A120683Z14H	Guide, Belt	1
18	WS050216	Washer, Lock, Spring	1
19	B0835M	Bolt	1
20	BB102206N	Bearing, Ball	1
21	NM10NT	Nut	1
22	RE14INT	End, Rod, Stamp	1
23	N04CN	Nut	1
24	N04F	Nut	1
25	A160034Z	Arm, Tensioner	1
26	A160032Z	Spacer, Locate, Bearing	2
27	A160080Z	Rod, Link, Disengage, Drive	1
28	B0428C	Bolt	1
29	A160036Z	Sleeve, Clamp, End, Rod	1
30	BHSSM10X30	Screw, Button, Hex Soc	1
31	W05M202	Washer	1
32	B08110M	Bolt	2
33	15176	Boss, Idler	2
34	B0845M	Bolt	1
35	STU18X850-8-SS	Tube (optional)	3
36	NHWF08	Nut	8
37	AM264	Spring, Extension	2
38	A120576R12J	Brace, Transmission	1
39	W05M202	Washer	1
40	RP04	Pin, 'R'	2
41	A120865	Wheel	2
42		Rim	1
43	TT18X950-8SS	Tyre, Tubeless	1
44	VSS	Valve, Tubeless	1
45	A120685	Bush, Pivot, Tensioner	2
46	14070	Sleeve, Pivot, Drive Belt Tensioning Arm	1
47	NM8NT	Nut	1
48	PIFBB02	Idler, Flat	1
49	14025	Boss, Idler	1
50	15176	Boss, Idler	1
51	B0850M	Bolt	1
52	A160028Z	Arm, Idler	1
53	W05M202	Washer	1
54	A160082Z	Selector, Bypass	2
55	W041018	Washer	2
56	A164003R	Guide, Belt, Pulley	1
57	NFM8	Nut, Hex, Flange, Serated	2
58	RP01	Pin, 'R'	1
59	W10M	Washer	6

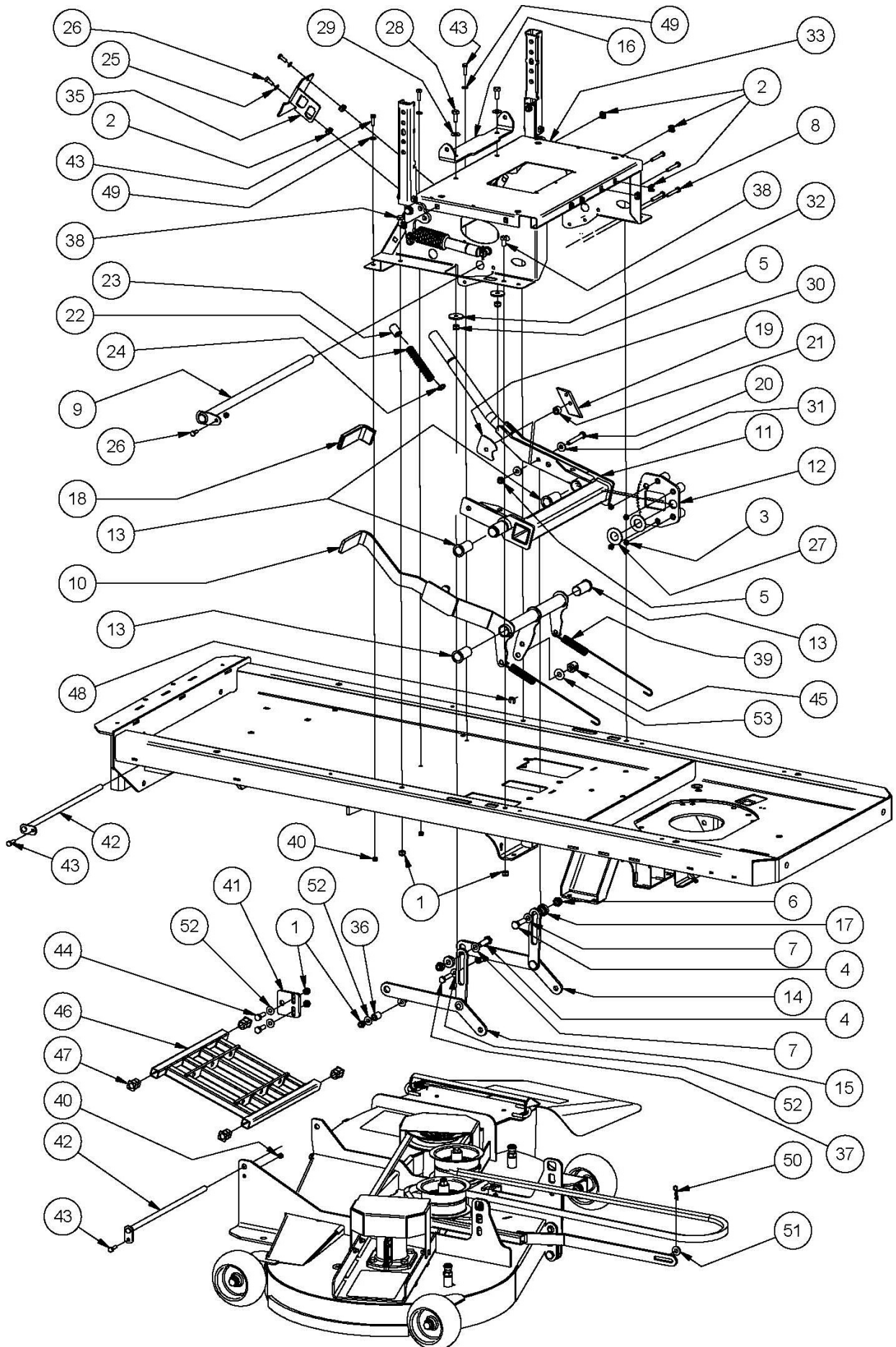
FRONT AXLE COMPONENTS



FRONT AXLE COMPONENTS

ITEM	PART NUMBER	DESCRIPTION	QTY
1	NM8NT	Nut	2
2	NM10NT	Nut	4
3	B1060M	Bolt	4
4	A120593Z	Pin, Front Axle Pivot	1
5	B0860M	Bolt	2
6	W20MN	Washer, Flat	4
7	W103506	Washer, Flat	2
8	WSM10X3.7X2.5	Washer, Lock, Spring	2
9	SH1025M	Screw	2
10	A120588Z	Fork, Caster	2
11	VSS	Valve, Tubeless	2
12	A120520	Sleeve, Spacer, Bearing	2
13	A120592	Wheel incl Bearings	2
14	TT11x400-5SS	Tyre, Tubeless	2
15	BB204714NN	Bearing, Ball	4
16	A120609Z	Axle, Wheel	2
17	AM336	Washer, Sealing, Shaft	2
18	C02	Circlip	2
19	GNTF3	Nipple, Grease	2
20	A120605Z	Spacer, Front Axle Cheek Plate	4
21	A120523R	Beam, Axle, Caster	1
	90130	Buffer, Rubber	4
22	W10M	Washer	4
23	STU350x5	Tube (Optional)	1

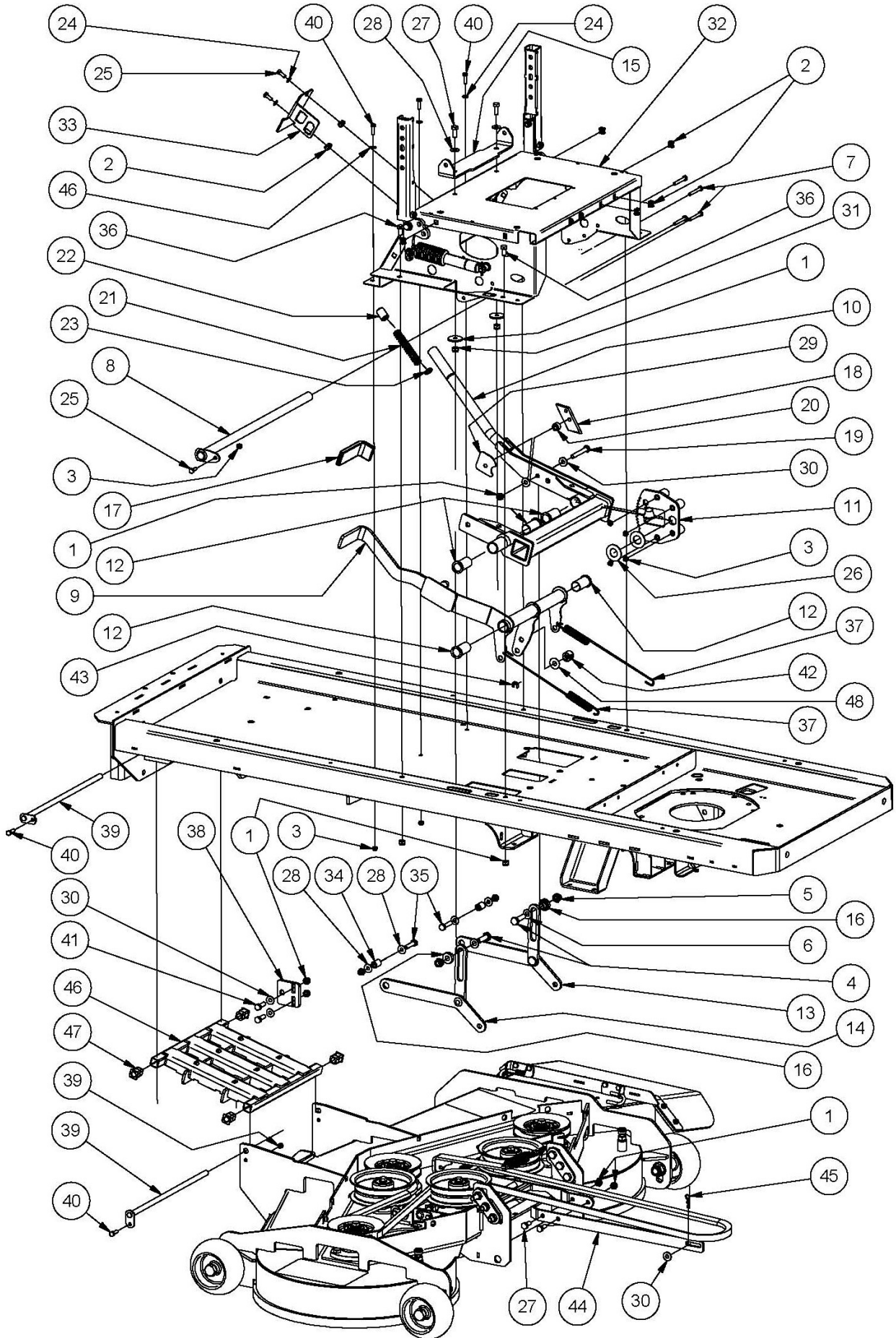
CUTTER SUSPENSION & PARK BRAKE COMPONENTS (42" ONLY)



CUTTER SUSPENSION & PARK BRAKE COMPONENTS (42" ONLY)

ITEM	PART NUMBER	DESCRIPTION	QTY
1	NM8NT	Nut	11
2	NCM6X1.6X9.5	Nut, Cage	14
3	NM6NT	Nut	9
4	B1035M	Bolt	2
5	NM8NT	Nut	9
6	NM10NT	Nut	2
7	W10MN	Washer	2
8	B0645M	Bolt	4
9	A120561Z	Pin, Pivot	1
10	A160007Z	Lever, Actuating, Brake, Park	1
11	A120541R12C	Lever, Adjusting, Height	1
12	A120543Z	Ratchet, Adjusting, Height	1
13	13012	Bush, Flanged, Nylon	5
14	A120545Z	Arm, Suspension, Right, Cutter	1
15	A120547Z	Arm, Suspension, Left, Cutter	1
16	A120549R	Bracket, Pivot, Mount, Seat	1
17	A120565Z	Bush, Pivot, Link, Suspension, Cutter	2
18	AM009	Hand Grip	1
19	AM011	Ht Adj Pawl	1
20	B0860M	Bolt	1
21	A120643Z	Spacer, Pawl, Adjustment, Height	1
22	AM012	Height Adjustment Pawl Push Rod Spring	1
23	AM013Q2	Height Adjustment Pawl Push Rod Button	1
24	A120659	Washer	1
25	W040818	Washer	5
26	SH0616M	Screw	3
27	W122414	Washer	2
28	SH0820M	Screw	2
29	W051218	Washer	4
30	A120681Z	Washer, Stop	1
31	W05M202	Washer	4
32	W052003	Washer	2
33	A120807R	Housing, Linkage, Wide	1
34	CABLETIES	Cable Ties	5
35	A120557Z12H	Bracket, Switch, Brake, Park	1
36	A120619Z	Bush, Pivot	2
37	B0835M	Bolt	2
38	SH0816M	Screw	4
39	A120642	Spring, Extension	2
40	NM6NT	Nut	5
41	A120601Z	Plate, Levelling, Cutter	1
42	13016	Pin	2
43	SH0620M	Screw	5
44	SH0825M	Screw	2
45	A120628Z	Trunnion, Clutch	1
	AM308	Spring	1
	W06MN	Washer	2
46	A120622R11L	Link, Drag, Attachment, Mowing	1
47	AM230	Bush - Plastic	4
48	C03	Circlip, Ext, "E"Type	1
49	W040818	Washer	3
50	RP01	Pin, 'R'	1
51	W05M202	Washer	1
52	W051218	Washer	6
53	WV0616	Washer, Wave	1

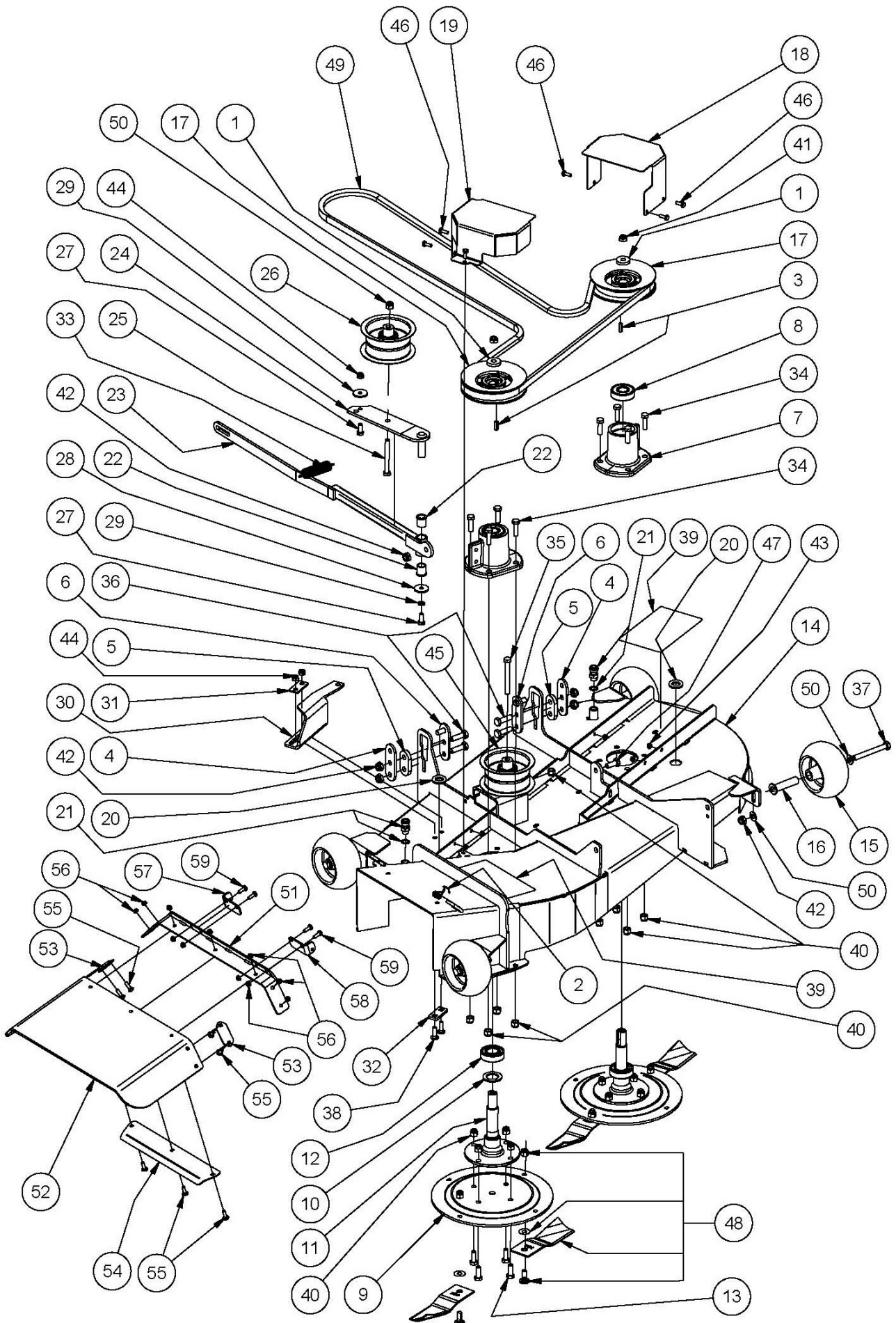
CUTTER SUSPENSION & PARK BRAKE COMPONENTS (48" ONLY)



CUTTER SUSPENSION & PARK BRAKE COMPONENTS (48" ONLY)

ITEM	PART NUMBER	DESCRIPTION	QTY
1	NM8NT	Nut, Hex, Nyloc, Thin, M 8, Pc6	9
2	NCM6X1.6X9.5	Nut, Cage, M 6, 1.6 Panel, 9.5sq Hole	14
3	NM6NT	Nut, Hex, Nyloc, Thin, M 6, Pc6 L	9
4	B1035M	Bolt, Hex, M10 X 35, Gr5	2
5	NM10NT	Nut, Hex, Nyloc, Thin, M10, Pc6	2
6	W10MN	Washer, Flat, Bright, M10x 21x1.6	2
7	B0645M	Bolt, Hex, M6x45	4
8	A120561Z	Pin, Pivot	1
9	A160007Z	Lever, Actuating, Brake, Park	1
10	A120541R12C	Lever, Adjusting, Height	1
11	A120543Z	Ratchet, Adjusting, Height	1
12	13012	Bush, Flanged, Nylon	5
13	A120545Z	Arm, Suspension, Right, Cutter	1
14	A120547Z	Arm, Suspension, Left, Cutter	1
15	A120549R	Bracket, Pivot, Mount, Seat	1
16	A120565Z	Bush, Pivot, Link, Suspension, Cutter	2
17	AM009	Hand Grip	1
18	AM011	Ht Adj Pawl	1
19	B0860M	Bolt, Hex, M 8x 60, Pc8.8	1
20	A120643Z	Spacer, Pawl, Adjustment, Height	1
21	AM012	Height Adjustment Pawl Push Rod Spring	1
22	AM013Q2	Ht Adjustment Pawl Push Rod Button	1
23	A120659	Washer, 18.5x12x1.6	1
24	W040818	Washer, Flat, Bright, 1/4"X1/2"X18g, Znpl	5
25	SH0616M	Screw, Hex, M 6x 16, Pc4.6	3
26	W122414	Washer, Flat, Bright, 3/4"X1-1/2"X 14G	2
27	SH0820M	Screw, Hex, M 8x 20, Pc8.8 L	4
28	W051218	Washer, Flat, Bright, 5/16"X3/4"X18g	4
29	A120681Z	Washer, Stop	1
30	W05M202	Washer, Flat, Bright, 5/16"X3/4"X14g	4
31	W052003	Washer, Flat, Black, 5/16"X1-1/4"X3	2
32	A120807R13C	Housing, Linkage, Wide	1
33	A120557Z12H	Bracket, Switch, Brake, Park	1
34	A120619Z	Bush, Pivot, Suspension, Deck	2
35	B0835M	Bolt, Hex, M8 X 35, Pc8.8	2
36	SH0816M	Screw, Hex, M 8x 16, Pc8.8	4
37	A120642	Spring, Extension, Park Brake	2
38	A120601Z	Plate, Levelling, Cutter	1
39	13016	Pin, 11.1 DIA X 327L	2
40	SH0620M	Screw, Hex, M 6x20, Pc4.6	5
41	SH0825M	Screw, Hex, M 8x 25, Pc8.8	2
42	A120628Z	Trunnion, Clutch	1
43	C03	Circlip, Ext, "E"Type, 8idx1.0 Thk	1
44	A156027Z	Link, Tilt, Idler	1
45	RP01	Pin, 'R'	1
46	A120622R12L	Link, Drag, Attachment, Mowing	1
47	AM230	Bush - Plastic	4
48	VV0616	Washer, Wave	1

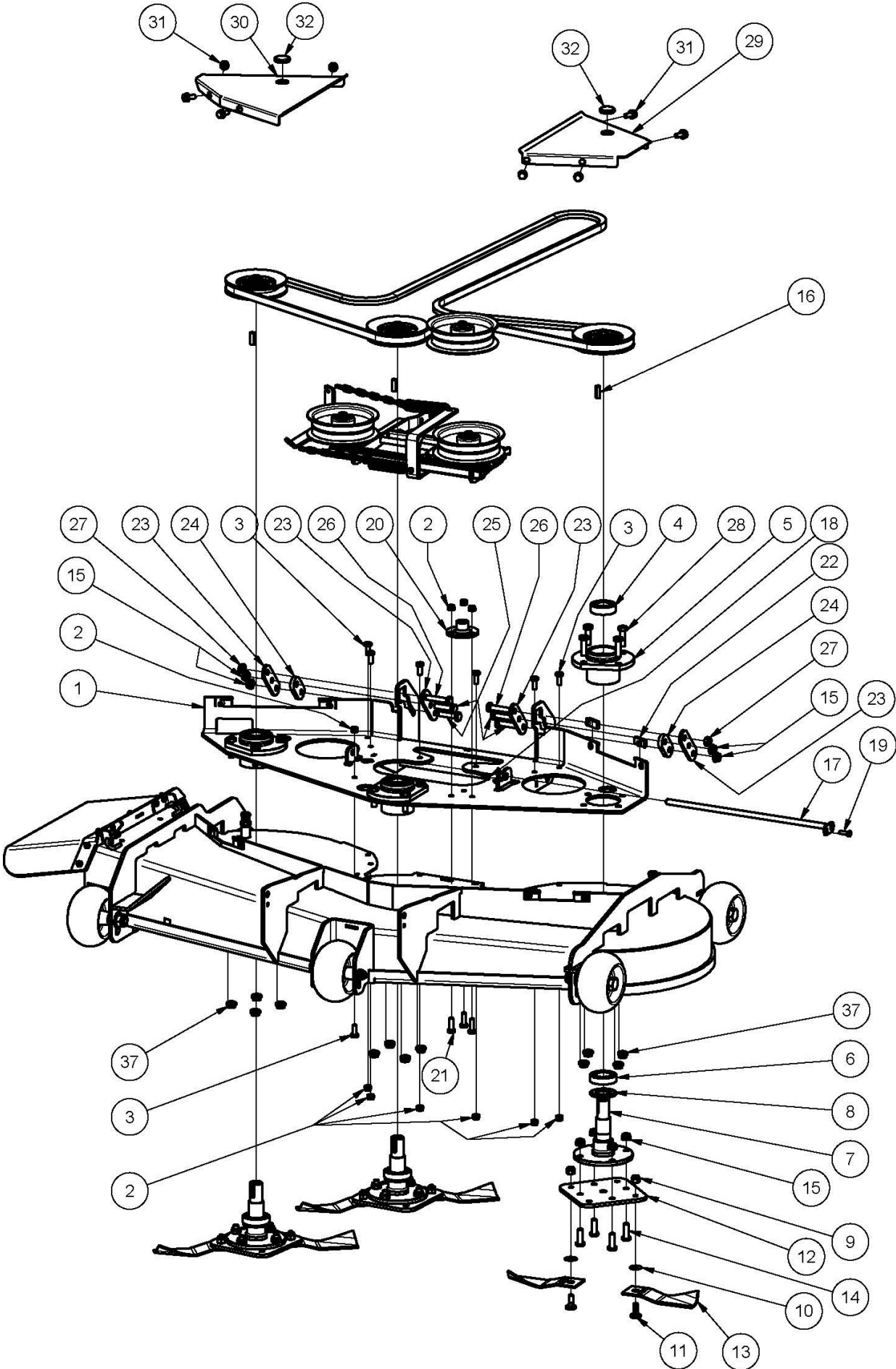
CUTTER DECK COMPONENTS (42" ONLY)



CUTTER DECK COMPONENTS (42" ONLY)

ITEM	PART NUMBER	DESCRIPTION	QTY
1	13247	Washer, Flat	2
2	A100003	Spring, Torsion, Deflector	1
3	A100025	Key	2
4	A120597Z	Plate, Link, Suspension, Cutter	2
5	A120599Z	Spacer, Clamp, Mounting, Cutter	2
6	A120638Z	Link, Suspension, Cutter	2
7	A100015B	Housing, Bearing, Flange, Guide Mount	2
8	BB205215NS	Bearing, Ball	2
9	14085	Disc, Cutter	2
10	A100021Z	Washer, Flat	2
11	A113049	Spindle, Flanged, Cutter	2
12	BB255215NN	Bearing, Ball	2
13	SH0616C	Screw	8
14	A121501R12H	Deck, Cutter, 1066 (42")	1
15	A121503	Wheel, 5"X3"	4
16	A121504Z	Sleeve, Roller, Deck, Cutter	4
17	A121506	Pulley, Cutter, CI	2
18	A121507R	Cover, Left	1
19	A121510R	Cover, Right	1
20	A121512	Grommet	2
21	A121513	Adaptor, Spray, Water	2
22	A120685	Bush, Pivot, Tensioner	2
23	A121514Z	Link, Arm, Tensioner	1
24	A121516Z	Arm, Tensioner, Belt, Cutter	1
25	B0652C	Bolt, Hex, Unc, 3/8"X3-1/4", Gr5	1
26	PIFBB04	Idler, Flat (installed rivet heads up)	1
27	SH0820M	Screw, Hex, M 8x 20, Pc8.8	1
28	W052003	Washer, Flat, Black, 5/16"X1-1/4"X3	2
29	WS050216	Washer, Lock, Spring, 5/16"X1/8"X1/16"	1
30	A121603R	Bracket, Spring, Tensioner	1
31	A121605Z	Washer, Bracket, Spring, Tensioner	1
32	A121607Z	Spacer, Bracket, Spring, Tensioner	1
33	AM040	Spring Extension	1
34	B0620C	Bolt, Hex, Unc, 3/8"X1-1/4", Gr5	8
35	B0652C	Bolt, Hex, Unc, 3/8"X3-1/4", Gr5	1
36	B1035M	Bolt, Hex, M10 X 35, Gr5	4
37	B1090M	Bolt, Hex, M10x 90, Pc8.8	4
38	BCHSNM8X25	Bolt, Cup, Sq Neck, M8 X 20 Pc4.6	2
39	DEC116	Decal, Danger, Mowing Attachment	2
40	NF06CN	Nut, Hex, Nyloc, Thick, Unc, 3/8, Grd5	22
41	NHCM10	Nut, Hex, Conelok, M10, Pc8	2
42	NM10NT	Nut, Hex, Nyloc, Thin, M10, Pc6	8
43	NM6NT	Nut, Hex, Nyloc, Thin, M 6, Pc6	6
44	NM8NT	Nut, Hex, Nyloc, Thin, M 8, Pc6	3
45	PIFBB04	Idler, Flat	1
46	SH0616M	Screw, Hex, M 6x 16, Pc4.6	6
47	SH1025M	Screw, Hex, M10 X 25, Pc 8.8	1
48	SKIT33N	Blade, Set Incl Bolt, Nuts And Washers	2
49	V58	Belt, V	1
50	W10MN	Washer, Flat, Bright, M10x 21x1.6	8
51	A156101Z	Bracket, Deflector	1
52	A156103	Deflector	1
53	A121616Z	Plate, Reinforcing	2
54	A156033Z	Support, Deflector	1
55	BCHSNM6X201	Bolt, Cup, Sq Neck, M 6x 20, Pc4.6	7
56	NM6NT	Nut, Hex, Nyloc, Thin, M 6, Pc6	11
57	A121620Z	Pivot, Deflector, Rear	1
58	A121618Z	Pivot, Deflector, Front	1
59	SH0616M	Screw, Hex, M 6x 16, Pc4.6	4

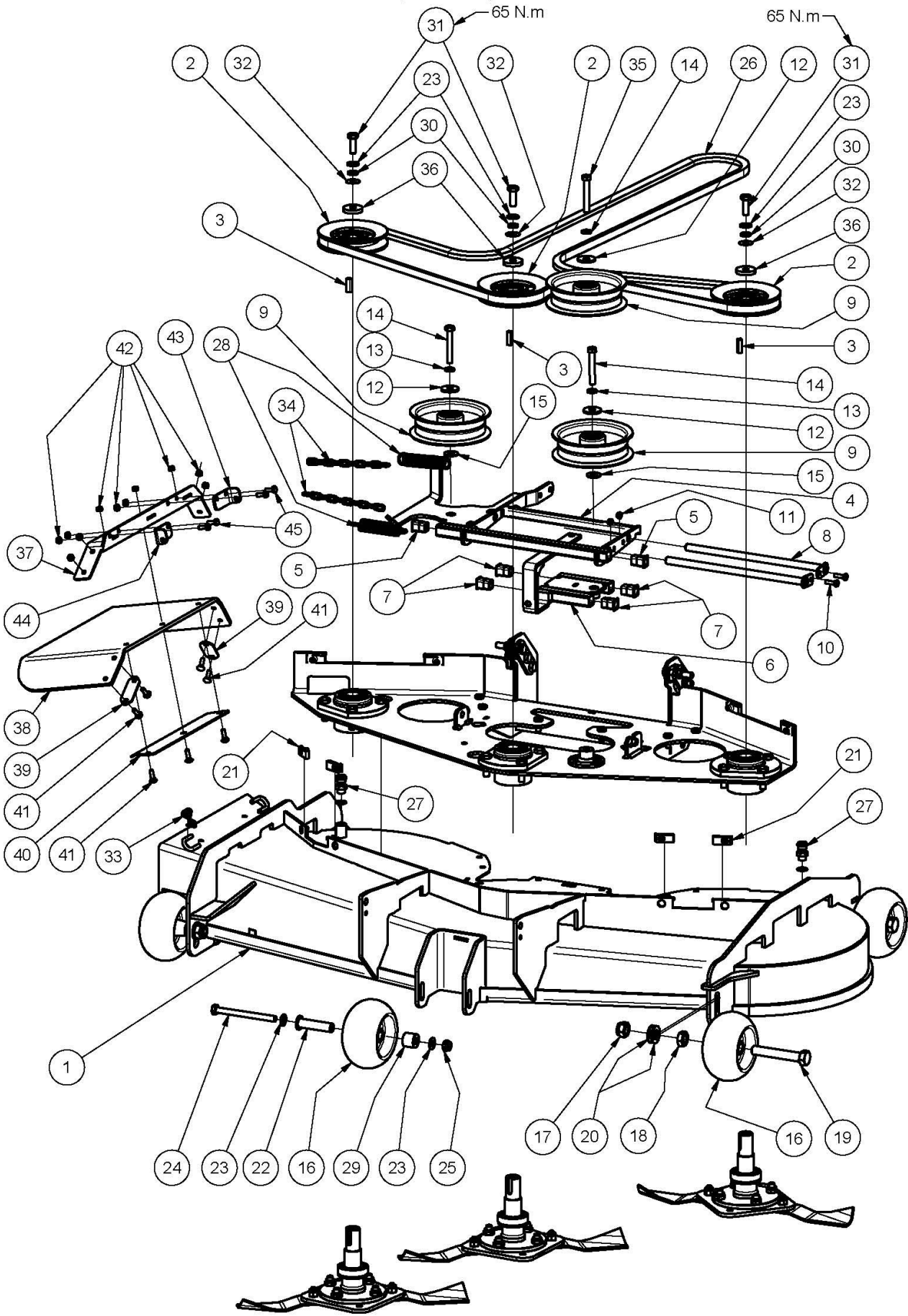
CUTTER DECK COMPONENTS view 1 (48" ONLY)



CUTTER DECK COMPONENTS view 1 (48" ONLY)

ITEM	PART NUMBER	DESCRIPTION	QTY
1	A156003R	Frame, Rear	1
2	NM8NT	Nut, Hex, Nyloc, Thin, M 8, Pc6	4
3	SH0820M	Screw, Hex, M 8x 20, Pc8.8	7
4	BB255215NN	Bearing, Ball	3
5	A156037B	Housing, Bearing, Flange, Short	3
6	BB305513NS	Bearing, Ball	3
7	A156011	Spindle, Flanged, Cutter, 1225 (48")	3
8	A156012Z	Shield, Bearing	3
9	NF06CN	Nut, Hex, Nyloc, Thick, Unc, 3/8, Grd5	6
10	WW0616	Washer, Wave	6
11	SKIT01D1	Blade Bolt, Nut & Washer Set	3
12	A156015B	Disc, Cutter	3
13	SKIT41N	Blade, Bolt, Nut & Washer Set	6
14	BHSSM10X30	Screw, Button, Hex Soc, M10x 30, Pc10.9	12
15	NM10NT	Nut, Hex, Nyloc, Thin, M10, Pc6	48
16	A156017	Key	3
17	90022	Pin, Pivot	1
18	NHCM6	Nut, Hex, Conelok, M 6, Pc8	1
19	SH0620MPC8	Screw, Hex, M 6x20, Pc4.6	1
20	A156021Z	Mount, Idler	1
21	SH0825M	Screw, Hex, M 8x 25, Pc8.8	3
22	NU204M8	Nut, U, 20x4, M8	4
23	A120597Z	Plate, Link, Suspension, Cutter	4
24	A120599Z	Spacer, Clamp, Mounting, Cutter	2
25	B1040M	Bolt, Hex, M10x40, Pc8	4
26	B1050M	Bolt, Hex, M10 X 50	2
27	NHCM10	Nut, Hex, Conelok, M10, Pc8	2
28	B1035M	Bolt, Hex, M10 X 35, Gr5	12
29	A156023R	Cover, Left	1
30	A156025R	Cover, Right	1
31	SEMSM8X20	Screw, Hex, +Washers, M8x20	8
32	A121512	Grommet	2

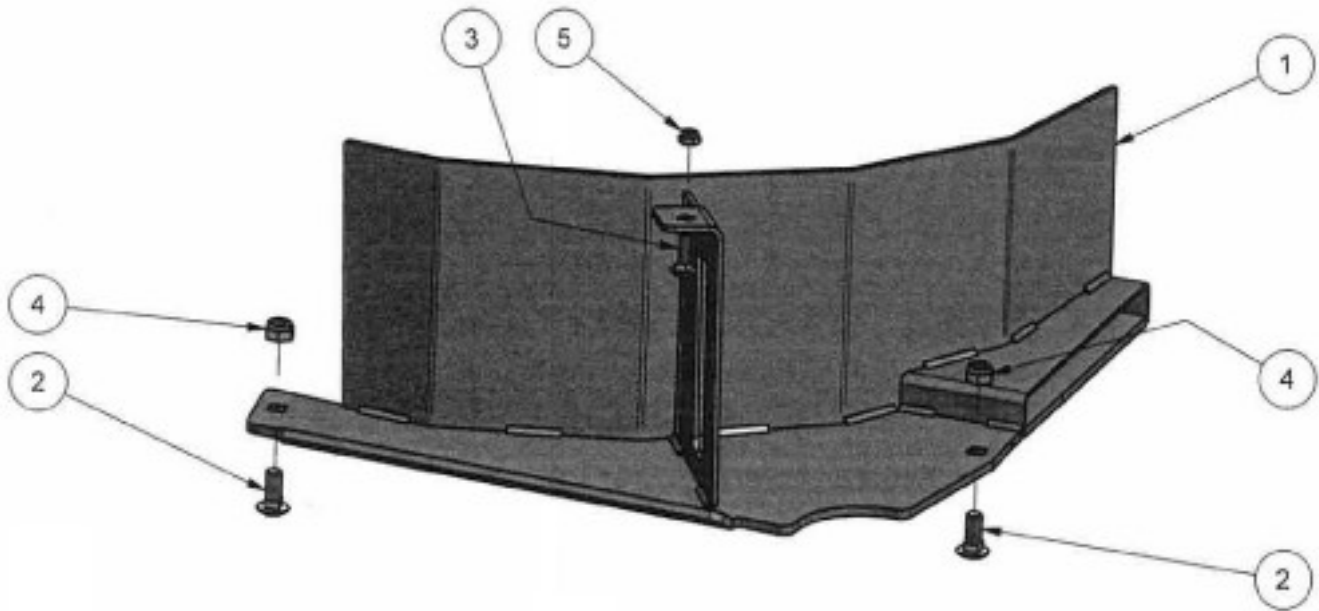
CUTTER DECK COMPONENTS view 2 (48" ONLY)



CUTTER DECK COMPONENTS view 2 (48" ONLY)

ITEM	PART NUMBER	DESCRIPTION	QTY
1	A156001R	Deck, Cutter, 1225(48")	1
2	A156010	Pulley, Cutter, CI	3
3	A156017	Key	3
4	A156005Z	Frame, Cradle, Idler	1
5	AM230	Bush - Plastic	2
6	A156007Z	Frame, Slide, Idler	1
7	14035	Bush, Square	4
8	A156018Z	Pin	2
9	PIFBB05	Idler, Flat	3
10	SH0620MPC8	Screw, Hex, M 6x20, Pc4.6	2
11	NHCM6	Nut, Hex, Conelok, M 6, Pc8	2
12	W0620HD	Washer, Flat, Black, 3/8"X1-1/4"X3	3
13	WS06081_5	Washer, Lock, Spring, 3/8"X1/8x3/32"	2
14	B0640C	Bolt, Hex, Unc, 3/8"X2-1/2", Gr5	2
15	W10M	Washer Flat	2
16	A121503	Wheel, 5"X3"	5
17	NHCM16	Nut, Hex, Conelock, M16, Pc8.8	4
18	NHM16T	Nut, Hex, Thin, M16, Pc04	4
19	B16100M	Bolt, Hex, M16x100, Pc8	4
20	W102015	Washer, Flat, Bright, 5/8"X1+1/4"X15g	8
21	NU204M8	Nut, U, 20x4, M8	8
22	A121504Z	Sleeve, Roller, Deck, Cutter	1
23	W10MN	Washer, Flat, Bright, M10x 21x1.6	5
24	B10120M	Bolt, Hex, M10x 120, Pc8.8	1
25	NM10NT	Nut, Hex, Nyloc, Thin, M10, Pc6	1
26	V62	Belt, V	1
27	A121513	Adaptor, Spray, Water	2
28	AM040	Spring Extension	2
29	A156030Z	Spacer	1
30	WSM10X3.66X2.69	Washer, Lock, Spring, M10x3.66x2.69	3
31	SH1030M10.9	Screw, Hex, M10x 30, Pc10.9	3
32	WW0616	Washer, Wave	3
33	A100003	Spring, Torsion, Deflector	1
34	A156029	Chain, Tensioner, Belt, Cutter, 10 Link	2
35	B0640C	Bolt, Hex, Unc, 3/8"X2-1/2", Gr5	1
36	W103506	Washer, Flat, Black, 10x35x6	3
37	A156101Z	Bracket, Deflector	1
38	A156103	Deflector	1
39	A121616Z	Plate, Reinforcing	2
40	A156033Z	Support, Deflector	1
41	BCHSNM6X201	Bolt, Cup, Sq Neck, M 6x 20, Pc4.6	7
42	NM6NT	Nut, Hex, Nyloc, Thin, M 6,Pc6	11
43	A121620Z	Pivot, Deflector, Rear	1
44	A121618Z	Pivot, Deflector, Front	1
45	SH0616M	Screw, Hex, M 6x 16, Pc4.6	4

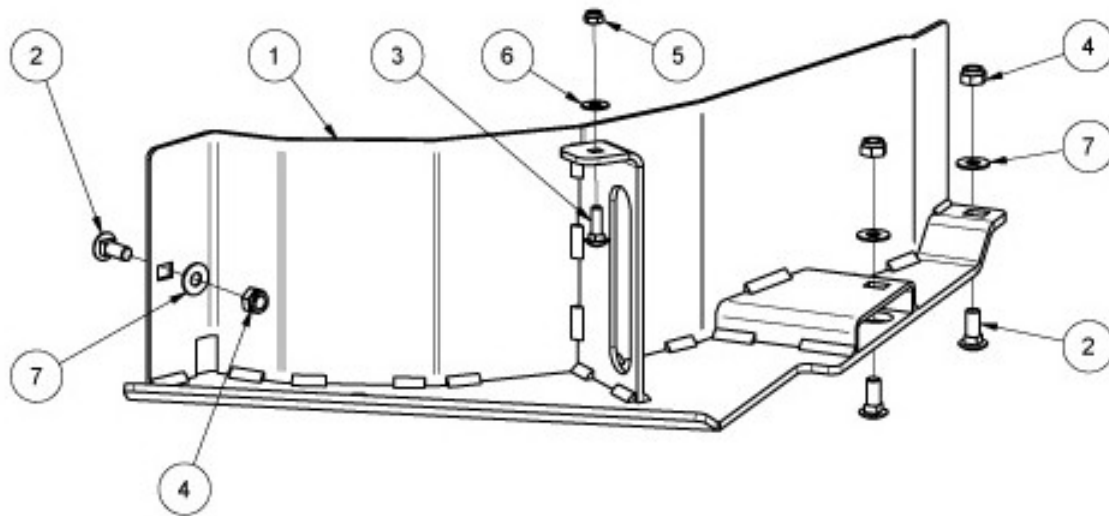
CA161: 42" MULCHING KIT (available as an accessory)



ITEM	PART NUMBER	DESCRIPTION	QTY
1	A161001R	Plug, Mulching, Red, 42"	1
2	BCHSNM8X20	Bolt, Cup, Sq Neck	3
3	BCHSNM6X201	Bolt, Cup, Sq Neck	1
4	NM8NT	Nut	3
5	NM6NT	Nut	1
***	SKIT33N	Pair, Blade+Bolt+Washer+Nut	2
	SKIT01D1	Blade Bolt & Nut Set (optional)	

*** Use SKIT33N Blades (1pr each disc) in conjunction with SKIT33N blades already fitted for optimum mulching. Replace existing blades if worn before fitting mulch kit.

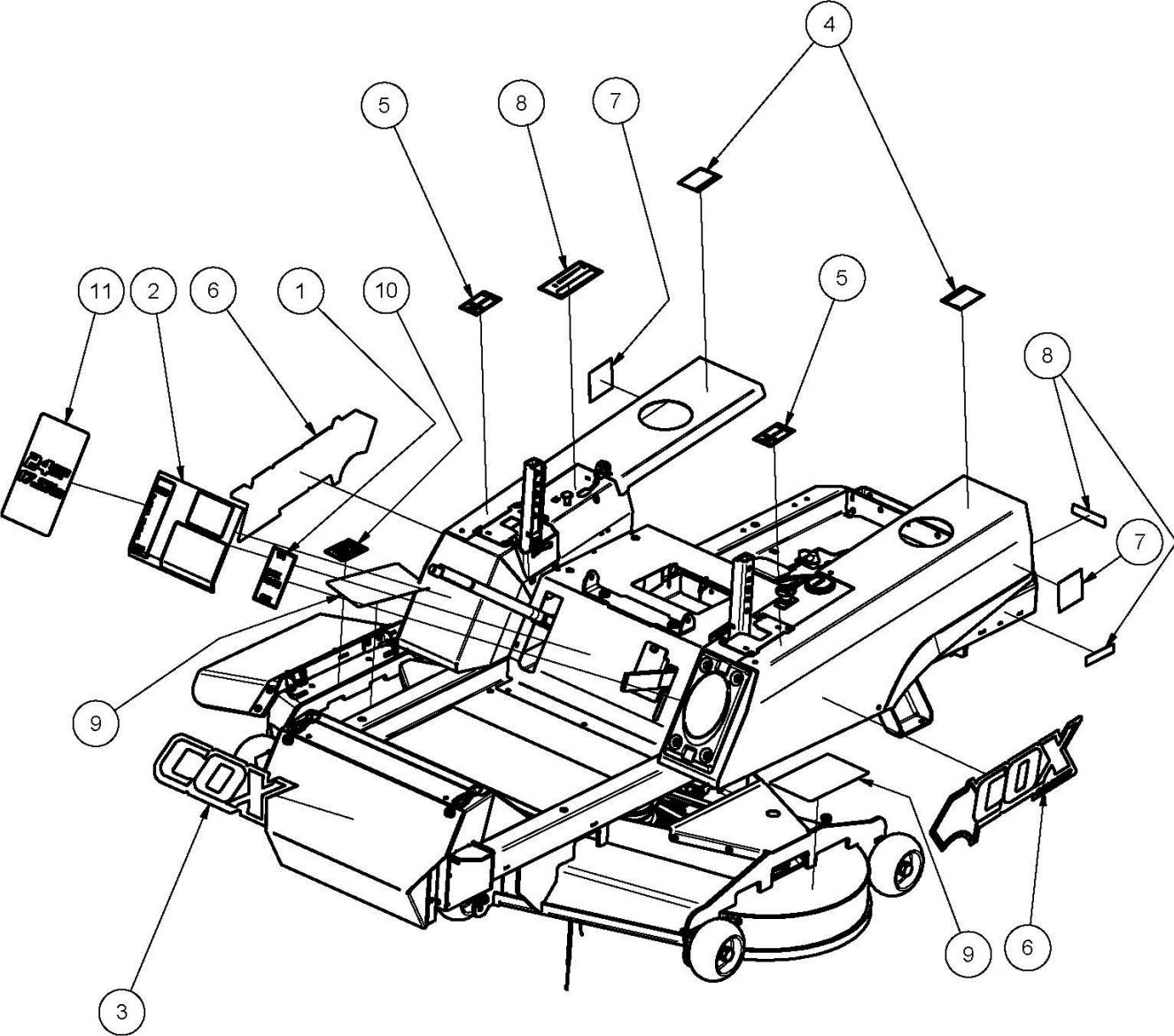
CA162: 48" MULCHING KIT (available as an accessory)



ITEM	PART NUMBER	DESCRIPTION	QTY
1	A162001R	Plug, Mulching, Red, 48"	1
2	BCHSNM8X20	Bolt, Cup, Sq Neck	3
3	BCHSNM6X201	Bolt, Cup, Sq Neck	1
4	NM8NT	Nut	3
5	NM6NT	Nut	1
6	W041018	Washer	1
7	W051218	Washer	3
8***	SKIT39N	Pair, Blade+Bolt+Washer+Nut	3
8.1	SKIT01D1	Blade Bolt & Nut Set (optional)	

*** Use SKIT39N Blades (1pr each disc) in conjunction with SKIT41N blades already fitted for optimum mulching. Replace SKIT41N blades if worn before fitting mulch kit.

DECALS



DECALS

ITEM	PART NUMBER	DESCRIPTION	QTY
1	DEC289	Decal, Park Brake	1
2	DEC288	Decal, Instruction, Starting	1
3	DEC305	Decal, Cruiser, Cox, Front	1
4	DEC08505K	Decal, Warning, Fuel	2
5	DEC287	Decal, Direction	2
6	DEC303	Decal, Cruiser, Cox, Side	2
7	DEC240	Decal, Proudly Australian, Red	2
8	DEC290	Decal, Control, Speed, Engine	1
9	DEC116	Decal, Danger, Mowing Attachment	2
10	DEC335	Decal, Ztr, 48" Cut	1
	DEC334	Decal, Ztr, 42" Cut	1
11	DEC306	Decal, Cruiser, 16hp	1
	DEC307	Decal, Cruiser, 21hp	1
	DEC308	Decal, Cruiser, 22hp	1
	DEC309	Decal, Cruiser, 23hp	1
	DEC310	Decal, Cruiser, 24hp	1



Cox Industries (Australia) Pty Ltd

**70 Landseer Street
Acacia Ridge Qld 4110
Australia**

PH 07 3323 2222 FAX 07 3344 6233

Web Site Address: www.coxmowers.com.au

Email: sales@coxmowers.com.au